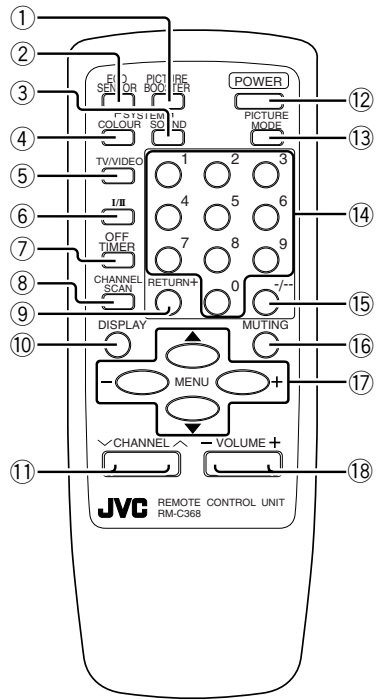


Locations

Locations of remote control buttons



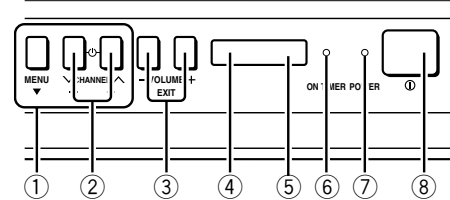
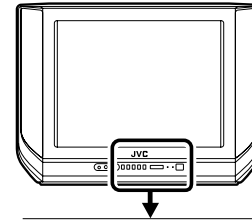
- | | | |
|---|--|-----------|
| ① | PICTURE BOOSTER button | p.16 |
| ② | ECO SENSOR button | p.17 |
| ③ | SOUND SYSTEM button | p.15 |
| ④ | COLOUR SYSTEM button | p.15 |
| ⑤ | TV/VIDEO button | p.14 |
| ⑥ | A2 Bilingual button | p.15 |
| ⑦ | OFF TIMER button | p.17 |
| ⑧ | CHANNEL SCAN button | p.18 |
| ⑨ | RETURN + button | p.18 |
| ⑩ | DISPLAY button | p.17 |
| ⑪ | CHANNEL ∇/\wedge buttons | p.12 |
| ⑫ | POWER button | p.6,12,13 |
| ⑬ | PICTURE MODE button | p.15 |
| ⑭ | Number buttons | p.12 |
| ⑮ | -/-- button | p.12 |
| ⑯ | MUTING button | p.16 |
| ⑰ | MENU buttons | |
| | • MENU $\blacktriangle/\blacktriangledown$ buttons | |
| | • MENU -/+ buttons | |
| ⑱ | VOLUME -/+ buttons | p.13 |

No. 56028

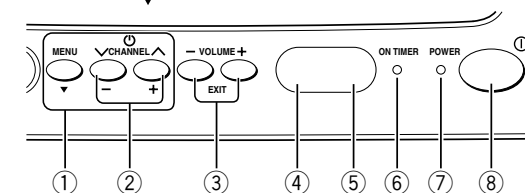
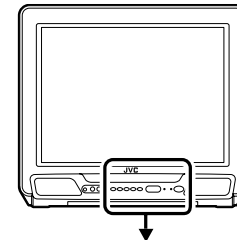
Locations

Locations of front panel buttons and lamps

<AV-21F4 / AV-20N4>



<AV-21A4>



- | | | |
|---|---------------------------------|--------|
| ① | MENU buttons | p.22 |
| | • MENU button | |
| | • MENU -/+ buttons | |
| ② | CHANNEL ∇/\wedge buttons | p.13 |
| ③ | VOLUME -/+ buttons | p.13 |
| ④ | ECO sensor | |
| ⑤ | Remote control sensor | |
| ⑥ | ON TIMER lamp | p.19 |
| ⑦ | POWER lamp | p.6,13 |
| ⑧ | Main power button | p.6,13 |

Free Manuals Download Website

<http://myh66.com>

<http://usermanuals.us>

<http://www.somanuals.com>

<http://www.4manuals.cc>

<http://www.manual-lib.com>

<http://www.404manual.com>

<http://www.luxmanual.com>

<http://aubethermostatmanual.com>

Golf course search by state

<http://golfingnear.com>

Email search by domain

<http://emailbydomain.com>

Auto manuals search

<http://auto.somanuals.com>

TV manuals search

<http://tv.somanuals.com>