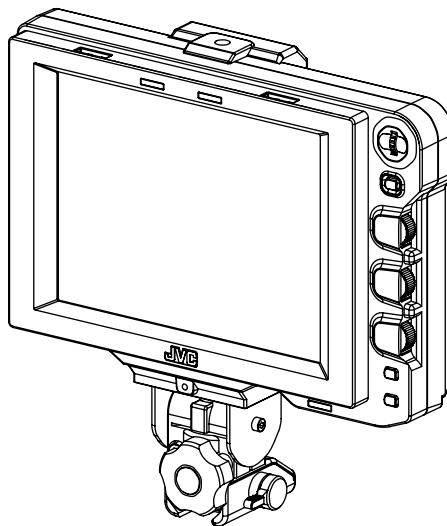




VIEWFINDER

VF-HP840U

INSTRUCTIONS



Thank you for purchasing this JVC product.
Before beginning to operate this unit, please read
the instructions carefully to ensure the best
possible performance.

For Customer Use:

Enter below the Serial No. which is located on the
body.

Retain this information for future reference.

Model No. _____

Serial No. _____

LST0662-001B

Getting Started

FOR USA

These are general **IMPORTANT SAFEGUARDS** and certain items may not apply to all appliances.

IMPORTANT SAFEGUARDS

1. Read all of these instructions.
2. Save these instructions for later use.
3. All warnings on the product and in the operating instructions should be adhered to.
4. Unplug this appliance system from the wall outlet before cleaning. Do not use liquid cleaners or aerosol cleaners. Use a damp cloth for cleaning.
5. Do not use attachments not recommended by the appliance manufacturer as they may cause hazards.
6. Do not use this appliance near water - for example, near a bathtub, washbowl, kitchen sink, or laundry tub, in a wet basement, or near a swimming pool, etc.
7. Do not place this appliance on an unstable cart, stand, or table. The appliance may fall, causing serious injury to a child or adult, and serious damage to the appliance. Use only with a cart or stand recommended by the manufacturer, or sold with the appliance. Wall or shelf mounting should follow the manufacturer's instructions, and should use a mounting kit approved by the manufacturer. An appliance and cart combination should be moved with care. Quick stops, excessive force, and uneven surfaces may cause the appliance and cart combination to overturn.
8. Slots and openings in the cabinet and the back or bottom are provided for ventilation, and to insure reliable operation of the appliance and to protect it from overheating, these openings must not be blocked or covered. The openings should never be blocked by placing the appliance on a bed, sofa, rug, or other similar surface. This appliance should never be placed near or over a radiator or heat register. This appliance should not be placed in a built-in installation such as a bookcase unless proper ventilation is provided.
9. This appliance should be operated only from the type of power source indicated on the marking label. If you are not sure of the type of power supplied to your home, consult your dealer or local power company. For appliance designed to operate from battery power, refer to the operating instructions.
10. For added protection for this product during a lightning storm, or when it is left unattended and unused for long periods of time, unplug it from the wall outlet and disconnect the antenna or cable system. This will prevent damage to the product due to lightning and power-line surges.
11. Do not allow anything to rest on the power cord. Do not locate this appliance where the cord will be abused by persons walking on it.
12. Follow all warnings and instructions marked on the appliance.
13. Do not overload wall outlets and extension cords as this can result in fire or electric shock.
14. Never push objects of any kind into this appliance through cabinet slots as they may touch dangerous voltage points or short out parts that could result in a fire or electric shock. Never spill liquid of any kind on the appliance.
15. Do not attempt to service this appliance yourself as opening or removing covers may expose you to dangerous voltage or other hazards. Refer all servicing to qualified service personnel.
16. Unplug this appliance from the wall outlet and refer servicing to qualified service personnel under the following conditions:
 - a. When the power cord or plug is damaged or frayed.
 - b. If liquid has been spilled into the appliance.
 - c. If the appliance has been exposed to rain or water.
 - d. If the appliance does not operate normally by following the operating instructions. Adjust only those controls that are covered by the operating instructions as improper adjustment of other controls may result in damage and will often require extensive work by a qualified technician to restore the appliance to normal operation.
 - e. If the appliance has been dropped or the cabinet has been damaged.
 - f. When the appliance exhibits a distinct change in performance - this indicates a need for service.
17. When replacement parts are required, be sure the service technician has used replacement parts specified by the manufacturer that have the same characteristics as the original part. Unauthorized substitutions may result in fire, electric shock, or other hazards.
18. Upon completion of any service or repairs to this appliance, ask the service technician to perform routine safety checks to determine that the appliance is in safe operating condition.

PORTABLE CART WARNING
(symbol provided by RETAC)



S3125A

Safety Precautions

FOR USA AND CANADA



CAUTION

RISK OF ELECTRIC SHOCK
DO NOT OPEN



CAUTION: TO REDUCE THE RISK OF ELECTRIC SHOCK, DO NOT REMOVE COVER (OR BACK). NO USER-SERVICEABLE PARTS INSIDE. REFER SERVICING TO QUALIFIED SERVICE PERSONNEL.



The lightning flash with arrowhead symbol, within an equilateral triangle is intended to alert the user to the presence of uninsulated "dangerous voltage" within the product's enclosure that may be of sufficient magnitude to constitute a risk of electric shock to persons.



The exclamation point within an equilateral triangle is intended to alert the user to the presence of important operating and maintenance (servicing) instructions in the literature accompanying the appliance.

Information for USA

INFORMATION:

This equipment has been tested and found to comply with the limits for a Class A digital device, pursuant to Part 15 of the FCC Rules.

These limits are designed to provide reasonable protection against harmful interference when the equipment is operated in a commercial environment.

This equipment generates, uses, and can radiate radio frequency energy and, if not installed and used in accordance with the instruction manual, may cause harmful interference to radio communications.

Operation of this equipment in a residential area is likely to cause harmful interference in which case the user will be required to correct the interference at his own expense.

CAUTION:

CHANGES OR MODIFICATIONS NOT APPROVED BY JVC COULD VOID USER'S AUTHORITY TO OPERATE THE EQUIPMENT.

NOTE:

The rating plate (serial number plate) is on this unit.

WARNING:

TO REDUCE THE RISK OF FIRE OR ELECTRIC SHOCK, DO NOT EXPOSE THIS APPLIANCE TO RAIN OR MOISTURE.

THIS DEVICE COMPLIES WITH PART 15 OF THE FCC RULES. OPERATION IS SUBJECT TO THE FOLLOWING TWO CONDITIONS: (1) THIS DEVICE MAY NOT CAUSE HARMFUL INTERFERENCE, AND (2) THIS DEVICE MUST ACCEPT ANY INTERFERENCE RECEIVED, INCLUDING INTERFERENCE THAT MAY CAUSE UNDESIRE OPERATION.

This unit should be used with 12 V DC only.

INFORMATION (FOR CANADA) RENSEIGNEMENT (POUR CANADA)

This Class A digital apparatus complies with Canadian ICES-003.

Cet appareil numérique de la Classe A est conforme à la norme NMB-003 du Canada.

WARNING:

TO REDUCE THE RISK OF FIRE OR ELECTRIC SHOCK, DO NOT EXPOSE THIS APPLIANCE TO RAIN OR MOISTURE.

This unit should be used with 12V DC only.

CAUTION:

To prevent electric shocks and fire hazards, do NOT use any other power source.

AVERTISSEMENT:

POUR EVITER LES RISQUES D'INCENDIE OU D'ELECTROCUTION, NE PAS EXPOSER L'APPAREIL A L'HUMIDITE OU A LA PLUIE.

Ce magnétoscope ne doit être utilisé que sur du courant direct en 12V.

ATTENTION:

Afin d'éviter tout risque d'incendie ou d'électrocution, ne pas utiliser d'autres sources d'alimentation électrique.

NOTE:

The rating plate (serial number plate) is on the side of the unit.

REMARQUE:

La plaque signalétique (plaque du numéro de série) est située sur le cadre inférieur de l'unité.

CAUTION:

To prevent electric shock, do not open the cabinet. No user serviceable parts inside. Refer servicing to qualified service personnel.

Due to design modifications, data given in this instruction book are subject to possible change without prior notice.

The apparatus shall not be exposed to dripping or splashing and that no objects filled with liquids, such as vases, shall be placed close to the apparatus.

IMPORTANT RECYCLING INFORMATION

This product has a fluorescent lamp that contains mercury. Disposal of these materials may be regulated in your community due to environmental considerations. For disposal or recycling information, please contact your local authorities or for USA, the Electronics Industries Alliance: <http://www.eiae.org>.

Safety Precautions (continued)

FOR EUROPE

This equipment is in conformity with the provisions and protection requirements of the corresponding European Directives. This equipment is designed for professional video appliances and can be used in the following environments:

- Controlled EMC environment (for example, purpose-built broadcasting or recording studio), and rural outdoors environments.

In order to keep the best performance and furthermore for electromagnetic compatibility we recommend to use cables not exceeding the following lengths:

	Cable	Maximum Cable Length
VF CABLE	Shield Cable	0.58 m
DC CABLE	Shield Cable	5 m
RETURN VIDEO	Shield Cable	5 m

Caution:

Where there are strong electromagnetic waves or magnetism, for example near a radio or TV transmitter, transformer, motor, etc., the picture and the sound may be disturbed. In such case, please keep the apparatus away from the sources of the disturbance.

Dear Customer,

This apparatus is in conformance with the valid European directives and standards regarding electromagnetic compatibility and electrical safety.

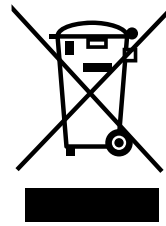
European representative of Victor Company of Japan, Limited is:
 JVC Technology Centre Europe GmbH
 Company name changed in:
 JVC Technical Services Europe GmbH
 Postfach 10 05 52
 61145 Friedberg
 Germany

Sehr geehrter Kunde, sehr geehrte Kundin,

dieses Gerät stimmt mit den gültigen europäischen Richtlinien und Normen bezüglich elektromagnetischer Verträglichkeit und elektrischer Sicherheit überein.

Die europäische Vertretung für die Victor Company of Japan, Limited ist:
 JVC Technology Centre Europe GmbH
 Firmennamen geändert in:
 JVC Technical Services Europe GmbH
 Postfach 10 05 52
 61145 Friedberg
 Deutschland

Information for Users on Disposal of Old Equipment [European Union]



Attention:

This symbol is only valid in the European Union.

This symbol indicates that the electrical and electronic equipment should not be disposed as general household waste at its end-of-life. Instead, the product should be handed over to the applicable collection point for the recycling of electrical and electronic equipment for proper treatment, recovery and recycling in accordance with your national legislation.

By disposing of this product correctly, you will help to conserve natural resources and will help prevent potential negative effects on the environment and human health which could otherwise be caused by inappropriate waste handling of this product. For more information about collection point and recycling of this product, please contact your local municipal office, your household waste disposal service or the shop where you purchased the product. Penalties may be applicable for incorrect disposal of this waste, in accordance with national legislation.

(Business users)

If you wish to dispose of this product, please visit our web page www.jvceurope.com to obtain information about the take-back of the product.

[Other Countries outside the European Union]

If you wish to dispose of this product, please do so in accordance with applicable national legislation or other rules in your country for the treatment of old electrical and electronic equipment.

FOR USE IN CHINA ONLY

《电子信息产品污染控制管理办法》规定的表示内容

关于环保使用期限



环保使用期限

- 此图标表示了中国《电子信息产品污染控制管理办法》规定的环保使用期限。只要用户在使用本产品时遵守注意事项中的各项规定，从制造日期开始到此图标标出的期限为止（环保使用期限）既不会污染环境也不会产生对人体有害的物质。

关于产品中的有毒、有害物质

零件名称	有毒或有害物质、元素					
	铅 (Pb)	水银 (Hg)	镉 (Cd)	六价铬 (Cr6+)	多溴联苯 (PBB)	多溴二苯醚 (PBDE)
线路板组件	×	○	○	○	○	○
机箱	×	○	○	○	○	○
液晶显示屏	×	×	○	○	○	○
其他附件	×	○	○	○	○	○

○：此零件中的每个均匀材料所含有毒、有害物质的量在SJ/T 11363-2006标准规定的范围之内。
 ×：此零件中至少有一种均匀材料含有毒、有害物质的量超过了SJ/T 11363-2006标准的规定。

Table of Contents

Getting Started

Safety Precautions	3
Table of Contents	5
Features	5
Precautions During Use	6
Names and Functions of Parts	7

Setup

Installation	9
Mounting on KA-HD250U	9
Connecting VF cable	9
Mounting hood cover (provided)	10
Adjusting position	10
Outputting images	10
Adjusting picture quality	10

Menu

Menu Setting Method	11
Entering camera name	11
Returning menu settings to default settings	11
Menu screen content	12
MAIN MENU Screen	12
MARKER SETTING Menu Screen	13
SHOOTING ASSIST Menu Screen	14
VIDEO FORMAT Menu Screen	15
OTHERS Menu Screen	15

Others

Precautions when using with GY-HD250U	16
Terminal Specifications	16
Setting Selection DIP Switch	17
Troubleshooting	17
Specifications	18

Features

This product is an 8.4-inch color viewfinder for use in the GY-HD250U/KA-HD250U studio system.

High Resolution

This is a large viewfinder with an 8.4-inch XGA (1024 x 768) LCD panel.

Multi Scan

Supports YPbPr (RGB) input of HD (1080i 50/60, 720p 50/60) and SD (480i 60, 576i 50). (For RGB, only SD is supported)

Return Video Input Terminal

This product is equipped with a return video input terminal and allows composite signals and HD component (Y signals only) input.

Rich Marker

The product is installed with the Safety Zone display, two types of Zebra display and the Focus Assist function, all of which are highly useful in the studio.

Screen Menu Function


The menu is displayed on the screen and you can set or adjust the most appropriate monitor settings for the connected system.

How to read this manual

■ Definition of Symbols

Caution : Precautions that need to be taken during operation

Note : Details for reference, such as features and restrictions during use.

 : Page or item to refer to.

■ Descriptions in this manual

- The copyright of this manual belongs to Victor Company of Japan, Limited. Reproduction or duplication of a part or the whole of this manual without permission is prohibited.
- Product names of other companies contained in this manual are the trademark or registered trademark of the respective companies. Symbols such as TM, [®], and [©] are omitted in this manual.
- Designs, specifications, and other details contained in this manual may be modified for improvement without prior notice.

Precautions During Use

Location of Storage and Use

- Do not place this product at the following locations. Doing so may cause the product to malfunction or break down.
 - Hot or cold places beyond the allowable operating temperature range of 0°C to +40°C.
 - Humid places beyond the allowable humidity range of 30 % RH to 80 % RH (non-condensing).
 - Places in the vicinity of a strong magnetic field, such as near transformers or motors.
 - Near equipment that emit radio waves, such as transceivers or mobile phones.
 - Places that are subject to dust or sand.
 - Places that are subject to strong vibrations.
 - Places that are susceptible to condensation, such as near windows.
 - Places that are subject to vapor or oil, such as kitchens.
 - Places that emit radioactive rays or X-rays, and corrosive gases.
- Noise may occur in the images or their colors may change when this product and the cable that is used to connect it are used at a place that is subject to strong radio or magnetic waves (e.g., near radios, TVs, transformers, or monitors).

Handling the Product

- Insufficient ventilation may result in malfunction of this product. Make sure that objects placed around this product do not obstruct its ventilation.
- Do not place containers filled with water (vases, plants, cups, cosmetics, drugs and so on) on top of this product. Water getting into the interior of the equipment may result in fire and electric shock.

Moving the Product

Remove connection cables before moving this product. When moving this product, do so after turning off the power of the connected camera, and make sure that you unplug the cable from this product. Failure to do so may damage the cable or cause fire or electric shock.

Maintenance

- Turn off the power of the connected camera before performing maintenance of this product.
- Use a soft cloth to wipe the product. Do not wipe using thinner or benzene, as doing so may cause the surface to melt or turn cloudy. When there is significant soiling, wipe using a cloth by dipping it in a neutral detergent that is diluted with water, followed by cleaning using a dry cloth.
- The exterior of this product may be altered or the paint fall off when come into contact with rubber or vinyl products for a prolonged period of time.

Energy Conservation

When this product is not used for a prolonged period of time, turn off the power of the system for safety and energy conservation purposes.

LCD Screen

Leaving the LCD screen exposed to the sun will damage the LCD screen. Do not place the product outdoors or near a window.

Do not scratch or press hard on the LCD screen, or place objects on top of the screen. Blotches may appear on the screen and lead to malfunction of the LCD panel.

When using the product in cold places, horizontal stripes and trailing images may appear or the screen may appear dark. These are not malfunctions. The screen will appear normal again when the temperature rises.

Continuous display of still images may cause residual images. The screen will return to normal after some time.

When the product is in use, the screen or cabinet may become warm. This is not a malfunction.

Bright/Dark Spots

Bright spots (red, blue or green) and dark spots that are continuously lit up may appear on the screen.

An LCD panel is manufactured with extremely precise technology. Although it consists of more than 99.99 % effective pixels, it may exhibit a very small number of continuous bright or dark spots on the screen.

Maintaining the LCD Screen

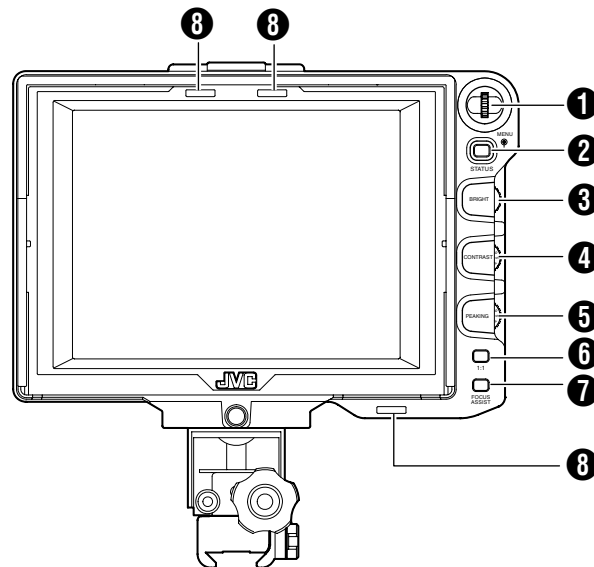
The surface of an LCD screen is specially treated to control reflections off the surface. Improper maintenance may affect the performance of the screen. As such, please adhere to the following points.

- Use a soft cloth such as a cleaning cloth or spectacles cleaning cloth to lightly wipe off any dirt on the surface of the screen.
- When there is significant soiling, wipe using a soft cloth such as a cleaning cloth or spectacles cleaning cloth, by dipping it into a little amount of water.
- Do not use alcohol, benzene, thinner, acidic, alkaline or abrasive cleaning fluid, or chemical wiping cloth to clean the screen as they will scratch the surface.

Disposal

- Do not dispose this product with other normal waste products. Do not throw the monitor into the rubbish that will be sent to the dumping-ground.
- The fluorescent tube of this product contains mercury. Follow the rules and regulations of the local authorities for disposal.

Names and Functions of Parts (Front)



1 [MENU] Dial (Button)

Scroll up and down this dial to move up and down the cursor (▶) for selecting items when the Menu screen is displayed. Press the dial to confirm the selected item.

2 [STATUS/MENU] Button

- When the normal screen is displayed, press this button to exit the status display set in the Menu (ASPECT MARKER, SAFETY ZONE, CENTER MARK, CAMERA NAME, ZEBRA). Press this button again to display the status.
- When the normal screen is displayed, press this button for more than 1 second to display the Menu screen. When the Menu screen is displayed, press this button to exit the Menu screen.

Note:

- Items where the [ASPECT MARKER], [SAFETY ZONE], [CENTER MARK], [CAMERA NAME], [ZEBRA] display are set to "OFF" in the Menu will not be displayed on the Status screen even when this button is pressed.

3 [BRIGHT] Adjustment Control

This adjusts the brightness of the screen. Turn to the right to brighten and turn to the left to darken.

4 [CONTRAST] Adjustment Control

This adjusts the contrast of the screen. Turn to the right to increase the contrast and turn to the left to decrease the contrast.

5 [PEAKING] Adjustment Control

This adjusts the peaking of the screen. Turn to the right to sharpen the contour and turn to the left to soften.

Caution:

- When this product is connected to GY-HD250U, the LCD monitor display of the camera can be changed if you turn the PEAKING control on the camera. However, the monitor display at VF-HP840U cannot be changed. PEAKING for VF-HP840U must be operated on VF-HP840U.

- When connected to GY-HD250U and [VF SIGNAL] setting at the camera is set to "RGB", [PEAKING] adjustment at the camera is forced to off.
- The above feature may not function depending on the version of the camera's software. For details, please consult JVC's authorized dealers.

6 [1 : 1] Button

Press this button to display the input video signals 1: 1 without resizing. During this display, the [ASPECT MARKER], [SAFETY ZONE], [CENTER MARK] display will be temporarily "OFF".

7 [FOCUS ASSIST] Button

Press this button to display the focused area in color. Accurate focusing can be done. (PEAKING cannot be adjusted.)

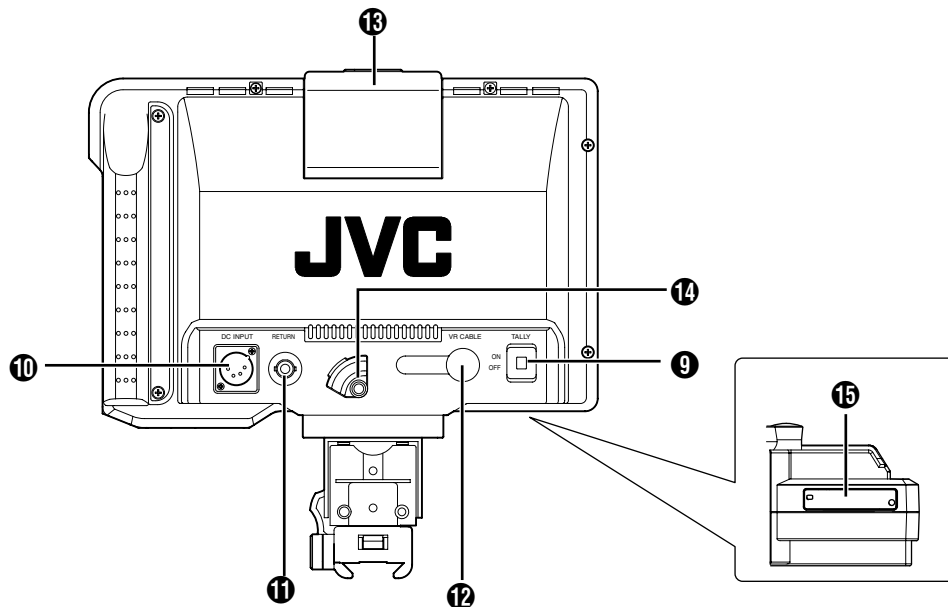
Note:

- The color and level of the focused area can be changed at the Menu screen. (Page 14)
- When connected to GY-HD250U and [VF SIGNAL] is set to "RGB" at the camera LCD/VF MENU screen, set FOCUS ASSIST at the camera to "OFF". Settings at VF will be invalid.
- When connected to GY-HD250U and the FOCUS ASSIST setting on the camera is ON, pressing the [FOCUS ASSIST] button of this product will display "PLEASE CHECK CAMERA SETTING".
- When connected to GY-HD250U, the product will not operate under the following conditions. During BARS ON, SKIN COLOR ADJUST or SKIN AREA SW ON
- When connected to GY-HD250U, as the character being output from the camera is recognized as focus area, set [ANALOG OUTPUT CHAR.] at the camera to "OFF".

8 TALLY Lamp

This displays the monitor status of the input screen in red or green. When Tally PGM (Program) signals are input, the lamp lights up in red. When Tally PVM (Preview) signals are input, the lamp lights up in green. When CALL signals are input, the lamp blinks in red.

Names and Functions of Parts (Rear)



9 [TALLY] Switch

This turns ON/OFF the TALLY lamp 13.

ON : TALLY is enabled.

OFF : TALLY is disabled.

Note:

- The TALLY lamp 13 at the screen operates regardless of this switch.

10 [DC INPUT] Terminal (XLR type, 4-pin)

This product can operate by connecting to an external power supply of DC 12 V. (When this product is connected to KA-HD250U, this terminal does not have to be connected to an external power supply.)

11 [RETURN] Input Terminal

This is an input terminal for composite video signals or component (Y only) signals. It connects the return video signals.

Note:

- Select the type of return video signals from the [RET VIDEO] item on the [VIDEO FORMAT] menu screen of this product. (Page 15)
- B&W screen will be displayed even when composite video signals are input.
- During return video signal display, status display other than [CAMERA NAME] will be "OFF".
- The above feature may not function depending on the version of the camera's software. For details, please consult JVC's authorized dealers.

12 [VF CABLE] Input Terminal

Connect this terminal to the KA-HD250U VF output terminal (20-pin) with the provided VF cable.

13 TALLY Lamp

This displays the monitor status of the input screen in red. Only when Tally PGM (Program) signals are input, the lamp lights up in red.

Note:

- Use [TALLY] switch 9 to turn ON/OFF the display function of this lamp.

14 VF CABLE HOLDER

This holder clamps down the provided VF cable when connecting the cable to the input terminal.

Note:

- Be sure to secure the VF cable with the holder as it prevents the cable from slipping during connection. (Page 9)

15 DIP Switch (Page 17)

Some functions can be specified according to the usage of individual users.

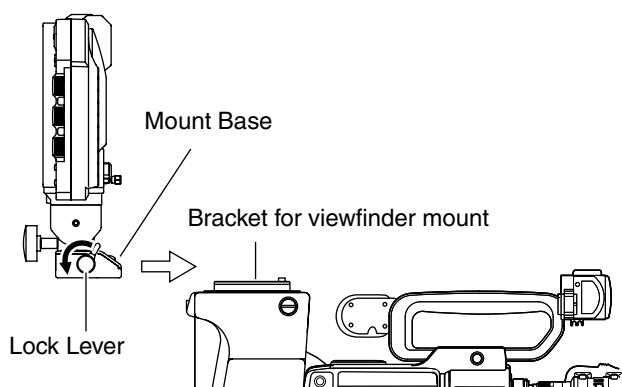
Note:

- Use the factory settings when connecting to the GY-HD250U with KA-HD250U system.

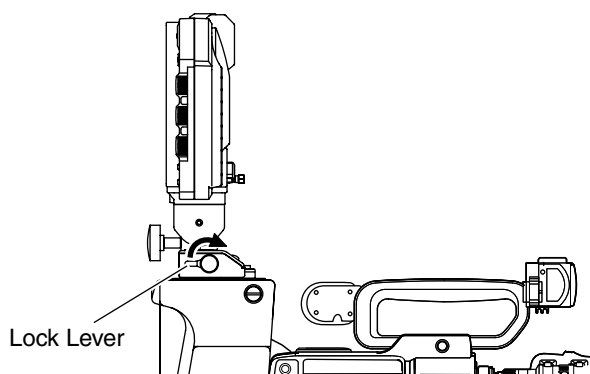
Installation

Mounting on KA-HD250U

- 1 Rotate the lock level as shown by the arrow (↺) in the diagram below.
- 2 Align the bracket for viewfinder mount on top of KA-HD250U with the groove at the viewfinder mount base and insert from the back of the camera head

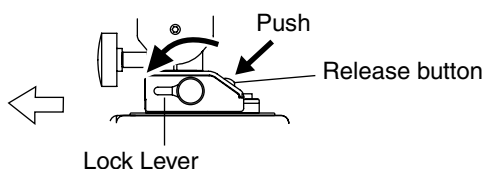


- 3 Rotate the viewfinder lock lever as shown in the direction of the arrow (↻) and secure the viewfinder to KA-HD250U.



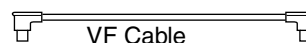
Removing the viewfinder

- 1 Rotate the lock lever in an anticlockwise direction as shown in the diagram below.
- 2 While pressing the Release button, slide the viewfinder toward the back of the camera head and remove.

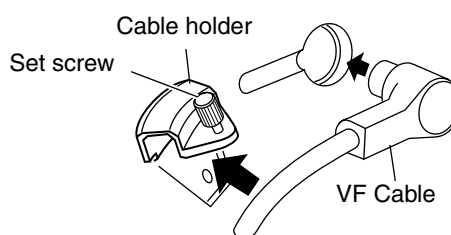


Connecting VF cable

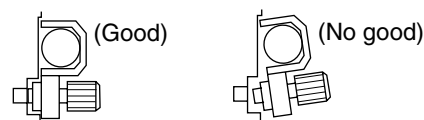
When connecting the VF cable, be sure to turn off the POWER switch on the camera or on the remote control unit first. Connect the viewfinder [VF CABLE] terminal to the KA-HD250U VF output terminal with the provided VF cable.



- 1 Insert the provided VF cable completely into the [VF CABLE] terminal.
- 2 Loosen the set screw on the cable holder, tilt the holder at an angle and insert the VF cable from the bottom into the groove on the holder.



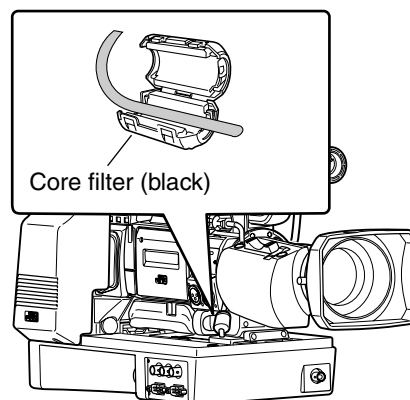
- 3 Press the cable holder squarely against the main unit and secure the set screw. If the cable holder is slanted, the set screw cannot be secured and it may damage the screw hole of the main unit.



Caution:

To reduce emission of unwanted radio waves, install a core filter on the VF cable connecting GY-HD250U and KA-HD250U.

- Use the core filter (black) provided with GY-HD250U.
- Install the core filter (black) as close as possible to KA-HD250U.



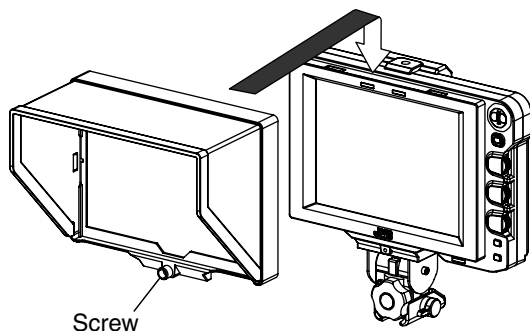
Note:

- Use KA-HD250U with identification letter from (A) onwards on the name plate for connecting to this unit. If there is no identification letter, consult JVC dealer.

Installation (continued)

Mounting hood cover (provided)

- 1 Align the hood cover with the groove on top of the viewfinder screen and insert from the top.
- 2 Secure with the screw found under the center of the viewfinder screen.

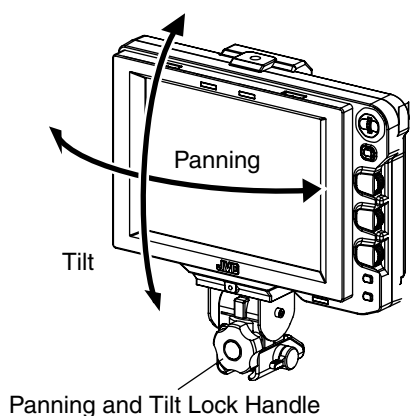


Adjusting position

- 1 To adjust the angle of the viewfinder, loosen the Pan/Tilt Lock Handle and secure it at an appropriate angle for visible viewing.

Note:

- The LCD screen may be difficult to see depending on the view angle. Use the angle right in front of the screen.



Outputting images

- 1 When setting the POWER switch on remote control or camera to "ON", image will be output on the viewfinder.

Note:

- Depending on the system environment, it may take up to 40 seconds before the image is output.

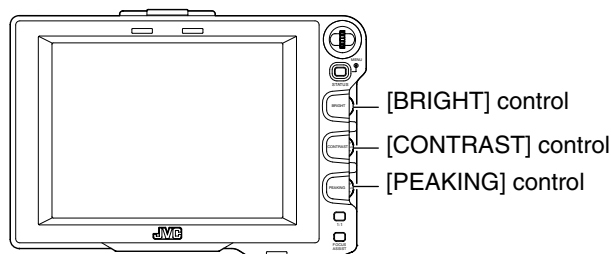
Adjusting picture quality

- 1 Turn the [BRIGHT] control to adjust the brightness of the screen.

To brighten, turn to the right.

Caution:

- If the [BRIGHT] control is turned completely to the left, images may not be output.



- 2 Turn the [CONTRAST] control to adjust the contrast of the screen.

To increase the contrast, turn to the right.

- 3 Turn the [PEAKING] control to adjust the peaking.

To sharpen the contour, turn to the right.

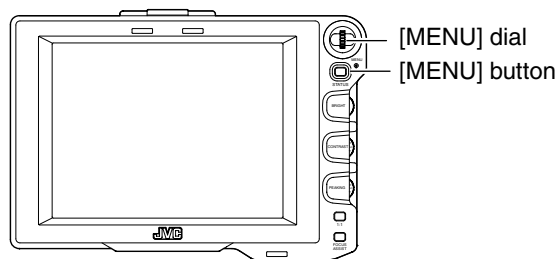
Note:

- You can adjust the frequency band where the contour is emphasized with the [PEAKING] control under the [PEAKING FREQ.] item of the [SHOOTING ASSIST] menu screen. (Page 14)

Caution:

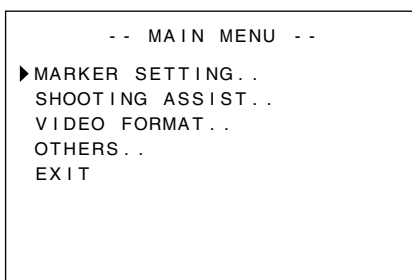
- After the power switch of the camera or the remote control unit is turned off, wait for 10 seconds and above to turn on the switch again.
- Turning ON/OFF the power switch quickly may cause malfunction.

Menu Setting Method



- 1 Press the [MENU] button for 1 second or more during normal screen display.

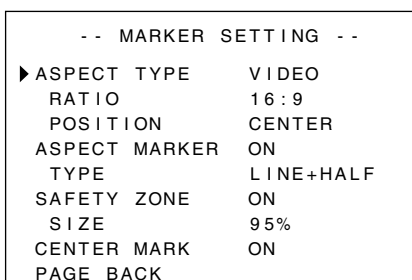
The [MAIN MENU] screen appears.



- 2 Turn the [MENU] dial to align the cursor to the menu screen you wish to set.
- 3 Press the [MENU] dial.

The selected menu screen appears.

- When the [EXIT] item on the [MAIN MENU] screen is selected, this will return to the normal screen.



- 4 Turn the [MENU] dial to align the cursor to the item for setting and press the [MENU] dial.

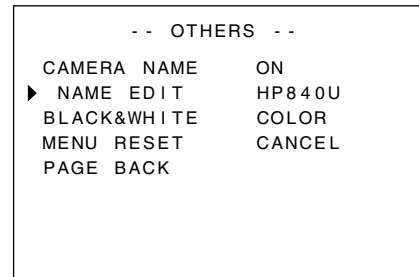
The item setting blinks.

 - When the [PAGE BACK] item on the Menu screen is selected, this will return to the [MAIN MENU] screen.
- 5 Turn the [MENU] dial to change the setting.
- 6 Press the [MENU] dial to stop the blinking of the setting.
- 7 To continue changing the settings, repeat the above steps 3 to 6.
- 8 After all settings are complete, press the [MENU] button.

This returns to the normal screen.

Entering camera name

- 1 Display the [OTHERS] menu screen.



- 2 Turn the [MENU] dial to align the cursor to the [NAME EDIT] item.
- 3 Press the [MENU] dial.

The first character blinks.
- 4 Turn the [MENU] dial to select any character.
- 5 Press the [MENU] dial to confirm the character.

The next character blinks.
- 6 Repeat the above steps 3 and 4 to enter 6 characters.

To enter a title of less than 6 characters, use space.
- 7 After all the characters are entered, press the [MENU] button.

This returns to the normal screen.

Note:

- To display the camera name on the Status screen, set the [CAMERA NAME] item in the [OTHERS] menu screen to "ON".

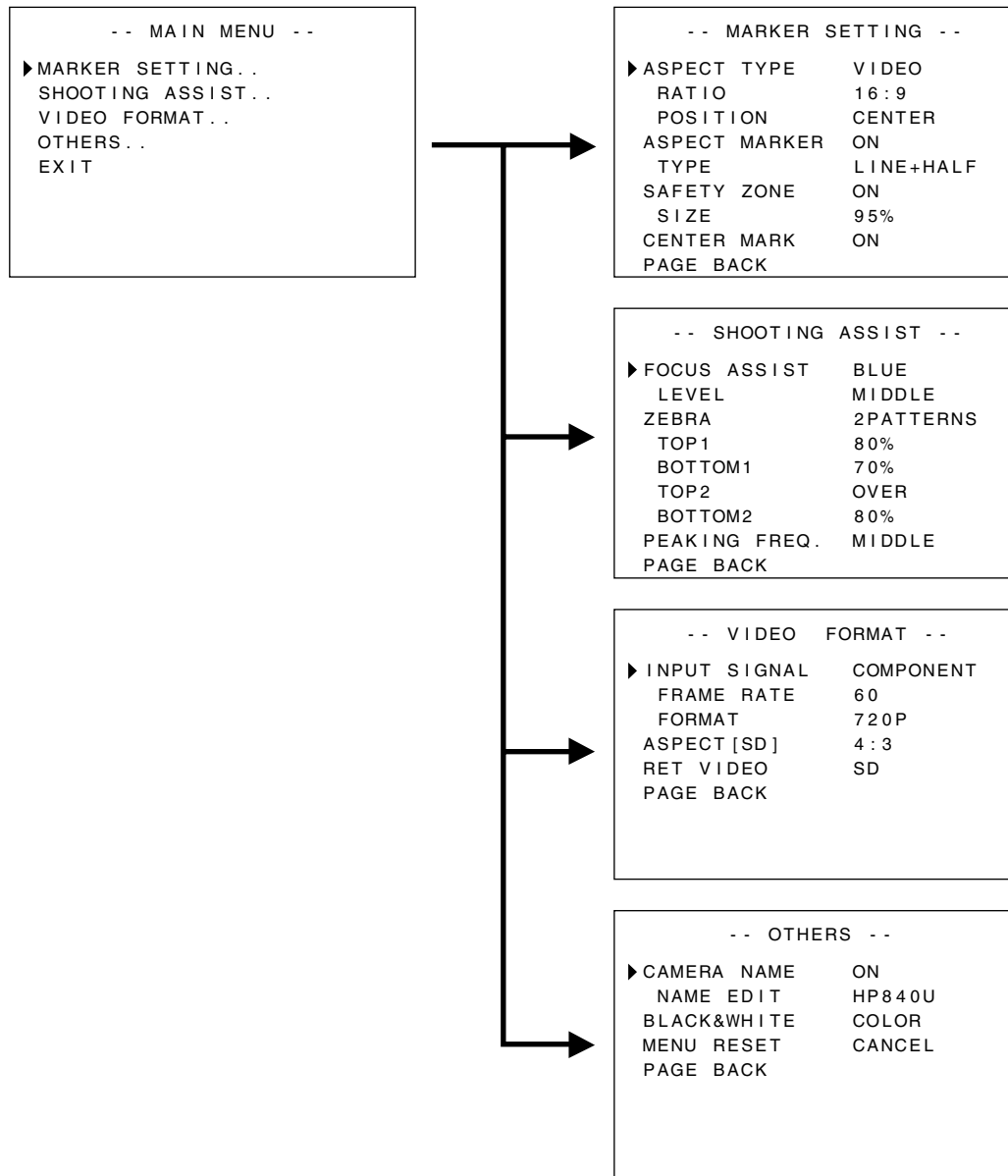
Returning menu settings to default settings

Note:

- At the [OTHERS] menu screen, set [MENU RESET] item to "EXECUTE" and press the [MENU] dial to return the menu settings to default settings.

Menu screen content

The Menu screen consists of the following structure as shown below.



MAIN MENU Screen

Menu Screen	Description
MARKER SETTING ..	This item sets the various markers to be displayed in the images.
SHOOTING ASSIST ..	This item sets the shooting assist function.
VIDEO FORMAT ..	This item sets the format for input video or return video input.
OTHERS ..	This item sets the camera name and initializes the menu.
EXIT	This returns to the normal screen.

MARKER SETTING Menu Screen

Settings in bold are factory default settings.

Item	Setting Value	Description
ASPECT TYPE	VIDEO CINEMA	This item sets the purpose of the marker. VIDEO : Aspect for TV broadcast shooting CINEMA : Aspect for cinema shooting Note: ● When the input format is 4:3, "CINEMA" cannot be selected. ([VIDEO] is displayed.)
RATIO	When ASPECT TYPE is set to "VIDEO" 16:9 4:3 14:9 16:9+4:3 When ASPECT TYPE is set to "CINEMA" 2.35:1 1:66:1 1:75:1 1:85:1	This item sets the aspect ratio of the marker. It displays the configured aspect ratio of the marker. When set to "16:9+4:3", the 16:9 and 4:3 marker are displayed at the same time. Note: ● "16:9+4:3" is displayed when the VIDEO FORMAT at the camera is HD mode.
POSITION	CENTER C.HEADRM	This item sets the display position of the marker. CENTER : Sets the display position of the marker at the center of the screen. C.HEADRM : Sets the display position of the marker at the upper side of the screen. Note: ● "C.HEADRM" can only be set when [RATIO] is "2.35:1" or "1:85:1". For other settings, [CENTER] will be displayed and setting is disabled.
ASPECT MARKER	OFF ON	This item sets the marker outside the aspect area. OFF : Cancels the marker outside the aspect area. ON : Displays the marker outside the aspect area. Note: ● When connected to GY-HD250U and [VF SIGNAL] is set to "RGB" at the camera LCD/VF MENU screen, set SAFETY ZONE at the camera to "OFF". Settings at VF will be invalid. ● When camera output is set to BARS, this function is "OFF" during Return Video display, 1:1 display and when status display is OFF.
TYPE	LINE HALFTONE LINE+HALF	This item sets the type of labeling for markers outside the aspect area. LINE : Displays the aspect area in lines. HALFTONE : Displays the image level outside the aspect area in half the brightness. LINE+HALF : Displays the aspect area in lines and sets outside the area in half the brightness.
SAFETY ZONE	OFF ON	This item sets the marker inside the aspect area. OFF : Cancels the marker inside the aspect area. ON : Displays the marker inside the aspect area. Note: ● When connected to GY-HD250U and [VF SIGNAL] is set to "RGB" at the camera LCD/VF MENU screen, set SAFETY ZONE at the camera to "OFF". Settings at VF will be invalid. ● When camera output is set to BARS, this function is "OFF" during Return Video display, 1:1 display and when status display is OFF. ● The above feature may not function depending on the version of the camera's software. For details, please consult JVC's authorized dealers.
SIZE	95 % , 93 %, 90 % 88 %, 80 %	This item sets the display percentage for markers inside the aspect area.
CENTER MARK		This item sets whether to display markers in the center. OFF : Cancels the center marker. ON : Displays the center marker. Note: ● When connected to GY-HD250U and [VF SIGNAL] is set to "RGB" at the camera LCD/VF MENU screen, set SAFETY ZONE at the camera to "OFF". Settings at VF will be invalid. ● When camera output is set to BARS, this function is "OFF" during Return Video display, 1:1 display and when status display is OFF.
PAGE BACK	—	This returns to the [MAIN MENU] screen

Menu screen content (continued)

SHOOTING ASSIST Menu Screen

Settings in bold are factory default settings.

Item	Setting Value	Description
FOCUS ASSIST	RED GREEN BLUE	This item sets the display color of the focus section when the FOCUS ASSIST function is operated. RED : Displays the focus section in red. GREEN : Displays the focus section in green. BLUE : Displays the focus section in blue. Note: ● When connected to GY-HD250U and [VF SIGNAL] is set to "RGB" at the camera LCD/VF MENU screen, set FOCUS ASSIST at the camera to "OFF". Settings at VF will be invalid.
LEVEL	LOW MIDDLE HIGH	This item sets the focus level during the FOCUS ASSIST operation. LOW : Displays the focus section. MIDDLE : Emphasizes the focus section. HIGH : Further emphasizes the focus section.
ZEBRA	OVER 1PATTERN 2PATTERNS	Select whether to display Zebra and the display format. OFF : Does not display Zebra. 1PATTERN : Displays the brightness set between [TOP1] and [BOTTOM1] in Zebra. 2PATTERNS : In addition to [1PATTERN], this displays the brightness set between [TOP2] and [BOTTOM2] in Zebra.
TOP1	5 % ~ 80 % ~ 100 % OVER	This item sets the upper limit of the brightness of Zebra 1. 5 % ~ 100 % : Displays the brightness below this setting as Zebra. (The value can be set in intervals of 5 %.) OVER : Cancels the upper limit of the brightness of the displayed Zebra. Note: ● When [ZEBRA] is set to "OFF", [----] will be displayed and setting is disabled.
BOTTOM1	0 % ~ 70 % ~ 100 %	This item sets the lower limit of the brightness of Zebra 1. 0 % ~ 100 % : Displays the brightness above this setting as Zebra. (The value can be set in intervals of 5 %.) Note: ● When [ZEBRA] is set to "OFF", [----] will be displayed and setting is disabled.
TOP2	5 % ~ 100 % OVER	This item sets the upper limit of the brightness of Zebra 2. 5 % ~ 100 % : Displays the brightness below this setting as Zebra. (The value can be set in intervals of 5 %.) OVER : Cancels the upper limit of the brightness of the displayed Zebra. Note: ● When [ZEBRA] is set to "OFF" or "1PATTERN", [----] will be displayed and setting is disabled.
BOTTOM2	0 % ~ 80 % ~ 100 %	This item sets the lower limit of the brightness of Zebra 2. 0 % ~ 100 % : Displays the brightness above this setting as Zebra. (The value can be set in intervals of 5 %.) Note: ● When [ZEBRA] is set to "OFF" or "1PATTERN", [----] will be displayed and setting is disabled.
PEAKING FREQ.	LOW MIDDLE HIGH	This item sets the frequency band where the contour is emphasized with the [PEAKING] control. LOW : Emphasizes the low frequency band. MIDDLE : Emphasizes the intermediate frequency band. HIGH : Emphasizes the high frequency band.
PAGE BACK	—	This returns to the [MAIN MENU] screen.

VIDEO FORMAT Menu Screen

Settings in bold are factory default settings.

Item	Setting Value	Description
INPUT SIGNAL	COMPONENT RGB AUTO	Select the input signal method of the [VF CABLE] terminal. COMPONENT: Inputs YPbPr signals. RGB : Inputs RGB signals. (FORMAT is fixed at [480I] or [576I].) AUTO : Automatically recognizes input signals. When the screen is not output normally with Auto Recognition, set to other setting. Note: <ul style="list-style-type: none"> The above feature may not function depending on the version of the camera's software. For details, please consult JVC's authorized dealers.
FRAME RATE	60 50	This item sets the frame rate of the input signals. 60: Select this when the frame rate of the input signals is 60 Hz. 50: Select this when the frame rate of the input signals is 50 Hz.
FORMAT	When FRAME RATE is set to 60	1080I 720P 480I
	When FRAME RATE is set to 50	1080I 720P 576I
ASPECT[SD]	4:3 16:9	This item sets the aspect of the screen display when SD signals are input. 4:3 : Displays 4:3 input signals as-is. 16:9 : Displays 4:3 images in 16:9. This is valid when the input signals are at SQUEEZE.
RET VIDEO	SD 720P 1080I	Select the signal format of the return video signals. SD : Select this during composite video signal input. Signals will be output in black and white on the monitor. 720P : Select this during HD720P Y signal input. 1080I : Select this during HD1080i Y signal input.
PAGE BACK	—	This returns to the [MAIN MENU] screen

OTHERS Menu Screen

Settings in bold are factory default settings.

Item	Setting Value	Description
CAMERA NAME	OFF ON	This item sets whether to display the camera name on the STATUS screen. OFF : Does not display. ON : Display. Note: <ul style="list-style-type: none"> The camera name is not displayed during MENU display.
NAME EDIT	A to Z, 0 to 9, - . / []	Enter the camera name. Up to 6 characters can be entered. (☞ Page 11) The default setting is "HP840U".
BLACK & WHITE	COLOR B&W	This allows the images to be viewed in black and white. COLOR : Displays color images. B&W : Displays B&W images. Note: <ul style="list-style-type: none"> When connected to GY-HD250U and [VF SIGNAL] is set to "RGB" at the camera LCD/VF MENU screen, set BLACK & WHITE at the camera to "COLOR".
MENU RESET	CANCEL EXECUTE	This item returns all menu settings to factory default settings. CANCEL : Cancels Menu Reset. EXECUTE : Executes Menu Reset.
PAGE BACK	—	This returns to the [MAIN MENU] screen.

Precautions when using with GY-HD250U

■ Items that must be set at the camera

Setting Item	Setting Value	Remarks
VF SIGNAL	Set to "RGB" or "COMPONENT"	
TALLY SYSTEM	Set to "STUDIO"	Operation is also possible with settings other than "STUDIO" *1

■ Items with restricted operation at VF-HP840U depending on camera settings

Setting Item	Setting Value	Restricted Operation
VF SIGNAL	RGB	When the following functions are valid under GY-HD250U setting, the settings in this product will be invalid. *1 SAFETY ZONE, ZEBRA, FOCUS ASSIST, BLACK & WHITE
	COMPONENT	When the following functions are valid under GY-HD250U setting, the settings in this product will be invalid. ZEBRA When connected to GY-HD250U, SKIN COLOR ADJUST screen displayed from camera cannot be adjusted via this unit. When adjustment is required, adjust via the camera.
TALLY SYSTEM	STUDIO	The TALLY lamp displays TALLY(PGM/PVM), CALL and warning from the remote control. *1
	Other than STUDIO	The TALLY lamp displays the VTR operation status and warning.

*1 The above feature may not function depending on the version of the camera's software. For details, please consult JVC's authorized dealers.

Terminal Specifications

VF Terminal

20-pin Connector

Pin No.	Name	Level	IN/OUT
1	B/Pb	1 Vp-p	IN
2	GND	—	—
3	+12 V	+12 V	IN
4	GND	—	—
5	VF ON/OFF	+12 V	IN
6	G/Y	1 Vp-p	IN
7	GND	—	—
8	RM TALLY	+3 V	IN
9	RM PREVIEW TALLY	+3 V	IN
10	SDATA OUT	+3 V	OUT
11	R/Pr	1 Vp-p	IN
12	GND	—	—
13	SCLK	+3 V	IN
14	SDATA IN	+3 V	IN
15	SCS	+3 V	IN
16	+12 V	+12 V	IN
17	GND	—	—
18	NC	—	—
19	COM.DET	0 V	IN
20	NC	—	—

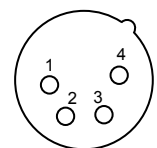
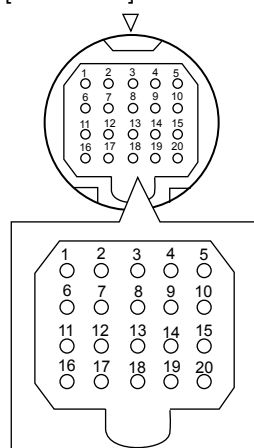
DC INPUT Terminal

4-pin Connector

Pin No.	Name	Level	IN/OUT
1	GND	—	—
2	NC	—	—
3	NC	—	—
4	+12 V	+12 V	IN

[VF CABLE] connector

[DC INPUT] connector



Setting Selection DIP Switch

You can switch the setting (factory setting) for certain functions. All DIP switches are set to "OFF" in the factory settings.

Method of opening

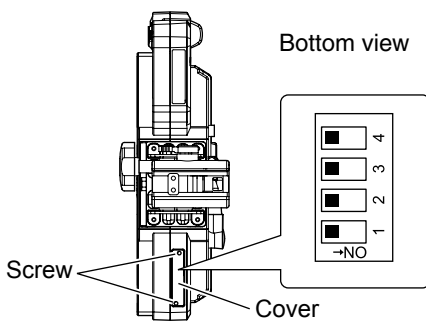
Remove the two screws fastening the cover on the bottom of this product and open the cover.

Caution:

- Be sure to turn off the power before changing the settings of the DIP switches.

Note:

- Use the factory settings when connecting to the GY-HD250U with KA-HD250U system.



■ DIP Switch 1

Setting for the power supply function

Function	Setting to ON/OFF the backlight function when the power is supplied from the [DC INPUT].		
Setting	OFF	<input type="checkbox"/>	To ON/OFF the backlight relative to the [POWER] switch on the camera.
	ON	<input checked="" type="checkbox"/>	Does not OFF the backlight even when the [POWER] switch on the camera is set to OFF.

■ DIP Switch 2

Reserved switch. Make sure that this is set to "OFF" during use.

■ DIP Switch 3

Reserved switch. Make sure that this is set to "OFF" during use.

■ DIP Switch 4

Setting for the 75Ω termination function

Function	Setting to ON/OFF the 75Ω termination for the input video signals (excluding return video signals).		
Setting	OFF	<input type="checkbox"/>	With 75Ω termination
	ON	<input checked="" type="checkbox"/>	Without 75Ω termination (Set to "ON" when connecting to KA-HD250U.)

Troubleshooting

Troubleshooting	Check Point
Power does not turn on	Insert the VF cable or power cable fully. Turn on the power supply of GY-HD250U/RM-HP250U.
There are no images.	Insert the VF cable fully. Turn on the power supply of GY-HD250U/RM-HP250U and set the correct settings.
The color is funny/There is no color	Insert the VF cable or power cable fully. Adjust the [CONTRAST] and [BRIGHT] of the image adjustment controls. Are the settings for VF SIGNAL at the camera and those for INPUT SIGNAL at VF-HP840U wrong? Set the correct settings.
Blurry images	Adjust the [BRIGHT] and [PEAKING] of the image adjustment controls.
The field angle size of the viewfinder is wrong	Check the settings on page 15.
The images appear to be in chaos	Check the settings on page 15.
Zebra display is incorrect	Is the Zebra setting at the camera set to "ON"? Set to "OFF". See page 14.
When the [FOCUS ASSIST] button is pressed, "PLEASE CHECK CAMERA SETTING" is displayed.	Set the FOCUS ASSIST function on the camera to "OFF".

Specifications

■ General

Connected Target Equipment	: KA-HD250U
Power Supply	: 12 V DC (11 V DC to 18 V DC)
Power Consumption	: Approx. 13 W and below
Ambient Temperature	: 0 °C to 40 °C
Allowable Operating Humidity	: 30 % RH to 80 % RH
Mass	: 1.6 kg (excluding hood) 1.9 kg (including hood)
Dimension	: W 261 x D 96 x H 261 mm (excluding hood) W 261 x D 195 x H 261 mm (including hood)

■ LCD Specifications

Screen Size	: 8.4 Inch
Aspect Ratio	: 4:3
LCD Panel	: TFT-LCD
Resolution	: 1024 x 768 dots (XGA)
Display Color	: Approx. 16.77 million colors
View Angle (Standard)	: 60°/50°/65°/65° (Top/Bottom/Left/Right)
Brightness	: 300 cd/m ²
Contrast Ratio	: 400:1
Supported Video Signal Format	: 480/60i (NTSC), 720/60P, 1080/60i, 576/50i (PAL), 720/50P, 1080/50i

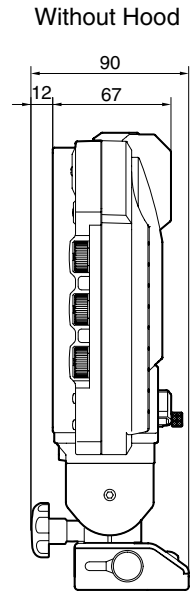
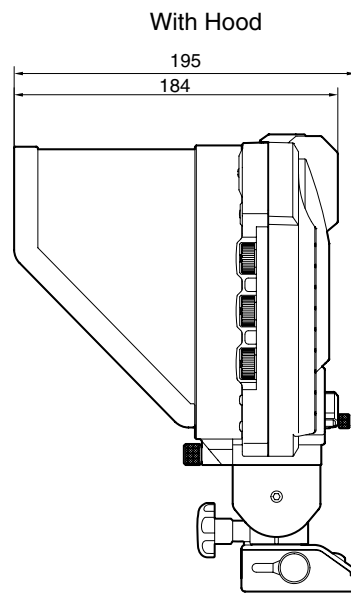
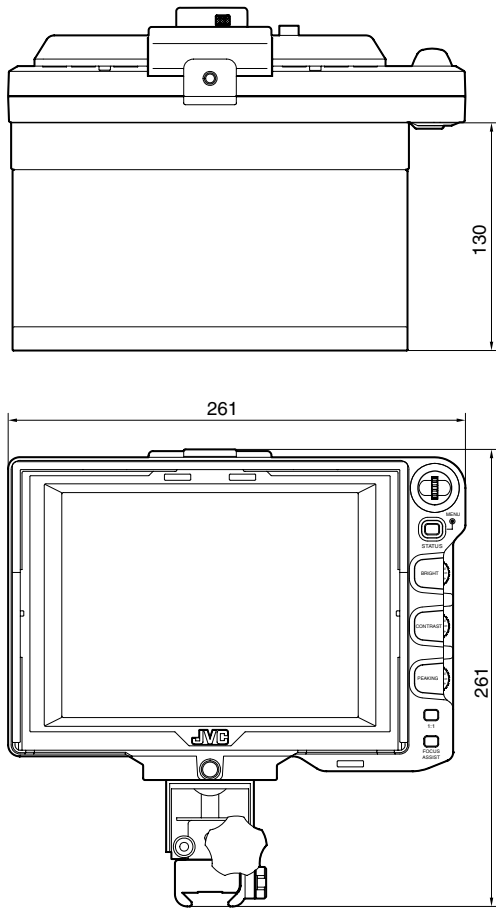
■ Input Terminal

Return Video Input	: Composite signals or HDTV component signals (Y signal only) 1 V(p-p), 75 Ω, unbalanced (BNC)
DC INPUT	: 12 V DC, 1.08 A and below

■ Accessories

Instruction Manual	1
Warranty Card	1
VF Cable	1
Hood Cover	1

Dimensional Outline Drawing (Unit: mm)



The specifications and appearance of this product and other related products may be modified for improvement without prior notice.

VF-HP840U

VIEWFINDER

演播室LCD寻像器

JVC

贩卖商名 杰伟世（中国）投资有限公司

住址 北京市朝阳区光华路 12A 号北京科伦大厦 316 室

出版日 2008 年 2 月 1 日

日本 JVC 公司

© 2008 Victor Company of Japan, Limited

LST0662-001B

Free Manuals Download Website

<http://myh66.com>

<http://usermanuals.us>

<http://www.somanuals.com>

<http://www.4manuals.cc>

<http://www.manual-lib.com>

<http://www.404manual.com>

<http://www.luxmanual.com>

<http://aubethermostatmanual.com>

Golf course search by state

<http://golfingnear.com>

Email search by domain

<http://emailbydomain.com>

Auto manuals search

<http://auto.somanuals.com>

TV manuals search

<http://tv.somanuals.com>