

# CS-HX7 Series



## CS-HX6957X

6" x 9" 5-Way Coaxial Speakers

## CS-HX6947X

6" x 9" 4-Way Coaxial Speakers

## CS-HX647X

6.5" 4-Way Coaxial Speakers

## CS-HX637X

6.5" 3-Way Coaxial Speakers

## CS-HX537X

5-1/4" 3-Way Coaxial Speakers

Shallow & Slim Design

Various Installation

Twin Roll Surround

Universal Mounting Frame  
(HX647X/HX637X)

3-Way Installation

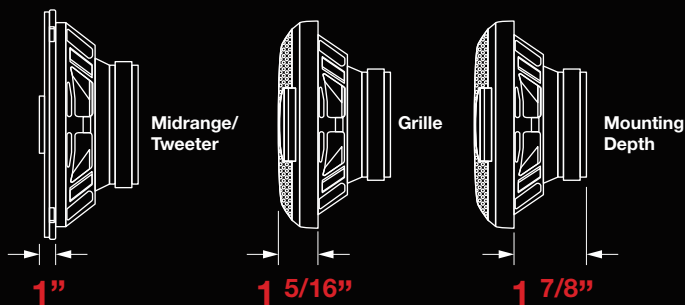
### Key Benefits

The slim and shallow design of the speakers allows easier installation for various vehicles, while the Twin Roll Surround provides enhanced performance for a wide range of sound quality.

### Various Installation

#### Shallow & Slim Size

The speakers are designed with a shallower midrange and grille for a slim mounting depth, which can fit various types of cars.



### 3-Way Installation

The HX Series speakers can be mounted in three different ways, according to your taste and listening style.

- Standard Installation
- Installation with Grille
- Installation with Net



### Universal Mounting Frame

The CS-HX647X and CS-HX637X come with the Universal Mounting Frame, which offers flexible installation options for a wider range of vehicles.

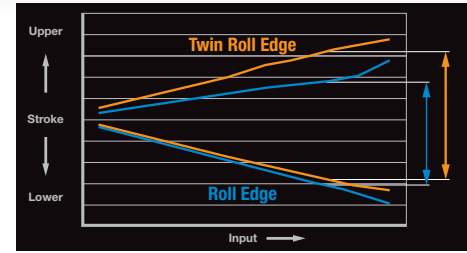


Speakers

# cs-HX7 Series

## Twin Roll Surround

The Twin Roll Surround can move in vertically symmetrical amplitudes. This offers increased total amplitude, better sound pressure, and less distortion, which enables the speakers to deliver every sound from low to high frequencies.

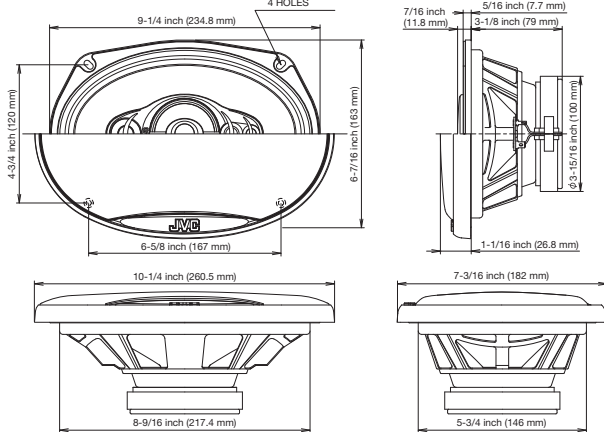


## Key Specifications

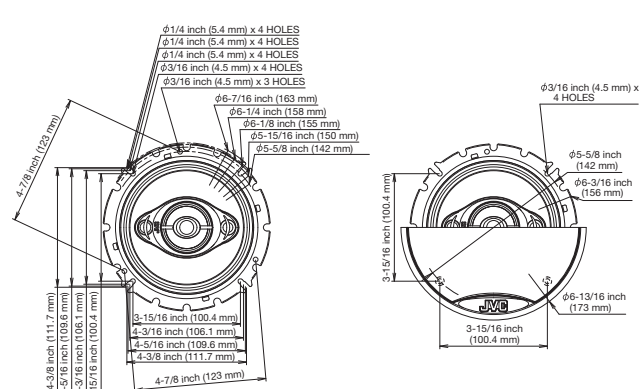
	CS-HX6957X	CS-HX6947X	CS-HX647X	CS-HX637X	CS-HX537X
<b>Woofer</b>					
Type	5-Way Coaxial	4-Way Coaxial	4-Way Coaxial	3-Way Coaxial	3-Way Coaxial
Size	6" x 9" (15 x 23 cm)	6" x 9" (15 x 23 cm)	6 1/2" (16 cm)	6 1/2" (16 cm)	5 1/4" (13 cm)
Woofer Cone	Aramid Fiber + Carbon Fiber Composite Olefine	Aramid Fiber + Carbon Fiber Composite Olefine	Aramid Fiber + Carbon Fiber Composite Olefine	Aramid Fiber + Carbon Fiber Composite Olefine	Aramid Fiber + Carbon Fiber Composite Olefine
Twin Roll Butyl Rubber Edge	✓	✓	✓	✓	✓
Magnet	Strontium (15.7 oz)	Strontium (15.7 oz)	Strontium (10 oz)	Strontium (6.4 oz)	Strontium (5.4 oz)
<b>Midrange</b>					
Size	2 21/32" (6.7 cm)	2 21/32" (6.7 cm)	1 31/32" (5 cm)	1 31/32" (5 cm)	1 31/32" (5 cm)
HHC Cone	✓	✓	✓	✓	✓
Free Edge	✓	✓	✓	✓	✓
Magnet	Strontium	Strontium	Neodymium	Neodymium	Neodymium
<b>Tweeter</b>					
Size	1" (2.5 cm)	1" (2.5 cm)	1 9/32" (1.5 cm)	1/2" (1.2 cm)	1/2" (1.2 cm)
Type	Poly-Ether Imide Balanced	Poly-Ether Imide Balanced	Poly-Ether Imide Dome	Poly-Ether Imide Dome	Poly-Ether Imide Dome
Magnet	Neodymium	Neodymium			
<b>Super Tweeter</b>					
Size	1 9/32" (1.5 cm)	1 9/32" (1.5 cm)	1/2" (1.2 cm)		
Type	Poly-Ether Imide Dome	Poly-Ether Imide Dome	Poly-Ether Imide Dome		
<b>Super Tweeter 2</b>					
Size	1/2" (1.2 cm)				
Type	Poly-Ether Imide Dome				
<b>General</b>					
Frequency Response	25 - 30,000Hz	25 - 30,000Hz	30 - 25,000Hz	30 - 25,000Hz	30 - 25,000Hz
Crossover Frequency	4, 8, 12, 15kHz	4, 8, 12kHz	4, 8, 12kHz	5, 8kHz	5, 8kHz
Power Handling Capacity (Peak)	510W	490W	310W	250W	230W
Power Handling Capacity (RMS)	80W	80W	50W	40W	40W
Impedance	4Ω	4Ω	4Ω	4Ω	4Ω
Sound Pressure Level	87 dB/W.m	87 dB/W.m	86 dB/W.m	86 dB/W.m	85 dB/W.m
Mounting Depth	3 1/8" (79 mm)	3 1/8" (79 mm)	2 1/4" (57 mm)	1 3/4" (44 mm)	1 25/32" (44.5 mm)

Ω

CS-HX6957X/CS-HX6947X



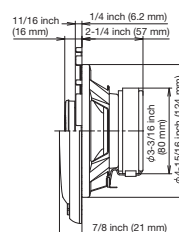
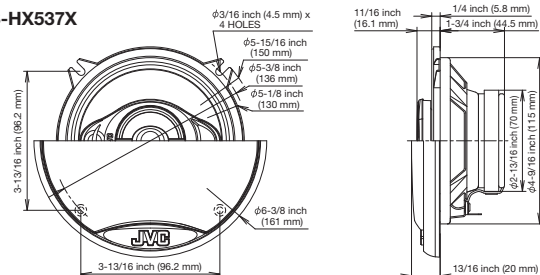
CS-HX647X/CS-HX637X



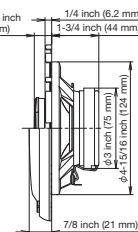
\* CS-HX637 is 3-way type

\* CS-HX6947X is 4-way type

CS-HX537X



CS-HX647X



CS-HX637X

## Free Manuals Download Website

<http://myh66.com>

<http://usermanuals.us>

<http://www.somanuals.com>

<http://www.4manuals.cc>

<http://www.manual-lib.com>

<http://www.404manual.com>

<http://www.luxmanual.com>

<http://aubethermostatmanual.com>

Golf course search by state

<http://golfingnear.com>

Email search by domain

<http://emailbydomain.com>

Auto manuals search

<http://auto.somanuals.com>

TV manuals search

<http://tv.somanuals.com>