

cs-V6 Series



CS-V6946

6" x 9" 4-Way Coaxial Speakers

CS-V6936

6" x 9" 3-Way Coaxial Speakers

CS-V626

6-1/2" 2-Way Coaxial Speakers

CS-V526

5-1/4" 2-Way Coaxial Speakers

CS-V426

4" 2-Way Coaxial Speakers

Stylish Design

Easy Fit

Twin Roll Surround

Key Benefits

The slim and shallow speaker lineup offers audiophile sound for various types of cars, in stylish design either with the punching net on or off.

*Twin Roll Surround

The Twin Roll Surround can move in vertically symmetrical amplitudes. This offers increased total amplitude, better sound pressure, and less distortion, which enables the speakers to deliver every sound from low to high frequencies.



*Stylish Design

The V6 Series Speakers feature a 2-way design, letting you choose the style that suits your taste. You can fix the black, full-covering punching net, or show off the black frame designed grille and blue woofer cone without the punching net.



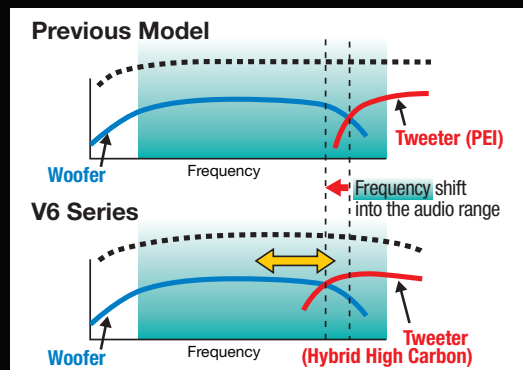
Without punching net



With punching net

*Frequency of the 2-Way Speakers

The improved crossover between the woofer and tweeter cuts the excess ultra-high range, enhancing the mid-range signals.



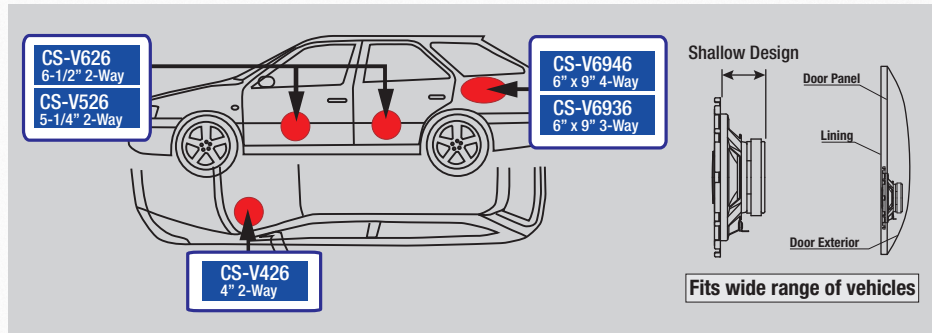
MOBILE ENTERTAINMENT

Speakers

cs-V6 Series

★ Easy Fit

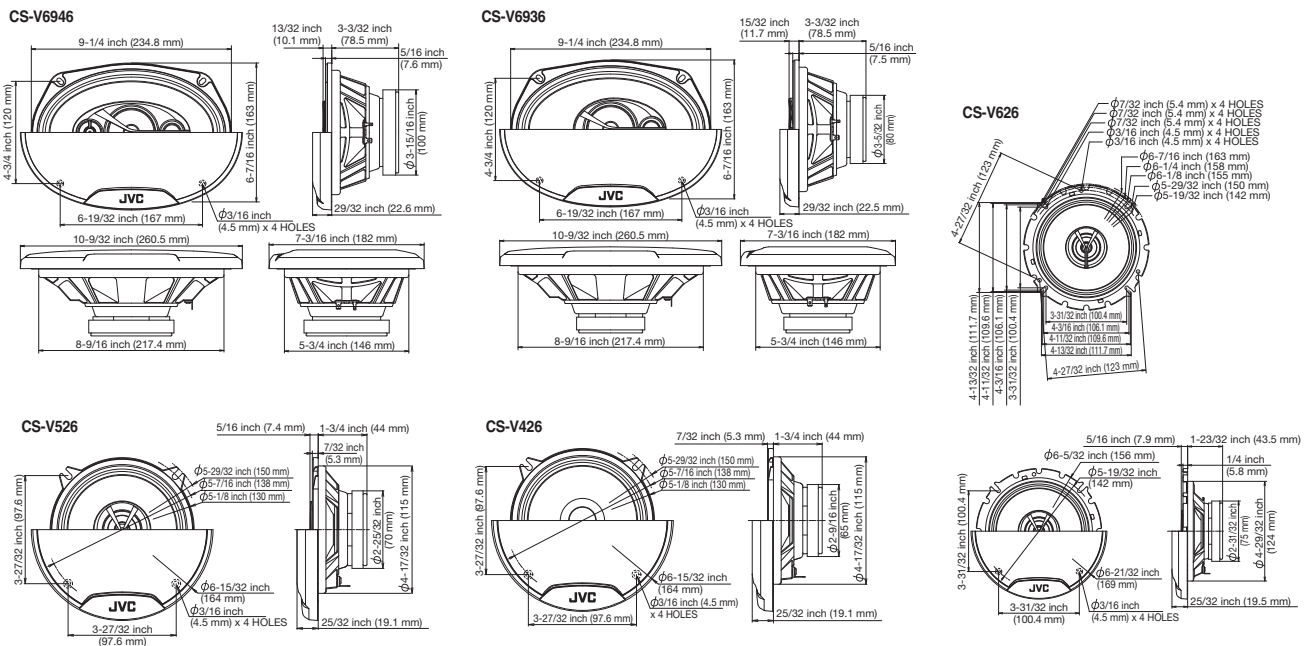
The V6 Series Speakers come in a full range of sizes, allowing easy installation in all kinds of places for various types of cars. The mounting depth is much shallower than the previous models to fit a wider range of cars.



Key Specifications

	CS-V6946	CS-V6936	CS-V626	CS-V526	CS-V426
Woofer					
Type	4-Way Coaxial	3-Way Coaxial	2-Way Coaxial	2-Way Coaxial	2-Way Coaxial
Size	6" x 9" (15 x 23 cm)	6" x 9" (15 x 23 cm)	6 1/2" (16 cm)	5 1/4" (13 cm)	4" (10 cm)
Woofer Cone	Aramid Fiber + Carbon Fiber Composite Olefin	Aramid Fiber + Carbon Fiber Composite Olefin	Aramid Fiber + Carbon Fiber Composite Olefin	Aramid Fiber + Carbon Fiber Composite Olefin	Aramid Fiber + Carbon Fiber Composite Olefin
Twin Roll Rubber Edge	✓	✓	✓	✓	✓
Magnet	Strontium (15.7 oz)	Strontium (10 oz)	Strontium (6.4 oz)	Strontium (5.4 oz)	Strontium (4.5 oz)
Midrange					
Size	2 5/8" (6.7 cm)	2 5/8" (6.7 cm)			
HHC Cone	✓	✓			
Strontium Magnet	✓	✓			
Tweeter					
Size	1" (2.5 cm)	3/4" (1.9 cm)	1" (2.5 cm)	1" (2.5 cm)	1" (2.5 cm)
Type	Poly-Ether Imide Dome	Poly-Ether Imide Dome			
HHC Balanced	✓		✓	✓	✓
Magnet			Neodymium	Neodymium	Neodymium
Super Tweeter (1)					
Size	3/4" (1.9 cm)				
Type	Poly-Ether Imide Dome				
General					
Frequency Response	28 - 25,000Hz	28 - 25,000Hz	35 - 25,000Hz	40 - 24,000Hz	45 - 24,000Hz
Crossover Frequency	5, 8, 12kHz	5, 8kHz	5kHz	5kHz	5kHz
Power Handling Capacity (Peak)	330W	290W	210W	190W	160W
Power Handling Capacity (RMS)	60W	40W	30W	27W	20W
Impedance	4Ω	4Ω	4Ω	4Ω	4Ω
Sound Pressure Level	85 dB/W.m	85 dB/W.m	84 dB/W.m	85 dB/W.m	82.5 dB/W.m
Mounting Depth	3 3/32" (78.5 mm)	3 3/32" (78.5 mm)	1 23/32" (43.5 mm)	1 3/4" (44 mm)	1 13/16" (45 mm)

Dimensions



Free Manuals Download Website

<http://myh66.com>

<http://usermanuals.us>

<http://www.somanuals.com>

<http://www.4manuals.cc>

<http://www.manual-lib.com>

<http://www.404manual.com>

<http://www.luxmanual.com>

<http://aubethermostatmanual.com>

Golf course search by state

<http://golfingnear.com>

Email search by domain

<http://emailbydomain.com>

Auto manuals search

<http://auto.somanuals.com>

TV manuals search

<http://tv.somanuals.com>