

## Specifications

Type	: 16 cm (6-1/2") 2-Way Component Speaker, Door/ rear mounting
Power Handling Capacity	: 150 watts (MAX. MUSIC POWER)
Impedance	: 4 ohms
Magnet Mass	: 256 g (9 oz)
Mass	: 0.87 kg (2.00 lbs)

(Design and specifications are subject to change without notice.)

## 产品规格

机种类型	: 16 厘米 (6-1/2") 2 路套装汽车扬声器系统, 车门或后板安装
最大功率	: 150 瓦
阻抗	: 4 欧姆
磁铁重量	: 256 克 (9 盎司)
喇叭重量	: 0.87 千克 (2.00 磅)

(以上设计和规格若升级更改, 恕不另行通知)

CS-VS601  
CAR STEREO SPEAKER  
汽车扬声器

# JVC

## CAR STEREO SPEAKER

汽车扬声器

If a kit is necessary for your car, consult your telephone directory for the nearest car audio speciality shop ("IN-CAR ENTERTAINMENT" dealer)

如果要用到安装工具, 请查对您的电话本与距您最近的汽车音响店联络。

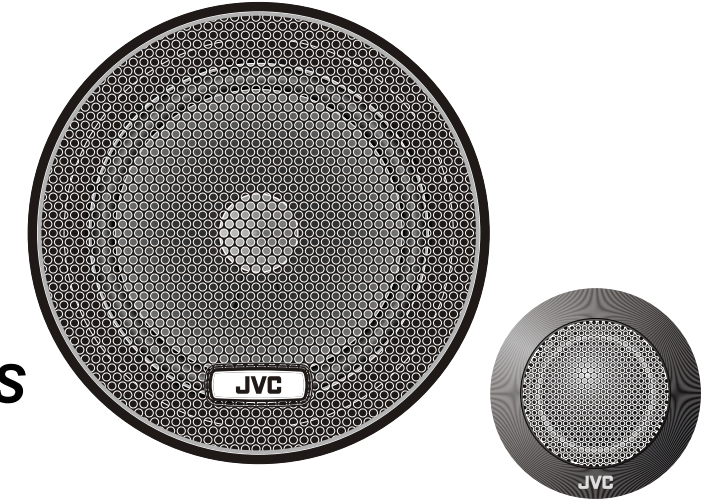
EN, CH  
©2005 Victor Company of Japan, Limited

# JVC

# CS-VS601

## INSTRUCTIONS

安装说明



LVT1238-002A

Thank you for purchasing the JVC Car Stereo Speakers. These speakers can be mounted either in the doors or in the rear tray of your vehicle. For the secure installation and perfect operation of your speakers, please read the following carefully.

### For Proper Installation and Use

1. Before connecting the speakers to the amplifier, confirm that the power has been turned off. The click noise generated by the connection if the power is on may damage the speakers.
2. The amplifier and speakers should be connected between corresponding terminals, i.e. "left" to "left", and "right" to "right", as well as "+" to "+", and "-" to "-". Connection with reversed polarity will degrade the quality of stereo reproduction.
3. Do not subject the speakers to excessive input. The power handling capacity of the CS-VS601 is 150 watts (Max. music power). Any excessive input may damage the speakers.
4. The CS-VS601 has an impedance of the amplifier's speaker terminal is rated at 4 ohms.
5. When cleaning the speakers, use a soft cloth and wipe the surface gently. Do not apply thinner or solvent.

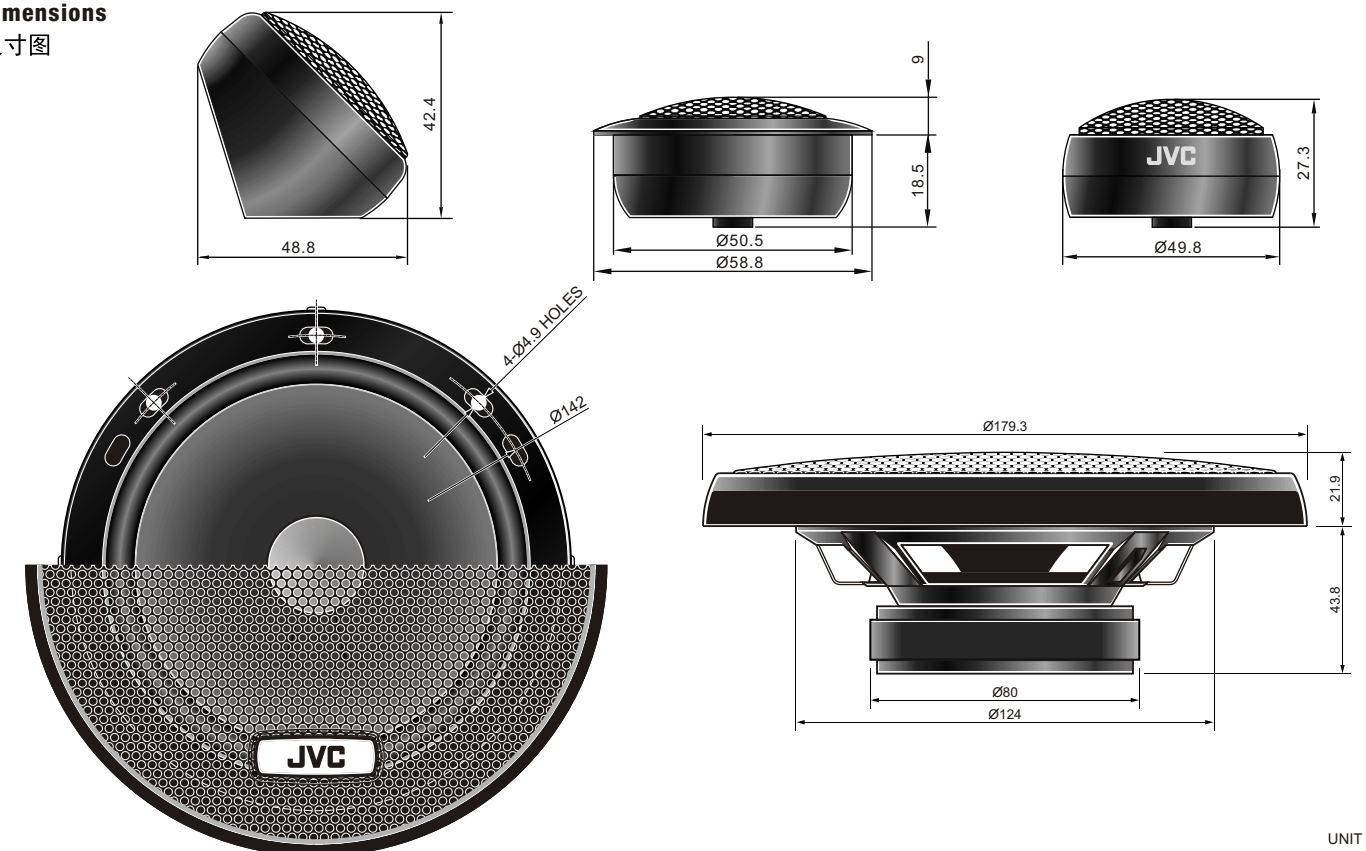
感谢您购买 JVC 汽车扬声器, 该汽车喇叭可安装在车门和车的后板, 为确保安全安装及保证喇叭正常工作, 请详阅下面的安装说明。

### 正确安装及使用:

1. 接线到功放时, 确保关闭功放电源。如果不关功放, 安装时所发的噪音会损伤喇叭。
2. 与功放接线时, 确保“+”接“+”, “-”接“-”, 如果极性接反, 会影响立体声效果。
3. CS-VS601 的最大功率是 150 瓦, 不要输入过大功率, 损伤喇叭。
4. CS-VS601 的阻抗是 4 欧姆, 请检查功放输出是否是 4 欧姆。
5. 清洁喇叭时, 请用软布轻轻拭擦, 不要用稀释剂和溶剂。

产品名称: 汽车扬声器  
企业标准号: Q/YXFJ105  
设计开发: 日本JVC公司  
(Victor Company of Japan, Limited)  
生产组装: 中日合资上海JVC电器有限公司  
工厂地址: 上海市浦东新区外高桥保税区日京路68号

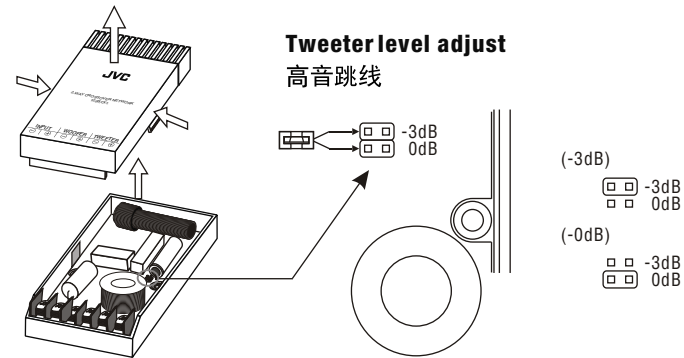
### Dimensions 尺寸图



UNIT : mm  
单位 : mm

## How to Install

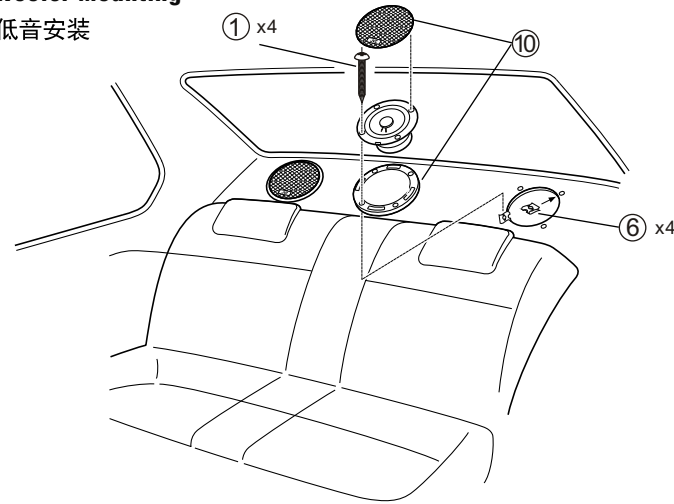
- To install the speaker in the rear tray, first determine the appropriate area in which to place it. The speakers must be installed in a place where there are spaces of at least 32 mm over the tray and at least 49 mm under the tray. In determining the location, make sure that the bottom part of each speaker fits into the large hole in the steel plate on which the rear tray is fixed.
- Remove the rear tray.
- The paper pattern printed on the bottom of the packing box shows the exact shape of the area on the rear tray through which the speaker will be installed. Apply the paper pattern onto the area determined in 1. above, and trace out the shape of the area on the tray.
- Then, cut out the marked area.
- The next step is to wire the speakers. Be sure to connect to connect corresponding terminals, i.e. "left" to "left", "-" to "-", etc.
- Use the tapping screw and speed nuts provided to fix the speaker and grille to the rear tray. Match the 4 screw holes in the speaker frame and the grille to the holes in the rear tray, insert the 4 screws in into the holes and secure them with 4 nut.
- The process for installing the speakers in the door is much the same as for installing the speakers in the rear tray. In this case, however, extra care must be taken to install the speaker out of the way of the door handle. Install the speakers with the terminals down.



## 安装说明：

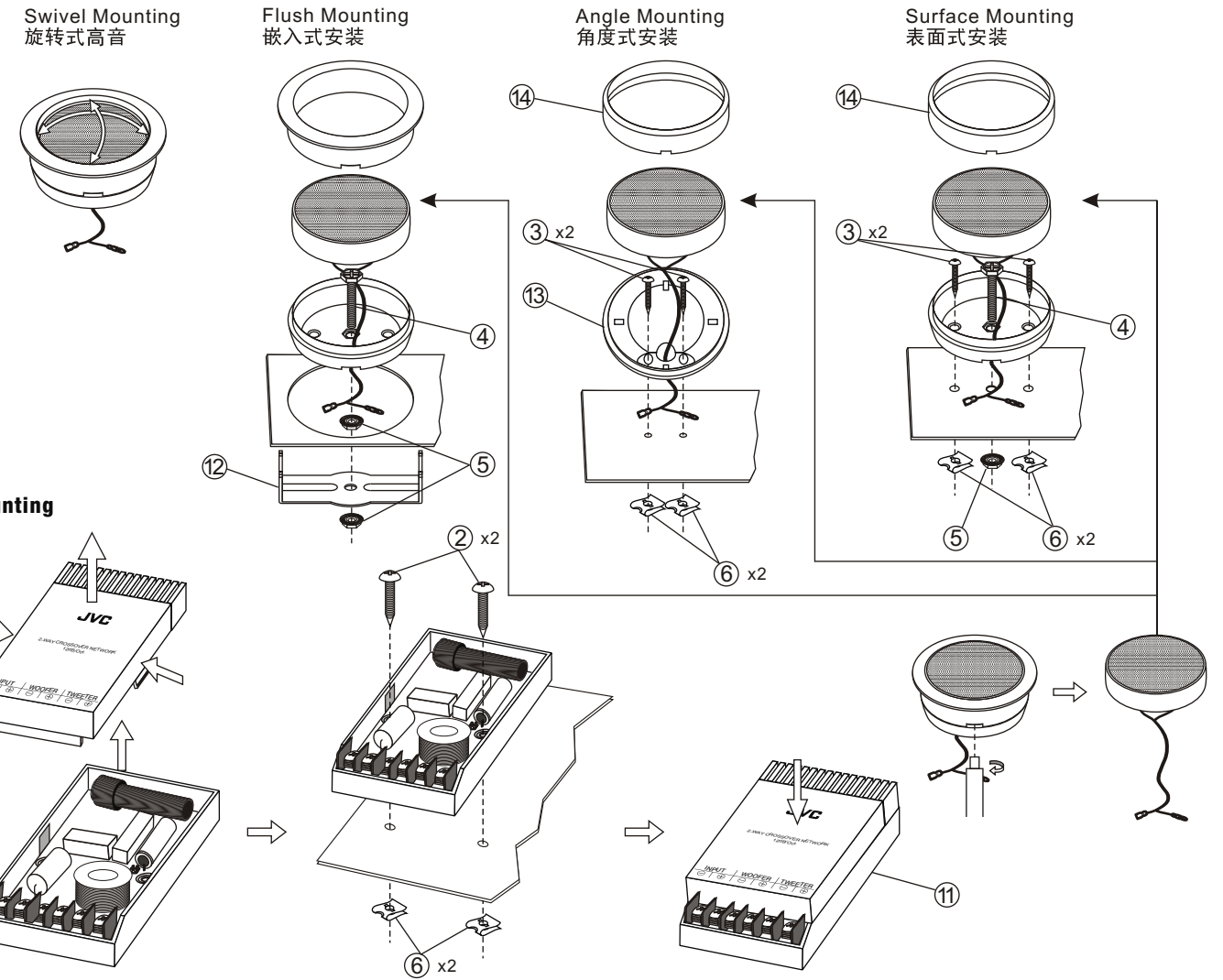
- 如果要安装喇叭到后板，先要定位，决定喇叭位置。板上最少应有 32mm 空间，板下最少 49mm。在定位时，确保后板的连接钢板有足够的空间放入喇叭。
- 拆掉后板。
- 彩盒上的打孔部分是安装模板，与喇叭尺寸相同，请将此模板放到要安装的位置划线定位。
- 然后，割开划线位置。
- 下一步是连接喇叭，要确保正负端子连接无误，即“左”接“左”，“-”接“-”。
- 用配备的自攻螺丝和弹片将喇叭和面盖安装到后板上。首先去掉铁网，对准喇叭面盖，铁盆和后板的四个螺丝孔位，锁上螺丝。最后盖上铁网。
- 在车门上安装喇叭与在后板上安装相似，但要特别小心，不能挡到车门拉手，喇叭端子要朝下。

## Woofer Mounting 低音安装



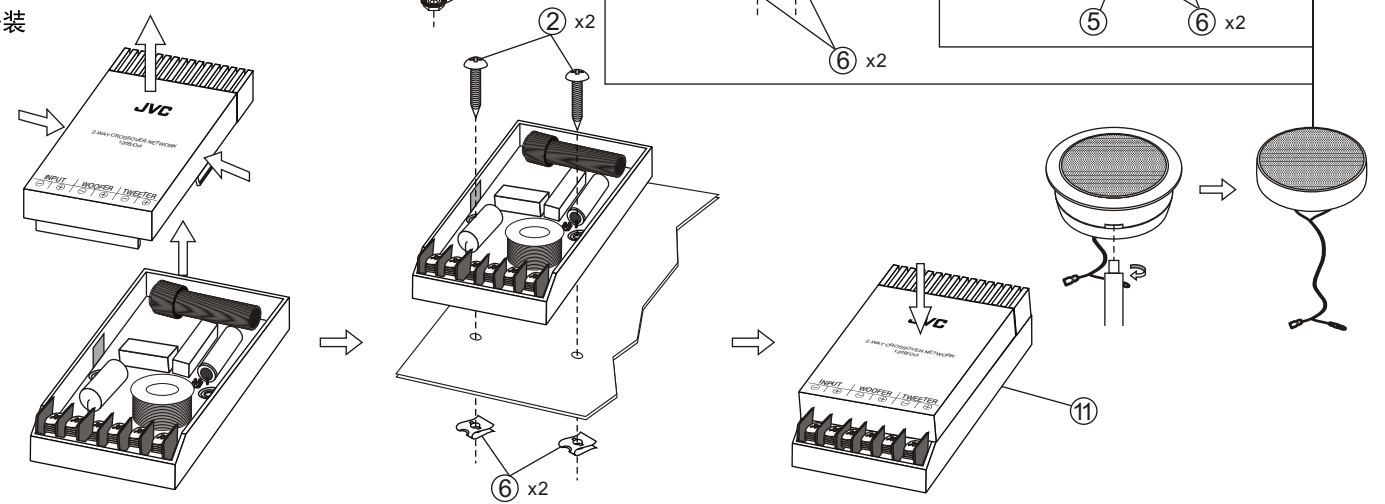
## Tweeter Mounting

### 高音安装

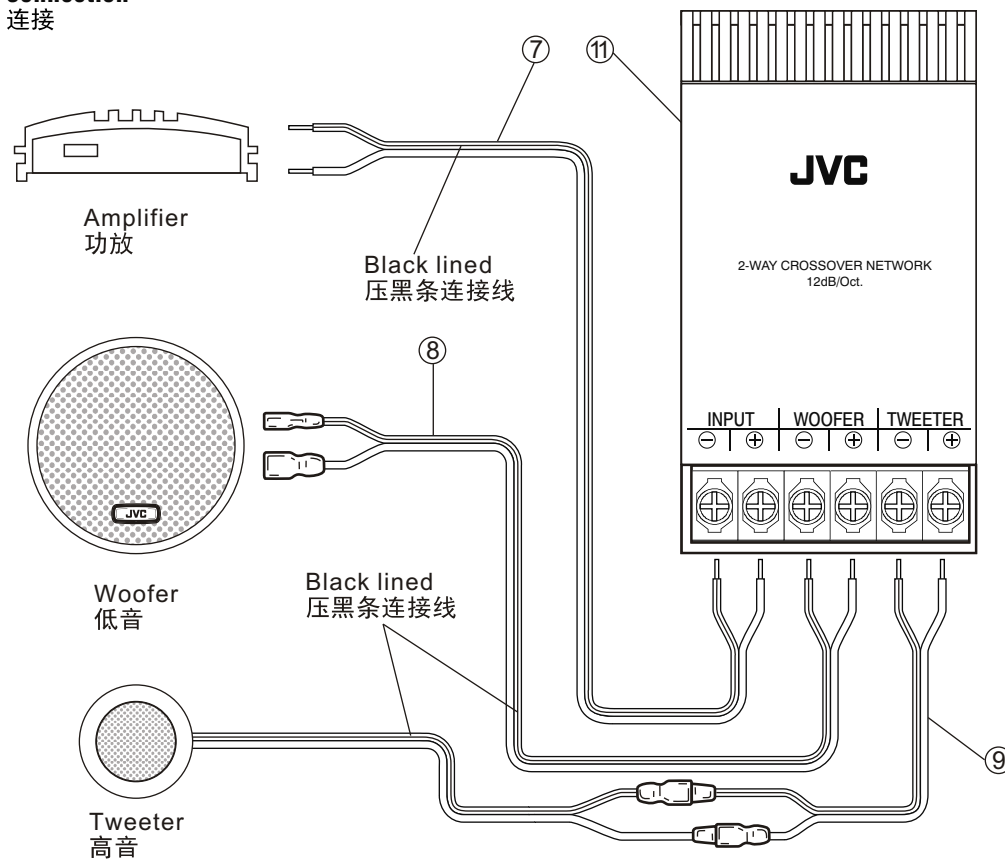


## Network Mounting

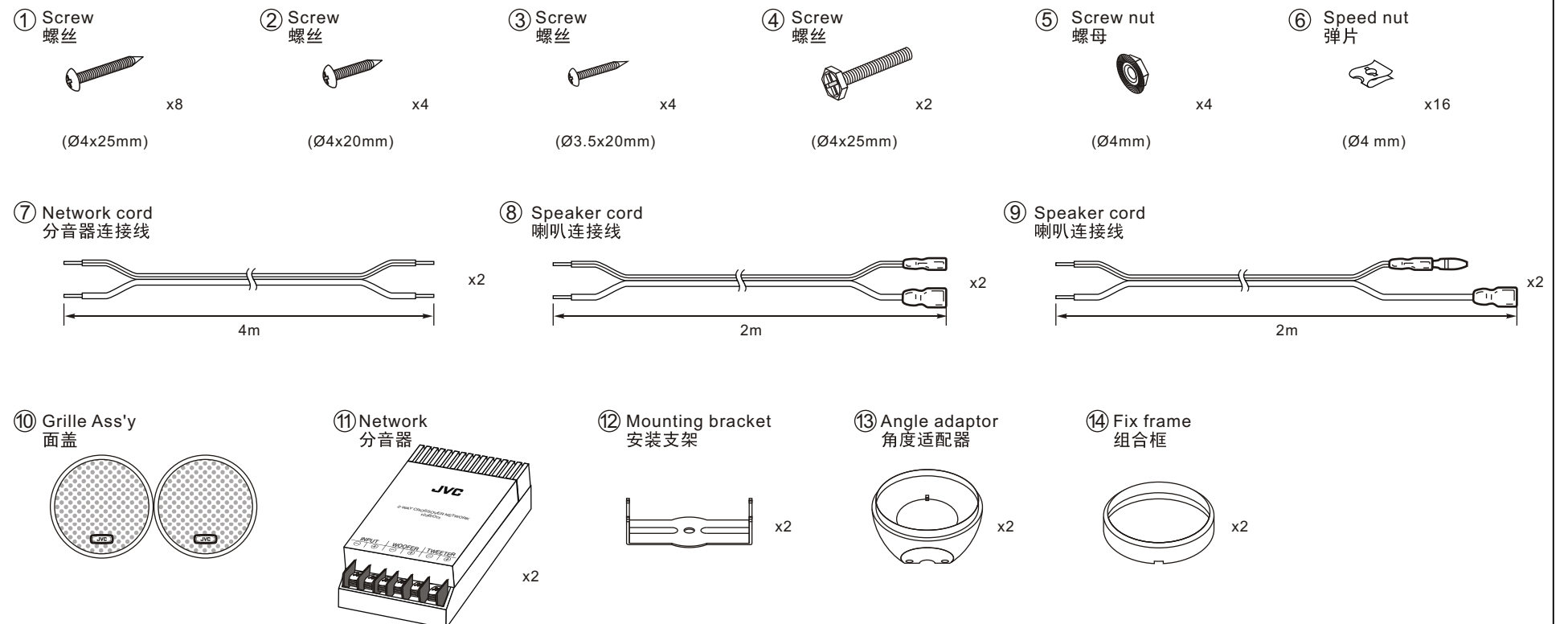
### 分音器安装



## Connection 连接



## Parts 配件



## Free Manuals Download Website

<http://myh66.com>

<http://usermanuals.us>

<http://www.somanuals.com>

<http://www.4manuals.cc>

<http://www.manual-lib.com>

<http://www.404manual.com>

<http://www.luxmanual.com>

<http://aubethermostatmanual.com>

Golf course search by state

<http://golfingnear.com>

Email search by domain

<http://emailbydomain.com>

Auto manuals search

<http://auto.somanuals.com>

TV manuals search

<http://tv.somanuals.com>