

Accessories

- Hexagonal head tapping screw x 8 (ø4 x 20 mm)



Use a M4 hex wrench.

- Paper pattern

Specifications

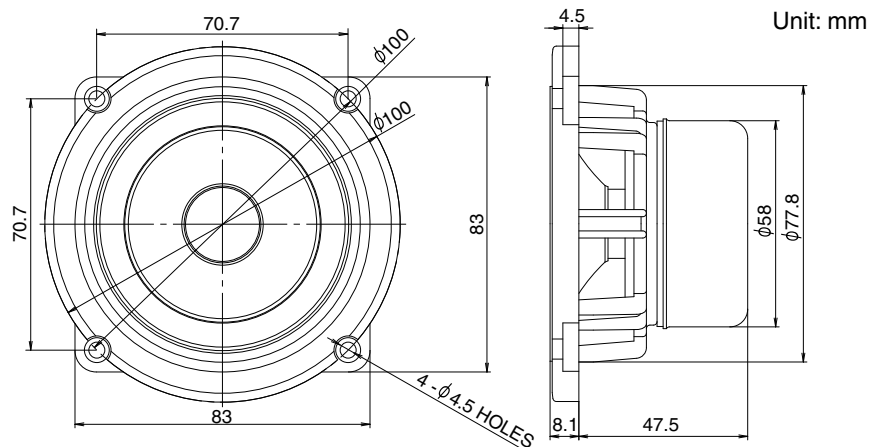
Type	: Full Range Speaker
Speaker	: 8.5 cm Wood Cone
Power Handling Capacity (Nominal)	: 17 W
Power Handling Capacity (Max. Music Power)	: 50 W
Impedance	: 4 Ω
Frequency Response	: 60 Hz – 20 kHz
Sound Pressure Level	: 84 dB/W•m
Mass	: 409 g (one piece)

Designs and specifications are subject to change without notice.

Thiele/ Small Parameter

Revc (DC VC Res)	2.9	Ohms
Imp. (600Hz)	4	Ohms
Fo (Res Freq)	130.7	Hz
Zo (Zmax at Fo)	25.1	Ohm
Sd (Piston Area)	0.0032	sqM
BL (Flux*Length)	4.28	TM
Qms (Mech Q)	3.930	
Qes (Elec Q)	0.744	
Qts (Total Q)	0.625	
Vas (Acous Vol)	0.52	Litr
Le (Inductance)	0.0618	mH
Cms (Compliance)	357.6	uM/N
Mms (Total Mass)	4.15	Gram
Mmd (DiaphmMass)	4.04	Gram

Dimensions



JVC

CAR STEREO SPEAKER

CS-WD85



The diaphragm of this speaker makes use of birch wood to faithfully reproduce the original sound. Each unit, therefore, has a unique appearance.

Thank you for purchasing the JVC Car Stereo Speakers. For the secure installation and perfect operation of your speaker, please read the following instructions carefully.

INSTRUCTIONS



©2006 Victor Company of Japan, Limited

LVT1406-002A

[E]

0606SKMSANTCN

Mounting the speaker

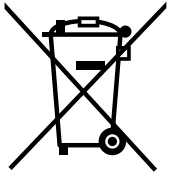
Professional knowledge is required for mounting this speaker. For details, please consult the authorized dealer.

Make use of the paper pattern provided when processing the mounting board of the speaker. During mounting, ensure that there is enough spacing to avoid hitting against any parts such as window glass.

In addition, mount the speaker such that the terminals are at the bottom.

Notes for dealers

Upon completing the mounting, please hand this instruction manual to the customer.



This symbol is only valid in the European Union.

Information for Users on Disposal of Old Equipment

This symbol indicates that the product with this symbol should not be disposed as general household waste at its end-of-life. If you wish to dispose of this product, please do so in accordance with applicable national legislation or other rules in your country and municipality. By disposing of this product correctly, you will help to conserve natural resources and will help prevent potential negative effects on the environment and human health.

Dear customer,

This apparatus is in conformance with the valid European directives and standards regarding electromagnetic compatibility and electrical safety.

European representative of Victor Company of Japan, Limited is:

JVC Technology Centre Europe GmbH

Postfach 10 05 52

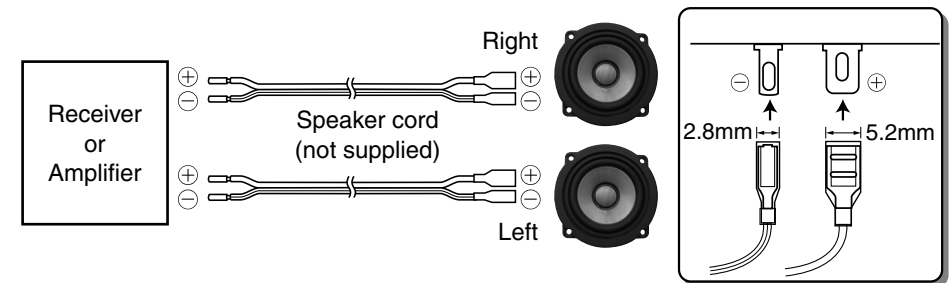
61145 Friedberg

Germany

For Proper Installation and Use

1. Be sure to install the speakers according to the directions so as to prevent them from slipping accidentally out of position due to the repeated impact of opening and closing doors or the tossing and bumping of the vehicle.
2. Set the wiring firmly on the floor of the vehicle, taking the utmost care not to break wires while installing. When installing the speakers in the doors, extra attention must be paid to allowing reasonable play to the wires. The wiring, if given too much clip or clamp, will get pinched in between the door and body of the vehicle when opening and closing doors.
3. Since the speaker installed in the door is positioned at the foot level, be careful not to damage the speaker by giving it an inadvertent kick. Check the water outlet at the bottom of the door occasionally to ensure that it drains well, leaving no rainwater inside the door.
4. Before connecting the speakers to the amplifier, confirm that the power has been turned off. The click noise generated by the connection if the power is on may damage the speakers.
5. The amplifier and speakers should be connected between corresponding terminals, i.e. "left" to "left", and "right" to "right", as well as "+" to "+", and "-" to "-". Connection with reversed polarity will degrade the quality of stereo reproduction.
6. Do not subject the speakers to excessive input. Any excessive input may damage the speakers.
7. Make sure that the output impedance of the amplifier's speaker terminal is rated at 4 ohms.
8. When cleaning the speakers, use a soft cloth and wipe the surface gently. Do not apply thinner or solvent.

Connection



Free Manuals Download Website

<http://myh66.com>

<http://usermanuals.us>

<http://www.somanuals.com>

<http://www.4manuals.cc>

<http://www.manual-lib.com>

<http://www.404manual.com>

<http://www.luxmanual.com>

<http://aubethermostatmanual.com>

Golf course search by state

<http://golfingnear.com>

Email search by domain

<http://emailbydomain.com>

Auto manuals search

<http://auto.somanuals.com>

TV manuals search

<http://tv.somanuals.com>