



# DVD-RAM/R DRIVE

BEDIENUNGSANLEITUNG : DVD-RAM/R-LAUFWERK

MANUEL D'INSTRUCTIONS : UNITE DVD-RAM/R

使用说明书 : DVD-RAM/R 驱动器

ENGLISH

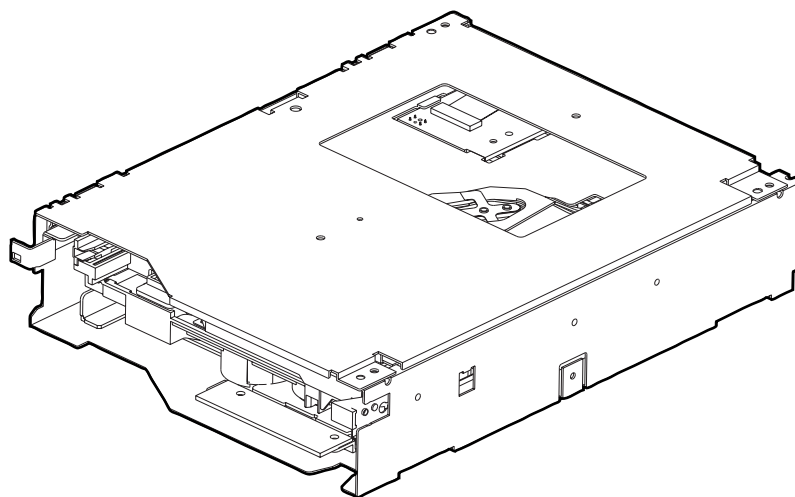
DEUTSCH

FRANÇAIS

中文

# MC-R433U

# INSTRUCTIONS



Thank you for purchasing the JVC MC-R433U DVD-RAM/R DRIVE.  
Before you start operating this unit, please read the instructions  
carefully in order to obtain the best possible performance.

**For Customer Use:**

Enter below the Model No. and Serial  
No. which are located at the top of the  
unit. Retain this information for future  
reference.

Model No. MC-R433U \_\_\_\_\_

Serial No. \_\_\_\_\_

# INSTALLATION FLOW

Follow the steps below for installation.

## STEP 1 INSTALLATION

### ● Install the MC-R433U in the CD/DVD Library.

- Procedure for Opening the Door of the CD/DVD Library
- Procedure for Opening the Drive Storage Cover of the CD/DVD Library
- Procedure for Determining the Setup Position for the MC-R433U
- Procedure for Installing the MC-R433U in the CD/DVD Library



Page 3

## STEP 2 CONNECTION

### ● Connect the MC-R433U to the CD/DVD Library.

- Procedure for Attaching the Provided SCSI Cable
- Procedure for Connecting the Cables to the Back of the MC-R433U



Page 4

## STEP 3 SETUP

### ● Set the SCSI ID of the MC-R433U and close the door of the CD/DVD Library.

- Procedure for Setting the DIP Switch
- Procedure for Setting the Slide Switch
- Procedure for Attaching the Drive Storage Cover of the CD/DVD Library
- Procedure for Closing the CD/DVD Library Door



Page 5

## STEP 4 EXECUTION OF AUTOMATIC DRIVE DETECTION MODE.

### ● Execute the automatic drive detection mode and connect the host computer.

- Procedure for Executing the Automatic Drive Detection Mode of the CD/DVD Library
- Procedure for Connecting the CD/DVD Library to the Host Computer



Page 6

# PRECAUTIONS BEFORE USE

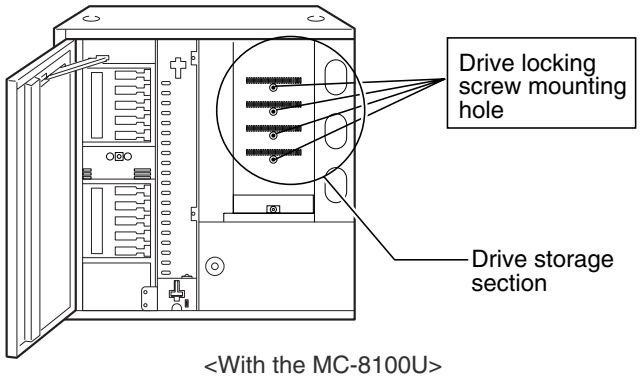
- The MC-R433U is a DVD-RAM/R drive designed for use with the JVC MC-8100U/8200U/8600U "CD/DVD Library".
- When installing this unit in a Library that is being used, please read the instruction manual carefully.
- The MC-R433U cannot be operated on its own.
- This unit cannot be used in combination with the following models.
  - CD-ROM Library : MC-1000 series/2000 series
  - DVD-RAM Library: MC-7000 series
- For the compatible discs, see the Specifications on page 8.
- Before using this unit, be sure to replace the ROM for the "CD/DVD Library" with the ROM provided with this unit.
- For information on firmware version upgrades and replacement of ROMs, please consult the retailer of the MC-R433U or JVC service agency.
- If six drives are installed in the CD/DVD Library and it is required to connect the MC-R433U units to three or more of those drives, please consult your dealer or JVC-authorized service agent.
- When six MC-R433U units are installed in the CD/DVD Library, use the CD/DVD Library at an ambient temperature of between 5°C to 30°C.

1. **DANGER:** Invisible laser radiation will occur if the unit is open due to a failed or defective interlocking device.
2. **CAUTION:** Do not open the top cover. There are no user serviceable parts inside the unit; leave all servicing to qualified service personnel.

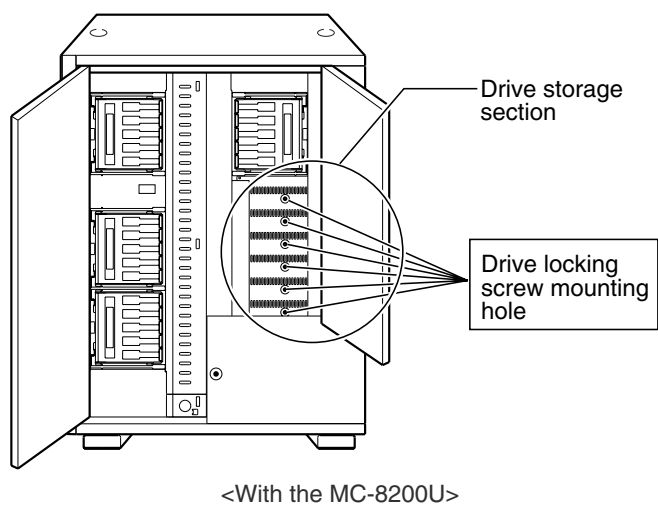
# STEP 1 INSTALLATION

● Install the MC-R433U in the CD/DVD Library.  
 Before starting installation, be sure to turn both the host computer and peripherals off.  
 For information related to the CD/DVD Library, refer to the instruction manual for the CD/DVD Library.

## Procedure for Opening the Door of the CD/DVD Library

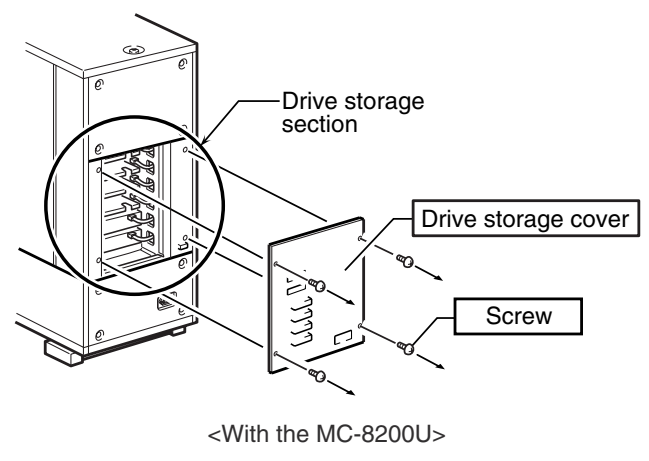
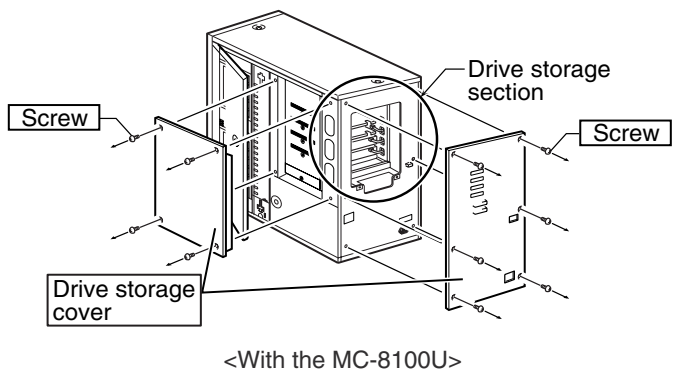


\* The illustration shows the CD/DVD Library with the drive storage cover removed for ease of description.



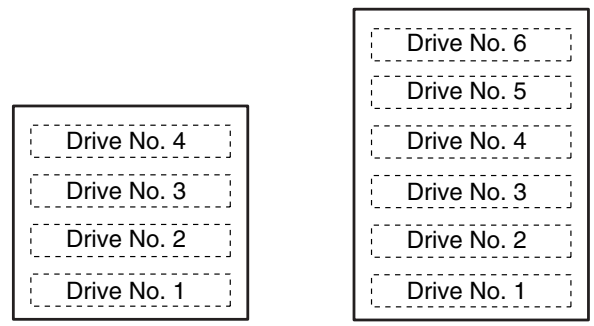
1. Select the [DOOR OPEN MODE] on the MENU screen of the CD/DVD Library's LCD.
2. Press and hold the "SELECT" switch for five seconds.
3. Turn off the power of the CD/DVD Library when [THE DOOR CAN BE OPENED] message is displayed on the LCD.
4. Insert the key in the key cylinder located at the center of the door to unlock and open the door.

## Procedure for Opening the Drive Storage Cover of the CD/DVD Library



1. Remove the screws from the drive storage cover of the CD/DVD Library.
2. Remove the drive storage cover.

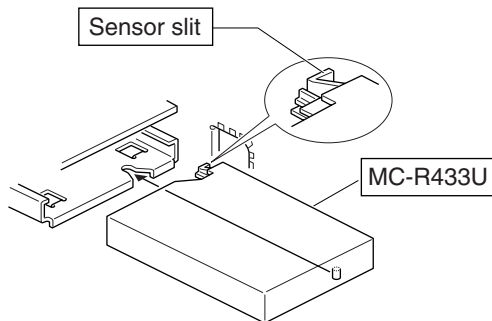
## Procedure for Determining the Setup Position for MC-R433U



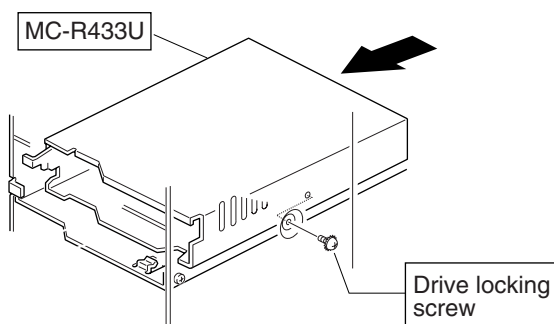
<MC-8100U drive storage section>    <MC-8200U drive storage section>

1. Install the drives to the drive slots No.1 through No.6 (No. 1 through No. 4 in the case of the MC-8100U) sequentially.  
 ■ It makes the work easy if the drives are installed from the lowest number to the highest.

## Procedure for Installing the MC-R433U in the CD/DVD Library



<MC-R433U insertion direction>



<MC-R433U locking method>

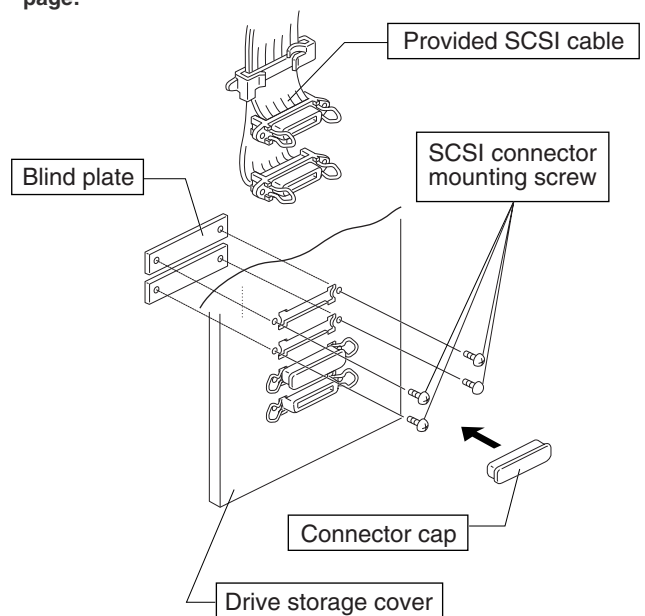
1. Insert the MC-R433U from the rear of the CD/DVD Library
  - Be sure not to damage the sensor slit.
  - Make sure that the direction of the MC-R433U is correct when inserting it.
  - Be sure that the cables connected to the rear of the CD/DVD Library are not caught or pinched when inserting the MC-R433U.
2. Insert the MC-R433U slowly until the screw installation hole located on the side of the MC-R433U and the screw installation hole located on the drive locking section are aligned.
3. Screw in the provided drive locking screw to the screw installation hole of the drive locking section.
  - Tighten the screw firmly.
  - If the drive locking screw is loose, the drive and/or Library may be damaged.

## STEP2 CONNECTION

- Connect the MC-R433U to the CD/DVD Library. When necessary, two or more SCSI bus channels may be used by adding the provided SCSI cable. If the DVD-R is recorded intermittently due to an insufficiency in the recording transfer rate on the SCSI bus, the recording quality may deteriorate and playback malfunctions may occur. Also refer to the instruction manual for the CD/DVD Library.

## Procedure for Attaching the Provided SCSI Cable

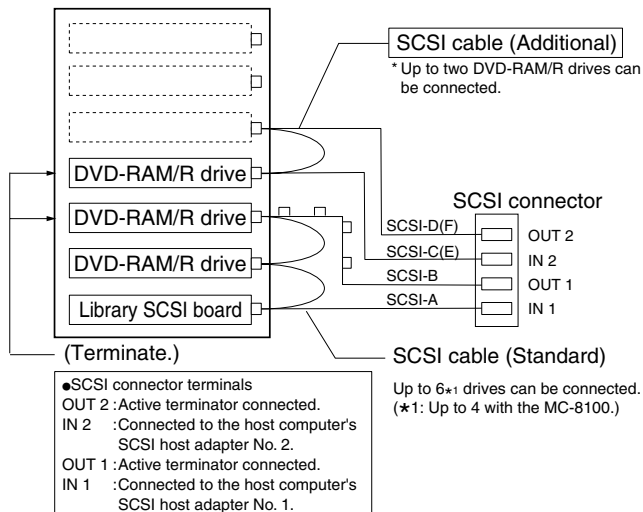
\* If the provided SCSI cable is not used, go to "Procedure for Connecting the Cables to the Back of the MC-R433U" on the next page.



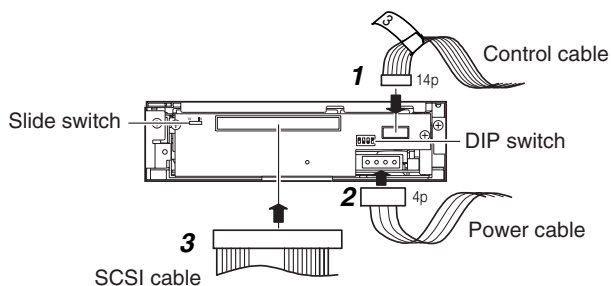
<Provided SCSI cable connection method>

1. In order to remove the two blind plates, remove the four screws from the SCSI connector installation section at the rear of the CD/DVD Library (drive storage cover).
2. Insert the provided SCSI cable through the installation hole from the inside of the drive storage cover and secure it with the four screws.
  - Remove the connector cap of the SCSI cable for installation.
  - Be sure that the SCSI connector is inserted in the correct direction. (It should be the same as the direction of the SCSI connector "SCSI-A.")
3. If the cable or the terminator are not being connected to the OUT side of the SCSI connector ("SCSI-D"), place the connector cap over it.

## Procedure for Connecting the Cables to the Back of the MC-R433U



<MC-R433U connection example>



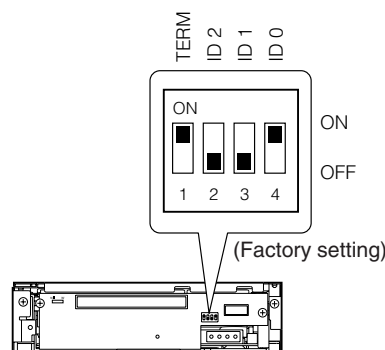
<MC-R433U rear panel>

1. Connect the power supply cable, control cable and SCSI cable to the connectors at the rear of the MC-R433U.
  - When using the MC-8100U, the No. of the cable must always correspond to the No. of the drive bay to which it is being connected. If a cable with the wrong number is connected, it will lead to the equipment malfunctioning.
  - When using the MC-8200U/8600U, connect power supply and control cables, which lead from the side of the MC-R433U drive bay to the drive.
  - Insert all connectors firmly.
  - SCSI cables are connected as a daisy chain connection. Each connector should be connected to the drive positions as illustrated in the diagram.
  - Terminate each point where the SCSI bus is terminated physically.
    - Setting of the built-in terminators
      - ☞ "Procedure for Setting the DIP Switch" on page 5
    - Setting of the external terminators:  
The use of active terminators is recommended.

## STEP 3 SETUP

- Set the SCSI ID of the MC-R433U and close the door of the CD/DVD Library.  
Always turn the power of the CD/DVD Library off when the dip switches are moved.  
For the details of the default factory settings, please refer to the section "SCSI ID No. SETTING" of the instructions from the CD/DVD Library.

## Procedure for Setting the DIP Switch



<MC-R433U DIP switch settings on the rear panel>

1. TERM: Selection of the use of built-in terminators.
  - When using the built-in terminators:
    - With the MC-R433U unit located at a point where the SCSI bus is physically terminated set its TERM ON.
    - With other MC-R433U units, set their TERMS to OFF.
  - When not using the built-in terminators:
    - Attach external terminators to the OUT terminals of the SCSI connector.
    - When using an external terminator, set all of the TERMS of the MC-R433U to OFF.
  - To improve the stability of SCSI bus communications, it is recommended to use an active external terminator.
2. ID2, ID1, ID0: Setting of the SCSI ID No. of each drive.
  - When setting the SCSI ID No., use a number that is not being used by other SCSI devices on the same bus.

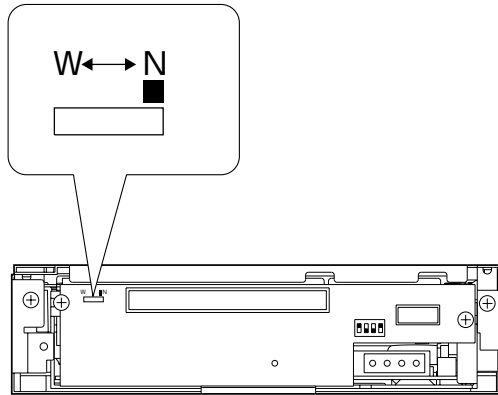
<SCSI ID No. and DIP switch settings>

SCSI ID No.	Switch		
	ID2	ID1	ID0
0	OFF	OFF	OFF
1 *	OFF	OFF	ON
2	OFF	ON	OFF
3	OFF	ON	ON
4	ON	OFF	OFF
5	ON	OFF	ON
6	ON	ON	OFF
7	ON	ON	ON

\*: Factory setting.

## STEP 3 SETUP (continued)

### Procedure for Setting the Slide Switch



<Slide switch position on the MC-R433U rear panel>

1. Ensure that the slide switch is set to N.
  - The W position is for use by service personnel only. The user should not use this position.

### Procedure for Attaching the Drive Storage Cover of the CD/DVD Library

1. Secure the cover with the screws that were removed.
  - ☞ "Procedure for Opening the Drive Storage Cover of the CD/DVD Library" on page 3.

### Procedure for Closing the CD/DVD Library Door

1. Close the door and lock the key cylinder.

## STEP 4 EXECUTION OF AUTOMATIC DRIVE DETECTION MODE.

- Execute the automatic drive detection mode of the CD/DVD Library.  
For the automatic drive detection mode, refer to the instruction manual for the CD/DVD Library.

### CAUTION

- Be sure to close the drive storage cover and door of the CD/DVD Library before turning it on.
- After installing, adding, replacing or removing the drives, be sure to execute the automatic drive detection mode. Otherwise, a malfunction may result.
- After installing, adding, removing or replacing the drives, or changing the SCSI ID No., be sure to turn the host computer off and then turn it on again.

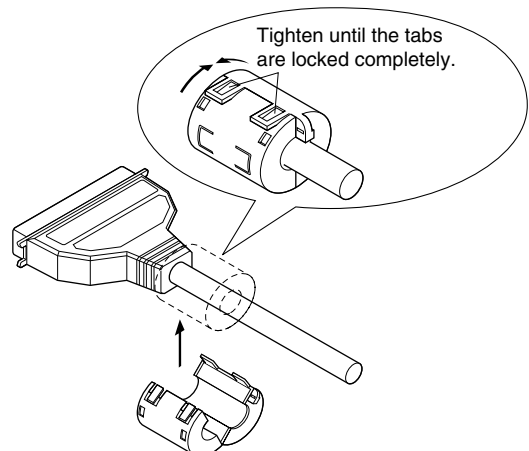
### Procedure for Executing the Automatic Drive Detection Mode of the CD/DVD

1. While holding the "8" key on the control panel, turn the power of the CD/DVD Library on.
2. When the LCD shows "DRIVE DETECTION COMPLETED," turn the power of the CD/DVD Library off.
3. Turn the CD/DVD Library on again.
  - The DRIVE DISPLAY of the CD/DVD Library displays this drive as a "DVD-RAM."

### Procedure for Connecting the CD/DVD Library to the Host Computer

- When using an external SCSI cable, use a SCSI-2 high-impedance, shielded cable and attach the provided clamp filters.

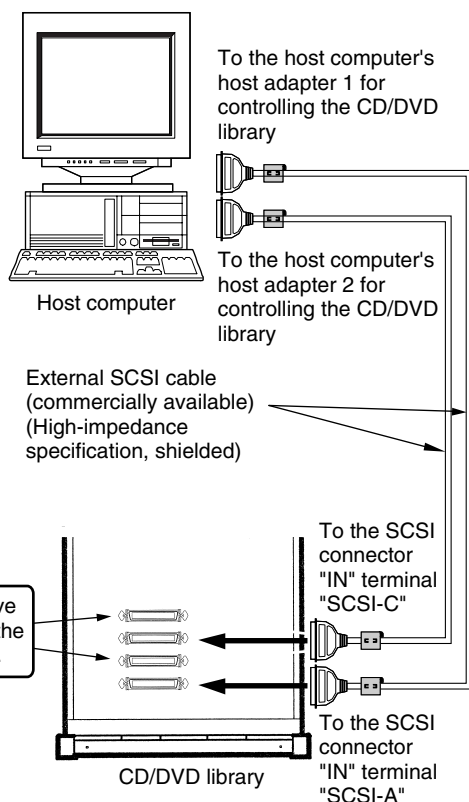
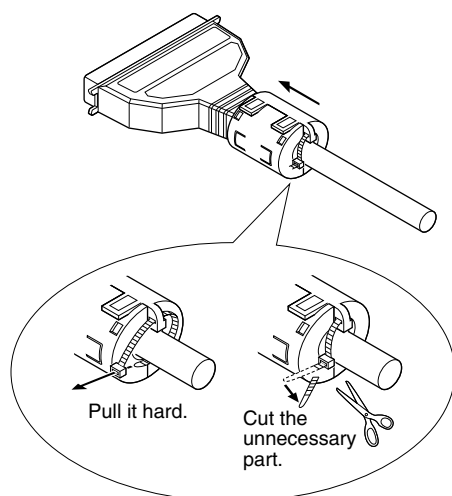
<Clamp filter attachment method ①>



# SPECIFICATIONS

## Procedure for Connecting the CD/DVD Library to the Host Computer (continued)

<Clamp filter attachment method ②>



<SCSI cable 2 system connection example>

- Take care of the total SCSI cable length including the internal and external SCSI cables. A malfunction may occur if the total length exceeds the following figure.
  - SCSI-2, 20 Mbytes/s sync operation: 3 meters (Up to 2 drives can be connected)
  - SCSI-2, 10 Mbytes/s sync operation: 3 meters
  - SCSI-2, 5 Mbytes/s async operation: 6 meters
- \* The length of the provided SCSI cable is 1 meter.
- For the length recommendations for the SCSI cable stored inside the CD/DVD Library, refer to "CONNECTING SCSI CABLES AND POWER CORD" in the operation manual for the CD/DVD Library.
- Be sure to lock the SCSI connectors of the external SCSI cables after being connected.

### ■ Interface

SCSI-2

### ■ Data transmission rate

Sustained (when the maximum sync transfer rate of the host adapter is set to 20 Mbytes/s)

DVD-RAM	2.77 Mbytes/s (2X)
<small>(Ver. 2.1: Single-sided 4.7 GB or double-sided 9.4 GB)</small>	
DVD-RAM	1.38 Mbytes/s (1X)
<small>(Ver. 1.0: Single side 2.6 GB, read only)</small>	
DVD-R	2.77 Mbytes/s (2X max.) (write)
<small>(Ver. 2.1: Single-sided 4.7 GB or double-sided 9.4 GB)</small>	
DVD-R	8.31 Mbytes/s (6X max.) (read)
<small>(Ver. 2.1: Single-sided 4.7 GB or double-sided 9.4 GB)</small>	
DVD-ROM	10 Mbytes/s
<small>(Single Layer, 7X max.: CAV)</small>	
CD-ROM	1.5 Mbytes/s to 4.8 Mbytes/s
<small>(32X max.: CAV)</small>	
CD-R	Max. 1.8 Mbytes/s (write)
<small>(12X max.)</small>	
CD-RW	Max. 1.2 Mbytes/s (write)
<small>(8X max.)</small>	

Burst (when the maximum sync transfer rate of the host adapter is set to 20 Mbytes/s)

Max. 8 Mbytes/s (async transfer)
Max. 10 Mbytes/s (sync transfer)

### ■ Average access time (1/3 stroke)

DVD-R (4.7 GB for General)	: 145 ms
DVD-ROM (Single Layer)	: 130 ms
DVD-RAM (4.7 GB)	: 185 ms
DVD-RAM (2.6 GB)	: 195 ms
CD-ROM	: 130 ms

\* The above values were measured using JVC's measure methods.

### ■ Buffer capacity

2 Mbytes

### ■ Additional write count (DVD-R for General, 4.7 GB)

500 times typical (when a disc and a drive are combined)  
15 times typical (when a disc and multiple drives are combined)

### ■ Dimensions

171 mm(W) x 47.5 mm(H) x 240 mm(D)

### ■ Weight

1.5 kg

### ■ Accessories

SCSI cable (with connector cap, 1 m length)	..... x 1
Clamp filter (with band)	..... x 2
ROM	..... x 3
Drive locking screw	..... x 2



# SPECIFICATIONS (continued)

---

## ■ Applicable discs

DVD-R 4.7 GB (Ver. 2.0 for General Use)

Recommended discs: Single-sided 4.7 GB

Matsushita Electric Corp.

Mitsubishi Kagaku Media Corp.

Hitachi Maxell Ltd.

TDK Corp.

Taiyo Yuden Co., Ltd.

Recommended discs: Double-sided 9.4 GB

Mitsubishi Kagaku Media Corp.

Hitachi Maxell Ltd.

DVD-R 3.95 GB (Ver. 1.0, Disc-at-once, read only)

DVD-ROM

DVD-RAM (Ver. 2.1, single-sided 4.7 GB, double-sided 9.4 GB)

Matsushita Electric Corp.

Hitachi Maxell Ltd.

DVD-RAM (Ver. 1.0, single-sided 2.6 GB, read only)

CD-ROM (Mode-1, Mode-2, etc.)

CD-R

Ricoh Company Ltd.

Mitsubishi Kagaku Media Corp.

Hitachi Maxell Ltd.

TDK Corp.

Taiyo Yuden Co., Ltd.

Mitsui Chemicals, Inc.

CD-RW

Ricoh Company Ltd.

Mitsubishi Kagaku Media Corp.

**\* Note 1: It is recommended to write and read the DVD-R, DVD-RAM, CD-R and CD-RW discs using the drives of the same model. If drives of different models are used in write and read, discs of certain manufacturers or production lots may not manifest the full performance.**

**\* Note 2: Only discs with a diameter of 120 mm are applicable.**

**\* Note 3: Use DVD-R, CD-R and CD-RW discs that match the optimal writing speed. However, even if the appropriate discs are used, an adequate performance may not be achieved depending on the disc manufacturer or production lot compatibility.**

■ Design and specifications are subject to change without notice.



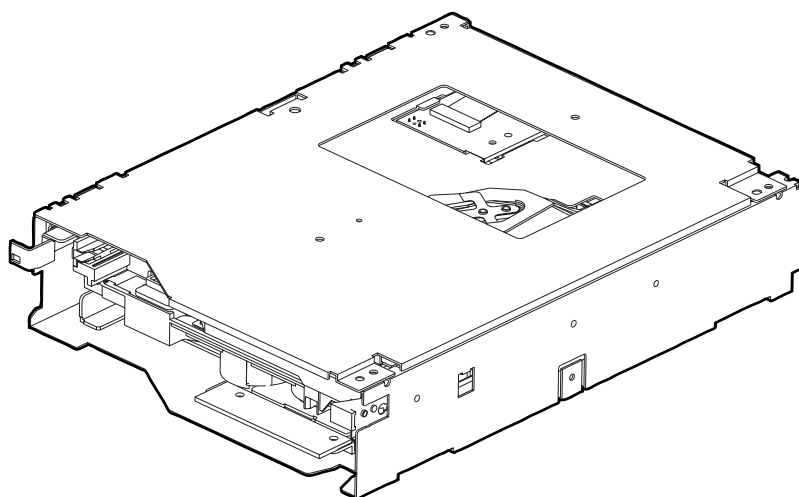
# JVC<sup>®</sup>

DEUTSCH

## DVD-RAM/R-LAUFWERK

# MC-R433U

## BEDIENUNGSANLEITUNG



# INSTALLATIONSREIHENFOLGE

Bitte führen Sie erforderlichen Installationsschritte in der angezeigten Reihenfolge durch.

## SCHRITT 1 INSTALLATION

### ● Installieren Sie das MC-R433U in der CD/DVD-Bibliothek.

- So öffnen Sie die Tür der CD/DVD-Bibliothek
- So öffnen Sie die Einbaubuchtabdeckung der CD/DVD-Bibliothek
- Bestimmen der Einbaubucht für das MC-R433U
- So installieren Sie das MC-R433U in der CD/DVD-Bibliothek



Seite 3

## SCHRITT 2 ANSCHLÜSSE

### ● Schließen Sie das MC-R433U an die CD/DVD-Bibliothek an.

- So schließen Sie das mitgelieferte SCSI-Kabel an
- So schließen Sie die Kabel an die Rückseite von MC-R433U an



Seite 4

## SCHRITT 3 EINRICHTEN

### ● Stellen Sie die SCSI-ID-Nr. von MC-R433U ein und schließen Sie die Tür der CD/DVD-Bibliothek

- So stellen Sie den DIP-Schalter ein
- So stellen Sie den Schiebeschalter ein
- So bringen Sie die Einbaubuchtabdeckung der CD/DVD-Bibliothek wieder an
- So schließen Sie die Tür der CD/DVD-Bibliothek



Seite 5

## SCHRITT 4 DURCHFÜHREN DER AUTOMATISCHEN LAUFWERKERFASSUNG

### ● Führen Sie die automatische Laufwerkerfassung durch und schließen Sie den Hostcomputer an.

- So führen Sie die automatische Laufwerkerfassung für die CD/DVD-Bibliothek durch.
- So schließen Sie die CD/DVD-Bibliothek an den Hostcomputer an.



Seite 6

## SICHERHEITSHINWEISE VOR DEM GEBRAUCH

- Das MC-R433U ist ein DVD-RAM/R-Laufwerk, das für den Einsatz mit der JVC MC-8100U/8200U/8600U "CD/DVD Bibliothek" entwickelt wurde.
- Soll dieses Laufwerk in einer Bibliothek installiert werden, die in Gebrauch ist, bitte unbedingt die Bedienungsanleitung sorgfältig lesen.
- Das MC-R433U-Laufwerk kann nicht getrennt betrieben werden.
- Dieses Laufwerk kann nicht zusammen mit den folgenden Modellen verwendet werden
  - CD-ROM-Bibliothek : MC-1000 Serie/2000 Serie
  - DVD-RAM-Bibliothek : MC-7000 Serie
- Angaben zu kompatiblen Diskausführungen finden Sie in den Technischen Daten auf Seite 8.
- Vor dem Gebrauch dieses Laufwerks müssen Sie unbedingt die ROM der "CD/DVD-Bibliothek" gegen die zu diesem Laufwerk mitgelieferte ROM austauschen.
- Bitte richten Sie Fragen zu Upgrades der Firmware-Version und zum Ersetzen von ROMs an Ihren Fachhändler, der MC-R433U führt, oder an den JVC-Kundendienst.
- Wenn in der CD/DVD-Bibliothek sechs Laufwerke installiert sind und der Anschluss von MC-R433U Einheiten an drei oder mehr dieser Laufwerke erforderlich wird, wenden Sie sich bitte an einen autorisierten JVC Fachhändler oder Kundendienst.
- Wenn in der CD/DVD-Bibliothek sechs Laufwerke installiert sind, muss die Umgebungstemperatur der CD/DVD-Bibliothek bei Betrieb im Bereich von 5°C bis 30°C liegen.

1. **GEFAHR:** Unsichtbare Laserstrahlung, falls die Sicherheitsverriegelung beim Öffnen versagt oder abgestellt wird.
2. **VORSICHT:** Die obere Abdeckung darf nicht entfernt werden. Im Inneren der Einheit befinden sich keine Teile, die vom Benutzer gewartet werden können. Wartungsarbeiten geschultem Servicepersonal überlassen.

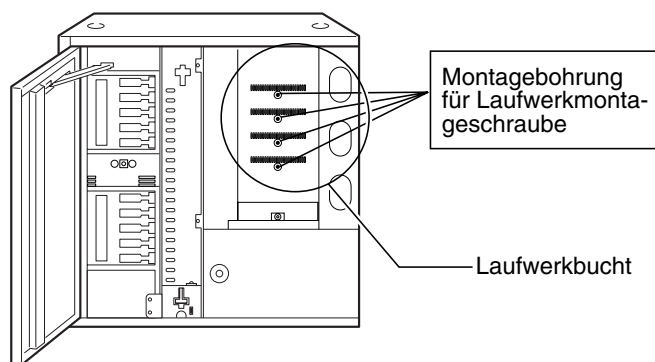
## SCHRITT 1 INSTALLATION

- Installieren Sie das MC-R433U in der CD/DVD-Bibliothek.

Stellen Sie vor dem Einbau sicher, dass der Hostcomputer und alle Peripheriegeräte ausgeschaltet sind.

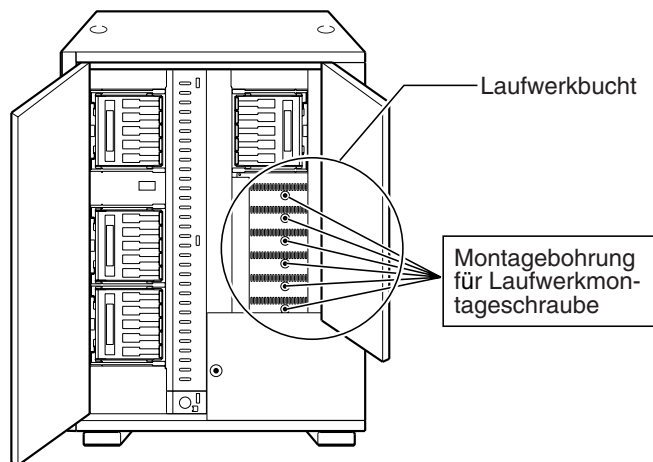
Sonstige Angaben zum Einbau in die CD/DVD-Bibliothek entnehmen Sie bitte der zu der CD/DVD-Bibliothek gehörigen Bedienungsanleitung.

### So öffnen Sie die Tür der CD/DVD-Bibliothek



<Für MC-8100U>

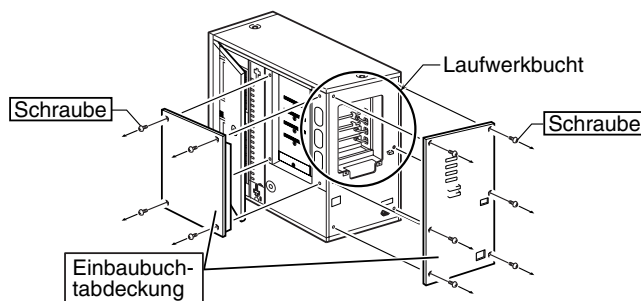
\* In den Abbildungen wird die CD/DVD-Bibliothek zur erleichterten Erläuterung ohne Einbaubuchtabdeckung gezeigt.



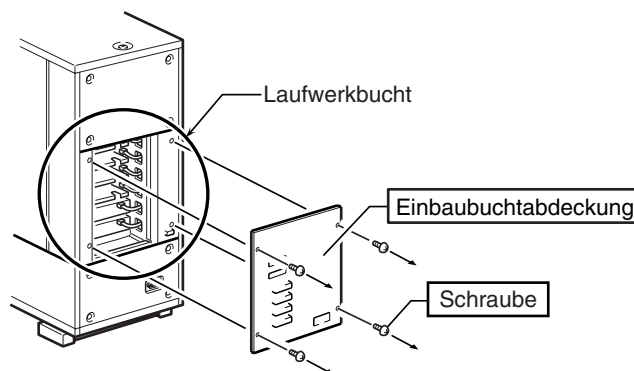
<Für MC-8200U>

1. Wählen Sie in dem auf der LCD-Anzeige der CD/DVD-Bibliothek dargestellten Menü den Eintrag [DOOR OPEN MODE].
2. Halten Sie den Schalter "SELECT" für fünf Sekunden gedrückt.
3. Schalten Sie die Stromversorgung der CD/DVD-Bibliothek aus, sobald die Meldung [THE DOOR CAN BE OPENED] auf der LCD-Anzeige erscheint.
4. Zum Entriegeln und Öffnen der Tür stecken Sie den Schlüssel in das in der Türmitte befindliche Zylinderschloss.

### So öffnen Sie die Einbaubuchtabdeckung der CD/DVD-Bibliothek



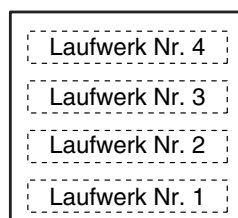
<Für MC-8100U>



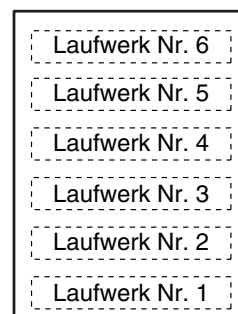
<Für MC-8200U>

1. Entfernen Sie die Schrauben von der Einbaubuchtabdeckung der CD/DVD-Bibliothek.
2. Nehmen Sie die Einbaubuchtabdeckung ab.

### Bestimmen der Einbaubucht für das MC-R433U



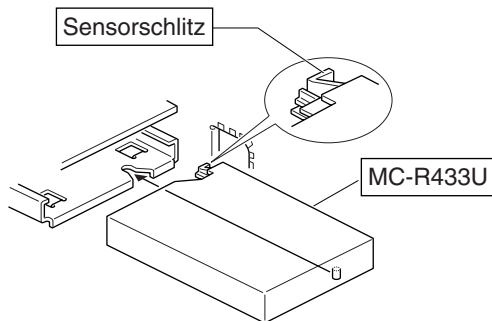
<MC-8100U Laufwerkbucht>



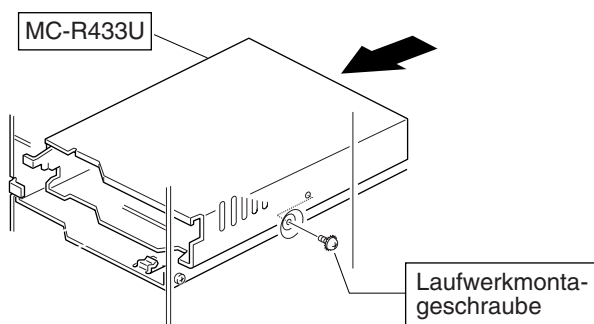
<MC-8200U Laufwerkbucht>

1. Installieren Sie die Laufwerke nacheinander in den Laufwerkbuchten Nr.1 bis Nr. 6 (Nr. 1 bis Nr. 4 im Fall von MC-8100U).
  - Wenn Sie bei der untersten Einbaubuchtnummer beginnen, vereinfachen Sie sich die Einbauarbeit.

## So installieren Sie das MC-R433U in der CD/DVD-Bibliothek



<Einbaurichtung von MC-R433U>



<Befestigung von MC-R433U>

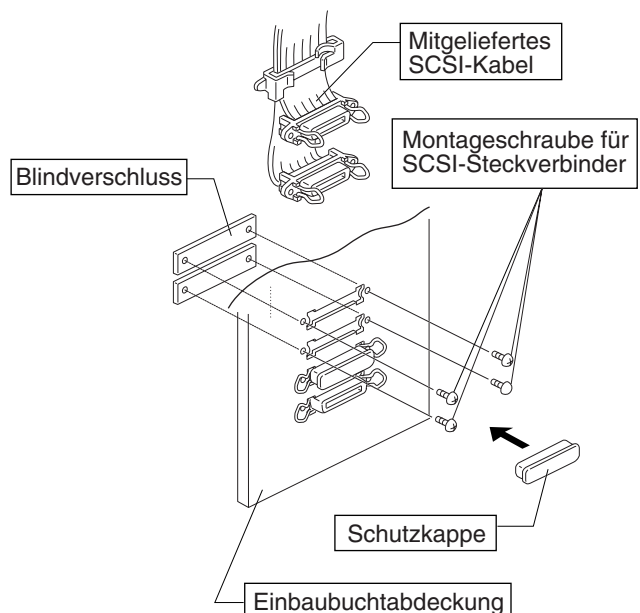
1. Setzen Sie das MC-R433U von der Rückseite der CD/DVD-Bibliothek ein.
  - Achten Sie darauf, dass hierbei der Sensorschlitz nicht beschädigt wird.
  - Achten Sie auf die korrekte Einbaurichtung für das MC-R433U.
  - Achten Sie beim Einsetzen von MC-R433U darauf, dass an der Rückseite der CD/DVD-Bibliothek befindliche Kabel nicht eingeklemmt werden.
2. Schieben Sie das MC-R433U langsam ein, bis die seitlich am MC-R433U befindliche Montagebohrung auf die Montagebohrung der Laufwerkbocht ausgerichtet ist.
3. Befestigen Sie die mitgelieferte Montageschraube in der Montagebohrung der Laufwerkbocht.
  - Ziehen Sie die Schraube einwandfrei fest.
  - Bei einer lose angebrachten Montageschraube kann es zu Schäden am Laufwerk und/oder der Bibliothek kommen.

## SCHRITT 2 ANSCHLÜSSE

- Schließen Sie das MC-R433U an die CD/DVD-Bibliothek an. Bei Bedarf können bei zusätzlicher Verwendung des mitgelieferten SCSI-Kabels zwei oder mehr SCSI-Busse eingesetzt werden. Falls die Daten infolge einer unzureichenden SCSI-Bus-Transferrate mit Unterbrechungen auf die DVD-R geschrieben werden, kann sich die Schreibqualität verschlechtern und es können Betriebsstörungen beim Lesevorgang auftreten. Siehe auch die zur CD/DVD-Bibliothek gehörige Bedienungsanleitung.

## So schließen Sie das mitgelieferte SCSI-Kabel an

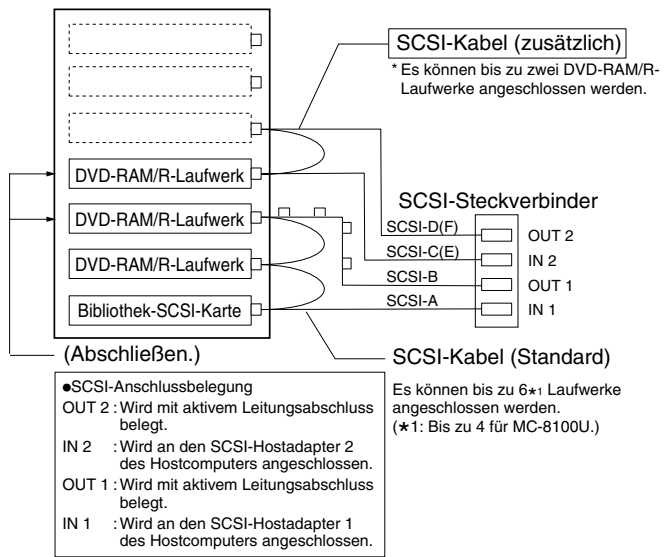
- \* Falls das mitgelieferte SCSI-Kabel nicht verwendet wird, weiter bei "So schließen Sie die Kabel an die Rückseite von MC-R433U an" auf der nächsten Seite.



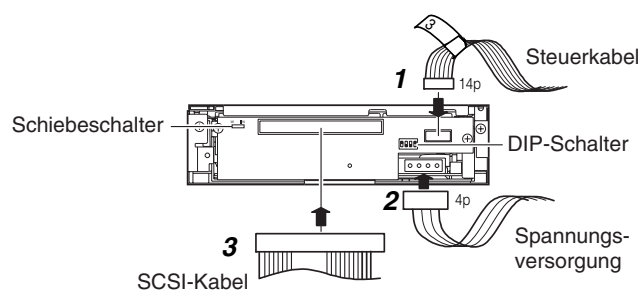
<Anschlussmethode für das mitgelieferte SCSI-Kabel>

1. Zum Abnehmen der beiden Blindverschlüsse müssen Sie die vier Schrauben von dem an der Rückseite der CD/DVD-Bibliothek befindlichen SCSI-Anschlussbereich (Einbaubuchtabdeckung) entfernen.
2. Führen Sie das mitgelieferte SCSI-Kabel von der Innenseite der Einbaubuchtabdeckung her durch die Montageöffnung bringen Sie die vier Schrauben wieder an.
  - Vor dem Anschluss müssen Sie die Schutzkappe vom SCSI-Steckverbinder abnehmen.
  - Achten Sie unbedingt darauf, dass der SCSI-Steckverbinder seitenrichtig angeschlossen wird. (In derselben Richtung wie der SCSI-Steckverbinder "SCSI-A").
3. Falls das Kabel oder der Abschlusswiderstand nicht an der Buchse OUT von SCSI-Steckverbinder "SCSI-D" angebracht wird, muss dort die Schutzkappe angebracht werden.

## So schließen Sie die Kabel an die Rückseite von MC-R433U an



<Anschlussbeispiel MC-R433U>



<Rückseite von MC-R433U>

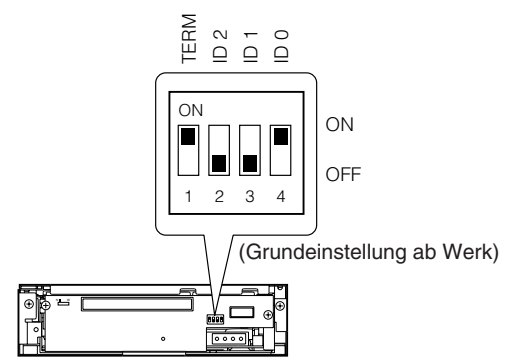
1. Schließen Sie das Netzkabel, Steuerkabel und SCSI-Kabel an die entsprechenden Anschlüsse auf der Rückseite des MC-R433U an.
  - Bei Benutzung des MC-8100U muß die Kabel-Nr. immer der Nr. des Laufwerkeinschubs entsprechen, an dem es angeschlossen ist. Wenn Laufwerke mit dem falschen Einschub verbunden werden, kommt es zu Fehlfunktionen.
  - Bei Verwendung des MC-8200U/8600U die Spannungsversorgung sowie Steuerkabel, die sich an der Seite des MC-R433U-Einschubs befinden, an das Laufwerk anschließen.
  - Überprüfen Sie die Stecker auf einwandfreien Sitz.
  - Die SCSI-Kabel müssen in Reihe angeschlossen werden. Der Anschluss für die einzelnen Einbaubuchten wird im Diagramm dargestellt.
  - Der SCSI-Bus muss an jedem physischen Ende abgeschlossen werden
    - Einstellung der internen Leitungsabschlüsse:
      - ☞ "So stellen Sie den DIP-Schalter ein" auf Seite 5
    - Einstellung der externen Leitungsabschlüsse: Die Verwendung von aktiven SCSI- Leitungsabschlüssen wird empfohlen.

## SCHRITT 3 EINRICHTEN

### ● SCHRITT 3 EINRICHTEN

- Stellen Sie die SCSI-ID-Nr. für das MC-R433U ein und schließen Sie die Tür der CD/DVD-Bibliothek. Sie müssen unbedingt die Stromversorgung der CD/DVD-Bibliothek ausschalten, bevor Sie mit der Einstellung der DIP-Schalter beginnen. Angaben zur Grundeinstellung ab Werk siehe den Abschnitt "SCSI ID Nr. SETTING" in der zur CD/DVD-Bibliothek gehörigen Bedienungsanleitung.

## So stellen Sie den DIP-Schalter ein



<MC-R433U DIP-Schalter-Einstellung an der Rückseite>

1. TERM: Wahl der verwendeten internen Leitungsabschlüsse.
  - Bei Verwendung der internen Leitungsabschlüsse:
    - Stellen Sie den Schalter TERM für das an das physische Ende des SCSI-Busses angeschlossene MC-R433U auf ON.
    - Die TERM-Schalter der anderen MC-R433U-Laufwerke müssen auf OFF gestellt werden.
  - Wenn die internen Leitungsabschlüsse nicht verwendet werden:
    - Bringen Sie jeweils einen externen Leitungsabschluss an die OUT-Buchse des SCSI-Busses an.
    - Bei Verwendung eines externen Leitungsabschlusses muss an allen MC-R433U-Laufwerken der Schalter TERM auf OFF gestellt werden.
  - Um einen stabileren SCSI-Bus-Datentransfer zu gewährleisten, wird die Benutzung eines aktiven externen Leitungsabschlusses empfohlen.
2. ID2, ID1, ID0: Einstellung der SCSI-ID-Nr. für jedes Laufwerk.
  - Achten Sie darauf, keine SCSI-ID Nr. zu verwenden, die bereits einem anderen SCSI-Peripheriegerät des gleichen Busses zugewiesen wurde.

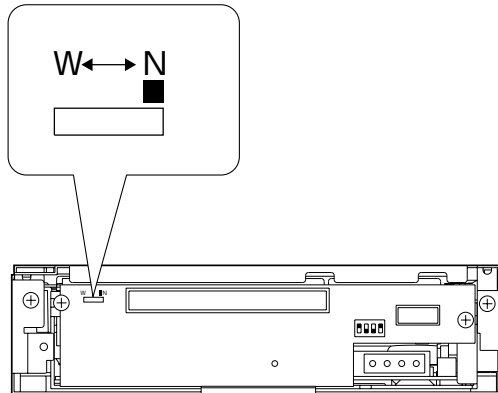
<SCSI-ID-Nr.- und DIP-Schalter-Einstellungen>

SCSI ID No.	Schalter		
	ID2	ID1	ID0
0	OFF	OFF	OFF
1 ★	OFF	OFF	ON
2	OFF	ON	OFF
3	OFF	ON	ON
4	ON	OFF	OFF
5	ON	OFF	ON
6	ON	ON	OFF
7	ON	ON	ON

★: Grundeinstellung ab Werk.

### SCHRITT 3 EINRICHTEN (Fortsetzung)

#### So stellen Sie den Schiebeschalter ein



<Schiebeschalterposition an der Rückseite von MC-R433U>

1. Vergewissern Sie sich, dass der Schalter auf die Position N gestellt ist.
  - Die Position W ist ausschließlich qualifiziertem Kundendienstpersonal vorbehalten und darf nicht benutzerseitig verwendet werden.

#### So bringen Sie die Einbaubuchtabdeckung der CD/DVD-Bibliothek wieder an

1. Bringen Sie die Einbaubuchtabdeckung mit den zuvor entfernten Schrauben an.
  - ☞ "So öffnen Sie die Tür der CD/DVD-Bibliothek" auf Seite 3

#### So schließen Sie die Tür der CD/DVD-Bibliothek

1. Schließen Sie die Tür ab.

### SCHRITT 4 DURCHFÜHREN DER AUTOMATISCHEN LAUFWERKERFASSUNG.

- Führen Sie die automatische Laufwerkerfassung für die CD/DVD-Bibliothek durch.  
Angaben zum automatischen Laufwerkerkennungsmodus finden Sie in der zur CD/DVD-Bibliothek gehörigen Bedienungsanleitung.

#### VORSICHT

- Vergewissern Sie sich vor dem Einschalten der CD/DVD-Bibliothek, dass die Einbaubuchtabdeckung befestigt und die Tür der CD/DVD-Bibliothek geschlossen ist.
- Wenn Laufwerke installiert, hinzugefügt, ausgetauscht oder entfernt wurden, muss unbedingt eine automatische Laufwerkerfassung durchgeführt werden. Andernfalls kann es zu Betriebsstörungen kommen.
- Wenn Laufwerke installiert, hinzugefügt, ausgetauscht oder entfernt oder SCSI-ID-Nummern geändert wurden, muss der Hostcomputer unbedingt aus- und erneut eingeschaltet werden

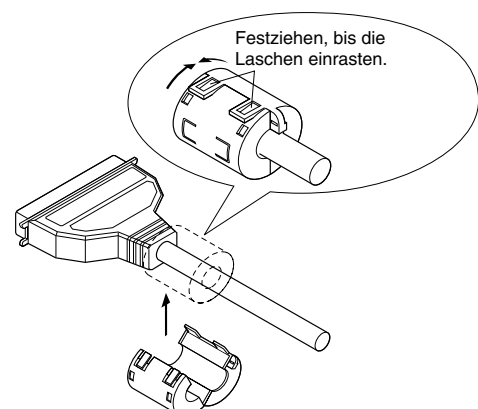
#### So führen Sie die automatische Laufwerkerfassung für die CD/DVD-Bibliothek durch

1. Während Sie die Taste "8" auf der Bedientafel gedrückt halten, schalten Sie die CD/DVD-Bibliothek ein.
2. Wenn auf der LCD-Anzeige die Meldung "DRIVE DETECTION COMPLETED" erscheint, schalten Sie die CD/DVD-Bibliothek aus.
3. Schalten Sie die CD/DVD-Bibliothek erneut ein.
  - Die CD/DVD-Bibliothek zeigt dieses Laufwerk unter DRIVE DISPLAY mit "DVD-RAM" an.

#### So schließen Sie die CD/DVD-Bibliothek an den Hostcomputer an

- Bei Anschluss mittels eines externen SCSI-Kabels ist eine hochohmige, abgeschirmte SCSI-2-Kabelauführung mit zwei Klemmfiltern an beiden Steckerenden zu verwenden.

<Befestigung der Klemmfilter ①>

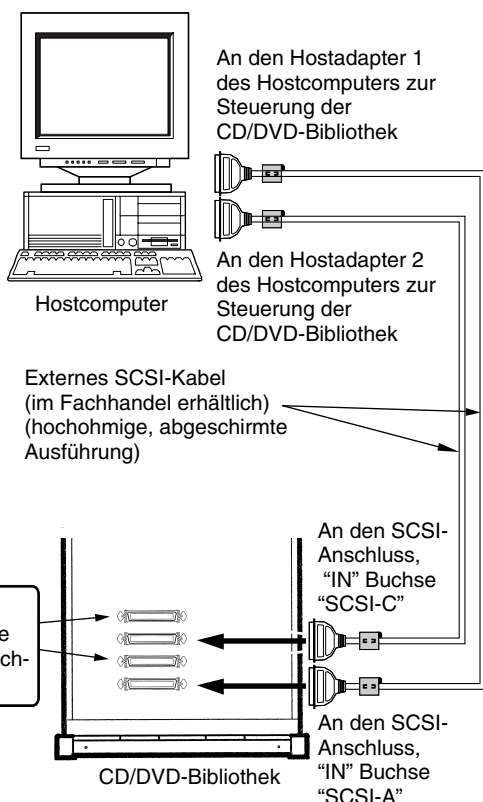
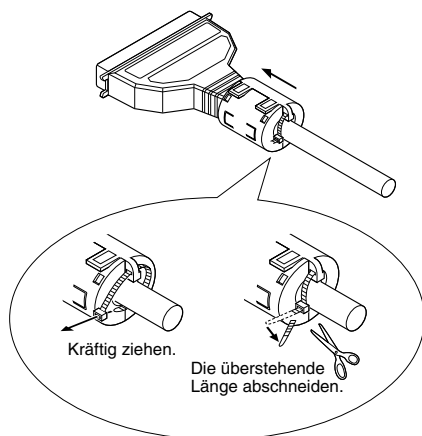




# TECHNISCHE DATEN

## So schließen Sie die CD/DVD-Bibliothek an den Hostcomputer an (Fortsetzung)

<Befestigung der Klemmfilter ②>



<Systemanschlussbeispiel für SCSI-Kabel 2>

■ Achten Sie auf die SCSI-Kabelgesamtlänge, unter Berücksichtigung der internen und externen SCSI-Kabel. Bei Überschreitung der nachfolgend angegebenen zulässigen Gesamtlänge kann es zu Betriebsstörungen kommen.

- SCSI-2, 20 Mbytes/Sek. synchrone Konfiguration: 3 Meter (Anschluß von max. 2 Laufwerken)
  - SCSI-2, 10 Mbytes/Sek. synchrone Konfiguration: 3 Meter
  - SCSI-2, 5 Mbytes/Sek. asynchrone Konfiguration: 6 Meter
- \* Das zusätzlich gelieferte SCSI-Kabel ist 1 m lang.

■ Bezüglich der Längeneempfehlungen für die in der CD/DVD-Bibliothek befindlichen SCSI-Kabel siehe den Abschnitt "VERBINDUNG DER SCSI-KABEL UND STROMVERSORGUNGSKABEL" in der zur CD/DVD-Bibliothek gehörigen Bedienungsanleitung.

■ Nach dem Anschluss von externen SCSI-Kabel darauf achten, dass die SCSI-Steckverbinder fixiert werden.

■ **Schnittstelle**  
SCSI-2

■ **Datentransferrate**

Unterbrechungsfrei (wenn der Hostadapter mit der maximalen Sync-Transferrate von 20 Mbytes/Sek. arbeitet)

DVD-RAM	2,77 Mbytes/Sek. (2X)
<small>(Ver. 2.1: Einseitig 4,7 GB oder beidseitig 9,4 GB)</small>	
DVD-RAM	1,38 Mbytes/Sek. (1X)
<small>(Ver. 1.0: Einseitig 2,6 GB, nur lesen)</small>	
DVD-R	2,77 Mbytes/Sek. (2X max.) (Schreiben)
<small>(Ver. 2.1: Einseitig 4,7 GB oder beidseitig 9,4 GB)</small>	
DVD-R	8,31 Mbytes/Sek. (6X max.) (Lesen)
<small>(Ver. 2.1: Einseitig 4,7 GB oder beidseitig 9,4 GB)</small>	
DVD-ROM	10 Mbytes/Sek.
<small>(Einzelschicht, 7X max.: CAV)</small>	
CD-ROM	1,5 Mbytes/Sek. bis 4,8 Mbytes/Sek.
<small>(32X max.: CAV)</small>	
CD-R	Max. 1,8 Mbytes/Sek. (Schreiben)
<small>(12X max.)</small>	
CD-RW	Max. 1,2 Mbytes/Sek. (Schreiben)
<small>(8X max.)</small>	

Burst(wenn der Hostadapter mit der maximalen Sync-Transferrate von 20 Mbytes/Sek. arbeitet)

Max. 8 Mbytes/Sek. (asynchroner Datentransfer)  
Max. 10 Mbytes/Sek. (synchroner Datentransfer)

■ **Durchschn. Zugriffszeit (1/3 Takt)**

DVD-R (4,7 GB für allgemeine Anwendungen)	: 145 ms
DVD-ROM (Einzelschicht)	: 130 ms
DVD-RAM (4,7 GB)	: 185 ms
DVD-RAM (2,6 GB)	: 195 ms
CD-ROM	: 130 ms

\*Die obigen Angaben wurden nach JVC Messverfahren erstellt.

■ **Zwischenspeicher**  
2 Mbytes

■ **Zählung zusätzlicher Schreibvorgänge (DVD-R für allgemeine Anwendungen, 4,7 GB)**

Typisch 500 Vorgänge (eine Disk und ein Laufwerk kombiniert)  
Typisch 15 Vorgänge (eine Disk und mehrere Laufwerke kombiniert)

■ **Abmessungen**

171 mm (B) x 47,5 mm (H) x 240 mm (T)

■ **Gewicht**

1,5 kg

■ **Zubehör**

SCSI-Kabel (mit Schutzkappe, 1 m lang)	..... x 1
Klemmfilter (einschließlich Schnur)	..... x 2
ROM	..... x 3
Laufwerkmontageschraube	..... x 2



# TECHNISCHE DATEN (Fortsetzung)

## ■ Geeignete Disks

DVD-R 4,7 GB (Ver. 2.0 für allgemeinen Gebrauch)

Empfohlene Disks: Einseitig 4,7 GB

Matsushita Electric Corp.

Mitsubishi Kagaku Media Corp.

Hitachi Maxell Ltd.

TDK Corp.

Taiyo Yuden Co., Ltd.

Empfohlene Disks: Beidseitig: 9,4 GB

Mitsubishi Kagaku Media Corp.

Hitachi Maxell Ltd.

DVD-R 3,95 GB (Ver. 1.0, Disc at once, nur lesen)

DVD-ROM

DVD-RAM (Ver. 2.1, einseitig 4,7 GB, beidseitig 9,4 GB)

Matsushita Electric Corp.

Hitachi Maxell Ltd.

DVD-RAM (Ver. 1.0, einseitig 2,6 GB, nur lesen)

CD-ROM (Modus 1, Modus 2 etc.)

CD-R

Ricoh Company Ltd.

Mitsubishi Kagaku Media Corp.

Hitachi Maxell Ltd.

TDK Corp.

Taiyo Yuden Co., Ltd.

Mitsui Chemicals, Inc.

CD-RW

Ricoh Company Ltd.

Mitsubishi Kagaku Media Corp.

**\* Hinweis 1: Es wird empfohlen, für DVD-R, DVD-RAM, CD-R und CD-RW Disks stets sowohl im Schreib- als auch im Lesebetrieb jeweils dieselbe Laufwerk-Modellausführung zu verwenden. Werden für den Schreib- und Lesebetrieb unterschiedliche Laufwerk-Modellausführungen eingesetzt, kann für Disks bestimmter Hersteller und/oder Bauserien ggf. nicht die volle Leistung erzielt werden.**

**\* Hinweis 2: Es dürfen ausschließlich Disks mit einem Durchmesser von 120 mm verwendet werden.**

**\* Hinweis 3: Verwenden Sie DVD-R-, CD-R- und CD-RW-Disks, die für die optimale Schreibgeschwindigkeit ausgelegt sind. Bitte beachten Sie, dass selbst bei Verwendung geeigneter Disks je nach Disk-Hersteller und infolge von Produktionsschwankungen die maximal verfügbare Leistung ggf. nicht erreicht werden kann.**

■ Änderungen der Konstruktion und der technischen Daten jederzeit ohne Vorankündigung vorbehalten.

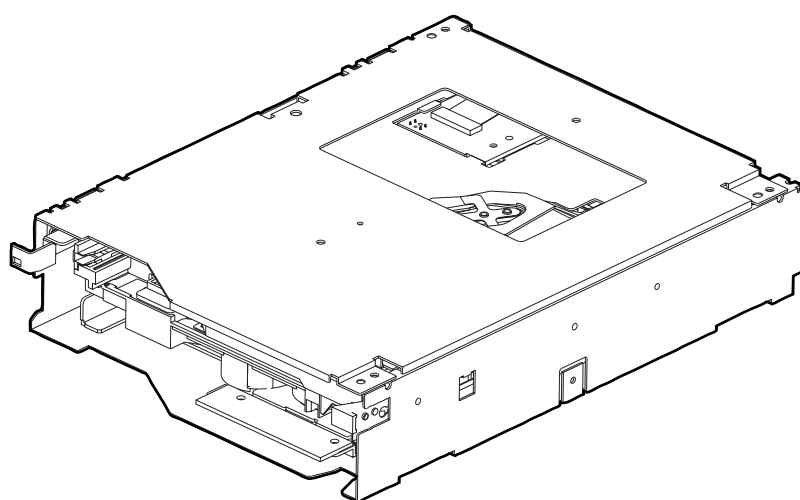


**UNITE DVD-RAM/R**

**MC-R433U**

**MANUEL D'INSTRUCTIONS**

FRANÇAIS



# INSTALLATION

Procédez comme suit pour l'installation.

## ● **ETAPE 1** INSTALLATION

### ● **Installez le MC-R433U dans la bibliothèque CD/DVD.**

- Ouverture de la porte de la bibliothèque CD/DVD
- Ouverture du panneau de magasin des unités de la bibliothèque CD/DVD
- Détermination de l'emplacement du MC-R433U
- Installation du MC-R433U dans la bibliothèque CD/DVD

 **Page 3**

## ● **ETAPE 2** RACCORDEMENTS

### ● **Raccordez le MC-R433U à la bibliothèque CD/DVD.**

- Fixation du câble SCSI fourni
- Raccordement des câbles à l'arrière du MC-R433U

 **Page 4**

## ● **ETAPE 3** CONFIGURATION

### ● **Réglez le N° ID SCSI du MC-R433U et refermez la porte de la bibliothèque CD/DVD.**

- Réglage des microcommutateurs
- Réglage du curseur
- Fixation du panneau du magasin des unités de la bibliothèque CD/DVD
- Fermeture de la porte de la bibliothèque CD/DVD

 **Page 5**

## ● **ETAPE 4** EXECUTION DU MODE DE DETECTION AUTOMATIQUE DE LECTEUR

### ● **Exécution du mode de détection automatique de lecteur et raccordement de l'ordinateur hôte.**

- Exécution du mode de détection automatique de lecteur de la bibliothèque CD/DVD
- Raccordement de la bibliothèque CD/DVD à l'ordinateur hôte

 **Page 6**

# PRECAUTIONS AVANT L'EMPLOI

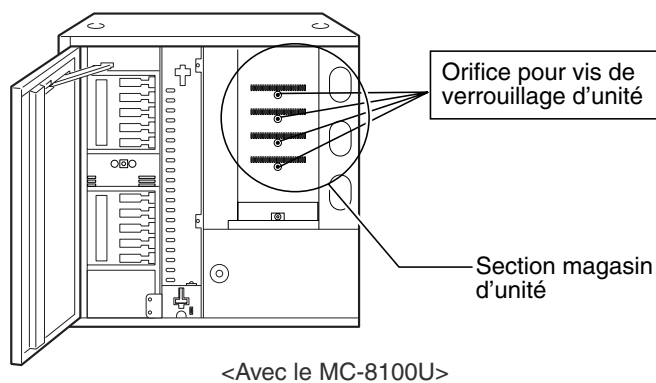
- Le MC-R433U est une unité DVD-RAM/R conçue pour être utilisée avec la bibliothèque CD/DVD JVC MC-8100U/8200U/8600U.
- A l'installation de cette unité dans une bibliothèque, lisez attentivement le manuel d'instructions.
- Le MC-R433U ne peut fonctionner de manière autonome.
- Cette unité ne peut pas s'utiliser en combinaison avec les modèles suivants:
  - Bibliothèque CD-ROM : Série MC-1000/série 2000
  - Bibliothèque DVD-RAM : Série MC-7000
- Voir les Spécifications à la page 8 pour les disques compatibles.
- Avant d'utiliser cette unité, remplacez bien le ROM pour la "bibliothèque CD/DVD" par le ROM fourni avec cette unité.
- Contactez le revendeur du MC-R433U ou un centre de service JVC pour plus d'informations sur les mises à jour de micrologiciels et le remplacement des mémoires ROM.
- Contactez votre revendeur ou un centre de service JVC si six MC-R433U sont installées dans la bibliothèque CD/DVD et qu'il faut les raccorder à au moins trois unités.
- Si vous installez six MC-R433U dans la bibliothèque CD/DVD, utilisez la bibliothèque CD/DVD à température ambiante entre 5 et 30°C.

1. **DANGER:** Rayonnement laser invisible en cas d'ouverture avec une fermeture défailante ou défectueuse.
2. **ATTENTION:** N'ouvrez pas le cache supérieur. Cet appareil ne contient pas de pièces entretenables par l'utilisateur; confiez tout l'entretien au personnel de service qualifié.

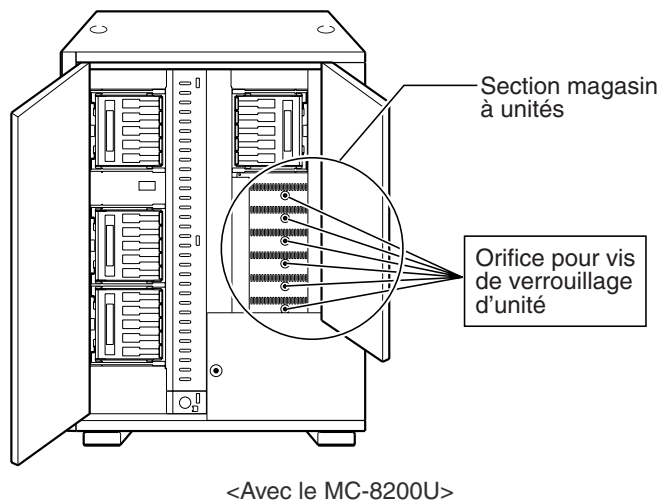
## ● ÉTAPE 1 INSTALLATION

- Installez le MC-R433U dans la bibliothèque CD/DVD. Avant de commencer l'installation, mettez hors tension l'ordinateur hôte et tous les périphériques de la bibliothèque. Consultez le manuel d'instructions de la bibliothèque CD/DVD pour les instructions la concernant.

### Ouverture de la porte de la bibliothèque CD/DVD

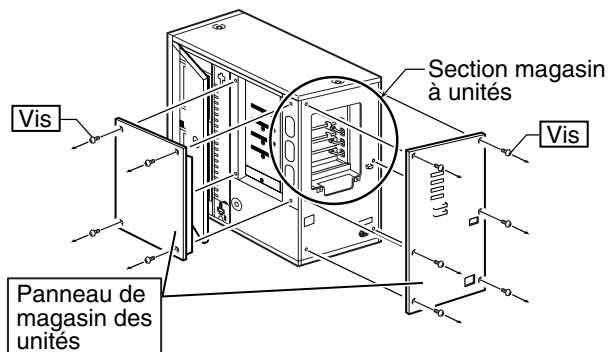


\* L'illustration indique la bibliothèque CD/DVD avec le panneau du magasin des unités retiré pour faciliter la description.

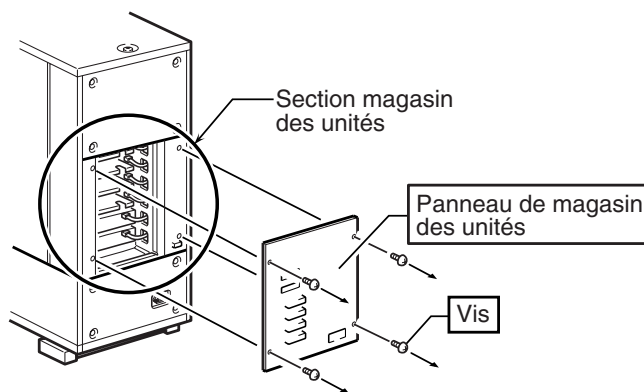


1. Sélectionnez [DOOR OPEN MODE] dans l'écran MENU sur l'affichage LCD de la bibliothèque CD/DVD.
2. Appuyez sur la commande "SELECT" pendant cinq secondes.
3. Mettez la bibliothèque JVC hors tension quand le message [THE DOOR CAN BE OPENED] apparaît sur l'affichage LCD.
4. Insérez la clé dans la serrure au centre de la porte pour déverrouiller et ouvrir la porte.

### Ouverture du panneau de magasin des unités de la bibliothèque CD/DVD



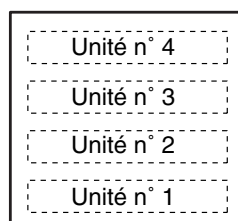
<Avec le MC-8100U>



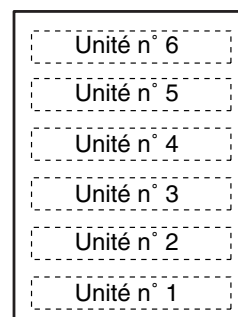
<Avec le MC-8200U>

1. Déposez les vis du panneau du magasin des unités de la bibliothèque CD/DVD.
2. Déposez le panneau du magasin des unités.

### Détermination de l'emplacement du MC-R433U



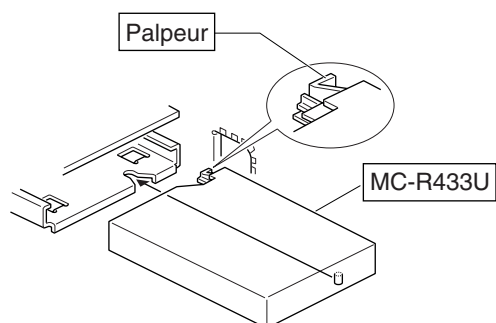
<Section du magasin des unités MC-8100U>



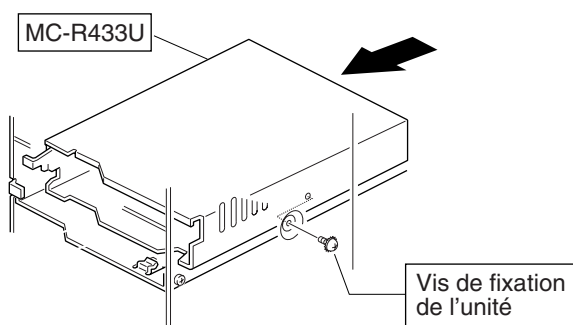
<Section du magasin des unités MC-8200U>

1. Installez les unités dans les racks n°1 à 6 (n°1 à 4 pour le MC-8100U) dans cet ordre.
  - Installer les unités du numéro le plus bas vers le plus haut facilite l'installation.

## Installation du MC-R433U dans la bibliothèque CD/DVD



<Direction d'installation du MC-R433U>



<Méthode de fixation du MC-R433U>

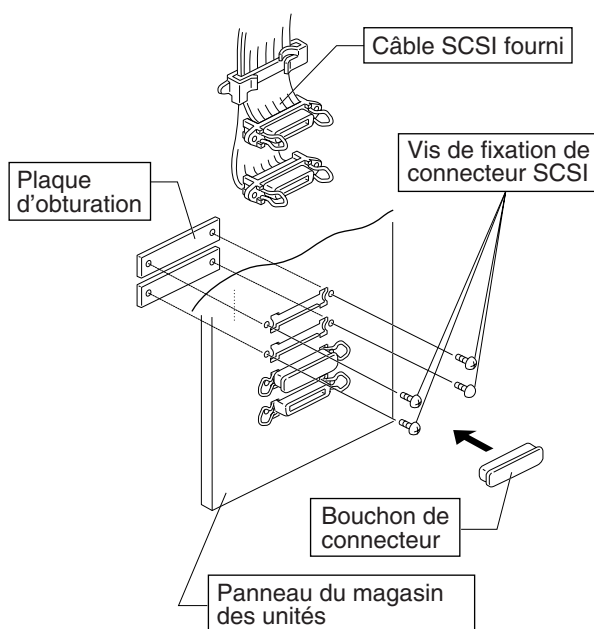
- 1.** Insérez le MC-R433U par l'arrière de la bibliothèque CD/DVD.
  - Faites attention de ne pas endommager le palpeur.
  - Insérez le MC-R433U dans le sens correct.
  - Veillez à ce qu'aucun câble raccordé à l'arrière de la bibliothèque CD/DVD ne soit coincé à l'introduction du MC-R433U.
- 2.** Insérez le MC-R433U lentement jusqu'à faire coïncider l'orifice pour vis situé sur le côté du MC-R433U et l'orifice pour vis de la section de fixation d'unité.
- 3.** Serrez la vis de fixation de l'unité fournie dans l'orifice pour vis de la section de fixation d'unité.
  - Serrez fermement la vis.
  - Si la vis de fixation de l'unité est desserrée, l'unité et/ou la bibliothèque peut être endommagée.

## ETAPE 2 RACCORDEMENTS

- Raccordez le MC-R433U à la bibliothèque CD/DVD. Si nécessaire, deux canaux de bus SCSI ou plus sont utilisables en ajoutant le câble SCSI fourni. Si le DVD-R est enregistré par intermittence à cause d'une vitesse de transfert d'enregistrement insuffisante sur le bus SCSI, la qualité de l'enregistrement pourra se détériorer et la lecture mal fonctionner. Consultez aussi le manuel d'instructions de la bibliothèque CD/DVD.

### Fixation du câble SCSI fourni

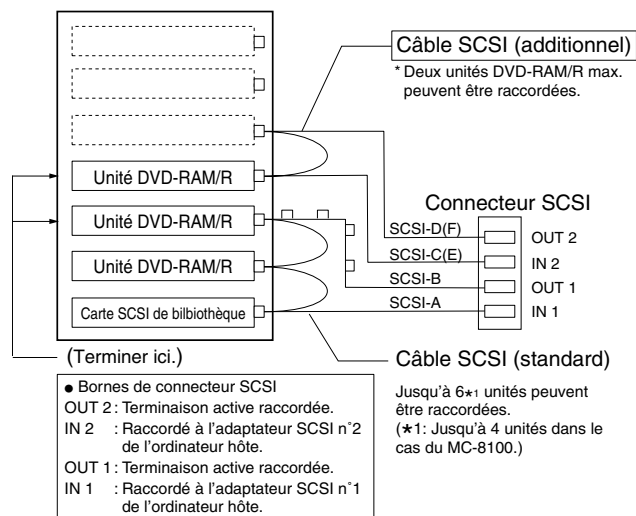
\* Si le câble SCSI fourni n'est pas utilisé, passez à "Raccordement des câbles à l'arrière du MC-R433U" à la page suivante.



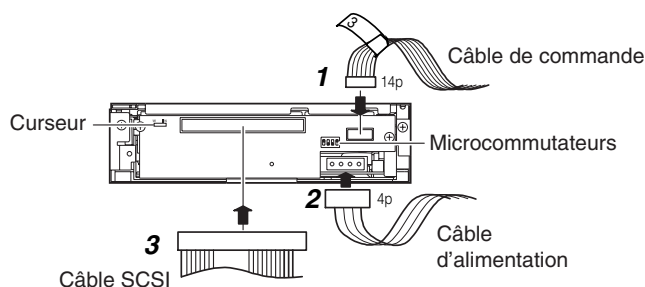
<Méthode de raccordement du câble SCSI fourni>

- 1.** Pour retirer les deux plaques d'obturation, déposez les quatre vis de la section d'installation du connecteur SCSI à l'arrière de la bibliothèque CD/DVD (panneau du magasin des unités).
- 2.** Insérez le câble SCSI fourni par le trou d'installation de l'intérieur du panneau du magasin des unités et immobilisez-le avec les quatre vis.
  - Retirez le bouchon de connecteur du câble SCSI pour l'installation.
  - Vérifiez que le connecteur SCSI est inséré dans le bon sens. (Il doit être dans le même sens que le connecteur SCSI "SCSI-A".)
- 3.** Placez le bouchon de connecteur sur le côté OUT du connecteur SCSI ("SCSI-P") si le câble ou la terminaison ne sont pas raccordés.

## Raccordement des câbles à l'arrière du MC-R433U



<Exemple de raccordement du MC-R433U>



<Panneau arrière du MC-R433U>

**1.** Raccordez le câble d'alimentation, le câble de commande et le câble SCSI aux connecteurs à l'arrière du MC-R433U.

■ Avec le MC-8100U, le numéro du câble doit toujours correspondre au numéro du rack du lecteur auquel il est raccordé. Si vous connectez un câble portant un numéro incorrect, l'appareil ne fonctionnera pas correctement.

■ Pour utiliser le MC-8200U/8600U, raccordez les câbles d'alimentation et de commande du côté du rack MC-R433U à l'unité.

■ Raccordez fermement tous les connecteurs.

■ Les câbles SCSI sont raccordés en guirlande. Chaque connecteur doit être raccordé à un emplacement d'unité, comme le montre le croquis.

■ Terminez chaque point là où le bus SCSI est terminé physiquement.

• Réglage des terminaisons intégrées

☞ "Réglages des microcommutateurs" à la page 5

• Réglage des terminaisons externes:

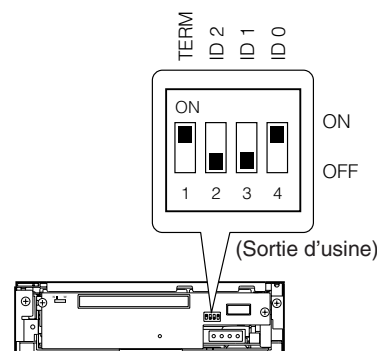
L'emploi de terminaisons actives est recommandé.

## ETAPE 3 CONFIGURATION

● Réglez le n° ID SCSI du MC-R433U et refermez la porte de la bibliothèque CD/DVD.

Vérifiez que l'alimentation de la bibliothèque CD/DVD est coupée au déplacement des microcommutateurs. Pour les détails sur le réglage de cet appareil à la sortie d'usine, voyez la section "DETERMINATION DES N° ID SCSI" du mode d'emploi de la bibliothèque CD/DVD.

## Réglage des microcommutateurs



<Réglage des microcommutateurs du MC-R433U sur le panneau arrière>

**1.** TERM: Sélection de l'emploi des terminaisons intégrées

■ A l'emploi des terminaisons intégrées:

• Quand l'unité MC-R433U est placée à un point où le bus SCSI est terminé physiquement, réglez son TERM à ON.

• Réglez les TERM des autres unités MC-R433U à OFF.

■ Si les terminaisons intégrées ne sont pas utilisées:

• Fixez des terminaisons externes sur les bornes OUT du connecteur SCSI.

• Si vous utilisez une terminaison externe, réglez tous les TERM de MC-R433U à OFF.

■ L'emploi d'une terminaison active externe est recommandée pour améliorer la stabilité des communications du bus SCSI.

**2.** ID2, ID1, ID0: Réglage du n° ID SCSI de chaque unité

■ Au réglage du n° ID SCSI, utilisez un numéro non utilisé par d'autres périphériques SCSI du même bus.

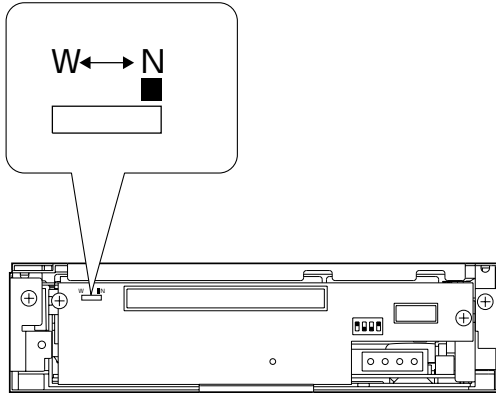
<Réglages du n° ID SCSI et des microcommutateurs>

N° ID SCSI	Commutateur		
	ID2	ID1	ID0
0	OFF	OFF	OFF
1 *	OFF	OFF	ON
2	OFF	ON	OFF
3	OFF	ON	ON
4	ON	OFF	OFF
5	ON	OFF	ON
6	ON	ON	OFF
7	ON	ON	ON

\*: Réglage usine

## ● **ETAPE 3** CONFIGURATION (suite)

### Réglage du curseur



<Position du curseur sur le panneau arrière MC-R433U>

1. Vérifiez que le curseur est réglé sur N.
  - La position W est prévue uniquement pour le personnel de service. L'utilisateur ne doit pas s'en servir.

### Fixation du panneau du magasin des unités de la bibliothèque CD/DVD

1. Fixez le panneau avec les vis retirées au cours de la procédure
  - ☞ "Ouverture du panneau du magasin des unités de la bibliothèque CD/DVD" à la page 3

### Fermeture de la porte de la bibliothèque CD/DVD

1. Refermez la porte, puis verrouillez la serrure.

## ● **ETAPE 4** EXECUTION DU MODE DE DETECTION AUTOMATIQUE DE LECTEUR

- Exécutez le mode de détection automatique de lecteur de la bibliothèque CD/DVD.  
Consultez le manuel d'instructions de la bibliothèque CD/DVD pour le mode de détection automatique de lecteur.

### ATTENTION

- Refermez bien le panneau du magasin des unités et la porte de la bibliothèque CD/DVD avant la mise sous tension.
- Après l'installation, l'addition, le remplacement ou la dépose d'unités, n'oubliez pas d'exécuter le mode de détection automatique de lecteur. Sinon un mauvais fonctionnement est possible.
- Après l'installation, l'addition, le remplacement ou la dépose d'unités, ou le changement du n° ID SCSI, mettez l'ordinateur hôte hors tension puis à nouveau sous tension.

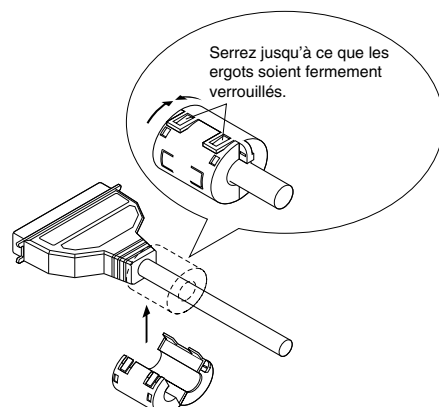
### Exécution du mode de détection automatique de lecteur de la bibliothèque CD/DVD

1. Mettez la bibliothèque sous tension en maintenant la touche "8" du panneau de commande pressée.
2. Mettez la bibliothèque hors tension quand l'affichage LCD indique "DRIVE DETECTION COMPLETED".
3. Remettez la bibliothèque sous tension.
  - DRIVE DISPLAY de la bibliothèque CD/DVD affiche cette unité en tant que "DVD-RAM".

### Raccordement de la bibliothèque CD/DVD à l'ordinateur hôte

- A l'emploi d'un câble SCSI externe, utilisez un câble blindé SCSI-2 haute impédance et fixez les pinces en ferrite fournies.

<Fixation de la ferrite ①>

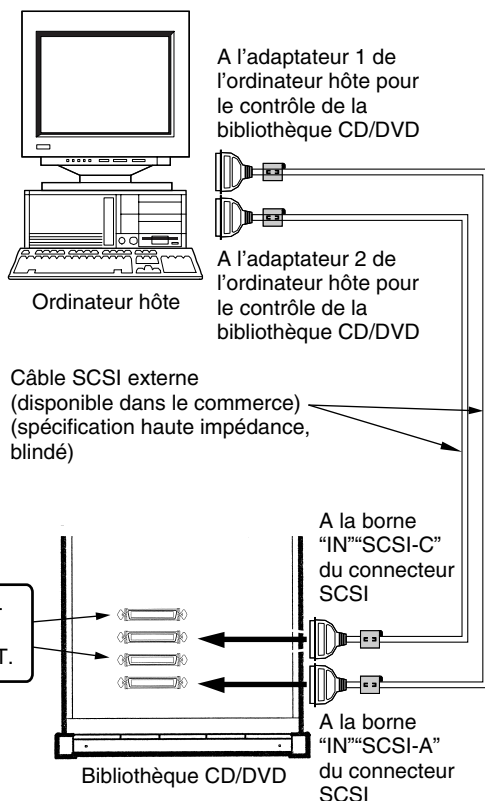
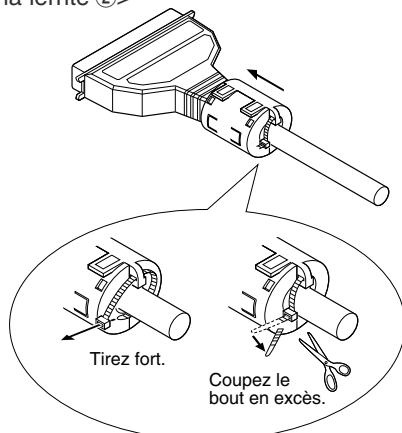




# SPECIFICATIONS

## Raccordement de la bibliothèque CD/DVD à l'ordinateur hôte (suite)

<Fixation de la ferrite ②>



<Exemple de connexion de système 2 de câble SCSI>

- Faites attention à la longueur totale du câble SCSI incluant les câbles SCSI intégré et externe. Un mauvais fonctionnement est possible si la longueur totale dépasse le chiffre ci-dessous.
  - SCSI-2, opération synchro 20 Mo/sec. : 3 mètres (2 unités max. peuvent être raccordées.)
  - SCSI-2, opération synchro 10 Mo/sec. : 3 mètres
  - SCSI-2, opération synchro 5 Mo/sec. : 6 mètres
- \*Le câble SCSI fourni a 1 m.
- Consultez "RACCORDEMENT DES CABLES DE SIGNALISATION ET DU CORDON SECTEUR" dans le mode d'emploi de la bibliothèque CD/DVD pour les recommandations de longueur pour le câble à l'intérieur de la bibliothèque.
- Verrouillez les connecteurs des câbles SCSI externes après le raccordement.

### ■ Interface SCSI-2

### ■ Vitesse de transfert

Soutenu (quand la vitesse de transfert synchro maximum de l'adaptateur maître est réglée à 20 Mo/sec.)

DVD-RAM	2,77 Mo/sec. (2X)
(Ver. 2.1: 4,7 Go une face ou 9,4 Go deux faces)	
DVD-RAM	1,38 Mo/sec. (1X)
(Ver. 1.0: 2,6 Go une face, lecture seulement)	
DVD-R	2,77 Mo/sec. (2X max.) (inscription)
(Ver. 2.1: Une face 4,7 Go ou double face 9,4 Go)	
DVD-R	8.31 Mo/sec. (6X max.) (lecture)
(Ver. 2.1: Une face 4,7 Go ou double face 9,4 Go)	
DVD-ROM	10 Mo/sec.
(une couche, 7X max. : CAV)	
CR-ROM	1,5 à 4,8 Mo/sec.
(32X max: CAV)	
CD-R	1,8 Mo/s max. (inscription)
(12X max.)	
CD-RW	1,2 Mo/s max. (inscription)
(8X max.)	

Salve (quand la vitesse de transfert synchro maximum de l'adaptateur maître est réglée à 20 Mo/sec.)

8 Mo/sec. max. (transfert asynchrone)
10 Mo/sec. max. (transfert synchrone)

### ■ Temps d'accès moyen (1/3 segment)

DVD-R (4,7 Go pour ordinaire)	:145 ms
DVD-ROM (une couche)	:130 ms
DVD-RAM (4,7 Go)	:185 ms
DVD-RAM (2,6 Go)	:195 ms
CD-ROM	:130 ms

\* Les valeurs ci-dessus ont été mesurées avec la méthode de mesure JVC.

### ■ Capacité tampon 2 Mo

### ■ Comptage d'écriture additionnel (DVD-R pour ordinaire, 4,7 Go)

500 fois typique (quand un disque et une unité sont combinés)
15 fois typique (quand un disque et plusieurs unités sont combinés)

### ■ Dimensions

(lxhxp) 171 x 47,5 x 240 mm

### ■ Poids:

1,5 kg

### ■ Accessoires

Câble SCSI (avec bouchon de connecteur, 1 m de longueur)	..... x1
Ferrite (avec serre-câble)	..... x2
ROM	..... x3
Vis de fixation d'unité	..... x2

# SPECIFICATIONS (suite)

---

## ■ Disques applicables

DVD-R 4.7 GB (Ver. 2.0 à usage général)

Disques recommandés: Une face 4,7 Go

Matsushita Electric Corp.

Mitsubishi Kagaku Media Corp.

Hitachi Maxell Ltd.

TDK Corp.

Taiyo Yuden Co., Ltd.

Disques recommandés: double face 9,4 Go

Mitsubishi Kagaku Media Corp.

Hitachi Maxell Ltd.

DVD-R 3.95 GB (Ver. 1.0, Disc at once, lecture seulement)

DVD-ROM

DVD-RAM (Ver. 2.1, une face 4,7 Go, double face 9,4 Go)

Matsushita Electric Corp.

Hitachi Maxell Ltd.

DVD-RAM (Ver. 1.0, une face 2,6 Go, lecture seulement)

CD-ROM (Mode-1, Mode-2, etc.)

CD-R

Ricoh Company Ltd.

Mitsubishi Kagaku Media Corp.

Hitachi Maxell Ltd.

TDK Corp.

Taiyo Yuden Co., Ltd.

Mitsui Chemicals, Inc.

CD-RW

Ricoh Company Ltd.

Mitsubishi Kagaku Media Corp.

**\* Remarque 1: Il est recommandé de graver et de lire les disques DVD-R, DVD-RAM, CD-R et CD-RW en utilisant des lecteurs du même modèle. Si des lecteurs de modèles différents sont utilisés pour la gravure et la lecture, les disques de certains fabricants ou lots de production peuvent ne pas assurer totalement leurs performances.**

**\* Remarque 2: Seuls les disques à diamètre de 120 mm sont applicables.**

**\* Remarque 3: Utilisez des DVD-R, CD-R et CD-RW conformes à la vitesse d'inscription optimale. Même si des disques appropriés sont utilisés, des performances adéquates peuvent ne pas être obtenues selon le fabricant de disque ou la compatibilité du lot de production.**

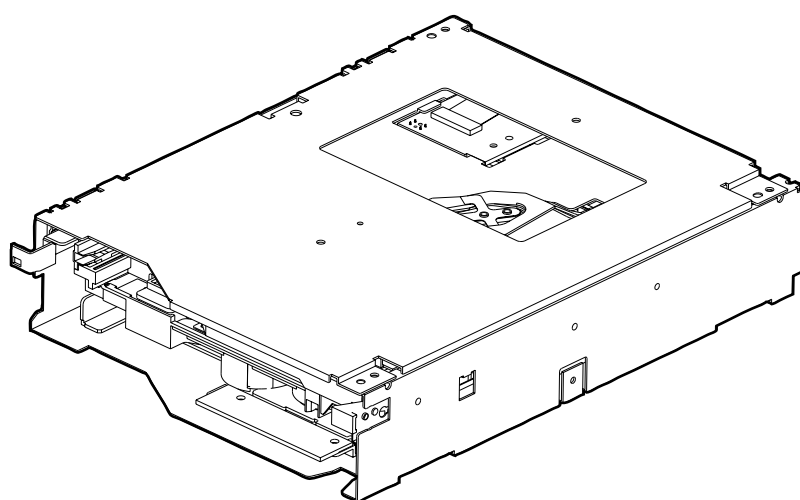
■ Conception et spécifications sont sujettes à modification sans préavis.



DVD-RAM/R驱动器

**MC-R433U**

使用说明书



文  
中

# 设置程序

请按以下程序设置本机。

## STEP 1 安装

- 将 MC-R433U 装入 CD/DVD 光盘库。
  - 打开光盘库的机门
  - 卸下光盘库的驱动器仓门
  - 决定 MC-R433U 的安装位置
  - 安装 MC-R433U

 第 3 页

## STEP 2 连接

- 连接 MC-R433U 和 CD/DVD 光盘库之间的电缆
  - 连接附件中的 SCSI 电缆
  - 连接 MC-R433U 背面的电缆

 第 4 页

## STEP 3 设定

- 设定 MC-R433U 的 SCSI 识别码，然后关上光盘库的机门。
  - 设定双列直插式开关
  - 设定滑动开关
  - 安装光盘库的驱动器仓门
  - 关上光盘库的机门

 第 5 页

## STEP 4 驱动器自动检测

- 实行驱动器自动检测状态后连接主控计算机。
  - 起动光盘库的驱动器自动检测状态。
  - 连接光盘库和主控计算机。

 第 6 页

## 使用前的注意事项

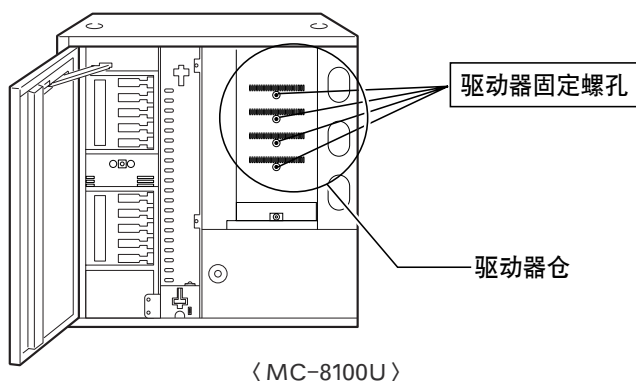
- 此驱动器是 JVC “CD/DVD 光盘库” MC-8100U/8200U/8600U 专用的 DVD-RAM/R 驱动器。
- 将驱动器装入已开始使用的光盘库之前，请仔细阅读使用说明书。
- 此驱动器不能单独使用。
- 此驱动器不能用于以下光盘库：
  - CD-ROM 光盘库：MC-1000 系列和 MC-2000 系列
  - DVD-RAM 光盘库：MC-7000 系列
- 关于适用于本机的光盘请参考最后一页的规格表。
- 在安装此驱动器之前应使用本机附件中的 ROM 换下 CD/DVD 光盘库的 ROM。
- 固件的升级情报或 ROM 的更换方法请向销售商店或 JVC 维修中心咨询。
- 装在 CD/DVD 光盘库中的六台驱动器中包括三台以上 MC-R433U 时，其连接方法请向销售商店或 JVC 维修中心咨询。
- CD/DVD 光盘库中装有六台 MC-R433U 驱动器时，请在 5°C ~ 30°C 的环境下使用光盘库。

1. **危险**：在打开本机时，不可见激光发射器可能被损坏或失效。避免直接将其暴露在光线之下。
2. **注意**：请不要打开顶盖，本机内部没有用户可维修的部分，必要时请向专业人员咨询。

## STEP 1 安装

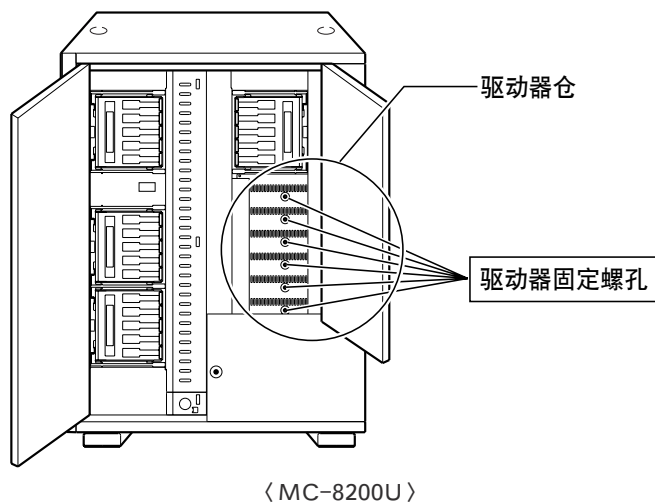
- 将 MC-R433U 装入 CD/DVD 光盘库。
- 安装驱动器之前请切断主控计算机和其他装置的电源。有关 CD/DVD 光盘库的说明请参考光盘库的使用说明书。

### 打开光盘库的机门



〈MC-8100U〉

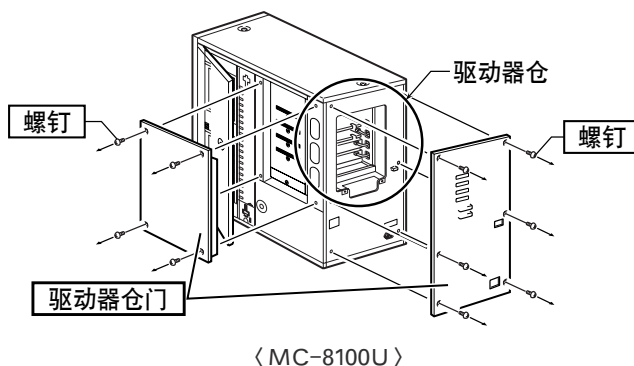
\* 为了方便解说，插图为了卸下了驱动器仓门后的图样。



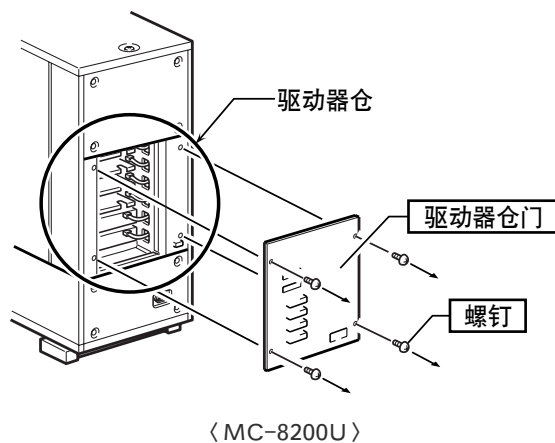
〈MC-8200U〉

1. 使 CD/DVD 光盘库的液晶显示器上显示菜单画面，然后选择“DOOR OPEN MODE”。
2. 持续 5 秒以上按“SELECT”按钮。
3. 液晶显示器上显示出“THE DOOR CAN BE OPENED”后切断光盘库的电源。
4. 将钥匙插入机门中间的钥匙孔后打开机门。

### 卸下光盘库的驱动器仓门



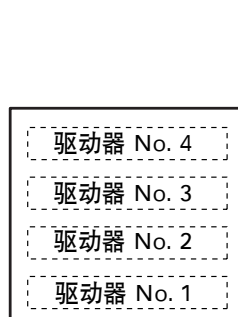
〈MC-8100U〉



〈MC-8200U〉

1. 卸下固定驱动器仓门的螺钉。
2. 卸下驱动器仓门。

### 决定 MC-R433U 的安装位置



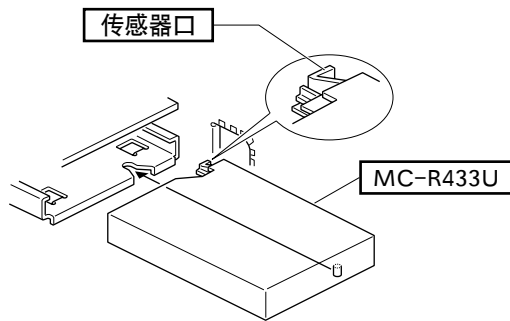
〈MC-8100U 的驱动器仓〉



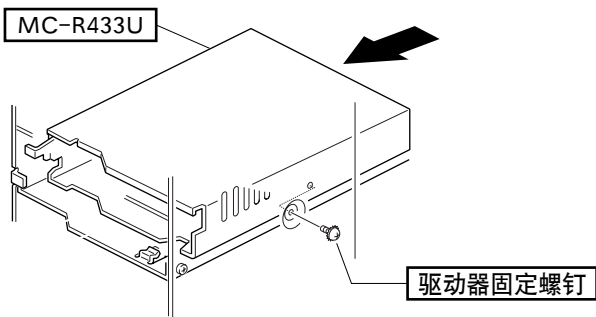
〈MC-8200U 的驱动器仓〉

1. 按照 No. 1 至 No. 6 (MC-8100U : No. 1 至 No. 4) 的顺序安装驱动器。
  - 从 No. 1 开始向上安装的话会使下一阶段的操作顺利进行。

## 安装 MC-R433U



〈MC-R433U 的插入方向〉



〈MC-R433U 的固定方法〉

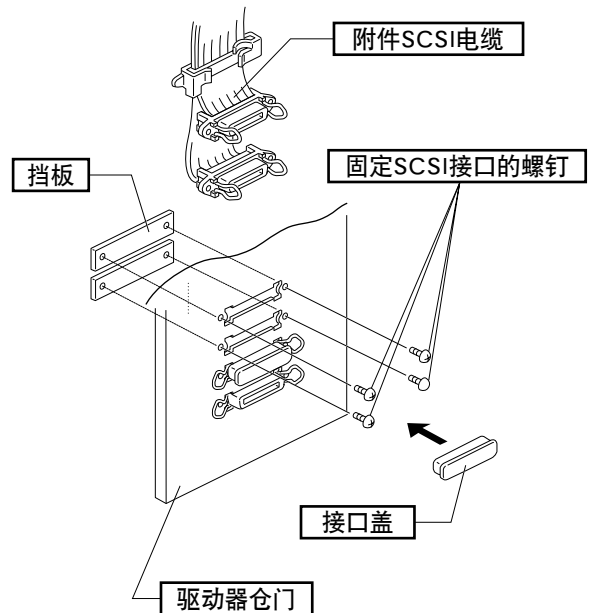
1. 从光盘库后面插入 MC-R433U 驱动器。
  - 请注意不要损坏传感器口。
  - 请注意 MC-R433U 的插入方向。
  - 插入 MC-R433U 时请注意不要夹住光盘库后面的电缆。
2. 慢慢地插入 MC-R433U 驱动器，使其侧面的螺孔和驱动器仓的螺孔吻合。
3. 将附件中的驱动器固定螺钉装入固定驱动器的安装孔内。
  - 一定要旋紧螺钉。
  - 螺钉变松后会损坏驱动器或光盘库。

## STEP2 连接

- 连接 MC-R433U 和 CD/DVD 光盘库之间的电缆。请根据具体情况增设 SCSI 电缆，使用 2 系统以上的 SCSI 总线。在往 DVD-R 上记录数据的过程中，如果 SCSI 总线的传送率太低，将出现不连续数据等现象，影响记录质量，导致重放不良。请同时参考 CD/DVD 光盘库的使用说明书。

## 连接附件中的 SCSI 电缆

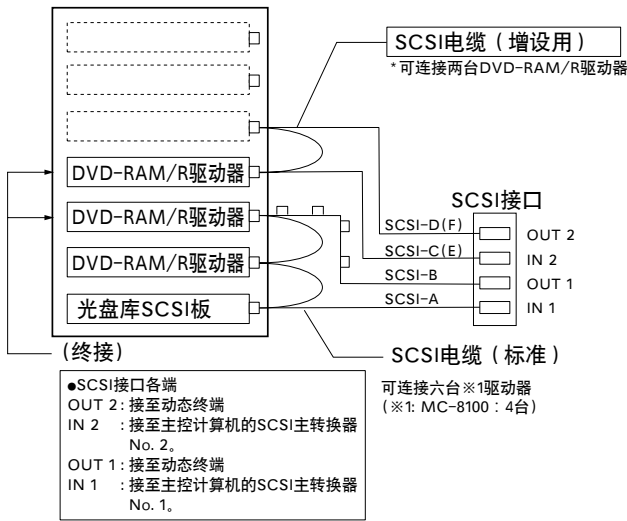
\* 不使用附件中的 SCSI 电缆时，请实施下一步“连接 MC-R433U 背面的电缆”。



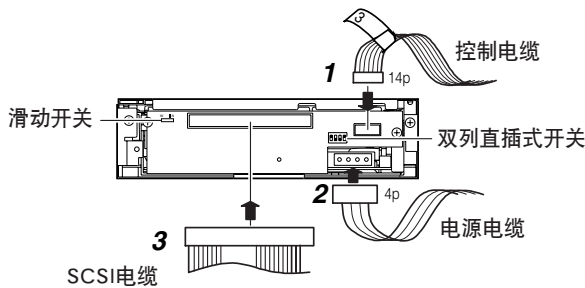
〈附件 SCSI 电缆的安装方法〉

1. 卸下光盘库后面（驱动器仓门）的 SCSI 接口部的四颗螺钉，卸下两块挡板。
2. 将附件中的 SCSI 电缆从驱动器仓门的里面插入安装孔，然后用四颗螺钉固定。
  - 安装时请取下 SCSI 电缆的接口盖。
  - 请注意 SCSI 接口的方向。（与 SCSI 接口“SCSI-A”的方向相同）
3. SCSI 接口的输出端 SCSI-D 如果不连接电缆时请盖上接口盖。

## 连接 MC-R433U 背面的电缆



〈MC-R433U 的连接例子〉



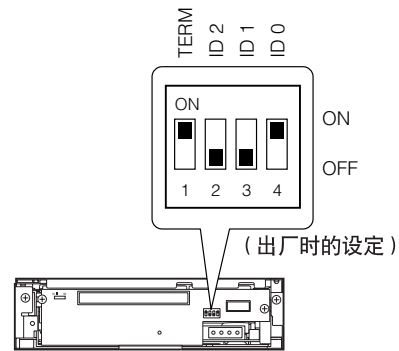
〈MC-R433U 的背面〉

- 将电源电缆、控制电缆、SCSI 电缆接至 MC-R433U 背面的各接口。
  - 使用 MC-8100U 光盘库时，电缆应连接到标有相同编号的驱动器安装区上。如果连接了不同编号的电缆，驱动器不能正常运转。
  - 使用 MC-8200U/8600U 时，应连接插入了 MC-R433U 的安装区旁边的电源电缆和控制电缆。
  - 一定要确实接好各插头。
  - SCSI 电缆采用了菊花链接方式，请按上图所示顺序连接各接口。
  - 请在 SCSI 总线的物理终端进行终接。
    - 内部终端的设定  
 设定方法请参考第 5 页“设定双列直插式开关”。
    - 外部终端的设定  
 建议使用动态终端。

## STEP3 设定

- 设定 MC-R433U 的 SCSI 识别码，然后关上光盘库的机门。  
 设定双列直插式开关时一定要切断 CD/DVD 光盘库的电源。  
 有关光盘库出厂时的设定请参考光盘库使用说明书中的“SCSI 识别码的设定”一节。

## 设定双列直插式开关



〈MC-R433U 背面双列直插式开关的位置〉

- TERM: 选择内藏终端。
  - 使用内藏终端时
    - 处于 SCSI 总线的物理终端位置上的 MC-R433U 的 TERM 应设定为 ON。
    - 其他的 MC-R433U 的 TERM 应设定为 OFF。
  - 不使用内藏终端时
    - 请在 SCSI 接口的 OUT 一侧连接外部终端。
    - 使用外部终端时请将所有 MC-R433U 的 TERM 设定为 OFF。
  - 为了提高 SCSI 总线在通讯时的稳定性建议使用外部终端。
- 在 ID2、ID1 和 ID0 设定驱动器的 SCSI 识别码。
  - 设定识别码时请使用同一总线上以 SCSI 方式连接的机器没有使用的编号。

〈SCSI 识别码和双列直插式开关的设定〉

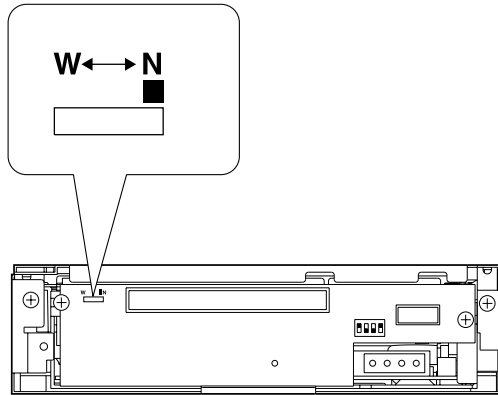
SCSI 识别码	双列直插式开关		
	ID2	ID1	ID0
0	OFF	OFF	OFF
1*	OFF	OFF	ON
2	OFF	ON	OFF
3	OFF	ON	ON
4	ON	OFF	OFF
5	ON	OFF	ON
6	ON	ON	OFF
7	ON	ON	ON

带有\*记号的数字为出厂时的设定。



## STEP3 设定 (续)

### 设定滑动开关



〈MC-R433U 背面的滑动开关的位置〉

1. 确认滑动开关被设定在 N 侧。  
■ W 侧用于维修，用户不能使用。

### 安装光盘库的驱动器仓门

1. 使用卸下的螺钉安装仓门。  
☞ 第 3 页 “卸下光盘库的驱动器仓门”

### 关上光盘库的机门

1. 关上门，锁上门锁。

## STEP4 驱动器自动检测

- 实行驱动器自动检测状态。  
有关驱动器自动检测状态的详细内容请参考 CD/DVD 光盘库的使用说明书。

#### 注意：

- 在接通电源之前一定要关上光盘库的机门、装好驱动器仓门。
- 在装卸、增设驱动器后一定要实施驱动器自动检测，否则可能造成运转不良。
- 在装卸、增设了驱动器或改变了 SCSI 识别码后一定要重新接通主控计算机的电源。

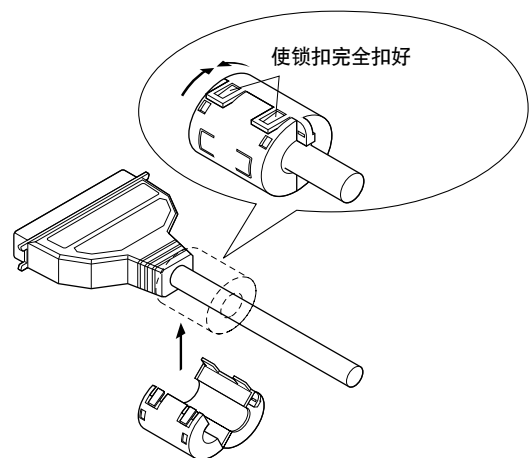
### 起动光盘库的驱动器自动检测状态

1. 一边按着光盘库控制面板上的按钮“8”一边接通电源。
2. 液晶显示器上显示了“DRIVE DETECTION COMPLETED”后切断电源。
3. 再次接通电源。  
■ 选择了显示驱动器种类的项目 (DRIVE DISPLAY) 后将显示“DVD-RAM”

### 连接光盘库和主控计算机

- 外部 SCSI 电缆请使用高阻抗、并带有屏蔽层的 SCSI-2 规格的电缆，并安装附件中的滤波夹。

#### 〈滤波夹的安装方法①〉



# 规格

## ■ 接口：SCSI-2

## ■ 数据传送率

持续（主转换器的最大同步传送率设定为 20 Mbytes/s 时）

DVD-RAM 2.77 Mbytes/s（最大 2 倍速）  
（Ver. 2.1：单面 4.7 GB，双面 9.4 GB）

DVD-RAM 1.38 Mbytes/s（最大 2 倍速）  
（Ver. 1.0：单面 2.6 GB，只能读取）

DVD-R 2.77 Mbytes/s（刻写）  
（Ver. 2.1：单面 4.7 GB，双面 9.4 GB）

DVD-R 最大 8.31 Mbytes/s（最大 6 倍速）（读取）  
（Ver. 2.1：单面 4.7 GB，双面 9.4 GB）

DVD-ROM 10 Mbytes/s  
（单层）

CD-ROM 1.5 Mbytes/s ~ 4.8 Mbytes/s  
（最大 32 倍速：CAV）

CD-R 最大 1.8 Mbytes/s（刻写）  
（最大 12 倍速）

CD-RW 最大 1.2 Mbytes/s（刻写）  
（最大 8 倍速）

脉冲（主转换器的最大同步传送率设定为 20 Mbytes/s 时）

非同步传送时：最大 8 Mbytes/s

同步传送时：最大 10 Mbytes/s

## ■ 平均存取时间（1/3 冲程）

DVD-R（4.7 GB，通用型）：145 ms

DVD-ROM（单层）：130 ms

DVD-RAM（4.7 GB）：185 ms

DVD-RAM（2.6 GB）：195 ms

CD-ROM：130 ms

\* 各项数值基于 JVC 的测定方法。

## ■ 缓冲寄存容量

2 Mbytes/s

## ■ 允许刻写次数（4.7 GB 通用型 DVD-R）

500 次（同一张光盘在同一台刻写机上刻写时的标准次数）

15 次（同一张光盘在多台刻写机上刻写时的标准次数）

## ■ 外型尺寸

240 mm（长）× 171 mm（宽）× 47.5 mm（高）

## ■ 重量

1.5 kg

## ■ 附件

SCSI 电缆（带接口盖，长 1 m）..... 1

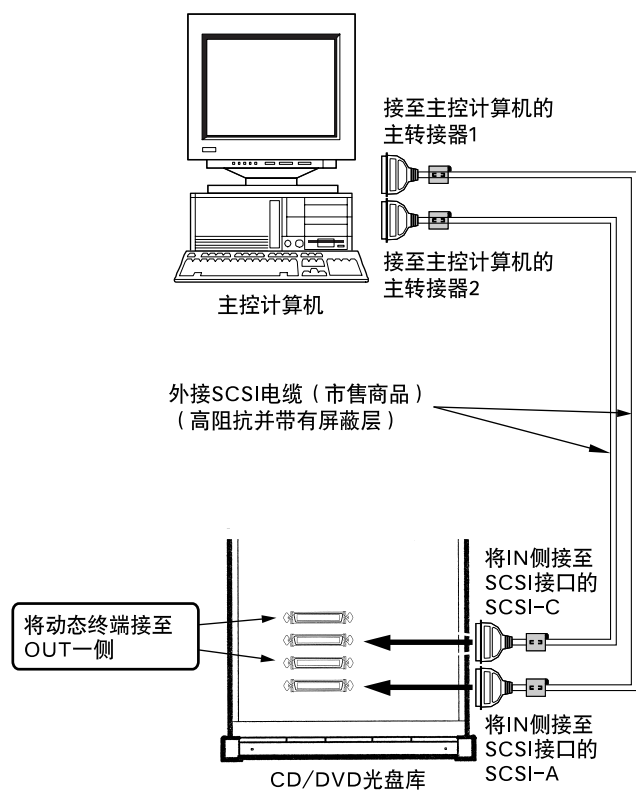
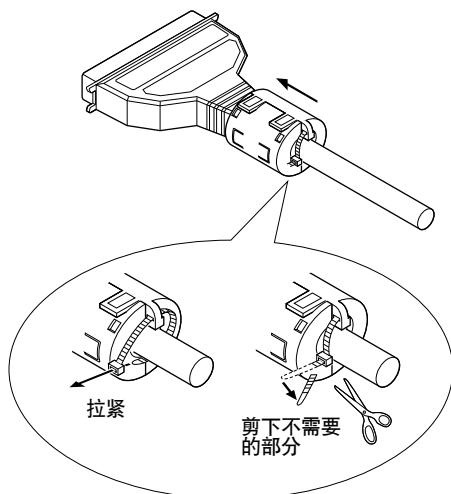
滤波夹（带绑线）..... 2

ROM ..... 3

驱动器固定螺钉 ..... 2

## 连接光盘库和主控计算机（续）

〈滤波夹的安装方法②〉



〈2 系统 SCSI 电缆的连接例子〉

■ 一定要注意内部 SCSI 电缆和外部 SCSI 电缆的全长不能超过下列数值，否则将导致异常。

· SCSI-2 规格、20 Mbytes/s、同步 : 3 m（可连接两台驱动器）

· CSI-2 规格、10 Mbytes/s、同步 : 3 m

· SCSI-2 规格、5 Mbytes/s、非同步 : 6 m

※ 附件中的 SCSI 电缆的长度为 1 米。

■ 光盘库内部可容纳的 SCSI 电缆的长度请参考光盘库使用说明书中的“SCSI 电缆和电源电缆的连接”一节。

■ SCSI 接口上连接了外部电缆后一定要扣上锁扣。

# 规格 (续)

## ■ 适用光盘

DVD-R 4.7 GB (Ver. 2.0 通用型)

推荐光盘 / 单面 4.7 GB

Matsushita Electric Corp.

MITSUBISHI KAGAKU MEDIA CO., Ltd.

Hitachi Maxell Ltd.

TDK Corp.

Taiyo Yuden Co., Ltd.

推荐光盘 / 双面 9.4 GB

MITSUBISHI KAGAKU MEDIA CO., Ltd.

Hitachi Maxell Ltd.

DVD-R 3.95 GB (Ver. 1.0, 一次性光盘, 只能读取)

DVD-ROM

DVD-RAM (Ver. 2.1, 单面 4.7 GB, 双面 9.4 GB)

Matsushita Electric Corp.

Mitsubishi Kagaku Media Corp.

DVD-RAM (Ver. 1.0: 单面 2.6 GB, 只能读取)

CD-ROM (Mode-1, Mode-2 等)

CD-R

Ricoh Company Ltd.

Mitsubishi Kagaku Media Corp.

Hitachi Maxell Ltd.

TDK Corp.

Taiyo Yuden Co., Ltd.

Mitsui Chemicals, Inc.

CD-RW

Ricoh Company Ltd.

Mitsubishi Kagaku Media Corp.

\* 注1 : 建议在同一型号的刻写机上刻写或读取 DVD-R、DVD-RAM、CD-R 和 CD-RW。如果刻写和读取的机型不同时, 不同生产厂家或不同生产批号的光盘可能表现出不同的性能。

\* 注2 : 本机只能使用直径为 120 mm 的光盘。

\* 注3 : 在刻写 DVD-R、CD-R、CD-RW 时应使用适合于刻写速度的光盘。但是由于光盘的生产厂家或生产批号不同, 光盘所表现出的性能也可能不同。

■ 本机的规格和外观可能会有变更, 恕不另行通知。

# JVC®

VICTOR COMPANY OF JAPAN, LIMITED

JVC® is a registered Trademark owned by VICTOR COMPANY OF JAPAN, LTD.

JVC® is a registered Trademark in JAPAN, the U.S.A., the U.K. and many other countries.

© 2003 VICTOR COMPANY OF JAPAN, LIMITED

Download from [Www.Somanuals.com](http://Www.Somanuals.com). All Manuals Search And Download.

Printed in Japan  
LST0122-001A

## Free Manuals Download Website

<http://myh66.com>

<http://usermanuals.us>

<http://www.somanuals.com>

<http://www.4manuals.cc>

<http://www.manual-lib.com>

<http://www.404manual.com>

<http://www.luxmanual.com>

<http://aubethermostatmanual.com>

Golf course search by state

<http://golfingnear.com>

Email search by domain

<http://emailbydomain.com>

Auto manuals search

<http://auto.somanuals.com>

TV manuals search

<http://tv.somanuals.com>