

# JVC

## DIGITAL VIDEO CAMERA

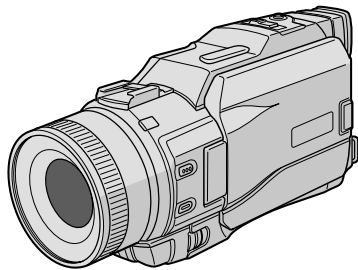
# GR-DV3000

Please visit our Homepage on the World Wide Web and answer our Consumer Survey (in English only):

<http://www.jvc-victor.co.jp/english/index-e.html>

For Accessories:

<http://www.jvc-victor.co.jp/english/accessory/>



Mini DV PAL  
DSC  
DIGITAL  
STILL CAMERA

## INSTRUCTIONS

ENGLISH

### CONTENTS

**AUTOMATIC DEMONSTRATION** 7

**GETTING STARTED** 8 - 17

**BASIC RECORDING** 18 - 24

Recording On Tape ..... 18

Recording On Memory Card ..... 21

Recording On Tape And Memory Card ..... 22

**BASIC PLAYBACK** 25 - 27

Playback From Tape ..... 25

Playback From Memory Card ..... 26

**USING MENUS FOR  
DETAILED ADJUSTMENT** 28 - 33

**ADVANCED FEATURES** 34 - 53

**CONNECTIONS** 54 - 57

Basic Connections ..... 54

Advanced Connections ..... 56

**DUBBING** 58 - 61

Dubbing To A VCR ..... 58

Dubbing From A VCR ..... 59

Dubbing To Or From A Video Unit  
Equipped With A DV Connector ..... 60

Dubbing Still Images Recorded  
On A Tape To A Memory Card ..... 61

**USING THE REMOTE  
CONTROL UNIT** 62 - 73

Slow-Motion Playback, Frame-By-Frame  
Playback and Playback Zoom ..... 64

Playback Special Effects ..... 65

Random Assemble Editing ..... 66

For More Accurate Editing ..... 70

Insert Editing ..... 71

Audio Dubbing ..... 72

**TROUBLESHOOTING** 74 - 79

**USER MAINTENANCE** 80

**INDEX** 81 - 88

Jack Box ..... 81

Controls, Connectors And Indicators ..... 82

Indications ..... 84

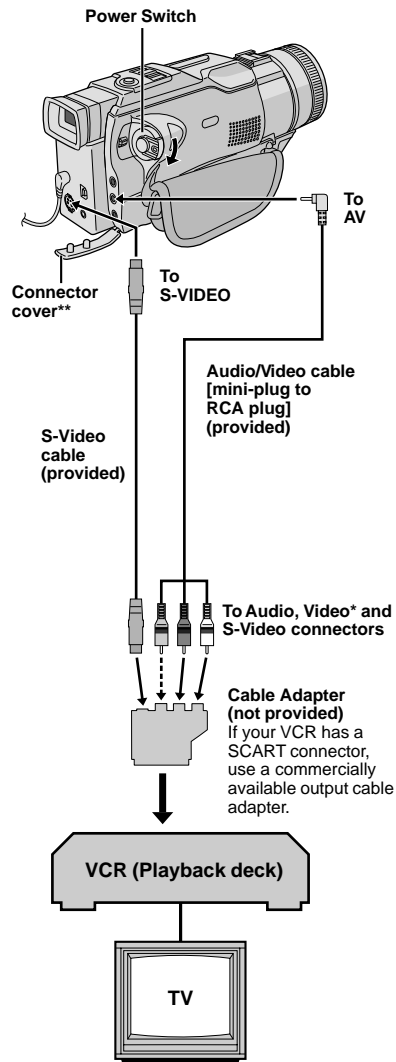
**CAUTIONS** 89 - 91

**TERMS** 92 - 93

**SPECIFICATIONS** 94 - 95

LYT0940-001A

**EN**



\* Connect when an S-Video cable is not used.  
 \*\* When connecting the cables, open this cover.

## Dubbing From A VCR

### [To Use This Camcorder As A Recorder]

- 1** Make sure all units are turned off, then connect the camcorder and the VCR as shown in the illustration. Also refer to pg. 54 and 55.
- 2** Set "SOUND MODE" to "12 BIT" or "16 BIT" and "REC MODE" to "SP" or "LP" in the Menu Screen depending on your preference (pg. 32).
- 3** Set the camcorder's Power Switch to "PLAY" while pressing down the Lock Button located on the switch. Turn on the VCR's power and insert the appropriate cassettes in the camcorder and the VCR.
- 4** Set "S/AV INPUT" to "ON" in the Menu Screen to engage the analogue input mode (pg. 32).
- 5** Press the Recording Start/Stop Button on the camcorder to engage the Record-Pause mode. "AV.IN" appears on the screen.
- 6** Engage the VCR's Play mode, then engage the Still Playback mode when you have found a spot just before the edit-in point.
- 7** Press the Recording Start/Stop Button on the camcorder to engage the Record mode. ⏪ rotates on the screen. Engage the VCR's Play mode.
- 8** To stop dubbing, press the Recording Start/Stop Button on the camcorder so that ⏪ stops rotating, then engage the VCR's Stop mode.
- 9** Repeat steps 6 through 8 for additional editing.
- 10** Set "S/AV INPUT" back to "OFF" in the Menu Screen to disengage the analogue input mode (pg. 32).

### NOTES:

- To use an output cable adapter (commercially available), refer to its instructions.
- It is recommended to use the AC Power Adapter/Charger as the power supply instead of the battery pack (pg. 9).
- Analogue signals can be converted to digital signals with this procedure.
- It is also possible to dub from another camcorder.

## Free Manuals Download Website

<http://myh66.com>

<http://usermanuals.us>

<http://www.somanuals.com>

<http://www.4manuals.cc>

<http://www.manual-lib.com>

<http://www.404manual.com>

<http://www.luxmanual.com>

<http://aubethermostatmanual.com>

Golf course search by state

<http://golfingnear.com>

Email search by domain

<http://emailbydomain.com>

Auto manuals search

<http://auto.somanuals.com>

TV manuals search

<http://tv.somanuals.com>