

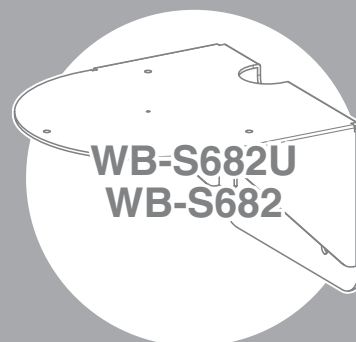
- WB-S681U Pendant Mount
- WB-S682U Wall Mount
- WB-S684U Outdoor Pendant Mount
- WB-S685U Ceiling Recessed Bracket

INSTRUCTIONS

Thank you for purchasing this product.

To obtain the best results from your bracket, read these instructions carefully before use; retain the manual for future reference.

The "INSTRUCTIONS" section below is applicable to WB-S681U/WB-S682U/WB-S684U/WB-S685U. Please refer to the installation procedures for the purchased product during installation.



- WB-S681 天井吊下げポール
- WB-S682 壁面取付けブラケット
- WB-S684 屋外用天井吊下げポール
- WB-S685 天井埋込ブラケット



取扱説明書

—お買い上げいただきありがとうございます—

ご使用前に、この「取扱説明書」をよくお読みください。そのあと大切に保管し、必要なおきにお読みください。

この「取扱説明書」は設置についても記載しています。設置の際は、よく読んで取り付けてください。本商品は修理対象外商品ですが、お買い上げの日付より1年間保証となります。

この「取扱説明書」はWB-S681/WB-S682/WB-S684/WB-S685共通になっています。設置の際にはお買い上げ商品の設置方法をご覧ください。

WB-S681/682/685は屋内専用、WB-S684は屋外専用です。



IMPORTANT SAFEGUARDS

1. Read all of these instructions.
2. Save these instructions for later use.
3. All warnings on the product and in the operating instructions should be adhered to.
4. Unplug this appliance system from the wall outlet before cleaning. Do not use liquid cleaners or aerosol cleaners. Use a damp cloth for cleaning.
5. Do not use attachments not recommended by the appliance manufacturer as they may cause hazards.
6. Do not use this appliance near water - for example, near a bathtub, washbowl, kitchen sink, or laundry tub, in a wet basement, or near a swimming pool, etc.
7. Do not place this appliance on an unstable cart, stand, or table. The appliance may fall, causing serious injury to a child or adult, and serious damage to the appliance may fall, causing serious injury to a child or adult, and serious damage to the appliance. Use only with a cart or stand recommended by the manufacturer, or sold with the appliance. Wall or shelf mounting should follow the manufacturer's instructions, and should use a mounting kit approved by the manufacturer. An appliance and cart combination should be moved with care. Quick stops, excessive force, and uneven surfaces may cause the appliance and cart combination to overturn.
8. Slots and openings in the cabinet and the back or bottom are provided for ventilation, and to insure reliable operation of the appliance and to protect it from overheating, these openings must not be blocked or covered. The openings should never be blocked by placing the appliance on a bed, sofa, rug, or other similar surface. This appliance should never be placed near or over a radiator or heat register. This appliance should not be placed in a built-in installation such as a bookcase unless proper ventilation is provided.
9. This appliance should be operated only from the type of power source indicated on the marking label. If you are not sure of the type of power supplied to your home, consult your dealer or local power company. For appliance designed to operate from battery power, refer to the operating instructions.
10. For added protection for this product during a lightning storm, or when it is left unattended and unused for long periods of time, unplug it from the wall outlet and disconnect the antenna or cable system. This will prevent damage to the product due to lightning and power-line surges.
11. Do not allow anything to rest on the power cord. Do not locate this appliance where the cord will be abused by persons walking on it.
12. Follow all warnings and instructions marked on the appliance.
13. Do not overload wall outlets and extension cords as this can result in fire or electric shock.
14. Never push objects of any kind into his appliance through cabinet slots as they may touch dangerous voltage points or short out parts that could result in a fire or electric shock. Never spill liquid of any kind on the appliance.
15. Do not attempt to service this appliance yourself as opening or removing covers may expose you to dangerous voltage or other hazards. Refer all servicing to qualified service personnel.
16. Unplug his appliance from the wall outlet and refer servicing to qualified service personnel under following conditions:
 - a. When the power cord or plug is damaged or frayed.
 - b. If liquid has been spilled into the appliance.
 - c. If the appliance has been exposed to rain or water.
 - d. If the appliance does not operate normally by following the operating instructions. Adjust only those controls that are covered by the operating instructions as improper adjustment of other controls may result in damage and will often require extensive work by a qualified technician to restore the appliance to normal operation.
 - e. If the appliance has been dropped or the cabinet has been damaged.
 - f. When the appliance exhibits a distinct change in performance - this indicates a need for service.
17. When replacement parts are required, be sure the service technician has used replacement parts specified by the manufacturer that have the same characteristics as the original part. Unauthorized substitutions may result in fire, electric shock, or other hazards.
18. Upon completion of any service or repairs to this appliance, ask the service technician to perform routine safety checks to determine that the appliance is in safe operating condition.

PORTABLE CART WARNING
(symbol provided by RETAC)



For USA and CANADA



The lightning flash with arrowhead symbol, within an equilateral triangle, is intended to alert the user to the presence of uninsulated "dangerous voltage" within the product's enclosure that may be of sufficient magnitude to constitute a risk of electric shock to persons.



The exclamation point within an equilateral triangle is intended to alert the user to the presence of important operating and maintenance (servicing) instructions in the literature accompanying the appliance.

WARNING

TO PREVENT FIRE OR SHOCK HAZARD, DO NOT EXPOSE THIS UNIT TO RAIN OR MOISTURE.(For WB-S681U,WB-S682U,WB-S685U)

ENGLISH

Dear Customer,

This apparatus is in conformance with the valid European directives and standards regarding electromagnetic compatibility and electrical safety.

European representative of Victor Company of Japan, Limited is:
JVC Technical Services Europe GmbH
Postfach 10 05 04
61145 Friedberg
Germany

DEUTSCH

Sehr geehrter Kunde, sehr geehrte Kundin,

dieses Gerät stimmt mit den gültigen europäischen Richtlinien und Normen bezüglich elektromagnetischer Verträglichkeit und elektrischer Sicherheit überein.

Die europäische Vertretung für die Victor Company of Japan, Limited ist:
JVC Technical Services Europe GmbH
Postfach 10 05 04
61145 Friedberg
Deutschland

Operating Precautions

- For safety reasons special techniques are necessary for installation. Consult your dealer regarding installation, and ensure that it is carried out by a specialist.
- Be sure to mount the safety wire for safety purposes. If it falls, it may cause injury or accidents.
- As the combination camera rotates at high speed, ensure that you install the camera at a location with sufficient strength to support the vibration and weight. If the ceiling material is not strong enough, apply reinforcement materials such as plaster board. If the reinforcement is weak or if the screws and nuts are not fully tightened, the vibration will cause fuzzy images on the monitor screen and the screen may even fall off in the worst case. (For WB-S681U, WB-S682U, WB-S685U only)
- Taking vibrations, mass and wind force into account, ensure to mount in a location with sufficient strength using solid anchor bolts. If reinforced or spiral nuts are not tightened enough, picture blurring may occur on the monitor screen due to vibration, and in the worst case there is a danger of falling.
- Do not dangle or shake this unit, place or hook any objects on the unit. If too much load is placed on top, it may fall and cause injury or accidents.
- If a ball or bird hits this unit, bringing about some sort of trouble, consult your dealer or the nearest Victor service center.
- Do not modify this unit yourself. Accidents may result.
- Do not install in locations where there may be vibrations or impact. If it falls, it may cause injury or accidents.
- Regularly check for the deterioration of attaching parts and the loosening of the screws caused by vibrations. If it falls, it may cause injury or accidents.
- Do not install the outdoor pendant mount (WB-S684U) at high locations of 16 m and above. Unexpected wind speed may cause the pendant mount to fall and result in accidents.
- The compatible cameras for each housing are as follows:
 - The suffix E of model No. specifies the exclusive variant for European market.
 - WB-S681U, WB-S682U, WB-S685U: VN-V686U, TK-C686E (For Europe)
 - WB-S684U: VN-V686WPU, TK-C686WPE (For Europe)
- Do not brush your fingers against the metal edges. You may get hurt.
- Inspect the camera regularly as rusty metals or screws will cause the camera to fall off and result in injuries or accidents. Ask your dealer for inspections.
- If there is any abnormality, stop using the camera, turn off the power immediately and contact your dealer.
- Do not insert foreign objects into the camera. Water or metals in the camera will cause fire or electric shocks.
- This equipment is intended for indoor use only. Do not use it outdoors or at places that are exposed to rain or moisture. (For WB-S681U, WB-S682U, WB-S685U)
- This unit may stop functioning properly due to natural hazards as it is to be installed outdoors. To take photographs properly, be sure to perform daily checks.
- This unit should be installed such that the camera is in a horizontal position. The unit will not function properly if the camera is tilt or not in a horizontal position.
- Do not place in the following locations.
 - This will result in malfunction or breakdown.
 - Hot and cold places beyond the allowable operating temperature
 - Humid places beyond the allowable operating humidity (20 % RH ~ 90 % RH) (Non condensing)
 - Places with temperature exceeding the usage temperature
 - Places with extreme temperature changes
 - Places near devices such as transformer or monitor that emits strong magnetic waves
 - Places near devices such as transceiver or mobile phone that emits radio waves
 - Dusty and sandy places
 - Places with vibration such as vehicles or ships
 - Places prone to water droplets such as at the window (For WB-S681U, WB-S682U, WB-S685U)
 - Steamy and oily places such as kitchens
 - Special environments with combustible atmosphere
 - Places that emits radiation, X-rays, corrosive gases or places where salt corrosion occur
 - Places where medical agents are used such as pools
- Do not install this unit in locations with sharp temperature changes, such as near air-con compressors or exhaust pipes. Condensation may occur inside the attached combination camera.
- To save energy, switch off the system when not in use.
- During maintenance, make sure the screws for mounting the camera are securely fastened.

WB-S681U Pendant Mount

Notes on Installation

- Check that the installation location is able to withstand the total weight of the camera, which is about 3.7 kg, before you install. If the location is not strong enough, reinforce with a reinforcing board.
- Always use a wire rope to install.
- Screws to secure WB-S681U to the ceiling are not provided. Use the appropriate screws based on the materials, structure and total weight of the installation location.
- Conform to the local standards during the installation or construction.

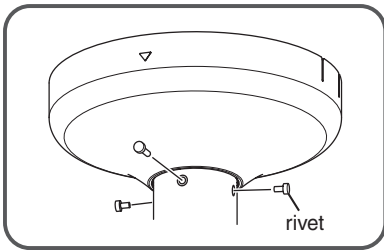
1. Make a hole in the ceiling.

2. Thread the cable and wire rope.

3. Shift the cover in the direction of the arrow (↓).

4. Mount the ceiling bracket on the ceiling. (4 locations)

5. Fix the cover back to its original position with the provided rivets. (x3)



6. Install the wire rope. (x1) (For details, refer to the Instruction Manual of the camera.)

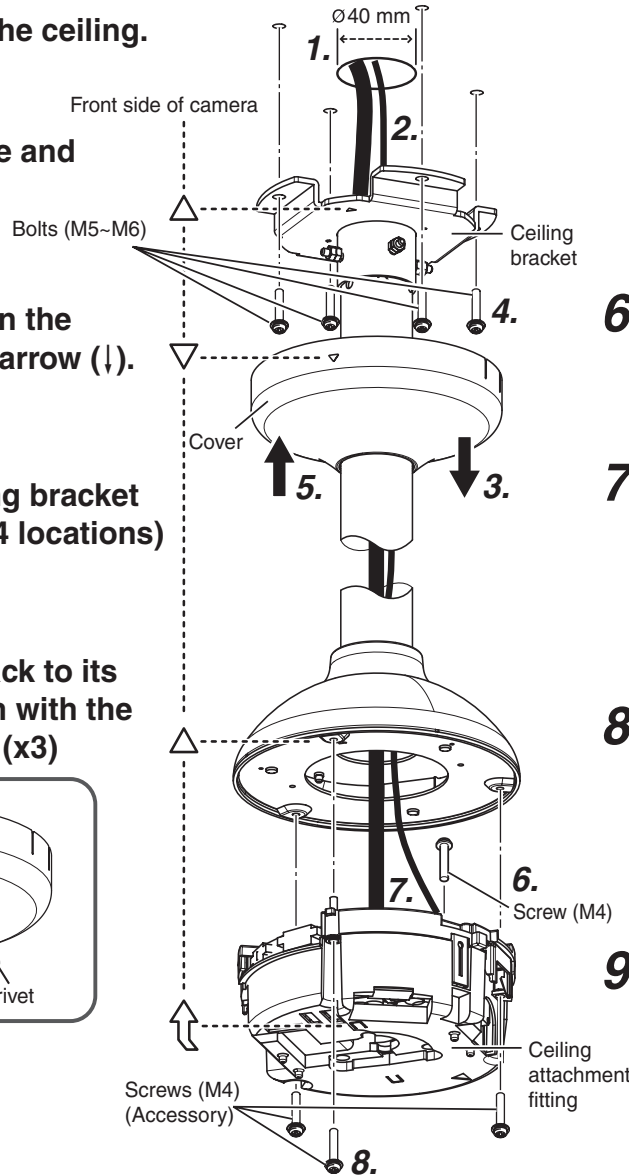
7. Connect the cable.

Connect the cable to the terminal block of the ceiling attachment fitting.
(For details, refer to the Instruction Manual of the camera.)

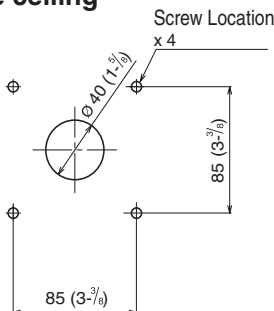
8. Mount the ceiling attachment fitting on WB-S681U using the provided screws. (3 locations)

9. Install the camera.

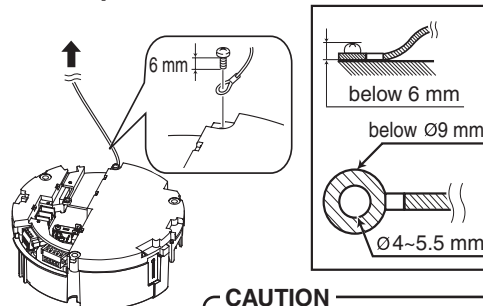
(For details, refer to the Instruction Manual of the camera.)



Making a hole in the ceiling

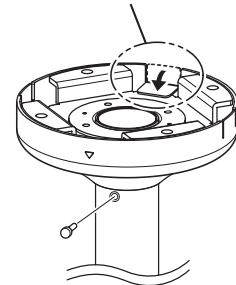


Wire rope



When a hole cannot be made in the ceiling

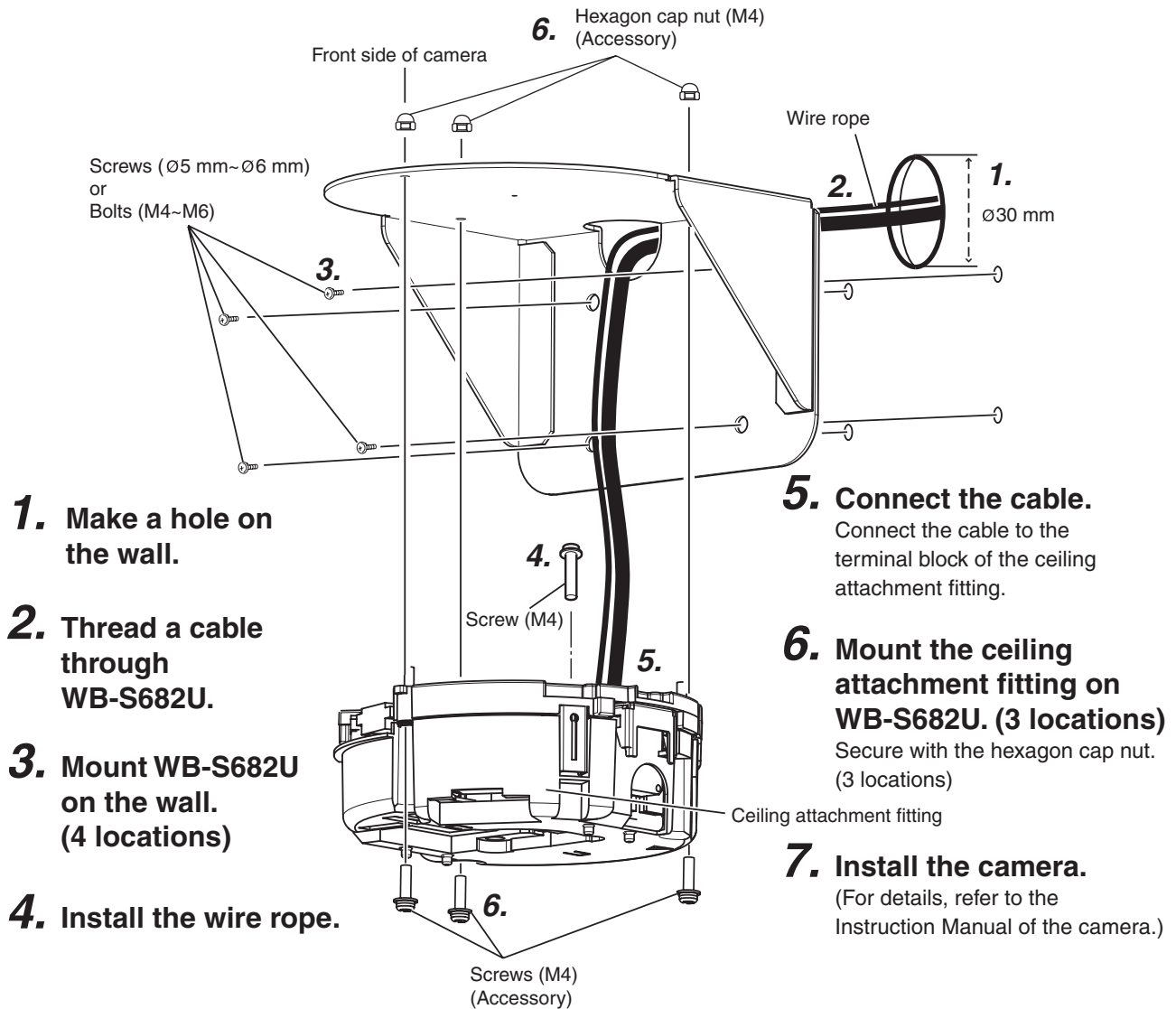
Fold in the direction of the arrow



WB-S682U Wall Mount

Notes on Installation

- Check that the installation location is able to withstand the total weight of the camera, which is about 2.9 kg, before you install. If the location is not strong enough, reinforce with a reinforcing board.
- Always use a wire rope to install.
- Screws to secure WB-S682U to the wall are not provided. Use the appropriate screws based on the materials, structure and total weight of the installation location.
- Conform to the local standards during the installation or construction.



1. Make a hole on the wall.

2. Thread a cable through WB-S682U.

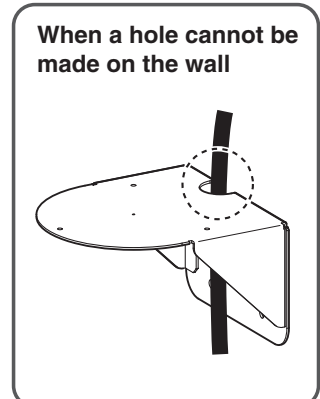
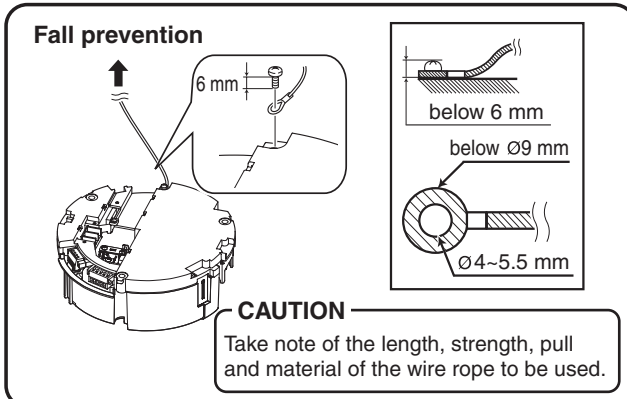
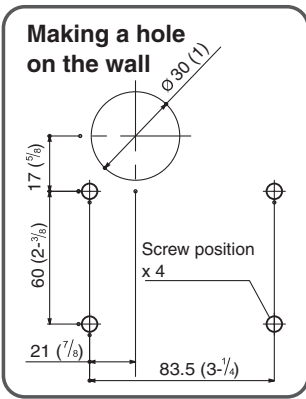
3. Mount WB-S682U on the wall. (4 locations)

4. Install the wire rope.

5. Connect the cable.
Connect the cable to the terminal block of the ceiling attachment fitting.

6. Mount the ceiling attachment fitting on WB-S682U. (3 locations)
Secure with the hexagon cap nut. (3 locations)

7. Install the camera.
(For details, refer to the Instruction Manual of the camera.)



WB-S684U Outdoor Pendant Mount

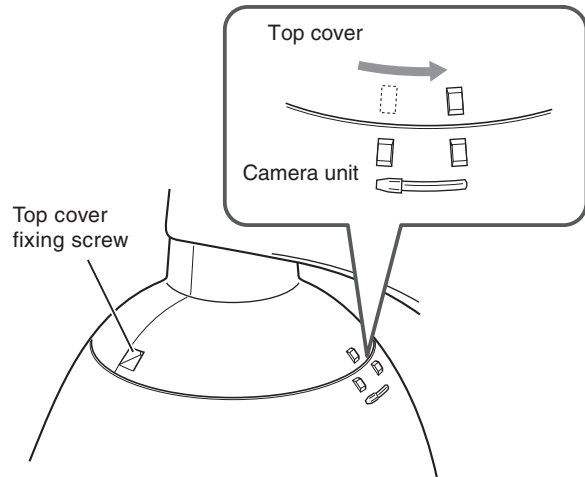
Notes on Installation

- Consult your dealer on the installation location.
- We will not be responsible for any accidents that occur as a result of flawed installation.
- Pay due attention to the installation location and method.
- If the location is not strong enough, reinforce with a reinforcing board and check for safety before installing.

- WB-S684U is an outdoor model.
- WB-S684U is exclusively used for VN-V686WPU and TK-C686WPE (For Europe).

1. Remove the top cover from the camera unit.

- ① Remove the top cover fixing screws.
- ② Rotate the top cover in anticlockwise direction as shown on the right diagram.
- ③ Lift up and remove the top cover.



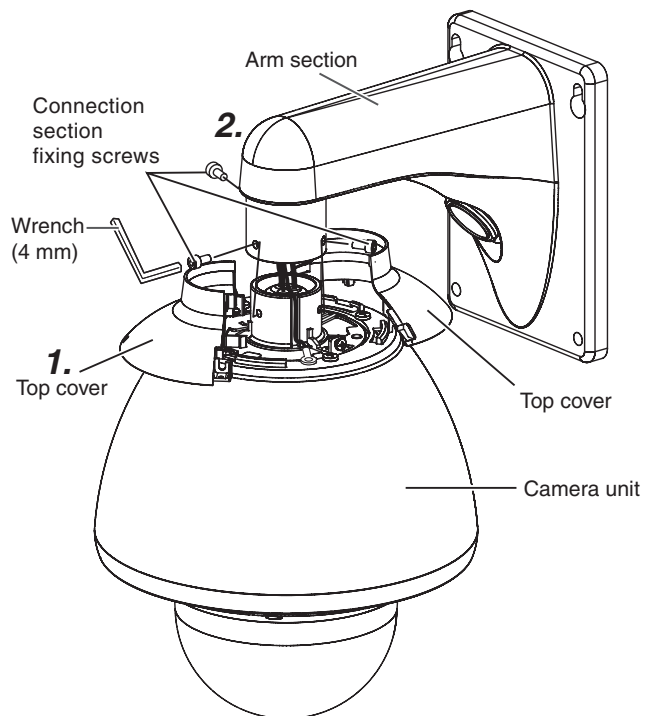
2. Remove the camera unit from the arm section.

Remove the connection fixing screws. (x3)

3. Pull out the cables and fall prevention wire from the arm section.

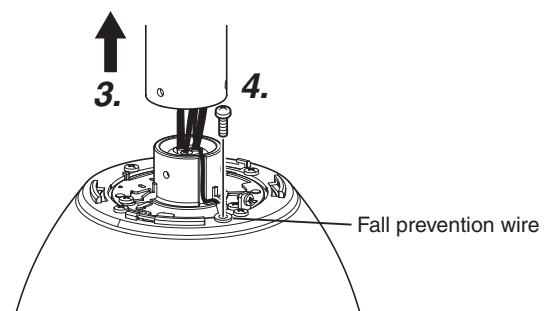
CAUTION

Pull out the cables without damaging them.



4. Remove the fall prevention wire.

Remove the screws and the fall prevention wire that is mounted on camera unit.



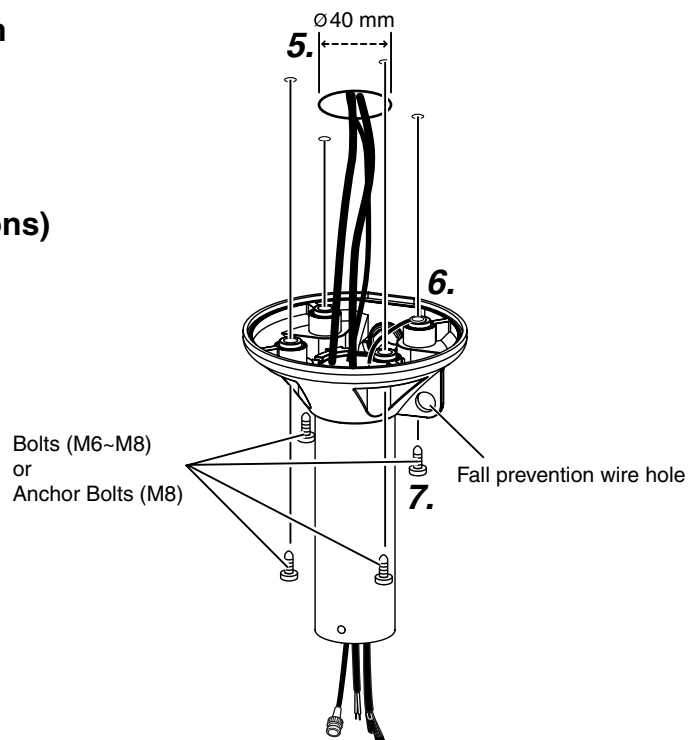
5. Make a hole in the ceiling.

6. Thread the cables on the ceiling.

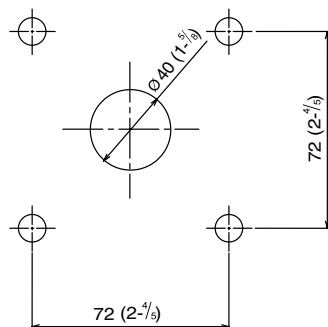
7. Mount WB-S684U on the ceiling. (4 locations)

CAUTION

- Use waterproof material to seal around the mounting surface of WB-S684U.
- Use GE silicon or its equivalents as the sealing material.

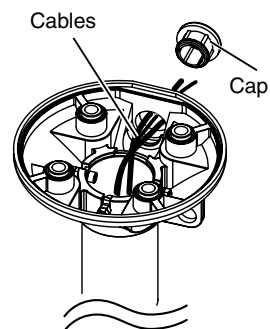


Making a hole in the ceiling



When a hole cannot be made in the ceiling

Remove the cap and thread the cables.
(Thread the coaxial cable first.)



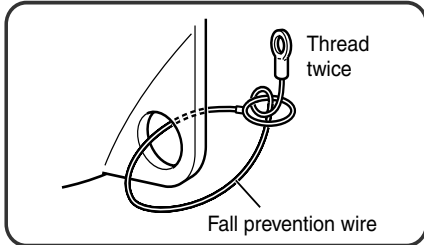
CAUTION

Use waterproof material to seal around the cap.

WB-S684U Outdoor Pendant Mount (continued)

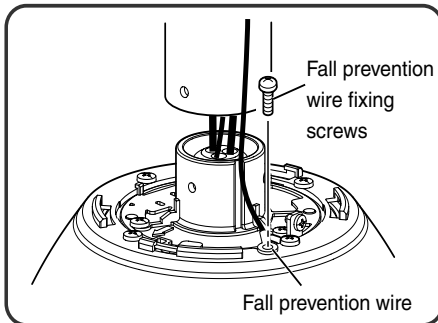
8. Install the fall prevention wire on WB-S684U.

- ① Thread the ring section of the fall prevention wire that was removed in step 4 through the fall prevention wire hole of WB-S684U.
- ② Thread the terminal side twice through the ring in ①.



9. Install the fall prevention wire to the camera unit.

- ① Pull the terminal side that was threaded through the ring toward the direction of the camera unit.
- ② Install the fall prevention wire to the camera unit using the fall prevention wire fixing screws that were removed in step 4.



10. Connect the cable.

Please refer to the Instruction Manual of VN-V686WPU or TK-C686WPE (For Europe).

CAUTION

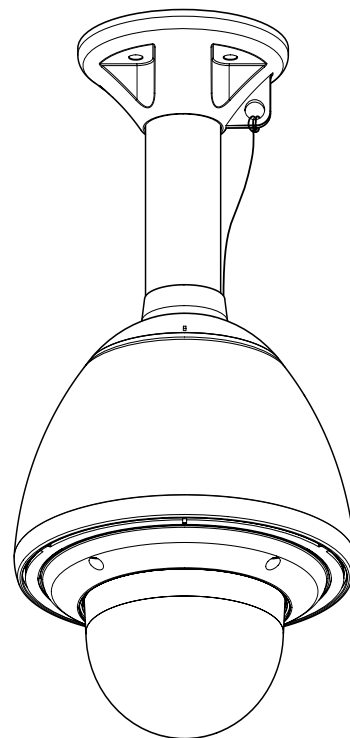
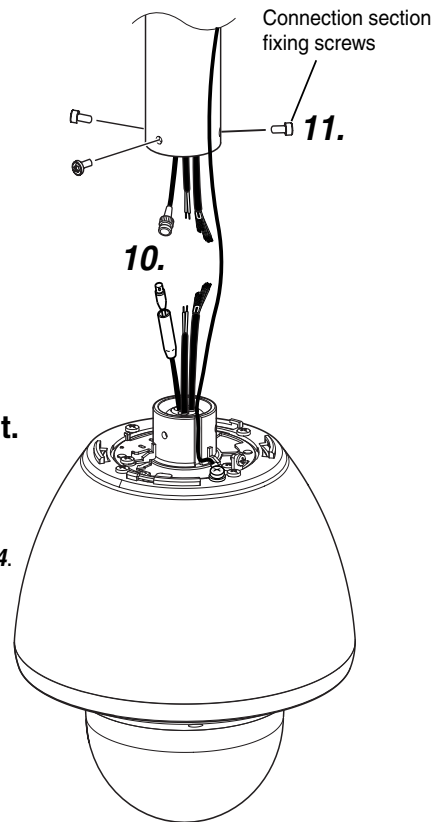
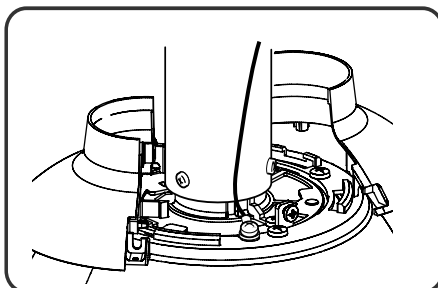
Be sure to bind both ends of unused cables individually with insulating tape.

11. Mount the camera unit.

Thread the cables through the arm section of WB-S684U and mount the camera unit with the screws (x3) that were removed in step 2.

12. Mount the top cover.

Mount the top cover that was removed in step 1 using the fixing screw.



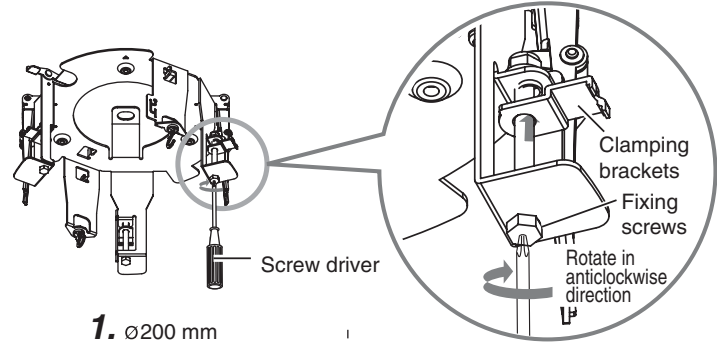
WB-S685U Ceiling Recessed Bracket (Not for USA and Canada)

Notes on Installation

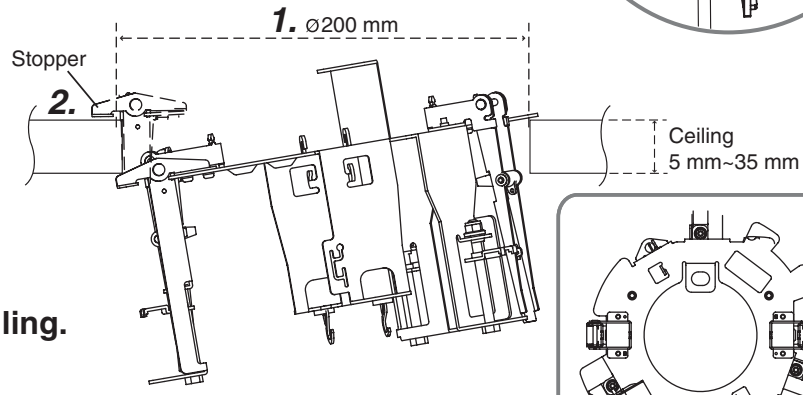
- Check that the installation location is able to withstand the total weight of the camera, which is about 2.9 kg, before you install. If the location is not strong enough, reinforce with a reinforcing board.
- The unit can be installed on ceilings of thickness up to 35 mm.
- Always use anchor bolts to secure WB-S685U. If anchor bolts are unavailable, be sure to use wire rope.
- Conform to the local standards during the installation or construction.

How to mount

Rotate the fixing screws (x3) in anticlockwise direction, shift the clamping brackets upwards as shown on the right diagram.

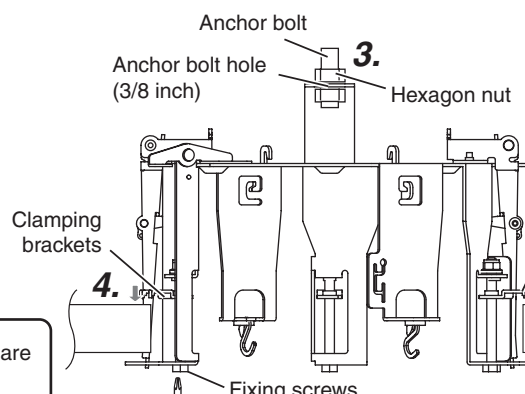


1. Make a hole in the ceiling.
Use the provided template.



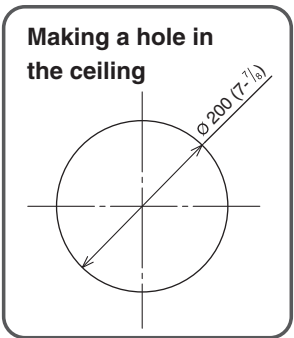
2. Use a stopper to temporarily secure WB-S685U on the ceiling.

3. Use anchor bolts to secure WB-S685U on the ceiling.



4. Use the clamping brackets (x3) to secure on the ceiling.
Rotate the fixing screws (x3) in clockwise direction.

CAUTION
Make sure the clamping brackets are securely fastened.



When anchor bolts cannot be used

CAUTION
Take note of the length, strength, pull and material of the wire rope to be used.

WB-S685U Ceiling Recessed Bracket (Not for USA and Canada) (continued)

5. Connect the cable.

Connect the cable to the terminal block of the ceiling attachment fitting.

6. Mount the ceiling attachment fitting on WB-S685U. (3 locations)

CAUTION
Ensure that the cable is not caught in between during installation.

7. Install the fall prevention wire.

8. Mount the camera to the ceiling attachment fitting. (For details, refer to the Instruction Manual of the camera.)

CAUTION

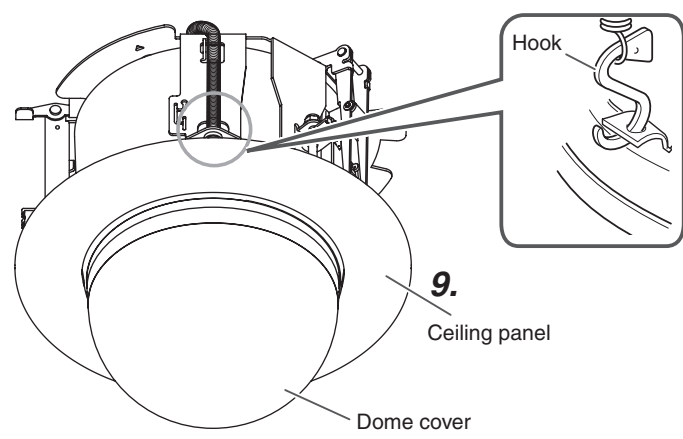
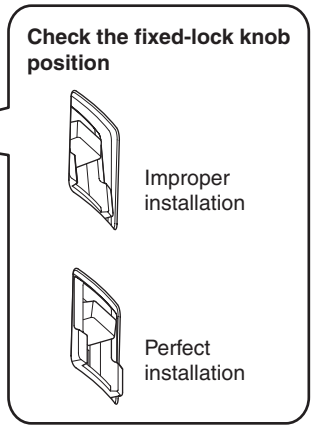
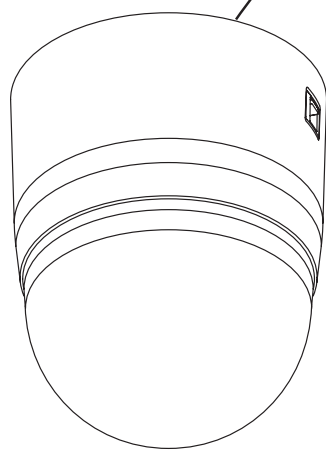
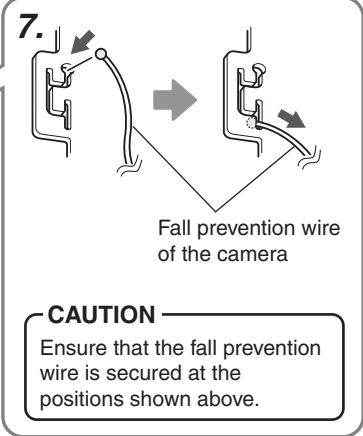
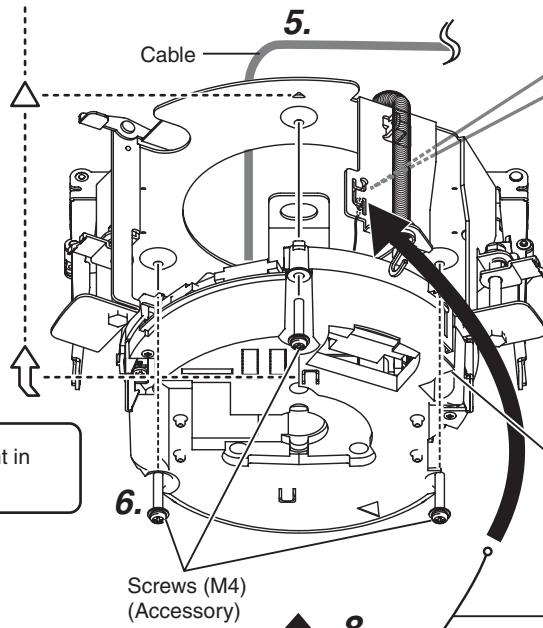
- Before installing, configure the settings of the camera to be used.
- The camera's fixed-lock knobs cannot be locked.
- When mounting the camera, make sure the camera's fixed-lock knobs (2 locations) are protruded and that a click sound is heard.
- After installation, check that the camera is securely installed using a penlight. The camera may fall off if the installation is not properly done.

9. Install the ceiling panel.

Place and mount the ceiling panel (accessory) on the hooks (x2) of WB-S685U.

CAUTION
Do not damage the dome cover when installing the ceiling panel.

Front side of camera



Dismantling the camera

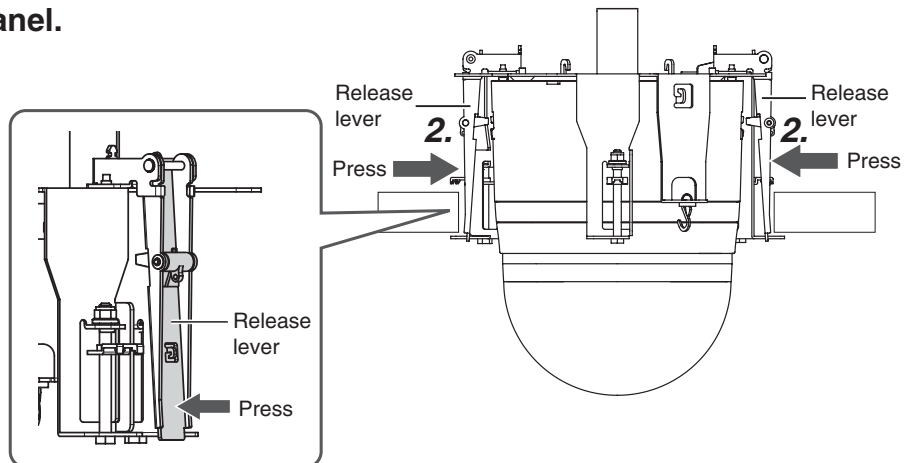
1. Remove the ceiling panel.

2. Remove the camera from WB-S685U.

Press the release lever and remove.

CAUTION

Always support the camera with the palm of your hand when performing this operation.



3. Remove the fall prevention wire.

Dismantling WB-S685U

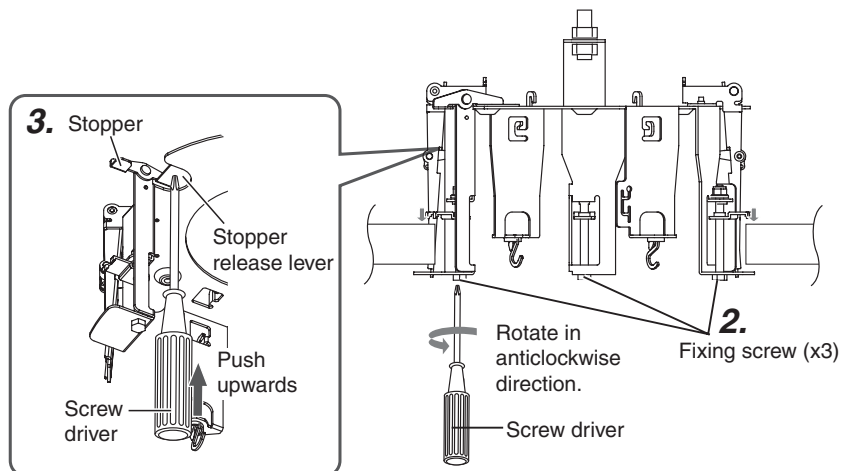
1. Remove the ceiling attachment fitting and the cable.

Remove in the reverse procedure of mounting.

2. Rotate the fixing screws (x3) in anticlockwise direction.

3. Remove the stopper.

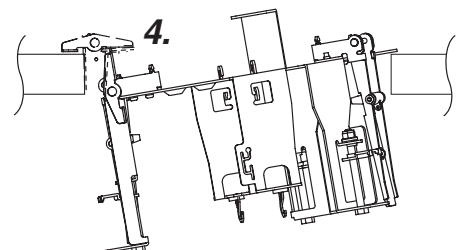
Push up the stopper release lever with a screw driver.



CAUTION

Be sure to support WB-S685U when performing this operation.

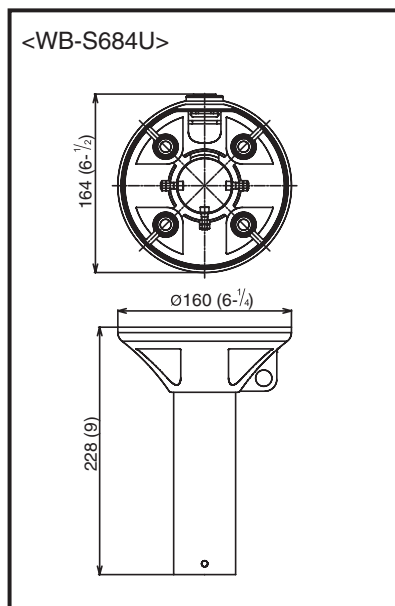
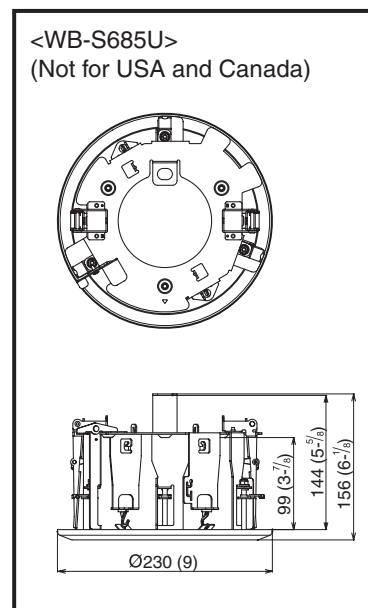
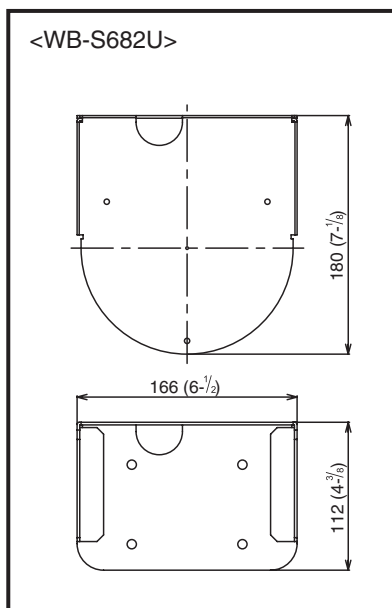
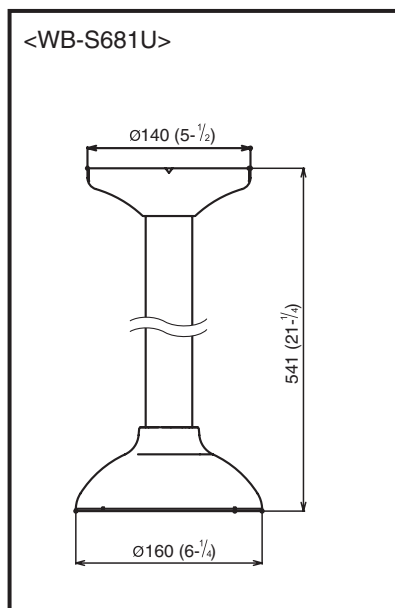
4. Remove WB-S685U from the ceiling.



Specifications

	WB-S681U	WB-S682U	WB-S685U (Not for USA and Canada)	WB-S684U
Operating temperature	Indoor Temperature at guaranteed performance: 0 °C ~ +40 °C Temperature at guaranteed operation: - 10 °C ~ +50 °C			Outdoor Temperature at guaranteed performance: - 30 °C ~ +40 °C Temperature at guaranteed operation: - 40 °C ~ +50 °C
Mass (Body)	Approx. 1.7 kg	Approx. 0.9 kg	Approx. 0.8 kg	Approx. 1.3 kg
Accessories	Instructions 1 Screw (M4) 3 Wire rope (750 mm) ... 1 Nylon rivet 3	Instructions 1 Nut (M4) 3 Screw (M4) 3	Instructions 1 Template 1 Ceiling panel 1 Screw (M4) 3	Instructions 1 Screw (M5) 3

■ External dimensions [unit: mm (inch)]



※ Design and specifications are subject to change without notice.

安全上のご注意 (WB-S681, WB-S682, WB-S685)

この取扱説明書および製品への表示では、製品を安全に正しくお使いいただき、あなたや他の人々への危害や財産への損害を未然に防止するために、いろいろな絵表示をしています。その表示と意味は次のようになっています。内容をよく理解してから本文をお読みください。



警告

この表示 (文字含む) を無視して、誤った取り扱いをすると、人が死亡または重傷を負う可能性が想定される内容を示しています。



注意

この表示 (文字含む) を無視して、誤った取り扱いをすると、人が傷害を負ったり、物的損害の発生が想定される内容を示しています。

絵表示の表示例



△記号は、注意 (警告を含む) を促す内容があることをお知らせするものです。図の中に具体的な注意内容 (左図の場合は指を挟まれないよう注意) が描かれています。



⊘記号は、禁止の行為であることをお知らせするものです。図の中や近傍に具体的な禁止内容 (左図の場合は分解禁止) が描かれています。



警告

- 安全のため設置には特別な技術が必要です。取り付けについては、お買い上げ販売店にご相談ください。
- 安全ワイヤーは安全のため必ず取り付けてください。落下するとけがや事故の原因となることがあります。
- コンビネーションカメラは高速回転をおこなうため、振動や質量を考慮し、十分な強度をもった場所に確実に取り付けてください。石膏ボード、プラスターボードなど天井材質に強度が足りない場合は補強材を当てて補強してください。補強やネジ・ナットの締めつけが不十分な場合は、振動のためモニター画面で画ブレが発生したり、最悪の場合落下の危険があります。



注意

- 本機にぶら下がったり、ゆすったり、物を乗せたり、引っ掛けたりしないでください。過度の荷重がかかると、本機が落下して、けがや事故の原因となります。
- 本機を改造しないでください。事故の原因となります。
- 振動や衝撃が加わるような場所には設置しないでください。本機が落下してけがや事故の原因となることがあります。
- 本機には、VN-V686 または TK-S686 以外の機器を搭載しないでください。事故の原因となることがあります。
- 金属のエッジで手をこすらないでください。強くこすると、けがの原因となります。
- 金属やネジがさびると、落下などでけがや事故の原因となりますので定期的に点検してください。点検は販売店にご依頼ください。
- 異常がある場合は、ただちにカメラの電源を切り、使用をやめ、販売店にご連絡ください。
- 異物を入れないでください。水や金属が内部に入ると、火災や感電の原因となります。



正しくお使いいただくためのご注意

- 本機は屋内専用です。屋外または雨や水のかかる場所では使用できません。
- 本機は必ずカメラが水平になるように設置してください。据え置きや傾けて使用すると正しく動作しません。
- 次のような場所に置かない
誤動作や故障の原因となります。
 - ・許容動作温度 (-10 °C ~ +50 °C) 範囲外の暑いところや寒いところ
 - ・許容動作湿度 (20 %RH ~ 90 %RH) 範囲外の湿気の多いところ (結露なきこと)
 - ・変圧器やモーターなど強い磁気を発生するところ
 - ・トランシーバーや携帯電話などの電波を発生する機器の近く
 - ・ほこりや砂の多いところ
 - ・車両や船舶などの振動するところ
 - ・窓ぎわなどの水滴の発生しやすいところ
 - ・厨房などの蒸気や油分の多いところ
 - ・可燃性雰囲気などの特殊環境
 - ・放射線や X 線、および塩害や腐食性ガスの発生するところ
 - ・プールなど、薬剤を使用するところ
- カメラの取り付けかたについては、使用カメラの「取扱説明書」をご覧ください。
- メンテナンス時、カメラ取付スクリューが確実にしまっていることを確認してください。

商品廃棄について

この商品を廃棄する場合は、法令や地域の条例にしたがって適正に処理してください。

安全上のご注意 (WB-S684)

この取扱説明書および製品への表示では、製品を安全に正しくお使いいただき、あなたや他の人々への危害や財産への損害を未然に防止するために、いろいろな絵表示をしています。その表示と意味は次のようになっています。内容をよく理解してから本文をお読みください。



警告

この表示（文字含む）を無視して、誤った取り扱いをすると、人が死亡または重傷を負う可能性が想定される内容を示しています



注意

この表示（文字含む）を無視して、誤った取り扱いをすると、人が傷害を負ったり、物的損害の発生が想定される内容を示しています

絵表示の表示例



△記号は、注意（警告を含む）を促す内容があることをお知らせするものです。図の中に具体的な注意内容（左図の場合は指を挟まれないよう注意）が描かれています。



⊘記号は、禁止の行為であることをお知らせするものです。図の中や近傍に具体的な禁止内容（左図の場合は分解禁止）が描かれています。



警告

- 安全のため設置には特別な技術が必要です。取り付けについては、お買い上げ販売店にご相談ください。
- 安全ワイヤーは安全のため必ず取り付けてください。落下するとけがや事故の原因となることがあります。
- 振動、質量や風力を考慮し、十分な強度を持った場所に強固なアンカーボルトなどで確実に取り付けてください。補強やネジ・ナットの締めつけが不十分な場所は、振動のためモニター画面で画ブレが発生したり、最悪の場合落下の危険があります。



注意

- 本機にぶら下がったり、ゆすったり、物を引っ掛けたりしないでください。過度の荷重がかかると、本機が落下して、けがや事故の原因となります。
- 本機にボールや鳥などがあたってたりし、何らかの支障が生じた場合は、お買い上げの販売または、最寄のビクターサービス窓口にご相談ください。
- 本機を改造しないでください。事故の原因となることがあります。
- 振動や衝撃が加わるような場所には設置しないでください。本機が落下してけがや事故の原因となることがあります。
- 取り付け部の劣化や振動によるネジのゆるみを定期的に点検してください。落下してけがや事故の原因となることがあります。
- 本機は、16 m 以上の高所には取り付けしないでください。思わぬ風速の影響により、落下などの事故の原因になります。
- 本機には、VN-V686WP または TK-S686WP 以外の機器を搭載しないでください。事故の原因となることがあります。



正しくお使いいただくためのご注意

- 本機は壁付け専用ですので、据え置きや傾けて使用しないでください。誤動作の原因や、著しい寿命の低下となります。
- 次のような場所での設置およびご使用はできません。
 - ・ プールなど薬剤を使用する場所。
 - ・ 厨房などの蒸気や油分の多い場所、および可燃性雰囲気中などの特殊環境の場所。
 - ・ 放射線や X 線、および強力な電波や磁気の発生する場所。
 - ・ 海上や海岸通り、および腐食性ガスが発生する場所。
 - ・ 使用温度（-40 °C ~ +50 °C）を超える場所。
 - ・ 車両や船舶など振動の多い場所。
 - ・ 急激に温度が変化する場所。
- 本機は屋外に設置するため、天災などにより、正常に動作しなくなる場合があります。正しく映像を撮影するため、日々の点検を確実にこなしてください。
- 本機をエアコンの室外機や煙突など、急激に温度の変化する場所に設置しないでください。搭載するコンビネーションカメラ内が結露することがあります。
- 節電のため使用しないときは、システムの電源を切ってください。
- メンテナンス時、カメラ取付スクリューが確実にしまっていることを確認してください。

商品廃棄について

この商品を廃棄する場合は、法令や地域の条例にしたがって適正に処理してください。

WB-S681 天井吊下げポール

設置上のお願い

- 設置場所は、カメラ取り付け時の総質量（約 3.7 kg）に十分耐えられる強度を持っていることを確認してから取り付けてください。強度が保てない場合は、補強板などで補強してください。
- 必ず安全ワイヤーを使用して取り付けてください。
- WB-S681 を天井に固定するネジは付属していません。取付場所の材料や構造、総質量を考慮してご用意ください。
- 設置、工事の際は、現地の基準に従って行ってください。

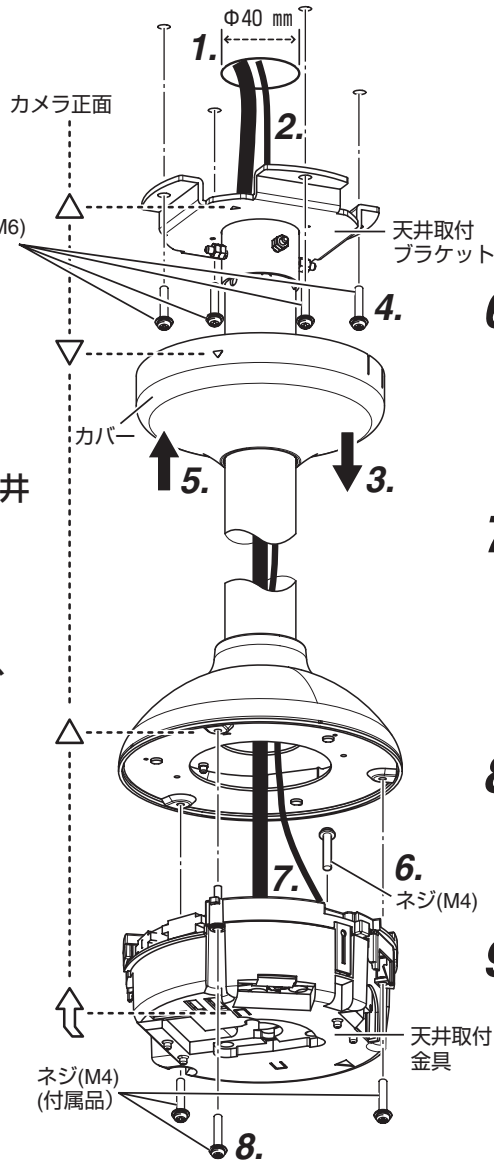
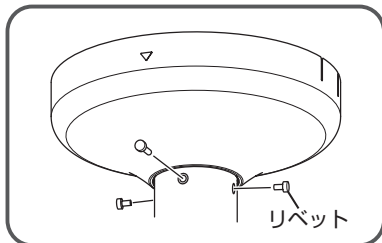
1. 天井に穴を開ける

2. ケーブルと安全ワイヤーを通す

3. カバーを矢印方向(↓)にずらす

4. 天井取付ブラケットを天井に取り付ける(4箇所)

5. カバーを元の位置に戻し、付属のリベットを付ける(3箇所)



6. 安全ワイヤーを取り付ける(1箇所) (詳細は、カメラの「取扱説明書」をご覧ください。)

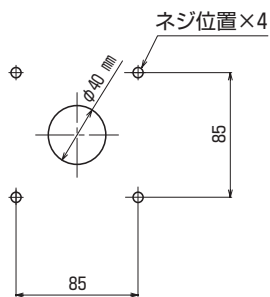
7. ケーブルを接続する

天井取付金具の端子台にケーブルを接続します。
(詳細は、カメラの「取扱説明書」をご覧ください。)

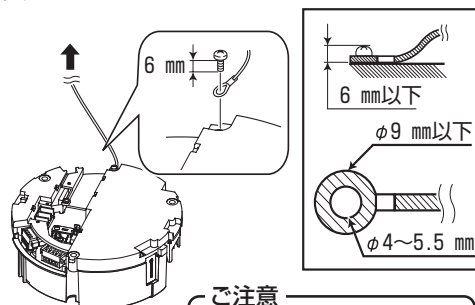
8. 天井取付金具を付属のネジでWB-S681に取り付ける(3箇所)

9. カメラ本体を取り付ける (詳細は、カメラの「取扱説明書」をご覧ください。)

天井に穴を開ける



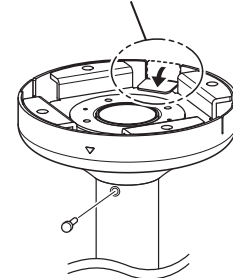
安全ワイヤー



ご注意
必ず、付属の安全ワイヤーをご使用ください。

天井に穴を開けない場合

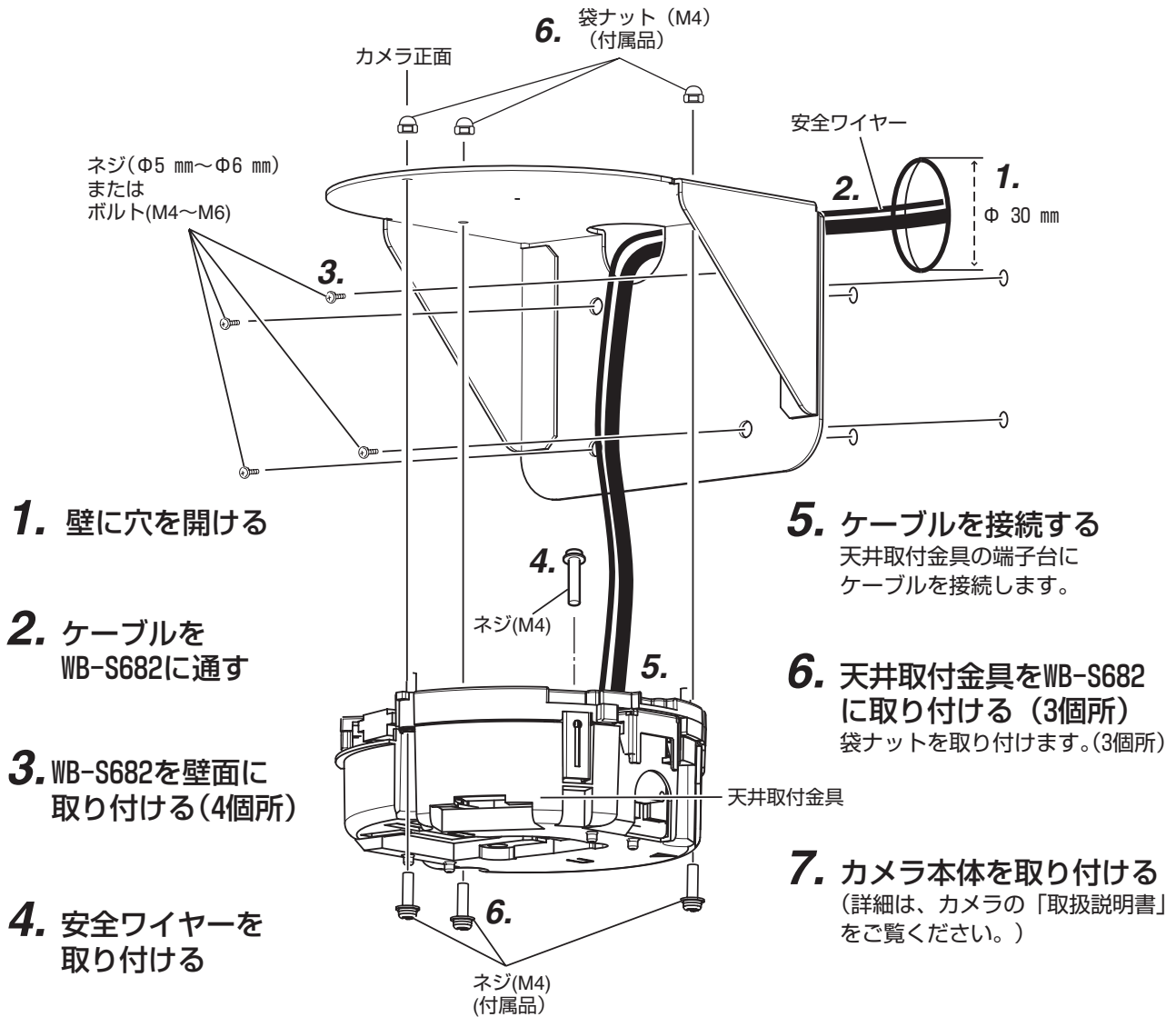
矢印方向に折り曲げる



WB-S682 壁面取付けブラケット

設置上のお願い

- 設置場所は、カメラ取り付け時の総質量（約 2.9 kg）に十分耐えられる強度を持っていることを確認してから取り付けてください。強度が保てない場合は、補強板などで補強してください。
- 必ず安全ワイヤーを使用して取り付けてください。
- WB-S682 を壁面に固定するネジは付属していません。取付場所の材料や構造、総質量を考慮してご用意ください。
- 設置、工事の際は、現地の基準に従って行ってください。



1. 壁に穴を開ける

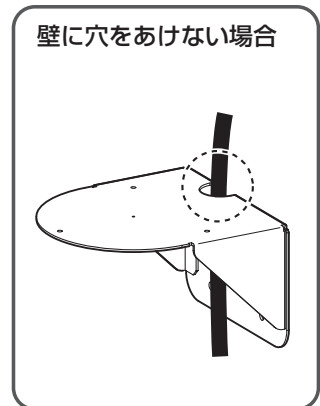
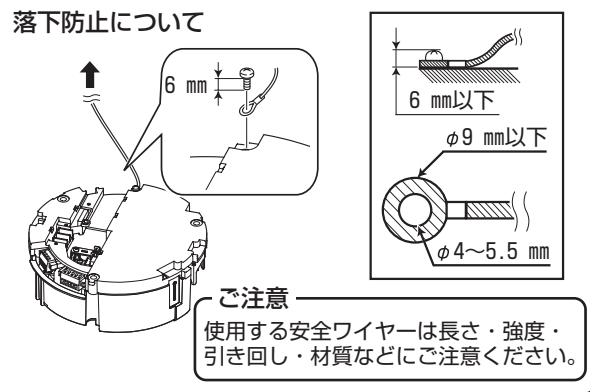
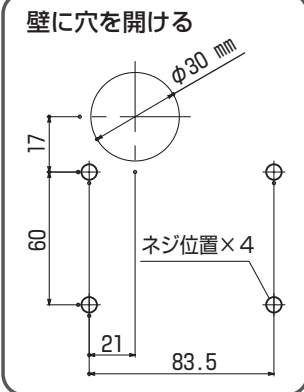
2. ケーブルを WB-S682に通す

3. WB-S682を壁面に 取り付ける(4箇所)

4. 安全ワイヤーを 取り付ける

5. ケーブルを接続する
天井取付金具の端子台に
ケーブルを接続します。

6. 天井取付金具をWB-S682
に取り付ける(3箇所)
袋ナットを取り付けます。(3箇所)



WB-S684 屋外用天井吊下げポール

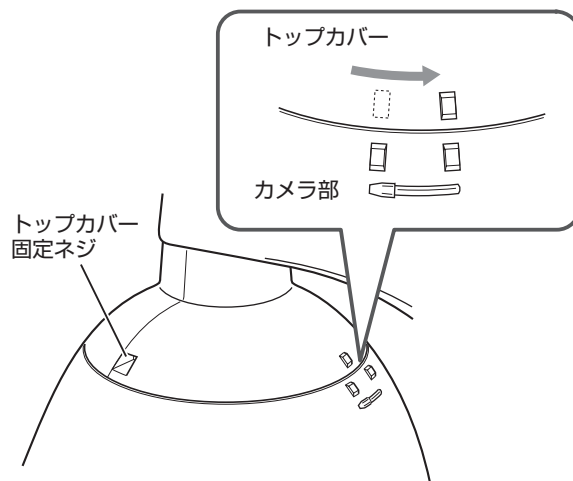
設置上のお願い

- 設置場所は、お買い上げの販売店とよく相談してください。
- 取り付けの不備などによる落下事故の責任は一切負いかねます。
- 設置場所や設置方法に十分に注意をしてください。
- 設置場所の強度が保てない場合は、補強板などで補強し、安全を確認の上、取り付けてください。

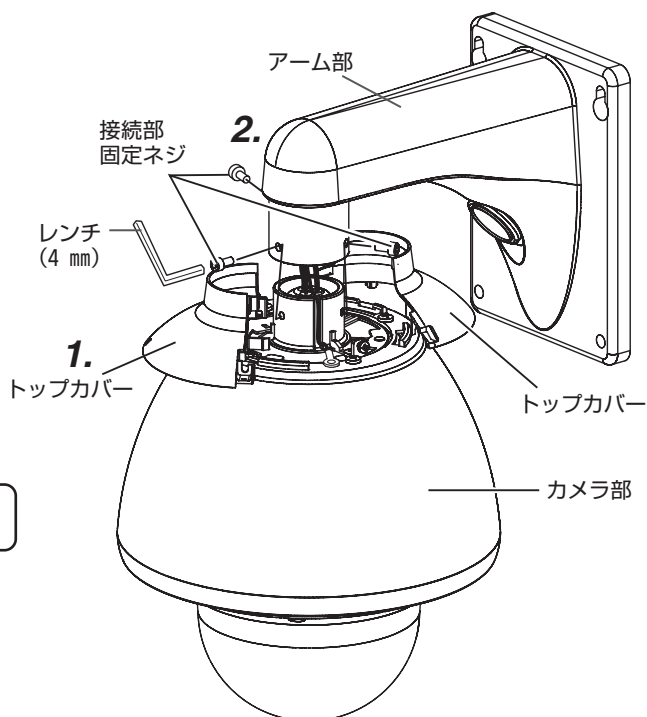
- WB-S684は、屋外専用です。
- WB-S684はVN-V686WP、TK-S686WP専用です。

1. カメラ部よりトップカバーをはずす

- ① トップカバー固定ネジをはずします。
- ② トップカバーを右図のように反時計方向に回します。
- ③ トップカバーを上を持ちあげながらはずします。



2. アーム部からカメラ部をはずす 接続部固定ネジをはずします。(3箇所)



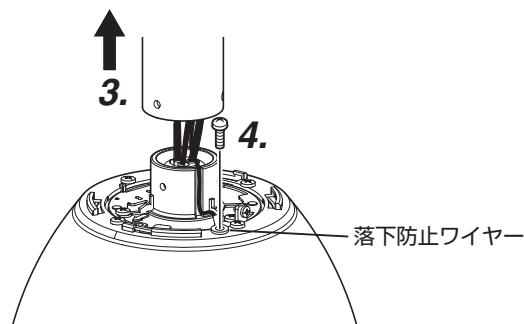
3. アーム部からケーブルと 落下防止ワイヤーを引き出す

ご注意

- ケーブルを傷つけないように引き出してください。

4. 落下防止ワイヤーをはずす

カメラ部に取り付けてある落下防止ワイヤーのネジをはずして取りはずします。



WB-S684 屋外用天井吊下げポール (つづき)

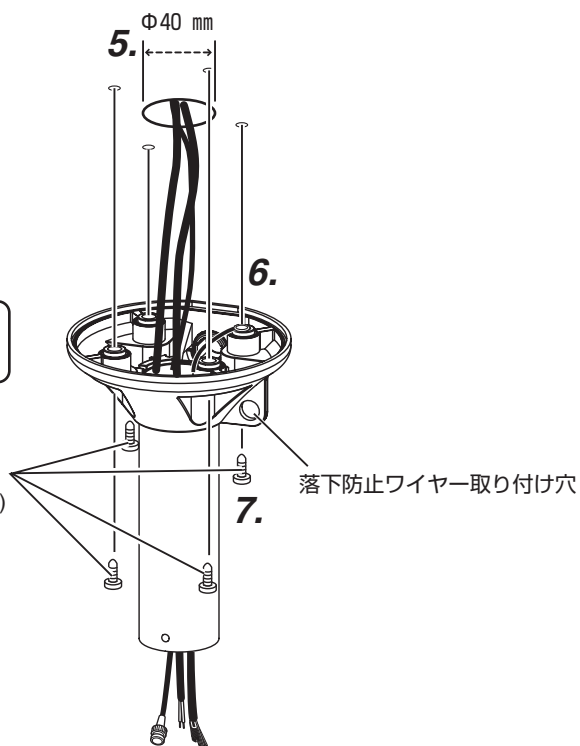
5. 天井に穴を開ける

6. 天井にケーブル類を通す

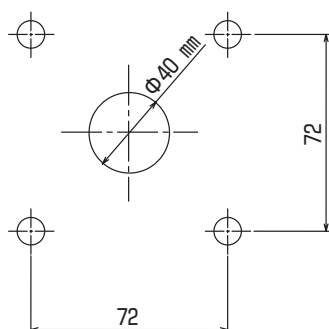
7. 天井にWB-S684を取り付ける (4箇所)

ご注意
WB-S684の取り付け面のまわりを防水シール材
でふさいでください。

ボルト(M6~M8)
または
アンカーボルト(M8)

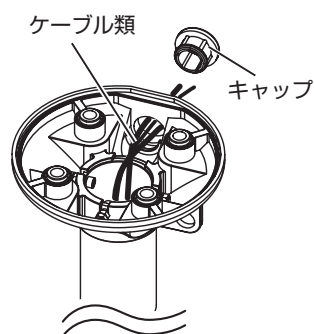


天井に穴を開ける



天井に穴を開けない場合

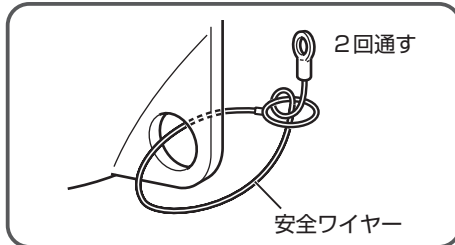
キャップをはずし、ケーブル類を通します。
(同軸ケーブルを始めに通してください。)



ご注意
キャップのまわりを防水シール材
でふさいでください。

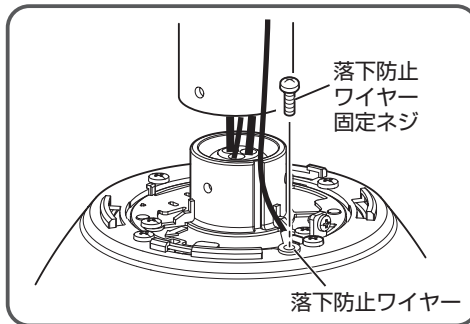
8. 落下防止ワイヤーをWB-S684に取り付ける

- ① 手順4で取りはずした落下防止ワイヤーの輪の部分、WB-S684の落下防止ワイヤー取付穴に通します。
- ② ①の輪に、端子側を2回通します。



9. 落下防止ワイヤーをカメラ部に取り付ける

- ① 輪に通した端子側をカメラ部の方向に引っ張ります。
- ② 手順4で取りはずした落下防止ワイヤー固定ネジを使って、落下防止ワイヤーをカメラ部に取り付けます。



10. ケーブルを接続する

VN-V686WPまたはTK-S686WPの取扱説明書をご覧ください。

ご注意

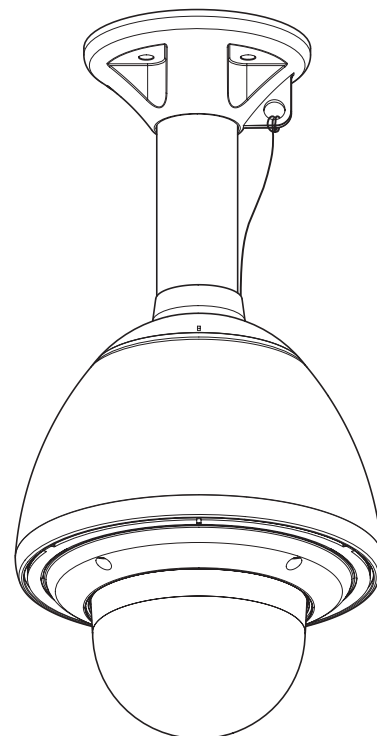
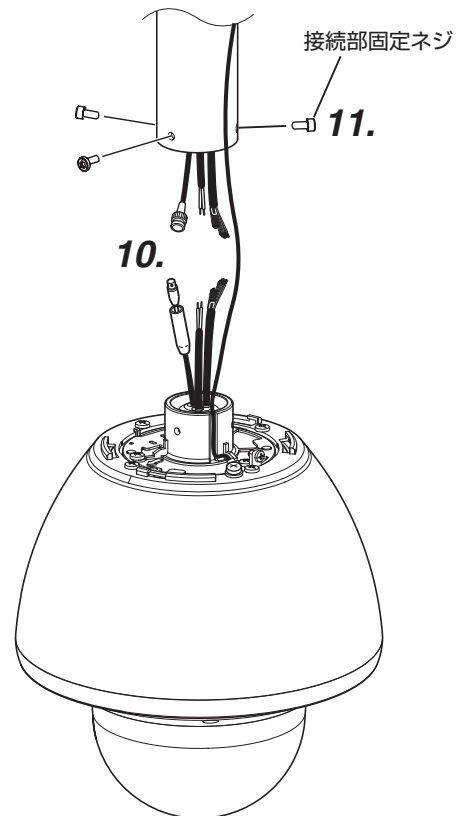
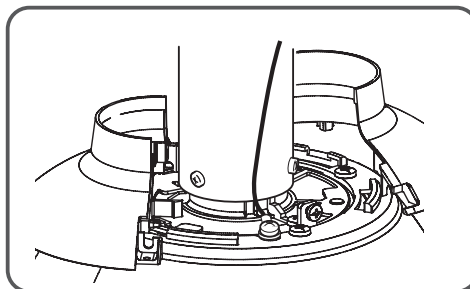
使用しないケーブル類の先は、必ず1本ずつ絶縁テープを巻いて処理してください。

11. カメラ部を取り付ける

ケーブルをWB-S684のアーム部に押し込み、手順2ではずした接続部固定ネジ（3本）を使って取り付けます。

12. トップカバーを取り付ける

手順1ではずしたトップカバーを固定ネジを使って取り付けます。



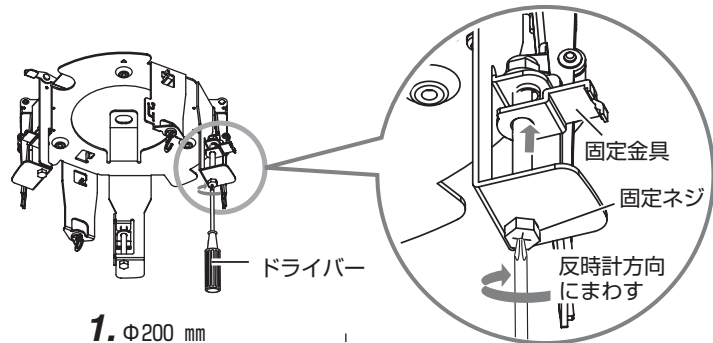
WB-S685 天井埋込ブラケット

設置上のお願い

- 設置場所は、カメラ取り付け時の総質量 (約 2.9 kg) に十分耐えられる強度を持っていることを確認してから取り付けてください。強度が保てない場合は、補強板などで補強してください。
- 取り付け可能な天井の厚さは 35 mm までです。
- WB-S685 は必ず、アンカーボルトで固定してください。アンカーボルトが使用できない場合は、必ず安全ワイヤーを使用してください。
- 設置、工事の際は、現地の基準に従って行ってください。

取り付けかた

固定ネジ (3箇所) を反時計方向に回し、固定金具を右図のように上に移動しておきます。



1. 天井に穴を開ける
付属のテンプレートを
使います。

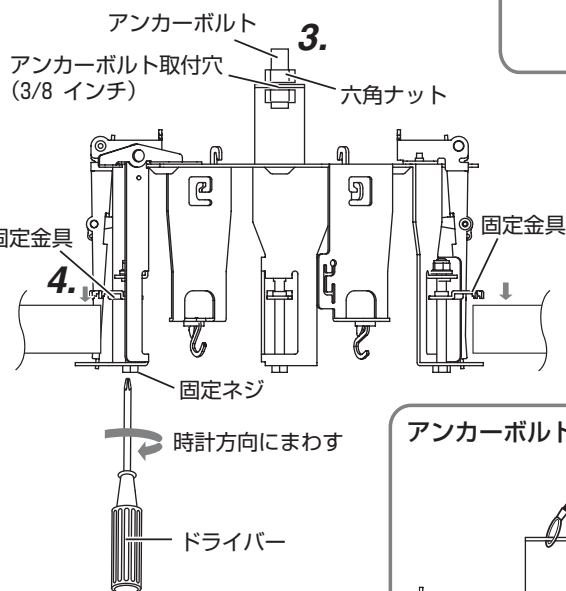
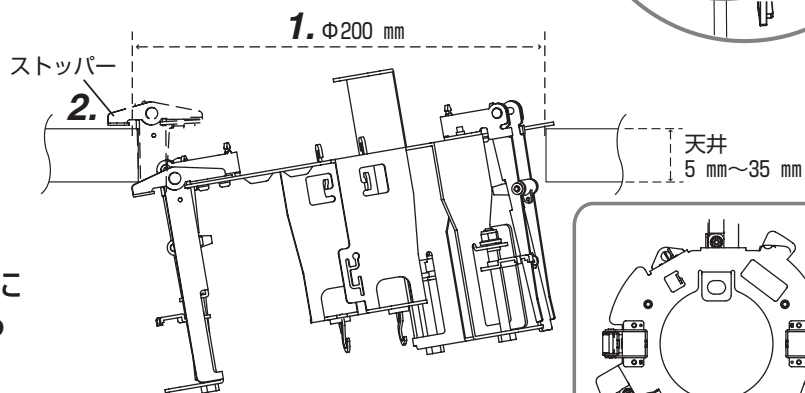
2. ストッパーで、天井に
WB-S685を仮固定する

3. アンカーボルトでWB-S685
を天井に固定する

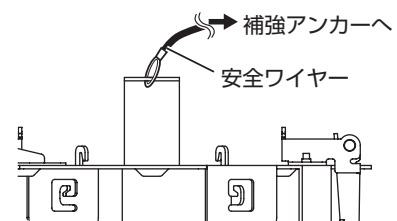
4. 固定金具 (3箇所) で
天井に固定する
固定ネジ (3箇所) を時計方向
に回します。

ご注意

固定金具が確実にしまっている
ことを確認してください。



アンカーボルトが利用できない場合



ご注意

使用する安全ワイヤーは、長さ・
強度・引き回し・材質などにご注
意ください。

5. ケーブルを接続する
天井取付金具の端子台にケーブルを接続します。

6. 天井取付金具をWB-S685に取り付ける (3箇所)

ご注意
ケーブルをはさまないように取り付けてください。

7. 落下防止ワイヤーを取り付ける

8. カメラ本体を天井取付金具に取り付ける
(詳細は、カメラの「取扱説明書」をご覧ください。)

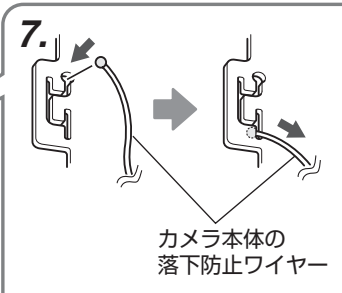
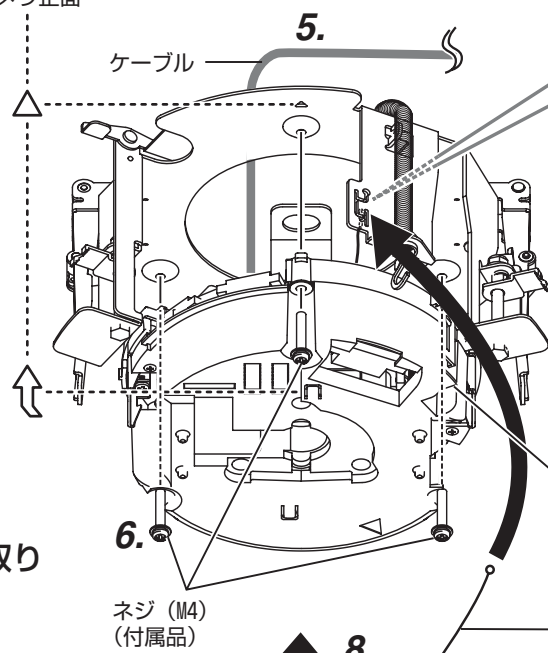
ご注意

- 取り付ける前に、使用カメラの各種設定を行なってください。
- カメラ本体固定ロックノブはロックできません。
- カメラ本体を取り付けたとき、カメラ本体固定ロックノブ (2箇所) が出張り、「カチッ」と音がすることを確認してください。
- 取り付け完了後、ペンライトなどを使ってカメラが確実に取り付けられているか確認してください。取り付けに不備があるとカメラ本体が落下する恐れがあります。

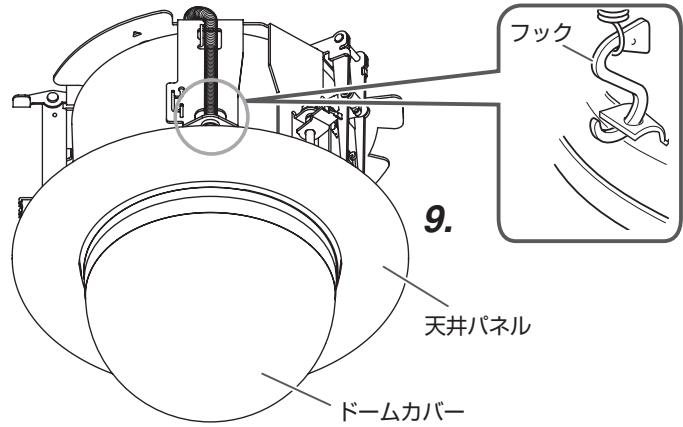
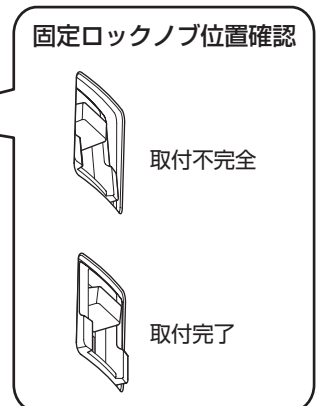
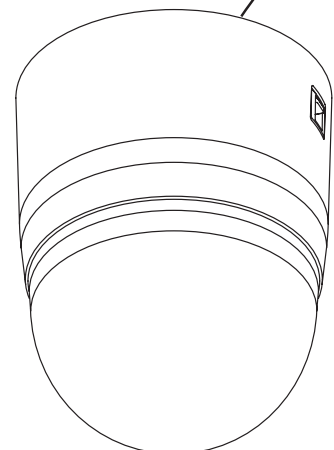
9. 天井パネルを取り付ける
天井パネル (付属品) をWB-S685のフック (2箇所) にかけて、取り付けます。

ご注意
●天井パネルでドームカバーを傷つけないように作業してください。

カメラ正面



ご注意
●落下防止ワイヤーが、上図の位置で抜けないことを確認してください。



WB-S685 天井埋込ブラケット (つづき)

カメラの取りはずしかた

1. 天井パネルをはずす

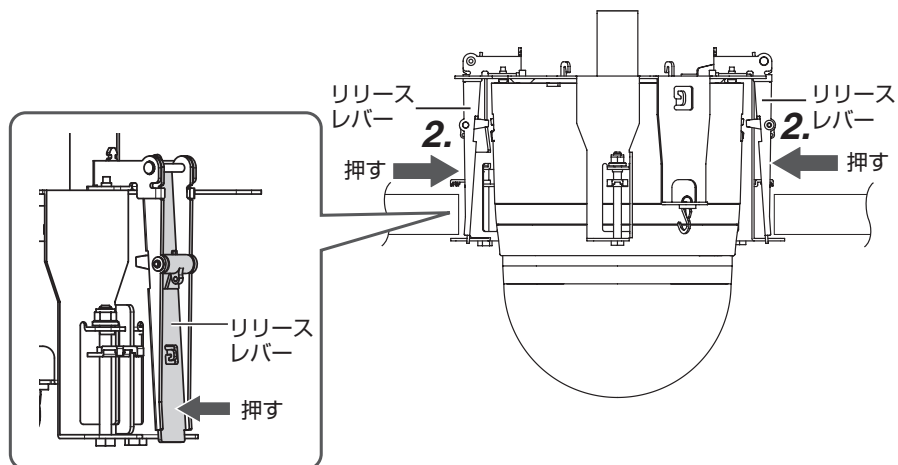
2. カメラ本体をWB-S685から取りはずす

リリースレバーを押して取りはずします。

ご注意

必ずカメラ本体を手のひらで支えながら行ってください。

3. 落下防止ワイヤーをはずす



WB-S685の取りはずしかた

1. 天井取付金具とケーブルをはずす

取り付けと逆の手順ではずします。

2. 固定ネジ (3箇所) を反時計方向に回す

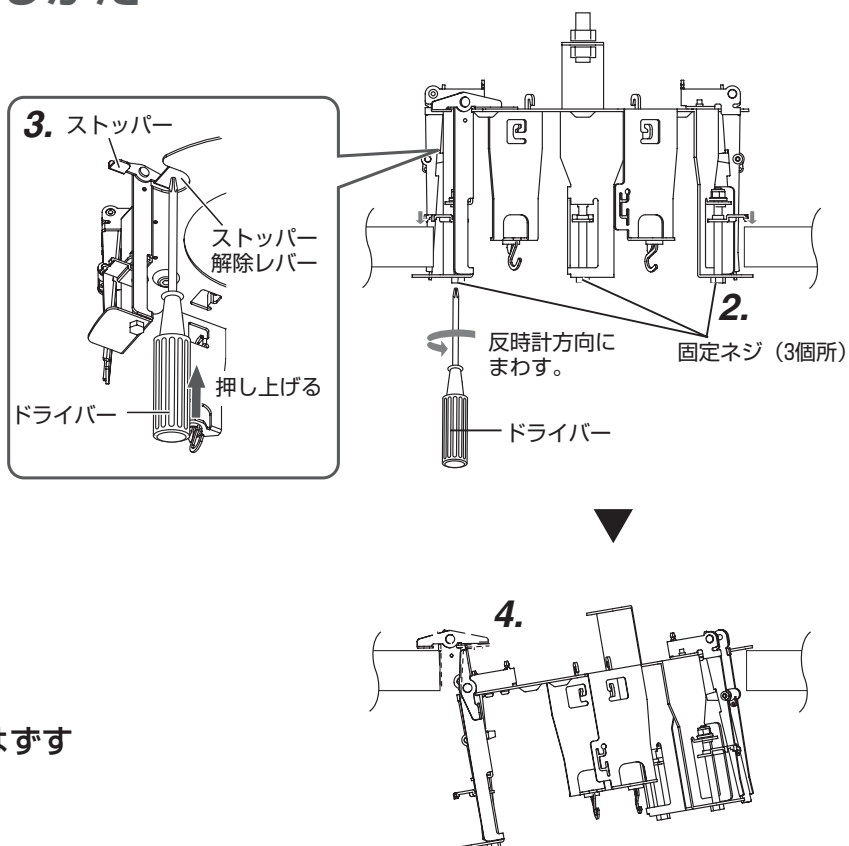
3. ストッパーをはずす

ストッパー解除レバーをドライバーなどで押し上げます。

ご注意

必ずWB-S685を支えながら行ってください。

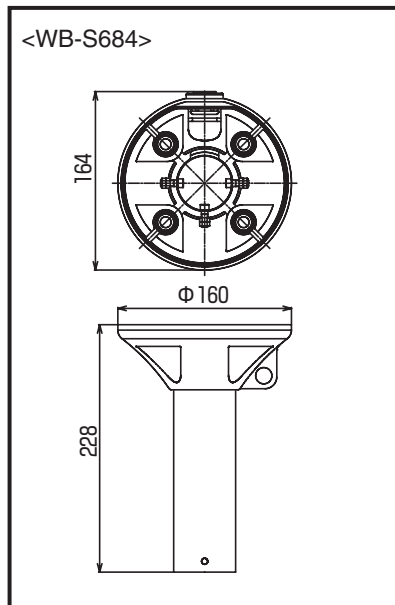
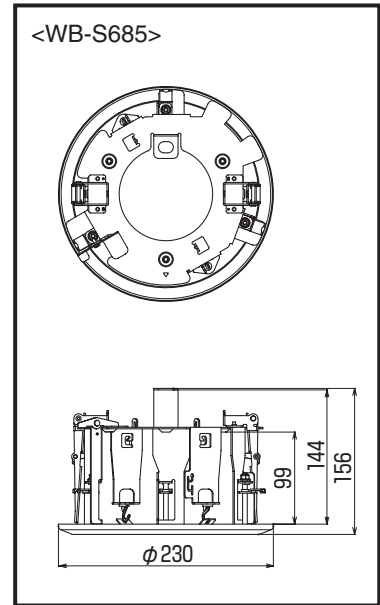
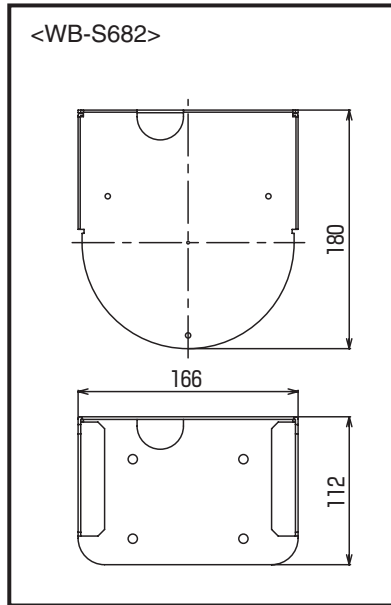
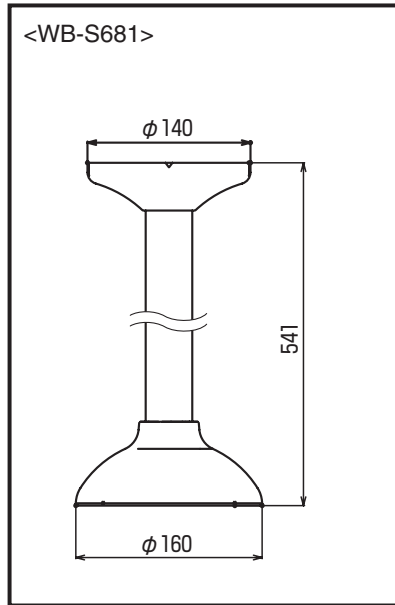
4. 天井からWB-S685を取りはずす



仕様

	WB-S681	WB-S682	WB-S685	WB-S684
周囲温度	屋内 性能保証温度： 0℃～+40℃ 動作保証温度： -10℃～+50℃			屋外 性能保証温度： -30℃～+40℃ 動作保証温度： -40℃～+50℃
質量（本体のみ）	約 1.7 kg	約 0.9 kg	約 0.8 kg	約 1.3 kg
付属品・添付物	取扱説明書.....1 ネジ（M4）.....3 安全ワイヤー（750 mm）.....1 ナイロンリベット.....3	取扱説明書.....1 ナット（M4）.....3 ネジ（M4）.....3	取扱説明書.....1 テンプレート.....1 天井パネル.....1 ネジ（M4）.....3	取扱説明書.....1 ネジ（M5）.....3

■ 外形寸法図 [単位：mm]



※ 本機の仕様および外観は、改善のため予告なく変更する場合があります。

お客様ご相談センター

 0120-2828-17

携帯電話・PHS・FAXなどからのご利用は
電話 (045) 450-8950 [代表]
FAX (045) 450-2275
〒221-8528 横浜市神奈川区守屋町3-12

ご相談窓口におけるお客様の個人情報は、お問合せへの対応、修理およびその確認に使用し、適切に管理を行い、お客様の同意なく個人情報を第三者に提供または開示することはありません。

ビクターホームページ <http://www.victor.co.jp/>

日本ビクター株式会社

〒192-8620 東京都八王子市石川町2969-2
電話 (042) 660-7245

WB-S681U/WB-S681
WB-S682U/WB-S682
WB-S684U/WB-S684
WB-S685U/WB-S685

Free Manuals Download Website

<http://myh66.com>

<http://usermanuals.us>

<http://www.somanuals.com>

<http://www.4manuals.cc>

<http://www.manual-lib.com>

<http://www.404manual.com>

<http://www.luxmanual.com>

<http://aubethermostatmanual.com>

Golf course search by state

<http://golfingnear.com>

Email search by domain

<http://emailbydomain.com>

Auto manuals search

<http://auto.somanuals.com>

TV manuals search

<http://tv.somanuals.com>