

JVC

TV STAND RK-C28E1S RK-C32E1S

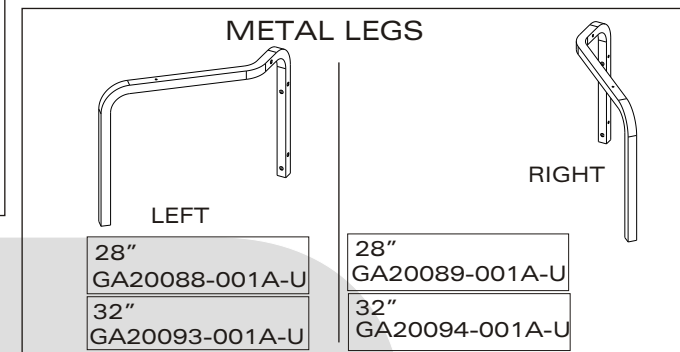
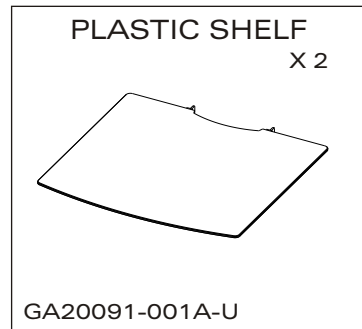
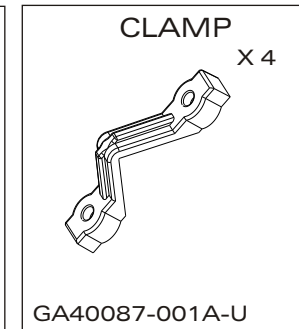
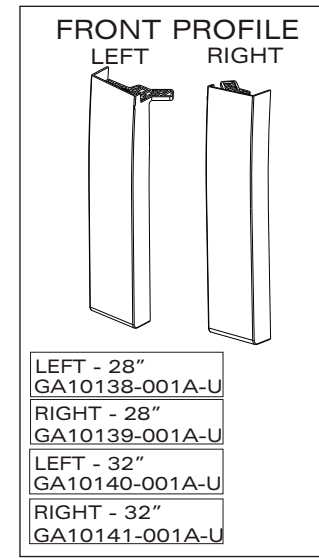
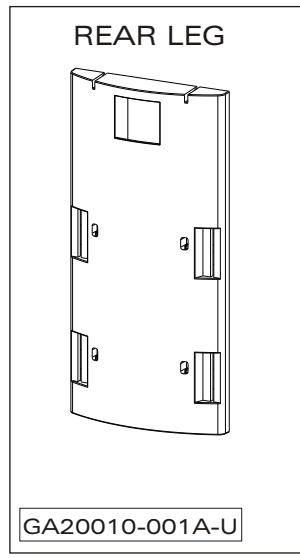
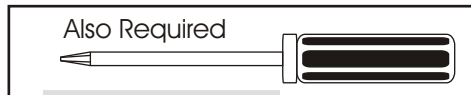
ASSEMBLY INSTRUCTIONS
(TO BE RETAINED BY CUSTOMER)

IMPORTANT NOTES

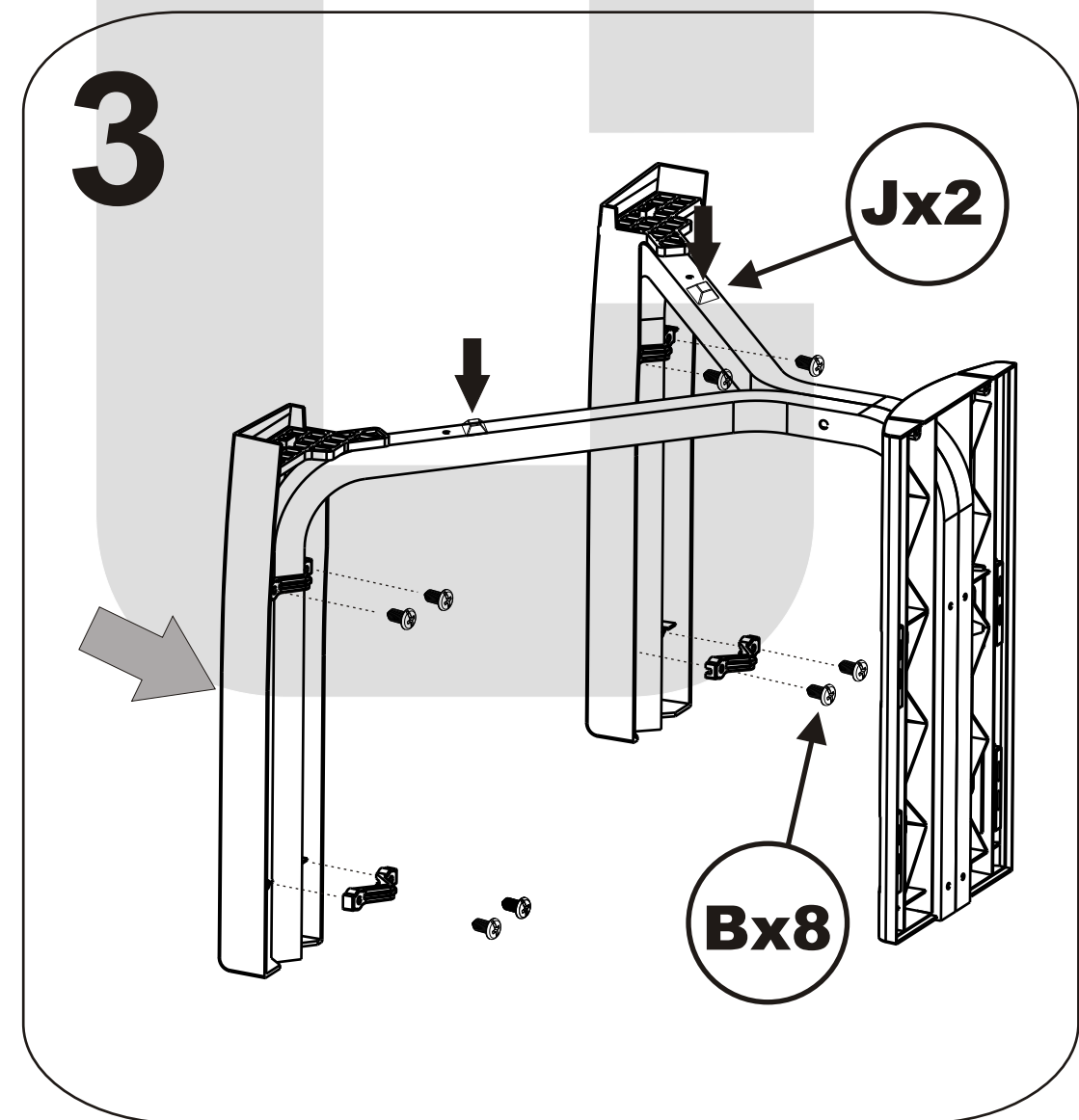
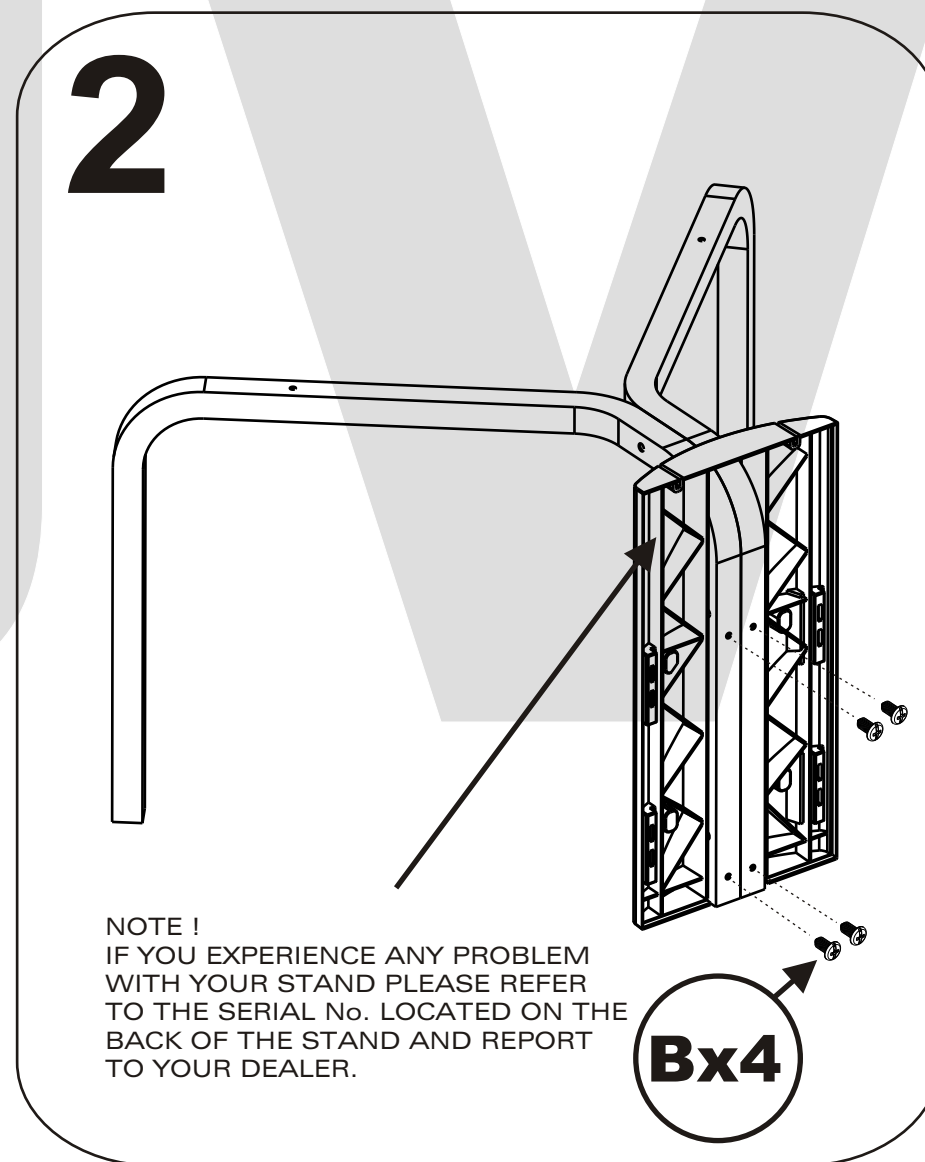
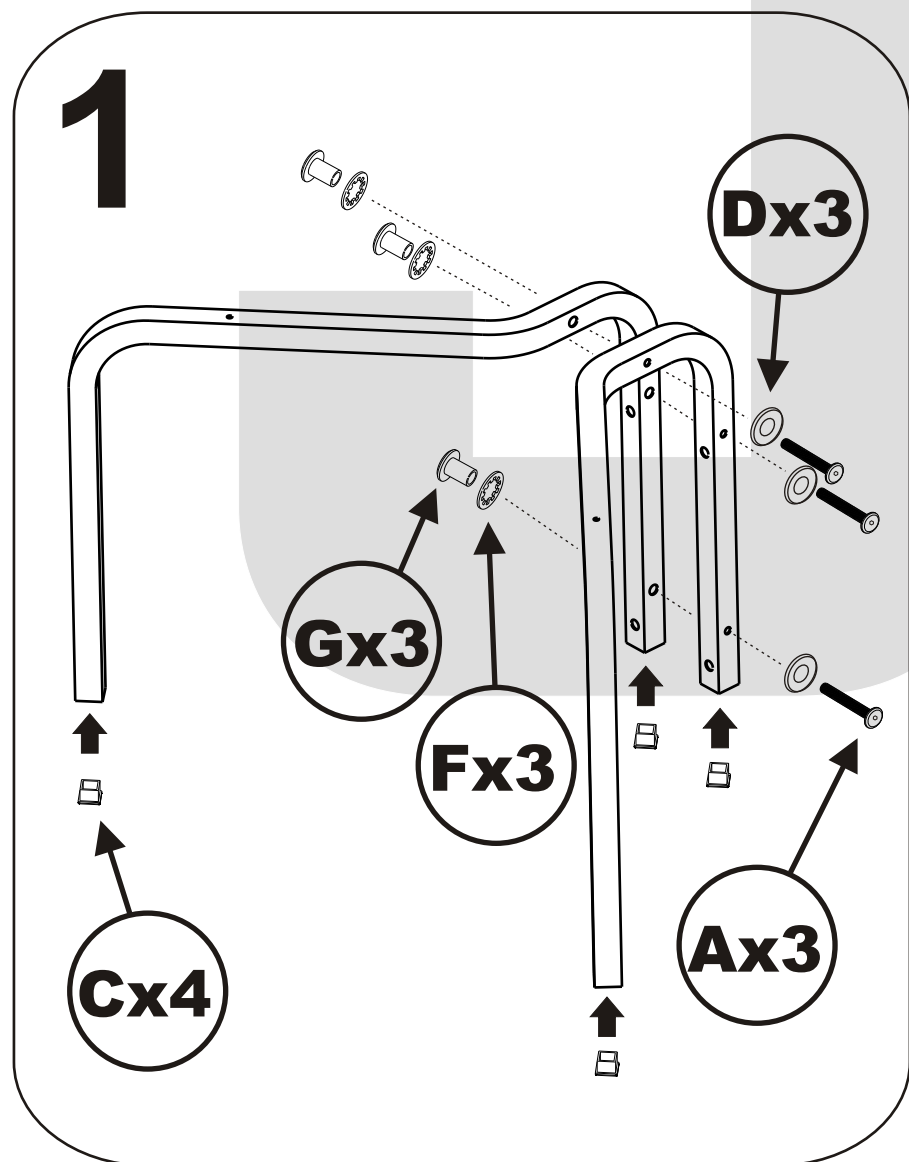
- THIS STAND MUST BE USED ONLY WITH THE TV WITH WHICH IT IS SUPPLIED
- DO NOT USE ANY SCREWS OTHER THAN THOSE PROVIDED
- DO NOT USE SOLVENTS FOR CLEANING THIS STAND. USE A DAMP CLOTH TO REMOVE ANY HANDLING OR PACKAGING MARKS
- DO NOT ATTEMPT TO MOVE THE ASSEMBLY WITH TV ATTACHED AS THIS MAY RESULT IN PERSONAL INJURY AND OR DAMAGE TO YOUR EQUIPMENT.

A		x3
B		x12
C		x4
D		x3

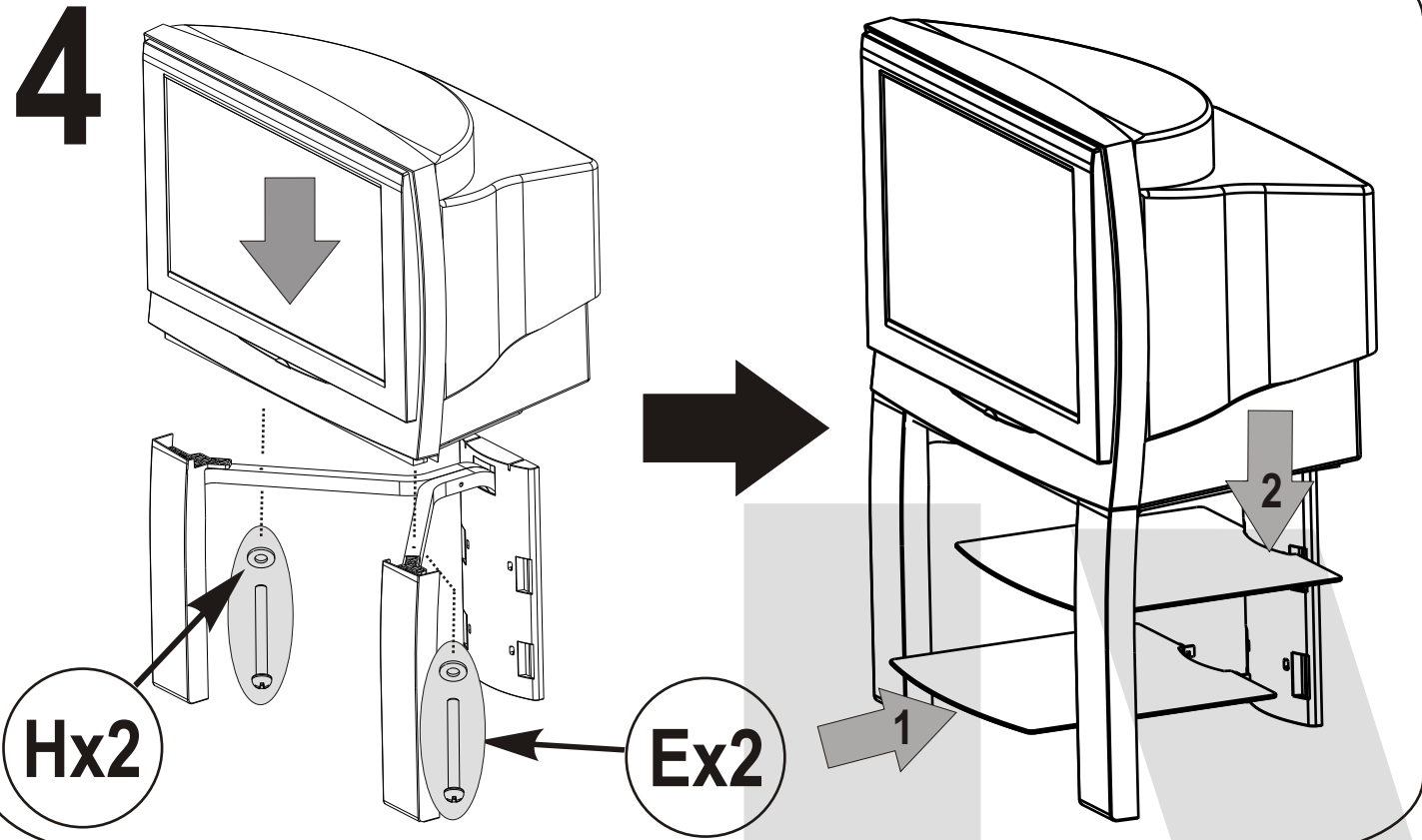
E		x2
F		x3
G		x3
H		x2
J		x2



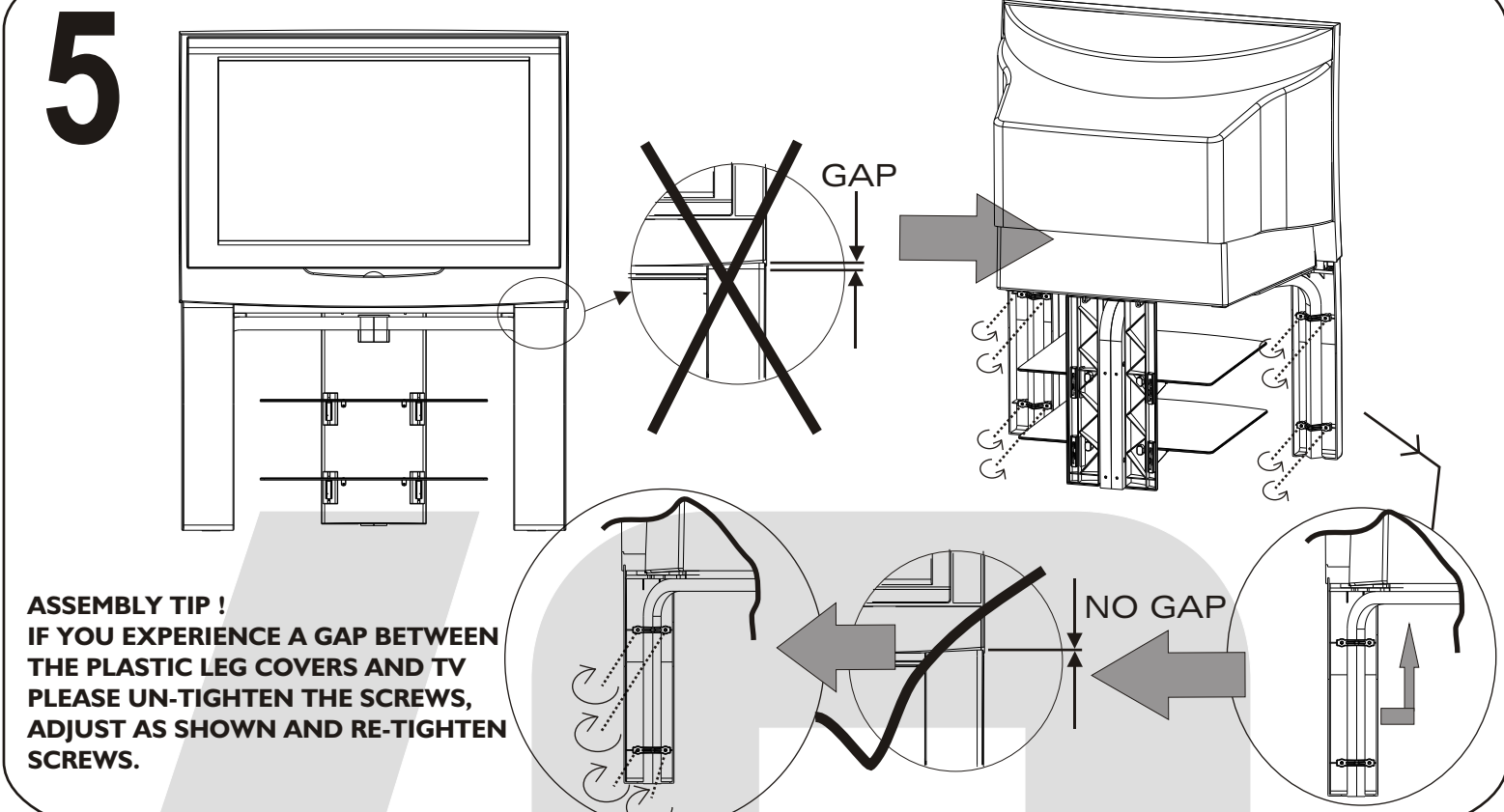
FIXING KIT - GA30096-001A-U



4

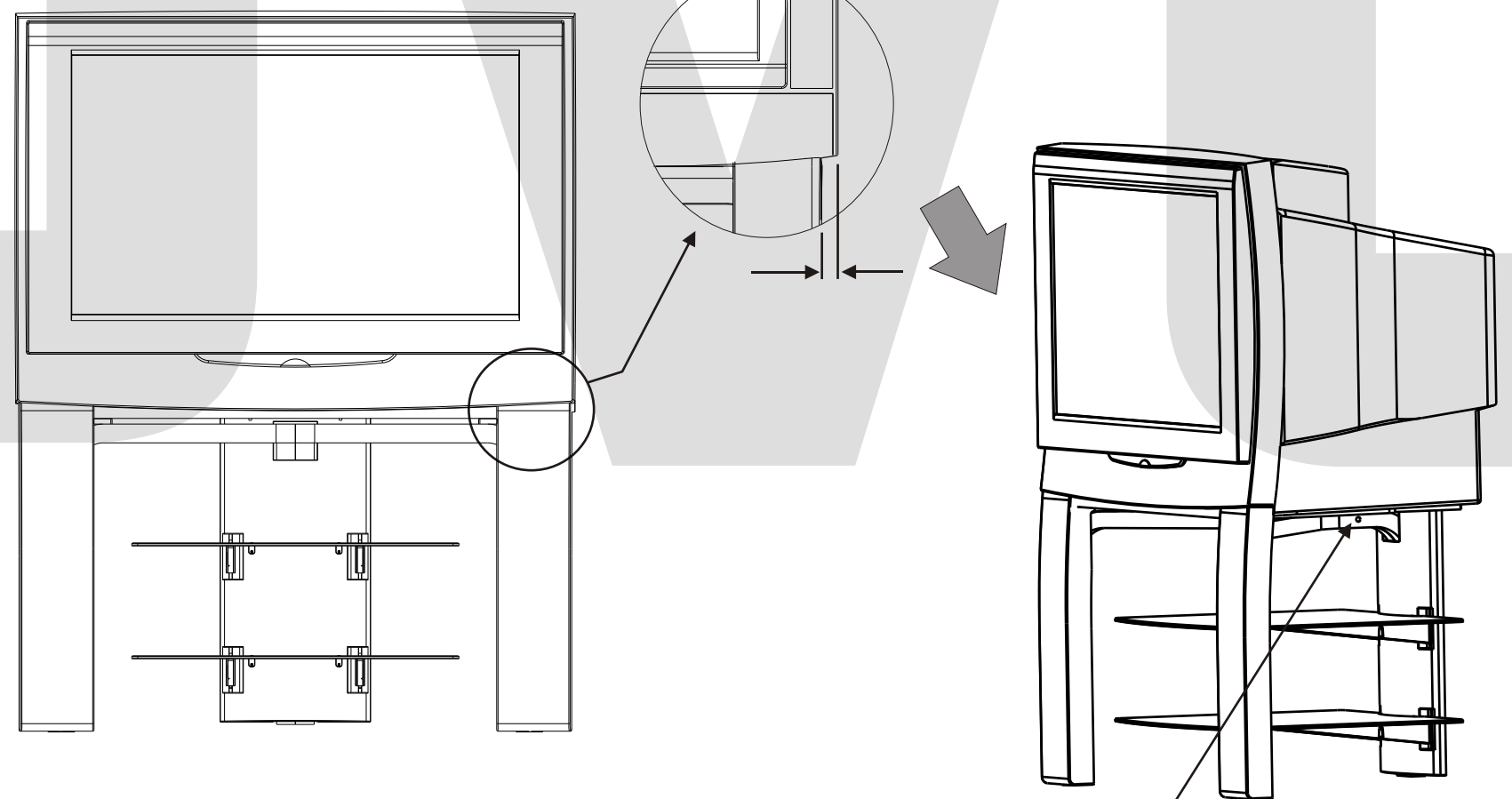


5



ASSEMBLY TIP !
 IF YOU EXPERIENCE A GAP BETWEEN
 THE PLASTIC LEG COVERS AND TV
 PLEASE UN-TIGHTEN THE SCREWS,
 ADJUST AS SHOWN AND RE-TIGHTEN
 SCREWS.

6



ASSEMBLY TIP !
 IF THERE IS EXCESSIVE OVERHANG OF THE TV AS SHOWN
 PLEASE ADJUST BY UN-SCREWING THIS SCREW UNTIL
 THE TV AND STAND LEGS ARE ALIGNED

Free Manuals Download Website

<http://myh66.com>

<http://usermanuals.us>

<http://www.somanuals.com>

<http://www.4manuals.cc>

<http://www.manual-lib.com>

<http://www.404manual.com>

<http://www.luxmanual.com>

<http://aubethermostatmanual.com>

Golf course search by state

<http://golfingnear.com>

Email search by domain

<http://emailbydomain.com>

Auto manuals search

<http://auto.somanuals.com>

TV manuals search

<http://tv.somanuals.com>