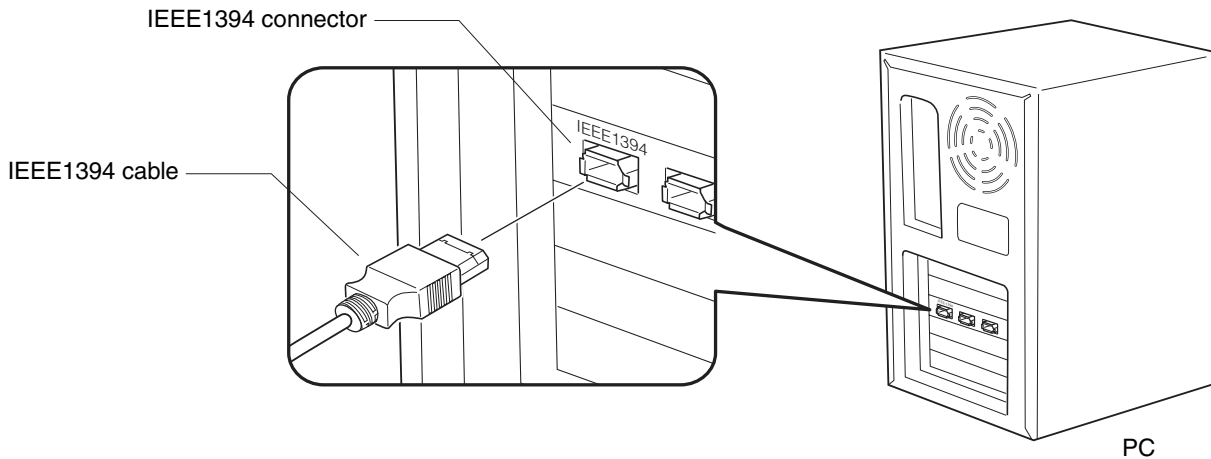


CAUTION

Important Notes When Connecting the IEEE1394 Cable

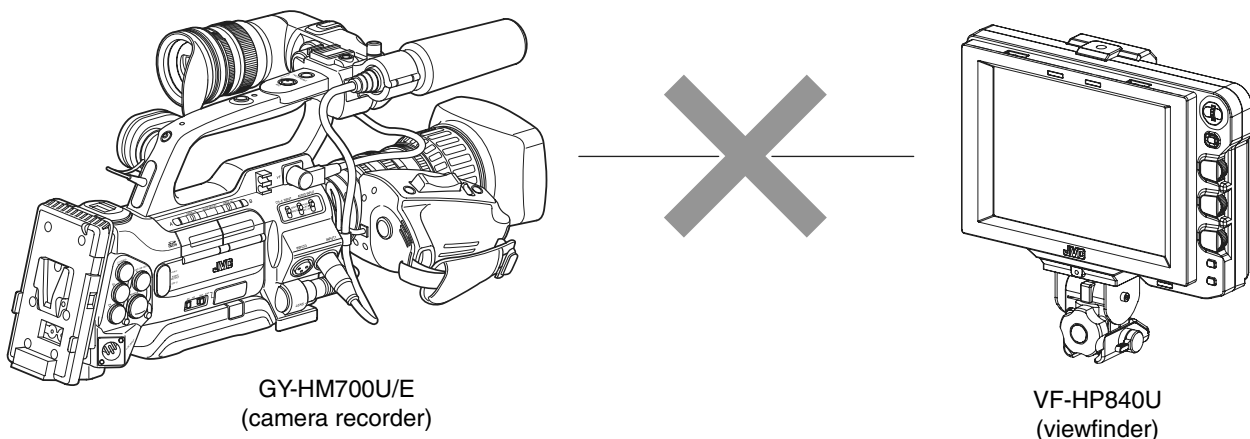


When connecting the IEEE1394 cable from camera recorder to other IEEE1394 device such as PC, make sure the following instructions, otherwise the IEEE1394 circuit device may be destroyed.

In this case repair at JVC authorized service center is required.

- Turn the power of both devices OFF and connect the IEEE1394 cable.
- At first connect 6 pin connector to PC or other IEEE1394 device, then connect 4 pin connector to camera recorder.
- Do not insert incorrectly (in reverse) the IEEE1394 cable end to IEEE1394 port of other devices.
- Do not connect the IEEE1394 cable under the condition of static electricity.
- Turn the power of both devices OFF when changing the IEEE1394 switch from/to HD/DV.

Important Notes When Connecting the VIEWFINDER



- The optional VF-HP840U viewfinder will not work even if it is connected to this camera recorder. Do not connect the VF-HP840U to this camera recorder as this may damaged both the VF-HP840U and this camera recorder.
- The viewfinder supplied is for the exclusive of this camera recorder, and it will not work even if it is connected to another device. Do not connect this camera recorder's viewfinder to another device as this may damaged both the viewfinder and the connected device.

Free Manuals Download Website

<http://myh66.com>

<http://usermanuals.us>

<http://www.somanuals.com>

<http://www.4manuals.cc>

<http://www.manual-lib.com>

<http://www.404manual.com>

<http://www.luxmanual.com>

<http://aubethermostatmanual.com>

Golf course search by state

<http://golfingnear.com>

Email search by domain

<http://emailbydomain.com>

Auto manuals search

<http://auto.somanuals.com>

TV manuals search

<http://tv.somanuals.com>