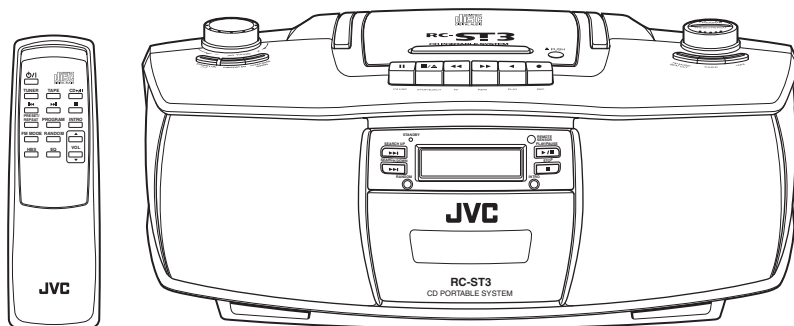


# JVC



## CD PORTABLE SYSTEM

# RC-ST3SL



**COMPACT**  
**disc**  
**DIGITAL AUDIO**

## INSTRUCTIONS

601-610000-030  
LVT1000-004A  
[B]

# Warnings, Cautions and Others

## IMPORTANT for the U.K.

**DO NOT** cut off the mains plug from this equipment. If the plug fitted is not suitable for the power points in your home or the cable is too short to reach a power point, then obtain an appropriate safety approved extension lead or consult your dealer.

**BE SURE** to replace the fuse only with an identical approved type, as originally fitted.

If nonetheless the mains plug is cut off ensure to remove the fuse and dispose of the plug immediately, to avoid a possible shock hazard by inadvertent connection to the mains supply.

If this product is not supplied fitted with a mains plug then follow the instructions given below:

### IMPORTANT:

**DO NOT** make any connection to the terminal which is marked with the letter E or by the safety earth symbol or coloured green or green-and-yellow.

The wires in the mains lead on this product are coloured in accordance with the following code:

Blue : Neutral  
Brown : Live


As these colours may not correspond with the coloured markings identifying the terminals in your plug proceed as follows:

The wire which is coloured blue must be connected to the terminal which is marked with the letter N or coloured black.

The wire which is coloured brown must be connected to the terminal which is marked with the letter L or coloured red.

**IF IN DOUBT - CONSULT A COMPETENT ELECTRICIAN.**

## Caution — STANDBY/ON button!

Disconnect the mains plug to shut the power off completely. The STANDBY/ON  button in any position does not disconnect the mains line. The power can be remote controlled.

### CAUTION

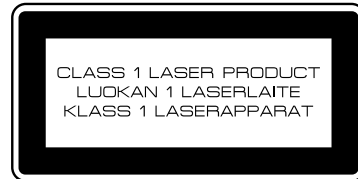
To reduce the risk of electrical shocks, fire, etc.:

1. Do not remove screws, covers or cabinet.
2. Do not expose this appliance to rain or moisture.

## IMPORTANT FOR LASER PRODUCTS

### REPRODUCTION OF LABELS

- ① CLASSIFICATION LABEL, PLACED ON EXTERIOR SURFACE



- ② WARNING LABEL, PLACED INSIDE THE UNIT

CAUTION -	INVISIBLE LASER RADIATION WHEN OPEN AND INTERLOCK DEFEATED. AVOID DIRECT EXPOSURE TO BEAM.
VORSICHT!	UNSICHTBARE LASERSTRAHLUNG TRITT AUS, WENN DECKEL GEÖFFNET UND WENN SICHERHEITSVERRIEGLUNG ÜBERBRÜCKT IST. NICHT DEM STRAHL AUSSETZEN!
VARNING -	OSYNLIG LASERSTRÅLNING NÄR DENNA DEL ÄR ÖPPNAD OCH SPÄRR ÄR URKOPPLAD STRÅLEN ÄR FARLIG.
ADVÆRSEL -	USYNLIG LASERSTRÅLING VED ÅBNING NÅR SIKKERHEDSAFBTIDERE ER UDE AF FUNKTION. UNDGÅ UDSÆTTELSE FOR STRÅLING.

1. CLASS 1 LASER PRODUCT
2. **DANGER:** Invisible laser radiation when open and interlock failed or defeated. Avoid direct exposure to beam.
3. **CAUTION:** Do not open the top cover. There are no user serviceable parts inside the Unit; leave all servicing to qualified service personnel.

### CAUTION

- Do not block the ventilation openings or holes. (If the ventilation openings or holes are blocked by a newspaper or cloth, etc., the heat may not be able to get out.)
- Do not place any naked flame sources, such as lighted candles, on the apparatus.
- When discarding batteries, environmental problems must be considered and local rules or laws governing the disposal of these batteries must be followed strictly.
- Do not expose this apparatus to rain, moisture, dripping or splashing and that no objects filled with liquids, such as vases, shall be placed on the apparatus.

## Caution: Proper Ventilation

To avoid risk of electric shock and fire, and to prevent damage, locate the apparatus as follows:

### 1 Front:

No obstructions and open spacing.

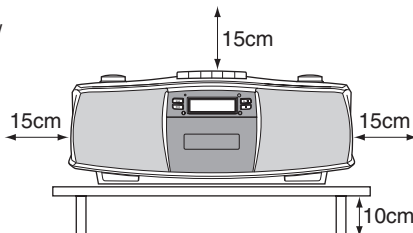
### 2 Sides/ Top/ Back:

No obstructions should be placed in the areas shown by the dimensions below.

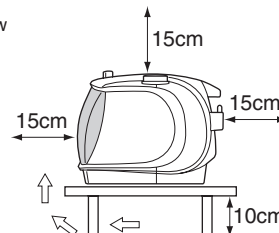
### 3 Bottom:

Place on the level surface. Maintain an adequate air path for ventilation by placing on a stand with a height of 10 cm or more.

Front view



Side view



## **SAFETY INSTRUCTIONS**

### **“SOME DOS AND DON'TS ON THE SAFE USE OF EQUIPMENT”**

This equipment has been designed and manufactured to meet international safety standards but, like any electrical equipment, care must be taken if you are to obtain the best results and safety is to be assured.

\*\*\*\*\*

Do read the operating instructions before you attempt to use the equipment.

Do ensure that all electrical connections (including the mains plug, extension leads and interconnections between pieces of equipment) are properly made and in accordance with the manufacturer's instructions. Switch off and withdraw the mains plug when making or changing connections.

Do consult your dealer if you are ever in doubt about the installation, operation or safety of your equipment.

Do be careful with glass panels or doors on equipment.

\*\*\*\*\*

DON'T continue to operate the equipment if you are in any doubt about it working normally, or if it is damaged in any way — switch off, withdraw the mains plug and consult your dealer.

DON'T remove any fixed cover as this may expose dangerous voltages.

DON'T leave equipment switched on when it is unattended unless it is specifically stated that it is designed for unattended operation or has a standby mode.

Switch off using the switch on the equipment and make sure that your family know how to do this.

Special arrangements may need to be made for infirm or handicapped people.

DON'T use equipment such as personal stereos or radios so that you are distracted from the requirements of traffic safety. It is illegal to watch television whilst driving.

DON'T listen to headphones at high volume as such use can permanently damage your hearing.

DON'T obstruct the ventilation of the equipment, for example with curtains or soft furnishings.

Overheating will cause damage and shorten the life of the equipment.

DON'T use makeshift stands and NEVER fix legs with wood screws — to ensure complete safety always fit the manufacturer's approved stand or legs with the fixings provided according to the instructions.

DON'T allow electrical equipment to be exposed to rain or moisture.

**ABOVE ALL**

- NEVER let anyone, especially children, push anything into holes, slots or any other opening in the case — this could result in a fatal electrical shock.
- NEVER guess or take chances with electrical equipment of any kind — it is better to be safe than sorry!

## CONTENTS

HANDLING PRECAUTIONS .....	1	PLAYING COMPACT DISCS .....	8
POWER SUPPLY .....	2	RADIO RECEPTION .....	12
NAMES OF PARTS AND CONTROLS .....	3	CASSETTE OPERATIONS .....	14
REMOTE CONTROL UNIT .....	4	MAINTENANCE .....	16
TURNING THE UNIT ON AND OFF .....	6	TROUBLESHOOTING .....	17
SETTING THE CLOCK .....	6	SPECIFICATIONS .....	18
ADJUSTING THE SOUND .....	7		

## HANDLING PRECAUTIONS

- **When not in use**

When not using the unit for an extended period of time, disconnect the AC power cord from the AC outlet.
- **AC power cord**
  - Do not handle the power cord with wet hands.
  - When unplugging the power cord from the wall outlet, always grasp and pull the plug, not the cord.
  - Do not modify the power cord in any manner. Do not bend it sharply or twist it.
  - Consult your dealer when damage, disconnection or contact failure is found with the power cord.
  - In case of lightning, unplug the AC power cord.
- **Do not disassemble the unit.**
- **Foreign objects and liquid**
  - Do not insert any metallic objects into the unit.
  - If water or some liquid gets inside the unit, unplug the power cord from the outlet and consult your dealer.
- **Avoid installing the unit in the following places:**
  - Where the temperature may become excessively high or low; the recommended temperature range is between 5°C and 35°C.
  - Where subject to vibrations.
  - Where it is excessively humid, such as in a bathroom.
  - In a badly ventilated place.
  - Near strong magnetic fields.
- **Do not use the unit in direct sunlight or leave it in a closed automobile, etc.**

The unit might be exposed to high temperatures above 40°C.
- **Ventilation**

Do not block the ventilation holes of the unit; otherwise heat cannot escape from the unit.
- **CD pickup lens**

Do not leave the disc compartment cover open; otherwise the CD pickup lens might be contaminated with dust. Do not touch the lens with fingers.
- **Condensation**

Moisture may form on the CD pickup lens when:

  - A heater has just been switched on in the room where the unit is used.
  - The unit is in a place with smoke or high humidity.
  - The unit has just moved from a cold place to a warm room.

If the unit has condensation inside, it may not function correctly. Should this occur, turn on the unit and wait one or two hours before use.
- **Do not place magnetic objects near the speakers.**

Since the speakers contain magnets inside, do not place cassette tapes or magnetic cards nearby as recorded data could be erased.
- **Keep the unit away from a TV.**

Do not place the unit near a TV or avoid using the unit when the TV is turned on; otherwise the TV picture could be distorted.
- **Carrying handle**
  - Do not raise or lower the carrying handle with the telescopic antenna extended, to avoid damage to the antenna.
  - Position the carrying handle so that it does not interfere with operation.

## POWER SUPPLY

### Operation on household AC

- 1 Connect the supplied AC power cord to the AC IN  $\sim$  jack on the rear panel of the unit.
- 2 Plug the AC power cord into an AC power outlet.

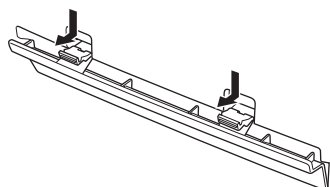
#### Cautions

- Use only the JVC power cord provided with this unit to avoid malfunction or damage to the unit.
- Even when you turn off the unit by pressing the STANDBY/ON  $\odot/\text{I}$  button, a very small current continues to flow. To save power and for safety when not using the unit for an extended period of time, disconnect the power cord from the household AC outlet.

### Operation on batteries

#### Installing batteries

- 1 Open the battery compartment cover by pressing down the two tabs.



- 2 Install eight R20P (SUM-1)/D (13F) batteries. Insert the batteries with  $\oplus$  and  $\ominus$  positioned correctly referring to the drawing above the battery compartment.
- 3 Replace the cover.

### Battery replacement

When the tape speed or output sound level decreases, or CD playback becomes intermittent, replace all batteries with fresh ones.

### For better battery usage

- When making an important recording, use of new batteries (preferably alkaline batteries with a longer service life) is recommended to avoid any possible failure.
- To prevent the power from being accidentally turned on, remove the batteries when carrying the unit by hand or in the trunk of a car, thus avoiding wasteful battery consumption.
- Continuous operation of the unit causes the battery power to be consumed quicker than non-continuous operation.
- Operation of the unit in a cold place causes the battery power to be consumed more quickly than in a warm place.

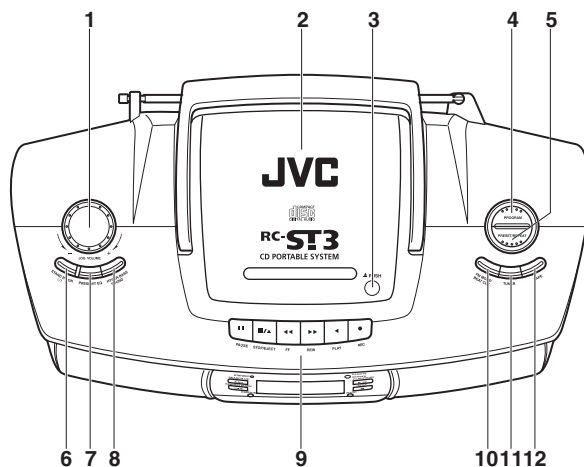
#### Cautions

**If batteries are used incorrectly, it may result in electrolyte leakage or they may explode.**

- Make sure that the batteries are installed with the positive  $\oplus$  and negative  $\ominus$  terminals positioned correctly.
- Do not mix new and old batteries together, or mix different types of batteries.
- Do not try to recharge non-rechargeable batteries.
- Remove the batteries when the unit is not to be used for an extended period of time.
- Remove the batteries when operating the unit on the household AC; though the power supply is automatically switched from the batteries to the household AC when the AC power cord is connected.
- If chemicals leaking from batteries come in contact with your skin, wash them off immediately with water. If chemicals leak on the surface of the unit, clean the unit completely.

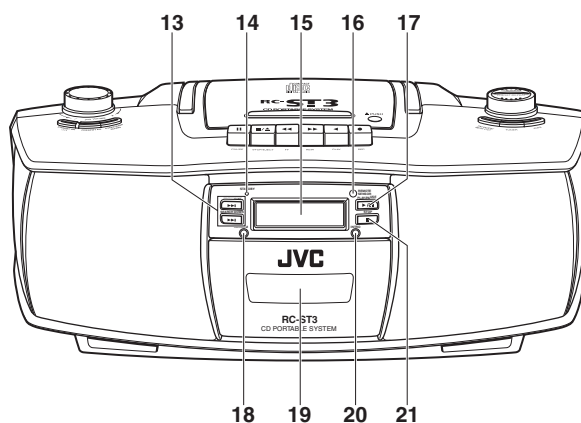
# NAMES OF PARTS AND CONTROLS

## Top



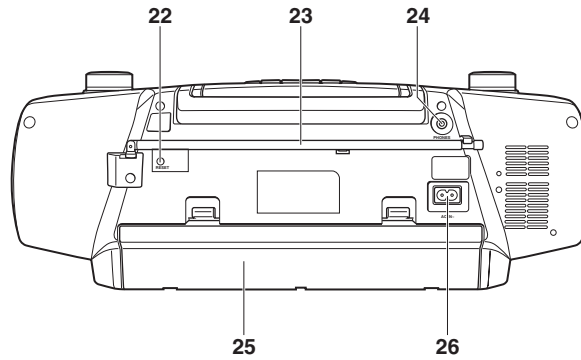
- |  |   |
|--|---|
| <ul style="list-style-type: none"> <li>1 JOG VOLUME control</li> <li>2 Disc compartment</li> <li>3 ▲ PUSH</li> <li>4 PROGRAM button</li> <li>5 PRESET/REPEAT button</li> <li>6 STANDBY/ON ⏻/⏻ button</li> <li>7 PRESET EQ button</li> <li>8 HYPER-BASS SOUND button</li> </ul> | <ul style="list-style-type: none"> <li>9 Cassette operation buttons                     <ul style="list-style-type: none"> <li>▬▬ PAUSE button</li> <li>■/▲ STOP/EJECT button</li> <li>◀◀ FF button</li> <li>▶▶ REW button</li> <li>◀ PLAY button</li> <li>● REC button</li> </ul> </li> <li>10 FM MODE/BEAT CUT button</li> <li>11 TUNER button</li> <li>12 TAPE button</li> </ul> |
|--|---|

## Front



- |   |  |
|---|--|
| <ul style="list-style-type: none"> <li>13 ▶▶ SEARCH UP and ◀◀ SEARCH DOWN buttons</li> <li>14 STANDBY indicator</li> <li>15 Display window</li> <li>16 REMOTE SENSOR</li> </ul> | <ul style="list-style-type: none"> <li>17 ▶/▬▬ PLAY/PAUSE button</li> <li>18 RANDOM button</li> <li>19 Cassette holder</li> <li>20 INTRO button</li> <li>21 ■ STOP button</li> </ul> |
|---|--|

## Rear



22 RESET key

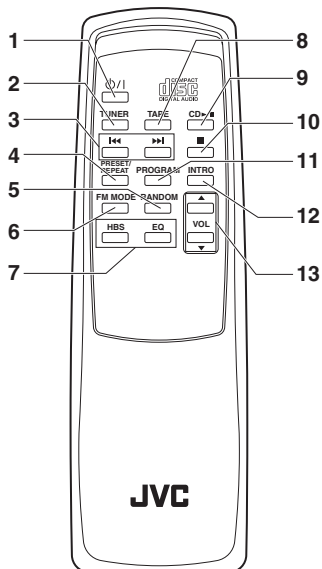
23 FM telescopic antenna

24 PHONES jack

25 Battery compartment

26 AC IN  $\sim$  jack

## REMOTE CONTROL UNIT



1  $\text{O/I}$  button

2 TUNER button

3  $\blacktriangleleft$  and  $\blacktriangleright$  buttons

4 PRESET/REPEAT button

5 RANDOM button

6 FM MODE button

7 Sound control buttons

HBS button

EQ button

8 TAPE button

9 CD  $\blacktriangleright$ /II button

10  $\blacksquare$  button

11 PROGRAM button

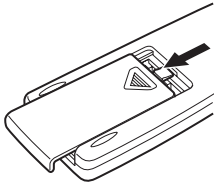
12 INTRO button

13 VOL  $\blacktriangle$  and VOL  $\blacktriangledown$  buttons

---

## Installing batteries

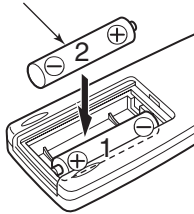
### 1 Remove the battery compartment cover.



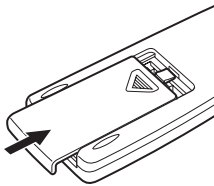
### 2 Insert two R03 (UM4)/AAA (24F) batteries.

Insert the  $\ominus$  ends first. Make sure that the  $\oplus$  and  $\ominus$  terminals are positioned correctly.

R03 (UM4)/AAA (24F) battery



### 3 Replace the cover.



---

## Battery replacement

The maximum operating distance between the remote control unit and the REMOTE SENSOR section on the main unit is approximately 7 meters.

When this operating range decreases or operations with the remote control unit become unstable, replace both batteries with new ones.

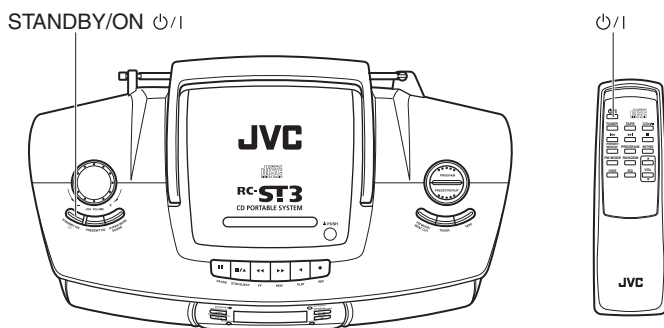
---

## Notes on using the remote control unit

- Point the top of the remote control unit toward the REMOTE SENSOR section as directly as possible. The distance operable from the main unit decreases if you point the remote control unit at an angle.
- Do not expose the REMOTE SENSOR section to strong lighting or direct sunlight.
- Make sure that there are no obstacles between the remote control unit and the REMOTE SENSOR section.



## TURNING THE UNIT ON AND OFF


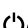


### To turn on the unit

Press **STANDBY/ON**  (or  on the remote control unit).

The **STANDBY** indicator goes off. The unit turns on ready to play the source selected when the unit was last turned off.

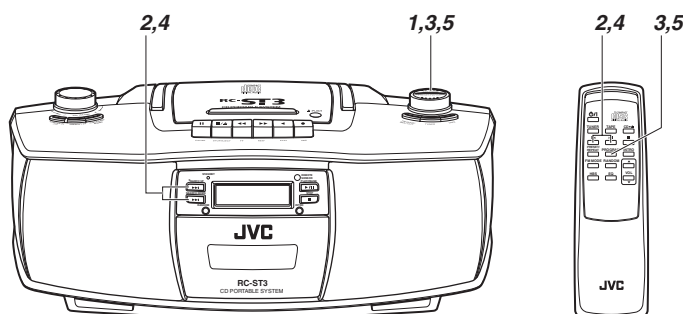
### To turn off the unit

Press **STANDBY/ON**  (or  on the remote control unit) again.

The **STANDBY** indicator lights up in red and the unit enters the standby mode.

## SETTING THE CLOCK

The clock is displayed when the unit is in the standby mode.



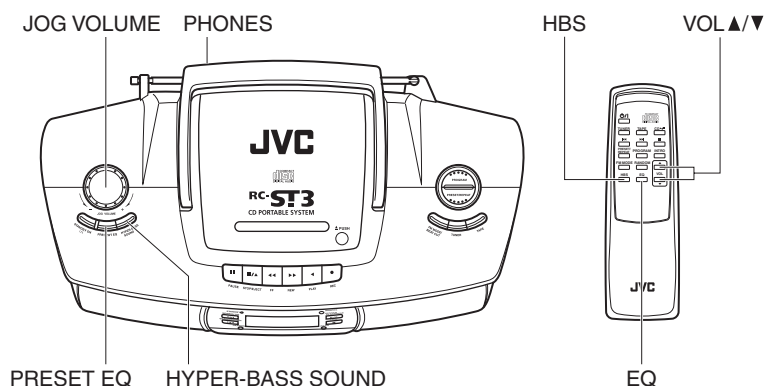
### When the unit is turned off

- 1 Press and hold **PROGRAM** on the main unit until the hour indication starts flashing.
- 2 Press **◀◀** or **▶▶** to set the hour.
- 3 Press and hold **PROGRAM** until the minute indication starts flashing.
- 4 Press **◀◀** or **▶▶** to set the minute.
- 5 Press and hold **PROGRAM** until the clock starts functioning.

### Notes

- In step 1, you can press the **PROGRAM** button only on the main unit, not on the remote control unit.
- If the unit is disconnected from the power source for a certain period of time, the clock setting will be lost. In this case, reset the clock again.
- The clock may gain or lose one to two minutes per month.

## ADJUSTING THE SOUND



### Volume adjustment

#### To increase the volume

Turn **JOG VOLUME** clockwise (or press **VOL ▲** on the remote control unit).

#### To decrease the volume

Turn **JOG VOLUME** counterclockwise (or press **VOL ▼** on the remote control unit).

#### Caution

Do not turn off the unit with the volume set to an extremely high level; otherwise a sudden blast of sound might be produced damaging your hearing and/or the speakers, when you turn on the unit next time or start playing another source.

### Listening through headphones

Connect a pair of headphones to the **PHONES** jack.

Use commercially available 3.5-mm stereo mini headphones (16  $\Omega$  to 32  $\Omega$ ).

No sound comes out of the speakers when headphones are connected.

#### Cautions

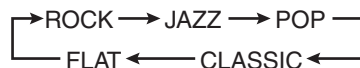
- Turn down the volume before connecting headphones and keep the volume level low; as listening at high volumes could damage your hearing.
- Do not drive while listening through headphones.

### Changing the EQ (equalizer) setting

The unit has several preset EQ (equalizer) settings so that you can select one that most matches the type of music being played.

Press **PRESET EQ** (or **EQ** on the remote control unit) repeatedly.

Each time you press the button, the EQ setting changes as shown below.



### Reinforcing the bass sound

You can enjoy powerful bass sound by turning on the Hyper-Bass Sound effect.

Press **HYPER-BASS SOUND** (or **HBS** on the remote control unit).

When the Hyper-Bass Sound effect is turned on, the HBS indicator lights up in the display window.

#### To turn off the effect

Press the same button again so that the HBS indicator goes off.

## PLAYING COMPACT DISCS

### Playable discs

The unit can play audio CDs (8 cm and 12 cm) with the following mark.



The unit can also play CD-R and CD-RW discs recorded in music CD format.

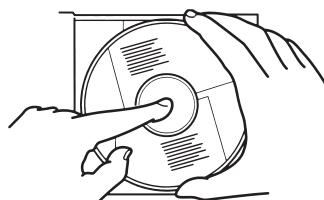
### Notes on CD-R and CD-RW discs

- User-edited CD-R (Recordable) and CD-RW (Rewritable) discs can be played only if they are already finalized.
- Some CD-R and CD-RW discs may not be played on the unit depending on the disc characteristics or recording conditions.
- Before playing CD-R or CD-RW discs, read their instructions and cautions carefully.
- Some CD-R and CD-RW discs may not be played on the unit because of damage or stain on them, or if the CD pickup lens is dirty.
- CD-RW discs may require a longer readout time (due to the fact that the reflectance of CD-RW discs is lower than that of regular CDs).

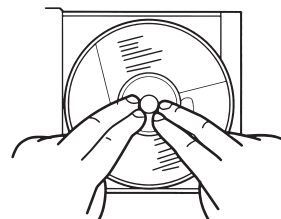
### Notes on handling discs

The following care should be taken to keep discs in good condition, since dirty, damaged or warped discs could lead to sound deterioration and damaging the unit.

- Do not touch the reflective recorded surface.
- Do not stick or write anything on both surfaces.
- Do not bend discs.
- Do not expose discs to direct sunlight, high temperatures from a heater, etc., high humidity, or dust.
- After using a disc be sure to put it back in its case.
- To remove a disc from its storage case, press the center and lift the disc out.



- When replacing a disc in its case, press the center part to secure the disc.



- Clean off any dust, dirt or fingerprints on discs with a soft, dry cloth, wiping from the center to edge. Never use thinner, benzene, record cleaner or antistatic spray.

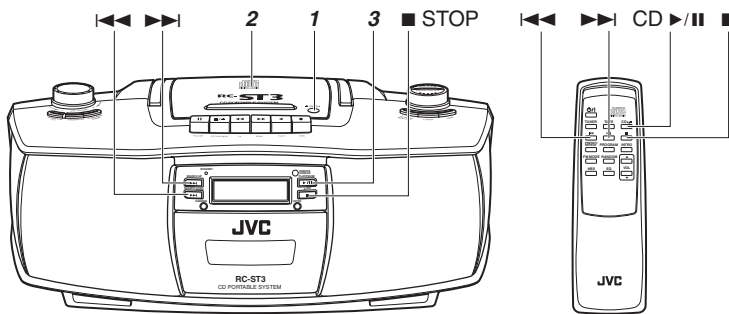


Correct



Incorrect

## Basic operations

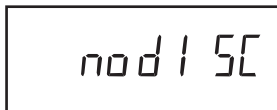


- 1 Press **▲ PUSH** to open the disc compartment cover.
- 2 Load a disc with the label side facing up and close the cover.
- 3 Press **▶/|| PLAY/PAUSE** (or **CD ▶/||** on the remote control unit) to start playback.  
During playback, the current track number and the elapsed playing time of the track are displayed.



### Notes

- The following indication is displayed when the unit cannot read the disc information. Check if the disc is dirty or scratched, or the disc is loaded upside down.



- Skipping of sound may occur if a strong shock is applied to the unit or the unit is subject to vibrations. If this happens, stop playback (or at least lower the volume), and replace the unit in a secure place.

### To stop playback

Press **■ STOP** (or **■** on the remote control unit).  
The total playing time and total number of tracks of the disc are displayed in the CD stop mode.

### Caution

Never open the disc compartment unless the unit is in the stop mode. When removing a disc from the disc compartment, make sure that the disc has completely stopped rotating.

### To pause playback

Press **▶/|| PLAY/PAUSE** (or **CD ▶/||** on the remote control unit).

To resume playback, press the button again.

### Selecting a desired track before playback

- 1 In the CD stop mode, press **◀◀** or **▶▶** repeatedly until the desired track number is displayed.
- 2 Press **▶/|| PLAY/PAUSE** (or **CD ▶/||** on the remote control unit) to start playback.

### Skipping tracks

Press **◀◀** or **▶▶** during playback.

- To skip to the beginning of the next track: press **▶▶**.
- To skip back to the beginning of the track currently being played: press **◀◀**.
- To skip back to the beginning of the previous track: press **◀◀** twice in rapid succession.

### Search

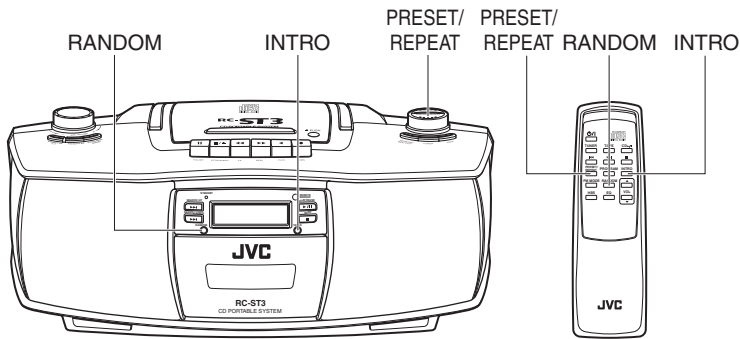
You can locate a desired position on the disc quickly by fast-forward or reverse search.

Press and hold **◀◀** or **▶▶** during playback.

- To search in the forward direction: **▶▶**
- To search in the reverse direction: **◀◀**

Release the button when you find the desired position. Playback continues from the selected position.

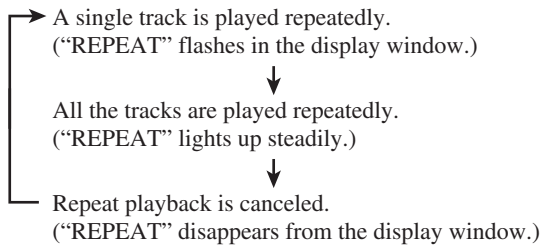
## Various playback operations



### Repeat playback

**Press PRESET/REPEAT before or during playback.**

Each time you press the button, the repeat mode changes as shown below.



### Random playback

**Press RANDOM before or during playback.**

The RANDOM indicator lights up in the display window, and the tracks are played in random order.

Random playback ends when all the tracks are played once.

### To cancel random playback

Press RANDOM again so that the RANDOM indicator goes off.

### Introductory playback

You can play the introductory portion (10 seconds) of each track successively.

**Press INTRO before or during playback.**

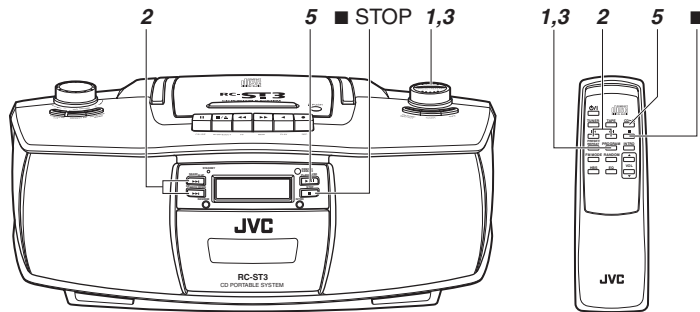
The INTRO indicator lights up in the display window, and introductory playback starts.

### To cancel introductory playback

Press INTRO again so that the INTRO indicator goes off.

## Programmed playback

You can program up to 16 tracks to be played in your desired order.



### 1 Press PROGRAM in the CD stop mode.



### 2 Press ◀◀ or ▶▶ to select a desired track to be programmed.



### 3 Press PROGRAM.

The selected track is registered on the program.

### 4 Repeat steps 2 and 3 to program other tracks.

### 5 Press ▶/|| PLAY/PAUSE (or CD ▶/|| on the remote control unit).

Programmed playback starts.

### Note

The unit does not store more than 16 programmed tracks in its memory. If you select more than 16 tracks, programmed tracks are overwritten from the first track.

### To check the order of tracks on the program

Press PROGRAM repeatedly in the CD stop mode.

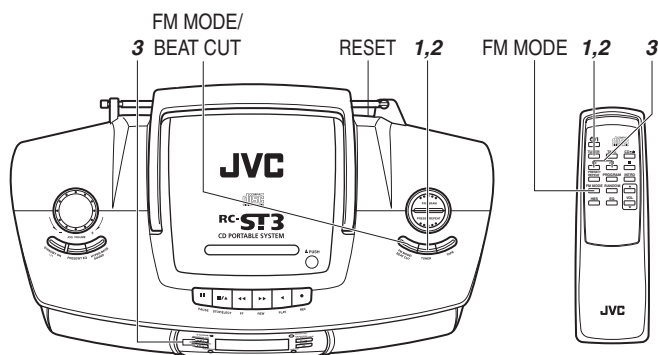
### To clear the program

Press ■ STOP (or ■ on the remote control unit) in the CD stop mode.

The program is also canceled when you open the disc compartment cover.

## RADIO RECEPTION

### Tuning to a station



**1** Press TUNER to set to the tuner mode.

**2** Press TUNER to select the band, FM or AM (MW).

**3** Press and hold |◀◀ or ▶▶| for about one second.

The unit starts searching and stops when a station of sufficient signal strength is tuned in.

If you press |◀◀ or ▶▶| briefly and repeatedly, the frequency changes step by step.

### Changing the FM reception mode

When an FM stereo broadcast is hard to receive or noisy, reception may improve by changing to monaural reception mode.

**Press FM MODE/BEAT CUT (or FM MODE on the remote control unit).**

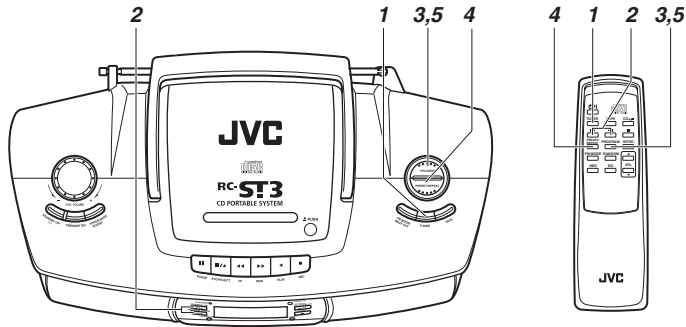
The MONO indicator lights up in the display window.

### To restore stereo reception

Press the button again so that the MONO indicator goes off.

## Presetting stations

You can preset 20 FM and 12 AM stations.



**1** Press **TUNER** to select the band, FM or AM (MW).

**2** Tune to a station you want to preset using **◀◀** or **▶▶**.

**3** Press **PROGRAM**.



**4** Press **PRESET/REPEAT** repeatedly to select a preset number.

The selected preset number flashes.



**5** Press **PROGRAM**.

The station with the preset number is stored in the memory.

**6** Repeat steps 2 to 5 to preset other stations, allocating a different preset number to each of them.

### Note

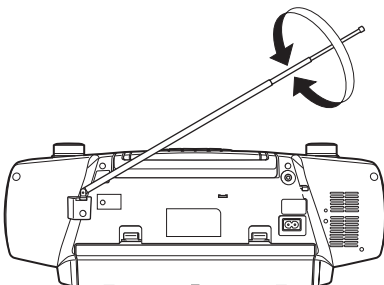
If the unit is unplugged or a power failure occurs, the preset stations will be erased from the memory. If this happens, you need to preset the stations again.

### Tuning to a preset station

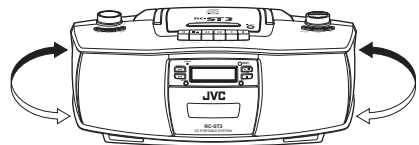
After selecting the band, FM or AM (MW), press **PRESET/REPEAT** repeatedly until the desired preset number appears.

## Adjusting the antennas

**FM**



**AM**



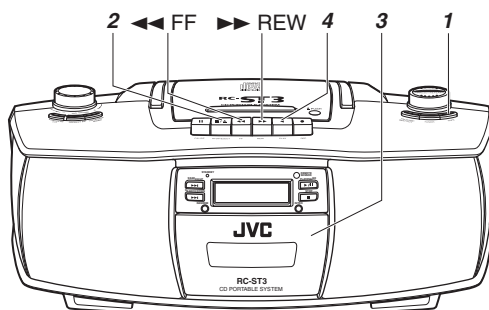
### Note

Place the unit away from the TV or turn off the TV, when listening to an AM station, to prevent the built-in ferrite core antenna picking up interference from the TV.



## CASSETTE OPERATIONS

### Playing back a cassette



- 1 Press **TAPE** to set to the tape mode.
- 2 Press **■/▲ STOP/EJECT** to open the cassette holder.
- 3 Load a cassette with the open side up and the playback side facing out, then close the cassette holder.
- 4 Press **◀ PLAY** to start playback.

### To stop playback

Press **■/▲ STOP/EJECT**.

Playback automatically stops when the tape reaches the end.

### To fast-wind a tape

Press **◀◀ FF** or **▶▶ REW**.

- To fast-wind in the forward direction: **◀◀ FF**
- To fast-wind in the reverse direction: **▶▶ REW**

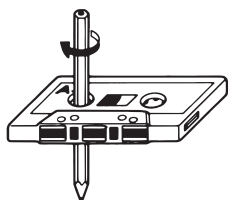
When the tape reaches the end, press **■/▲ STOP/EJECT** to release the **◀◀ FF** or **▶▶ REW** button.

### Notes on cassette tapes

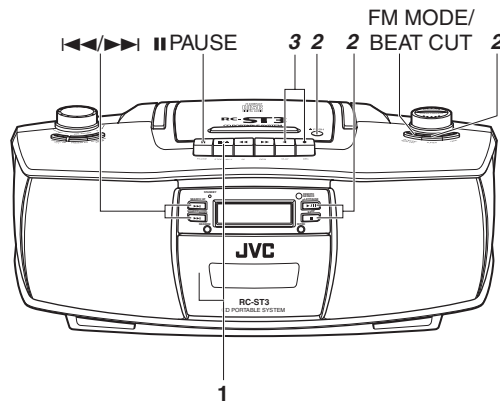
- It should be noted that it may be unlawful to re-record pre-recorded tapes, records, or discs without the consent of the owner of copyright in the sound or video recording, broadcast or cable program and in any literary, dramatic, musical, or artistic work embodied therein.
- Use only normal tapes of type I for playback and recording.
- Use of tapes longer than 120 minutes is not recommended, since characteristic deterioration may occur and these tapes easily jam in the pinch roller and capstan.
- Loose tape can cause trouble. If you notice some slack in the tape, tighten it up using a pencil.

### To prevent accidental erasure

Remove the tab(s) with a screwdriver. When you want to erase the recording or re-record on the tape, reseal the slot(s) with adhesive tape.



## Recording on a cassette



The following marks are used to distinguish the two recording sources in the procedure below.

**TUNER**: When recording from the radio

**CD**: When recording from a CD

### 1 Load a cassette.

### 2 Prepare the recording source.

**TUNER**: Set to the tuner mode and tune to a desired station (see pages 12 and 13).

**CD**: Load a CD and set to the CD stop mode (see page 9). You can specify a desired track to start recording by pressing ◀◀ or ▶▶.

### 3 Press ● REC to start recording.

The ◀PLAY button is also depressed with the ● REC button.

**CD**: The CD player starts playback when the cassette deck enters the recording mode (synchronized recording).

## To stop recording

### Press ■/▲ STOP/EJECT.

Recording also stops when the tape reaches the end.

**CD**: The CD player stops playback when the tape stops running at its end or by your pressing ■/▲ STOP/EJECT.

When the CD player reaches the end of the disc and stops playback earlier, the tape continues running. In this case, press ■/▲ STOP/EJECT to stop the tape.

## To start recording at the exact moment

1 In step 3 above, press || PAUSE before pressing ● REC.

2 Press || PAUSE again to release the tape at the exact moment you want to start recording.

## To remove beats during AM broadcast recording

Press FM MODE/BEAT CUT repeatedly to select the better beat-cut reception mode.

## To erase the recording

You can erase the recording on a tape without overwriting the tape with a new recording.

1 Set to the CD stop mode with no disc loaded in the unit.

2 Press ● REC to start erasing.

The ◀PLAY button is also depressed with the ● REC button.

## MAINTENANCE

### Cleaning the cabinet

Wipe it with a soft, dry cloth. Never use benzene or thinner as these could damage the surface finish.

### Cleaning the heads, capstan and pinch roller

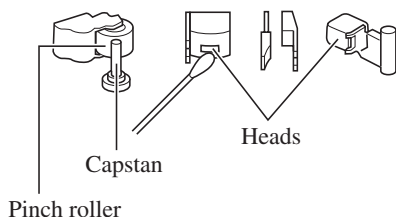
When the tape is running, magnetic powder and dust naturally accumulate on the heads, capstan and pinch roller.

When they become too dirty:

- Sound quality deteriorates.
- The sound output level drops.
- The previous recording is not completely erased.
- Recording is not performed correctly.

To avoid these, clean the heads, capstan and pinch roller every 10 hours of use.

For effective cleaning, use a cleaning kit available at audio stores. Make sure that the cleaning fluid has dried completely before loading a cassette.




#### Note

Do not use thinner or benzene, as these will damage the rubber pinch roller (use of alcohol is permitted).

### Demagnetizing the recording/playback head

If the head becomes magnetized, noise will increase and the sound will deteriorate.

Demagnetize the recording/playback head every 20 to 30 hours of use with a head demagnetizer available at audio stores. When demagnetizing the head, turn off the unit to the standby mode by pressing the STANDBY/ON  button.

#### Caution

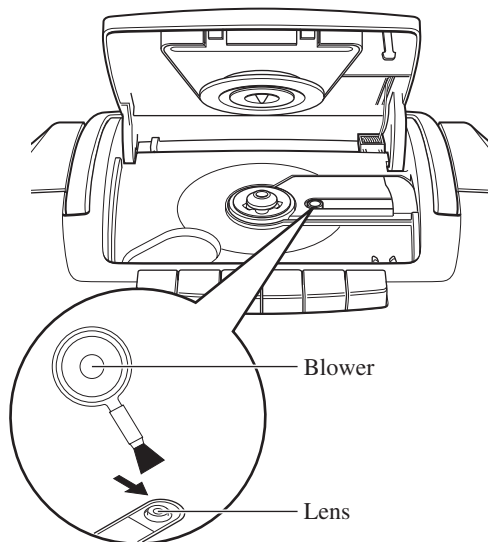
As the erasure head of the unit is of magnetic type, do not demagnetize it.

### Cleaning the CD pickup lens

If the CD pickup lens is dirty, clean the lens to prevent sound deterioration.

Gently wipe off fingerprints, etc. on the lens using a cotton swab.

To blow off dust on the lens, use a blower available at camera shops, etc., as shown below.



## TROUBLESHOOTING

What appears to be trouble is not always serious. Referring to the following, check whether your problem can be solved with a simple operation.

### **Power cannot be turned on.**

- Is the AC power cord unplugged?

### **Remote control does not function.**

- Are the batteries in the remote control unit exhausted?
- Is the REMOTE SENSOR section exposed to bright light (direct sunlight, etc.)?

### **No sound is heard from the speakers.**

- Are headphones connected?

### **Playback sound is at a very low level.**

- Are the batteries exhausted?
- Is the head of the cassette deck dirty?

### **The disc is loaded but does not play.**

- Is the disc upside down?
- Is the disc dirty, damaged or warped?
- Is the CD pickup lens dirty?
- Is there moisture condensation on the CD pickup lens? If so, turn on the unit and wait one or two hours until moisture evaporates before use.

### **Radio reception is poor and there is much static.**

- Is the antenna properly adjusted?

### **When the ◀ PLAY button is pressed, the tape does not run.**

- Is the || PAUSE button pressed?

### **The ● REC button does not function.**

- Is a cassette loaded?
- Are the erasure-prevention tabs of the cassette broken off?

### **The tape speed is irregular and there are wow and flutter.**

- Is the pinch roller or capstan dirty?
- Are the batteries exhausted?

#### **How to reset the unit**

If normal operations are disabled, reset the unit as follows:

1. Turn off the unit.
2. Press the RESET key with the tip of a small screwdriver or similar tool.
3. Turn on the unit.

The clock setting and preset AM/FM stations will be lost when the RESET key is pressed. You need to set the clock and preset AM/FM stations again.

## SPECIFICATIONS

### Compact disc player

Signal detection system	: Non-contact optical pickup (semiconductor laser)
Number of channels	: 2 channels (stereo)
Frequency response	: 20 Hz - 20 000 Hz
Signal-to-noise ratio	: 90 dB
Wow and flutter	: Less than measurable level

### Tuner

FM frequency range	: 87.50 MHz - 108.00 MHz
AM frequency range	: 522 kHz - 1 629 kHz
Antennas	: Telescopic antenna for FM Ferrite core antenna for AM

### Cassette deck

Track system	: 4-track 2-channel stereo
Motor	: Electronic governor DC motor for capstan
Heads	: Hard Permalloy head for recording/playback Magnetic head for erasure
Frequency response	: 80 Hz - 12 500 Hz
Wow and flutter	: 0.15% (WRMS)
Fast-winding time	: Approx. 120 sec. (C-60 cassette)

### General

Speakers	: 10 cm × 2
Power output	: 2 W per channel, min. RMS, driven into 8 Ω at 1 kHz, with no more than 10% total harmonic distortion (IEC 268-3)
Output terminal	: PHONES × 1, output level 0 mW - 20 mW/32 Ω, matching impedance: 16 Ω - 32 Ω
Power supply	: AC 230 V ~, 50 Hz DC 12 V (batteries R20P (SUM-1)/D (13F) × 8)
Power consumption	: 19 W (operation mode) 3.2 W (standby mode)
Dimensions	: 440 mm (W) × 168 mm (H) × 241 mm (D)
Mass	: Approx. 3.1 kg (without batteries)

### Accessories

AC power cord	× 1
Remote control unit	× 1
Batteries for the remote control unit,	R03 (UM-4)/AAA (24F) × 2

*Design and specifications are subject to change without notice.*



# JVC

## CD PORTABLE SYSTEM

CD-PORTABLE-SYSTEM

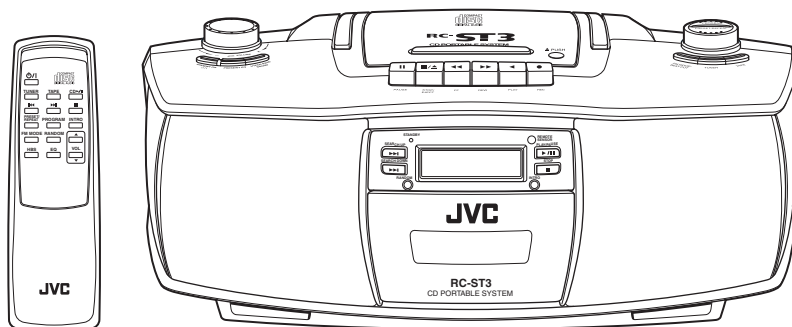
CHAINE PORTABLE A CD

DRAAGBAAR CD-SYSTEEM

SISTEMA PORTATIL CON CD

SISTEMA PORTATILE CD

# RC-ST3SL



**COMPACT**  
**disc**  
**DIGITAL AUDIO**

**INSTRUCTIONS**  
*BEDIENUNGSANLEITUNG*  
*MANUEL D'INSTRUCTIONS*  
*GEBRUIKSAANWIJZING*  
*MANUAL DE INSTRUCCIONES*  
*ISTRUZIONI*

601-610000-040  
LVT1000-005A  
[E]

# Warnings, Cautions and Others

## Warnung, Achtung und sonstige Hinweise

### Mises en garde, précautions et indications diverses


### Waarschuwingen, voorzorgen en andere mededelingen

### Avisos, Precauciones y Varios


### Simboli di avvertenza, attenzione e altri

---

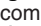
#### Caution — STANDBY/ON button!

Disconnect the mains plug to shut the power off completely. The STANDBY/ON  button in any position does not disconnect the mains line. The power can be remote controlled.

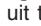
#### Achtung — STANDBY/ON -Schalter!

Den Netzstecker aus der Steckdose ziehen, um die Stromversorgung vollkommen zu unterbrechen. Der Schalter STANDBY/ON  unterbricht in keiner Stellung die Stromversorgung vollkommen. Die Stromversorgung kann mit der Fernbedienung ein- und ausgeschaltet werden.


#### Attention — Commutateur STANDBY/ON !

Déconnecter la fiche de secteur pour couper complètement le courant. Le commutateur STANDBY/ON  ne coupe jamais complètement la ligne de secteur, quelle que soit sa position. Le courant peut être télécommandé.

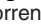
#### Voorzichtig — STANDBY/ON schakelaar!

Om de stroomtoevoer geheel uit te schakelen, trekt u de stekker uit het stopkontakt. Anders zal er altijd een geringe hoeveelheid stroom naar het apparaat lopen, ongeacht de stand van de STANDBY/ON  schakelaar. U kunt het apparaat ook met de afstandsbediening aan- en uitschakelen.

#### Precaución — Botón STANDBY/ON !

Quitar el enchufe principal para desconectar completamente la tensión de red. El botón STANDBY/ON  en cualquier posición no desconecta la tensión de la red. La tensión puede ser controlada a distancia.

#### Attenzione — tasto STANDBY/ON !

Per interrompere l'erogazione di corrente, scollegare la spina dalla presa. L'uso del tasto di accensione e spegnimento STANDBY/ON  non interrompe l'erogazione della corrente. L'unità può essere accesa e spenta con il telecomando.

#### Per l'Italia:

“Si dichiara che questo prodotto di marca JVC è conforme alle prescrizioni del Decreto Ministeriale n.548 del 28/08/95 pubblicato sulla Gazzetta Ufficiale della Repubblica Italiana n.301 del 28/12/95.”

---

#### CAUTION

To reduce the risk of electrical shocks, fire, etc.:

1. Do not remove screws, covers or cabinet.
2. Do not expose this appliance to rain or moisture.

#### ACHTUNG

Zur Verhinderung von elektrischen Schlägen, Brandgefahr, usw.:

1. Keine Schrauben lösen oder Abdeckungen entfernen und nicht das Gehäuse öffnen.
2. Dieses Gerät weder Regen noch Feuchtigkeit aussetzen.

#### ATTENTION

Afin d'éviter tout risque d'électrocution, d'incendie, etc.:

1. Ne pas enlever les vis ni les panneaux et ne pas ouvrir le coffret de l'appareil.
2. Ne pas exposer l'appareil à la pluie ni à l'humidité.

#### VOORZICHTIG

Ter vermindering van gevaar voor brand, elektrische schokken, enz.:

1. Verwijder geen schroeven, panelen of de behuizing.
2. Stel dit toestel niet bloot aan regen of vocht.

#### PRECAUCIÓN

Para reducir el riesgo de descargas eléctricas, fuego, etc.:

1. No quitar los tornillos, tapas o caja.
2. No exponer el aparato a la lluvia ni a la humedad.

#### ATTENZIONE

Per ridurre il rischio di scosse elettriche, incendio e altro:

1. Non rimuovere le viti, i coperchi o il rivestimento.
2. Non esporre questo apparecchio alla pioggia o all'umidità.



**CAUTION:**

- Do not block the ventilation openings or holes. (If the ventilation openings or holes are blocked by a newspaper or cloth, etc., the heat may not be able to get out.)
- Do not place any naked flame sources, such as lighted candles, on the apparatus.
- When discarding batteries, environmental problems must be considered and local rules or laws governing the disposal of these batteries must be followed strictly.
- Do not expose this apparatus to rain, moisture, dripping or splashing and that no objects filled with liquids, such as vases, shall be placed on the apparatus.

**ACHTUNG**

- Blockieren Sie keine Belüftungsschlitze oder -bohrungen. (Wenn die Belüftungsöffnungen oder -löcher durch eine Zeitung oder ein Tuch etc. blockiert werden, kann die entstehende Hitze nicht abgeführt werden.)
- Stellen Sie keine offenen Flammen, beispielsweise angezündete Kerzen, auf das Gerät.
- Wenn Sie Batterien entsorgen, denken Sie an den Umweltschutz. Batterien müssen entsprechend den geltenden örtlichen Vorschriften oder Gesetzen entsorgt werden.
- Setzen Sie dieses Gerät auf keinen Fall Regen, Feuchtigkeit oder Flüssigkeitsspritzern aus. Es dürfen auch keine mit Flüssigkeit gefüllten Objekte, z. B. Vasen, auf das Gerät gestellt werden.

**ATTENTION**

- Ne bloquez pas les orifices ou les trous de ventilation. (Si les orifices ou les trous de ventilation sont bloqués par un journal un tissu, etc., la chaleur peut ne pas être évacuée correctement de l'appareil.)
- Ne placez aucune source de flamme nue, telle qu'une bougie, sur l'appareil.
- Lors de la mise au rebut des piles, veuillez prendre en considération les problèmes de l'environnement et suivre strictement les règles et les lois locales sur la mise au rebut des piles.
- N'exposez pas cet appareil à la pluie, à l'humidité, à un égouttement ou à des éclaboussures et ne placez pas des objets remplis de liquide, tels qu'un vase, sur l'appareil.

**VOORZICHTIG**

- Zorg dat u de ventilatieopeningen en -gaten niet afsluit. (Als de ventilatieopeningen en -gaten worden afgesloten door bijvoorbeeld papier of een doek, kan er hitte in het apparaat worden opgebouwd.)
- Zet geen bronnen met open vuur, zoals brandende kaarsen, op het apparaat.
- Wees milieubewust en gooi lege batterijen niet bij het huishoudelijk afval. Lege batterijen dient u in te leveren met het KCA of bij een innamepunt voor batterijen.
- Stel dit apparaat niet bloot aan regen, vocht, drupwater of spatwater en plaats geen enkel voorwerp waarin zich een vloeistof bevindt, zoals een vaas, op het apparaat.

**PRECAUCIÓN**

- No obstruya las rendijas o los orificios de ventilación. (Si las rendijas o los orificios de ventilación quedan tapados con un periódico, un trozo de tela, etc., no se podrá disipar el calor).
- No ponga sobre el aparato ninguna llama al descubierto, como velas encendidas.
- Cuando tenga que descartar las pilas, tenga en cuenta los problemas ambientales y observe estrictamente los reglamentos o las leyes locales sobre disposición de las pilas.
- No exponga este aparato a la lluvia, humedad, goteos o salpicaduras. Tampoco ponga recipientes conteniendo líquidos, como floreros, encima del aparato.

**ATTENZIONE**

- Evitare di ostruire le aperture o i fori di ventilazione con giornali, indumenti etc., in quanto s'impedirebbe al calore di fuoriuscire.
- Non collocare fiamme libere (es. candele accese) sull'apparecchio.
- Le pile devono essere smaltite nel rispetto dell'ambiente, attenendosi ai regolamenti locali in materia.
- Non esporre l'apparecchio a pioggia, umidità, gocciolamenti e spruzzi d'acqua ed evitare di sovrapporvi oggetti contenenti liquidi (vasi etc.).

**IMPORTANT FOR LASER PRODUCTS / WICHTIGER HINWEIS FÜR LASER-PRODUKTE / IMPORTANT POUR LES PRODUITS LASER / BELANGRIJKE INFORMATIE VOOR LASERPRODUKTEN / IMPORTANTE PARA PRODUCTOS LASER / IMPORTANTE PER I PRODOTTI LASER**

**REPRODUCTION OF LABELS / ANBRINGUNGSORTE FÜR LABELS / REPRODUCTION DES ETIQUETTES / VERLARING VAN DE LABELS / REPRODUCCIÓN DE ETIQUETAS / RIPRODUZIONE DI ETICHETTE**

- |   |  |
|---|--|
| ① CLASSIFICATION LABEL, PLACED ON EXTERIOR SURFACE              | ② WARNING LABEL, PLACED INSIDE THE UNIT                        |
| ① KLASSIFIKATIONSETIKETT AUF DER AUßENSEITE                     | ② WARNETIKETT IM GERÄTEINNEREN                                 |
| ① ÉTIQUETTE DE CLASSIFICATION, PLACÉE SUR LA SURFACE EXTÉRIEURE | ② ETIQUETTE D'AVERTISSEMENT PLACÉE À L'INTERIEUR DE L'APPAREIL |
| ① CLASSIFICATIELABEL, OP DE ACHTERZIJDE VAN HET APPARAAT        | ② WAARSCHUWINGSLABEL, IN HET APPARAAT                          |
| ① ETIQUETA DE CLASIFICACIÓN, PEGADA EN LA SUPERFICIE EXTERIOR   | ② ETIQUETA DE AVISO, SITUADA EN EL INTERIOR DE LA UNIDAD       |
| ① ETICHETTA DI CLASSIFICAZIONE, SITUATA                         | ② ETICHETTA DI AVVERTENZA, AFFISSA ALL'INTERNO DELL'UNITÀ      |



CAUTION -	INVISIBLE LASER RADIATION WHEN OPEN AND INTERLOCK DEFEATED. AVOID DIRECT EXPOSURE TO BEAM.
VORSICHT !	UNSIICHTBARE LASERSTRAHLUNG TRITTS AUS, WENN DECKEL GEÖFFNET UND WENN SICHERHEITVERRIEGLUNG ÜBERBRÜCKT IST. NICHT DEM STRAHL AUSSETZEN!
VARNING -	OSYNLIG LASERSTRÅLNING NÄR DENNA DEL ÄR ÖPPNAD OCH SPÄRR ÄR URKOPPLAD STRÅLEN ÄR FARLIG.
ADVARSEL -	USYNLIG LASERSTRÅLING VED ÅBNING NÄR SIKKERHEDSAFBRIDDERE ER UDE AF FUNKTION. UNDGÅ UDSÆTTELSE FOR STRÅLING.

- |   |  |
|---|--|
| <ol style="list-style-type: none"><li>1. CLASS 1 LASER PRODUCT</li><li>2. <b>CAUTION:</b> Invisible laser radiation when open and interlock failed or defeated. Avoid direct exposure to beam.</li><li>3. <b>CAUTION:</b> Do not open the top cover. There are no user serviceable parts inside the Unit; leave all servicing to qualified service personnel.</li></ol>   | <ol style="list-style-type: none"><li>1. PRODUCTO LÁSER DE CLASE 1</li><li>2. <b>PELIGRO:</b> Radiación láser visible cuando se abra un sistema de bloqueo defectuoso o averiado. Evitar la exposición directa al haz.</li><li>3. <b>PRECAUCIÓN:</b> No abrir la tapa superior. No hay piezas reparables por el usuario en el interior de la unidad; deje todo mantenimiento o reparación al personal técnico cualificado.</li></ol>   |
| <ol style="list-style-type: none"><li>1. LASER-PRODUKT DER KLASSE 1</li><li>2. <b>GEFAHR:</b> Sichtbare Laserstrahlung bei Öffnung und fehlerhafter oder beschädigter Sperre. Direkten Kontakt mit dem Strahl vermeiden!</li><li>3. <b>ACHTUNG:</b> Das Gehäuse nicht öffnen. Das Gerät enthält keinerlei Teile, die vom Benutzer gewartet werden können. Überlassen Sie Wartungsarbeiten bitte qualifizierten Kundendienst-Fachleuten.</li></ol> | <ol style="list-style-type: none"><li>1. CLASSE 1, PRODOTTI LASER</li><li>2. <b>PERICOLO:</b> radiazioni laser visibili quando l'apparecchio è aperto e il dispositivo di bloccaggio è guasto o è stato sbloccato. Evitare l'esposizione diretta al raggio.</li><li>3. <b>ATTENZIONE:</b> non aprire il coperchio superiore. Nessun utente deve sostituire o riparare le parti interne di questo apparecchio; per eventuali riparazioni, rivolgersi a tecnici qualificati.</li></ol> |
| <ol style="list-style-type: none"><li>1. PRODUIT LASER CLASSE 1</li><li>2. <b>ATTENTION:</b> Radiation laser visible quand l'appareil est ouvert ou que le verrouillage est en panne ou désactivé. Éviter une exposition directe au rayon.</li><li>3. <b>ATTENTION:</b> Ne pas ouvrir le couvercle du dessus. Il n'y a aucune pièce utilisable à l'intérieur. Laisser à un personnel qualifié le soin de réparer votre appareil.</li></ol>        |  |
| <ol style="list-style-type: none"><li>1. KLAS 1 LASERPRODUKT</li><li>2. <b>GEVAARLIJK:</b> Zichtbaar laserstraling wanneer open en de beveiliging faalt of uitgeschakeld is. Voorkom het direkt blootstaan aan de straal.</li><li>3. <b>VOORZICHTIG:</b> De bovenkap niet openen. Binnenin het toestel bevinden zich geen door de gebruiker te repareren onderdelen: laat onderhoud over aan bekwam vakpersoneel.</li></ol>                       |  |

## CONTENTS

HANDLING PRECAUTIONS .....	1	PLAYING COMPACT DISCS .....	8
POWER SUPPLY .....	2	RADIO RECEPTION .....	12
NAMES OF PARTS AND CONTROLS .....	3	CASSETTE OPERATIONS .....	14
REMOTE CONTROL UNIT .....	4	MAINTENANCE .....	16
TURNING THE UNIT ON AND OFF .....	6	TROUBLESHOOTING .....	17
SETTING THE CLOCK .....	6	SPECIFICATIONS .....	18
ADJUSTING THE SOUND .....	7		

## HANDLING PRECAUTIONS

- **When not in use**  
When not using the unit for an extended period of time, disconnect the AC power cord from the AC outlet.
- **AC power cord**
  - Do not handle the power cord with wet hands.
  - When unplugging the power cord from the wall outlet, always grasp and pull the plug, not the cord.
  - Do not modify the power cord in any manner. Do not bend it sharply or twist it.
  - Consult your dealer when damage, disconnection or contact failure is found with the power cord.
  - In case of lightning, unplug the AC power cord.
- **Do not disassemble the unit.**
- **Foreign objects and liquid**
  - Do not insert any metallic objects into the unit.
  - If water or some liquid gets inside the unit, unplug the power cord from the outlet and consult your dealer.
- **Avoid installing the unit in the following places:**
  - Where the temperature may become excessively high or low; the recommended temperature range is between 5°C and 35°C.
  - Where subject to vibrations.
  - Where it is excessively humid, such as in a bathroom.
  - In a badly ventilated place.
  - Near strong magnetic fields.
- **Do not use the unit in direct sunlight or leave it in a closed automobile, etc.**  
The unit might be exposed to high temperatures above 40°C.
- **Ventilation**  
Do not block the ventilation holes of the unit; otherwise heat cannot escape from the unit.
- **CD pickup lens**  
Do not leave the disc compartment cover open; otherwise the CD pickup lens might be contaminated with dust. Do not touch the lens with fingers.
- **Condensation**  
Moisture may form on the CD pickup lens when:
  - A heater has just been switched on in the room where the unit is used.
  - The unit is in a place with smoke or high humidity.
  - The unit has just moved from a cold place to a warm room.
 If the unit has condensation inside, it may not function correctly. Should this occur, turn on the unit and wait one or two hours before use.
- **Do not place magnetic objects near the speakers.**  
Since the speakers contain magnets inside, do not place cassette tapes or magnetic cards nearby as recorded data could be erased.
- **Keep the unit away from a TV.**  
Do not place the unit near a TV or avoid using the unit when the TV is turned on; otherwise the TV picture could be distorted.
- **Carrying handle**
  - Do not raise or lower the carrying handle with the telescopic antenna extended, to avoid damage to the antenna.
  - Position the carrying handle so that it does not interfere with operation.

## POWER SUPPLY

### Operation on household AC

- 1 Connect the supplied AC power cord to the AC IN  $\sim$  jack on the rear panel of the unit.
- 2 Plug the AC power cord into an AC power outlet.

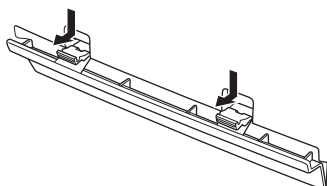
#### Cautions

- Use only the JVC power cord provided with this unit to avoid malfunction or damage to the unit.
- Even when you turn off the unit by pressing the STANDBY/ON  $\odot/\text{I}$  button, a very small current continues to flow. To save power and for safety when not using the unit for an extended period of time, disconnect the power cord from the household AC outlet.

### Operation on batteries

#### Installing batteries

- 1 Open the battery compartment cover by pressing down the two tabs.



- 2 Install eight R20P (SUM-1)/D (13F) batteries. Insert the batteries with  $\oplus$  and  $\ominus$  positioned correctly referring to the drawing above the battery compartment.
- 3 Replace the cover.

### Battery replacement

When the tape speed or output sound level decreases, or CD playback becomes intermittent, replace all batteries with fresh ones.

### For better battery usage

- When making an important recording, use of new batteries (preferably alkaline batteries with a longer service life) is recommended to avoid any possible failure.
- To prevent the power from being accidentally turned on, remove the batteries when carrying the unit by hand or in the trunk of a car, thus avoiding wasteful battery consumption.
- Continuous operation of the unit causes the battery power to be consumed quicker than non-continuous operation.
- Operation of the unit in a cold place causes the battery power to be consumed more quickly than in a warm place.

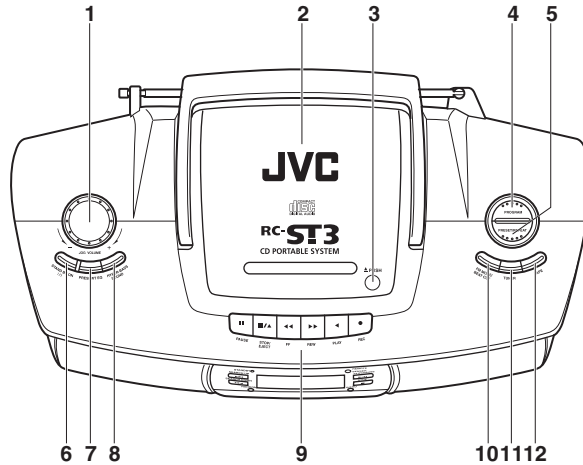
#### Cautions

**If batteries are used incorrectly, it may result in electrolyte leakage or they may explode.**

- Make sure that the batteries are installed with the positive  $\oplus$  and negative  $\ominus$  terminals positioned correctly.
- Do not mix new and old batteries together, or mix different types of batteries.
- Do not try to recharge non-rechargeable batteries.
- Remove the batteries when the unit is not to be used for an extended period of time.
- Remove the batteries when operating the unit on the household AC; though the power supply is automatically switched from the batteries to the household AC when the AC power cord is connected.
- If chemicals leaking from batteries come in contact with your skin, wash them off immediately with water. If chemicals leak on the surface of the unit, clean the unit completely.

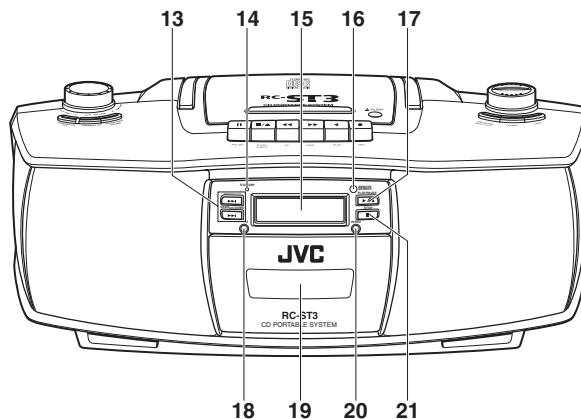
## NAMES OF PARTS AND CONTROLS

### Top



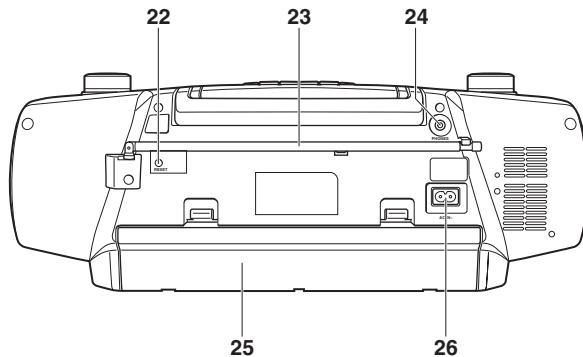
- |   |  |
|---|--|
| <p>1 JOG VOLUME control</p> <p>2 Disc compartment</p> <p>3 ▲ PUSH</p> <p>4 PROGRAM button</p> <p>5 PRESET/REPEAT button</p> <p>6 STANDBY/ON <math>\text{⏻}</math>/I button</p> <p>7 PRESET EQ button</p> <p>8 HYPER-BASS SOUND button</p> | <p>9 Cassette operation buttons</p> <p>▬▬ PAUSE button</p> <p>■/▲ STOP/EJECT button</p> <p>◀◀ FF button</p> <p>▶▶ REW button</p> <p>▶ PLAY button</p> <p>● REC button</p> <p>10 FM MODE/BEAT CUT button</p> <p>11 TUNER button</p> <p>12 TAPE button</p> |
|---|--|

### Front



- |  |   |
|--|---|
| <p>13 ▶▶ SEARCH UP and ◀◀ SEARCH DOWN buttons</p> <p>14 STANDBY indicator</p> <p>15 Display window</p> <p>16 REMOTE SENSOR</p> | <p>17 ▶/▬▬ PLAY/PAUSE button</p> <p>18 RANDOM button</p> <p>19 Cassette holder</p> <p>20 INTRO button</p> <p>21 ■ STOP button</p> |
|--|---|

## Rear



22 RESET key

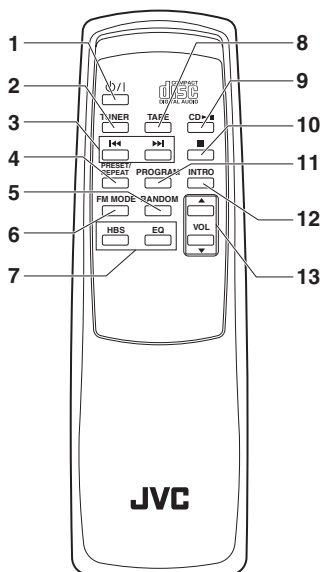
23 FM telescopic antenna

24 PHONES jack

25 Battery compartment

26 AC IN  $\sim$  jack

## REMOTE CONTROL UNIT



1  $\mathcal{O}/I$  button

2 TUNER button

3  $\leftarrow$  and  $\rightarrow$  buttons

4 PRESET/REPEAT button

5 RANDOM button

6 FM MODE button

7 Sound control buttons

HBS button

EQ button

8 TAPE button

9 CD  $\blacktriangleright$ /II button

10  $\blacksquare$  button

11 PROGRAM button

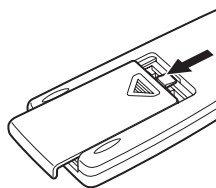
12 INTRO button

13 VOL  $\blacktriangle$  and VOL  $\blacktriangledown$  buttons

---

## Installing batteries

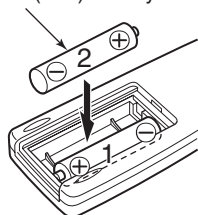
### 1 Remove the battery compartment cover.



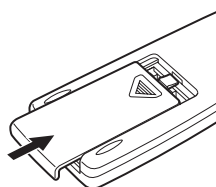
### 2 Insert two R03 (UM4)/AAA (24F) batteries.

Insert the  $\ominus$  ends first. Make sure that the  $\oplus$  and  $\ominus$  terminals are positioned correctly.

R03 (UM4)/AAA (24F) battery



### 3 Replace the cover.



---

## Battery replacement

The maximum operating distance between the remote control unit and the REMOTE SENSOR section on the main unit is approximately 7 meters.

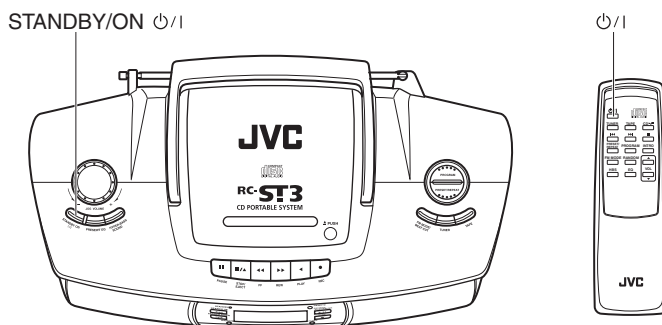
When this operating range decreases or operations with the remote control unit become unstable, replace both batteries with new ones.

---

## Notes on using the remote control unit

- Point the top of the remote control unit toward the REMOTE SENSOR section as directly as possible. The distance operable from the main unit decreases if you point the remote control unit at an angle.
- Do not expose the REMOTE SENSOR section to strong lighting or direct sunlight.
- Make sure that there are no obstacles between the remote control unit and the REMOTE SENSOR section.

## TURNING THE UNIT ON AND OFF



### To turn on the unit

Press **STANDBY/ON**  $\text{\textcircled{I}}$  (or  $\text{\textcircled{I}}$  on the remote control unit).

The **STANDBY** indicator goes off. The unit turns on ready to play the source selected when the unit was last turned off.

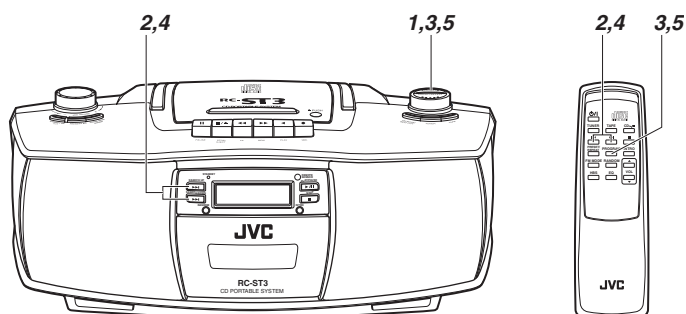
### To turn off the unit

Press **STANDBY/ON**  $\text{\textcircled{I}}$  (or  $\text{\textcircled{I}}$  on the remote control unit) again.

The **STANDBY** indicator lights up in red and the unit enters the standby mode.

## SETTING THE CLOCK

The clock is displayed when the unit is in the standby mode.



### When the unit is turned off

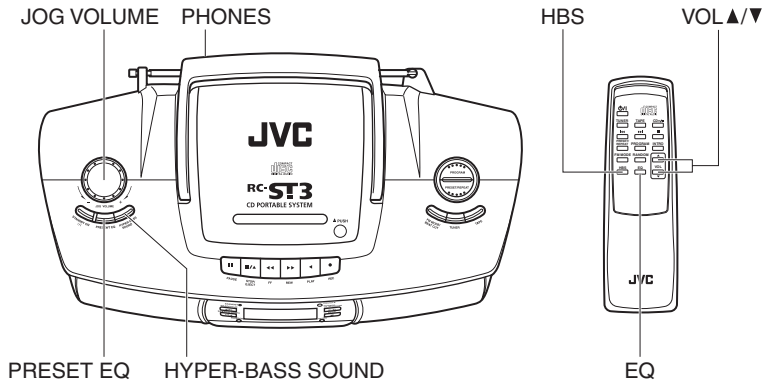
- 1** Press and hold **PROGRAM** on the main unit until the hour indication starts flashing.
- 2** Press  $\text{\textcircled{L}}$  or  $\text{\textcircled{R}}$  to set the hour.
- 3** Press and hold **PROGRAM** until the minute indication starts flashing.
- 4** Press  $\text{\textcircled{L}}$  or  $\text{\textcircled{R}}$  to set the minute.
- 5** Press and hold **PROGRAM** until the clock starts functioning.

### Notes

- In step 1, you can press the **PROGRAM** button only on the main unit, not on the remote control unit.
- If the unit is disconnected from the power source for a certain period of time, the clock setting will be lost. In this case, reset the clock again.
- The clock may gain or lose one to two minutes per month.



## ADJUSTING THE SOUND



### Volume adjustment

#### To increase the volume

Turn **JOG VOLUME** clockwise (or press **VOL ▲** on the remote control unit).

#### To decrease the volume

Turn **JOG VOLUME** counterclockwise (or press **VOL ▼** on the remote control unit).

#### Caution

Do not turn off the unit with the volume set to an extremely high level; otherwise a sudden blast of sound might be produced damaging your hearing and/or the speakers, when you turn on the unit next time or start playing another source.

### Listening through headphones

#### Connect a pair of headphones to the PHONES jack.

Use commercially available 3.5-mm stereo mini headphones (16 Ω to 32 Ω).

No sound comes out of the speakers when headphones are connected.

#### Cautions

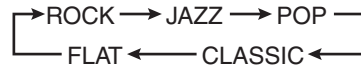
- Turn down the volume before connecting headphones and keep the volume level low; as listening at high volumes could damage your hearing.
- Do not drive while listening through headphones.

### Changing the EQ (equalizer) setting

The unit has several preset EQ (equalizer) settings so that you can select one that most matches the type of music being played.

#### Press **PRESET EQ** (or **EQ** on the remote control unit) repeatedly.

Each time you press the button, the EQ setting changes as shown below.



### Reinforcing the bass sound

You can enjoy powerful bass sound by turning on the Hyper-Bass Sound effect.

#### Press **HYPER-BASS SOUND** (or **HBS** on the remote control unit).

When the Hyper-Bass Sound effect is turned on, the HBS indicator lights up in the display window.

#### To turn off the effect

Press the same button again so that the HBS indicator goes off.

## PLAYING COMPACT DISCS

### Playable discs

The unit can play audio CDs (8 cm and 12 cm) with the following mark.



The unit can also play CD-R and CD-RW discs recorded in music CD format.

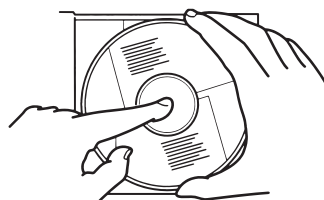
### Notes on CD-R and CD-RW discs

- User-edited CD-R (Recordable) and CD-RW (Rewritable) discs can be played only if they are already finalized.
- Some CD-R and CD-RW discs may not be played on the unit depending on the disc characteristics or recording conditions.
- Before playing CD-R or CD-RW discs, read their instructions and cautions carefully.
- Some CD-R and CD-RW discs may not be played on the unit because of damage or stain on them, or if the CD pickup lens is dirty.
- CD-RW discs may require a longer readout time (due to the fact that the reflectance of CD-RW discs is lower than that of regular CDs).

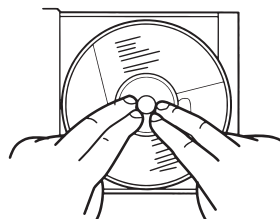
### Notes on handling discs

The following care should be taken to keep discs in good condition, since dirty, damaged or warped discs could lead to sound deterioration and damage the unit.

- Do not touch the reflective recorded surface.
- Do not stick or write anything on both surfaces.
- Do not bend discs.
- Do not expose discs to direct sunlight, high temperatures from a heater, etc., high humidity, or dust.
- After using a disc be sure to put it back in its case.
- To remove a disc from its storage case, press the center and lift the disc out.



- When replacing a disc in its case, press the center part to secure the disc.



- Clean off any dust, dirt or fingerprints on discs with a soft, dry cloth, wiping from the center to edge. Never use thinner, benzene, record cleaner or antistatic spray.

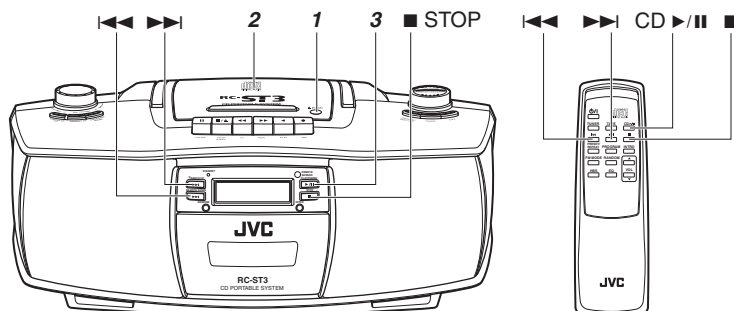


Correct



Incorrect

## Basic operations



**1** Press **▲ PUSH** to open the disc compartment cover.

**2** Load a disc with the label side facing up and close the cover.

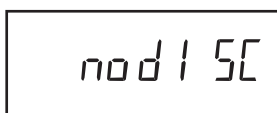
**3** Press **▶/|| PLAY/PAUSE** (or **CD ▶/||** on the remote control unit) to start playback.

During playback, the current track number and the elapsed playing time of the track are displayed.



### Notes

- The following indication is displayed when the unit cannot read the disc information. Check if the disc is dirty or scratched, or the disc is loaded upside down.



- Skipping of sound may occur if a strong shock is applied to the unit or the unit is subject to vibrations. If this happens, stop playback (or at least lower the volume), and replace the unit in a secure place.

### To stop playback

Press **■ STOP** (or **■** on the remote control unit).

The total playing time and total number of tracks of the disc are displayed in the CD stop mode.

### Caution

Never open the disc compartment unless the unit is in the stop mode. When removing a disc from the disc compartment, make sure that the disc has completely stopped rotating.

### To pause playback

Press **▶/|| PLAY/PAUSE** (or **CD ▶/||** on the remote control unit).

To resume playback, press the button again.

### Selecting a desired track before playback

**1** In the CD stop mode, press **◀◀** or **▶▶** repeatedly until the desired track number is displayed.

**2** Press **▶/|| PLAY/PAUSE** (or **CD ▶/||** on the remote control unit) to start playback.

### Skipping tracks

Press **◀◀** or **▶▶** during playback.

- To skip to the beginning of the next track: press **▶▶**.
- To skip back to the beginning of the track currently being played: press **◀◀**.
- To skip back to the beginning of the previous track: press **◀◀** twice in rapid succession.

### Search

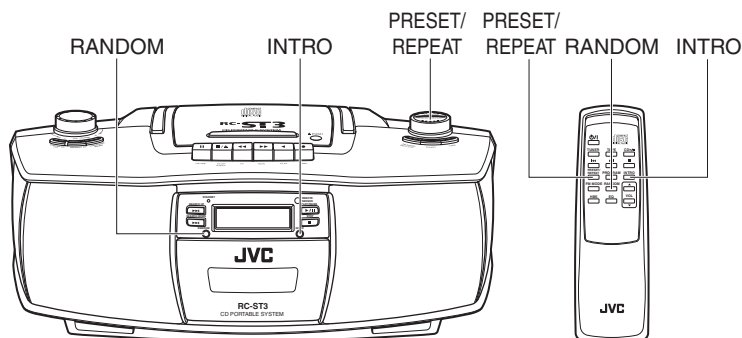
You can locate a desired position on the disc quickly by fast-forward or reverse search.

Press and hold **◀◀** or **▶▶** during playback.

- To search in the forward direction: **▶▶**
- To search in the reverse direction: **◀◀**

Release the button when you find the desired position. Playback continues from the selected position.

## Various playback operations



### Repeat playback

**Press PRESET/REPEAT before or during playback.**

Each time you press the button, the repeat mode changes as shown below.

- A single track is played repeatedly.  
(“REPEAT” flashes in the display window.)
- ↓
- All the tracks are played repeatedly.  
(“REPEAT” lights up steadily.)
- ↓
- Repeat playback is canceled.  
(“REPEAT” disappears from the display window.)

### Random playback

**Press RANDOM before or during playback.**

The RANDOM indicator lights up in the display window, and the tracks are played in random order.

Random playback ends when all the tracks are played once.

### To cancel random playback

Press RANDOM again so that the RANDOM indicator goes off.

### Introductory playback

You can play the introductory portion (10 seconds) of each track successively.

**Press INTRO before or during playback.**

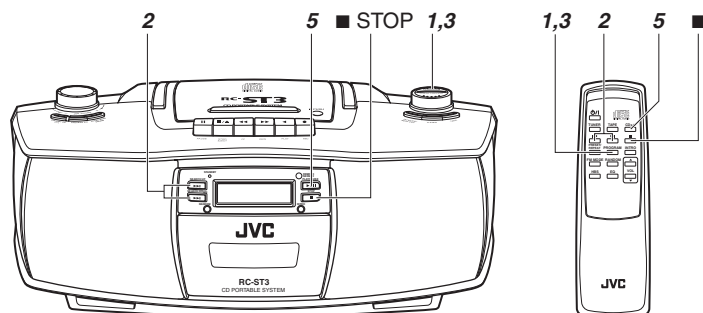
The INTRO indicator lights up in the display window, and introductory playback starts.

### To cancel introductory playback

Press INTRO again so that the INTRO indicator goes off.

## Programmed playback

You can program up to 16 tracks to be played in your desired order.



### 1 Press PROGRAM in the CD stop mode.



### 2 Press ◀◀ or ▶▶ to select a desired track to be programmed.



### 3 Press PROGRAM.

The selected track is registered on the program.

### 4 Repeat steps 2 and 3 to program other tracks.

### 5 Press ▶/|| PLAY/PAUSE (or CD ▶/|| on the remote control unit).

Programmed playback starts.

### Note

The unit does not store more than 16 programmed tracks in its memory. If you select more than 16 tracks, programmed tracks are overwritten from the first track.

### To check the order of tracks on the program

Press PROGRAM repeatedly in the CD stop mode.

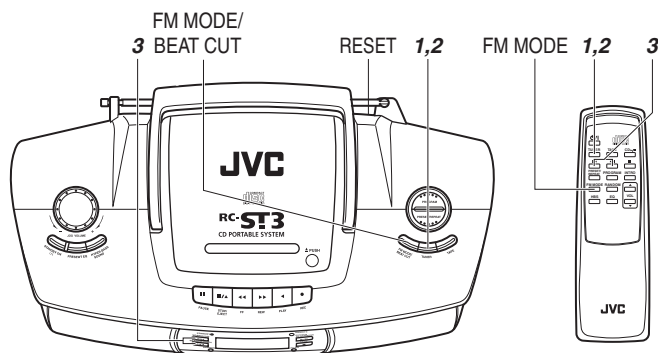
### To clear the program

Press ■ STOP (or ■ on the remote control unit) in the CD stop mode.

The program is also canceled when you open the disc compartment cover.

## RADIO RECEPTION

### Tuning to a station



- 1** Press **TUNER** to set to the tuner mode.
- 2** Press **TUNER** to select the band, FM or AM (MW).
- 3** Press and hold **◀◀** or **▶▶** for about one second.

The unit starts searching and stops when a station of sufficient signal strength is tuned in.

If you press **◀◀** or **▶▶** briefly and repeatedly, the frequency changes step by step.

### Changing the FM reception mode

When an FM stereo broadcast is hard to receive or noisy, reception may improve by changing to monaural reception mode.

**Press FM MODE/BEAT CUT (or FM MODE on the remote control unit).**

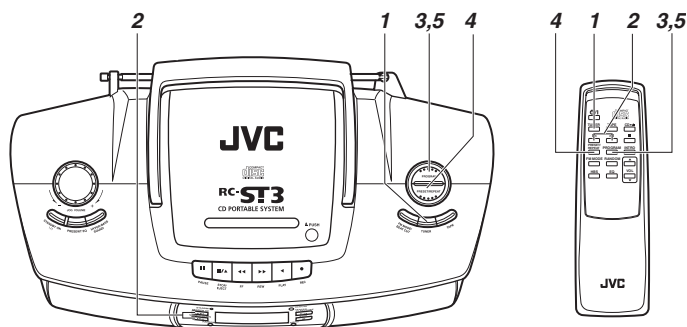
The MONO indicator lights up in the display window.

### To restore stereo reception

Press the button again so that the MONO indicator goes off.

## Presetting stations

You can preset 20 FM and 12 AM stations.



**1** Press **TUNER** to select the band, FM or AM (MW).

**2** Tune to a station you want to preset using **◀◀** or **▶▶**.

**3** Press **PROGRAM**.



**4** Press **PRESET/REPEAT** repeatedly to select a preset number.

The selected preset number flashes.



**5** Press **PROGRAM**.

The station with the preset number is stored in the memory.

**6** Repeat steps 2 to 5 to preset other stations, allocating a different preset number to each of them.

### Note

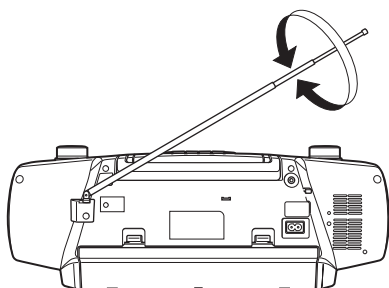
If the unit is unplugged or a power failure occurs, the preset stations will be erased from the memory. If this happens, you need to preset the stations again.

### Tuning to a preset station

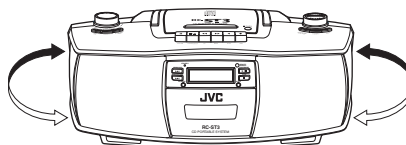
After selecting the band, FM or AM (MW), press **PRESET/REPEAT** repeatedly until the desired preset number appears.

## Adjusting the antennas

**FM**



**AM**

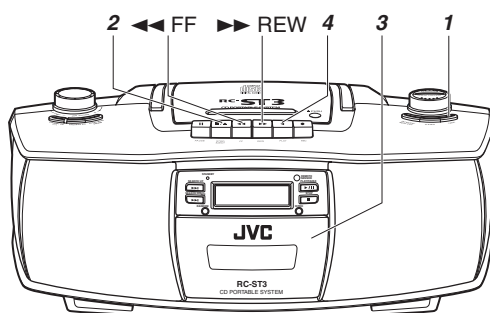


### Note

Place the unit away from the TV or turn off the TV, when listening to an AM station, to prevent the built-in ferrite core antenna picking up interference from the TV.

## CASSETTE OPERATIONS

### Playing back a cassette



- 1 Press **TAPE** to set to the tape mode.
- 2 Press **■/▲ STOP/EJECT** to open the cassette holder.
- 3 Load a cassette with the open side up and the playback side facing out, then close the cassette holder.
- 4 Press **◀ PLAY** to start playback.

### To stop playback

Press **■/▲ STOP/EJECT**.

Playback automatically stops when the tape reaches the end.

### To fast-wind a tape

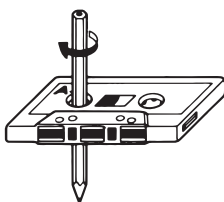
Press **◀◀ FF** or **▶▶ REW**.

- To fast-wind in the forward direction: **◀◀ FF**
- To fast-wind in the reverse direction: **▶▶ REW**

When the tape reaches the end, press **■/▲ STOP/EJECT** to release the **◀◀ FF** or **▶▶ REW** button.

### Notes on cassette tapes

- It may be unlawful to record or play back copyrighted material without the consent of the copyright owner.
- Use only normal tapes of type I for playback and recording.
- Use of tapes longer than 120 minutes is not recommended, since characteristic deterioration may occur and these tapes easily jam in the pinch roller and capstan.
- Loose tape can cause trouble. If you notice some slack in the tape, tighten it up using a pencil.



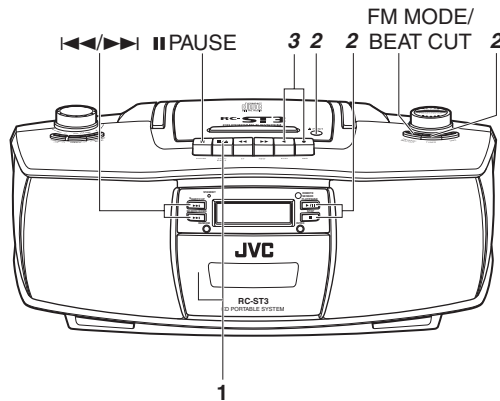
### To prevent accidental erasure

Remove the tab(s) with a screwdriver. When you want to erase the recording or re-record on the tape, reseal the slot(s) with adhesive tape.





## Recording on a cassette



The following marks are used to distinguish the two recording sources in the procedure below.

**TUNER:** When recording from the radio

**CD:** When recording from a CD

### 1 Load a cassette.

### 2 Prepare the recording source.

**TUNER:** Set to the tuner mode and tune to a desired station (see pages 12 and 13).

**CD:** Load a CD and set to the CD stop mode (see page 9). You can specify a desired track to start recording by pressing ◀◀ or ▶▶.

### 3 Press ● REC to start recording.

The ◀PLAY button is also depressed with the ●REC button.

**CD:** The CD player starts playback when the cassette deck enters the recording mode (synchronized recording).

## To stop recording

### Press ■/▲ STOP/EJECT.

Recording also stops when the tape reaches the end.

**CD:** The CD player stops playback when the tape stops running at its end or by your pressing ■/▲ STOP/EJECT.

When the CD player reaches the end of the disc and stops playback earlier, the tape continues running. In this case, press ■/▲ STOP/EJECT to stop the tape.

## To start recording at the exact moment

**1** In step 3 above, press ◻ PAUSE before pressing ● REC.

**2** Press ◻ PAUSE again to release the tape at the exact moment you want to start recording.

## To remove beats during AM broadcast recording

Press FM MODE/BEAT CUT repeatedly to select the better beat-cut reception mode.

## To erase the recording

You can erase the recording on a tape without overwriting the tape with a new recording.

**1** Set to the CD stop mode with no disc loaded in the unit.

**2** Press ● REC to start erasing.

The ◀PLAY button is also depressed with the ●REC button.

## MAINTENANCE

### Cleaning the cabinet

Wipe it with a soft, dry cloth. Never use benzene or thinner as these could damage the surface finish.

### Cleaning the heads, capstan and pinch roller

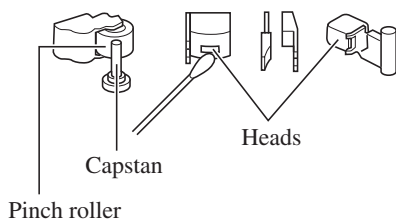
When the tape is running, magnetic powder and dust naturally accumulate on the heads, capstan and pinch roller.

When they become too dirty:

- Sound quality deteriorates.
- The sound output level drops.
- The previous recording is not completely erased.
- Recording is not performed correctly.

To avoid these, clean the heads, capstan and pinch roller every 10 hours of use.

For effective cleaning, use a cleaning kit available at audio stores. Make sure that the cleaning fluid has dried completely before loading a cassette.




#### Note

Do not use thinner or benzene, as these will damage the rubber pinch roller (use of alcohol is permitted).

### Demagnetizing the recording/playback head

If the head becomes magnetized, noise will increase and the sound will deteriorate.

Demagnetize the recording/playback head every 20 to 30 hours of use with a head demagnetizer available at audio stores. When demagnetizing the head, turn off the unit to the standby mode by pressing the STANDBY/ON  button.

#### Caution

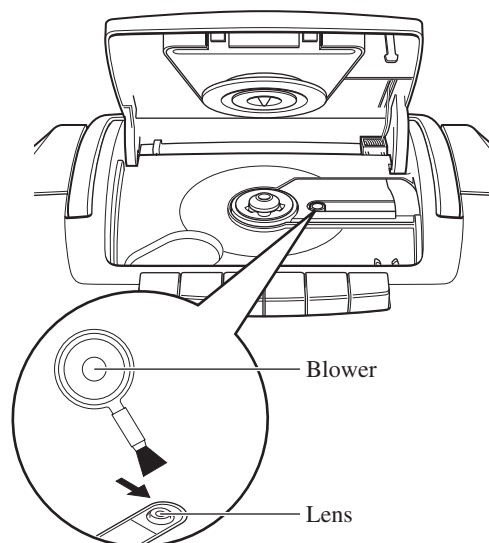
As the erasure head of the unit is of magnetic type, do not demagnetize it.

### Cleaning the CD pickup lens

If the CD pickup lens is dirty, clean the lens to prevent sound deterioration.

Gently wipe off fingerprints, etc. on the lens using a cotton swab.

To blow off dust on the lens, use a blower available at camera shops, etc., as shown below.



## TROUBLESHOOTING

What appears to be trouble is not always serious. Referring to the following, check whether your problem can be solved with a simple operation.

### Power cannot be turned on.

- Is the AC power cord unplugged?

### Remote control does not function.

- Are the batteries in the remote control unit exhausted?
- Is the REMOTE SENSOR section exposed to bright light (direct sunlight, etc.)?

### No sound is heard from the speakers.

- Are headphones connected?

### Playback sound is at a very low level.

- Are the batteries exhausted?
- Is the head of the cassette deck dirty?

### The disc is loaded but does not play.

- Is the disc upside down?
- Is the disc dirty, damaged or warped?
- Is the CD pickup lens dirty?
- Is there moisture condensation on the CD pickup lens? If so, turn on the unit and wait one or two hours until moisture evaporates before use.

### Radio reception is poor and there is much static.

- Is the antenna properly adjusted?

### When the ◀ PLAY button is pressed, the tape does not run.

- Is the || PAUSE button pressed?

### The ● REC button does not function.

- Is a cassette loaded?
- Are the erasure-prevention tabs of the cassette broken off?

### The tape speed is irregular and there are wow and flutter.

- Is the pinch roller or capstan dirty?
- Are the batteries exhausted?

#### How to reset the unit

If normal operations are disabled, reset the unit as follows:

1. Turn off the unit.
2. Press the RESET key with the tip of a small screwdriver or similar tool.
3. Turn on the unit.

The clock setting and preset AM/FM stations will be lost when the RESET key is pressed. You need to set the clock and preset AM/FM stations again.

## SPECIFICATIONS

### Compact disc player

Signal detection system	: Non-contact optical pickup (semiconductor laser)
Number of channels	: 2 channels (stereo)
Frequency response	: 20 Hz - 20 000 Hz
Signal-to-noise ratio	: 90 dB
Wow and flutter	: Less than measurable level

### Tuner

FM frequency range	: 87.50 MHz - 108.00 MHz
AM frequency range	: 522 kHz - 1 629 kHz
Antennas	: Telescopic antenna for FM Ferrite core antenna for AM

### Cassette deck

Track system	: 4-track 2-channel stereo
Motor	: Electronic governor DC motor for capstan
Heads	: Hard Permalloy head for recording/playback Magnetic head for erasure
Frequency response	: 80 Hz - 12 500 Hz
Wow and flutter	: 0.15% (WRMS)
Fast-winding time	: Approx. 120 sec. (C-60 cassette)

### General

Speakers	: 10 cm × 2
Power output	: 2 W per channel, min. RMS, driven into 8 Ω at 1 kHz, with no more than 10% total harmonic distortion (IEC 268-3)
Output terminal	: PHONES × 1, output level 0 mW - 20 mW/32 Ω, matching impedance: 16 Ω - 32 Ω
Power supply	: AC 230 V ~, 50 Hz DC 12 V (batteries R20P (SUM-1)/D (13F) × 8)
Power consumption	: 19 W (operation mode) 3.2 W (standby mode)
Dimensions	: 440 mm (W) × 168 mm (H) × 241 mm (D)
Mass	: Approx. 3.1 kg (without batteries)

### Accessories

AC power cord	× 1
Remote control unit	× 1
Batteries for the remote control unit, R03 (UM-4)/AAA (24F)	× 2

*Design and specifications are subject to change without notice.*



# JVC

VICTOR COMPANY OF JAPAN, LIMITED

# JVC

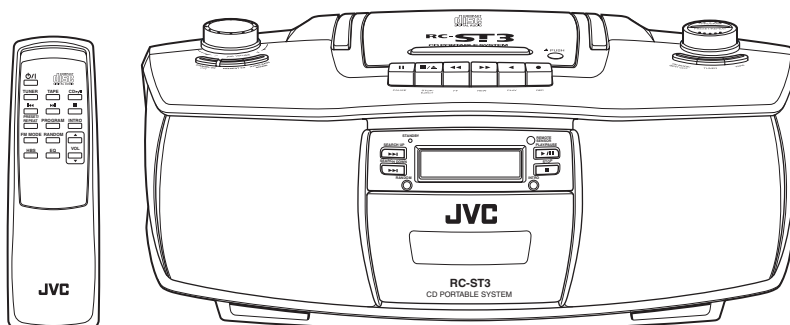
## CD PORTABLE SYSTEM

PORTABELT CD-SYSTEM

KANNETTAVA CD-JÄRJESTELMÄ

CD BÆRBART SYSTEM

# RC-ST3SL



COMPACT  
**disc**  
DIGITAL AUDIO

## INSTRUCTIONS

BRUKSANVISNING

KÄYTTÖOHJE

BRUGSVEJLEDNING

601-610000-050  
LVT1000-006A  
[EN]

# Warnings, Cautions and Others


## Varningar, att observera och övrigt

### Varoitukset, huomautukset, yms


#### Advarsler, forsigtighedsregler og andet

---


#### Caution — STANDBY/ON button!

Disconnect the mains plug to shut the power off completely. The STANDBY/ON  button in any position does not disconnect the mains line. The power can be remote controlled.

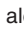
#### Att observera — Nätströmsknapp (STANDBY/ON )!

Drag ut nätströmssladden för att stänga av strömmen helt. Strömbrytaren STANDBY/ON  kopplar ej bort nätströmmen. Nätströmmen kan styras med fjärrkontrollen.

#### Huomautus — STANDBY/ON -näppäin!

Jos haluat katkaista laitteistosta virran kokonaan, irrota sähköpistoke seinäpistorasiasta. Virta on päällä kaikissa virtakytkimen (STANDBY/ON ) asennoissa. Virran voi kytkeä myös kaukosäätimellä.

#### Forsigtig — STRØMAFBRYDER (STANDBY/ON )!

Tag netstikket ud for at afbryde strømtilførslen fuldstændigt. Med STANDBY/ON  Strømafbryderen alene kan man ikke helt afbryde lysnetforbindelsen. Strømtilførslen kan fjernbetjenes.

#### CAUTION

To reduce the risk of electrical shocks, fire, etc.:

1. Do not remove screws, covers or cabinet.
2. Do not expose this appliance to rain or moisture.

#### VIKTIGT

För att minska riskerna för elektriska stötar, brand, etc.:

1. Lossa into på skruvar, lock eller hölje.
2. Utsätt inte enheten för regn eller fukt.

#### VAROITUS

Vältä sähköiskun ja tulipalon vaara:

1. Älä avaa ruuveja tai koteloa.
2. Älä jätä laitetta sateeseen tai kosteaan paikkaan.

#### ADVARSEL

For at reducere faren for elektrisk stød, brand, etc.:

1. Fjern ikke skruer, dæksler eller kabinet.
2. Udsæt ikke dette apparat for regn eller fugt.

---

#### CAUTION:

- Do not block the ventilation openings or holes. (If the ventilation openings or holes are blocked by a newspaper or cloth, etc., the heat may not be able to get out.)
- Do not place any naked flame sources, such as lighted candles, on the apparatus.
- When discarding batteries, environmental problems must be considered and local rules or laws governing the disposal of these batteries must be followed strictly.
- Do not expose this apparatus to rain, moisture, dripping or splashing and that no objects filled with liquids, such as vases, shall be placed on the apparatus.

#### VIKTIGT

- Blockera inte ventilationsöppningarna på apparaten. (Om ventilationsöppningarna blockeras av en tidning, en duk eller liknande kan värme i apparaten eventuellt inte komma ut.)
- Placera ingenting med öppen låga, exempelvis ett tänd ljus, på apparaten.
- Använda batterier måste handhas på ett miljömässigt korrekt sätt och de lagar och förordningar som gäller på platsen för begagnade batterier måste följas noga.
- Undvik att utsätta denna apparat för regn, fukt, droppand eller stänkande vätskor, och ställ ingenting med vatten i på den, exempelvis en vas.

#### VAROITUS

- Tuuletusrakoja tai -aukkoja ei saa tukkia. (Jos tuuletusraot tai -aukot tukitaan sanomalehdellä tai vaatteella yms., lämpö ei mahdollisesti pääse ulos.)
- Laitteen päälle ei saa asettaa avotulen lähteitä, kuten palavia kynttilöitä.
- Paristoja hävitettäessä on huomioitava ympäristöongelmat. Näiden paristojen hävitystä koskevia paikallisia määräyksiä ja lakeja on noudatettava ehdottomasti.
- Tätä laitetta ei saa altistaa sateelle, kosteudelle, veden tippumiselle tai roiskumiselle eikä laitteen päälle saa asettaa nesteellä täytettyjä esineitä, kuten kukkamaljakoita.

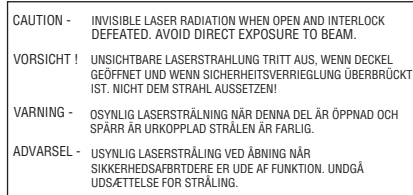
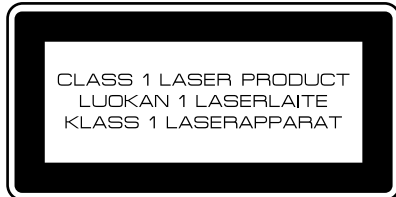
#### ADVARSEL

- Undgå at tilstoppe ventilationsåbningerne. (Hvis de tilstoppes af avispapir, en klud el.lign., vil varmen muligvis ikke kunne komme ud.)
- Undlad at anbringe åben ild (f.eks. tændte stearinlys) oven på apparatet.
- Ved bortskaffelse af batterier bør de miljømæssige konsekvenser tages i betragtning, ligesom de relevante lokale bestemmelser nøje skal overholdes.
- Apparatet må ikke udsættes for regn, fugtighed, dryp eller stænk, ligesom der ikke bør anbringes beholdere med væske, f.eks. vaser, oven på apparatet.

**IMPORTANT FOR LASER PRODUCTS / VIKTIGT BETRÆFFANDE LASERPRODUKTER / TÆRKEITÄ TIETOJA  
LASERLAITTEISTA / VIGTIGT FOR LASERPRODUKTER**

**REPRODUCTION OF LABELS / PLACERING AV ETIKETTER / TARRAT JA NIIDEN SIJAINTI / PLACERING AF  
MÆRKATER**

- |   |  |
|---|--|
| ① CLASSIFICATION LABEL, PLACED ON EXTERIOR SURFACE      | ② WARNING LABEL, PLACED INSIDE THE UNIT      |
| ① KLASSIFIKATIONSETIKETT, PLACERAD PÅ UTSIDAN           | ② VARNINGSSKYLT, INUTI APPARATEN             |
| ① LUOKITUSTARRA, SIJOITETTU ULKOPINNALLE                | ② VAROITUSTARRA, LAITTEE SISÄLLÄ             |
| ① KLASSIFIKATIONS-MÆRKAT, SIDDER UDVENDIGT PÅ APPARATET | ② ADVARSELSMÆRKAT, PLACERET INDENI APPARATET |



1. CLASS 1 LASER PRODUCT
2. **CAUTION:** Invisible laser radiation when open and interlock failed or defeated. Avoid direct exposure to beam.
3. **CAUTION:** Do not open the top cover. There are no user serviceable parts inside the Unit; leave all servicing to qualified service personnel.

1. KLASS 1 LASERPRODUKT
2. **FARA:** Osynlig laserstråling når denna del ä öppen och spärren urkopplad. Utsätt dig ej för strålen.
3. **VIKTIGT:** Öppna inte höljet. Die finns ingenting du kan åtgärda inne i enheten. Överlåt all service till kvalificerad servicepersonal.

1. LUOKAN 1 LASERLAITE
2. **VARO:** Näkymättömän lasersäteilyn vaara, jos turvalukitus ei toimi tai ohitetaan.
3. **HUOM:** Älä avaa laitteen kantta. Sisällä ei ole käyttäjän huollettavia osia. Teetä kaikki huoltotyöt valtuutetussa huollossa.

1. KLASSE 1 LASER PRODUKT
2. **ADVARSEL:** Usynlig laserstråling ved åbning, når sikkerhedsafbryderen er ude af funktion. Undgå udsættelse for stråling.
3. **ADVARSEL:** Åbn ikke dækslet. Der findes ingen dele indeni apparet som brugeren kan reparere. Overlad al service till kvalificeret servicepersonale.



## CONTENTS

HANDLING PRECAUTIONS .....	1	PLAYING COMPACT DISCS .....	8
POWER SUPPLY .....	2	RADIO RECEPTION .....	12
NAMES OF PARTS AND CONTROLS .....	3	CASSETTE OPERATIONS .....	14
REMOTE CONTROL UNIT .....	4	MAINTENANCE .....	16
TURNING THE UNIT ON AND OFF .....	6	TROUBLESHOOTING .....	17
SETTING THE CLOCK .....	6	SPECIFICATIONS .....	18
ADJUSTING THE SOUND .....	7		

## HANDLING PRECAUTIONS

### • When not in use

When not using the unit for an extended period of time, disconnect the AC power cord from the AC outlet.

### • AC power cord

- Do not handle the power cord with wet hands.
- When unplugging the power cord from the wall outlet, always grasp and pull the plug, not the cord.
- Do not modify the power cord in any manner. Do not bend it sharply or twist it.
- Consult your dealer when damage, disconnection or contact failure is found with the power cord.
- In case of lightning, unplug the AC power cord.

### • Do not disassemble the unit.

### • Foreign objects and liquid

- Do not insert any metallic objects into the unit.
- If water or some liquid gets inside the unit, unplug the power cord from the outlet and consult your dealer.

### • Avoid installing the unit in the following places:

- Where the temperature may become excessively high or low; the recommended temperature range is between 5°C and 35°C.
- Where subject to vibrations.
- Where it is excessively humid, such as in a bathroom.
- In a badly ventilated place.
- Near strong magnetic fields.

### • Do not use the unit in direct sunlight or leave it in a closed automobile, etc.

The unit might be exposed to high temperatures above 40°C.

### • Ventilation

Do not block the ventilation holes of the unit; otherwise heat cannot escape from the unit.

### • CD pickup lens

Do not leave the disc compartment cover open; otherwise the CD pickup lens might be contaminated with dust. Do not touch the lens with fingers.

### • Condensation

Moisture may form on the CD pickup lens when:

- A heater has just been switched on in the room where the unit is used.
- The unit is in a place with smoke or high humidity.
- The unit has just moved from a cold place to a warm room.

If the unit has condensation inside, it may not function correctly. Should this occur, turn on the unit and wait one or two hours before use.

### • Do not place magnetic objects near the speakers.

Since the speakers contain magnets inside, do not place cassette tapes or magnetic cards nearby as recorded data could be erased.

### • Keep the unit away from a TV.

Do not place the unit near a TV or avoid using the unit when the TV is turned on; otherwise the TV picture could be distorted.

### • Carrying handle

- Do not raise or lower the carrying handle with the telescopic antenna extended, to avoid damage to the antenna.
- Position the carrying handle so that it does not interfere with operation.

## POWER SUPPLY

### Operation on household AC

- 1 Connect the supplied AC power cord to the AC IN  $\sim$  jack on the rear panel of the unit.
- 2 Plug the AC power cord into an AC power outlet.

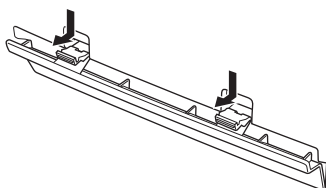
#### Cautions

- Use only the JVC power cord provided with this unit to avoid malfunction or damage to the unit.
- Even when you turn off the unit by pressing the STANDBY/ON  $\odot/\text{I}$  button, a very small current continues to flow. To save power and for safety when not using the unit for an extended period of time, disconnect the power cord from the household AC outlet.

### Operation on batteries

#### Installing batteries

- 1 Open the battery compartment cover by pressing down the two tabs.



- 2 Install eight R20P (SUM-1)/D (13F) batteries. Insert the batteries with  $\oplus$  and  $\ominus$  positioned correctly referring to the drawing above the battery compartment.
- 3 Replace the cover.

### Battery replacement

When the tape speed or output sound level decreases, or CD playback becomes intermittent, replace all batteries with fresh ones.

#### For better battery usage

- When making an important recording, use of new batteries (preferably alkaline batteries with a longer service life) is recommended to avoid any possible failure.
- To prevent the power from being accidentally turned on, remove the batteries when carrying the unit by hand or in the trunk of a car, thus avoiding wasteful battery consumption.
- Continuous operation of the unit causes the battery power to be consumed quicker than non-continuous operation.
- Operation of the unit in a cold place causes the battery power to be consumed more quickly than in a warm place.

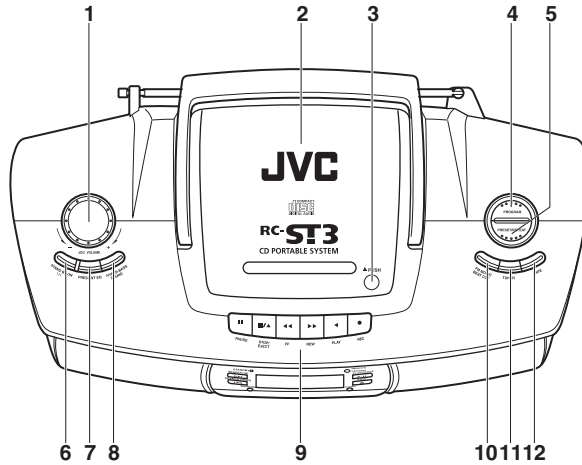
#### Cautions

**If batteries are used incorrectly, it may result in electrolyte leakage or they may explode.**

- Make sure that the batteries are installed with the positive  $\oplus$  and negative  $\ominus$  terminals positioned correctly.
- Do not mix new and old batteries together, or mix different types of batteries.
- Do not try to recharge non-rechargeable batteries.
- Remove the batteries when the unit is not to be used for an extended period of time.
- Remove the batteries when operating the unit on the household AC; though the power supply is automatically switched from the batteries to the household AC when the AC power cord is connected.
- If chemicals leaking from batteries come in contact with your skin, wash them off immediately with water. If chemicals leak on the surface of the unit, clean the unit completely.

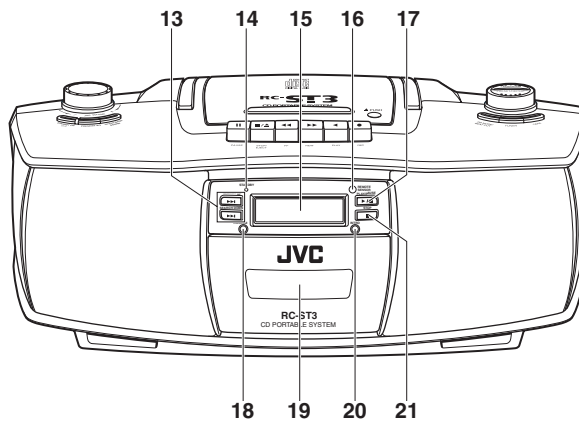
## NAMES OF PARTS AND CONTROLS

### Top



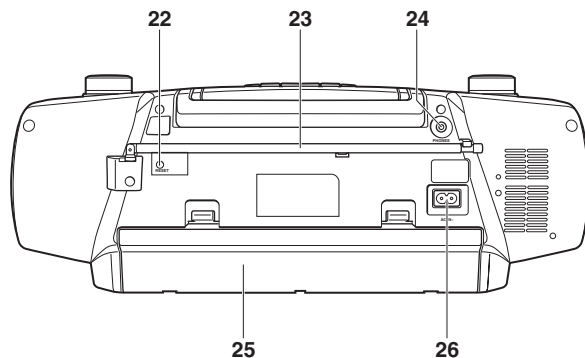
- |  |   |
|--|---|
| <p>1 JOG VOLUME control</p> <p>2 Disc compartment</p> <p>3 ▲ PUSH</p> <p>4 PROGRAM button</p> <p>5 PRESET/REPEAT button</p> <p>6 STANDBY/ON <math>\odot</math>/I button</p> <p>7 PRESET EQ button</p> <p>8 HYPER-BASS SOUND button</p> | <p>9 <b>Cassette operation buttons</b></p> <p>▬▬ PAUSE button</p> <p>■/▲ STOP/EJECT button</p> <p>◀◀ FF button</p> <p>▶▶ REW button</p> <p>◀ PLAY button</p> <p>● REC button</p> <p>10 FM MODE/BEAT CUT button</p> <p>11 TUNER button</p> <p>12 TAPE button</p> |
|--|---|

### Front



- |  |   |
|--|---|
| <p>13 ▶▶ SEARCH UP and ◀◀ SEARCH DOWN buttons</p> <p>14 STANDBY indicator</p> <p>15 Display window</p> <p>16 REMOTE SENSOR</p> | <p>17 ▶/▬▬ PLAY/PAUSE button</p> <p>18 RANDOM button</p> <p>19 Cassette holder</p> <p>20 INTRO button</p> <p>21 ■ STOP button</p> |
|--|---|

## Rear



22 RESET key

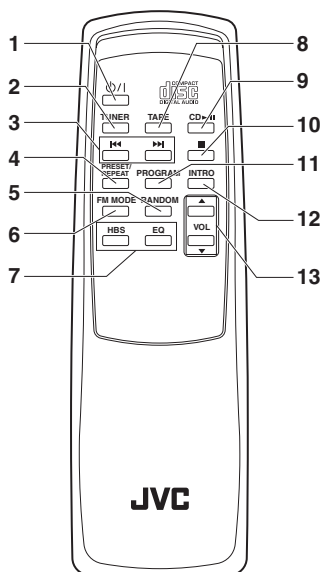
23 FM telescopic antenna

24 PHONES jack

25 Battery compartment

26 AC IN  $\sim$  jack

## REMOTE CONTROL UNIT



1  $\mathcal{O}$ /I button

2 TUNER button

3  $\leftarrow$  and  $\rightarrow$  buttons

4 PRESET/REPEAT button

5 RANDOM button

6 FM MODE button

7 Sound control buttons  
HBS button  
EQ button

8 TAPE button

9 CD  $\triangleright$ /II button

10  $\blacksquare$  button

11 PROGRAM button

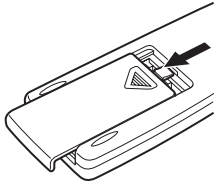
12 INTRO button

13 VOL  $\blacktriangle$  and VOL  $\blacktriangledown$  buttons

---

## Installing batteries

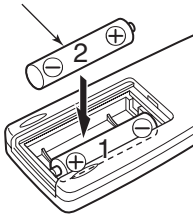
### 1 Remove the battery compartment cover.



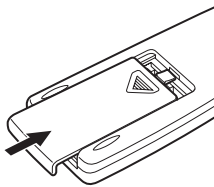
### 2 Insert two R03 (UM4)/AAA (24F) batteries.

Insert the  $\ominus$  ends first. Make sure that the  $\oplus$  and  $\ominus$  terminals are positioned correctly.

R03 (UM4)/AAA (24F) battery



### 3 Replace the cover.



---

## Notes on using the remote control unit

- Point the top of the remote control unit toward the REMOTE SENSOR section as directly as possible. The distance operable from the main unit decreases if you point the remote control unit at an angle.
- Do not expose the REMOTE SENSOR section to strong lighting or direct sunlight.
- Make sure that there are no obstacles between the remote control unit and the REMOTE SENSOR section.

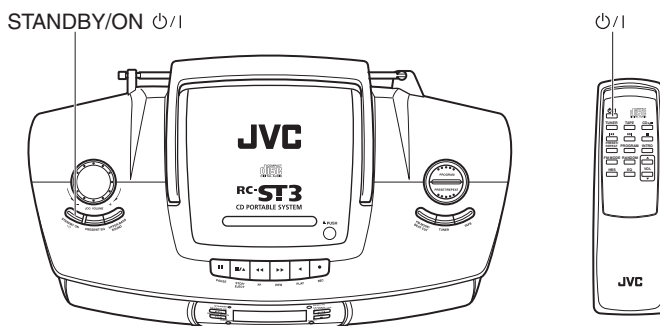
---

## Battery replacement

The maximum operating distance between the remote control unit and the REMOTE SENSOR section on the main unit is approximately 7 meters.

When this operating range decreases or operations with the remote control unit become unstable, replace both batteries with new ones.

## TURNING THE UNIT ON AND OFF



### To turn on the unit

Press **STANDBY/ON** (or on the remote control unit).

The **STANDBY** indicator goes off. The unit turns on ready to play the source selected when the unit was last turned off.

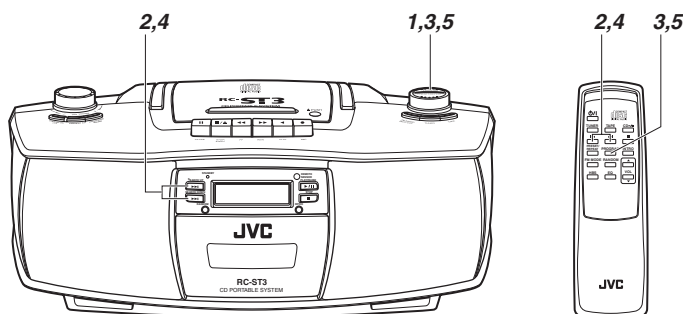
### To turn off the unit

Press **STANDBY/ON** (or on the remote control unit) again.

The **STANDBY** indicator lights up in red and the unit enters the standby mode.

## SETTING THE CLOCK

The clock is displayed when the unit is in the standby mode.



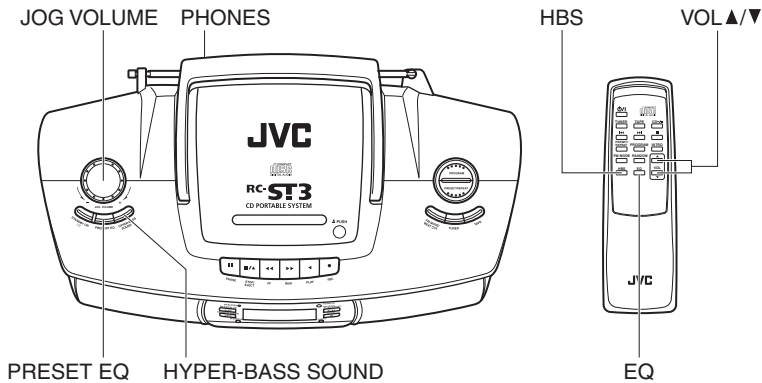
### When the unit is turned off

- 1** Press and hold **PROGRAM** on the main unit until the hour indication starts flashing.
- 2** Press **◀◀** or **▶▶** to set the hour.
- 3** Press and hold **PROGRAM** until the minute indication starts flashing.
- 4** Press **◀◀** or **▶▶** to set the minute.
- 5** Press and hold **PROGRAM** until the clock starts functioning.

### Notes

- In step 1, you can press the **PROGRAM** button only on the main unit, not on the remote control unit.
- If the unit is disconnected from the power source for a certain period of time, the clock setting will be lost. In this case, reset the clock again.
- The clock may gain or lose one to two minutes per month.

## ADJUSTING THE SOUND



### Volume adjustment

#### To increase the volume

Turn **JOG VOLUME** clockwise (or press **VOL ▲** on the remote control unit).

#### To decrease the volume

Turn **JOG VOLUME** counterclockwise (or press **VOL ▼** on the remote control unit).

#### Caution

Do not turn off the unit with the volume set to an extremely high level; otherwise a sudden blast of sound might be produced damaging your hearing and/or the speakers, when you turn on the unit next time or start playing another source.

### Listening through headphones

Connect a pair of headphones to the **PHONES** jack.

Use commercially available 3.5-mm stereo mini headphones (16  $\Omega$  to 32  $\Omega$ ).

No sound comes out of the speakers when headphones are connected.

#### Cautions

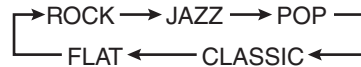
- Turn down the volume before connecting headphones and keep the volume level low; as listening at high volumes could damage your hearing.
- Do not drive while listening through headphones.

### Changing the EQ (equalizer) setting

The unit has several preset EQ (equalizer) settings so that you can select one that most matches the type of music being played.

Press **PRESET EQ** (or **EQ** on the remote control unit) repeatedly.

Each time you press the button, the EQ setting changes as shown below.



### Reinforcing the bass sound

You can enjoy powerful bass sound by turning on the Hyper-Bass Sound effect.

Press **HYPER-BASS SOUND** (or **HBS** on the remote control unit).

When the Hyper-Bass Sound effect is turned on, the HBS indicator lights up in the display window.

#### To turn off the effect

Press the same button again so that the HBS indicator goes off.

## PLAYING COMPACT DISCS

### Playable discs

The unit can play audio CDs (8 cm and 12 cm) with the following mark.



The unit can also play CD-R and CD-RW discs recorded in music CD format.

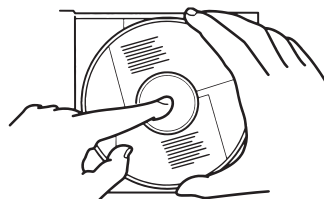
### Notes on CD-R and CD-RW discs

- User-edited CD-R (Recordable) and CD-RW (Rewritable) discs can be played only if they are already finalized.
- Some CD-R and CD-RW discs may not be played on the unit depending on the disc characteristics or recording conditions.
- Before playing CD-R or CD-RW discs, read their instructions and cautions carefully.
- Some CD-R and CD-RW discs may not be played on the unit because of damage or stain on them, or if the CD pickup lens is dirty.
- CD-RW discs may require a longer readout time (due to the fact that the reflectance of CD-RW discs is lower than that of regular CDs).

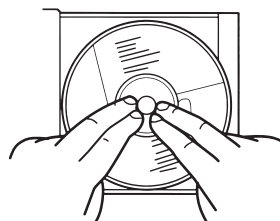
### Notes on handling discs

The following care should be taken to keep discs in good condition, since dirty, damaged or warped discs could lead to sound deterioration and damage the unit.

- Do not touch the reflective recorded surface.
- Do not stick or write anything on both surfaces.
- Do not bend discs.
- Do not expose discs to direct sunlight, high temperatures from a heater, etc., high humidity, or dust.
- After using a disc be sure to put it back in its case.
- To remove a disc from its storage case, press the center and lift the disc out.



- When replacing a disc in its case, press the center part to secure the disc.



- Clean off any dust, dirt or fingerprints on discs with a soft, dry cloth, wiping from the center to edge. Never use thinner, benzene, record cleaner or antistatic spray.



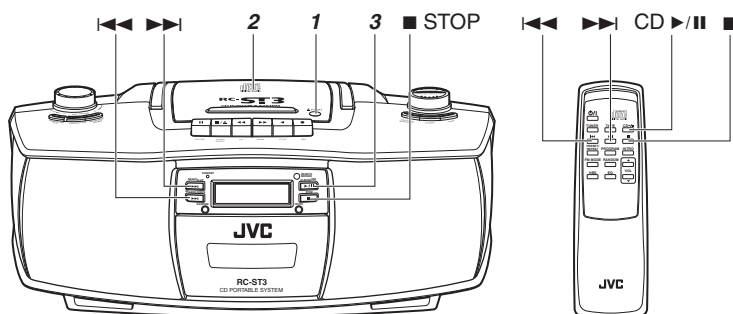
Correct



Incorrect



## Basic operations



**1** Press **▲ PUSH** to open the disc compartment cover.

**2** Load a disc with the label side facing up and close the cover.

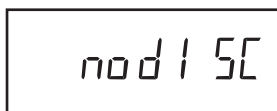
**3** Press **▶/|| PLAY/PAUSE** (or **CD ▶/||** on the remote control unit) to start playback.

During playback, the current track number and the elapsed playing time of the track are displayed.



### Notes

- The following indication is displayed when the unit cannot read the disc information. Check if the disc is dirty or scratched, or the disc is loaded upside down.



- Skipping of sound may occur if a strong shock is applied to the unit or the unit is subject to vibrations. If this happens, stop playback (or at least lower the volume), and replace the unit in a secure place.

### To stop playback

Press **■ STOP** (or **■** on the remote control unit).

The total playing time and total number of tracks of the disc are displayed in the CD stop mode.

### Caution

Never open the disc compartment unless the unit is in the stop mode. When removing a disc from the disc compartment, make sure that the disc has completely stopped rotating.

### To pause playback

Press **▶/|| PLAY/PAUSE** (or **CD ▶/||** on the remote control unit).

To resume playback, press the button again.

### Selecting a desired track before playback

**1** In the CD stop mode, press **◀◀** or **▶▶** repeatedly until the desired track number is displayed.

**2** Press **▶/|| PLAY/PAUSE** (or **CD ▶/||** on the remote control unit) to start playback.

### Skipping tracks

Press **◀◀** or **▶▶** during playback.

- To skip to the beginning of the next track: press **▶▶**.
- To skip back to the beginning of the track currently being played: press **◀◀**.
- To skip back to the beginning of the previous track: press **◀◀** twice in rapid succession.

### Search

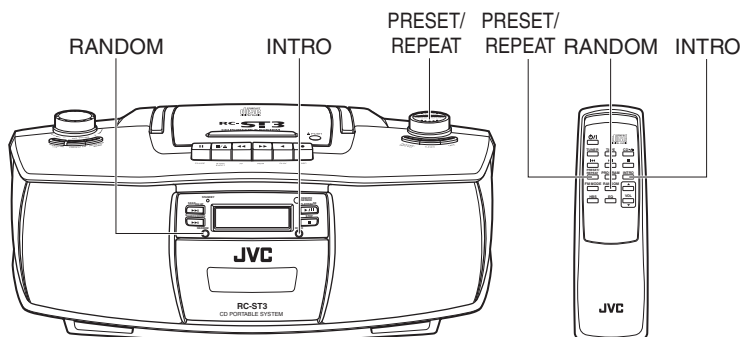
You can locate a desired position on the disc quickly by fast-forward or reverse search.

Press and hold **◀◀** or **▶▶** during playback.

- To search in the forward direction: **▶▶▶**
- To search in the reverse direction: **◀◀◀**

Release the button when you find the desired position. Playback continues from the selected position.

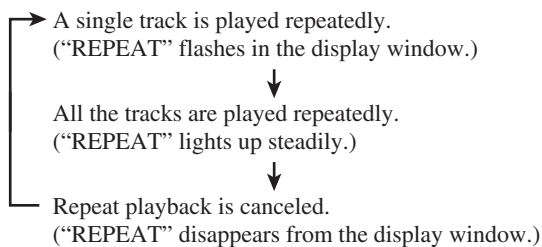
## Various playback operations



### Repeat playback

**Press PRESET/REPEAT before or during playback.**

Each time you press the button, the repeat mode changes as shown below.



### Introductory playback

You can play the introductory portion (10 seconds) of each track successively.

**Press INTRO before or during playback.**

The INTRO indicator lights up in the display window, and introductory playback starts.

### To cancel introductory playback

Press INTRO again so that the INTRO indicator goes off.

### Random playback

**Press RANDOM before or during playback.**

The RANDOM indicator lights up in the display window, and the tracks are played in random order.

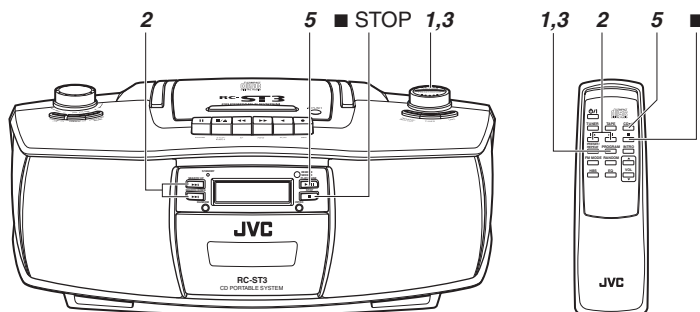
Random playback ends when all the tracks are played once.

### To cancel random playback

Press RANDOM again so that the RANDOM indicator goes off.

## Programmed playback

You can program up to 16 tracks to be played in your desired order.



### 1 Press PROGRAM in the CD stop mode.



### 2 Press ◀◀ or ▶▶ to select a desired track to be programmed.



### 3 Press PROGRAM.

The selected track is registered on the program.

### 4 Repeat steps 2 and 3 to program other tracks.

### 5 Press ▶/II PLAY/PAUSE (or CD ▶/II on the remote control unit).

Programmed playback starts.

### Note

The unit does not store more than 16 programmed tracks in its memory. If you select more than 16 tracks, programmed tracks are overwritten from the first track.

### To check the order of tracks on the program

Press PROGRAM repeatedly in the CD stop mode.

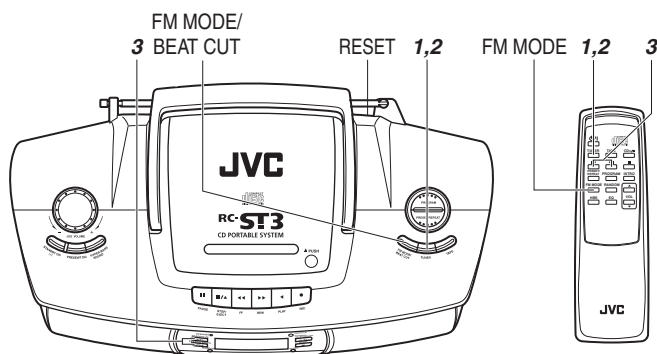
### To clear the program

Press ■ STOP (or ■ on the remote control unit) in the CD stop mode.

The program is also canceled when you open the disc compartment cover.

## RADIO RECEPTION

### Tuning to a station



**1** Press **TUNER** to set to the tuner mode.

**2** Press **TUNER** to select the band, FM or AM (MW).

**3** Press and hold **◀◀** or **▶▶** for about one second.

The unit starts searching and stops when a station of sufficient signal strength is tuned in.

If you press **◀◀** or **▶▶** briefly and repeatedly, the frequency changes step by step.

### Changing the FM reception mode

When an FM stereo broadcast is hard to receive or noisy, reception may improve by changing to monaural reception mode.

**Press FM MODE/BEAT CUT (or FM MODE on the remote control unit).**

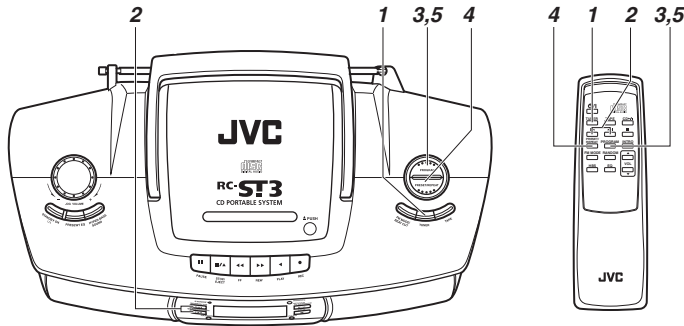
The MONO indicator lights up in the display window.

### To restore stereo reception

Press the button again so that the MONO indicator goes off.

## Presetting stations

You can preset 20 FM and 12 AM stations.



**1** Press **TUNER** to select the band, FM or AM (MW).

**2** Tune to a station you want to preset using **◀◀** or **▶▶**.

**3** Press **PROGRAM**.



**4** Press **PRESET/REPEAT** repeatedly to select a preset number.

The selected preset number flashes.



**5** Press **PROGRAM**.

The station with the preset number is stored in the memory.

**6** Repeat steps 2 to 5 to preset other stations, allocating a different preset number to each of them.

### Note

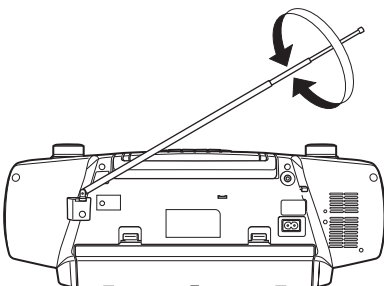
If the unit is unplugged or a power failure occurs, the preset stations will be erased from the memory. If this happens, you need to preset the stations again.

### Tuning to a preset station

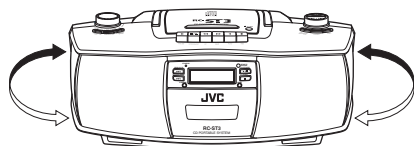
After selecting the band, FM or AM (MW), press **PRESET/REPEAT** repeatedly until the desired preset number appears.

## Adjusting the antennas

### FM



### AM

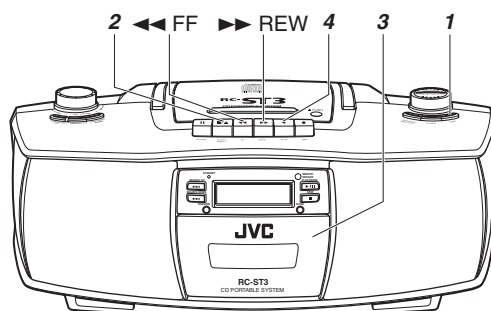


### Note

Place the unit away from the TV or turn off the TV, when listening to an AM station, to prevent the built-in ferrite core antenna picking up interference from the TV.

## CASSETTE OPERATIONS

### Playing back a cassette



- 1 Press **TAPE** to set to the tape mode.
- 2 Press **■/▲ STOP/EJECT** to open the cassette holder.
- 3 Load a cassette with the open side up and the playback side facing out, then close the cassette holder.
- 4 Press **◀ PLAY** to start playback.

### To stop playback

Press **■/▲ STOP/EJECT**.

Playback automatically stops when the tape reaches the end.

### To fast-wind a tape

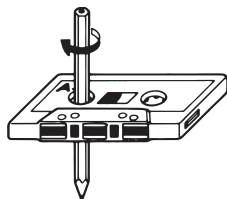
Press **◀◀ FF** or **▶▶ REW**.

- To fast-wind in the forward direction: **◀◀ FF**
- To fast-wind in the reverse direction: **▶▶ REW**

When the tape reaches the end, press **■/▲ STOP/EJECT** to release the **◀◀ FF** or **▶▶ REW** button.

### Notes on cassette tapes

- It may be unlawful to record or play back copyrighted material without the consent of the copyright owner.
- Use only normal tapes of type I for playback and recording.
- Use of tapes longer than 120 minutes is not recommended, since characteristic deterioration may occur and these tapes easily jam in the pinch roller and capstan.
- Loose tape can cause trouble. If you notice some slack in the tape, tighten it up using a pencil.

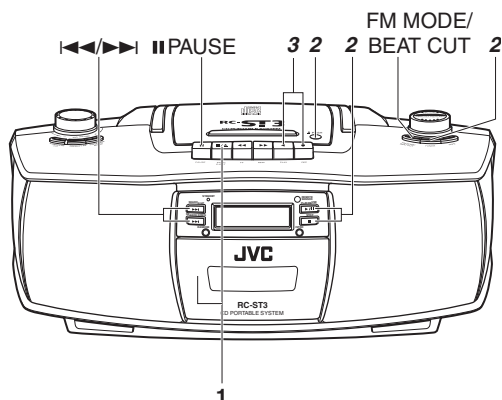


### To prevent accidental erasure

Remove the tab(s) with a screwdriver. When you want to erase the recording or re-record on the tape, reseal the slot(s) with adhesive tape.



## Recording on a cassette



The following marks are used to distinguish the two recording sources in the procedure below.

**TUNER**: When recording from the radio

**CD**: When recording from a CD

### 1 Load a cassette.

### 2 Prepare the recording source.

**TUNER**: Set to the tuner mode and tune to a desired station (see pages 12 and 13).

**CD**: Load a CD and set to the CD stop mode (see page 9). You can specify a desired track to start recording by pressing ◀◀ or ▶▶.

### 3 Press ● REC to start recording.

The ◀ PLAY button is also depressed with the ● REC button.

**CD**: The CD player starts playback when the cassette deck enters the recording mode (synchronized recording).

## To stop recording

### Press ■/▲ STOP/EJECT.

Recording also stops when the tape reaches the end.

**CD**: The CD player stops playback when the tape stops running at its end or by your pressing ■/▲ STOP/EJECT.

When the CD player reaches the end of the disc and stops playback earlier, the tape continues running. In this case, press ■/▲ STOP/EJECT to stop the tape.

## To start recording at the exact moment

**1** In step 3 above, press || PAUSE before pressing ● REC.

**2** Press || PAUSE again to release the tape at the exact moment you want to start recording.

## To remove beats during AM broadcast recording

Press FM MODE/BEAT CUT repeatedly to select the better beat-cut reception mode.

## To erase the recording

You can erase the recording on a tape without overwriting the tape with a new recording.

**1** Set to the CD stop mode with no disc loaded in the unit.

**2** Press ● REC to start erasing.

The ◀ PLAY button is also depressed with the ● REC button.

## MAINTENANCE

### Cleaning the cabinet

Wipe it with a soft, dry cloth. Never use benzene or thinner as these could damage the surface finish.

### Cleaning the heads, capstan and pinch roller

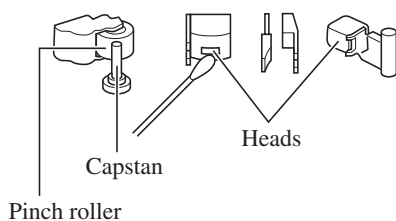
When the tape is running, magnetic powder and dust naturally accumulate on the heads, capstan and pinch roller.

When they become too dirty:

- Sound quality deteriorates.
- The sound output level drops.
- The previous recording is not completely erased.
- Recording is not performed correctly.

To avoid these, clean the heads, capstan and pinch roller every 10 hours of use.

For effective cleaning, use a cleaning kit available at audio stores. Make sure that the cleaning fluid has dried completely before loading a cassette.




#### Note

Do not use thinner or benzene, as these will damage the rubber pinch roller (use of alcohol is permitted).

### Demagnetizing the recording/playback head

If the head becomes magnetized, noise will increase and the sound will deteriorate.

Demagnetize the recording/playback head every 20 to 30 hours of use with a head demagnetizer available at audio stores. When demagnetizing the head, turn off the unit to the standby mode by pressing the STANDBY/ON  button.

#### Caution

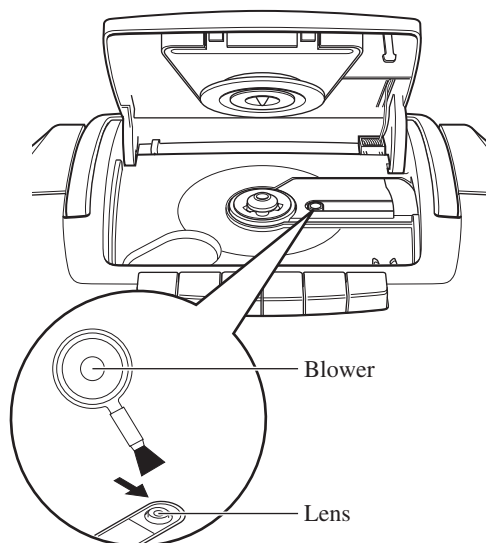
As the erasure head of the unit is of magnetic type, do not demagnetize it.

### Cleaning the CD pickup lens

If the CD pickup lens is dirty, clean the lens to prevent sound deterioration.

Gently wipe off fingerprints, etc. on the lens using a cotton swab.

To blow off dust on the lens, use a blower available at camera shops, etc., as shown below.





## TROUBLESHOOTING

What appears to be trouble is not always serious. Referring to the following, check whether your problem can be solved with a simple operation.

### Power cannot be turned on.

- Is the AC power cord unplugged?

### Remote control does not function.

- Are the batteries in the remote control unit exhausted?
- Is the REMOTE SENSOR section exposed to bright light (direct sunlight, etc.)?

### No sound is heard from the speakers.

- Are headphones connected?

### Playback sound is at a very low level.

- Are the batteries exhausted?
- Is the head of the cassette deck dirty?

### The disc is loaded but does not play.

- Is the disc upside down?
- Is the disc dirty, damaged or warped?
- Is the CD pickup lens dirty?
- Is there moisture condensation on the CD pickup lens? If so, turn on the unit and wait one or two hours until moisture evaporates before use.

### Radio reception is poor and there is much static.

- Is the antenna properly adjusted?

### When the ◀ PLAY button is pressed, the tape does not run.

- Is the ■ PAUSE button pressed?

### The ● REC button does not function.

- Is a cassette loaded?
- Are the erasure-prevention tabs of the cassette broken off?

### The tape speed is irregular and there are wow and flutter.

- Is the pinch roller or capstan dirty?
- Are the batteries exhausted?

#### How to reset the unit

If normal operations are disabled, reset the unit as follows:

1. Turn off the unit.
2. Press the RESET key with the tip of a small screwdriver or similar tool.
3. Turn on the unit.

The clock setting and preset AM/FM stations will be lost when the RESET key is pressed. You need to set the clock and preset AM/FM stations again.

## SPECIFICATIONS

### Compact disc player

Signal detection system	: Non-contact optical pickup (semiconductor laser)
Number of channels	: 2 channels (stereo)
Frequency response	: 20 Hz - 20 000 Hz
Signal-to-noise ratio	: 90 dB
Wow and flutter	: Less than measurable level

### Tuner

FM frequency range	: 87.50 MHz - 108.00 MHz
AM frequency range	: 522 kHz - 1 629 kHz
Antennas	: Telescopic antenna for FM Ferrite core antenna for AM

### Cassette deck

Track system	: 4-track 2-channel stereo
Motor	: Electronic governor DC motor for capstan
Heads	: Hard Permalloy head for recording/playback Magnetic head for erasure
Frequency response	: 80 Hz - 12 500 Hz
Wow and flutter	: 0.15% (WRMS)
Fast-winding time	: Approx. 120 sec. (C-60 cassette)

### General

Speakers	: 10 cm × 2
Power output	: 2 W per channel, min. RMS, driven into 8 Ω at 1 kHz, with no more than 10% total harmonic distortion (IEC 268-3)
Output terminal	: PHONES × 1, output level 0 mW - 20 mW/32 Ω, matching impedance: 16 Ω - 32 Ω
Power supply	: AC 230 V ~, 50 Hz DC 12 V (batteries R20P (SUM-1)/D (13F) × 8)
Power consumption	: 19 W (operation mode) 3.2 W (standby mode)
Dimensions	: 440 mm (W) × 168 mm (H) × 241 mm (D)
Mass	: Approx. 3.1 kg (without batteries)

### Accessories

AC power cord	× 1
Remote control unit	× 1
Batteries for the remote control unit,	
R03 (UM-4)/AAA (24F)	× 2

*Design and specifications are subject to change without notice.*



# JVC

VICTOR COMPANY OF JAPAN, LIMITED



EN, SW, FI, DA



0203NYMBICMTS

© 2003 VICTOR COMPANY OF JAPAN, LIMITED

Download from [www.Somanuals.com](http://www.Somanuals.com). All Manuals Search And Download.



## Free Manuals Download Website

<http://myh66.com>

<http://usermanuals.us>

<http://www.somanuals.com>

<http://www.4manuals.cc>

<http://www.manual-lib.com>

<http://www.404manual.com>

<http://www.luxmanual.com>

<http://aubethermostatmanual.com>

Golf course search by state

<http://golfingnear.com>

Email search by domain

<http://emailbydomain.com>

Auto manuals search

<http://auto.somanuals.com>

TV manuals search

<http://tv.somanuals.com>