



JVC INSTRUCTION MANUAL

FOR ASSEMBLY AND INSTALLATION OF

EF-L1000CG <METAL FIXTURES SUSPENDED FROM CEILING>

LCD Projector Compatible with Installation
 Model Name: LX-D1000 (Body's mass is 4.5 Kg)

For Selling and Installing Stores

- Read this instruction manual carefully before assembly and/or installation. Be sure to carry out the work properly always with safety in mind.
- Do not permit the customers to engaged in assembly and/or installation. Make sure that your customers request you, the professional installers, for assembly and/or installation.
- It is mandatory that you use the provided accessories for assembly and/or installation work. The metal fixtures cannot be used for the LCD (liquid crystal display) projectors and appliances other than those that are designated by our company.
- The total mass of the metal mixtures for the ceiling is 5.5 Kg.

DETAILS TO BE STRICTLY OBSERVED FOR SAFETY

Before assembly and/or installation, be sure to read carefully the "details to be strictly observed for safety."
 The risk and its extent caused by erroneous handling are demarcated as follows:

WARNING	Probability that can result in critical consequences such as death or serious injury in case of erroneous handling.
CAUTION	Probability that can result in injury or damage of houses and/or household effects in case of erroneous handling.

WARNING	
Carry out installation so that a safety rate definitely comes to more than 5 times. Select a strong place where the mass of the LCD projector and the metal fixtures can be held sufficiently. If they are installed at a spot having insufficient strength, the metal fixtures attached to the ceiling can come off and fall, resulting in injury.	Be sure to carry out installation under a ceiling with a horizontal surface. Avoid installation under an inclined or warped ceiling.

CAUTION	
Take necessary measures to prevent any possible swing using wires, etc. Otherwise, temblors and vibrations can result in falls, causing injury.	Pay attention not to allow any children hang onto the fixtures. Otherwise, injury can result.
Be sure to install them at a place where there is no other apparatus such as a fire alarm, etc., or malfunction of appliances and instruments, etc., can result.	

BHU30002-036-001

CHECK AND MAKE SURE

CAUTION: When installing component parts, caution must be exercised not to use any parts except the ones packed with the body.

Check and confirm before assembly and/or installation that the following parts are packed along with the body as accessories:

No.	Names of parts	Quantity
①	Coupling plate	1
②	Supporter for LCD projector	1
③	Assembling bolts (M8 × 25)	4
④	Rotary setscrews [E] (M5 × 10)	2
⑤	Screws [A] (M4 × 12)	2
⑥	Ceiling plate	1
⑦	Inner pole	1
⑧	Inner pole fixing plate	1
⑨	Hexagon socket bolts (M5 × 10)	4
⑩	Collar	1

No.	Names of parts	Quantity
⑪	Hexagon head bolts [C] (M10 × 65)	1
⑫	Nut	1
⑬	Washers (for M10)	2
⑭	Screws [B] (M8 × 14)	2
⑮	Hexagon wrench (for M5)	1
⑯	Hexagon wrench (for M8)	1
⑰	Rotary mini setscrews (M5 × 5)	2
⑱	Hexagon socket bolts (M5 × 16)	4
⑲	Washers (for M5)	4
⑳	Nuts (for M5)	4

PROCEDURES FOR ASSEMBLY AND INSTALLATION (Refer to Fig. 3)

- To begin with, determine the projection range, then the fixing position of the metal fixtures' ceiling plate. (The projection lens center of the ceiling plate is apart about 24 mm from that of the LCD projector. Refer to Fig. 4)
- Install the ceiling plate underneath the ceiling as illustrated in Fig. 3. For the size of the metal fixtures' fixing hole, refer to Fig. 3-1. Use the fixing screw of the ceiling plate larger than M8.
WARNING: Check and make certain that there is a safety rate of more than 5 for the total mass of the metal fixtures including the LCD projector.
- Turn the LCD projector over, and loosen only the angle adjuster located at the position illustrated in the figure. See Fig. 1. (At this time, take the sponge out from between the angle adjuster and the body.)
- Set the body's plate to the LCD projector, and slide it in the direction indicated by the arrow mark. See Fig. 2.
- Insert the 2 screws [A] into the two holes provided at the bottom of the LCD projector, and tighten the angle adjuster. (See Fig. 2 and Fig. 3)
- Set the supporter for the LCD projector from the bottom, tighten the screws [B], and secure the supporter.
- Set the inner pole fixing plate and the inner pole temporarily with 4 hexagon socket bolts (M5 × 10) as illustrated in Fig. 3, and insert the inner pole into the hole of the coupling plate.
- Fix the inner pole fixing plate and the coupling plate with 4 hexagon socket bolts (M5 × 16), and tighten them with 4 nuts (for M4).
- Adjust the holes of the inner pole and the ceiling plate, put on the collar, washer, and nut in the order as shown in Fig. 3, and fasten them with a hexagon bolt [C].
- Make adjustments on the rotating direction of the entire body of the metal fixtures, and then tighten the 4 hexagon socket bolts (M5 × 10) that were temporarily fixed as mentioned in Procedure 7 above.
- Tighten the inner pole using 2 rotary setscrews [E], and furthermore secure the inner pole using 2 rotary mini screws.

Fig. 1
(Bottom view of LCD projector)

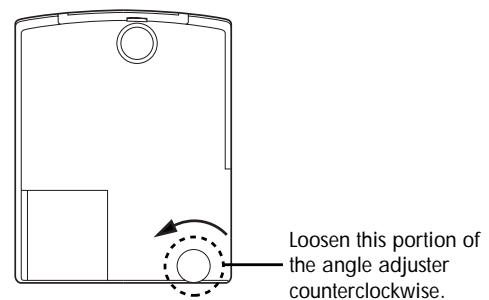
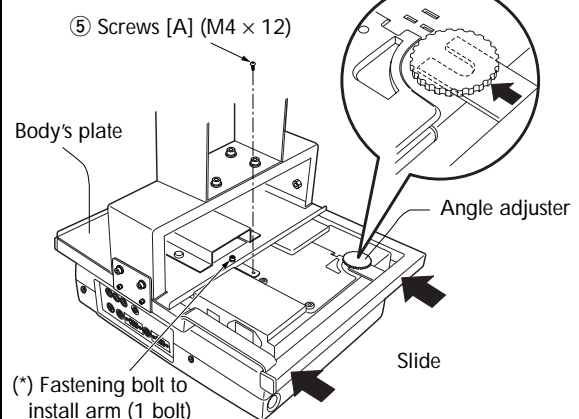


Fig. 2



⚠ WARNING

(*) Part

- : The asterisked fastening bolt to install an arm (1 bolt) is built in to constitute a part of the body's plate.
- : Never remove the above-mentioned bolt under any circumstances since it is absolutely required to ensure safety.

Fig. 3 ASSEMBLY

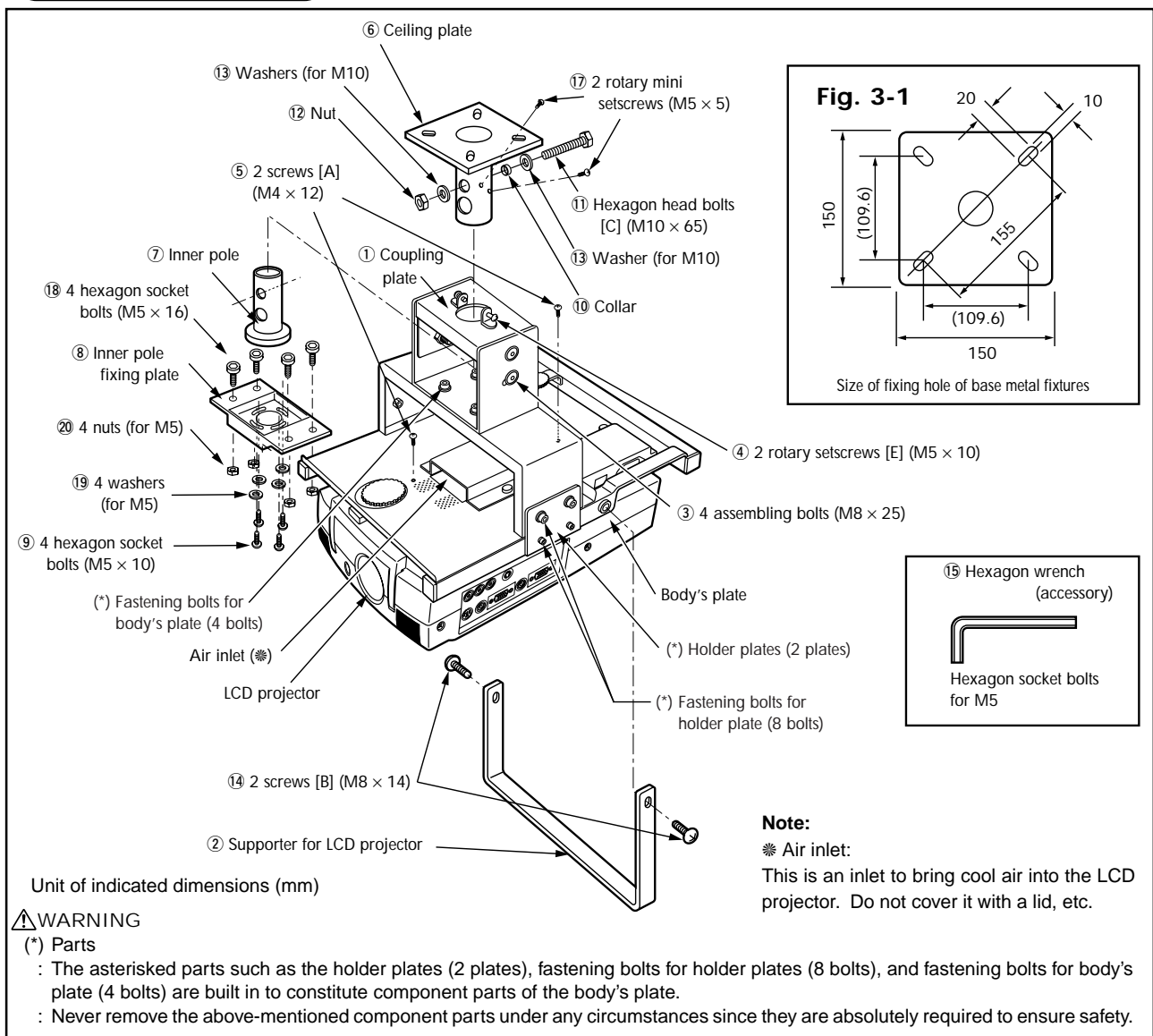
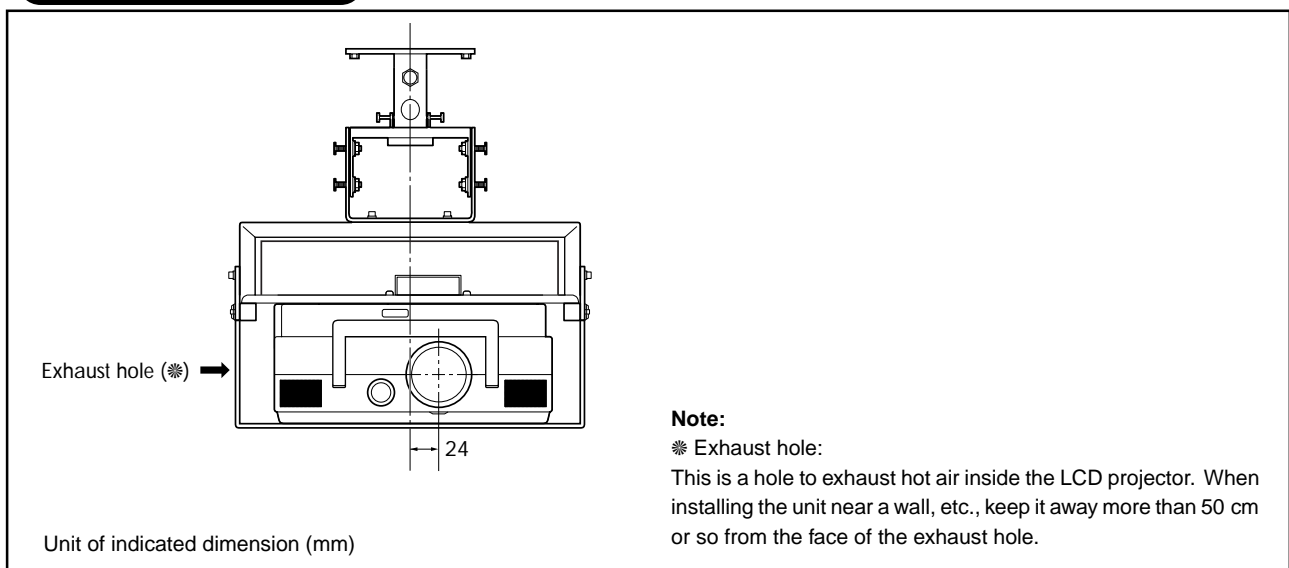


Fig. 4 FRONT VIEW



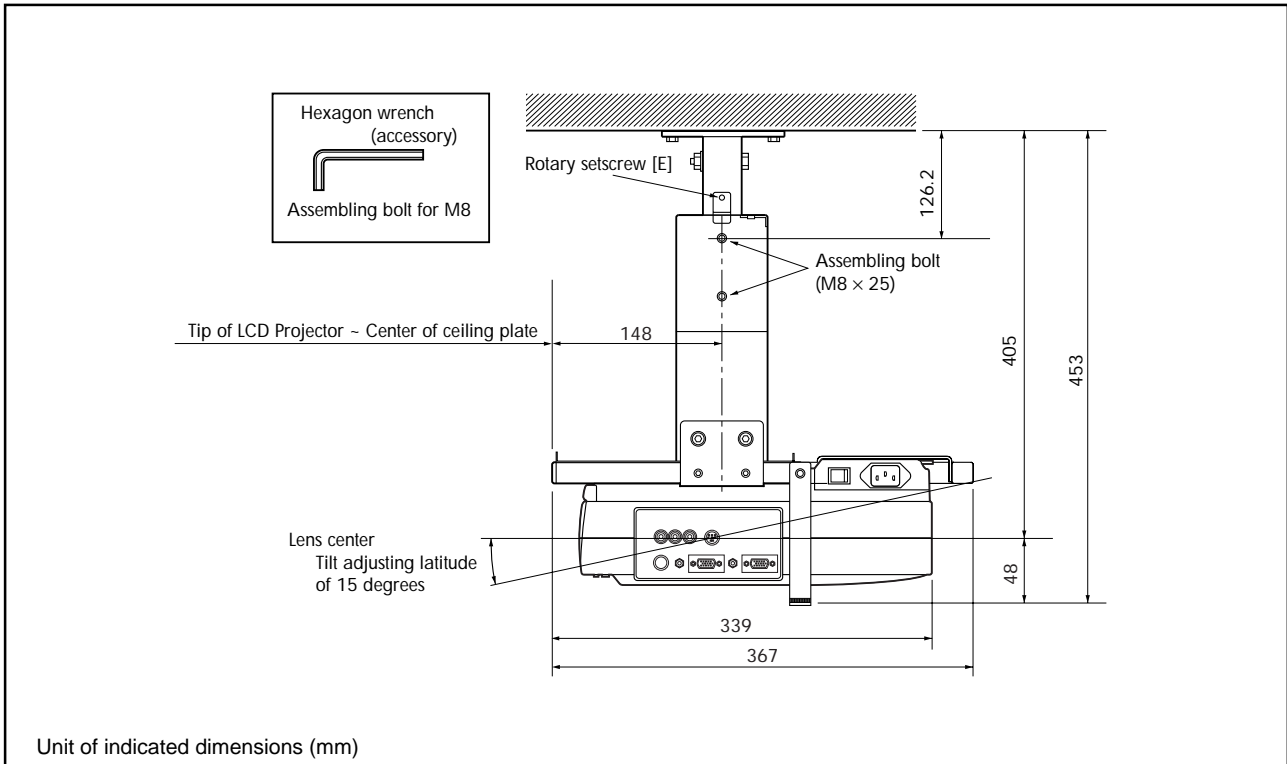
ADJUSTMENT OF PROJECTION POSITION (Refer to Fig. 5)

1. Carry out horizontal and vertical adjustments as follows:

- (1) To adjust the horizontal position of the screen, loosen rotary setscrews [E] (there are two pieces on both sides) and 4 hexagon socket bolts ($M5 \times 10$), and rotate the projector horizontally.
- (2) To adjust the vertical position of the screen, loosen the assembling bolts (there are 4 pieces on both sides), then tilt the front of the projector vertically.

2. Tighten the rotary setscrews [E], hexagon socket bolts ($M5 \times 10$), assembling bolts, and fix the LCD projector.

Fig. 5 ADJUSTMENT

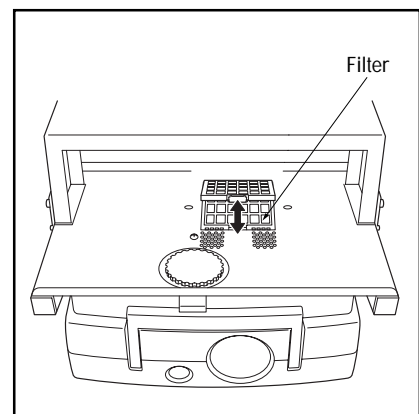
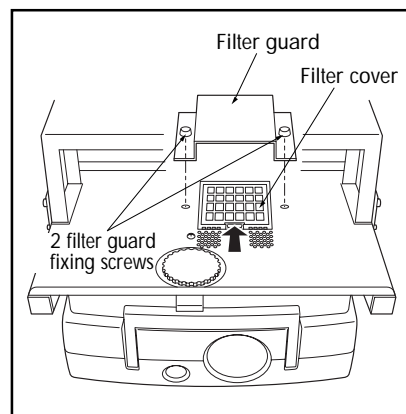


FILTER CLEANING (Carry out filter cleaning with appropriate intervals)

Before replacing the filter, never forget to turn OFF the main power switch and unplug the power cord from the outlet.

Fig. 6 REPLACEMENT

1. Remove the 2 filter guard fixing screws, and remove the filter guard.
2. Push the knob of the filter cover in the direction indicated by the arrow mark, and raise it.
3. Take out the filter, wash it well in water or synthetic detergent, and dry it completely.
4. Set the filter on the filter cover, and install the filter cover on the body.
5. Tighten 2 filter guard fixing screws, then set the filter guard.



JVC
VICTOR COMPANY OF JAPAN, LIMITED

Printed in Japan
0999YMPS/VP

Free Manuals Download Website

<http://myh66.com>

<http://usermanuals.us>

<http://www.somanuals.com>

<http://www.4manuals.cc>

<http://www.manual-lib.com>

<http://www.404manual.com>

<http://www.luxmanual.com>

<http://aubethermostatmanual.com>

Golf course search by state

<http://golfingnear.com>

Email search by domain

<http://emailbydomain.com>

Auto manuals search

<http://auto.somanuals.com>

TV manuals search

<http://tv.somanuals.com>