

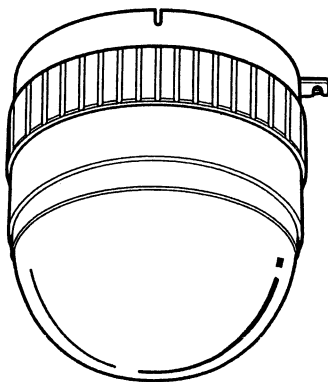
# JVC<sup>®</sup>

## COLOR DOME CAMERA

---

# TK-C553

## INSTRUCTIONS (B)



**For Customer Use:**

Enter below the Serial No. which is located on the body. Retain this information for future reference.

Model No. **TK-C553**

Serial No. \_\_\_\_\_

SC96896H-001

## IMPORTANT SAFEGUARDS

1. Read all of these instructions.
2. Save these instructions for later use.
3. All warnings on the product and in the operating instructions should be adhered to.
4. Unplug this appliance system from the wall outlet before cleaning. Do not use liquid cleaners or aerosol cleaners. Use a damp cloth for cleaning.
5. Do not use attachments not recommended by the appliance manufacturer as they may cause hazards.
6. Do not use this appliance near water - for example, near a bathtub, washbowl, kitchen sink, or laundry tub, in a wet basement, or near a swimming pool, etc.
7. Do not place this appliance on an unstable cart, stand, or table. The appliance may fall, causing serious injury to a child or adult, and serious damage to the appliance.

Use only with a cart or stand recommended by the manufacturer, or sold with the appliance. Wall or shelf mounting should follow the manufacturer's instructions, and should use a mounting kit approved by the manufacturer. An appliance and cart combination should be moved with care.

PORTABLE CART WARNING  
(symbol provided by RETAC)



S3126A

Quick stops, excessive force, and uneven surfaces may cause the appliance and cart combination to overturn.

8. Slots and openings in the cabinet and the back or bottom are provided for ventilation, and to insure reliable operation of the appliance and to protect it from overheating, these openings must not be blocked or covered. The openings should never be blocked by placing the appliance on a bed, sofa, rug, or other similar surface.  
This appliance should never be placed near or over a radiator or heat register. This appliance should not be placed in a built-in installation such as a bookcase unless proper ventilation is provided.
9. This appliance should be operated only from the type of power source indicated on the marking label. If you are not sure of the type of power supplied to your home, consult your dealer or local power company. For appliance designed to operate from battery power, refer to the operating instructions.
10. This appliance system is equipped with a 3-wire grounding type plug (a plug having a third (grounding) pin). This plug will only fit into a grounding-type power outlet. This is a safety feature. If you are unable to insert the plug into the outlet, contact your electrician to replace your obsolete outlet. Do not defeat the safety purpose of the grounding plug.
11. For added protection for this product during a lightning storm, or when it is left unattended and unused for long periods of time, unplug it from the wall outlet and disconnect the antenna or cable system. This will prevent damage to the product due to lightning and power-line surges.
12. Do not allow anything to rest on the power cord. Do not locate this appliance where the cord will be abused by persons walking on it.

13. Follow all warnings and instructions marked on the appliance.
14. Do not overload wall outlets and extension cords as this can result in fire or electric shock.
15. Never push objects of any kind into this appliance through cabinet slots as they may touch dangerous voltage points or short out parts that could result in a fire or electric shock. Never spill liquid of any kind on the appliance.
16. Do not attempt to service this appliance yourself as opening or removing covers may expose you to dangerous voltage or other hazards. Refer all servicing to qualified service personnel.
17. Unplug this appliance from the wall outlet and refer servicing to qualified service personnel under the following conditions:
  - a. When the power cord or plug is damaged or frayed.
  - b. If liquid has been spilled into the appliance.
  - c. If the appliance has been exposed to rain or water.
  - d. If the appliance does not operate normally by following the operating instructions. Adjust only those controls that are covered by the operating instructions as improper adjustment of other controls may result in damage and will often require extensive work by a qualified technician to restore the appliance to normal operation.
  - e. If the appliance has been dropped or the cabinet has been damaged.
  - f. When the appliance exhibits a distinct change in performance - this indicates a need for service.
18. When replacement parts are required, be sure the service technician has used replacement parts specified by the manufacturer that have the same characteristics as the original part. Unauthorized substitutions may result in fire, electric shock, or other hazards.
19. Upon completion of any service or repairs to this appliance, ask the service technician to perform routine safety checks to determine that the appliance is in safe operating condition.

# Safety Precautions

## FOR USA AND CANADA



### CAUTION

RISK OF ELECTRIC SHOCK  
DO NOT OPEN



CAUTION: TO REDUCE THE RISK OF ELECTRIC SHOCK, DO NOT REMOVE COVER (OR BACK). NO USER-SERVICEABLE PARTS INSIDE. REFER SERVICING TO QUALIFIED SERVICE PERSONNEL.



The lightning flash with arrowhead symbol, within an equilateral triangle is intended to alert the user to the presence of uninsulated "dangerous voltage" within the product's enclosure that may be of sufficient magnitude to constitute a risk of electric shock to persons.



The exclamation point within an equilateral triangle is intended to alert the user to the presence of important operating and maintenance (servicing) instructions in the literature accompanying the appliance.

## Information for USA

This device complies with part 15 of the FCC Rules. Changes or modifications not approved by JVC could void the user's authority to operate the equipment.

Due to design modifications, data given in this instruction book are subject to possible change without prior notice.

## WARNING:

**TO REDUCE THE RISK OF FIRE OR ELECTRIC SHOCK, DO NOT EXPOSE THIS APPLIANCE TO RAIN OR MOISTURE.**

## AVERTISSEMENT:

**POUR EVITER LES RISQUES D'INCENDIE OU D'ELECTROCUTION, NE PAS EXPOSER L'APPAREIL A L'HUMIDITE OU A LA PLUIE.**

## INFORMATION (FOR CANADA) RENSEIGNEMENT (POUR CANADA)

This Class B digital apparatus complies with Canadian ICES-003.

Cet appareil numérique de la Class B est conforme à la norme NMB-003 du Canada.

**Thank you for purchasing this product.  
(These instructions are for TK-C553U and TK-C553E)**

## **CONTENTS**

Features .....	6
Operating Precautions .....	6
Safety Precautions .....	7
<b><i>Controls, Connectors and Indicators</i></b>	
Camera Body .....	8
Ceiling Mount .....	11
<b>SYSTEM</b>	
System with Remote Control Unit RM-P2580 .....	12
<b>INSTALLATION</b>	
Connections to Camera Terminal Board .....	15
Ceiling Installation .....	17
Adjusting the Camera Angle .....	19
Connection for Adjustment of the Camera .....	21
<b>SETUP MENU</b>	
SETUP MENU Flow .....	22
Menu Settings Using the Operation Buttons on the Camera Body .....	24
Menu Settings Using the RM-P2580 .....	25
SETUP MENU Screen .....	26
VIDEO ADJUSTMENT Screen .....	27
MODE SELECT Screen .....	29
COMMUNICATION Screen .....	30
FUNCTION Screen .....	31
BLC (Back Light Compensation) Adjustment .....	32
Fixed Light Metering Areas .....	32
User Settable Light Metering Areas .....	33
Manual Adjustment of White Balance .....	33
AWC (One-Push Auto White Balance) Adjustment .....	35
CAMERA TEXT Setting .....	36
AUTO START DEMO .....	38
POSITION TEXT Setting .....	39
AUTO PATROL Setting .....	41
SPECIFICATIONS .....	43

## Features

- Color Dome Camera with integrated variable-focal-length lens and camera.
- Backlight compensation function provided. Enables improvement of video image shot with backlit conditions.
- Employment of TTL automatic tracking white balance allows use under various light source conditions.
- One-push auto white balance (AWC) function.
- Control possible via external control signal conforming to the EIA/TIA RS-422A or RS-485 standard. The unit can be controlled using the JVC Remote Control Unit RM-P2580.
- Setup menus can be set using buttons on the camera body or by external control signal.
- Auto panning and tilting, auto scrolling and auto patrol possible.
- Up to 6 position settings per camera.
- Setting of camera text and position text possible.
- Digital zoom enables up to 2× zoom.

- Before starting an important recording, be sure to perform a test recording in order to confirm that a normal recording is possible.
- We do not accept liability for the loss of a recording in the case of it becoming impossible to record due to a problem in the video camera, VCR or video tape.
- We do not accept liability for any damage to the camera in cases when it is dropped because of incomplete installation due to not observing the installation instructions correctly. Please be careful when installing the camera.

## Operating Precautions

- To save energy, when it is not being used turn the system's power off.
- This camera has been designed for indoor use. It cannot be used outdoors.
- This camera has been designed exclusively to be hung from the ceiling. It may malfunction if it is placed on a surface or if it is tilted.
- Do not install or use the camera in the following places.
  - In a place exposed to rain or moisture.
  - In a place with vapor or oil soot, for example in a kitchen.
  - In a temperature outside the operating temperature range (−10°C to 50°C).
  - Near a source of radiation, X-rays, strong radio waves or magnetism.
  - In a place subject to vibration.
  - In a place with excessive dirt.
- If this camera and the cables connected to this camera are used where there are strong electromagnetic waves or where there is magnetism present, for example near a radio or TV transmitter, power transformer or an electric motor, the picture may produce noise and the colors may be affected.
- This camera incorporates an AGC circuit. As a result, when it is used under low light conditions, the camera sensitivity is automatically boosted and the picture may look uneven. This is not a malfunction however.
- The white balance setting when used under a fluorescent lamp should be ATW (Auto White).
- When this camera is used in the ATW mode, the recorded colors may be slightly different from the actual colors due to the operational principles of the auto-tracking white balance circuit. This is however not a malfunction.


## Safety Precautions

- If a high-intensity object (such as a lamp) is shot, the image on the screen may have vertical lines (smear) or blur (blooming) at its periphery. This is a characteristic of the CCD, and is not a defect.
- Resolution decreases as the digital zoom ratio is increased.
- Do not touch the dome cover of the lens directly with your hand, contamination of this cover will lead to a deterioration of the picture quality.
- Observe the following when carrying out camera maintenance.
  - Turn the power OFF before proceeding to carry out maintenance.
  - Clean the dome cover lens using a lens wiper cloth (or a tissue).  
If it is contaminated seriously, clean the contaminated part with a cloth (or a tissue) which has been soaked in a solution of water and a neutral detergent.
- Installation of this unit requires expertise. Please contact your dealer for details.
- The ceiling to mount the TK-C553 has to be strong enough to support ten times the weight of this product.  
If the ceiling is not strong enough, make sure to apply reinforcement to the ceiling before installation.
- Be sure to tighten the screws and nuts securely, Insufficient tightening may cause the unit to fall from its mount.
- The unit is to be powered by a DC 12 V or an AC 24 V power supply.  
The AC 24 V power supply should conform to the following:  
Isolated power supply only (E type)  
Class 2 only (U type)

### Precautions for Use with the RM-P2580

- The focus button will be inoperative.
- The Pan/Tilt speed becomes as shown in the following table.

RM-P2580 P/T SPEED	2	4	6	8
TK-C553 operation	2	4	4	4

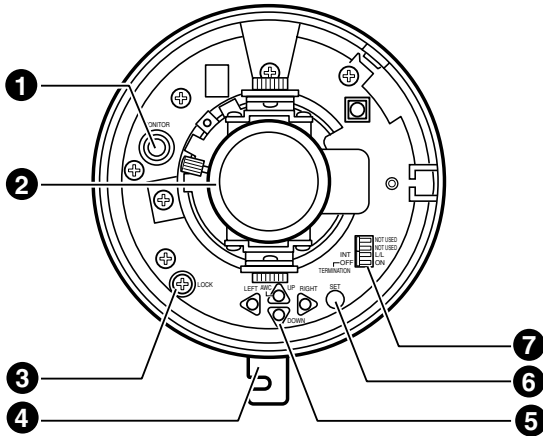
- During auto pan operation, the PAN/TILT and ZOOM buttons remain inoperative.
- The auto pan start/stop positions cannot be set.
- Auto patrol works.  
 See page 41.

# Controls, Connectors and Indicators

## Camera Body

### ■ Body Surface

View when the dome cover is removed.



#### ❶ MONITOR terminal (RCA pin)

For connecting a monitor when determining camera angle, etc. (High impedance)

#### ❷ Camera head

#### ❸ Horizontal LOCK screw

When adjusting the camera angles horizontal rotation, this screw is loosened for adjustment and tightened to maintain the angle.

#### ❹ Camera clamp

Fix the camera body to the ceiling mount by fastening the camera clamping screw of the ceiling mount to this clamp.

#### ❺ Operation buttons

##### LEFT/RIGHT/UP/DOWN

Used to move the cursor on the SETUP MENU screens and for changing set values.

##### AWC

Press for about 1 second to activate the one-push auto white balance. Even if the color temperature changes later on, the white balance does not adjust to the change.

#### ❻ SET button

Press to display and close the setup screen.



---

## 7 DIP switch

### ■ Video synchronization selector switch

Switches the synchronization method of the camera image.

INT: Internal synchronization

L/L: The camera's vertical synchronization is matched with the frequency of the AC 24 V line power supply.

When switching between multiple cameras using a switcher, selecting the LL mode and adjusting the vertical phase can reduce the monitor sync disturbances occurring when the camera image is switched.

### ■ Control signal termination ON/OFF switch

This is a termination ON/OFF switch between the "RX+" and "RX-" control signal connection terminals.

ON: The "RX+" to "RX-" route is terminated by a 110-Ω resistor.

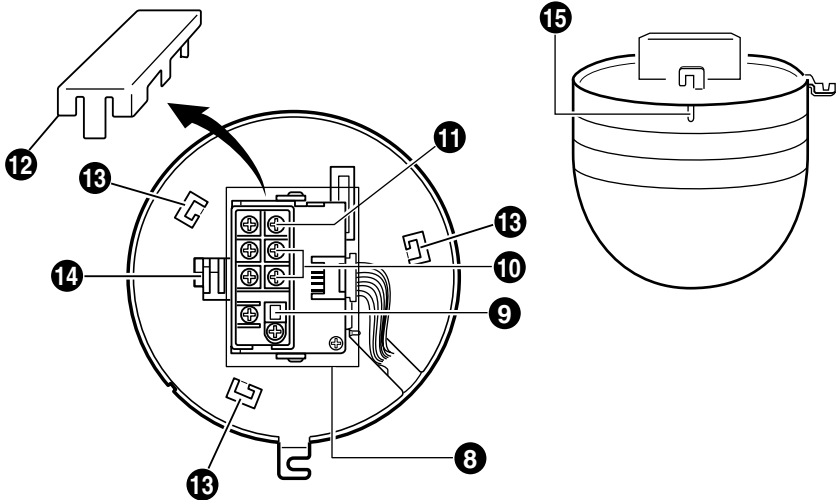
OFF: The RX+ to RX- route is not terminated.

# Controls, Connectors and Indicators

## Camera Body

### ■ Body Underside

(Condition with terminal board attached.)



#### 8 Terminal board

To connect the coaxial cable used as the video signal cable, the power cable, control signal cable, etc.  
(☞ See page 15)

#### 9 Video output terminal

Outputs composite video signals (1 V (p-p), output impedance 75Ω). Should be connected to video input terminal on monitor, switcher, or remote control unit.

#### 10 Control signal connection terminals

Terminals for inputting signals with electrical characteristics conforming to the EIA/TIA RS-422A or RS-485 standard. Connected to the optional Remote Control Unit RM-P2580, etc.

#### 11 DC 12 V / AC 24 V input terminals

To input DC 12 V or AC 24 V power. The AC 24 V power supply should conform to the following:  
U-type: Class 2 only  
E-type: Isolated power supply only

#### 12 Terminal board cover

Protects the cable connection terminals from dirt, etc.

#### 13 Camera body mounting guides (× 3)

To be inserted into the guide holes of the ceiling mount.

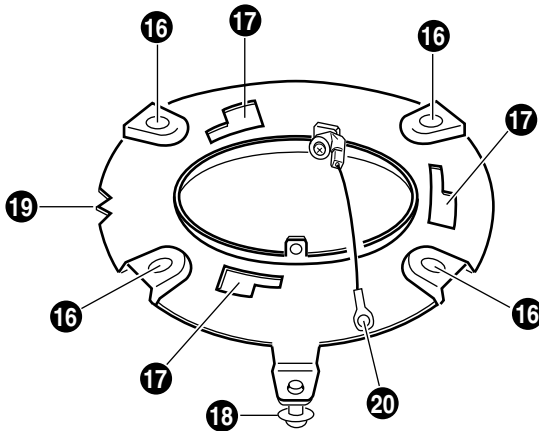
#### 14 Drop prevention wire hook

Attach the drop prevention wire to this hook.

#### 15 Camera positioning alignment mark

When mounting the camera onto the ceiling mount, align this mark with the mark on the mount.

## Ceiling Mount



### 16 Mounting holes (× 4)

Use these holes to attach the ceiling mount to the ceiling.

### 17 Guide holes for mounting camera (× 3)

Guide holes for mounting the camera. The camera body mounting guides 13 are inserted into these holes.

### 18 Camera clamping screw

To hold the camera in place, be sure to use this screw to lock the camera clamp 4.

### 19 Camera positioning alignment mark

Positioning mark for when the camera body is attached.

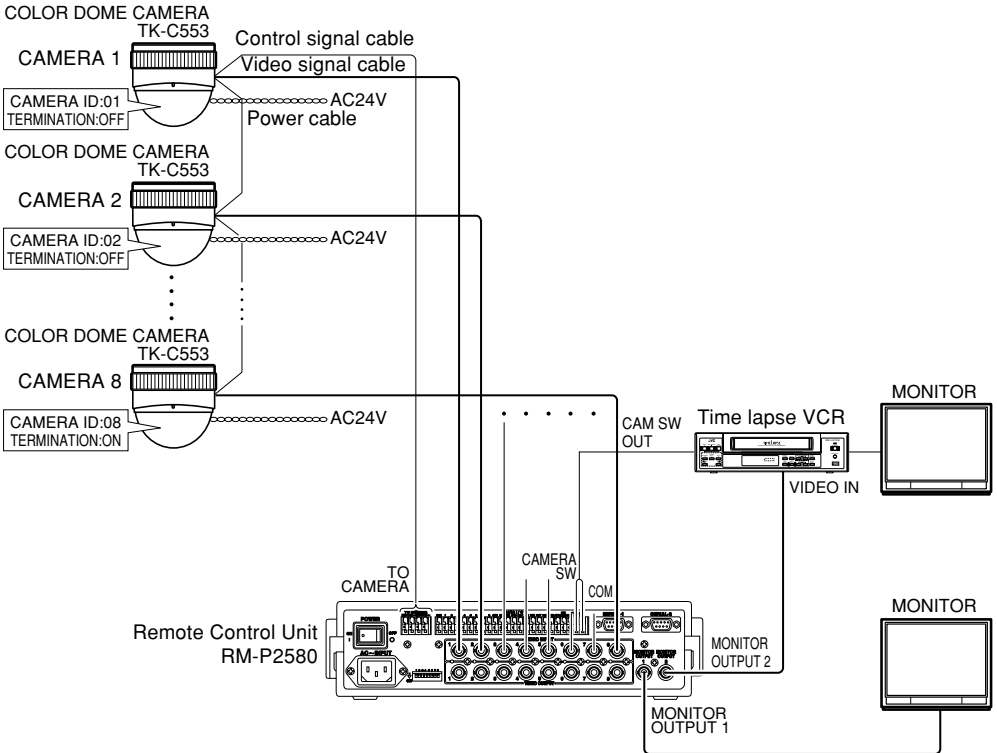
### 20 Drop prevention wire hook

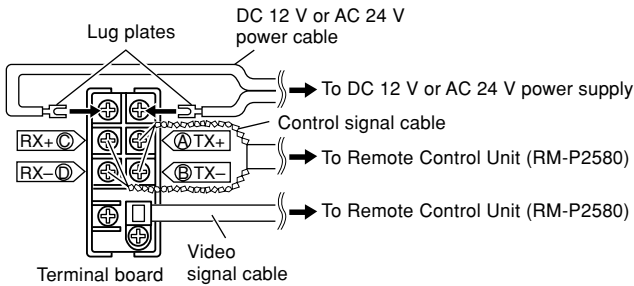
Attach this wire to the drop prevention wire hook 14 on the camera body.

# SYSTEM

## System with Remote Control Unit RM-P2580

System with up to 8 cameras. (Six position settings available for each camera.)

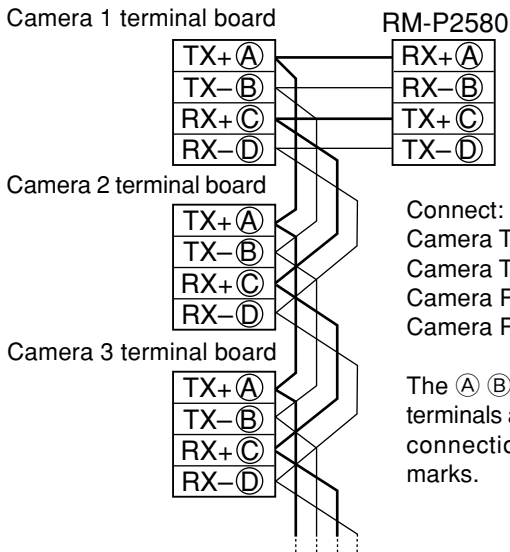




- Turn OFF the power supply to all equipment to be used before making connections.
- Read the Instruction Manual for each piece of equipment to be used before making connections.
- The control signal cable cannot be used for loop connection.

### Connecting the control signal cable

(Use a twisted-pair cable for connection. ☞ See page 16.)



Connect:  
 Camera TX+ to RM-P2580 RX+  
 Camera TX- to RM-P2580 RX-  
 Camera RX+ to RM-P2580 TX+  
 Camera RX- to RM-P2580 TX-

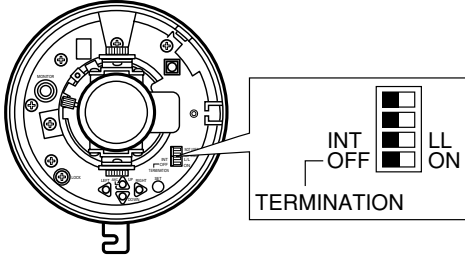
The (A) (B) (C) (D) marks indicated on both the camera terminals and the RM-P2580 terminals facilitate correct connections. Connect the terminals with identical marks.

# SYSTEM

## System with Remote Control Unit RM-P2580

### Settings

#### ■ CAMERA FACE



- Video synchronization selector switch (INT/LL)  
Set to LL (Line Lock) on all cameras, and align V.PHASE.  
(☞ See page 29.)
- Control signal termination ON/OFF switch (TERMINATION OFF/ON)  
Set this to ON only on the camera placed at the end of the control signal cable.  
Set to OFF on all other cameras.

### Menu Screen Settings

#### ■ COMMUNICATION menu screen

- MODE item: Set to DUPLEX
  - STYLE item: Set to MULTIDROP
  - ID item: Set the camera ID.  
For each camera, match the ID with the VIDEO INPUT number of the RM-P2580.
- \* Settings on the COMMUNICATION menu screen are performed using the operation buttons on the front section of the camera.

#### MEMO

Following selection of MEMORY, the settings on the COMMUNICATION menu will not be valid before the power has been turned on again.

#### ■ FUNCTION menu screen

Screen for making settings related to the Auto Patrol and Auto Pan functions and display of text.

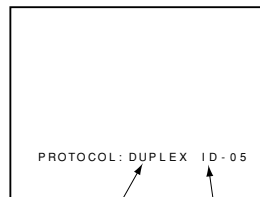
- Settings on the FUNCTION menu are performed using the operation buttons on the RM-P2580. They cannot be made using the operation buttons on the camera body.
- Make settings on other menus as required.

#### MEMO

When operating a system using the RM-P2580, several cameras (up to 16) can be connected and used on one control signal cable. Consequently, an incorrect switch setting on just a single camera will cause the entire system to work incorrectly.

- Confirm switch settings on the screen as follows.
  - ① Confirm that the image from the camera to be checked is displayed on the monitor.
  - ② Turn OFF and then ON the power to the camera to be checked.
  - ③ When the STYLE item is MULTIDROP, characters similar to those shown in the figure below are displayed for about 5 seconds. They do not appear in the case of POINT to POINT.
  - ④ Confirm that "DUPLEX" and "ID-□□" are displayed and that the ID number is the correct number (the number should be the same as the number of the VIDEO INPUT terminal to which the camera is connected on the rear panel of the RM-P2580).
  - ⑤ If wrong, set the MODE item, STYLE item and camera ID again.

MONITOR screen  
Monitor screen (example showing camera ID as "05")



"DUPLEX" should be displayed.

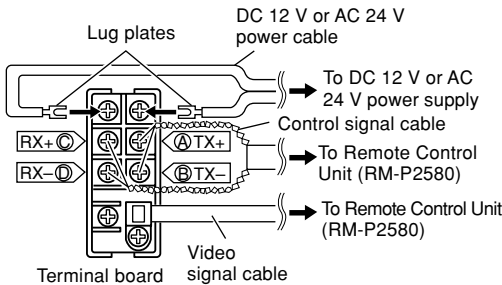
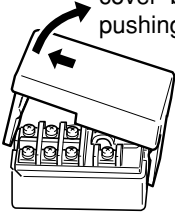
The number shown in the □□ part of ID-□□ should be correct.

# INSTALLATION

## Connections to Camera Terminal Board

- Turn OFF the power supply to all components before making connections.

Remove the terminal board cover by flipping it up while pushing its top to the left.



### Connections to Terminal Board

Remove the terminal board cover and connect the video signal cable (coaxial cable) (× 1).

Connect the DC 12 V or AC 24 V power cables (× 2).

In a system where the Remote Control Unit (RM-P2580), etc. is used, connect the control signal cables (× 4).

### ■ DC 12 V or AC 24 V power supply cable

Connect the DC 12 V or the AC 24 V power supply to the DC 12V/AC 24V terminals on the terminal board. To prevent connection errors or a cable disconnection, we recommend the use of lug plates for the connections.

The following table shows the connection distances and connection cables provided that 2-conductor VVF cables (vinyl-insulated vinyl sheath cables) are used.

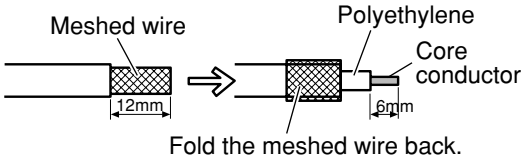
Maximum extension (reference)	100 m	260 m	410 m	500 m
Conductor diameter	1.0Ømm and more	1.6Ømm and more	2.0Ømm and more	2.6Ømm and more

### CAUTION:

- If thin cables are used (i.e. with a high resistance), a significant voltage drop will occur when the unit is at its maximum power consumption. Either use a thick cable to restrict the voltage drop at the camera side to below 10%, or place the power supply near to the camera. If voltage drop occurs during operation, the performance will be unstable.
- Attach the cable conductors so that they do not come into contact with the drop prevention wires.
- Do not allow input from both a DC 12 V and AC 24 V power supply at the same time.
- When using a DC 12 V power supply, ensure that the polarities of the cable are correct.
- The AC 24 V power supply should conform to the following:  
U-type: Class 2 only  
E-type: Isolated power supply only

# INSTALLATION

## Connections to Camera Terminal Board (Continued)

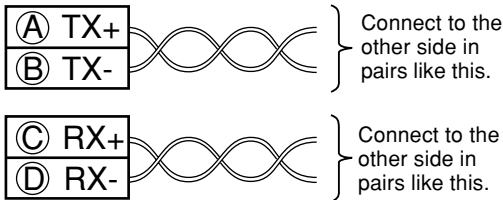


### ■ Video signal cables

Connect the coaxial cables to the video signal output terminals. Treat the tips of the coaxial cables as shown on the left before connection.

#### Note

Use the 3C-2V or 5C-2V video signal cable (coaxial cable). The 7C-2V cannot be used.



### ■ Control signal cables

These cables should be connected only when it is required to control the camera using the RS-442A or RS-485 signals. The use of 0.65 4-conductor twisted pair cables is recommended. With these cables, the maximum extension distance is 1,200 m.

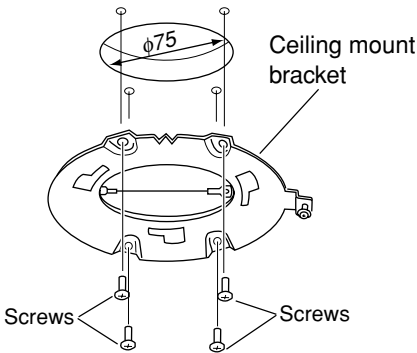
After having connected all of the required cables, again attach the terminal board cover.

Forgetting to attach the terminal board cover could result in accidents or injuries.

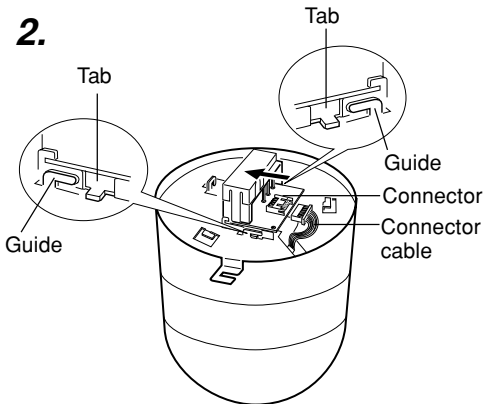


## Ceiling Installation

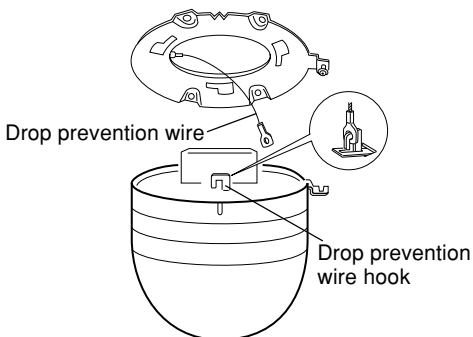
1.



2.



3.



1. Make a hole (75 mm diameter) in the ceiling for passing the connection cables, and attach the provided ceiling mount to the ceiling.

Coincide the center of the mount with the hole (75 mm diameter) for passing the cables through the ceiling. Attach the ceiling mount to the ceiling using 4 screws.

Pass the wired terminal board through the hole in the center of the ceiling mount and leave it hanging down.

- Use M4 screws or bolts for attaching the ceiling mount.
- If wood screws are used, use screws with a diameter of 4.1 mm.
- The screw head height should be no more than 4 mm.

2. Attach the wired terminal board to the camera.

1) Slide the tab on the terminal board into the guide on the camera. When the terminal board is moved in the direction of the arrow, it is secured to the camera.

2) Connect the connector cable from the camera body to the connector on the terminal board.

3. Attach the drop prevention wire.

As shown in the illustration, pull the drop prevention wire out from the ceiling mount and attach it to the drop prevention wire hook on the underside of the camera body.

### CAUTION

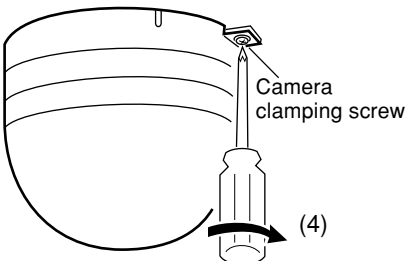
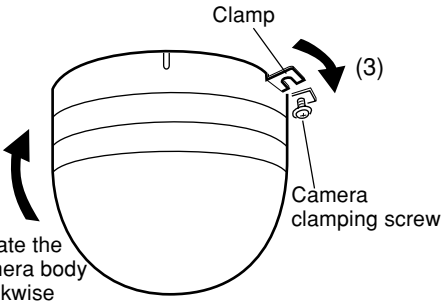
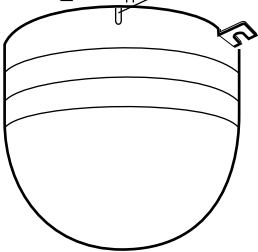
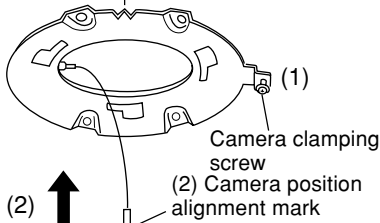
Be sure to attach the drop prevention wire. If not attached, the camera body could drop down.

# INSTALLATION

## Ceiling Installation (Continued)

4.

(2) Position alignment mark



Tighten the camera clamping screw.

4. Mount the camera body.

- 1) Ensure that the camera clamping screw on the ceiling mount is loosened.
- 2) Align the camera position alignment mark on the camera body with the camera position alignment mark on the ceiling mount and press the camera body straight against the mount.

### Note

Exercise caution when mounting so as not to pinch the drop prevention wire and the connected cables.

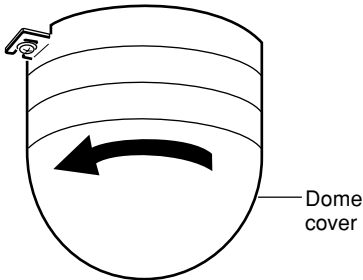
- 3) Rotate the camera body clockwise as far as it will go.  
At this point, check that the camera body clamp is located on the lock screw on the ceiling mount.
- 4) Tighten the camera clamping screw.

### CAUTION

Be sure to tighten the camera clamping screw fully. Otherwise the camera body may vibrate or drop from the ceiling.

To dismantle the camera from the ceiling, perform steps **2.** to **4.** in reverse order.

## Adjusting the Camera Angle



Remove the dome cover.  
Rotate the dome cover counterclockwise and pull it off.

### ■ Horizontal rotation (adjustable range: 90°)

1. Loosen the horizontal LOCK screw.
2. Holding the both tilt lock screws, rotate horizontally.
3. Tighten the horizontal LOCK screw.

### ■ Vertical rotation (adjustable range: 130°)

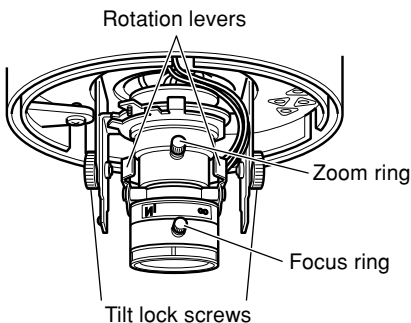
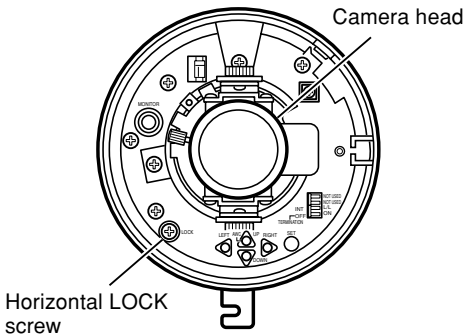
1. Loosen the tilt lock screws.
2. Holding the rotation levers, rotate vertically.
3. Tighten the tilt lock screws.

### ■ Image inclination (adjustable range: 30°)

Manipulate the rotation levers to adjust the inclination of the image.

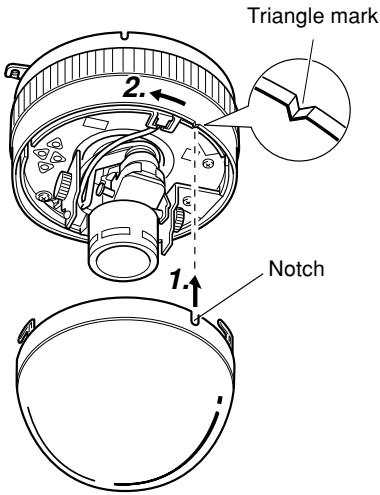
### ■ Adjusting the image size Adjust the size using the zoom ring.

- ### ■ Adjusting the focus
- Adjust using the focus ring.  
When required, the surveillance image should be adjusted, etc. This adjustment is performed using the setup screen.



# INSTALLATION

## Adjusting the Camera Angle (Continued)



### Attach the dome cover.

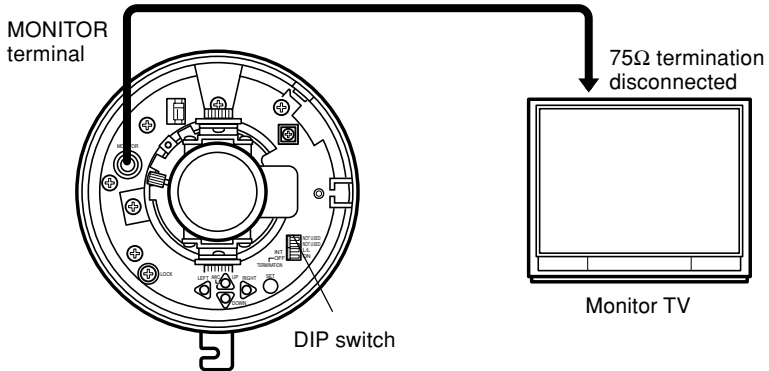
1. Align the notch in the dome cover with the triangle mark and push the cover onto the camera body.
2. Rotate the cover clockwise as far as it will go and is seated firmly.

#### CAUTION

Be sure that the dome cover is firmly attached. Improper attachment could result in the cover dropping down.

## Connection for Adjustment of the Camera

Temporarily used for making various adjustments while the camera remains in the installed location.



\* The power to the camera body must be ON when adjustments are performed.

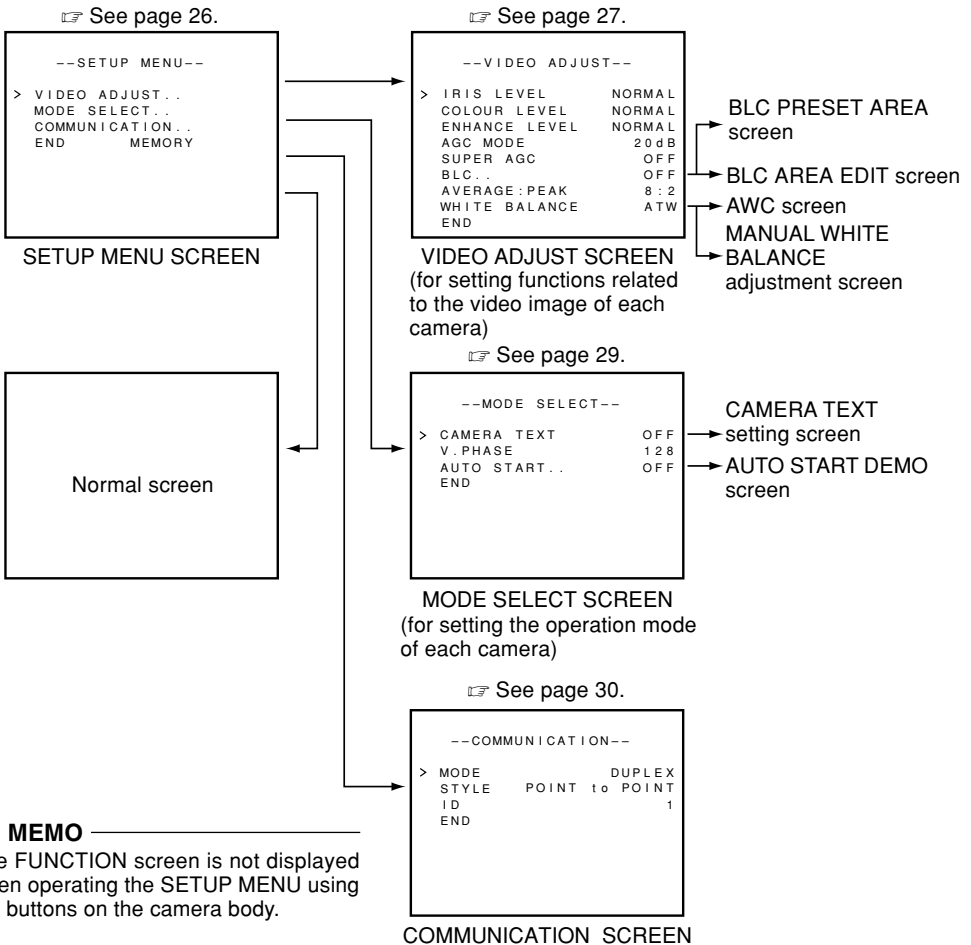
# SETUP MENU

## SETUP MENU Flow

This unit is provided with a SETUP MENU that allows various settings to be performed on the screen of a connected monitor using the switches on the camera body. The SETUP MENU consists of separate layers divided according to function types as shown below. The setup menus that can be set vary depending on whether the settings are done using the operation buttons on the camera body or by transmitting commands from an external control device, such as the JVC RM-P2580.

\* Menu setting operation can only be conducted after the operation to display the SETUP MENU has been performed (using the operation buttons on the camera body or by transmitted commands). (☞ See page 24, 25.)

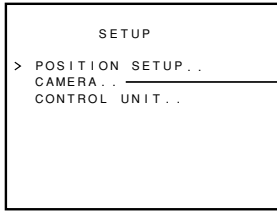
### ■ SETUP MENU flow when the operation buttons on the camera body are used



(for setting the form of connection to the control signal connection terminals on the camera body, etc. and for setting the communication mode, etc.)

# SETUP MENU Flow (Continued)

## ■ SETUP MENU flow when commands are transmitted from the RM-P2580

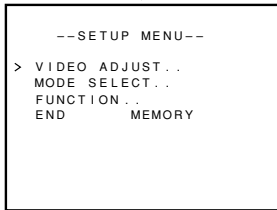


Select the "CAMERA" item.

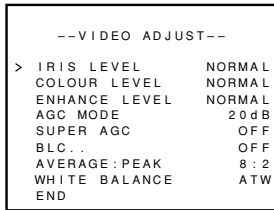
SETUP menu from remote control

See page 26.

See page 27.



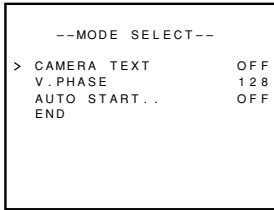
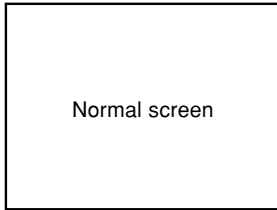
SETUP MENU SCREEN



VIDEO ADJUST SCREEN  
(for setting functions related to the video image of each camera)

- BLC PRESET AREA screen
- BLC AREA EDIT screen
- AWC screen
- MANUAL WHITE BALANCE adjustment screen

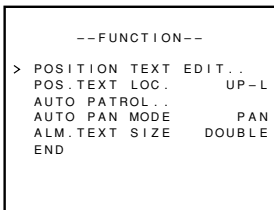
See page 29.



MODE SELECT SCREEN  
(for setting the operation mode of each camera)

- CAMERA TEXT setting screen
- AUTO START DEMO screen

See page 31.



FUNCTION SCREEN  
(for settings related to POSITION TEXT, AUTO PATROL, AUTO PAN operation, etc.)

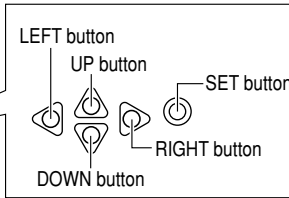
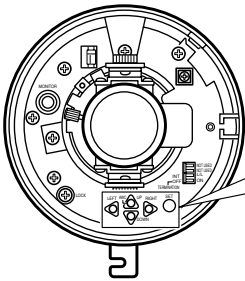
- POSITION TEXT setting screen
- AUTO PATROL setting screen

### MEMO

The COMMUNICATION screen is not displayed when the SETUP MENU is set by means of transmitted commands.

# SETUP MENU

## Menu Settings Using the Operation Buttons on the Camera Body

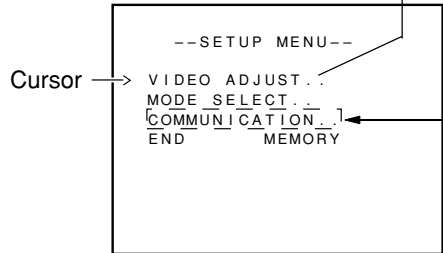


Submenu to be followed

1. Press the SET button to display the SETUP MENU screen on the monitor.
2. Press the UP or DOWN button to align the cursor (>) with the item to be set. Then press the SET button.
  - The submenu for the selected item appears.

### MEMO

Items followed by “..” are items that have a submenu.



SETUP MENU screen

3. Press the UP or DOWN button to align the cursor (>) with the item to be set.
4. Press the LEFT or RIGHT button to change the set value. When the set value of an item is changed, the change mark (\*) appears after the cursor (>).

■ When items followed by the “..” indication are selected, press the SET button.

\* The selected item's setting screen appears.

5. To exit the submenu, press the DOWN button to align the cursor (>) with END. Then press the SET button.
  - The SETUP MENU screen returns.
  - To set other submenus, repeat steps 2. to 5.

6. To complete the menu settings, align the cursor (>) with the END item on the SETUP MENU and press the LEFT or RIGHT button to select the way to end the setting.

**To save the setting contents, be sure to select “MEMORY”.**

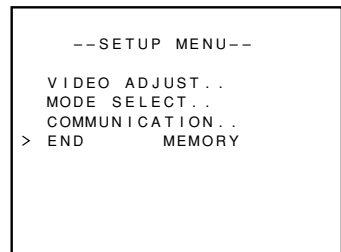
Finally, press the SET button.

\* “DATA SAVED” is displayed in the lower part of the screen, and then the normal screen returns.

Change mark

	Item	Set value
	--VIDEO ADJUST--	
>*	IRIS LEVEL	NORMAL
	COLOUR LEVEL	NORMAL
	ENHANCE LEVEL	NORMAL
	AGC MODE	20dB
	SUPER AGC	OFF
	BLC	OFF
	AVERAGE:PEAK	8:2
	WHITE BALANCE	ATW
	END	

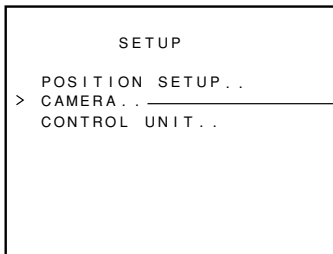
VIDEO ADJUST screen



SETUP MENU screen



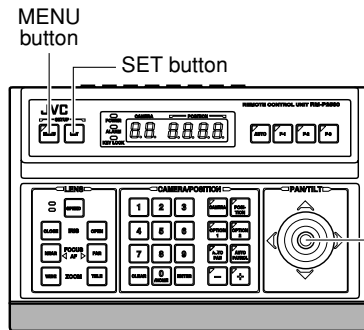
## Menu Settings Using the RM-P2580



SETUP screen from remote control

SET button

Select the  
CAMERA  
item.



RM-P2580

When using the RM-P2580.  
FUNCTION

1. Press the MENU button for about 3 seconds to display the remote control's SETUP screen on the monitor. (Above figure)
2. Press the PAN/TILT control lever up (▲) or down (▼) to align the cursor (>) with the CAMERA item. Then press the SET button.
  - The SETUP screen appears. (See figures on the left.)
3. Press the PAN/TILT control lever up (▲) or down (▼) to align the cursor (>) with the item to be set. Then press the SET button.
  - The selected item's submenu appears.

### MEMO

Items followed by “..” are items that have a submenu.

4. Press the PAN/TILT control lever up (▲) or down (▼) to align the cursor (>) with the item to be set.
5. Press the PAN/TILT control lever to the left (◀) or to the right (▶) to change the set value. When the set value of an item is changed, the change mark (\*) appears after the cursor (>).
  - When items followed by the “..” indication are selected, press the SET button.
    - \* The selected item's setting screen appears.
6. To exit the submenu, press the PAN/TILT control lever down (▼) to align the cursor (>) with END. Then press the SET button.
  - The SETUP MENU screen returns.
  - To set other submenus, repeat steps 3. to 6.
7. There are two methods to complete the menu settings.
  - Align the cursor (>) with the END item on the SETUP MENU and press the PAN/TILT control lever to the left (◀) or to the right (▶) to select the way to end. Finally, press the SET button.
  - Press the MENU button while the SETUP MENU screen is displayed. In this case, the menu setting is completed in accordance with the setting displayed for the END item.
  - **To save the setting contents, be sure to select “MEMORY”.**
  - “DATA SAVED” is displayed in the lower part of the screen and then the normal screen returns.

# SETUP MENU

## SETUP MENU Screen



Item	Function	Variable range	Factory setting
VIDEO ADJUST	Displays the VIDEO ADJUST. For adjusting functions related to the video image of each camera.	—	—
MODE SELECT	Displays the MODE SELECT. For setting the operation mode, etc. of each camera.	—	—
COMMUNICATION	Only valid when settings are made using the operation buttons on the camera body. Displays the COMMUNICATION. For setting the form of connection to the control signal connection terminals on the camera body and setting the communication mode, etc.	—	—
FUNCTION	Only valid when settings are made by transmitting commands. Displays the FUNCTION menu. For settings related to POSITION TEXT, AUTO PATROL, AUTO PAN, etc.	—	—
END	<p>Closes the SETUP MENU screen so that the normal screen returns. After selecting this item, select the way to end the menu setting.</p> <p><b>MEMORY:</b> Set contents are retained in memory.</p> <p><b>CLEAR:</b> Settings of the following items return to the contents valid before the setting, and other settings return to the factory settings.</p> <ul style="list-style-type: none"> <li>• MANUAL WHITE BALANCE</li> <li>• AWC</li> <li>• CAMERA TEXT</li> <li>• COMMUNICATION menu</li> </ul> <p><b>FACTORY:</b> Set contents return to the factory settings.</p> <p>However, when making settings by means of transmitted commands, the contents of the COMMUNICATION menu do not return to the factory settings.</p>	MEMORY CLEAR FACTORY	MEMORY

## VIDEO ADJUST Screen



Item	Function	Variable range	Factory setting
IRIS LEVEL	Adjusts the brightness level of the video signal. <ul style="list-style-type: none"> <li>To lower the brightness level ... Decrease the value</li> <li>To raise the brightness level ... Increase the value</li> </ul>	-5 to NORMAL to 5	NORMAL
COLOUR LEVEL	To adjust the color level of the video signal. <ul style="list-style-type: none"> <li>To make colors lighter ... Decrease the value</li> <li>To make colors darker ... Increase the value</li> </ul>	-5 to NORMAL to 5	NORMAL
ENHANCE LEVEL	To adjust the contour enhancing level of the video signal. <ul style="list-style-type: none"> <li>To make the picture quality softer ... Decrease the value</li> <li>To make the picture quality harder ... Increase the value</li> </ul>	-5 to NORMAL to 5	NORMAL
AGC MODE	Sets the maximum gain of the AGC (Automatic Gain Control). <ul style="list-style-type: none"> <li>Set to OFF when the AGC function is not used.</li> <li>Set to 20 dB when illumination is particularly dim.</li> </ul>	OFF 10 dB 20 dB	20 dB
SUPER AGC	Used when the brightness is still insufficient even if the AGC MODE is set at 20 dB. ON: Gain level is increased. OFF: Gain level is not increased. * When SUPER AGC is ON; <ul style="list-style-type: none"> <li>Dark areas of the screen may appear grainy.</li> <li>Gain will be set according to the setting of the SUPER AGC with no relation to the AGC MODE setting.</li> </ul>	ON OFF	OFF
BLC	Sets the backlight compensation function. Set when a bright light source, etc. is placed in the same direction as the subject. <ul style="list-style-type: none"> <li>OFF: The backlight compensation function does not work.</li> <li>AREA 1 to AREA 4: When the SET button is pressed, the fixed light metering areas are displayed. Select one of the four types.</li> <li>EDIT 1 to EDIT 2: When the SET button is pressed, the user light metering areas are displayed. Select one of the two types.</li> </ul> ☞ See "BLC Adjustment" on page 32.	OFF AREA 1 AREA 2 AREA 3 AREA 4 EDIT 1 EDIT 2	OFF

# SETUP MENU

## VIDEO ADJUST Screen (Continued)

Item	Function	Variable range	Factory setting
AVERAGE: PEAK	Sets the exposure detection as a ratio of the average value and the peak value. <ul style="list-style-type: none"> <li>• AVERAGE value large: Increase the AVERAGE value when portions other than the highlighted areas of the screen are dark and look corrupted. (Ex. 10:0)</li> <li>• PEAK value large: Increase the PEAK value when halation occurs in the highlighted areas of the screen. (Ex. 5:5)</li> </ul>	10:0 9:1 8:2 7:3 6:4 5:5	8:2
WHITE BALANCE	Selects the white balance adjustment function. The white balance can be adjusted manually or automatically for light within the color temperature range of 2500K to 8000K. <ul style="list-style-type: none"> <li>• ATW: Automatic color temperature adjustment mode.</li> <li>• MANUAL: Manual adjustment mode. When the SET button is pressed, the adjustment screen appears.  See page 35.</li> <li>• AWC: One-push auto white balance mode. When the SET button is pressed, the AWC operation screen appears.  See page 35.</li> </ul>	ATW MANUAL AWC	ATW
END	When the SET button is pressed, the SETUP MENU screen returns.	—	—

## MODE SELECT Screen

Item	Function	Variable range	Factory setting
CAMERA TEXT	<p>To select whether or not camera text is displayed and to display the CAMERA TEXT setting screen.</p> <p>OFF: Camera text is not displayed.</p> <p>ON: Camera text is displayed in the lower part of the screen.</p> <p>EDIT: When the SET button is pressed, the CAMERA TEXT setting screen is displayed.</p> <p> See page 36.</p> <p>* When EDIT is selected and the SET button is not pressed, and the cursor is moved or you switch to another menu, this function is automatically set to ON.</p>	<p>OFF</p> <p>ON</p> <p>EDIT</p>	OFF
V PHASE	<p>To adjust and align the vertical phase of the camera body with other cameras operating in the Line Lock (L/L) mode.</p> <p>Adjust while viewing the monitor screen.</p> <p>* Adjustment is made with the LEFT button and RIGHT button or by pressing the PAN/TILT control lever to the left or right.</p>	0 to 255	128
AUTO START	<p>To select the digital zoom operation mode for when the power is turned on.</p> <p>OFF: The digital zoom does not operate.</p> <p>PAN/TILT/SCROLL/PATROL: When the SET button is pressed, zoom operation takes place in accordance with the set contents.</p> <p> See page 38.</p> <p>— <b>MEMO</b> —</p> <p>This item does not function when operating with the RM-P2580.</p>	<p>OFF</p> <p>PAN</p> <p>TILT</p> <p>SCROLL</p> <p>PATROL</p>	OFF
END	<p>When the SET button is pressed, the SETUP MENU screen returns.</p>	—	—

# SETUP MENU

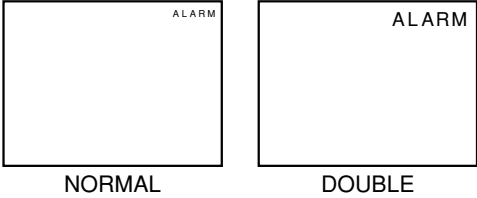
## COMMUNICATION Screen

Only displayed when settings are made using the operation buttons on the camera body.

Item	Function	Variable range	Factory setting
MODE	Sets the communication form used for communication with the external control device, such as the remote control unit. SIMPLEX: Only reception of signals from the external control device takes place. DUPLEX: Signals are both sent to and received from the external control device.	SYMPLEX DUPLEX	DUPLEX
STYLE	Set in accordance with the way the connection to the external control device, such as the remote control unit, is made. <ul style="list-style-type: none"><li>• POINT TO POINT: Select this setting when the external control device is used to control one single camera.</li><li>• MULTIDROP: Select this setting when the external control device is used to control multiple cameras.</li></ul>	POINT TO POINT  MULTI-DROP	POINT TO POINT
ID	For setting the camera ID. Be sure to set the camera ID when MULTIDROP is selected for the STYLE item. * Be careful not to duplicate the camera ID.	1 to 99	1
END	When the SET button is pressed, the SETUP MENU screen returns.	——	——

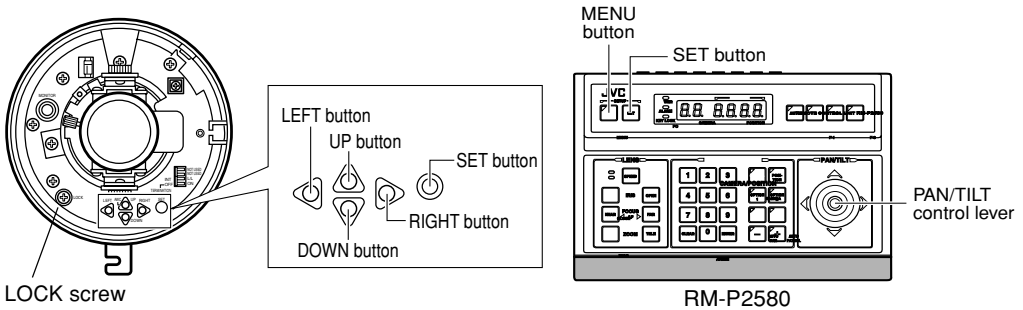
## FUNCTION Screen

Only displayed when making settings by sending commands from an external controller, such as the RM-P2580.

Item	Function	Variable range	Factory setting
POSITION TEXT EDIT	When the SET button is pressed, the POSITION TEXT setting screen is displayed. Up to 16 characters can be used as titles for set positions and home positions. ☞ See page 39.	——	——
POSI. TEXT LOC.	Selects the position for displaying POSITION TEXT on the screen. UP-L: Upper left side DOWN-L: Lower left side UP-C: Upper center DOWN-C: Lower center UP-R: Upper right side DOWN-R: Lower right side	UP-L DOWN-L UP-C DOWN-C UP-R DOWN-R	UP-L
AUTO PATROL	Used to set the position order and the surveillance time for Auto Patrol operation. When the SET button is pressed, the AUTO PATROL setting screen appears. ☞ See page 41.	——	——
AUTO PAN MODE	Selects the operation mode when the AUTO PAN command is received. (In the case of RM-P2580, this selects the operation mode when the AUTO PAN button is pressed.)	PAN TILT SCROLL	PAN
ALM. TEXT SIZE	Set the size of the characters displayed in the case of alarms. 	NORMAL DOUBLE	DOUBLE
END	When the SET button is pressed, the SETUP MENU screen returns.	——	——

# SETUP MENU

## BLC (Back Light Compensation) Adjustment



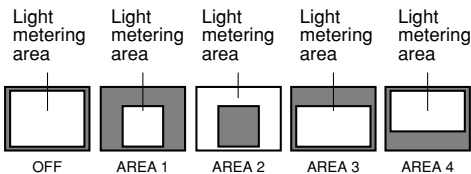
Set when a bright light source is placed behind or in the direction of the subject making the point difficult to view on the screen.

Make the setting after selecting the BLC item on the VIDEO ADJUST screen.

### MEMO

BLC does not function while the digital zoom is in used.

## Fixed Light Metering Areas



- Set the BLC item to any of AREA 1 to AREA 4. When the SET button is pressed, the fixed light metering area is displayed on the monitor.

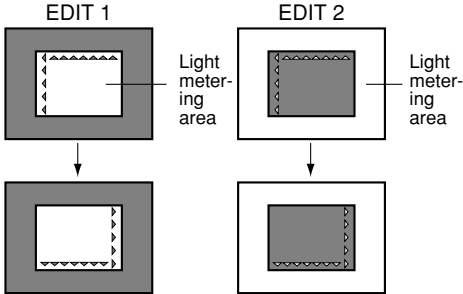
Adjust so that the unwanted light source is outside the light metering area.

- To stop display of the light metering area:
  - Press the SET button when operating on the camera body.
  - Press the MENU button when using RM-P2580.The VIDEO ADJUST screen returns.



## User Settable Light Metering Areas

- Select EDIT 1 or EDIT 2 for the BLC item. When the SET button is pressed, the user settable light metering area is displayed on the monitor.



### When operating using the camera body

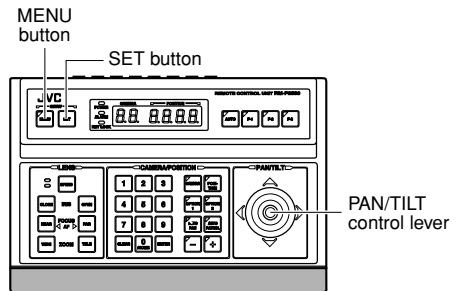
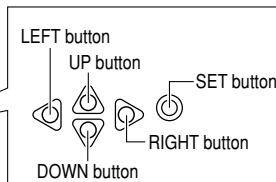
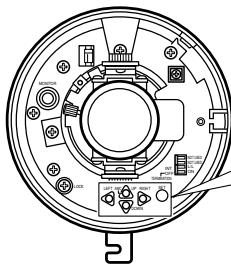
1. Use the LEFT or RIGHT button to shift the position of the left side of the light metering area, and use the UP or DOWN button to shift the upper side.
2. Press the SET button to change the position to be set from the left/up side to the right/down side.

3. Use the LEFT or RIGHT button to shift the position of the right side of the light metering area, and use the UP or DOWN button to shift the down side.
4. When the SET button is pressed, the VIDEO ADJUST screen returns.

### When operating using the RM-P2580

1. Press the SET button to select the light metering area position to be set. (Left/up → right/down → left/up ...)
2. Press the PAN/TILT control lever to the left (◀) or to the right (▶) to shift the position of the left or right side, respectively. Press the PAN/TILT control lever upward (▲) or downward (▼) to shift the up or down side position.
3. When the MENU button is pressed, the VIDEO ADJUST screen returns.

## Manual Adjustment of White Balance



RM-P2580

When automatic adjustment of the white balance results in a "reddish screen", etc., adjust the white balance manually.

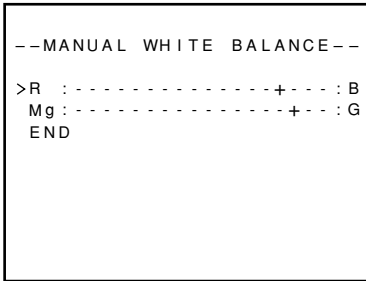
1. Adjust the white balance manually. Set the WHITE BALANCE item on the VIDEO ADJUST screen to MANUAL and press the SET button.
  - The MANUAL WHITE BALANCE adjustment screen appears on the monitor.

-- VIDEO ADJUST --	
IRIS LEVEL	NORMAL
COLOUR LEVEL	NORMAL
ENHANCE LEVEL	NORMAL
AGC MODE	20 dB
SUPER AGC	OFF
BLC . .	OFF
AVERAGE : PEAK	8 : 2
> WHITE BALANCE	MANUAL
END	

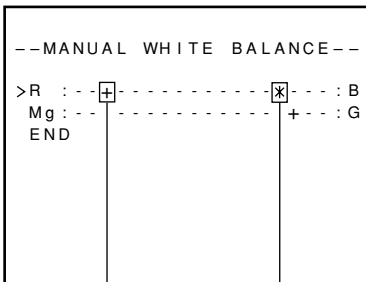
VIDEO ADJUST screen

# SETUP MENU

## Manual Adjustment of White Balance (Continued)



WHITE BALANCE  
adjustment screen



Setting indicating mark

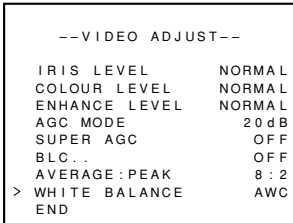
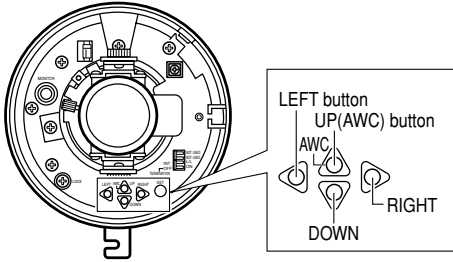
Original position

2. Select the hue to be adjusted. (R/B or Mg/G)
  - When operating using the camera body, press the UP or DOWN button.
  - When using the RM-P2580, press the PAN/TILT control lever upward (▲) or downward (▼).
3. Adjust the hue.
  - When operating using the camera body, press the LEFT or RIGHT button.
  - When using the RM-P2580, press the PAN/TILT control lever to the left (◀) or to the right (▶).
  - The “+” indicator moves in accordance with the setting. When a setting is changed, the “\*” mark appears at the original position.
4. Concluding manual white balance adjustment.
  - When operating using the camera body, press the UP or DOWN button to align the cursor (>) with the END item. Then press the SET button.
  - When using the RM-P2580, press the MENU button or use the PAN/TILT control lever to align the cursor (>) with the END item and then press the SET button.
  - The VIDEO ADJUST screen returns.

### CAUTION:

The color temperature will be slightly affected when the dome cover is attached. Pay attention to this when adjusting the white balance manually.

# AWC (One-push Auto White Balance) Adjustment



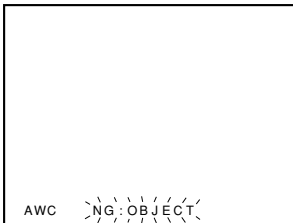
VIDEO ADJUST screen



During AWC operation



Indication when operation is completed normally.



Indication in case of abnormality

Using a simple operation, the AWC function allows the white balance to be fixed as the one valid at a given point. Used for observation when the color temperature changes frequently.

**1.** The following two methods are available for activating the AWS function.

**1** Press the UP (AWC) button on the camera body for about 1 second while the normal screen (no setup menu shown) is displayed.

or

**2** Set the WHITE BALANCE item on the VIDEO ADJUST screen to AWC and press the SET button. (Possible both on the camera body and the RM-P2580).

**2.** When the AWC function is activated, "AWC OPERATION" is displayed at the bottom of the monitor screen.

**3.** The result of the AWC operation is displayed on the monitor screen for approximately 5 seconds. Then the screen displayed before the AWC function was activated returns. (Normal screen or VIDEO ADJUST screen)

## Operation result indication

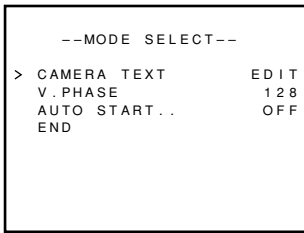
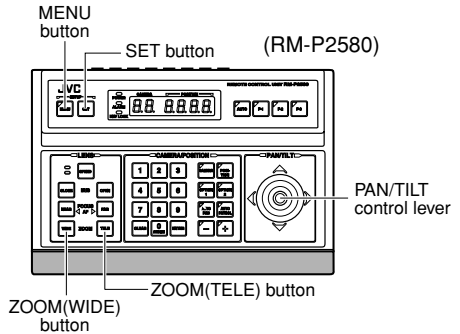
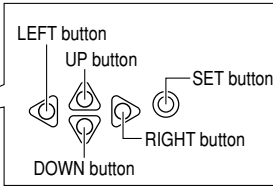
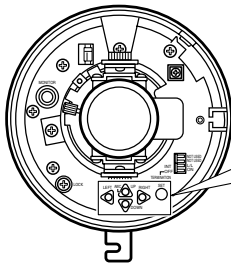
AWC	OK	:	Completed normally
AWC	NG:OBJECT	:	The color temperature is outside the tracking range
AWC	ERROR:HIGH LIGHT	:	Excessive brightness
AWC	ERROR:LOW LIGHT	:	Insufficient brightness
			Blinks

## MEMO:

The AWC function invoked by the UP (AWC) button on the camera body starts up regardless of the setting of the WHITE BALANCE item on the VIDEO ADJUST screen.

# SETUP MENU

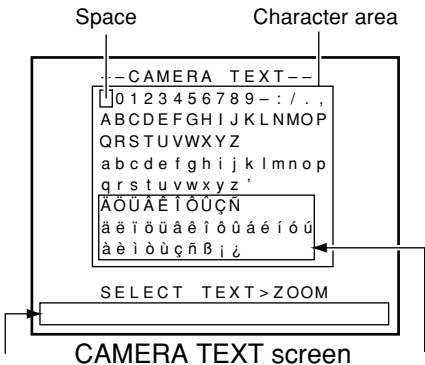
## CAMERA TEXT Setting



MODE SELECT SCREEN

Up to 24 characters can be selected as camera text for each camera. The set characters are displayed at the bottom of the screen.

1. Set the CAMERA TEXT item on the MODE SELECT screen to EDIT. Then press the SET button.
  - The CAMERA TEXT screen appears on the monitor screen.
  - Characters selected from the character area are displayed in the text input area.



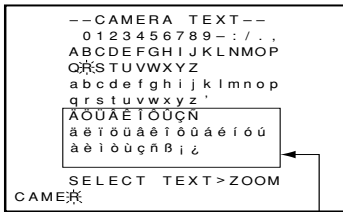
CAMERA TEXT screen

Text input area

(Displayed only for E-version)

### Setting using the camera body

2. Use the UP or DOWN button to select the position in the character input area. The position moves to the right when the UP button is pressed, and it moves to the left when the DOWN button is pressed.
3. Use the LEFT or RIGHT button to select the character to be input from the character area.
4. When the first character for the text has been selected, press the UP button.
  - The first character of the text is confirmed, and the second character can now be input.



(Displayed only for E-version)

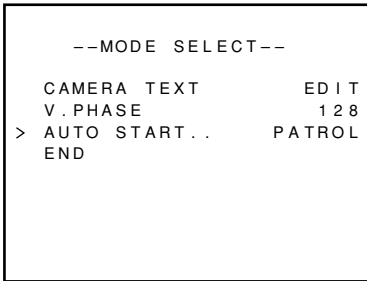
5. When the whole text has been input, press the SET button.
  - The MODE SELECT screen returns.

#### Setting using the RM-P2580

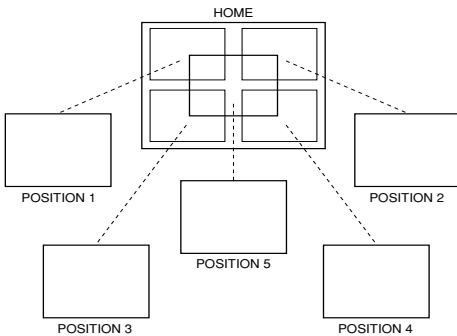
2. Use the ZOOM (TELE) or ZOOM (WIDE) button to select the position in the character input area. The position moves to the right when the ZOOM (TELE) button is pressed, and it moves to the left when the ZOOM (WIDE) button is pressed.
3. Use the PAN/TILT control lever to select the character to be input from the character area.
4. When the first character for the text has been selected, press the ZOOM (TELE) button.
  - The first character of the text is confirmed, and the second character can now be input.
5. When the whole text has been input, press the MENU button.
  - The MODE SELECT screen returns.

# SETUP MENU

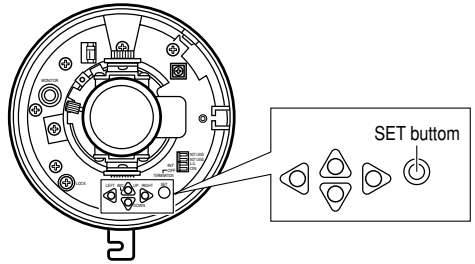
## AUTO START DEMO



MODE SELECT screen

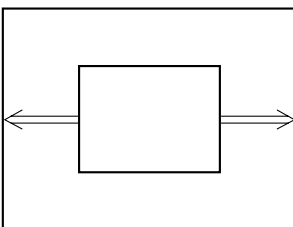


AUTO PATROL (Factory setting)  
(☞ See page 41.)

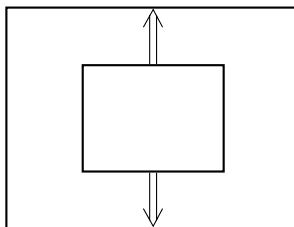


When the power is turned on, a demonstration of the zoom operation selected for the AUTO START item on the MODE SELECT screen takes place.

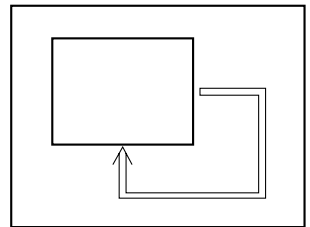
1. Select the AUTO START item on the MODE SELECT screen, and then press the SET button.
  - A zoom operation takes place in accordance with the set contents (PAN, TILT, SCROLL, PATROL). At this point, “AUTO START DEMONSTRATION” is shown on the monitor screen.
  - In the case of PATROL, the position change interval will be 10 seconds regardless of the setting.
2. Stopping the DEMONSTRATION operation
  - When using the camera body, press the SET button.
  - When using the RM-P2580, press the MENU button.
  - The MODE SELECT screen returns.



AUTO PAN

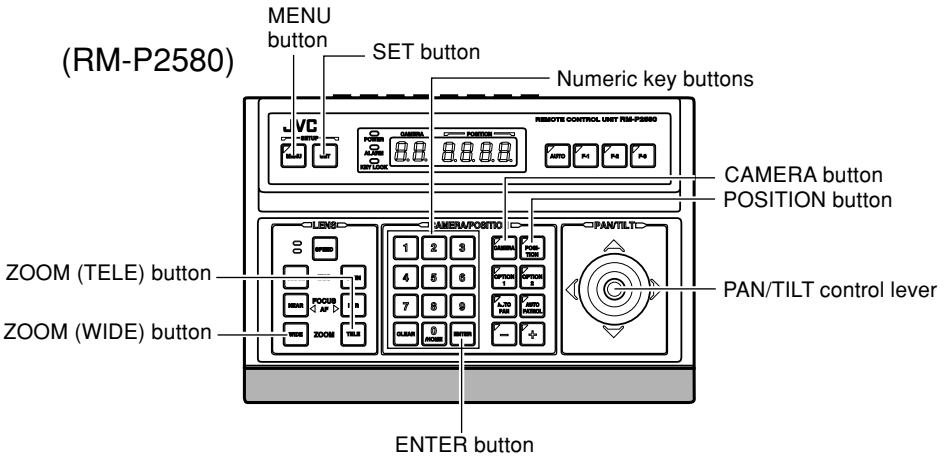


AUTO TILT



AUTO SCROLL

# POSITION TEXT Setting



```

--FUNCTION--
> POSITION TEXT EDIT..          UP-L
  POS.TEXT LOC.                UP-L
  AUTO PATROL..                PAN
  AUTO PAN MODE                PAN
  ALM.TEXT SIZE                DOUBLE
  END
  
```

FUNCTION screen

Space                      Character area

```

--POSITION TEXT--
0123456789-:/. ,
ABCDEFGHIJKLMNPO
QRSTUVWXYZ
abcdefghijklmnop
qrstuvwxyz'
ÀÖÜÄÊÏÓÛÑ
äëïóüäëïóüäëíóú
àèìòùçñßì;
  
```

SELECT TEXT>ZOOM

Text input area                      (Displayed only for E-version)

A title can be set for the registered positions for each camera. The position title can only be set by transmitting commands from the RM-P2580, etc. The position title can consist of up to 16 characters. The set characters are displayed at the bottom of the screen.

- Select the camera for which position title text should be set and select the position.
- Use the CAMERA button → Numeric key → ENTER button to select the camera.
- Use the POSITION button → Numeric key → ENTER button to select the position.

For details, see the instruction manual for the RM-P2580.

1. Align the cursor (>) with the POSITION TEXT EDIT item on the FUNCTION screen, and then press the SET button.
  - The POSITION TEXT screen is displayed on the monitor.

2. Use the ZOOM (TELE) or ZOOM (WIDE) button to select the position in the character input area.
 

The position moves to the right when the ZOOM (TELE) button is pressed, and it moves to the left when the ZOOM (WIDE) button is pressed.

# SETUP MENU

## POSITION TEXT Setting (Continued)

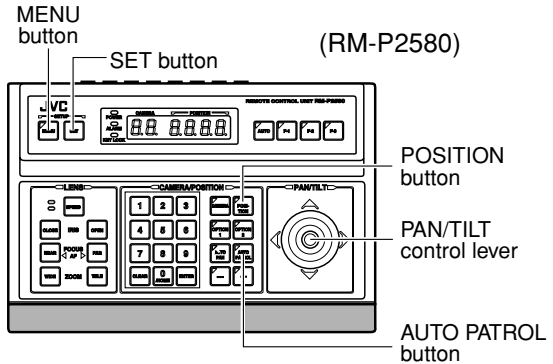
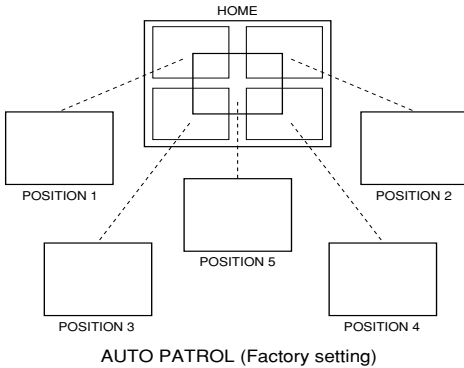
```
--POSITION TEXT--
 0 1 2 3 4 5 6 7 8 9 - : / . ,
A B C D E F G H I J K L N M O P
Q R S T U V W X Y Z
a b c d e f g h i j k l m n o p
q r s t u v w x y z '
À Ö Ù Ä Ê Î Ó Û Ç Ñ
ä è ï ò ü ä ä ê î ó ú á é í ó ú
à è ï ò ù ç ñ ß ÿ
```

SELECT TEXT > ZOOM  
POS:|;

- 3.** Use the PAN/TILT control lever to select the character to be input from the character area.
- 4.** When the first character for the text has been selected, press the ZOOM (TELE) button.
  - The first character of the text is confirmed, and the second character can now be input.
- 5.** To set other position text titles, use the POSITION button → Numeric key → ENTER button to change the position number. The repeat steps **2.** to **4.** to set the text.
- 6.** When setting of all titles is completed, press the MENU button.
  - The FUNCTION screen returns on the monitor.



# AUTO PATROL Setting



```

-- FUNCTION --
POSITION TEXT EDIT..
POS.TEXT LOC.      UP-L
> AUTO PATROL..
AUTO PAN MODE      PAN
ALM.TEXT SIZE      DOUBLE
END
    
```

FUNCTION screen

The AUTO PATROL function allows you to specify multiple positions (up to 6 positions) that the camera will move to in the specified order and observe for the specified interval. The order of movement and observation interval for the AUTO PATROL operation can only be set by transmitting commands from the RM-P2580, etc.

1. Align the cursor (>) with the AUTO PATROL item on the FUNCTION screen. Then press the SET button.
  - The AUTO PATROL setting screen appears on the monitor.

The PATROL1 to 6 items indicate the AUTO PATROL operation order.

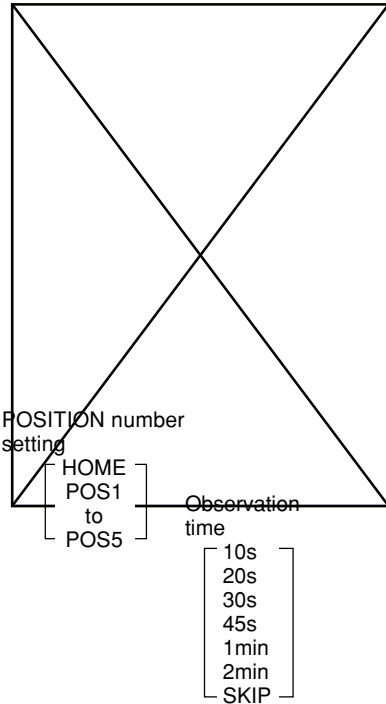
PATROL1: Specifies the first position number and the observation interval for AUTO PATROL.

⋮

PATROL6: Specifies the last position number and the observation interval for AUTO PATROL.
2. Press the PAN/TILT control lever up (▲) or down (▼) to align the cursor (>) with the PATROL No. item to be set.

# SETUP MENU

## AUTO PATROL Setting (Continued)



3. Press the POSITION button to set the position number of the selected PATROL No. item.
  4. Press the PAN/TILT control lever to the left (◀) or to the right (▶) to set the observation interval for the selected PATROL No.
    - If set to SKIP, observation will not take place at this position.
  5. Repeat steps 2. to 4. to set the position number and observation interval for all the PATROL No. items.
  6. When the AUTO PATROL setting is completed, press the MENU button or use the PAN/TILT control lever to align the cursor (>) with the END item and then press the SET button.
    - The FUNCTION screen returns on the monitor.
- To start the AUTO PATROL operation, press the AUTO PATROL button on the RM-P2580.

## SPECIFICATIONS

### ■ CAMERA

Signal system: U type based on NTSC standard

E type based on PAL standard

Image device: 1/4" IT CCD

Effective picture elements:

U type 380,000 pixels,  
768 (H) × 494 (V)

E type 440,000 pixels,  
752 (H) × 582 (V)

Sync system: Line lock/Internal

Video S/N: 50 dB (AGC OFF)

Horizontal resolution:

470 TV lines (Typ.)

Minimum illumination:

4 lx (Full wide angle, AGC 20 dB, Y: 25%)

1.5 lx (Full wide angle, AGC 20 dB, Y: 25%, no cover)

Camera ID: 24 letters

White balance: ATW/Manual/AWC

(one-push white balance)

Color temperature range  
2500K to 8000K.

Backlight compensation:

Available by adjustment of light metering area position.

### ■ LENS

Focal length: 2.6 mm to 6 mm (variable)

Max. aperture ratio:

F1.2 to F1.8

Angle of vision:

f = 2.6 mm

82° (H) × 59° (V)

f = 6 mm

35° (H) × 26° (V)

Angle adjustment range:

Horizontal: 90°

Vertical: 130°

Tilt: 30°

### ■ GENERAL

Remote control input:

RS-422A or RS-485

(non-isolated) connector

Baud rate: 9600 bit/s

Power requirement:

AC 24 V ~ 50/60 Hz or

DC 12 V

Power consumption:

U type Approx. 3.6 W

E type Approx. 300 mA

Mass:

570 g (including ceiling mount)

Operating temperature:

-10°C to 50°C (recommended: 0°C to 40°C)

Dimensions:

Approx. 112 mm diameter × 113 mm

Accessories:

U type

E type

• Instructions × 1

• Instructions × 2

• Ceiling mount × 1

• Ceiling mount × 1

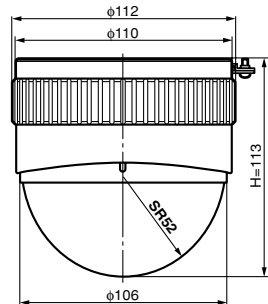
• Terminal board × 1

• Terminal board × 1

• Warranty card × 1

• Service information card × 1

### ■ External dimensions [Unit: mm]



- Design and specifications are subject to change without notice.



**JVC**® is a registered trademark owned by VICTOR COMPANY OF JAPAN, LTD.

**JVC**® is a registered trademark in Japan, the U.S.A., the U.K. and many other countries.

© 2000 VICTOR COMPANY OF JAPAN, LIMITED



Printed in Thailand  
SC96896H-001

## Free Manuals Download Website

<http://myh66.com>

<http://usermanuals.us>

<http://www.somanuals.com>

<http://www.4manuals.cc>

<http://www.manual-lib.com>

<http://www.404manual.com>

<http://www.luxmanual.com>

<http://aubethermostatmanual.com>

Golf course search by state

<http://golfingnear.com>

Email search by domain

<http://emailbydomain.com>

Auto manuals search

<http://auto.somanuals.com>

TV manuals search

<http://tv.somanuals.com>