

## High-Sensitivity 1/3" CCD Color CCTV Video Camera



### FEATURES

- Integrated Digital Signal Processor for
- Low-light Operation (0.75 lx)
- 1/3-inch IT CCD with 250,000 Effective Pixels
- 330 Lines of Horizontal Resolution
- Automatic Gain Control (AGC)
- Auto White Balance
- manual Adjustment
- S/N Ratio of 50 dB (AGC Off)
- Back-light Compensation
- Automatic Electronic Shutter

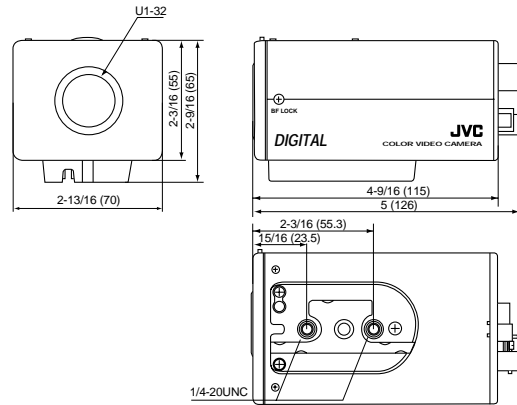
### ARCHITECTS' AND ENGINEERS' BID SPECIFICATION

The digital signal processing (DSP) super dynamic color CCD cameras shall be a JVC Model TK-C700U or equivalent. The TK-C700U camera shall incorporate a 1/3" interline transfer CCD, 250,000 [510(H) x 492(V)] pixels effective, with a microlens on each pixel, and achieve high sensitivity 0.2 fc at f/1.2, displaying outstanding 330-line horizontal resolution and a S/N ratio of 50dB. The TK-C700U camera's super dynamic CCD shall be charged with long and short charges, creating both standard shutter speeds and fast shutter speeds simultaneously, on a single image field. The CCD shall automatically apply each exposure pattern to bright and normal areas. The camera shall feature a 28MHz 10-bit digital signal processor for image processing of both long and short signals. The super dynamic CCD shall feature images with a wide dynamic range of up to 32 times. The camera shall also feature intelligent digital back light compensation, digital wide dynamic range circuit, and digital noise reduction. For better picture quality, the camera shall feature digital 2H enhancer, digital aperture correction, knee circuit and digital white detective ATW. The camera shall be CS-mount/C-mount selectable. The TK-C700U shall offer ALC/ELC, electronic shutter speed, Auto Gain Control (AGC) plus many other features. The power source for the TK-C700U shall be 24V AC, 60Hz or 12V DC. All units must be UL listed.

## Specifications

Signal system	Based on NTSC standard
Pickup device	1/3" Interline-Transfer CCD (with complementary color filter)
Number of effective pixels	250,000 (510 H x 492 V)
Video process circuit	Built-in DSP (9 bits)
Pickup area	4.8 (H) x 3.6 (V) mm
Sync system	Internal, Line Lock (60 Hz regions only)
Scanning system	2:1 interlaced, 525 lines
Scanning frequency	(H) 15.734 kHz (V) 59.94 Hz
Video output	Composite video signal: 1.0 V(p-p), 75 ohms
Video S/N	50 dB (AGC "OFF")
Horizontal resolution	330 TV lines
Minimum required illumination	0.75 lx (f1.2 AGC ON) — Video level 25% 1.5 lx (f1.2 AGC ON) — Video level 50%
Iris control	Video iris / DC iris
White balance	ATW/ Manual
BLC	ON and OFF
AES	ON and OFF
Lens mount	C/CS mount (Possible to be attached to the camera with the lens mount change function.)
Power requirement	AC 24 V (60Hz), DC 12 V
Power consumption	3.9 W
Operating temperature range	14°F to 122°F (-10°C to 50°C)
Recommended temperature range:	32°F to 104°F (0°C to 40°C)
Weight	0.8 lbs. (360g)

## Dimensions



## Free Manuals Download Website

<http://myh66.com>

<http://usermanuals.us>

<http://www.somanuals.com>

<http://www.4manuals.cc>

<http://www.manual-lib.com>

<http://www.404manual.com>

<http://www.luxmanual.com>

<http://aubethermostatmanual.com>

Golf course search by state

<http://golfingnear.com>

Email search by domain

<http://emailbydomain.com>

Auto manuals search

<http://auto.somanuals.com>

TV manuals search

<http://tv.somanuals.com>