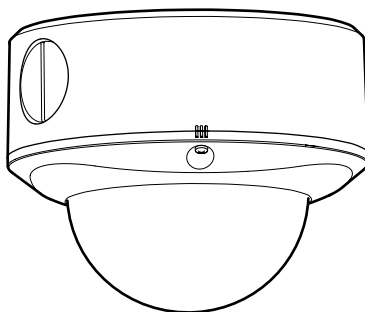


JVC

FIXED IP DOME CAMERA

VN-C215VP4U

START-UP GUIDE



For Customer Use:

Enter below the Serial No. which is located on the body.

Retain this information for future reference.

Model No. **VN-C215VP4U**

Serial No. _____

Thank you for purchasing this JVC product. Before beginning to operate this unit, please read the instructions carefully to ensure the best possible performance.

LST0530-001A

Safety Precautions

FOR USA

These are general **IMPORTANT SAFEGUARDS** and certain items may not apply to all appliances.

IMPORTANT SAFEGUARDS

1. Read all of these instructions.
2. Save these instructions for later use.
3. All warnings on the product and in the operating instructions should be adhered to.
4. Unplug this appliance system from the wall outlet before cleaning. Do not use liquid cleaners or aerosol cleaners. Use a damp cloth for cleaning.
5. Do not use attachments not recommended by the appliance manufacturer as they may cause hazards.
6. Do not use this appliance near water - for example, near a bathtub, washbowl, kitchen sink, or laundry tub, in a wet basement, or near a swimming pool, etc.
7. Do not place this appliance on an unstable cart, stand, or table. The appliance may fall, causing serious injury to a child or adult, and serious damage to the appliance.
Use only with a cart or stand recommended by the manufacturer, or sold with the appliance. Wall or shelf mounting should follow the manufacturer's instructions, and should use a mounting kit approved by the manufacturer. An appliance and cart combination should be moved with care.
Quick stops, excessive force, and uneven surfaces may cause the appliance and cart combination to overturn.
8. Slots and openings in the cabinet and the back or bottom are provided for ventilation, and to insure reliable operation of the appliance and to protect it from overheating, these openings must not be blocked or covered. The openings should never be blocked by placing the appliance on a bed, sofa, rug, or other similar surface.
This appliance should never be placed near or over a radiator or heat register. This appliance should not be placed in a built-in installation such as a bookcase unless proper ventilation is provided.
9. This appliance should be operated only from the type of power source indicated on the marking label. If you are not sure of the type of power supplied to your home, consult your dealer or local power company. For appliance designed to operate from battery power, refer to the operating instructions.
10. For added protection for this product during a lightning storm, or when it is left unattended and unused for long periods of time, unplug it from the wall outlet and disconnect the antenna or cable system. This will prevent damage to the product due to lightning and power-line surges.
11. Do not allow anything to rest on the power cord. Do not locate this appliance where the cord will be abused by persons walking on it.
12. Follow all warnings and instructions marked on the appliance.
13. Do not overload wall outlets and extension cords as this can result in fire or electric shock.
14. Never push objects of any kind into this appliance through cabinet slots as they may touch dangerous voltage points or short out parts that could result in a fire or electric shock. Never spill liquid of any kind on the appliance.
15. Do not attempt to service this appliance yourself as opening or removing covers may expose you to dangerous voltage or other hazards. Refer all servicing to qualified service personnel.
16. Unplug this appliance from the wall outlet and refer servicing to qualified service personnel under the following conditions:
 - a. When the power cord or plug is damaged or frayed.
 - b. If liquid has been spilled into the appliance.
 - c. If the appliance has been exposed to rain or water.
 - d. If the appliance does not operate normally by following the operating instructions. Adjust only those controls that are covered by the operating instructions as improper adjustment of other controls may result in damage and will often require extensive work by a qualified technician to restore the appliance to normal operation.
 - e. If the appliance has been dropped or the cabinet has been damaged.
 - f. When the appliance exhibits a distinct change in performance - this indicates a need for service.
17. When replacement parts are required, be sure the service technician has used replacement parts specified by the manufacturer that have the same characteristics as the original part. Unauthorized substitutions may result in fire, electric shock, or other hazards.
18. Upon completion of any service or repairs to this appliance, ask the service technician to perform routine safety checks to determine that the appliance is in safe operating condition.

PORTABLE CART WARNING
(symbol provided by RETAC)



FOR USA AND CANADA



CAUTION

RISK OF ELECTRIC SHOCK
DO NOT OPEN



CAUTION: TO REDUCE THE RISK OF ELECTRIC SHOCK. DO NOT REMOVE COVER (OR BACK). NO USER-SERVICEABLE PARTS INSIDE. REFER SERVICING TO QUALIFIED SERVICE PERSONNEL.



The lightning flash with arrowhead symbol, within an equilateral triangle is intended to alert the user to the presence of uninsulated "dangerous voltage" within the product's enclosure that may be of sufficient magnitude to constitute a risk of electric shock to persons.



The exclamation point within an equilateral triangle is intended to alert the user to the presence of important operating and maintenance (servicing) instructions in the literature accompanying the appliance.

INFORMATION (FOR CANADA) RENSEIGNEMENT (POUR CANADA)

This Class A digital apparatus complies with Canadian ICES-003.

Cet appareil numérique de la Classe A est conforme à la norme NMB-003 du Canada.

WARNING (FOR EUROPE):

This is a Class A product. In a domestic environment this product may cause radio interference in which case the user may be required to take adequate measures.

Information for USA

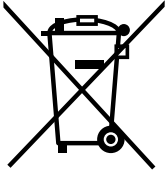
This device complies with part 15 of the FCC Rules. Changes or modifications not approved by JVC could void the user's authority to operate the equipment.

This equipment has been tested and found to comply with the limits for a Class A digital device, pursuant to Part 15 of the FCC Rules. These limits are designed to provide reasonable protection against harmful interference when the equipment is operated in a commercial environment. This equipment generates, uses, and can radiate radio frequency energy and, if not installed and used in accordance with the instruction manual, may cause harmful interference to radio communications. Operation of this equipment in a residential area is likely to cause harmful interference in which case the user will be required to correct the interference at his own expense.

This device complies with Part 15 of the FCC Rules. Operation is subject to the following two conditions: (1) This device may not cause harmful interference, and (2) this device must accept any interference received, including interference that may cause undesired operation.

Due to design modifications, data given in this instruction book are subject to possible change without prior notice.

Safety Precautions (continued)



Attention:

This symbol is only valid in the European Union.

Information for Users on Disposal of Old Equipment

[European Union]

This symbol indicates that the electrical and electronic equipment should not be disposed as general household waste at its end-of-life. Instead, the product should be handed over to the applicable collection point for the recycling of electrical and electronic equipment for proper treatment, recovery and recycling in accordance with your national legislation.

By disposing of this product correctly, you will help to conserve natural resources and will help prevent potential negative effects on the environment and human health which could otherwise be caused by inappropriate waste handling of this product. For more information about collection point and recycling of this product, please contact your local municipal office, your household waste disposal service or the shop where you purchased the product.

Penalties may be applicable for incorrect disposal of this waste, in accordance with national legislation.

(Business users)

If you wish to dispose of this product, please visit our web page www.jvc-europe.com to obtain information about the take-back of the product.

[Other Countries outside the European Union]

If you wish to dispose of this product, please do so in accordance with applicable national legislation or other rules in your country for the treatment of old electrical and electronic equipment.

Dear Customer,

This apparatus is in conformance with the valid European directives and standards regarding electromagnetic compatibility and electrical safety.

European representative of Victor Company of Japan Limited is:
JVC Technology Centre Europe GmbH
P.O.Box 10 05 52
61145 Friedberg
Germany

Sehr geehrter Kunde, sehr geehrte Kundin,

dieses Gerät stimmt mit den gültigen europäischen Richtlinien und Normen bezüglich elektromagnetischer Verträglichkeit und elektrischer Sicherheit überein.

Die europäische Vertretung für die Victor Company of Japan, Limited ist:
JVC Technology Centre Europe GmbH
Postfach 100552
61145 Friedberg
Deutschland

- The unit is to be powered by a DC 12 V power supply.
- The unit is to be powered by a UL Listed DC12 V power supply. (For U type)
- The 12 V DC power supply shall conform to the following: Class 2 only (For USA), Isolated power supply only (For Europe).
- This installation should be made by a qualified service person and should conform to all local codes.
- This installation shall be in accordance with the National Electrical Code, ANSI/NFPA 70.
- Any Mention in this manual of Alarm inputs have not been evaluated by UL to be used for Burglar Alarm Functionality.
- Special technique is required when installing this product. Please refer to your dealer for installation.
- Rating label is pasted at the bottom of the camera.
- JVC is not liable for any compensation if you drop the camera due to insecure mounting by not following the installation description. Pay careful attention during installation.
- When mounting this product to a ceiling or wall, select a location strong enough to support the weight of this camera. If the location is not strong enough to support the weight, be sure to reinforce the ceiling or wall before installation.
- The camera may drop if the mounting screws or pipings are not tightened securely. Check that the screws are tightened appropriately and securely.
- Do not install the camera near lighting fixtures of high temperature, such as spot lights. It might result in failure or fires.

This START-UP GUIDE basic usage of VN-C215VP4U.

For detailed usage of VN-C215VP4U, please refer to "INSTRUCTIONS".

For latest information, please refer to "Readme" file in the supplied CD-ROM.

- The supplied CD-ROM includes [INSTRUCTIONS (this manual)] (pdf), [API Guide] (pdf) and [Search Tool].
- To view file in pdf format, the installation of "Adobe Reader" on the Computer is required.

- Before starting an important recording, be sure to perform a test recording in order to confirm that a normal recording is possible.
- We do not accept liability for the loss of a recording in the case of it becoming impossible to record due to a problem in the video camera, VTR, hard disk recorder or video tape.
- Make sure you touch the metal surface of the [MONITOR] terminal to release the static electricity in your body before adjusting the camera shooting direction.

Introduction

Main Features

■ High anti-dust and waterproof performance

The anti-dust and waterproof mechanism allows outdoor installation as the camera is not affected by rain.
(IP66 specifications)

■ High Picture Quality

The camera unit employs a 380,000-pixel CCD (1/4") which enables high quality image monitoring.

■ Wide shooting range

The adjustment range of the shooting direction is wide and the camera can be mounted on a wall with the use of a rotation adjustment mechanism.

■ Unblocked Design

The dome-shaped design enables ease of use without being blocked by the camera.

■ High-power varifocal lens

The built-in varifocal lens (optical zoom 3.6x) makes detailed surveillance possible.

■ Night surveillance

This product comes with a low luminance feature (Easy Day and Night), which switches automatically to the high sensitivity mode (black-and-white) under low illumination.

■ Support for PoE (Power over Ethernet)

This product supports PoE (IEEE802.3af) and enables power supply from a LAN cable.

■ Realization of Full Frame Rate

Data transmission is possible in VGA size at a rate of 30 fps.

■ Built-in Web Server

Setting is possible using the Internet Explorer.

■ Support for Multicast

This product supports multicast, which enables transmission of an image data to multiple computers on the network without lowering the frame rate.

■ Motion Detection Feature

This feature enables output of an alarm upon detection of motion in the image within a preset area.

Pre-recorded/post-recorded image files can be sent via FTP using the alarm input.

■ Built-in Viewer


Monitoring via a computer is possible by downloading the built-in viewer onto the computer.

■ HTTP-based API

This product comes with a HTTP-based API. This feature enables setting and control via the network.

How to view this manual

■ Symbols used

- Note** : Describes items concerning the operation of this product.
- Memo** : Describes reference information, such as functions and usage restrictions of this product.
-  : Indicates the reference page numbers and reference items.

■ About the contents of this manual

- All rights reserved by JVC. Unauthorized duplication or reprinting of this manual, in whole or in part, is strictly prohibited.
- Windows is a registered trademark of Microsoft Corporation in the U.S.
- All other product names used in this manual are trademarks or registered trademarks of their respective companies. Note that marks such as TM, ® and © have been omitted in this manual.
- Illustrated designs, specifications and other contents of this manual are subject to change for improvement without prior notice.

Contents

Introduction

Safety Precautions	2
Main Features	6
Contents	7
Operating Environment	8
Cautionary Notes	8
Name and Function of Parts	10
Features	14

Setup

Procedures	16
Removing the dome cover	17
Mounting the base	17
Cable connection	18
Mounting the camera	19
Mounting the camera via electrical box	21
Mounting the camera via piping	22
Power Connection	24
Base GND cable connection	25
Heater cable connection	26
LAN Cable Connection	26
Alarm Input/Output Cable Connection	27
Adjusting Images	28
Mounting the inner dome	30
Mounting the dome cover	30

Setting

Network Requirements	32
IP Address Settings	33

- For Setting Using Internet Explorer, please refer to the [INSTRUCTIONS] (pdf) in the supplied CD-ROM.

Operation

Operation of Built-in Viewer	39
Setting Up the Internet Explorer	40
Installing the built-in viewer	42
Screen Configuration of Built-in Viewer	43
Quitting the Built-in Viewer	44
Shortcut for Built-in Viewer	44

Others

Specifications	45
----------------------	----

Operating Environment

■ PC Specification Requirements

OS	: Windows XP (Professional or Home Edition) (SP2)
CPU	: Pentium4 1.5 GHz (or higher)
Memory	: 1 GB and above
Hard disk space	: Free space of 20 MB and above
Video Card	: 1024 × 768 pixels or higher, True Color (24 or 32 bits)
Web browser	: Internet Explorer Version 6.0

■ LAN Environment

- 10BASE-T/100BASE-TX(PoE) network interconnected using an IEEE802.3-compliant switching hub.
- IEEE802.3af-compliant switching hub when PoE is in use.
- IGMPv2-compliant network when multicast is in use.

Memo : _____

- The above PC specifications are merely guides for smooth use of the applications, and not a guarantee of their operation.
 - Depending on the condition of use, applications may not run smoothly even when the user's computer meets the specification requirements.
-

Cautionary Notes

Maintenance and operating environment

- Do not store in the following environments. It might result in malfunctions or failure.
 - Hot or cold locations beyond the surrounding temperature range of -10°C to 50°C.
 - Locations beyond the allowable operating humidity range of 35%RH to 85%RH. (condensation is not allowed)
 - Near equipment that produces strong magnetic fields, such as transformers or motors.
 - Near equipment that emits radio waves, such as transceivers and mobile phones.
 - Locations with excessive dust and sand.
 - Locations that are subject to excessive vibration.
 - Locations prone to moisture such as window side.
 - Locations subject to steam or oil, such as kitchens.
 - Locations that emit radiation, X-rays or corrosive gases.
- Use of this product and cables connected to this product at locations where strong electric waves and magnetic waves are generated (e.g., near radio, TV, transformer, motor, etc.) may cause noise interferences in the images or changes in the color.
- Do not install at locations where cold air is circulated, such as near the air vent of an air conditioner. The drastic change in temperature may fog up the dome cover.
- Do not install at locations that may trap heat. This product also discharges heat from the surface. As such, do not install it at locations that may trap heat, such as wall corners.
- Compliance to IP66 standards does not guarantee that the product is free from water seepage under any environment.

Handling of Equipment

- Do not block vents around the equipment. Inadequate heat ventilation may result in malfunction of this product. Be sure not to block vents around the product.

Others

- This product has a built-in AGC circuit. When AGC is “On”, the product sensitivity increases automatically at dark places and the image on the screen may appear grainy. This is not a malfunction.
- When White Balance is set to “Auto”, the principle of automatic tracking white balance circuit may cause the color of the image to be different from the actual color of the object, depending on the condition of the object. However, this is not a malfunction.
- If a high-intensity object (such as a lamp) is shot, vertical lines may appear on the image (smear phenomenon) or blurring may occur around the high-intensity object (blooming phenomenon). This is a CCD characteristic and is not a malfunction.
- The electronic shutter of this product is set to 1/60 by default. To prevent flickering under fluorescent lighting (except inverter illumination) in a location with commercial power frequency of 50 Hz, switch the shutter speed to 1/100. (The sensitivity decreases a little when the shutter speed is 1/100.)
- When Easy Day and Night is set to “On”, the image becomes black and white in dark locations. As the sensitivity is increased at this time, the screen may appear grainy and white spots may also increase. In addition, when color images are changed to black and white, bright areas of the screen are emphasized and they may be difficult to see. However, this is not a malfunction.
- The image may be distorted or be mixed with noises when the power voltage is cut off instantaneously or is lowered by a lightning strike or by switching on an air conditioner.
- When this product is moved from a cold place to a warm room, condensation may occur and the product may not operate properly. In this case, leave it for an hour under room temperature before turning on the power.
- The rotation angle of this product is set to wide angle to support wide range equipment. When the lens zoom is wide and the tilt angle is approximately $\pm 70^\circ$, the rotation angle may cause part of the product to be reflected in the image. In this case, adjust the field angle if required. (Pg. 28)

- To prevent fogging caused by temperature changes, be sure to put the supplied silica gel at the specified location. (Pg. 20)
- When multicast is in use, use the IGMPv2-compliant network switch.
- Electricity can be supplied to this product either by using the PoE or connecting to the DC12 V power supply. Make sure to select only one mode of electrical supply. Connecting the power cable and the LAN cable for the PoE at the same time may result in failure or malfunction of the camera. (Pg. 24)(Pg. 25)

Copyrights of video

- With the exception of the user being the copyright holder or when permission has been granted concerning duplication, etc. by the copyright holder, permission is required in principle for the duplication, modification, transmission, etc. of copyrighted video/audio. Unauthorized duplication, modification, transmission, etc. of copyrighted material may constitute a copyright infringement and the user may be liable to compensate for any damages. When using copyrighted video/audio, be sure to check thoroughly the license agreement, etc. of the copyrighted material. When there are rights or rights holders of the duplicating subject, permission may be required for shooting or using (processing) it. Be sure to check thoroughly the licensing conditions.

Maintenance

- Be sure to turn off the power before performing maintenance.
- Wipe off dirt on the dome cover with a lens-cleaning cloth or a soft cloth. Wiping with thinner or benzene may dissolve or tarnish its surface. For dirt that cannot be easily removed, wipe using a neutral detergent diluted with water, followed by wiping with a dry cloth.

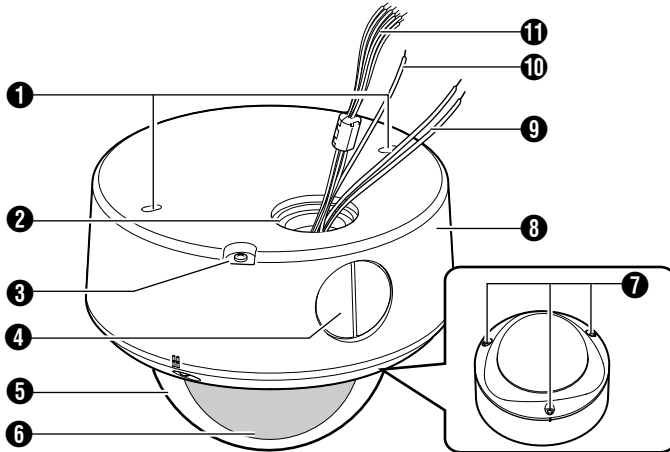
Saving Energy

- When not in use for a long period, turn off the power of the system to prevent risk and to reduce power consumption.

Introduction

Name and Function of Parts

Camera unit



❶ Mounting hole × 2

Use these when mounting the base to the ceiling, wall or electrical box.

(Pg. 17) (Pg. 21)

Note:

- To mount the camera using an electrical box, please check with your dealer or nearest JVC servicing center.

❷ Holes for connection cable and piping

This hole is for pulling out the connection cable. You can also use this hole to mount the camera directly on the piping. (Piping hole: G3/4-14UNC)

(Pg. 22)

❸ Fall-prevention wire mounting screw

This is used to mount the fall-prevention wire to the camera. (The fall-prevention wire is not supplied.)

Note:

- Connect the fall-prevention wire to prevent the camera from dropping.

❹ Piping hole plug/Piping hole (side)

This is used to mount the camera directly on the piping from the side. A piping hole plug is attached to this hole by default. (Pg. 23)

❺ Dome cover

The dome cover is fragile. Take care when handling it.

❻ Inner dome

Before mounting the camera, remove it and perform image angle setting.

(Pg. 17)

❼ Dome cover fastening screw

These are fastening screws for the dome cover.

❽ Base

Mount the base to the ceiling, wall or electrical box before mounting the camera.


(Pg. 17) (Pg. 21)

9 Power cable for heater (AC 24 V)
(Gray, White)



Note: _____

- When installing a heater (sold separately: KA-ZH215) to this product, be sure to connect to AC 24 V.
- The AC 24 V power supply should conform to the following : Class 2 only (For USA), Isolated power supply only (For Europe).
- Please consult your nearest JVC dealer regarding heaters.

10 Base GND cable (Purple)

( Pg. 25)

11 Power supply/Alarm signal cable

( Pg. 24)( Pg. 27)

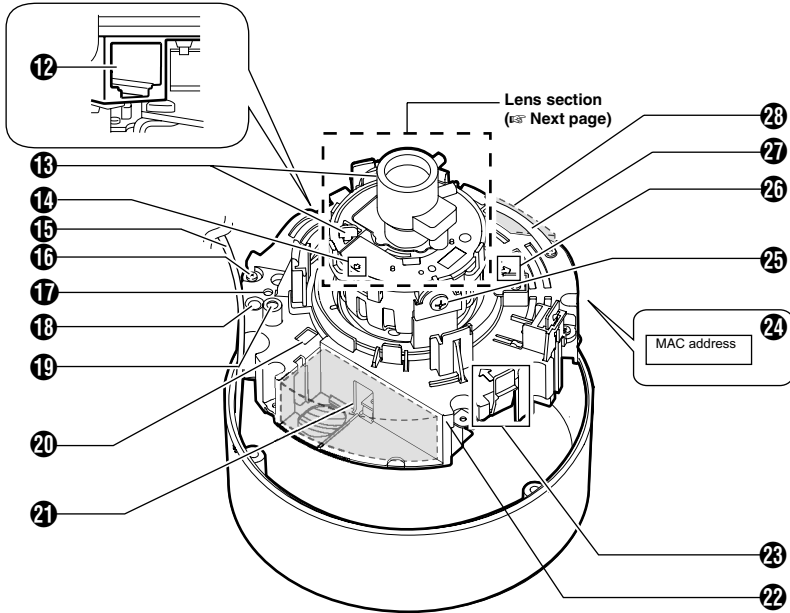
Signal name	Cable color
Alarm input 1	Pink
Alarm input 2	Blue
Alarm output 1	Orange
Alarm output 2	Yellow
GND	Brown
DC 12 V power supply+	Red
DC 12 V power supply-	Black

Note: _____

- Do not use PoE together with DC 12 V power supply. Simultaneous connection will cause failure or malfunction.

Name and Function of Parts (continued)

Inside the camera



12 [10BASE-T/100BASE-TX(PoE)]

10BASE-T/100BASE-TX terminal

This is a 10BASE-T/100BASE-TX terminal. It connects to the network via LAN cable. (see Pg. 26)

13 Rotation Knob

This knob rotates the lens section and adjusts the tilting of the image. (see Pg. 28)

14 Rotation center mark

(see Pg. 28)

15 Fall-prevention wire

It connects the base 8 to the dome cover 5.

16 Camera Fastening Screw × 2

This secures the camera unit 20 and the base 8. How to remove (see Pg. 17)

17 [RESET] Reset button

This is a button for rebooting the camera. Press this button and release within 5 seconds to reboot the camera. It takes about 1 minute for the camera to reboot. During startup, [RESET] button is disabled.

Note:

- Pressing the [RESET] button for 5 seconds or longer switches the camera to the service verification mode. Do not press the button for 5 seconds or longer.

18 Status indicator

This indicator appears blinking when the power is turned on and turns off when the camera startup is completed. Check the camera or the connected device if the indicator remains blinking when the camera is in use.

19 [MONITOR] Monitor terminal (RCA pin)

(Pg. 28)

20 Heater power connector

This power connector is used when the camera is installed with a heater (sold separately: KA-ZH215).

21 Heater space

Memo:

- When mounting the heater (sold separately :KA-ZH215), read the instruction manual of the heater carefully before mounting.

22 Camera unit

23 Camera Fastening Claw × 2

This claw fastens the camera unit to the base. To remove the base, push it towards the direction of the arrow and remove. (Pg. 17)

24 [MAC address] MAC address indicator

The MAC address is a unique physical address of the product. This address cannot be altered.

25 Tilt fastening screw

After adjusting the field angle, tighten the screw so that the camera field angle will not be misaligned when using the camera in locations with vigorous vibrations. (Pg. 28)

26 Imaging Direction mark

Install the camera facing the arrow in the shooting direction.

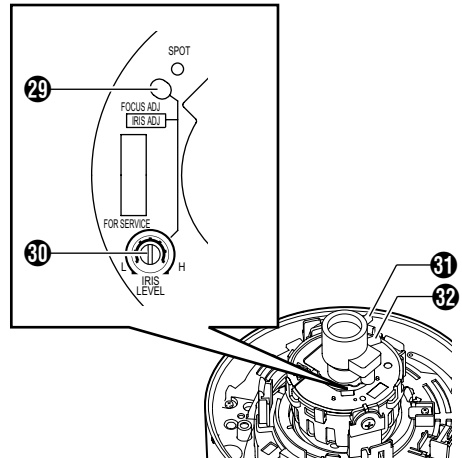
27 Lug plate

This plate fastens the silica gel. (Pg. 20)

28 Silica gel insertion space

(Pg. 20)

Lens section



29 [FOCUS ADJ] Focus adjustment button

This is used to adjust the lens focus.

Press the button to open the lens iris for 30 seconds. The focus is now easier to adjust as the depth of field becomes shallow. (Pg. 29)

Memo:

- Pressing the focus adjustment button automatically activates the electronic shutter. The screen may flicker but this is not a malfunction.

30 [IRIS LEVEL] Iris level adjustment dial

This dial adjusts the iris level of the auto iris lens. Normally, adjustment is not required. Adjust if required, depending on the conditions of the object.

To darken: Anti-clockwise direction (towards L)

To brighten: Clockwise direction (towards H)

Memo:

- Adjust the iris level after [AGC] is set to "Off". For "AGC function settings", please refer to the [INSTRUCTIONS](pdf) in the supplied CD-ROM.
- If "Off" is not set, turning the dial towards L will activate the AGC function. The camera sensitivity increases and the image quality becomes grainy.

31 Focus adjustment ring

Move the ring to the left and right to adjust the focus. (Pg. 29)

32 Zoom adjustment ring

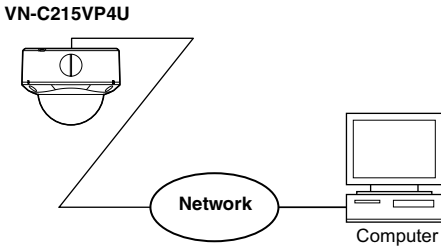
Move the ring to the left and right to adjust the field angle. (Pg. 29)

Introduction

Features

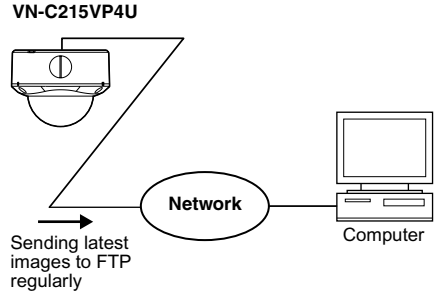
Monitoring Via Built-in Viewer

VN-C215VP4U comes with a built-in ActiveX viewer. Monitoring of VN-C215VP4U images using the computer is possible by installing this built-in viewer on the computer. Images that are currently displayed may also be captured in the computer's hard disk. "Operation of Built-in Viewer" (Pg. 39)



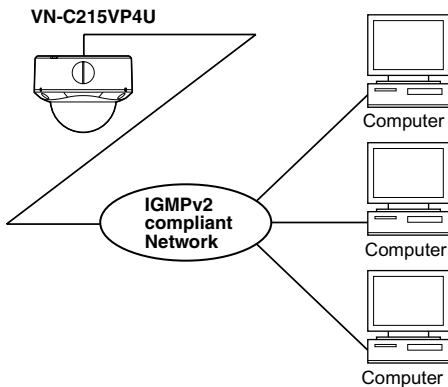
Saving JPEG images to the FTP server at regular intervals

JPEG images may be uploaded to the FTP server at regular intervals.



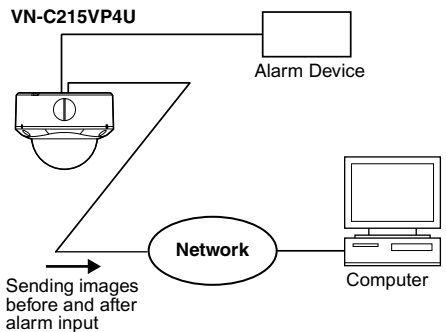
Monitoring Via Multicast

Monitoring using multiple computers is possible via multicast.



Alarm

VN-C215VP4U comes with a motion detection feature and dual alarm input. By motion detection or alarm input, action such as mail delivery, message transmission via TCP/UDP, alarm output can be triggered. Combination of alarm inputs can be trigger. Installing an FTP server enables uploading of images before and after the alarm input time (pre-/post-recording) to the server.



Restrictions on Clients

It is possible for VN-C215VP4U to permit or deny image acquisition of designated IP addresses.

Control via customized application software

The following uses are also possible by developing a customized application software that supports the API of VN-C215VP4U. For details, please refer to the [API Guide] in the attached CD-ROM.

- Monitoring via the computer while at the same time recording images to the HDD.
- Recording by changing the frame size/frame rate during alarm occurrence.
- Recording the type and time of alarm occurrence to the computer.

- For detailed usage of VN-C215VP4U , please refer to [INSTRUCTIONS] (pdf) in the supplied CD-ROM.

Setup

Procedures

The connection and setup procedures are described as below.

- Make sure you touch the metal surface of the [MONITOR] terminal to release the static electricity from your body. Static electricity may cause the camera to malfunction.
- Make sure that various parts of the camera do not drop on the floor when mounting the base to the ceiling or connecting the cable of the camera unit.
- When mounting the heater (sold separately : KA-ZH215), read the instruction manual of the heater carefully before mounting.

step 1

Setup (📖 Pg. 16)

Mount the camera and configure image settings.



step 2

Network Settings (📖 Pg. 32)

Configure the network settings of the computer and this camera.



step 3

Internet Explorer Settings

※ For details, please refer to the [INSTRUCTIONS](pdf) in the supplied CD-ROM.



step 4

Operation of Built-in Viewer (📖 Pg. 39)

Monitoring and still image saving operations are possible using the built-in viewer.

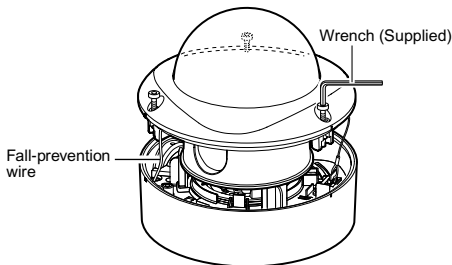
Removing the dome cover

1. Remove the dome cover

Loosen the dome cover fastening screws (x3) with the wrench (supplied) and remove the dome cover.

Memo:

- The dome cover is connected to the base via a fall-prevention wire.

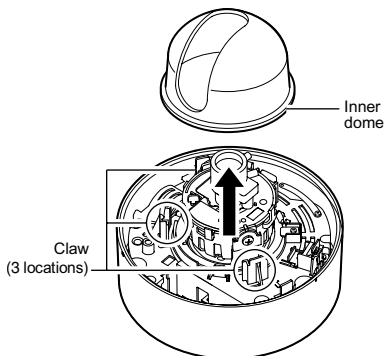


2. Remove the inner dome

The inner dome is secured by 3 claws. Remove the inner dome from the claws.

Note:

- Make sure you touch the metal surface of the [MONITOR] terminal to release the static electricity from your body. Static electricity may cause the camera to malfunction.

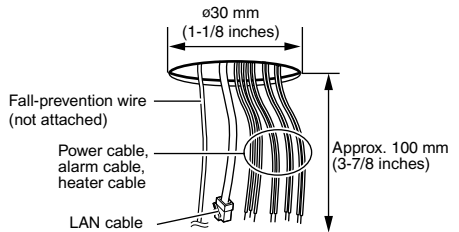


Mounting the base

Remove the camera unit from the base and mount the base to the ceiling or wall. To mount on a wall, use the same procedures below but replace the word "ceiling" with "wall".

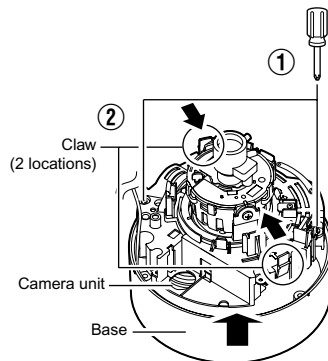
Setup

If necessary, use the attached template to drill a hole ($\varnothing 30$ mm, 1-1/8 inches) for mounting.



1. Remove the camera unit from the base

- ① Loosen the camera fastening screws (x2) with the screw driver.
- ② Remove the camera from the base while pressing in the two claws.



Setup

Mounting the base (continued)

2. Mount the fall-prevention wire to the base (The fall-prevention wire is not attached)

Remove the fall-prevention wire mounting screw of the base and mount the fall-prevention wire.

Note:

- Also pay careful attention to the length, strength, wiring and material (insulation quality) of the fall-prevention wire to be used.
- For the fall-prevention wire, the inside diameter of the ring section to be mounted on the camera unit should be between $\phi 4.1$ mm and $\phi 6.5$ mm, and the outside diameter should be below $\phi 12$ mm.

3. Mount the fall-prevention wire to a strong location.

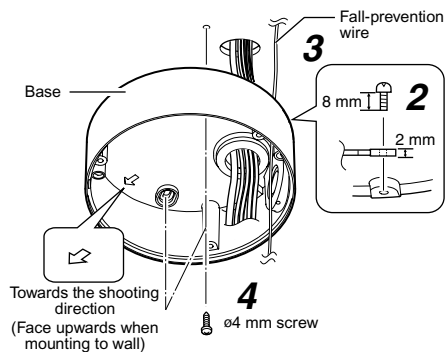
Mount the fall-prevention wire to a strong location to prevent fall.

4. Mounting the base

Face the imaging direction mark inside the base ($\hat{\uparrow}$) in the shooting direction and mount the base. When mounting to a wall, face the imaging direction mark ($\hat{\uparrow}$) upwards. Use two $\phi 4$ mm screws for mounting.

Note:

- When mounting to a wall, be sure to face the imaging direction mark ($\hat{\uparrow}$) upwards.
- $\phi 4$ mm screws are not supplied. Use the appropriate type according to the material of the location for mounting.
- The two attached screws (M4 \times 8 mm) are for mounting the base to the adapter plate. Do not use them here.



Cable connection

1. Connect the LAN cable (Pg. 26)

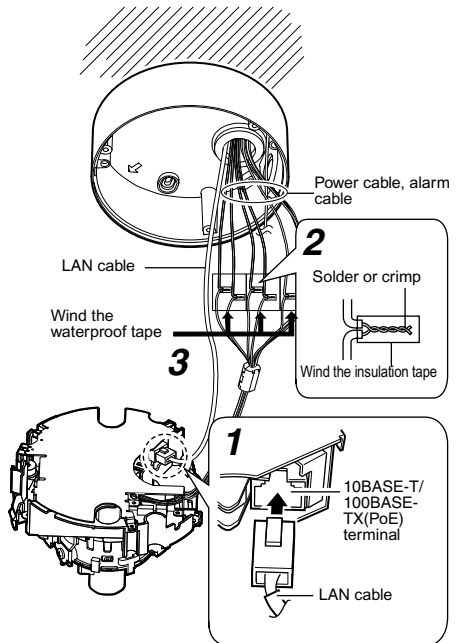
2. Connect the power cable, alarm cable and heater cable

(Pg. 24)(Pg. 26)(Pg. 27)

Memo:

- The power cable must not be connected when PoE is used.
- When the camera is installed with a heater (sold separately: KA-ZH215), be sure to connect it to AC 24 V power supply.
- The AC 24 V power supply should conform to the following : Class 2 only (For USA), Isolated power supply only (For Europe).

3. Wind the waterproof tape



Note:

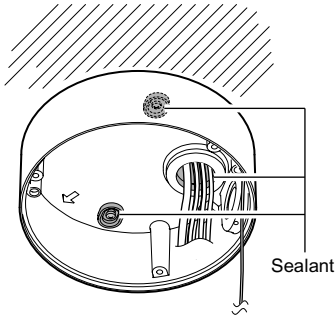
- Be careful not to drop the camera when it is removed from the base.

Mounting the camera

Fill up the piping hole and mounting hole with sealant, mount the camera to the base and insert silica gel.

1. Fill up the holes with sealant

Use sealant to fill up the mounting holes (x2) to which the piping hole and screws are mounted.



Memo:

- Use GE silicon or other equivalent for the sealant.

Note:

- If the mounting holes (x2) are not completely sealed up with sealant, water or moisture may seep in and fog up the lens and dome cover. Seal up these holes completely.

2. Mount the camera to the base

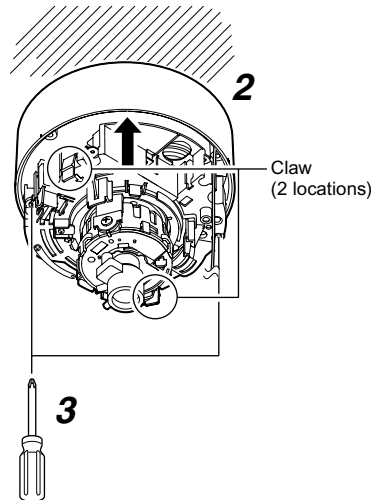
Push in the two claws until you hear a click sound.

Note:

- Mount the camera such that the cables and fall-prevention wire of the dome cover are not caught in between.

3. Secure the camera with the camera fastening screws (x2).

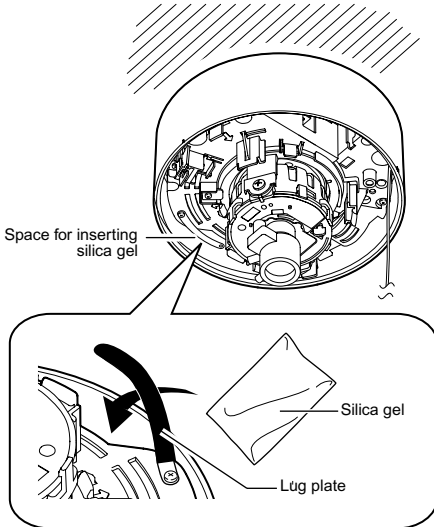
Tighten the camera fastening screws (x2) with the screw driver and secure the camera.



Mounting the camera (continued)

4. Insert the supplied silica gel

Take out the silica gel from its aluminum pack, insert it in the space for silica gel inside the camera and secure with a lug plate.



Memo:

- Be sure to replace the silica gel when you reconnect or reinstall the camera during repair or maintenance.
- For replacement, please consult your nearby JVC's dealer.
Use silica gel of service parts number LW40500-001A for the parts to be replaced.

Note:

- Pay attention that rain does not seep into the camera when mounting it during rainy days.
 - Be sure to use the supplied silica gel. Failure to do so may fog up the camera lens or dome cover.
 - If the field angle is not adjusted immediately after mounting the camera, insert the silica gel after adjustment. The silica gel will lose its effect if it is exposed to air for a long time.
-

Mounting the camera via electrical box

Mount the base to an electrical box.

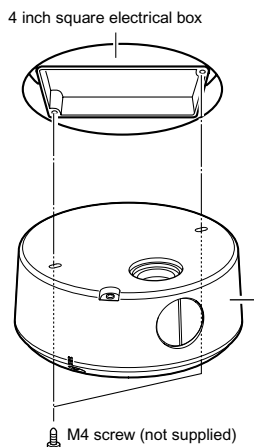
1. Remove the camera unit from the base (☞ Pg. 17)

2. Mount the base to the electrical box

Use two mounting holes and two M4 screws to mount the base to the electrical box.

Memo:

- M4 screws are not supplied.



3. The following procedures are the same as normal mounting

- Cable connection (☞ Pg. 18)
- Mounting the camera to the base (☞ Pg. 19)
- Image adjustment (☞ Pg. 28)
- Mounting the inner dome (☞ Pg. 30)
- Mounting the dome cover (☞ Pg. 30)

Setup

Mounting the camera via piping

Use a piping hole to mount the camera.

Use the piping hole at the bottom of the base to mount the camera

1. Remove the camera unit from the base (☞ Pg. 17)
2. Mount the fall-prevention wire to the base (☞ Pg. 18)
3. Wind the seal tape

Wind the joint (where the threaded portion of the piping hole and the tapped hole of the piping meets) of the piping with seal tape for more than 2 rounds.

4. Mount the base to the piping

Turn the base in a clockwise direction and screw into the piping. (Piping hole: G3/4-14 UNC)

Note:

- Do not screw in the piping for more than 12 mm deep. Otherwise, it may damage the internal parts of the camera.

5. Secure the base to the ceiling

Use \varnothing M4 mm screws (x2) to secure the base tightly to the ceiling.

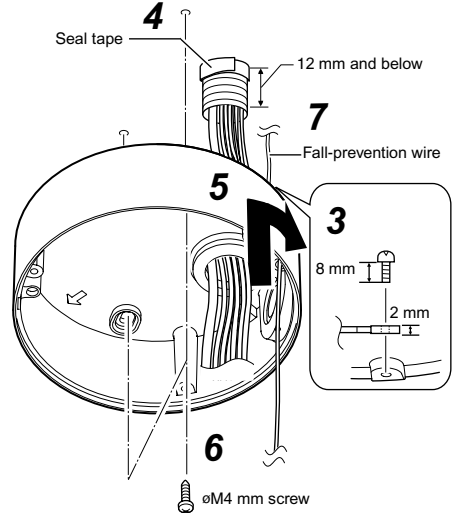
- Check that there is no gap between the ceiling and the base.

Note:

- \varnothing M4 screws are not supplied. Use the appropriate type according to the material of the location for mounting.
- The two attached screws (M4 \times 8 mm) are for mounting the base to the adapter plate. Do not use them here.

“Mounting the camera via electrical box”
(☞ Pg. 21)

6. Mount the fall-prevention wire to a strong location (☞ Pg. 18)



7. The following procedures are the same as normal mounting

- Cable connection (☞ Pg. 18)
- Mounting the camera to the base (☞ Pg. 19)
- Image adjustment (☞ Pg. 28)
- Mounting the inner dome (☞ Pg. 30)
- Mounting the dome cover (☞ Pg. 30)

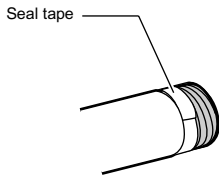
Using the piping hole at the side of the base to mount the camera

When the camera is not directly mounted on a ceiling, use the piping hole at the side of the base to mount the camera to the piping.

1. Remove the camera unit from the base and mount the fall-prevention wire (☞ Pg. 17)(☞ Pg. 18)

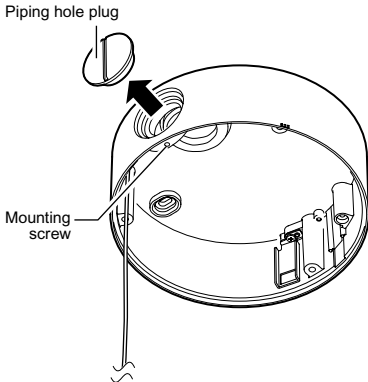
2. Wind the seal tape

Wind the joint (where the threaded portion of the piping hole and the tapped hole of the piping meets) of the piping with seal tape for more than 2 rounds.



3. Remove the piping hole plug of the base

Loosen the mounting screw (M3 x 6 mm) with a straight slot screw driver and pull out the plug from the side of the base.



4. Mount the piping hole plug to the piping hole at the bottom of the base

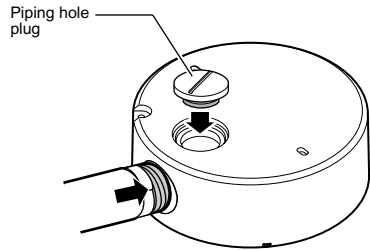
5. Mount the base to the piping

Screw the piping into the piping hole at the side of the base.

(Piping hole: G3/4-14 UNC)

Note:

- Do not screw in the piping for more than 12 mm deep. Otherwise, it may damage the internal parts of the camera.



6. The following procedures are the same as normal mounting

- Cable connection (☞ Pg. 18)
- Mounting the camera to the base (☞ Pg. 19)
- Image adjustment (☞ Pg. 28)
- Mounting the inner dome (☞ Pg. 30)
- Mounting the dome cover (☞ Pg. 30)

Warning

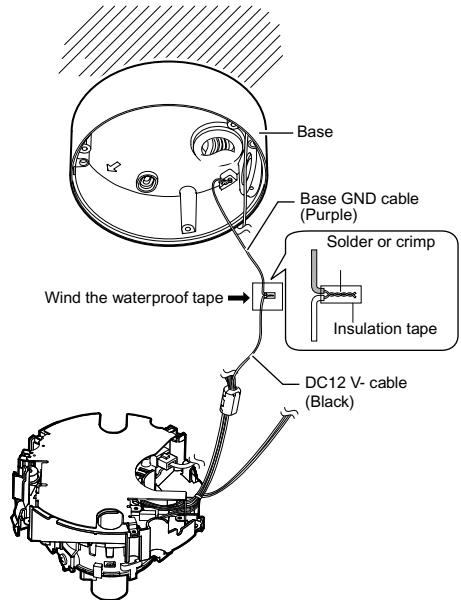
The rated power of this product is DC12 V. Make sure to use it with the correct voltage. Supplying a power different from the rated value may result in failures and in the worst scenario, smoking and fire.

Memo:

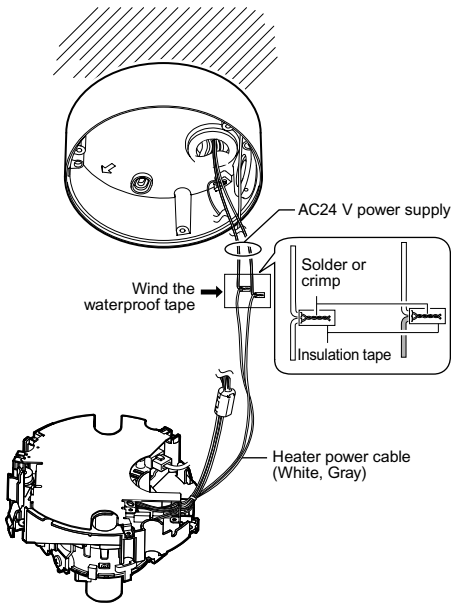
- In a system where multiple units of VN-C215VP4U are used, turn on the power of only 1 unit to configure the IP address settings via the Internet Explorer. Upon doing so, turn on the power of the second unit and configure accordingly. Configure the camera settings using the same procedure.
- Whenever duplication of IP addresses occurs, check that there is only one VN-C215VP4U under the same LAN environment and wait for at least 10 minutes. Access to VN-C215VP4U may be denied unless you restore the power supply of all network devices under the same LAN environment.
- To use AA-P700 in the power supply unit, connect one unit of this product. Also refer to the AA-P700 instruction manual.

Base GND cable connection

To mount the camera to the base at a location insulated from the ground, connect DC12 V- (Black) cable with the base GND cable (Purple).



Heater cable connection



Note:

- When installing a heater unit (sold separately: KA-ZH215) to this product, be sure to connect to AC 24 V.
- When installing a heater unit (sold separately: KA-ZH215), read the heater instruction manual carefully before installing.
- The AC 24 V power supply should conform to the following : Class 2 only (For USA), Isolated power supply only (For Europe).
- Please consult your nearest JVC dealer regarding heaters.

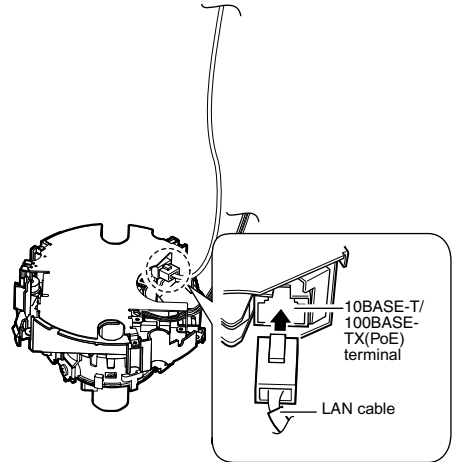
● About heater cables

Maximum extension	40 m (130 ft)	120 m (390 ft)	180 m (590 ft)
Conductor Diameter (mm)	ø1.0	ø1.6	ø2.0

LAN Cable Connection

Connect the camera to a hub or computer using a LAN cable.

- **When connecting to a hub**
Make use of a straight cable.
- **When connecting to a computer**
Make use of a Cross Over cable.



Note:

- Cross cables cannot be used with some computer models. When connecting VN-C215VP4U directly to a computer, make sure to check the computer's LAN specifications in advance.

Memo:

- Sealed cables are recommended for outdoor use.
- Make use of a Category 5 (or higher) cable in the case of 100BASE-TX.

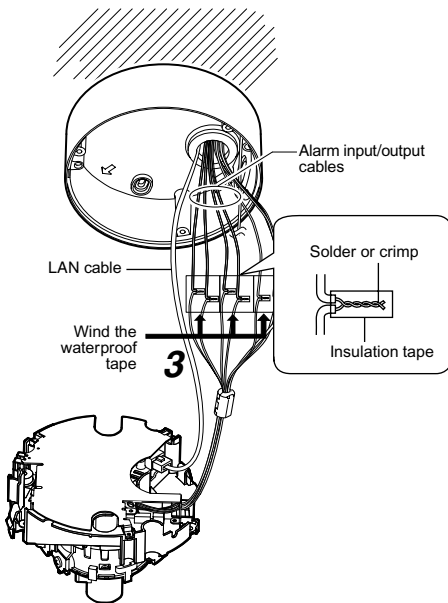
Alarm Input/Output Cable Connection

Connect the alarm input/output cables with external devices such as a sensor, buzzer, etc.

Signal name	Cable color
Alarm input 1	Pink
Alarm input 2	Blue
Alarm output 1	Orange
Alarm output 2	Yellow
GND	Brown

Cable to use

- Length of 50 m or shorter
- UL1007, UL1015 or equivalent products
- AWG#22 - AWG#18 or equivalent products



Note:

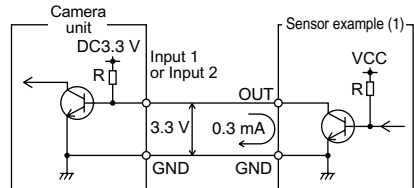
- Noises from an external source may cause malfunctions even when the cable used is shorter than 50 m. In this case, use a shielded cable or move the cable away from the noise source.

Alarm Input

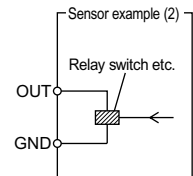
Connect this terminal to sensor devices, such as an infrared sensor, door sensor, metal sensor, manual switch, etc.

Input requirements

- No-voltage relay NPN open collector input
- Polarity of input detection can be selected using a software
- Make/Break (500 ms and above)
- Circuit current at low level: 0.3 mA
- Applied voltage at high level: 3.3 V



(Alarm input equivalent circuit)

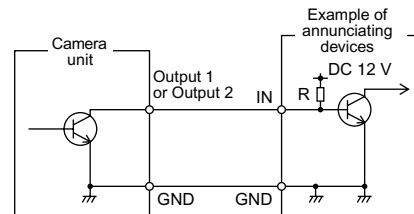


Alarm Output

Connect this terminal to annunciating devices, such as annunciators, indicators, lights, buzzers, etc.

Output requirements

- Equivalent to NPN open collector output (Set the output put logic via the Internet Explorer)
- Allowable applied voltage: DC12 V and below
- Allowable inflow current: 50 mA
- Momentary (100 ms to 5000 ms) output (Set time via the Internet Explorer)



(Alarm output equivalent circuit)

Note:

- Connect the GND cable of this camera to the GND of the annunciating device.

Setup

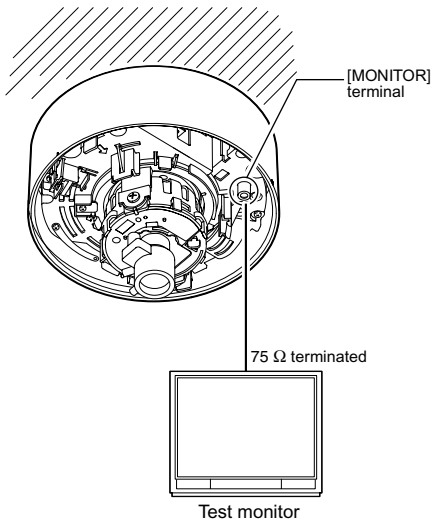
Adjusting Images

When the camera is mounted, adjust the image settings while looking at the actual image.

Mounting the test monitor

Connect the [MONITOR] terminal of the camera to the test monitor to adjust the camera shooting direction, field angle and focus.

- * When configuring, turn on the power of the camera.

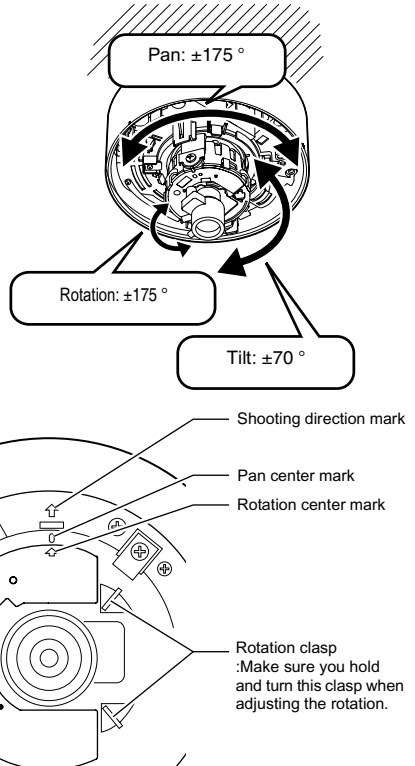


Adjusting the camera shooting direction

This camera can be adjusted for pan, tilt and rotation. Adjust the direction and face the camera towards the object.

Note:

- Make sure you touch the metal surface of the [MONITOR] terminal to release the static electricity from your body. Static electricity may cause the camera to malfunction.



Memo:

- Rotate both pan and rotation $\pm 175^\circ$ from the positions aligned with the camera imaging direction mark, pan center mark and rotation center mark. Make sure you hold the rotation knob and adjust the rotation without holding the lens section.
- After adjusting the field angle, tighten and secure the tilt fastening screw so that the field angle will not be misaligned when using the camera in locations with vigorous vibrations. (Pg. 12)

Note:

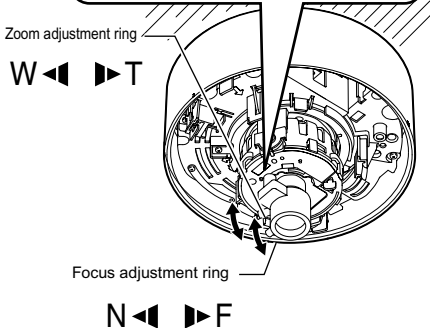
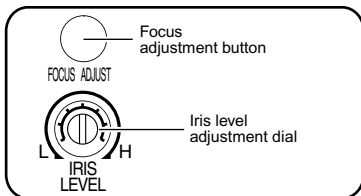
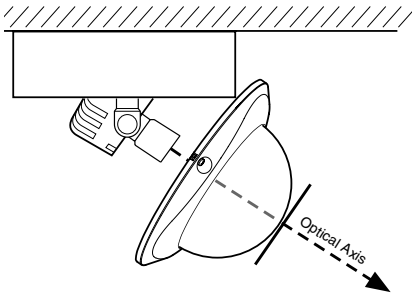
- Moving the camera when it has exceeded the adjustment range may cause its performance to deteriorate.
- As the tilt and rotation range of this camera is wide, part of the camera may be reflected in the shooting screen depending on the field angle and direction.
- Do not hold the lens section when adjusting the camera direction. The lens section may be damaged if you apply force to it.

Adjusting field angle, focus and brightness

Once you have decided the shooting direction, you can adjust the field angle, focus and brightness.

Note:

- Be sure to hold the dome cover over the lens when adjusting the focus. The dome cover is made thicker for performance purposes. If focus is not adjusted with the dome cover held over the lens, the camera may be out of focus when the dome cover is actually attached.
- When adjusting focus, hold the dome cover over the lens such that the optical axis of the lens and the center of the dome cover is perpendicular to each other and the image is not distorted. (Refer to the diagram below)



Field angle adjustment

Loosen the fastening screw of the zoom adjustment ring, move the ring left and right and adjust the image size.

Focus adjustment

Press the focus adjustment button. The Iris will open for approximately 30 seconds. Loosen the fastening screw of the focus adjustment ring, move the ring left and right and adjust the focus.

Memo:

- Repeat "Field angle adjustment" and "Focus adjustment" two to three times to adjust the settings. After adjustment is complete, tighten and secure the respective fastening screws.
- Pressing the focus adjustment button automatically activates the electronic shutter. The screen may flicker but this is not a malfunction.

Brightness adjustment

Normally, adjustment is not required. If necessary, adjust the Iris level.

To darken : Anti-clockwise direction (towards L)

To brighten : Clockwise direction (towards H)

Note:

- Do not adjust the iris level within 30 seconds after pressing the focus adjustment button. The electronic shutter will activate and you will not be able to adjust correctly.
- When adjusting the iris level, set the [AGC] function to "Off". Otherwise, when the level is turned too far toward L, the [AGC] function activates, hence increasing sensitivity and the picture may look grainy.

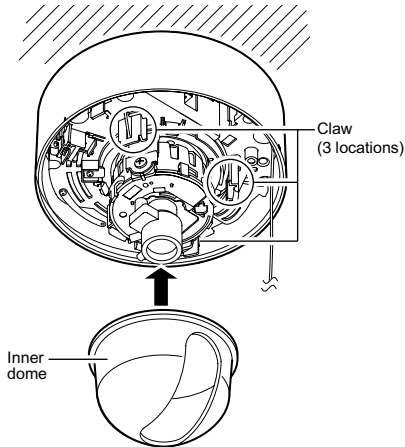
Setup

Mounting the inner dome

After all settings are complete, mount the inner dome to the camera.

1. Mount the inner dome

Mount the inner dome to the claws (x3).



Note:

- Mount the inner dome without covering the lens.
- When mounting the inner dome, make sure that the position of the lens is not shifted. Otherwise, the configured field angle will be distorted.

Mounting the dome cover

1. Clean the dome cover

Before mounting, remove and clean any dust or dirt on the dome cover.

Memo:

- Dirt on the dome cover may be reflected in the images.

Note:

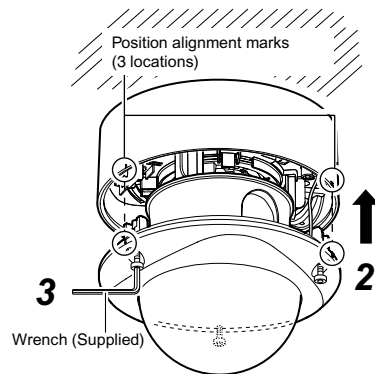
- Do not pull or apply excessive force to the dome cover.

2. Mount the dome cover to the base

Align the base with the position alignment marks (x3) on the dome cover and mount the dome cover.

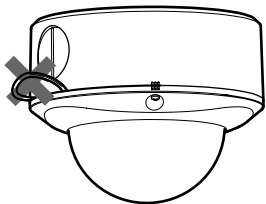
3. Secure the dome cover

Tighten the dome cover fastening screws (x3) with wrench (supplied) and secure.



Note:

- Secure the dome cover tightly. Insecure mounting may increase humidity, fog up the camera or the cover may drop.
- When the cover is removed again after mounting the dome cover, adjust the field angle.
- Make sure that the fall-prevention wire of the dome cover is not caught between the dome cover and the base. Otherwise, the anti-dust and waterproof function may not work properly.



Network Requirements

- Ensure that there is sufficient network bandwidth for the data volume to be sent out by VN-C215VP4U.
- Data volume to be sent by VN-C215VP4U varies with the settings and number of distributions.
- The maximum bit rate from VN-C215VP4U is about 9 Mbps.

Estimation of total bit rate

The JPEG file size per frame varies with the encoding settings as well as input video signals. The following table may be used as a reference. When VFS is selected, the quantization table during JPEG encoding will be maintained and the file size will increase/decrease according to the input signals. When AFS is selected, encoding will be performed such that the average size of multiple JPEG images is the target file size.

Picture Quality Control Method		VGA File Size	QVGA File Size
VFS (Variable File Size)	1 (High)	80 KB	27 KB
	2	60 KB	20 KB
	3	40 KB	13 KB
	4 (Medium)	30 KB	10 KB
	5	25 KB	8 KB
	6	20 KB	7 KB
	7 (Low)	15 KB	5 KB
AFS (Average File Size)		Selection may be made from the range between 10 and 100 KB	Selection may be made from the range between 3 and 33 KB

VN-C215VP4U accepts requests from up to a maximum of 5 clients. In addition, it also allows transmission of 1 multicast stream. The total frame rate refers to the sum of these frame rates. For example, when 10 fps is requested by 2 clients, and in addition multicast is transmitted at a rate of 10 fps, the total frame rate will be:

$$10 + 10 + 10 = 30 \text{ fps}$$

If the JPEG file size per frame is 30 KB, then the total bit rate will be:

$$30 \text{ KB} \times 30 \text{ fps} = 900 \text{ KB/s} = \text{Approx. } 7.2 \text{ Mbps}$$

Insufficient network bandwidth

When there is insufficient bandwidth, the number of JPEG frames (frame rate) that the client can acquire will decrease.

Network Delay

When the client acquires JPEG via TCP, VN-C215VP4U will send out data while checking the ACK from the client at the same time. For networks with considerable delay, data cannot be sent out until ACK is received, and therefore the frame rate will drop. Drop of frame rate due to network delay can be eliminated by sending data via multicast.

Network Jitter

When there is considerable network jitter, delay time may be prolonged and the image frame rate may drop.

Packet Loss

When acquiring images from VN-C215VP4U via TCP, packet loss may be recovered by resending by TCP. When there is considerable delay during resending, however, missing data may occur and the image frame rate may drop. When packet loss occurs during multicast sending from VN-C215VP4U, the image frame rate may drop.

List of protocols and port numbers used by VN-C215VP4U

VN-C215VP4U uses the protocols and port numbers listed below. Ensure that these ports are allowed through the firewall when a firewall is to be installed.

Protocol/Port No.	Purpose of Use
TCP/80	JPEG acquisition, Web Settings page, API
TCP/20, 21	FTP
TCP/25	Mail delivery
TCP/User Setting No.	Alarm sending
UDP/User Setting No.	Alarm sending
UDP/User Setting No.	Multicast sending
UDP /123	SNTP

IP Address Settings

Setting IP address with the default VN-C215VP4U settings

There are 2 methods to set the IP address when VN-C215VP4U is in its default settings.

(A) Assigning an IP address to VN-C215VP4U from the DHCP server

(B) Assigning a static IP address to VN-C215VP4U

■ (A) Assigning an IP address from the DHCP server

- VN-C215VP4U is set to “DHCP Enable” (the DHCP client function is ON) by default. To assign an IP address from DHCP server, connect VN-C215VP4U to LAN with DHCP server, and turn on VN-C215VP4U. Allowing the DHCP server to assign the same IP address to VN-C215VP4U every time eases access to VN-C215VP4U.
- For details on IP addresses assigned to VN-C215VP4U, please consult your network administrator.
- You can look up the IP address of VN-C215VP4U using the [Search Tool] in the attached CD-ROM.
For details, please refer to the “Readme” file in the attached CD-ROM.

Note: _____

- Set the DHCP server such that constant IP address is assigned to VN-C215VP4U based on the MAC address of VN-C215VP4U. Access by clients can fail if the above setting is not performed.
-

■ (B) Assigning a static IP address

● System configuration required for setting IP address

VN-C215VP4U is set to “DHCP Enable” (the DHCP client function is ON) by default. Start VN-C215VP4U in LAN without DHCP server. After DHCP timeout, VN-C215VP4U starts with the following IP address.

IP address : 192.168.0.2
Subnet mask : 255.255.255.0
Default gateway : None

Memo: _____

- To set a static IP address for VN-C215VP4U, connect VN-C215VP4U, switching hub and computer for setting using a straight LAN cable of Category 5 and above.
-

● Set up the computer for setting the IP address.

● Minimum computer specifications for setting

OS : Windows XP (Professional or Home Edition) (SP2)
Web browser : Internet Explorer Version 6.0

Note: _____

- When setting the IP address for VN-C215VP4U, do so by using a network that is made up only of VN-C215VP4U, the computer for setting and the switching hub.
 - Using a hub connected to other network devices can cause problems.
-

IP Address Settings (continued)

● IP Address setting at the computer

Set the computer to an IP address that enables communication with VN-C215VP4U.

1. Click [Start]

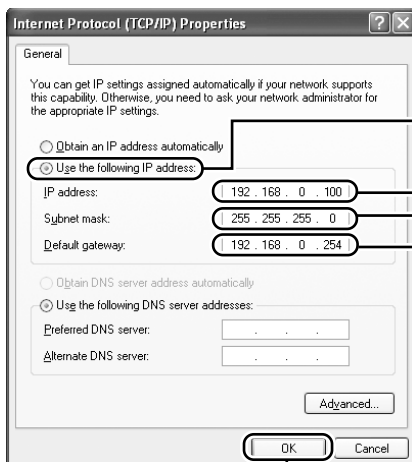
- Select in the order of [Control Panel]–[Network Connection]–[Local Area].

2. The computer with which Internet Explorer is launched automatically selects the connected network

- Right-click and select [Properties].
- Check to ensure that the [Client for Microsoft Networks] and [Internet Protocol(TCP/IP)] check boxes are selected.

3. Select [Internet Protocol(TCP/IP)] and click [Properties].

4. Set the IP address



① Select [Use the following IP address].

② Set the [IP Address]. (For example, use 192.168.0.100 when VN-C215VP4U is in its default settings)

Memo: _____

- Make sure that you take note of the original IP address before altering.

Note: _____

- When setting, ensure that a duplicate IP address is not used within the same network environment.

③ Set [Subnet Mask] to a value that is appropriate for the setting operation. Clarify with the network administrator if you have any queries.
(Use 255.255.255.0 when the camera is in its default settings)

④ When a [Default Gateway] is present, make use of the IP address (e.g., 192.168.0.254).

⑤ Click [OK].

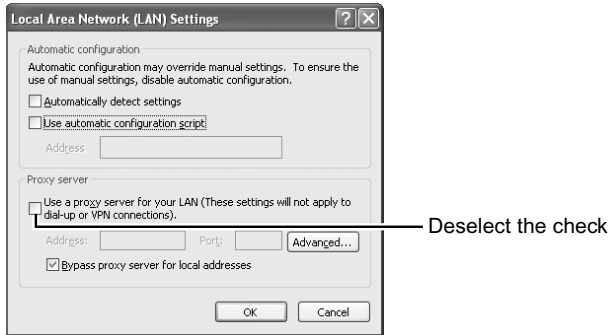
5. Click [OK] on the [Local Area Connection Properties] screen

● Changing the IP address using the Internet Explorer

1. Launch the Internet Explorer on the computer

2. When proxy setting is enabled in the Internet Explorer, follow the steps below to disable the proxy of the Internet Explorer

- Select in the order of [Tools]–[Internet Options...]-[Connections]-[LAN Setting], followed by deselecting the check for [Use a proxy server for your LAN] in [Proxy Server] of the [Local Area Network(LAN)Settings] window.

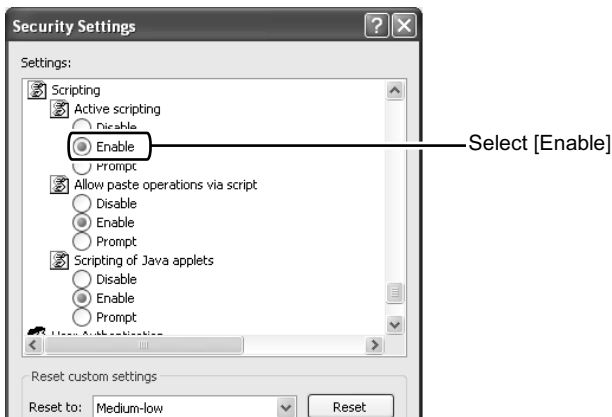


3. If Active scripting of the Internet Explorer is not set to "Enable", follow the steps below to enable it

- Select [Trusted sites] under [Tools]–[Internet Options...]-[Security]. Upon doing so, the [Sites...] button directly below becomes active. Click on this button and deselect the check for [Require server verification(https:) for all sites in this zone] in the displayed window. Next, add VN-C215VP4U web site to the zone.

Example: http://192.168.0.2

- Next, select [Trusted sites] under [Tools]–[Internet Options...]-[Security], and press the [Custom Level] button. Select [Enable] under [Scripting]-[Active scripting] of the [Security Settings] window that has been opened.

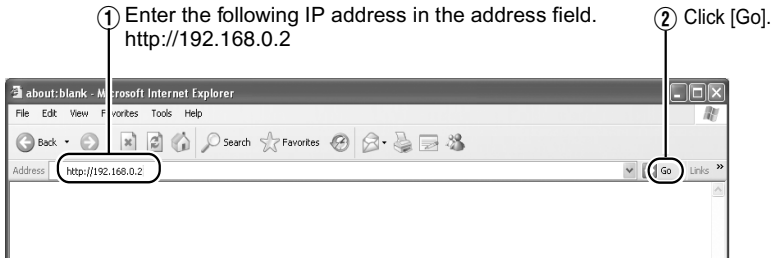


Setting

IP Address Settings (continued)

● Changing the IP address using the Internet Explorer (continued)

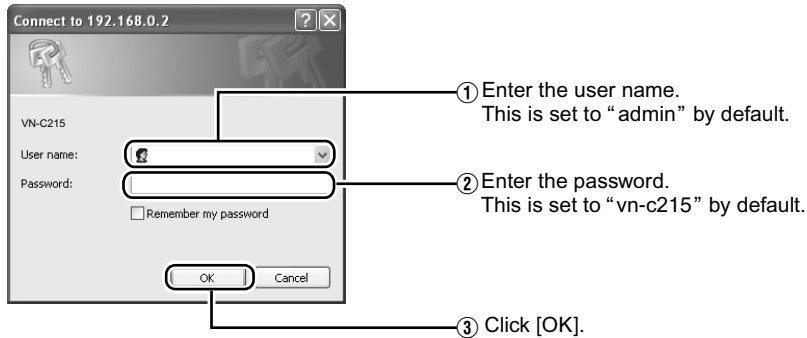
4. Launch the Internet Explorer



Memo:

- If the proxy server setting in Internet Explorer is enabled, you may not be able to specify the IP address directly. In this case, change the proxy settings of the Internet Explorer.
- After the Security Warning screen appears, press the [OK] button to proceed.

5. Enter the user name and password (login as an administrator)



Memo:

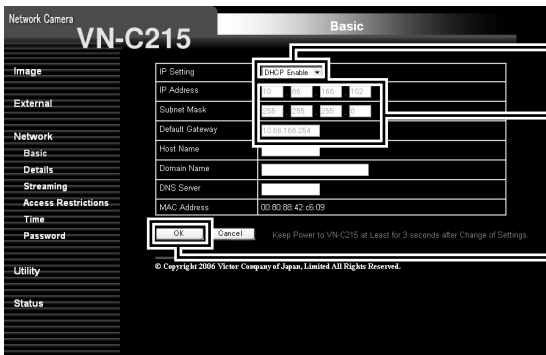
- After the Security Alarm screen appears, press the [Yes] button to proceed.

6. The top page of VN-C215VP4U appears



Click on [Network], followed by [Basic] on the next submenu.

7. The Basic page with the IP address settings appears



- ① Set the [IP Setting] item to [DHCP Disable].
- ② Enter the values you wish to specify in [IP Address], [Subnet Mask] and [Default Gateway].
- ③ Click [OK].

A confirmation screen appears. Press the [OK] button. The VN-C215VP4U restarts using the new IP address. It takes about 1 minute for the camera to reboot.

Memo:

- Access from this computer may fail when the IP address of VN-C215VP4U is changed. To enable access to VN-C215VP4U from the same computer, alter the IP address at the computer accordingly.

IP Address Settings (continued)

When the IP address of VN-C215VP4U is known

When the IP address of VN-C215VP4U is known, it can be changed by using Internet Explorer on the computer to access the built-in web page of VN-C215VP4U.

- ※ Please refer to the “Setting Using Internet Explorer” of the [INSTRUCTIONS](pdf) in the supplied CD-ROM.

When the IP address of VN-C215VP4U is unknown

Changing of settings by accessing via a computer is not possible when the IP address of VN-C215VP4U is unknown.

In this case, you can know the IP address using the following method.

- The attached CD-ROM comes with a “Search Tool”. Using this tool enables you to look up VN-C215VP4U within the LAN. For details on the Search Tool, please refer to “Readme” file in the supplied CD-ROM.

Operation of Built-in Viewer

Using the built-in viewer enables display of a series of images, one-shot recording of images and receiving of alarm information.

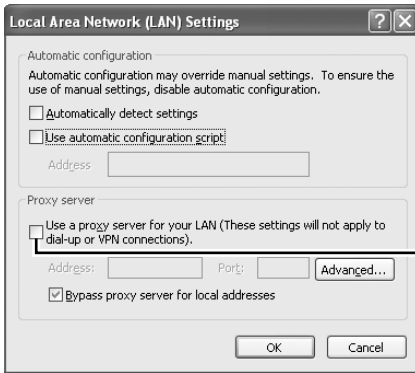
- ◆ Setting Up the Internet Explorer (☞ Pg. 40)
- ◆ Installing the built-in viewer (☞ Pg. 42)
- ◆ Screen Configuration of Built-in Viewer (☞ Pg. 43)
- ◆ Quitting the Built-in Viewer (☞ Pg. 44)
- ◆ Shortcut for Built-in Viewer (☞ Pg. 44)

- For Built-in Viewer Settings please refer to the [INSTRUCTIONS] (pdf) in the supplied CD-ROM.

Operation of Built-in Viewer (continued)

Setting Up the Internet Explorer

1. Launch the Internet Explorer on the computer
2. When proxy setting is enabled in the Internet Explorer, follow the steps below to disable the proxy of the Internet Explorer
 - Select in the order of [Tools]–[Internet Options...]-[Connections]-[LAN Setting], followed by deselecting the check for “Use a proxy server for your LAN” in [Proxy Server] of the [Local Area Network(LAN)Settings] window.



Deselect the check

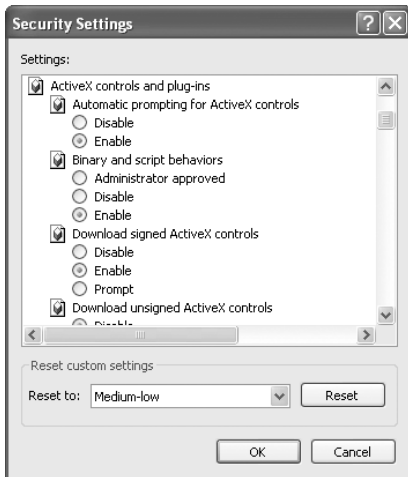
Setting Up the Internet Explorer (continued)

3. If ActiveX controls and plug-ins of the Internet Explorer is not set to “Enable”, follow the steps below to enable it

- Click [Trusted sites] under [Tools]–[Internet Options...]–[Security]. Upon doing so, the [Sites...] button directly below becomes active. Click on this button and deselect the check for [Require server verification(https:) for all sites in this zone] in the displayed window. Next, add the IP address of VN-C215VP4U. If the setting is factory default, add the following web site to the zone.

http://192.168.0.2

- Click [Trusted sites] under [Tools]–[Internet Options...]–[Security]. Select the [Custom Level] button and open the [Security Settings] window. From the opened window, set all the items in [ActiveX controls and plug-ins] to [Enable].



4. If the pop-up block function of the Internet Explorer is enabled, follow the steps below to disable it

- ※ The built-in viewer cannot be used when the pop-up block function is “Enable”.
- Selecting [Tools]–[Pop-up Blocker]–[Turn Off Pop-up Blocker] permits all sites.
- To allow only specific sites such as VN-C215VP4U, select [Tools]–[Pop-up Blocker]–[Turn On Pop-up Blocker], followed by selecting the active [Tools]–[Pop-up Blocker]–[Pop-up Blocker Settings], and open the [Pop-up Blocker Settings] window. In the opened window, add the address of VN-C215VP4U as an allowed web site address.

5. When plug-in tools such as the Yahoo or Google toolbar are included in the Internet Explorer, disable the pop-up block function of these plug-in tools as well

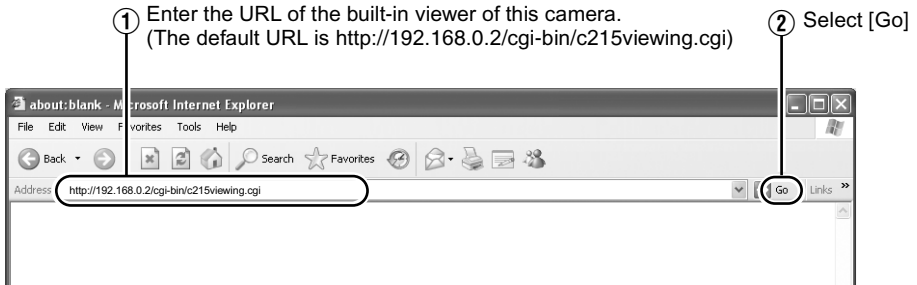
Operation

Operation of Built-in Viewer (continued)

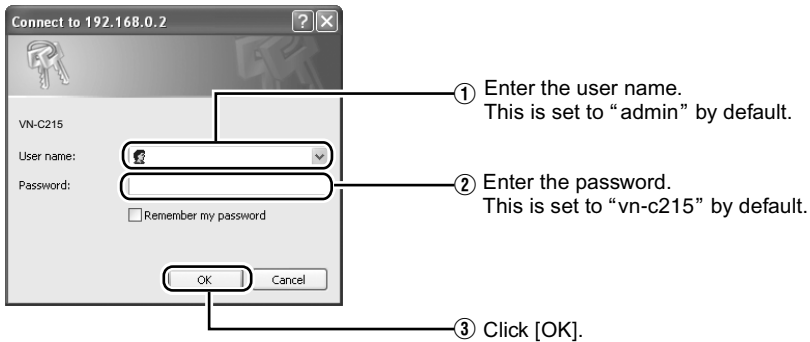
Installing the built-in viewer

1. Enter the URL of the built-in viewer in the address field of Internet Explorer

For example, if the IP address of VN-C215VP4U is 192.168.0.2, enter as follows:
http://192.168.0.2/cgi-bin/c215viewing.cgi



2. Enter the user name and password



3. The viewer is installed and launched

Screen Configuration of Built-in Viewer

- VN-C215VP4U is set to encode at 15 fps by default.



① Alarm	Appears blinking when alarm packets are sent from VN-C215VP4U to the computer. The alarm will continue blinking until the auto clear operation of the alarm is performed. Clicking the blinking button turns the light off.
② Display Size	Switches the display size. (VGA or QVGA)
③ Pause	Pauses/Resumes playback of images.
④ Capture	Captures the currently displayed image on the computer. Images captured will be stored as a JPEG file in the "C215_JPEG" directory that is created under [My Document] of the computer. The file name is made up of year/month/day, hour/minute/second and the millisecond. The time denoted by the file name is based on the time at the computer and not the internal clock of VN-C215VP4U. This feature is unable to capture motion images.
⑤ Setup	Displays the setting window of the built-in viewer. This setting screen is used to set the built-in viewer as a software on the computer. Note: <ul style="list-style-type: none"> • Settings on this setting screen are not applied as settings to the VN-C215VP4U unit. <p>※ For details of the settings, please refer to the "Built-in Viewer Settings" of the[INSTRUCTIONS](pdf) in the supplied CD-ROM.</p>

Operation of Built-in Viewer (continued)

Quitting the Built-in Viewer

To quit, press the [Close] button at the top right of the window.

Click [Close].



- To restart the built-in viewer, launch the Internet Explorer and enter the URL of the built-in viewer in the address field. For example, if the IP address of VN-C215VP4U is 192.168.0.2, enter as follows:

`http://192.168.0.2/cgi-bin/c215viewing.cgi`

- After the Security Warning screen appears, press the [OK] button to proceed.

Shortcut for Built-in Viewer

Creating a shortcut for the built-in viewer on the Desktop screen of the computer saves you the trouble of having to enter the URL in the Internet Explorer.

Create the shortcut using the procedures below.

1. Launch the Internet Explorer

2. Right-click on Internet Explorer on the screen and select [Create Shortcut]

Click the [OK] button on the confirmation screen and a shortcut will be created on the Desktop screen.

3. Right-click on the shortcut icon on the Desktop screen and select Properties

The setting screen appears.

4. Enter the URL of the built-in viewer in the URL field

For example, if the IP address of VN-C215VP4U is 192.168.0.2, enter as follows:

`http://192.168.0.2/cgi-bin/c215viewing.cgi`

5. Click the [OK] button to end

Clicking on the shortcut created will help to save you the trouble of having to enter the URL in the Internet Explorer.

Memo:

- Before starting up the built-in viewer using the shortcut, close all Internet Explorer windows. Starting up the built-in viewer using the shortcut while leaving other Internet Explorer windows opened may result in malfunction of the built-in viewer.

Others

Specifications

Camera Unit

Image pickup device	: 1/4 inch Interline transfer CCD
Effective pixels	: Approx. 380,000 pixels 768 (H) × 494 (V)

[Monitor Output]

Monitor output x 1 (75 , 1 Vp-p)

Horizontal resolution	: 540 TV lines (typ.)
-----------------------	-----------------------

Minimum object illumination

Color mode	: 2.5 lx (typ., 50 %, F1.3, wide-angle lens, AGC ON) 0.75 lx (typ., 25 %, F1.3, wide-angle lens, AGC ON)
------------	---

Black and White mode	: 1.4 lx (typ., 50 %, F1.3, wide-angle lens, Easy Day and Night ON) 0.4 lx (typ., 25 %, F1.3, wide-angle lens, Easy Day and Night ON)
----------------------	--

Video S/N ratio	: 50 dB (typ., 50 %, AGC OFF)
-----------------	-------------------------------

[Network Output]

Image compression format	: JPEG
Frame size	: 640 × 480 320 × 240
Network interface	: RJ-45 100BASE-TX/ 10BASE-T/FULL/HALF/ auto negotiation supported

LAN Specifications

Compliant with IEEE802.3, IEEE802.3u and IEEE802.3af

Communication protocol	: TCP/IP, UDP, HTTP, FTP, ICMP, ARP, RTP, DHCP, SNTP, SMTP, IGMP
------------------------	--

Lens

Focal length	: 2.8 mm to 10 mm (variable)
--------------	------------------------------

Zoom ratio	: Approx. 3.6
------------	---------------

Maximum aperture:	F1.3 (f = 2.8 mm) to F3.0 (f = 10 mm)
-------------------	---------------------------------------

Angle adjustment range

Pan	: ±175°
Rotation	: ±175°
Tilt	: ±70°

Angle of vision	: f = 2.8 mm 73 °(H) x 54 °(V) f = 10 mm 20 °(H) x 15 °(V)
-----------------	---

Specifications (continued)

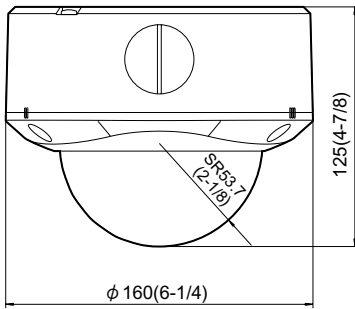
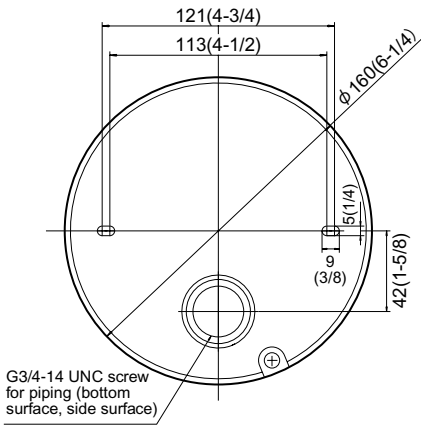
General

- Alarm input : No-voltage a contact input, NPN open collector input, low level, latch/momentary (500 ms and above) (Circuit current during low level: 0.3 mA; Applied voltage during high level: 3.3 V)
- Alarm output : NPN open collector output (Allowable applied voltage: 12 V; Allowable inflow current: 50 mA)
- Internal memory : 8 MB
- Supply voltage : DC12 V = or DC -48 V (Supply by power feeding device that supports Power over Ethernet)
: AC24 V $\sqrt{}$ 50 Hz/60 Hz (When using KA-ZH215)
- Consumption current : 0.5 A (VN-C215VP4U)
: 18 W(KA-ZH215)
- Ambient temperature : -10 °C to 50 °C (14 °F to 122 °F) (operation)
: 0 °C to 40 °C (32 °F to 104 °F) (recommended)
- When using KA-ZH215 : -30 °C to 50 °C (-22 °F to 122 °F)(operation)
: -20 °C to 40 °C (-4 °F to 104 °F) (recommended)
- Ambient humidity : 35 % RH to 85 %RH (without condensation)
- Anti-dust/
Waterproof performance : IP66
- Mass : Approx. 1.3 kg

Attachments/Accessories

- Start-up Guide 1
- CD-ROM 1
- Installation Precautions 1
- Warranty Card 1
- Service Information Card 1
- Silica gel 1
- Wrench 1
- Template..... 1

Dimension [Unit: mm (inch)]



* Specifications and appearance of this unit and related products are subject to change for product improvement without prior notice.

JVC

Free Manuals Download Website

<http://myh66.com>

<http://usermanuals.us>

<http://www.somanuals.com>

<http://www.4manuals.cc>

<http://www.manual-lib.com>

<http://www.404manual.com>

<http://www.luxmanual.com>

<http://aubethermostatmanual.com>

Golf course search by state

<http://golfingnear.com>

Email search by domain

<http://emailbydomain.com>

Auto manuals search

<http://auto.somanuals.com>

TV manuals search

<http://tv.somanuals.com>