

# JVC



## SPEAKER SYSTEM

LAUTSPRECHER-SYSTEM

ENCEINTE ACOUSTIQUE

LUIDSPREKERSYSTEEM

SISTEMA DE ALTAVOCES

SISTEMA DI ALTOPARLANTI

HÖGTALARSYSTEM

KAIUTINJÄRJESTELMÄ

HØJTTALERSYSTEM

揚聲器系統

# SX-WD8



## INSTRUCTIONS

BEDIENUNGSANLEITUNG

MANUEL D'INSTRUCTIONS

GEBRUIKSAANWIJZING

MANUAL DE INSTRUCCIONES

ISTRUZIONI

BRUKSANVISNING

KÄYTTÖOHJE

INSTRUKTIONSBOG

使用説明書

LVT1293-002A

[E]

**— SAFETY INSTRUCTIONS —**  
**“SOME DOS AND DON'TS ON THE SAFE USE OF EQUIPMENT”**

This equipment has been designed and manufactured to meet international safety standards but, like any electrical equipment, care must be taken if you are to obtain the best results and safety is to be assured.

Do read the operating instructions before you attempt to use the equipment.

Do ensure that all electrical connections (including the mains plug, extension leads and interconnections between pieces of equipment) are properly made and in accordance with the manufacturer's instructions. Switch off and withdraw the mains plug when making or changing connections.

Do consult your dealer if you are ever in doubt about the installation, operation or safety of your equipment.

Do be careful with glass panels or doors on equipment.

DON'T continue to operate the equipment if you are in any doubt about it working normally, or if it is damaged in any way—switch off, withdraw the mains plug and consult your dealer.

DON'T remove any fixed cover as this may expose dangerous voltages.

DON'T leave equipment switched on when it is unattended unless it is specifically stated that it is designed for unattended operation or has a standby mode.

Switch off using the switch on the equipment and make sure that your family know how to do this.

Special arrangements may need to be made for infirm or handicapped people.

DON'T use equipment such as personal stereos or radios so that you are distracted from the requirements of traffic safety. It is illegal to watch television whilst driving.

DON'T listen to headphones at high volume as such use can permanently damage your hearing.

DON'T obstruct the ventilation of the equipment, for example with curtains or soft furnishing.

Overheating will cause damage and shorten the life of the equipment.

DON'T use makeshift stands and NEVER fix legs with wood screws—to ensure complete safety always fit the manufacturer's approved stand or legs with the fixings provided according to the instructions.

DON'T allow electrical equipment to be exposed to rain or moisture.

**ABOVE ALL**

- NEVER let anyone, especially children, push anything into holes, slots or any other opening in the case—this could result in a fatal electrical shock;
- NEVER guess or take chances with electrical equipment of any kind—it is better to be safe than sorry!

Thank you for purchasing JVC speaker.  
Before you begin using the speaker, please read the instructions carefully.

### Table of Contents

Warnings, Cautions and Others .....	4
Preparation .....	4
Connection .....	5
About Speaker Grille .....	5
Specifications .....	5

Grazie per avere acquistato un altoparlante JVC.  
Prima di utilizzare gli altoparlanti, leggere attentamente le istruzioni.

### Indice

Avvertenze, Precauzioni e Altro .....	14
Preparativi .....	14
Collegamento .....	15
Griglie dei diffusori .....	15
Dati caratteristici .....	15

Herzlichen Glückwunsch zum Kauf dieses JVC-Lautsprechers.  
Bevor Sie den Lautsprecher in Betrieb nehmen, lesen Sie bitte die Bedienungsanleitung gründlich durch.

### Inhaltsverzeichnis

Warnungen, Vorsichtshinweise usw. ....	6
Vorbereitung .....	6
Anschluss .....	7
Über die Lautsprecherbespannung .....	7
Technische Daten .....	7

Tack för att du valde en JVC-högtalare.  
Läs instruktionerna noggrant innan du börjar använda högtalaren.

### Innehåll

Varningar, försiktighetsåtgärder m.m. ....	16
Förberedelse .....	16
Anslutning .....	17
Om högtalarens skyddsgaller .....	17
Specifikation .....	17

Merci pour avoir acheté cette enceinte JVC.  
Avant de les utiliser, veuillez lire attentivement ces instructions.

### Table des matières

Avertissements, précautions et autres .....	8
Préparation .....	8
Connexions .....	9
À propos de la grille de l'enceinte .....	9
Spécifications .....	9

Kiitos siitä, että päädyit valinnassasi JVC-kaiuttimeen.  
Ennen kuin alat käyttää kaiutinta, lue käyttöohje huolellisesti.

### Sisällysluettelo

Varoituksia, huomautuksia ym. ....	8
Valmistelu .....	8
Liitäntä .....	9
Kaiuttimien säleiköt .....	9
Tekniset tiedot .....	9

Dank u voor de aanschaf van de JVC luidspreker.  
Lees alvorens gebruik van de luidspreker deze gebruiksaanwijzing even door.

### Inhoudsopgave

Waarschuwingen en andere aandachtspunten .....	10
Vorbereiding .....	10
Aansluiten .....	11
Meer over het luidsprekerrooster .....	11
Specificaties .....	11

Tak fordi du har købt en JVC-højtaler.  
Før du begynder at bruge højtaleren, bedes du læse instruktionerne grundigt igennem.

### Indholdsfortegnelse

Advarsler, forsigtighedsregler og andet .....	20
Klargøring .....	20
Tilslutning .....	21
Om højtalergitteret .....	21
Specifikation .....	21

Gracias por la compra del altavoz JVC.  
Antes de empezar a usar el altavoz, por favor lea atentamente las instrucciones.

### Contenido

Advertencias, precauciones y notas .....	12
Preparación .....	12
Conexión .....	13
Acerca de la rejilla del altavoz .....	13
Especificaciones .....	13

多謝您購買 JVC 揚聲器系統。  
開始使用揚聲器之前，請仔細閱讀本使用說明書。

### 目錄

警告，注意及其他 .....	22
準備工作 .....	22
連接 .....	23
關於揚聲器罩網 .....	23
規格 .....	23

## Warnings, Cautions and Others

### ■ Precautions for installation

- Do not install the speakers on an uneven surface or in a place subject to vibration; otherwise, they may fall over, causing damage or injury.
  - Take the occurrence of earthquakes or other physical shocks into consideration when selecting the installation place, and secure the speakers thoroughly.
- To prevent deformation or discoloration of the cabinet, do not install the speakers where they are exposed to direct sunlight or high humidity, and avoid installation near air conditioning outlets.
- Speaker vibrations may cause howling. Place the speakers as far away from the player as possible.
- The speakers are magnetically shielded to avoid color distortions on TVs. However, if not installed properly, it may cause color distortions. So, pay attention to the following when installing the speakers.
  - When placing the speakers near a TV set, turn off the TV's main power switch or unplug it before installing the speakers. Then wait at least 30 minutes before turning on the TV's main power switch again.
 Some TVs may still be affected even though you have followed the above. If this happens, move the speakers further away from the TV.
- Tuner reception may become noisy or hissing if a speaker is installed near the tuner. In this case, leave more distance between the tuner and the speakers or use an outdoor antenna for better tuner reception without interference from the speakers.

### ■ Precautions for daily use

- **To maintain the appearance of the speakers**
  - Wipe with a dry, soft cloth if the cabinet should become dirty. If very dirty, wipe with a cloth applied a small amount of water or neutral detergent, then wipe with a dry cloth.
  - Do not use chemicals such as benzine and thinner for cleaning the cabinet.
- **To improve the sound field**
  - It is recommended to leave a space of more than 50 cm between the speakers and the wall.
  - If the speakers are facing a solid wall or glass door, etc., it is recommended to furnish the wall with materials that absorb sounds, for example by hanging up thick curtains, to prevent reflections and standing waves.
- **To use the speakers without any trouble**
  - Do not reproduce sounds at so high a volume that they are distorted; otherwise, the speakers may be damaged by internal heat buildup.
  - When moving the speakers, do not pull the speaker cords; otherwise, the speakers may fall over, causing damage or injury.

## Preparation

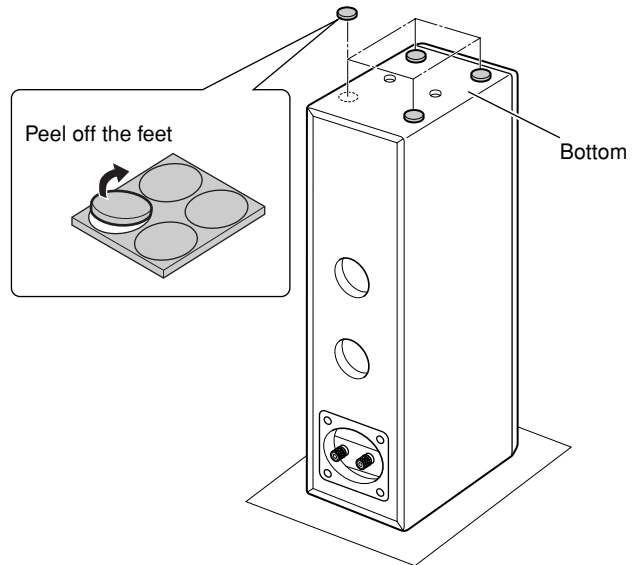
### ■ Attaching the feet

Attach the supplied feet on the bottom of the speaker, so that you can protect the speaker cabinet, absorb the speaker vibration, and prevent the speaker slipping.

- Place a large, thick cloth under the speaker in order to protect the floor and the speaker.

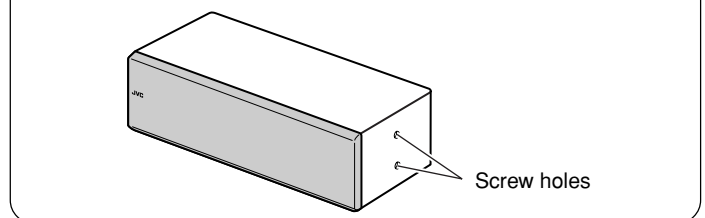
#### When installing the speaker vertically

- 1 Stand the speaker upside down.
- 2 Attach the feet.

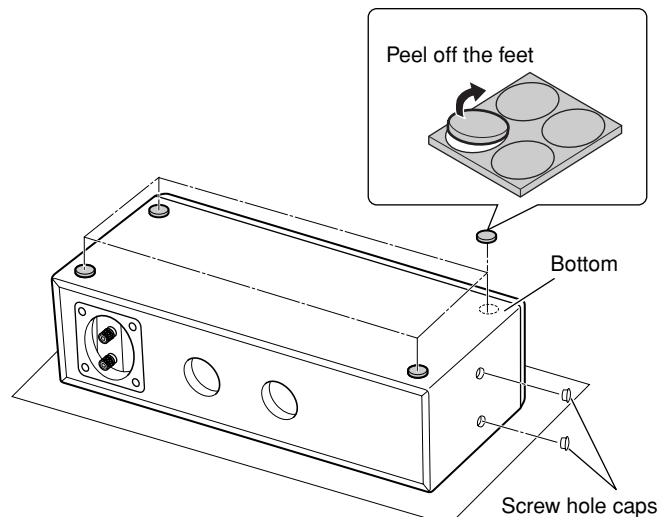


#### When installing the speaker horizontally

Install the speaker with the screw holes facing rightward.



- 1 Place the speaker with the side, where you attach the feet, facing upward.
- 2 Attach the feet.
- 3 Attach the screw hole caps to the screw holes.



## Connection

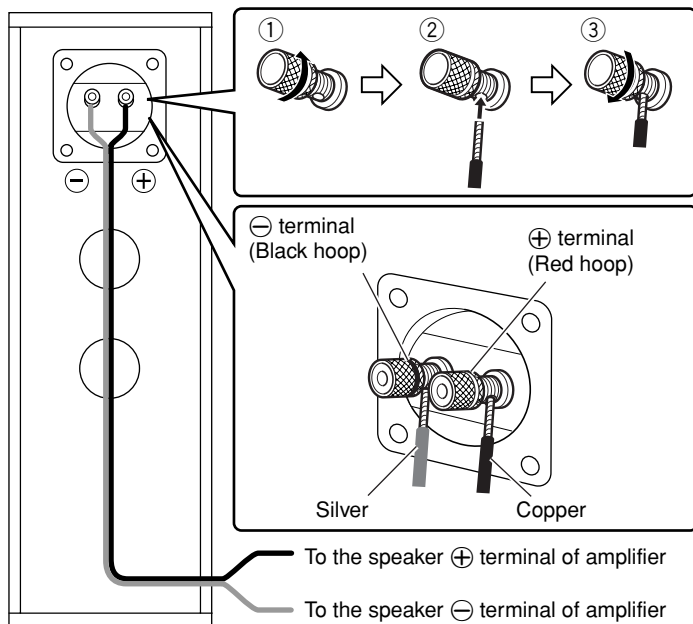
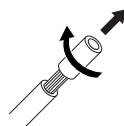
### ■ Precautions

#### Before connecting:

- Turn off the power to the amplifier before connecting the speaker system; otherwise, the speakers may be damaged.
- The impedance of the speaker is 6 Ω.  
If this does not match with the speaker impedance range indicated on the amplifier, you cannot connect this system to the amplifier.
- The maximum power handling capacity of the SX-WD8 is 150 W. Excessive input will result in abnormal noise and possible damage.
- Be sure to turn down the volume level on the amplifier to prevent unwanted noise before performing following operations:
  - Turning on or off other components
  - Operating the amplifier
  - Tuning FM stations
  - Fast-forwarding a tape
  - Continuously reproducing high frequency oscillation or high pitch electronic sounds
  - Connecting or disconnecting a microphone
- When using a microphone, do not aim it at the speakers or use it near the speakers; otherwise, the howling which occurs may damage the speakers.
- Before replacing the cartridge, always turn off the power both to the amplifier and to the turntable; otherwise, the clicking noise may damage the speakers.

### ■ Connecting the speaker system to the amplifier

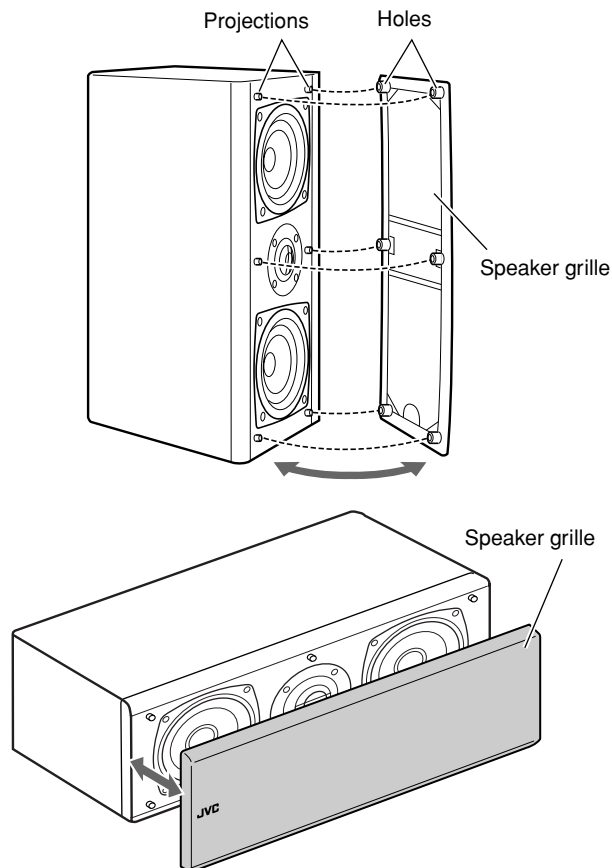
- Twist and remove the insulation at the end of each speaker cord before connecting.



- Make sure to match the polarity (⊕ and ⊖); otherwise, the surround effect will become less effective.

## About Speaker Grille

The speaker grille is removable as illustrated below:



**To remove the speaker grille**, insert your fingers at the top of the speaker grille, then pull towards you. Repeat the procedure at the bottom of the speaker grille.

**To attach the speaker grille**, put the projections of the speaker into the holes of the speaker grille.

- Do not push the speaker grille strongly.

## Specifications

<b>Type:</b>	2-way 3-speaker bass-reflex type Magnetically-shielded type
<b>Speakers</b>	
Mid and low range:	10.5 cm wooden cone
Tweeter:	2.0 cm wooden dome
<b>Power handling capacity:</b>	150 W
<b>Impedance:</b>	6 Ω
<b>Crossover frequency:</b>	3 800 Hz
<b>Frequency range:</b>	50 Hz to 50 000 Hz
<b>Sound pressure level:</b>	84.5 dB/W•m
<b>Dimensions (W x H x D):</b>	143 mm x 405 mm x 249 mm
<b>Mass:</b>	6.3 kg
<b>Supplied accessories:</b>	<ul style="list-style-type: none"> <li>• Feet (4)</li> <li>• Speaker cord (3 m) (1)</li> <li>• Screw hole caps (2)</li> </ul>

*Design and specifications subject to change without notice.*

SX-WD8

SPEAKER SYSTEM

**JVC**

## Free Manuals Download Website

<http://myh66.com>

<http://usermanuals.us>

<http://www.somanuals.com>

<http://www.4manuals.cc>

<http://www.manual-lib.com>

<http://www.404manual.com>

<http://www.luxmanual.com>

<http://aubethermostatmanual.com>

Golf course search by state

<http://golfingnear.com>

Email search by domain

<http://emailbydomain.com>

Auto manuals search

<http://auto.somanuals.com>

TV manuals search

<http://tv.somanuals.com>