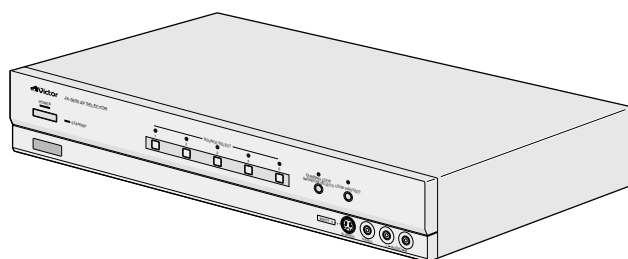
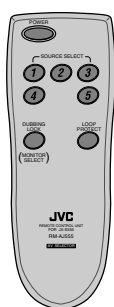


JVC



AV SELECTOR
SELECTEUR AV
SELECTOR AV

JX-S555



INSTRUCTIONS MANUEL D'INSTRUCTIONS MANUAL DE INSTRUCCIONES

For Customer Use:

Enter below the Serial No. which is located on the rear or bottom of cabinet. Retain this information for future reference.

Model No. **JX-S555**

Serial No. _____

J5500-105A

Safety Information

FCC INFORMATION

This device complies with Part 15 of the FCC Rules. Operation is subject to the following two conditions:

- (1) This device may not cause harmful interference.
- (2) This device must accept any interference received, including interference that may cause undesired operation.

Note: This equipment has been tested and found to comply with the limits for a Class B digital device, pursuant to Part 15 of the FCC rules. These limits are designed to provide reasonable protection against harmful interference in a residential installation. This equipment generates, uses and can radiate radio frequency energy and, if not installed and used in accordance with the instructions, it may cause harmful interference to radio communications. However, there is no guarantee that interference will not occur in a particular installation. If this equipment does cause harmful interference to radio or television reception, which can be determined by turning the equipment off and on, the user is encouraged to try to correct the interference by one or more of the following measures:

- Reorient or relocate the receiving antenna.
- Increase the separation between the equipment and receiver.
- Connect the equipment into an outlet on a circuit different from that to which the receiver is connected.
- Consult the dealer or an experienced radio/TV technician for help.

CAUTION —Changes or modifications not approved by JVC could void user's authority to operate the equipment.

Contact

Address: JVC AMERICAS CORP.,
1700 VALLEY ROAD, WAYNE, N.J. 07470
Telephone: (973) 315-5000

Thank you for purchasing this JVC product. Before you begin operating this unit, please read the instructions carefully to be sure you get the best possible performance. If you have any questions, consult your JVC dealer.

CAUTION

To reduce the risk of electrical shocks, fire, etc.:

1. Do not remove screws, covers or cabinet.
2. Do not expose this appliance to rain or moisture.

* It may be unlawful to record or play back copyrighted material without the consent of the copyright owner.

WARNING: TO REDUCE THE RISK OF FIRE OR ELECTRIC SHOCK, DO NOT EXPOSE THIS APPLIANCE TO RAIN OR MOISTURE.



CAUTION

RISK OF ELECTRIC SHOCK
DO NOT OPEN



CAUTION : TO REDUCE THE RISK OF ELECTRIC SHOCK, DO NOT REMOVE COVER (OR BACK). NO USER SERVICEABLE PARTS INSIDE. REFER SERVICING TO QUALIFIED SERVICE PERSONNEL.



The lightning flash with arrowhead symbol, within an equilateral triangle, is intended to alert the user to the presence of uninsulated "dangerous voltage" within the product's enclosure that may be of sufficient magnitude to constitute a risk of electric shock to persons.



The exclamation point within an equilateral triangle is intended to alert the user to the presence of important operating and maintenance (servicing) instructions in the literature accompanying the appliance.

INFORMATION (for CANADA)

This Class B digital apparatus meets all requirements of the Canadian Interference-causing Equipment Regulations.

RENSEIGNEMENT (Pour CANADA)

Cet appareil numérique de la classe B respecte toutes les exigences du Règlement sur le matériel brouilleur du Canada.

IMPORTANT

1. Installation

- Select a place which is level, dry and neither too hot nor too cold (between -5° C and 40° C/23° F and 104° F).
- Keep away from direct sunlight.
- Do not put it too close to a heater.

2. Power cord

- Do not handle the power cord with wet hands!
- Do not bend the power cord sharply.
- When unplugging the power cord, do not pull on the cord, Hold the plug itself and remove it from the AC outlet.

3. Malfunctions, etc.

- There are no user serviceable parts inside. If anything goes wrong, unplug the power cord and consult your dealer.
- Do not insert any metallic object.
- Do not allow water to get inside.

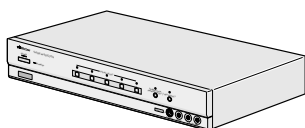
Contents

INTRODUCTION	Safety Information 2 Check the contents 3 Major Features 4 System Configuration Example 5 Connectors, Controls and Indicators 6 Using the Remote Control Unit 9
BASIC OPERATION	Watching Video 10 Dubbing (Multi-dubbing) 12 Watching a Video Program While Recording Another one (Dubbing Lock) .. 14 Enjoy High-Quality Video and Audio from a DVD (Optical connection) 16
ADVANCED OPERATION	Useful Tips 18 S-VIDEO input/output connectors 18 Y/C separator 18 Y/C mixer 18 LOOP PROTECT function 19 DUBBING LOCK button 20 Component terminals 21 OPTICAL connector 21
OTHERS	Block Diagram 22 Troubleshooting 24 Specifications 26 Glossary 27 Index 28

Check the contents

Check the contents of the carton your JX-S555 came in. The following items should be found in the carton:

This unit (JX-S555)



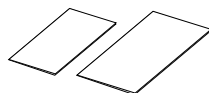
Remote control unit (RM-AJ555)



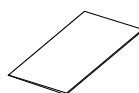
Battery (AA) x 2
(for operation testing)



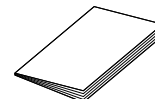
Registration card and Safety guide



Warranty card

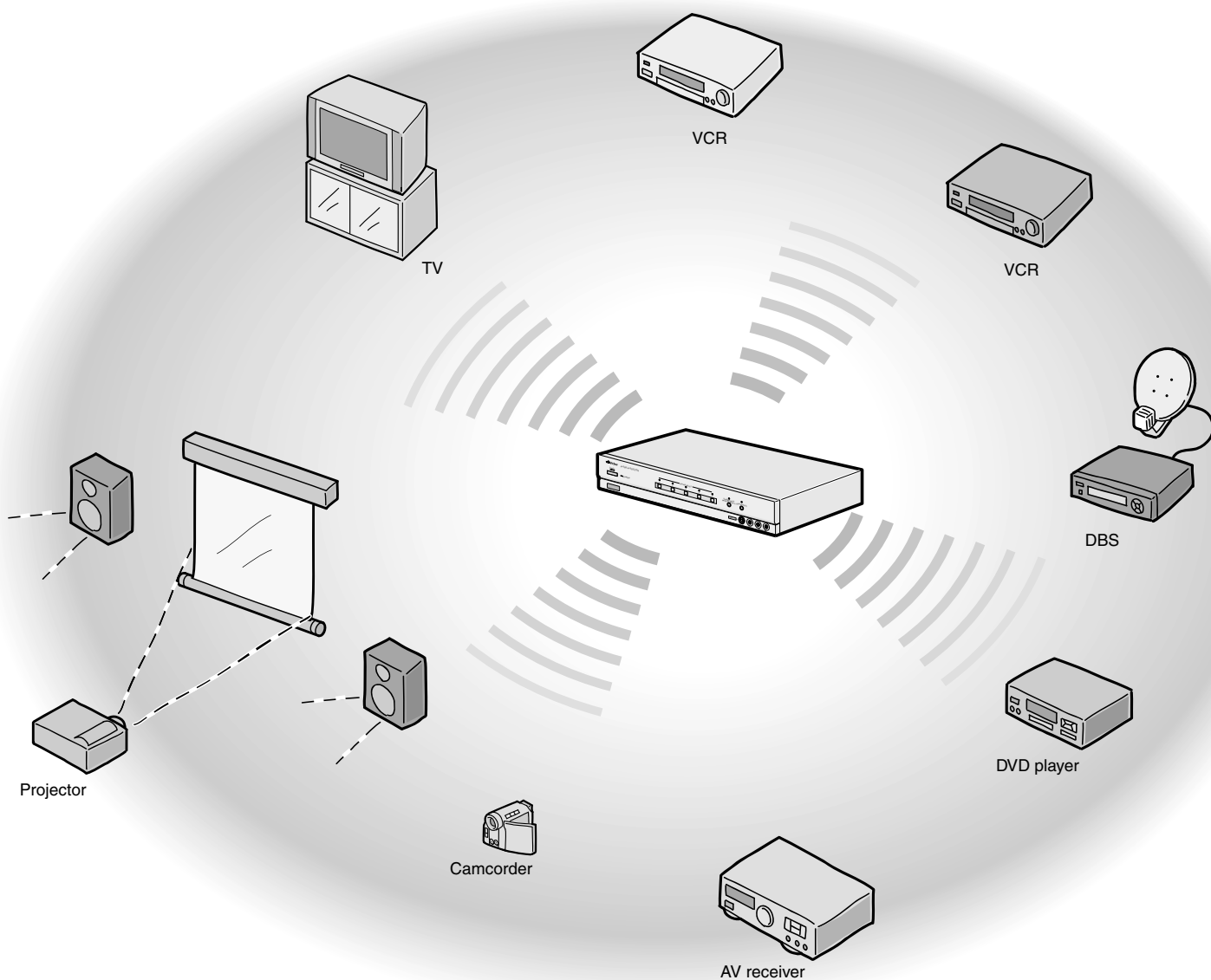


Instruction manual (this book)



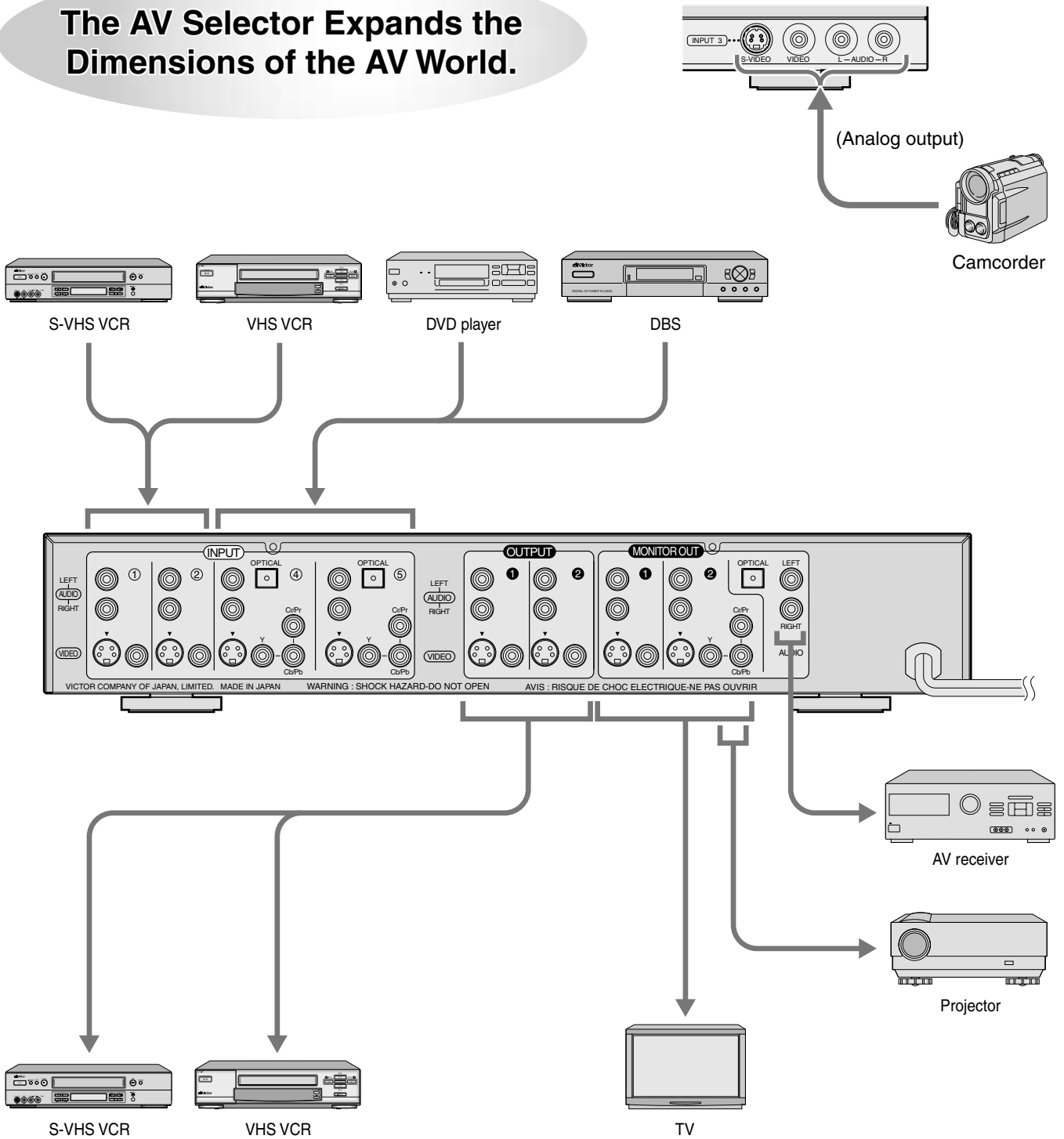
Major Features

- ① Component video terminals and Optical digital audio connectors provided.
- ② Two component input, Y/C separation and mixing circuits are built in for the centralized management of the AV components.
- ③ 5 inputs, 2 outputs, 2 monitor outputs and 1 audio-only monitor output, adequate for home theater systems.
- ④ A dubbing lock function permits the monitoring of a source during the dubbing of another source.
- ⑤ Signal transmission with little signal deterioration for high picture quality. (The component circuitry is compatible with 30 MHz.)



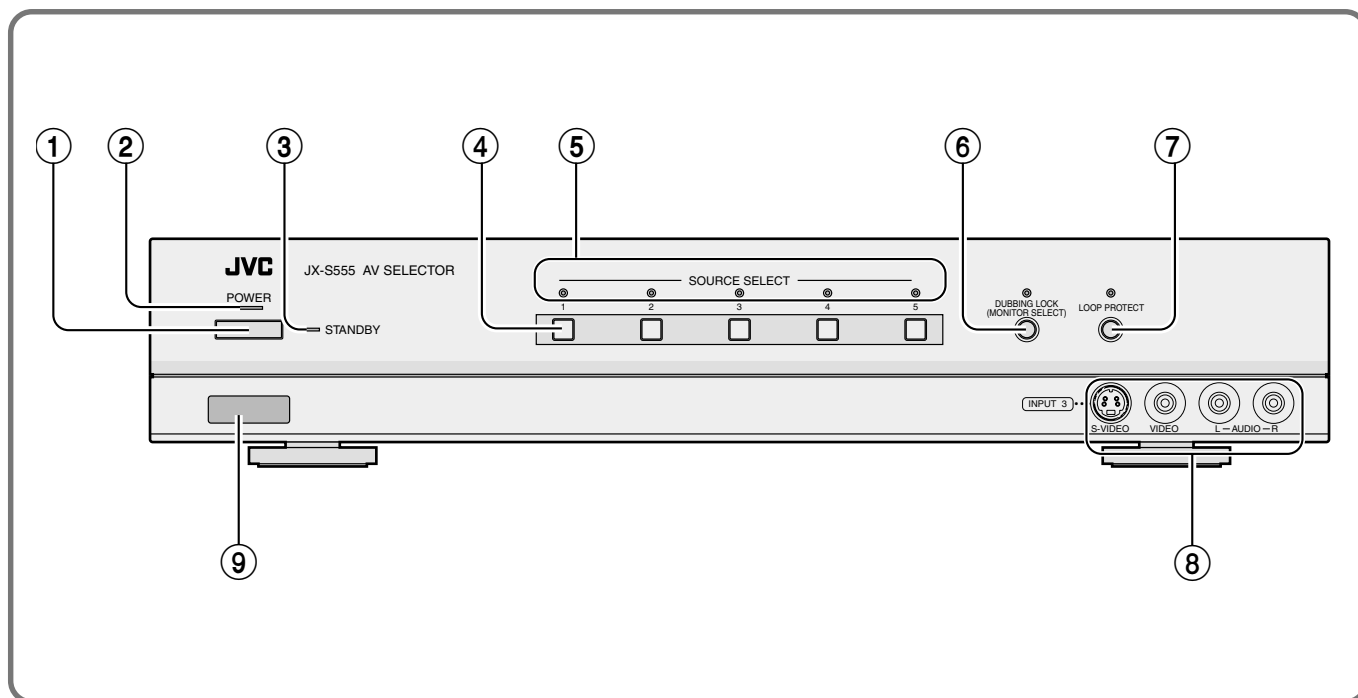
System Configuration Example

The AV Selector Expands the Dimensions of the AV World.



Connectors, Controls and Indicators

Front Panel



① POWER button

Press to turn the power ON or OFF.

② POWER Indicator

The green LED lights when the POWER is set to ON.

③ STANDBY Indicator

The red LED is extinguished when the POWER is ON, but lights when it is OFF to indicate the Standby mode.



If the unit power has been switched OFF to the Standby mode and then ON again, it can be operated using the same settings as when the power was switched OFF.

④ SOURCE SELECT buttons (p. 11, 13, 15, 17)

Press to select an input component.

⑤ SOURCE SELECT indicators

(p. 11, 13, 15, 17)

The indicator of the input component selected by the SOURCE SELECT button lights in red.

⑥ DUBBING LOCK button (p. 14, 20)

(MONITOR SELECT)

Press to disable the POWER and LOOP PROTECT button and fix the circuit output to the output connectors. This button is useful for preventing accidental or erroneous operation during dubbing. It lights in green when it is "ON".

- When one of the SOURCE SELECT buttons is pressed while DUBBING LOCK is activated, only the VIDEO output from the MONITOR output is switched without changing the video signal being dubbed through the VIDEO output.

⑦ LOOP PROTECT button (p. 13, 15, 19)

Press this button when you don't want the signal selected by the SOURCE SELECT button to be sent to the corresponding output terminal.

- ON: The input (video/audio) signals are not output at the output terminal having the same number as the input terminal.
- OFF: The input (video/audio) signals are output at the output terminal having the same number as the input terminal.

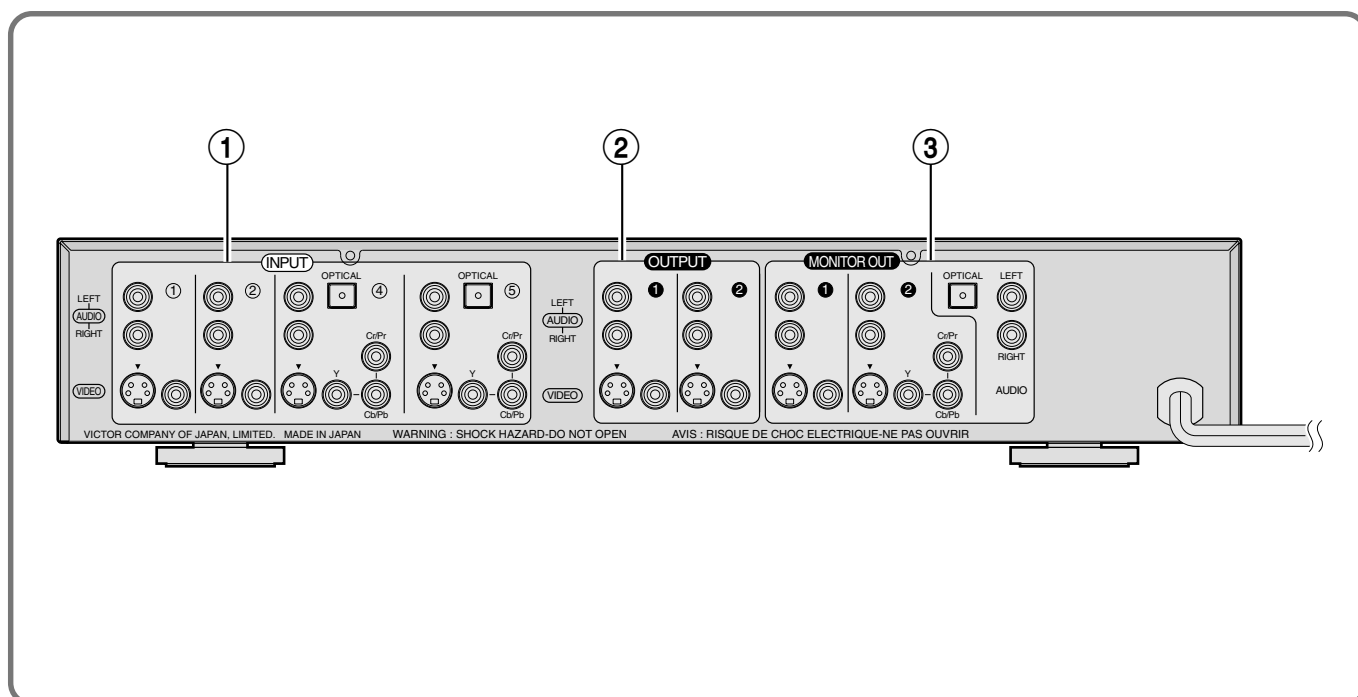
⑧ Input terminals (INPUT 3)

INPUT 3 : This set of input terminals includes an S-VIDEO input terminal, VIDEO input terminals and AUDIO input terminals. It is used for dubbing from a camcorder, etc.

⑨ Remote sensor

The remote control signals enter the unit by this route.

Rear panel



① Input terminals (INPUT ①, ②, ④, ⑤)

Up to five source components (including one connected to the front panel input terminals) can be connected to the five sets of inputs of the JX-S555.

INPUT ①, ②: Each of these includes an S-VIDEO input terminal, VIDEO input terminal and AUDIO input terminals.

Connect to the S-VIDEO or VIDEO output terminal and AUDIO outputs on an AV component such as a VCR.

INPUT ④, ⑤: Each of these includes an S-VIDEO input terminal, component video input terminal and AUDIO input terminals and an OPTICAL (digital) audio input connectors.

The component output on a DVD player or DSS and optical output can be connected.



- Connect to a component having a 3-pin component video output terminals for the Y/Cb/Cr or Y/Pb/Pr signals.

- The video signal input at the component video input terminal is output only at the component output terminal of the MONITOR OUT ②.

② Output terminals (OUTPUT ①, ②)

Up to two components can be connected to the outputs of the JX-S555.

OUTPUT ①, ②: Each of these includes an S-VIDEO output terminal; VIDEO output terminals and AUDIO output terminals.

③ MONITOR output terminals (MONITOR OUT ①, ②, AUDIO, OPTICAL (digital))

Connect the monitor output components to these outputs.

- MONITOR ①: This set of terminals includes an S-VIDEO output terminal, VIDEO output terminal and an AUDIO output terminal.

Connect to the S-VIDEO or VIDEO input terminal and AUDIO input connector on a TV.

- MONITOR ②: This set of terminals includes an S-VIDEO output terminal; component video output terminals and AUDIO output terminals.

Connect to a TV equipped with component input terminals.



- Even when this output is connected to the component input terminals of a TV, connect the S-VIDEO terminal or VIDEO terminals and AUDIO terminals of the MONITOR OUT ① to another input circuit of the TV.

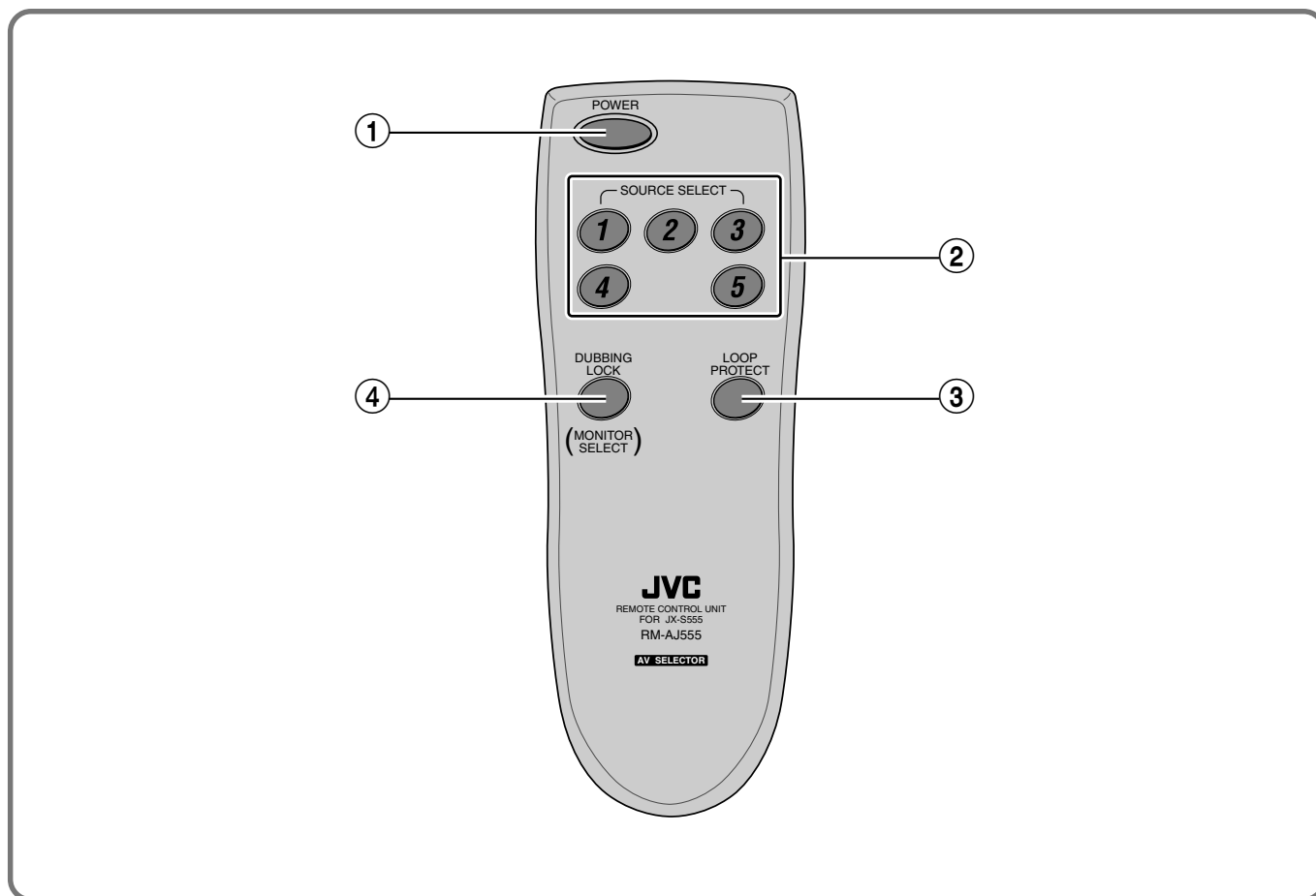
- The S-VIDEO terminals and AUDIO output terminals of the MONITOR OUT ① and ② outputs output the same signal.

- The S-VIDEO output of the MONITOR OUT ② is convenient for connecting a projector.

- OPTICAL AUDIO output connectors (see p. 16, 21)
Connect to the optical digital audio input connector of an DVD/MD component or AV receiver, etc.

Connectors Controls, and Indicators (Remote Control Unit)

Remote Control Unit



① POWER button

Press to turn the power ON or OFF.

② SOURCE SELECT buttons (see p. 11, 13, 15, 17)

Press to select an input component.

③ LOOP PROTECT button (see p. 13, 15, 19)

Press this button when you don't want the signal selected by the SOURCE SELECT button to be sent to the corresponding output terminal.

ON: The input (video/audio) signals are not output at an output terminal having the same number as the input terminal.

OFF: The input (video/audio) signals are output at the output terminal having the same number as the input terminal.

④ DUBBING LOCK button (see p. 14, 20)

(MONITOR SELECT)

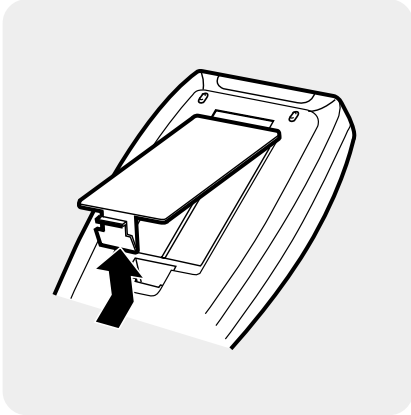
Press to disable the POWER and LOOP PROTECT button and fix the circuit output to the output terminals. This button is useful for preventing accidental or erroneous operation during dubbing.

- When one of the SOURCE SELECT buttons is pressed while the DUBBING LOCK is activated, only the VIDEO output from the MONITOR output is switched without changing the video signal being dubbed through the VIDEO output.

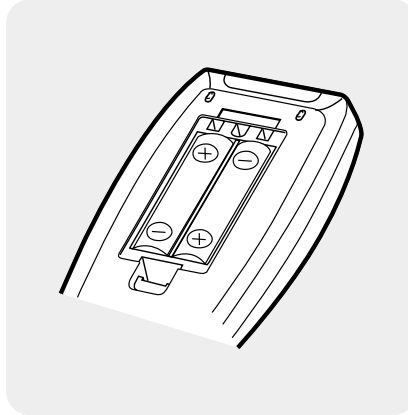
Using the Remote Control Unit

Battery Installation

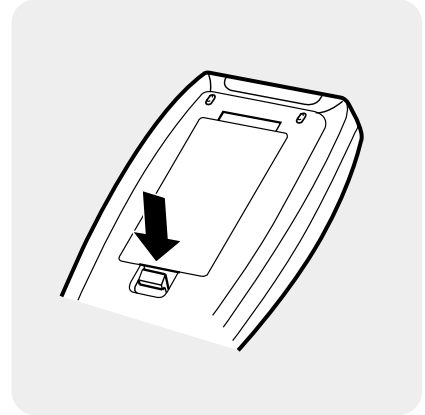
Press the tab to remove the cover of the battery compartment.



Insert two "AA" (R6, UM-3) dry-cell batteries.



Replace the cover.



Notes:

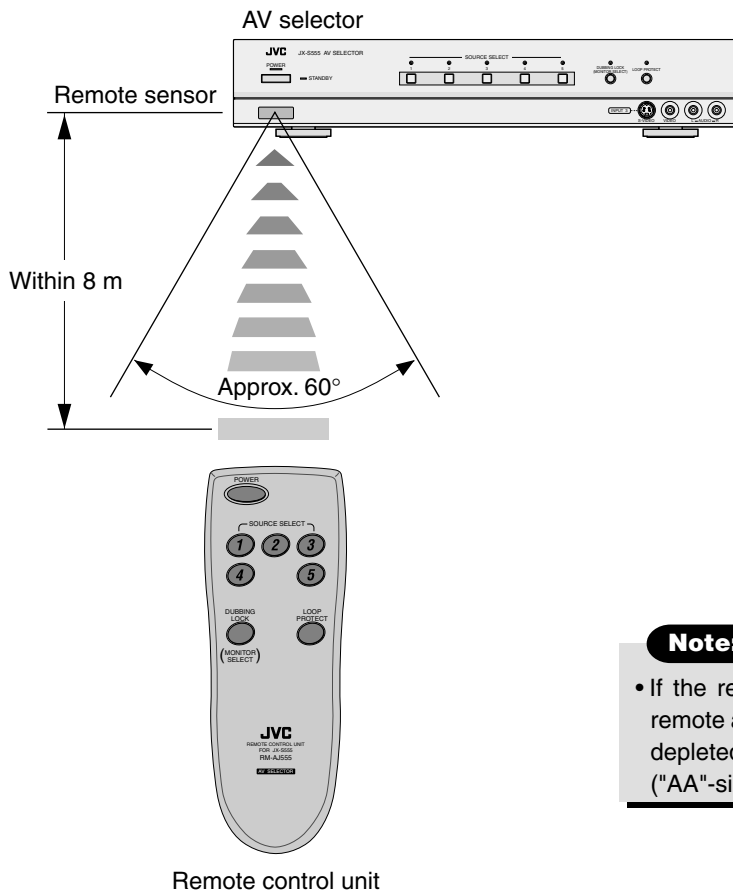
Misuse of batteries could result in leakage. This could cause a fire or explosion.

To prevent this, pay special attention to the following points:

Battery Precautions

1. Be sure to insert the batteries with correct positive "+" and negative "-" polarities.
2. Do not heat, disassemble or short-circuit batteries and never dispose of batteries by throwing them in a fire.
3. Do not use new and old batteries together.
 - Also read the caution displayed on the battery when in use.
 - *The provided batteries are for checking operation only.

Transmitted beam effective area



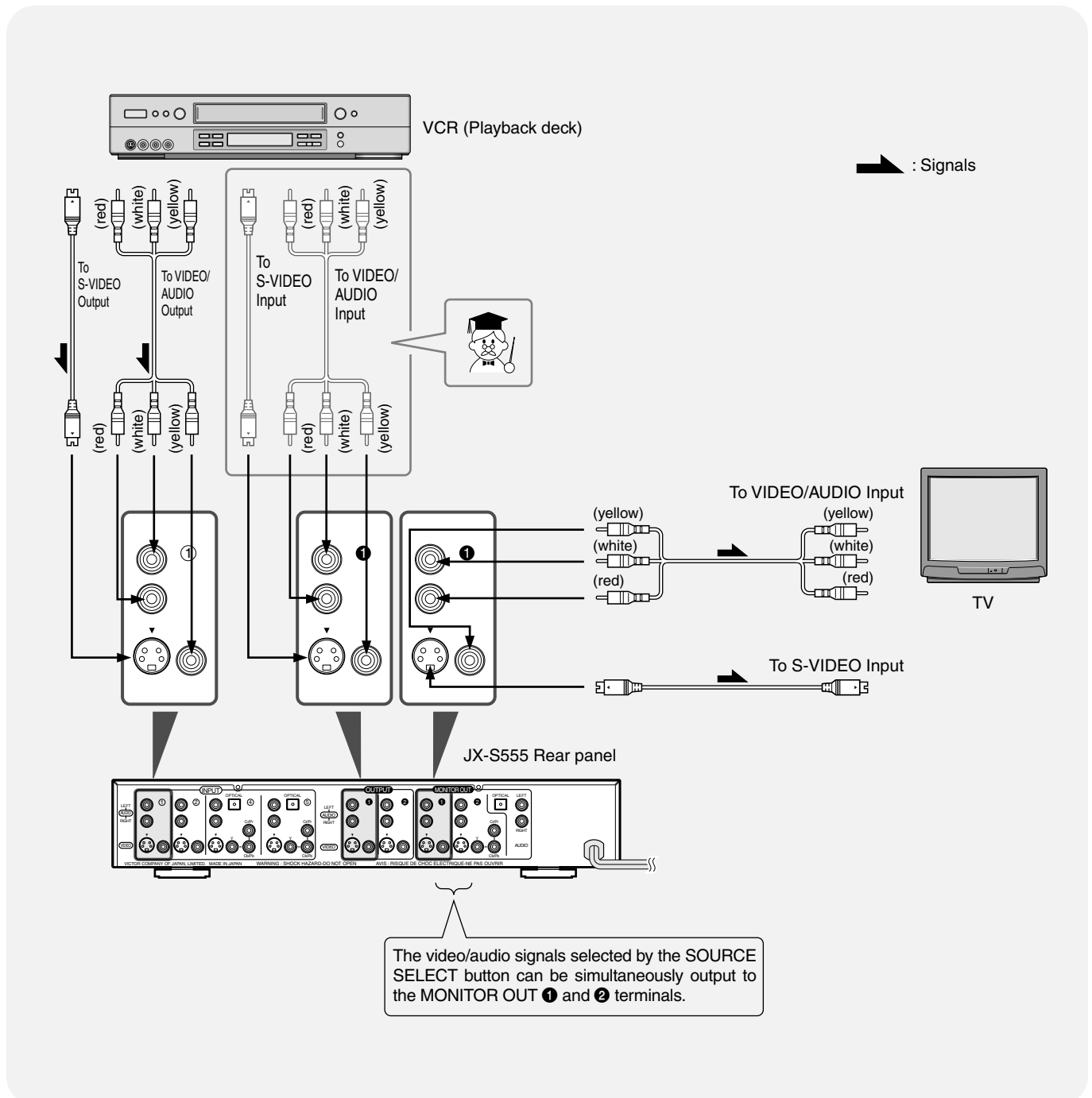
Note:

- If the remote controllable distance between the remote and main unit decreases, the batteries are depleted and should be replaced with new ones ("AA"-size (R6/UM-3) batteries).

Watching Video

Connect a VCR to INPUT ① of the JX-S555 and watch the video played back on the VCR.

- This shows an example of one of several possible connections. Also refer to the instruction books of the other components you are using for operation and connection details.



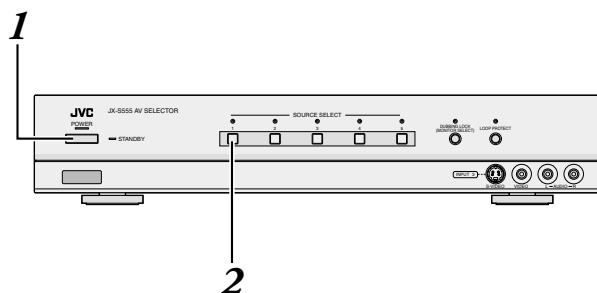
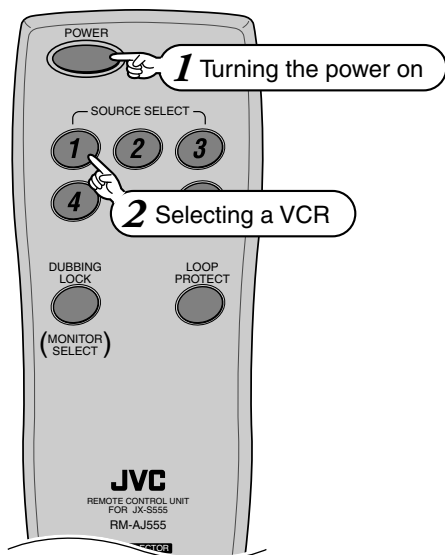
Connection precautions

- Before making any connections, turn off the power to all components.
- The S-VIDEO and VIDEO (yellow) terminals do not need to be connected simultaneously. If your connected VCR or TV has S-VIDEO input/output terminals, a clearer video can be viewed by connecting it to the S-VIDEO terminal.
- If both the S-VIDEO input terminal and the VIDEO input terminal are connected between the VCR and the JX-S555, the signal from the S-VIDEO input terminal is given priority.



Connection tips

- Connect to the OUTPUT terminals on the JX-S555 so that the VCR can be used as a recording machine.



1. Press POWER to turn on the JX-S555.

- The POWER indicator lights in green.



2. Press SOURCE SELECT "1" to select VCR1.

- The indicator lights in red.



- If the SOURCE SELECT "1" indicator on the JX-S555 is already lit, it is not required to press the SOURCE SELECT "1" button.

3. Turn the TV on and select the input.

- Turn the TV on and select the input connected to the MONITOR OUT terminals on the JX-S555.

4. Turn on the VCR's power and start playback.

VCR

PLAY



- When you want to watch a video on another VCR, press the SOURCE SELECT button to select the line number that the VCR is connected to.

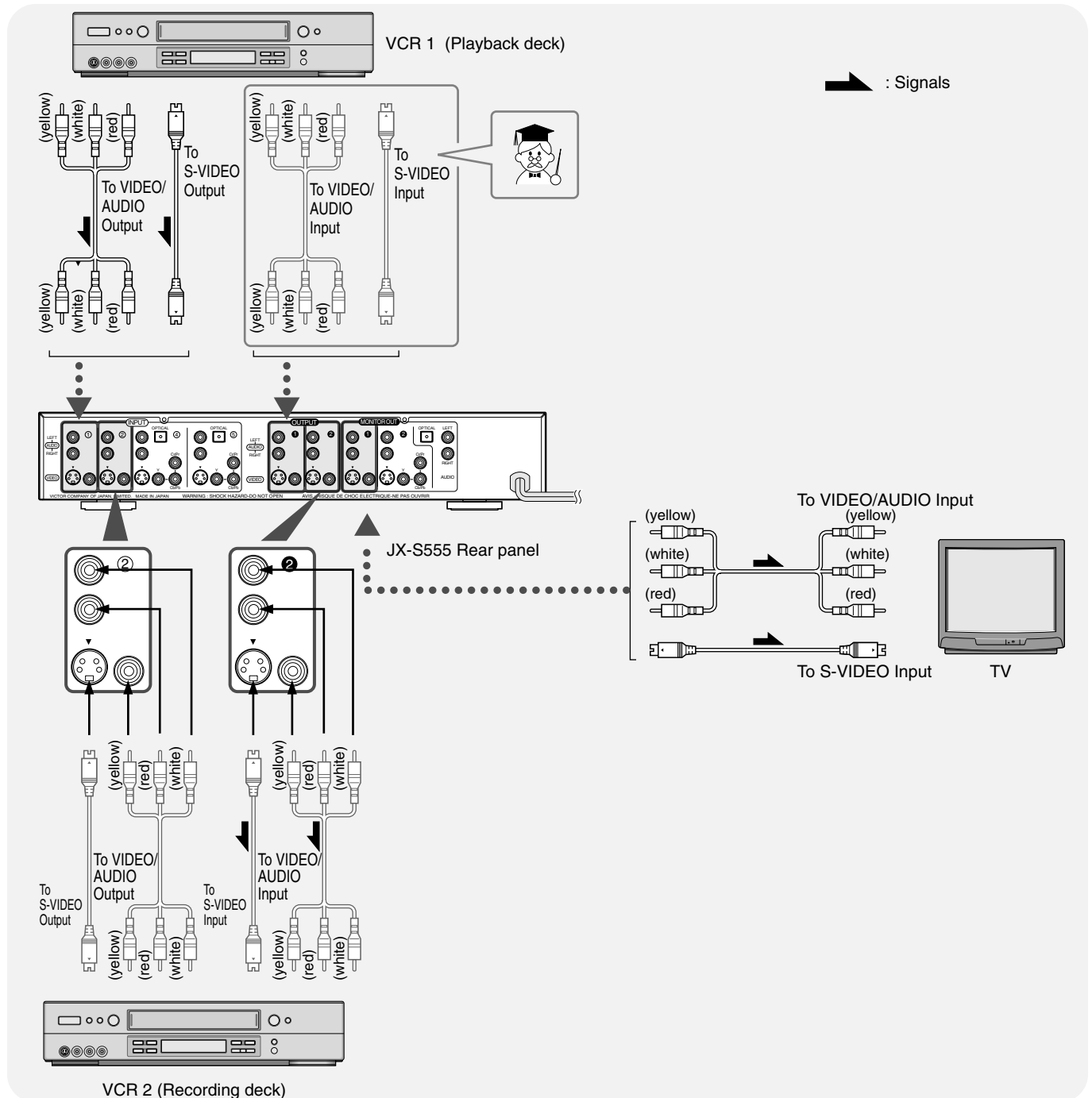
Notes:

- Set the LOOP PROTECT button to ON. (p. 19)
- You can not operate the POWER and LOOP PROTECT buttons when the DUBBING LOCK button is pressed. (p. 20)

Dubbing (Multi-dubbing)

You can dub a video program from VCR 1 (INPUT ①) to VCR 2 (OUTPUT ②).

This shows an example of one of several possible connections. Also refer to the instruction books of the other components you are using for operation and connection details.



Connection precautions

- Before making any connections, turn off the power to all components.
- The S-VIDEO and VIDEO (yellow) terminals do not need to be connected simultaneously. If your connected VCR or TV has S-VIDEO input/output terminals, a clearer video can be viewed by connecting it to the S-VIDEO terminal.
- If both the S-VIDEO input terminal and the VIDEO input terminal are connected between the VCR and the JX-S555, the signal from the S-VIDEO input terminal is given priority.

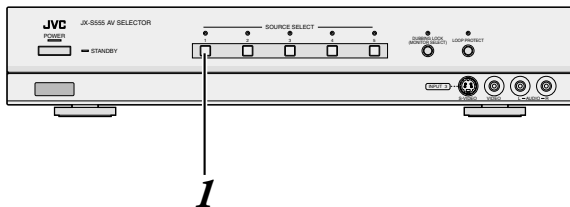
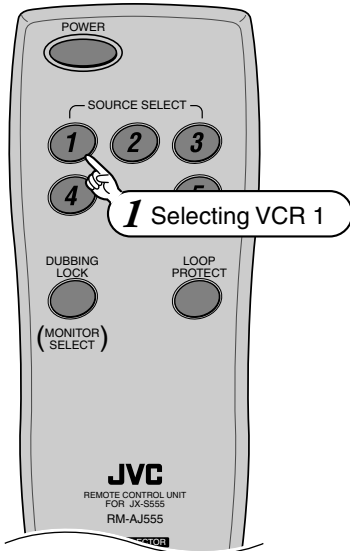


Connection tips

- Connect to the OUTPUT ① terminals on the JX-S555 so that VCR 1 can be used as a recording machine. (Connect the output terminals on VCR 2 to the INPUT ② terminals on the JX-S555.)

Preparation

- Turn on the power of the JX-S555.
- Turn on the TV and select the input connected to the MONITOR OUT terminals on the JX-S555.
- Turn on the power of VCR to prepare for dubbing.



- To watch a video obtained by dubbing, press the SOURCE SELECT button of the input where the dubbing destination VCR is connected.

1. Press SOURCE SELECT "1" to select VCR1 as the source component.

- The indicator lights in red.



- If the SOURCE SELECT "1" indicator on the JX-S555 is already lit, it is not required to press the SOURCE SELECT "1" button.)

2. Play back a tape on VCR 1.

VCR 1
PLAY



3. Start recording on VCR 2.

VCR 2

REC



Notes:

- Set the input switch on the recording VCR to the external input mode (AUX) when dubbing.
- Set the recording VCR to S-VIDEO input when using an S-VIDEO input terminal for recording.

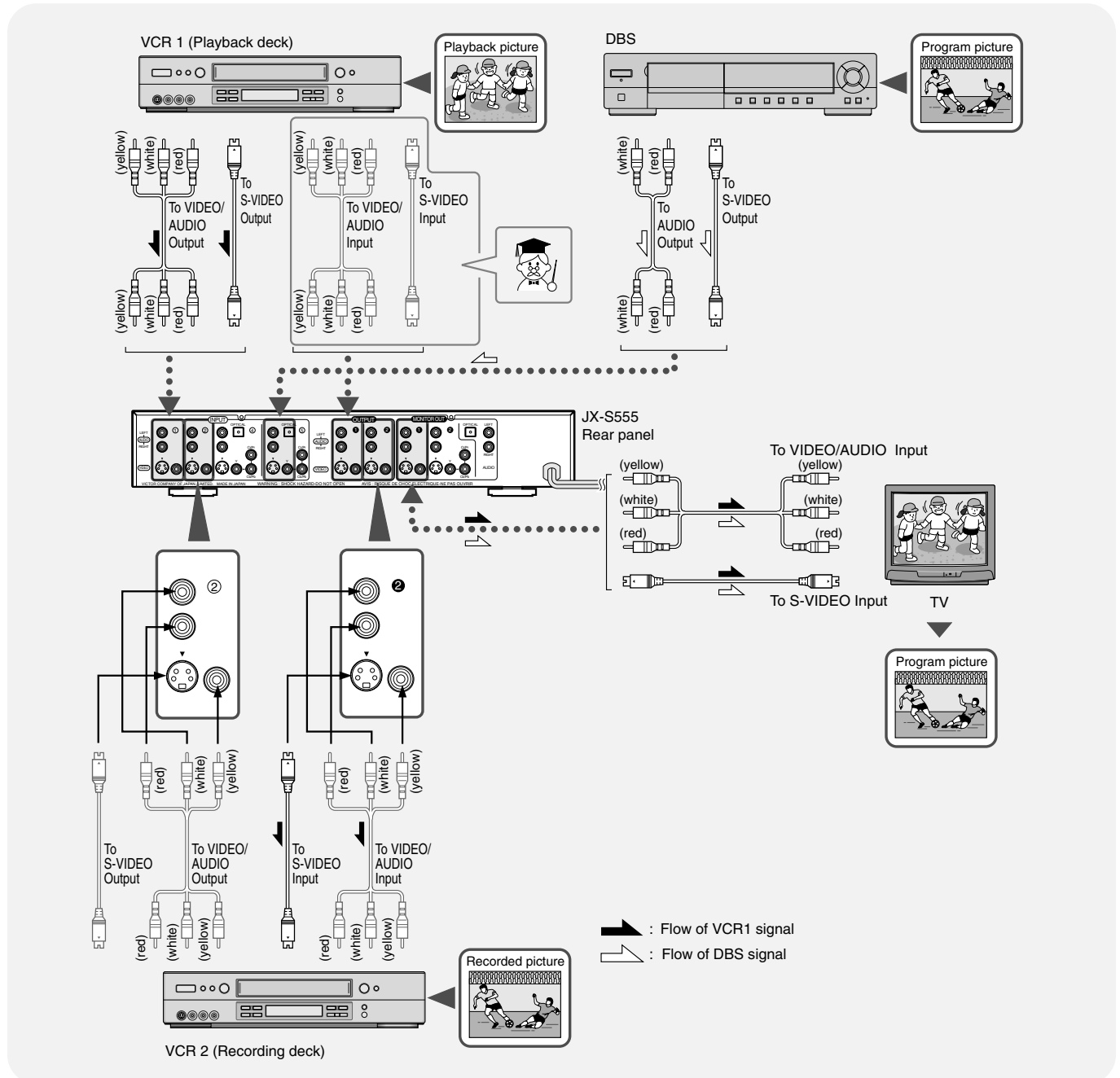
Notes:

- Leave the LOOP PROTECT button ON (p. 19).
- Some video software may contain signals to prevent it from being copied. If you try to copy such a program, the results will not be viewable.
- Recording of copyrighted material for purposes other than personal use is illegal without permission of the copyright holder.

Watching a Video Program While Recording Another one (Dubbing Lock)

Connect the VCR 1 for use in watching to INPUT ①, connect the VCR 2 for use in recording to INPUT ②, connect a DBS to the INPUT ⑤ and watch the DBS video while performing dubbing from the VCR1 to the VCR 2:

This shows an example of one of several possible connections. Also refer to the instruction books of the other components you are using for operation and connection details.



Connection precautions

- Before making any connections, turn off the power to all components.
- Although it is not required to connect both the S-VIDEO terminal and VIDEO terminals (yellow), it is recommended to connect the S-VIDEO terminals if your TV and/or VCR have the S-VIDEO inputs/outputs. This will allow you enjoy video with a higher picture quality.
- If both the S-VIDEO input terminal and the VIDEO input terminal are connected between the VCR and the JX-S555, the signal from the S-VIDEO input terminal is given priority.

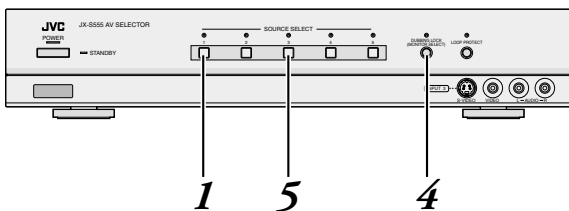
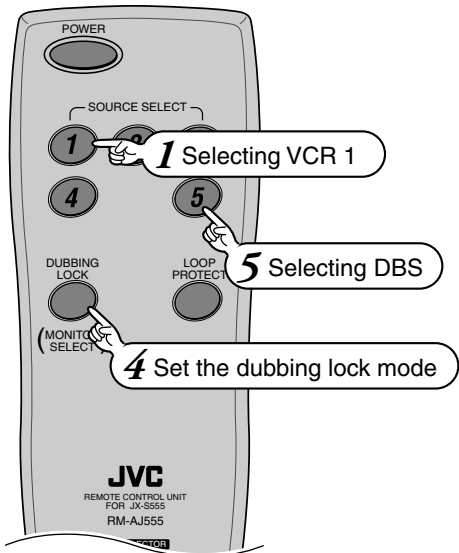


Connection tips

- Connect to the OUTPUT ① terminals on the JX-S555 so that VCR 1 can be used as a recording machine. (Connect the output terminals on VCR 2 to the INPUT ② terminals on the JX-S555.)

Preparation

- Turn on the power of the JX-S555.
- Turn on the TV and select the input connected to the MONITOR OUT terminals on the JX-S555.
- Turn on the power of the DBS to prepare for recording and playback.



To exit from dubbing lock mode:

- Press DUBBING LOCK again.



• When the input source is changed by pressing one of the SOURCE SELECT buttons in the dubbing lock mode, the video displayed on the TV connected to the MONITOR OUT can be changed without affecting the video being dubbed.

Notes:

- Set the LOOP PROTECT button to ON. (p. 19)
- You can not operate the POWER and LOOP PROTECT buttons when the DUBBING LOCK button is pressed. (p. 20)

1. Press SOURCE SELECT "1" to select VCR1 as the source component.

- The indicator lights in red.



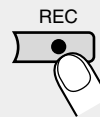
- If the SOURCE SELECT "1" indicator on the JX-S555 is already lit, it is not required to press the SOURCE SELECT "1" button.

2. Start playback of VCR1.

- The VCR1 playback video is displayed on the TV screen.

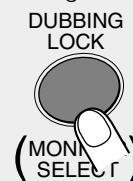


3. Start recording of VCR2.



4. Press DUBBING LOCK to set the dubbing lock mode.

- The indicator lights in green.



5. Press SOURCE SELECT "5" to watch the video of the DBS.

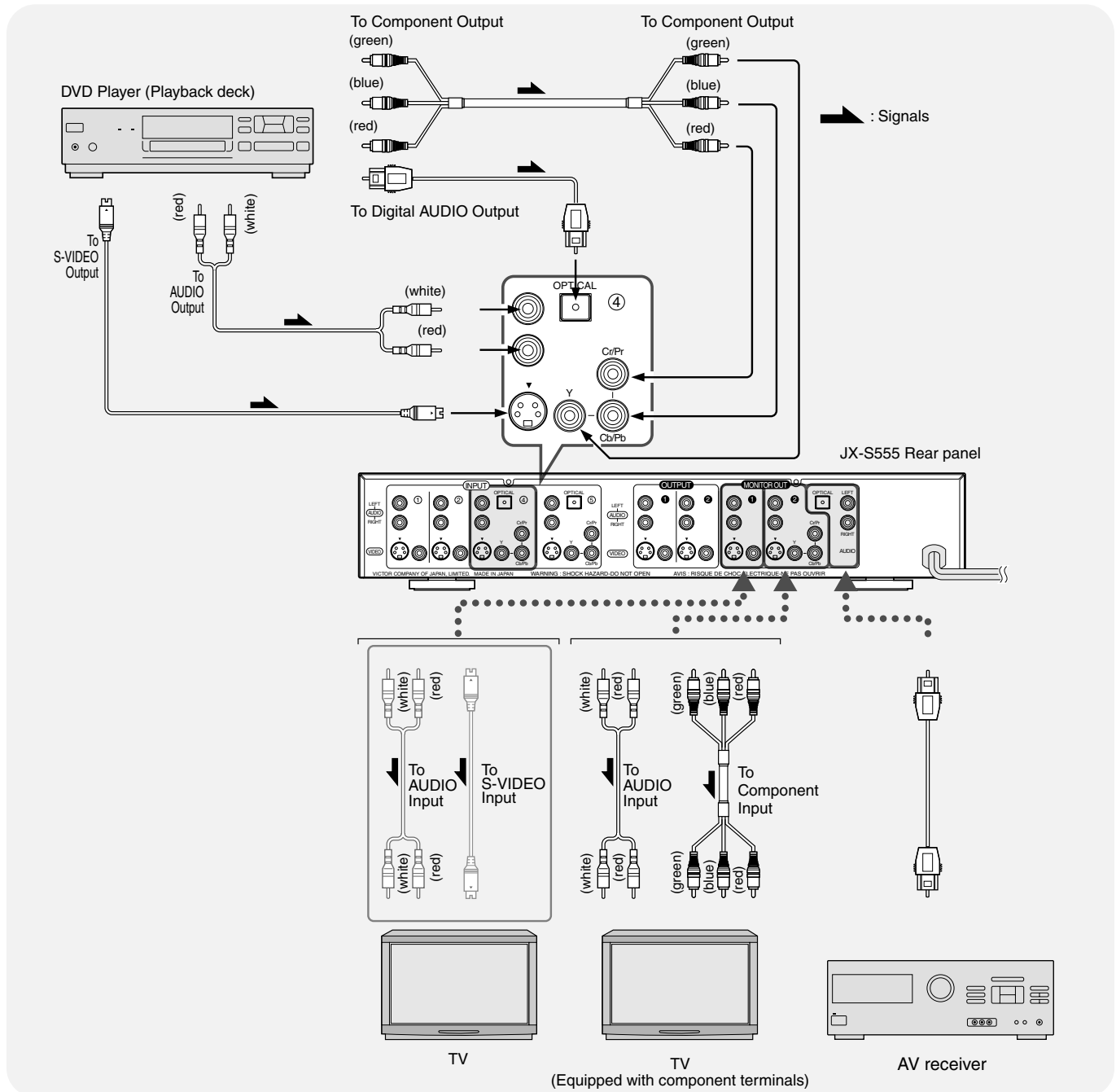
- The SOURCE SELECT "5" indicator lights in red.
- The DBS video is displayed on the TV screen.



Enjoy High-quality Video and Audio from a DVD (Optical connection)

Connect a DVD player to INPUT terminal ④, then connect a TV equipped with a component terminal to the MONITOR OUT ② and connect an AV receiver equipped with an OPTICAL connector to an OPTICAL output connector.

This shows merely an example of connection. Also refer to the Instruction books of the other components you are using for their connection and operation procedures.

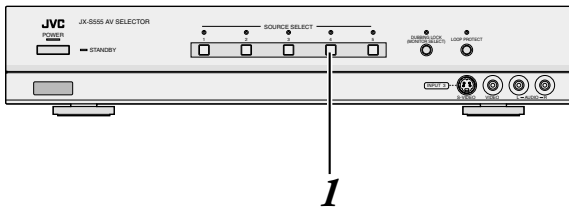
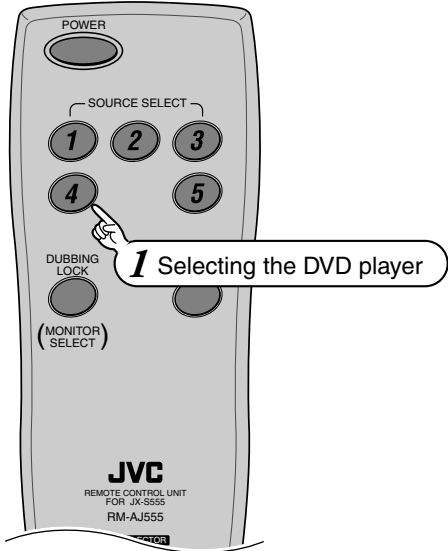


Connection precautions

- Turn off the power to all components before making connections.
- Even when connection using a component video cord output is used, also connect the S-VIDEO and audio cords. The audio cannot be output unless an audio cord is connected.
- The video signals from the VIDEO component input at INPUT ④ and ⑤ are output only at the component video output terminals of MONITOR OUT ②. The video signals are not converted into composite video and S-VIDEO signals.
- The OPTICAL signal from INPUT ④, ⑤ can only be output to the AUDIO MONITOR OUT OPTICAL connector. It is not converted to an analog AUDIO signal.
- To watch the video input to INPUT ① - ③, also connect a TV to the MONITOR OUT ①.

Preparation

- Turn ON the JX-S555.



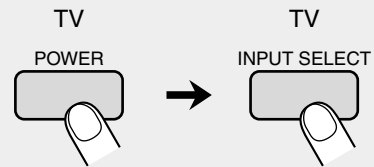
1. Press SOURCE SELECT "4" to select DVD player as the source component.

- The indicator lights in red.

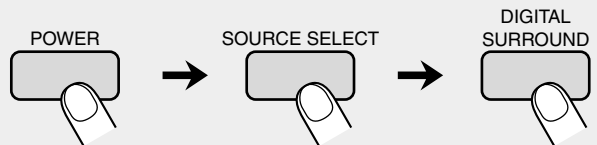


- If the SOURCE SELECT "4" indicator on the JX-S555 is already lit, it is not required to press the SOURCE SELECT "4" button.

2. Turn ON the TV and select the component video input.



3. Turn ON the AV receiver and select the OPTICAL input, then set the Digital Surround mode to ON.



4. Play the DVD.

- The DVD player video is displayed on the TV screen.



Notes:

- Some DVD software contains recording of copy inhibit signals. When such software is dubbed between VCRs, the copy guard system functions to make the dubbed results abnormal.
- The copyright laws prohibit the use of materials recorded on videotapes by the user without the permission of the copyright owners unless the user use the tapes for personal use.

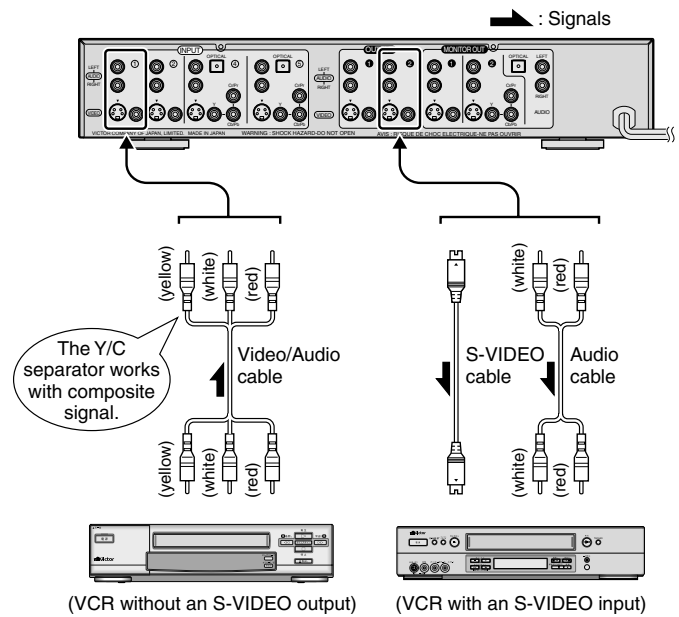
Useful Tips

S-VIDEO input/output connectors

- The S-VIDEO input/output connectors are terminals for the Y/C (luminance/chrominance) separate video signals.
- If these connectors are connected to a VCR equipped with S-VIDEO connectors, recording and playback of clearer video becomes possible by reducing loss in the video signal.
- A VCR not equipped with S-VIDEO connectors should be connected to the VIDEO terminals, which transmit the signal obtained by synthesizing the Y/C signals (composite signal).

Y/C separator

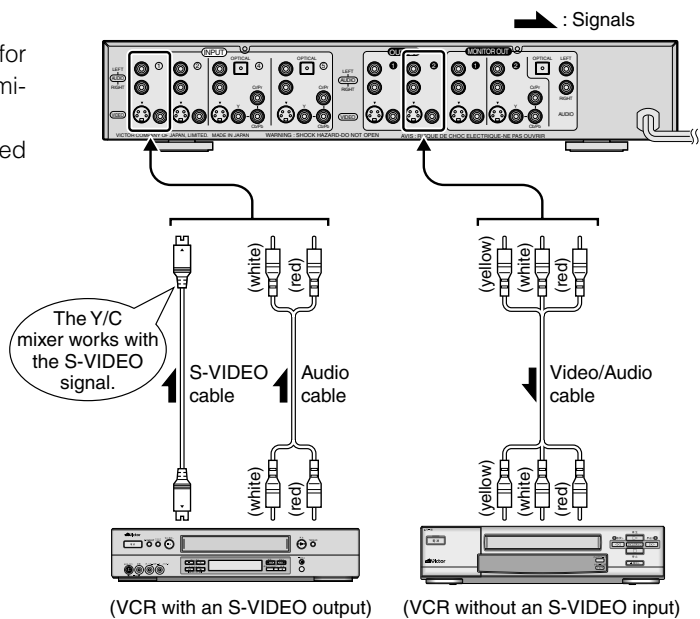
- The output circuits of the JX-S555 incorporate circuitry for separating the video signals input through the VIDEO terminals (composite signal) into Y/C (luminance/chrominance) signals. This feature is convenient in dubbing from a VCR without S-VIDEO connectors to a VCR equipped with them or watching the video from a VCR without S-VIDEO connectors on a TV equipped with them.



Example of Y/C Separator

Y/C mixer

- The output circuits of the JX-S555 incorporate circuitry for mixing the video signals input through the S-VIDEO terminals (separate signals) into a composite video signal. This feature is convenient in dubbing from a VCR equipped with S-VIDEO terminals to a VCR without them.

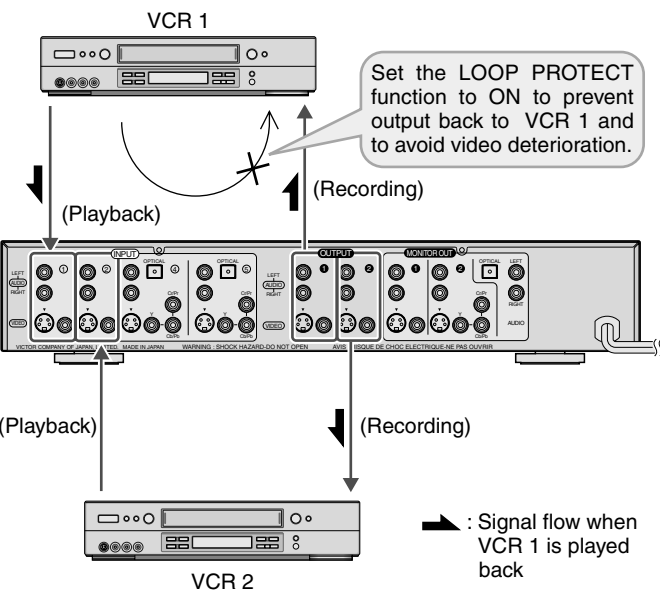


Example of Y/C Mixer

LOOP PROTECT function

The LOOP PROTECT ON/OFF function determines whether the input (video/audio) signal is output to the corresponding output terminal. Normally leave this button ON.

■ LOOP PROTECT ON (Signal cannot be output to itself) (The LOOP PROTECT indicator is lit)

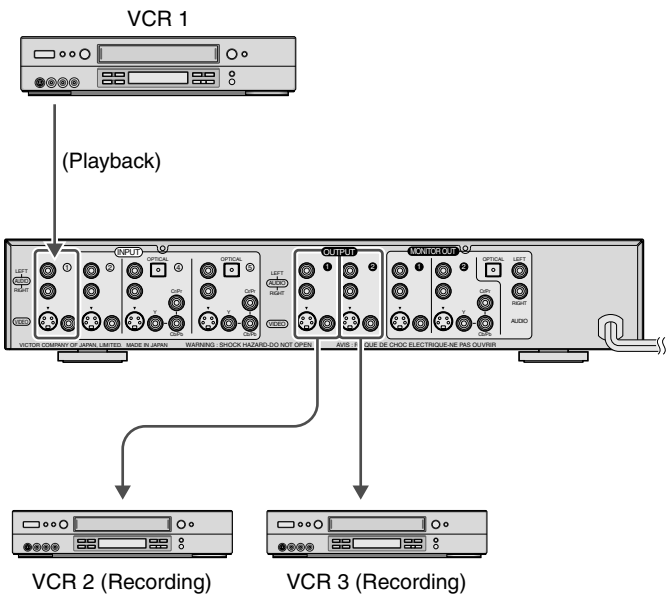


Connect INPUT/OUTPUT 1 on the JX-S555 to VCR 1 and INPUT/OUTPUT 2 to VCR 2 to enable both to be used as recording or playback decks in multi-dubbing.

The video/audio signals from VCR1 are output to VCR2 but they are also output to VCR1 (because the OUTPUT ❶ of the JX-S555 is connected to the input of VCR1).

In this case, the image from VCR 1 will be degraded, preventing high-quality dubbing. Set the LOOP PROTECT function to ON to prevent signal deterioration and stop output to OUTPUT ❶.

■ LOOP PROTECT OFF (Signal can be output to itself) (The LOOP PROTECT indicator is off)



When dubbing from VCR 1 to 2 different VCRs, one more set of OUTPUT terminals is required when connecting INPUT/OUTPUT 1 on the JX-S555 to the INPUT/OUTPUT on VCR 1.

When you want to extend a set of the OUTPUT terminals, set the LOOP PROTECT function to OFF, and connect the OUTPUT ❶ terminals on the JX-S555 to the recording VCR.

When the LOOP PROTECT function is set to OFF, the same signal can be output to all the OUTPUT terminals.

DUBBING LOCK button

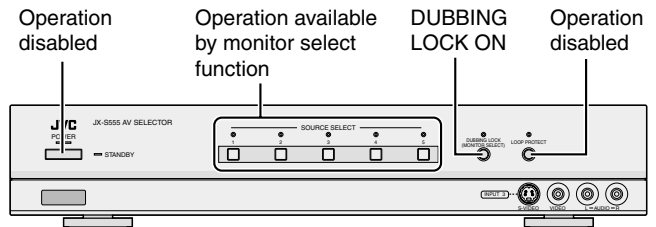
• DUBBING LOCK button

Provides the dubbing lock function for prevention of accidental operational mistakes as well as a monitor select function for watching a video program while recording another.

Dubbing lock function

When the DUBBING LOCK button is pressed while the VCR for recording is in use, the POWER and LOOP PROTECT buttons are disabled.

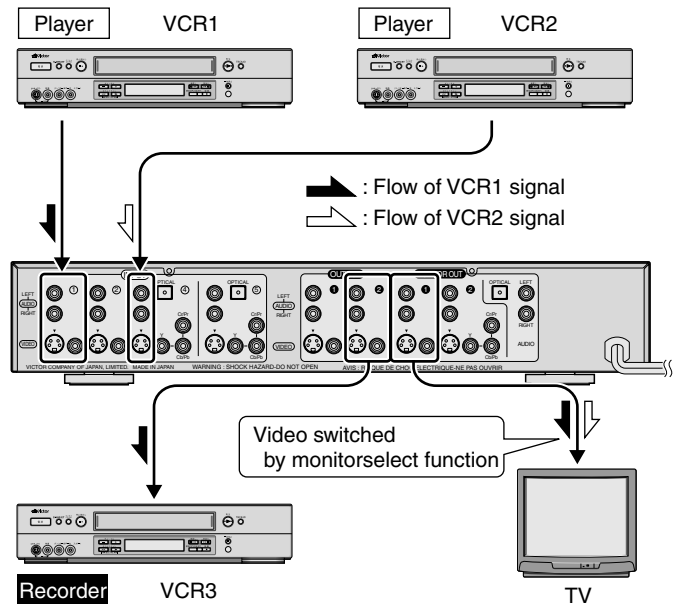
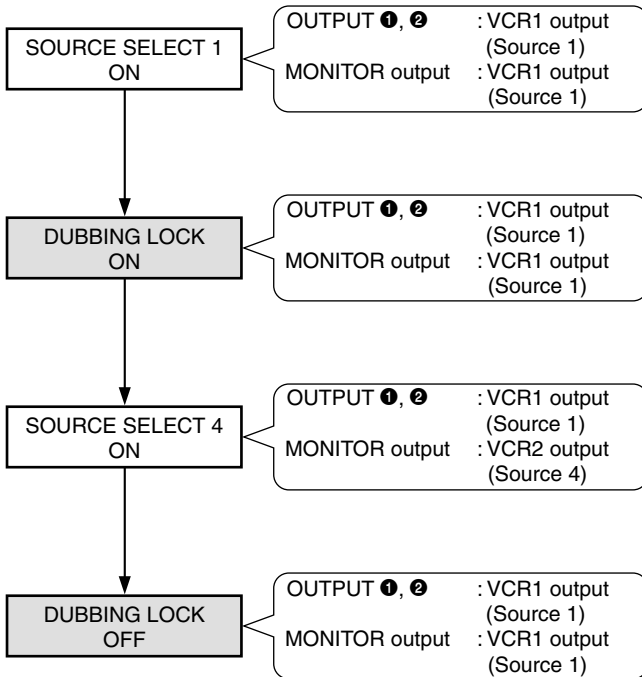
Also, even when the SOURCE SELECT button is pressed by mistake, the dubbing lock function keeps the signal output from the output terminals so that the recording of the VCR can be continued.



Monitor select function

This function is most often used in “watching a video program while recording another one”. Pressing the DUBBING LOCK button during recording sets the dubbing lock mode, the user can change the video displayed on the TV screen by pressing one of the SOURCE SELECT buttons. (The SOURCE SELECT “1” and “4” indicators light in red.)

• Flow of monitor select function depending on the DUBBING LOCK button



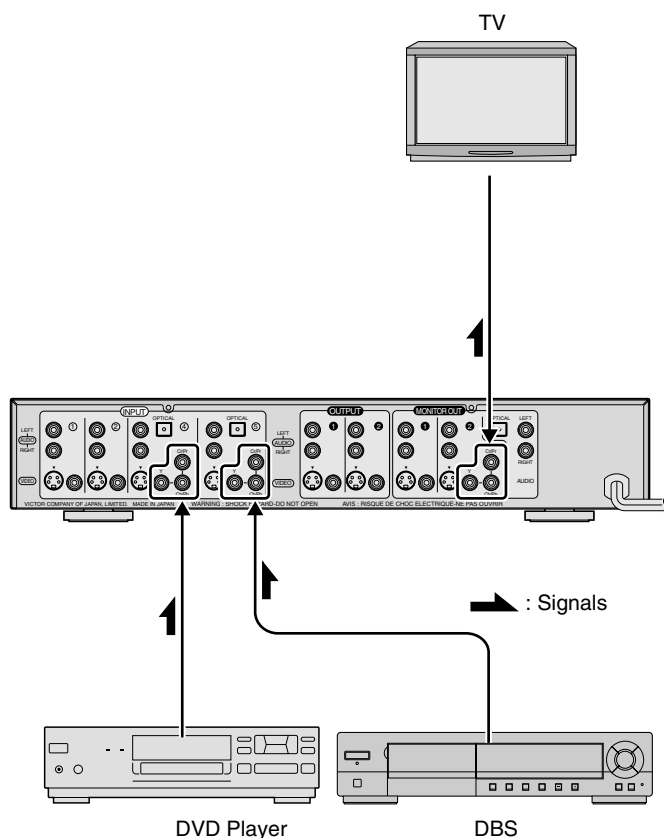
Useful Tips (continued)

Component terminals

- Component connection is recommended when connecting a DVD player or DBS (equipped with component input terminals) to a TV.

Since a DVD disc is encoded with a component video (Y color difference) signal format it can reproduce better quality color than the composite or S-VIDEO signal used in a VCR.

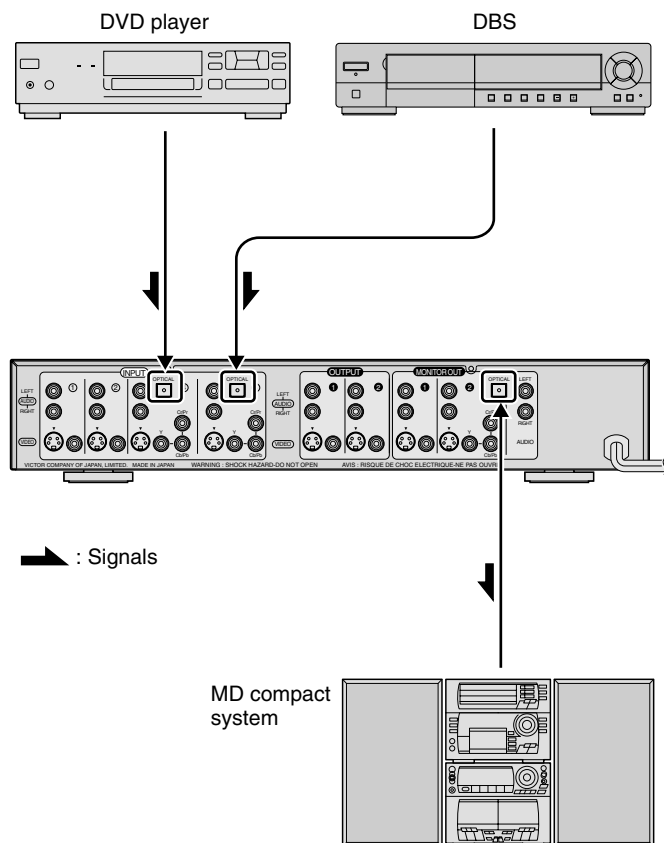
With a component connection, the signal encoded on a DVD disc can be output in its original form to maintain the highest quality picture.



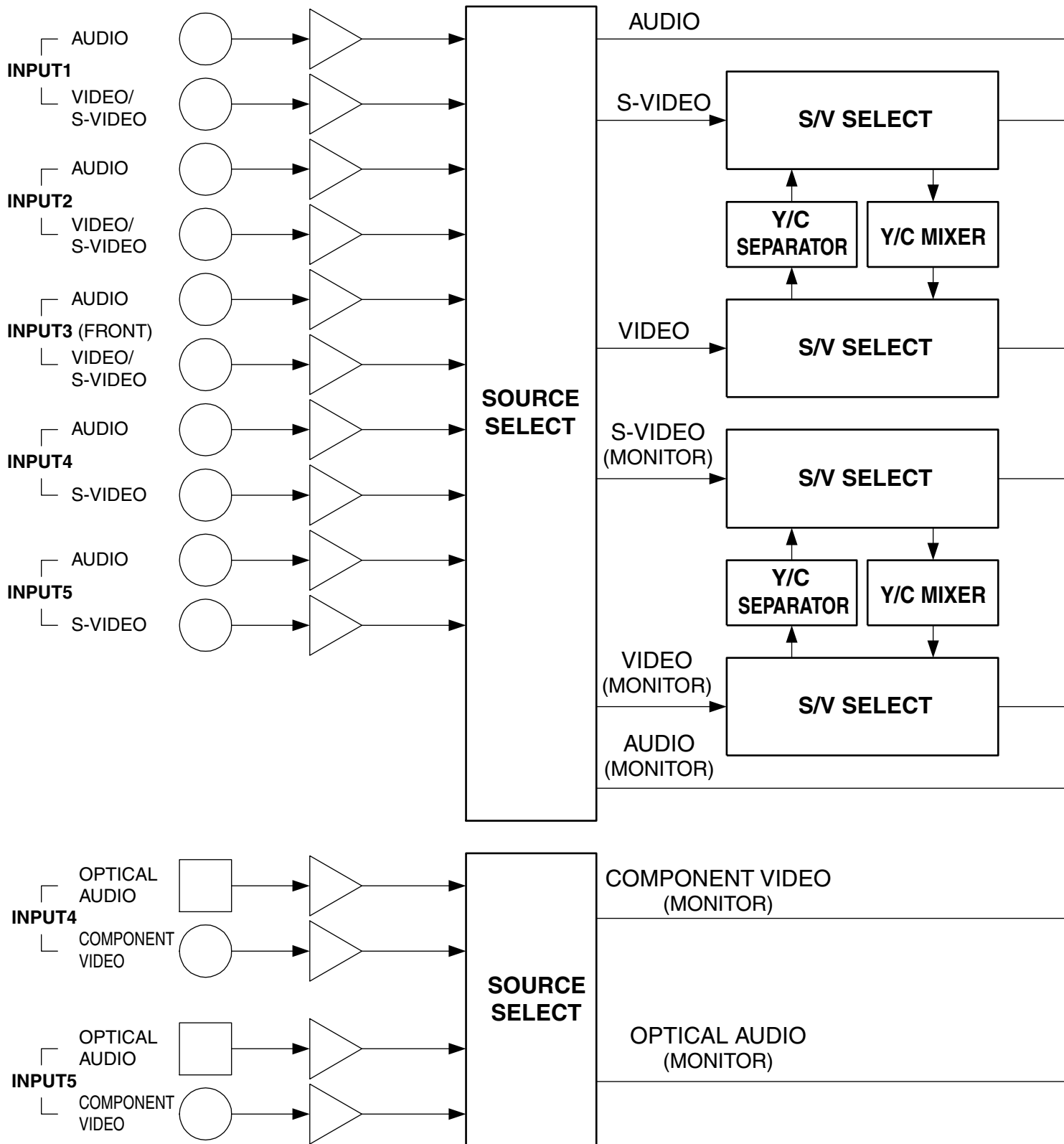
OPTICAL connector

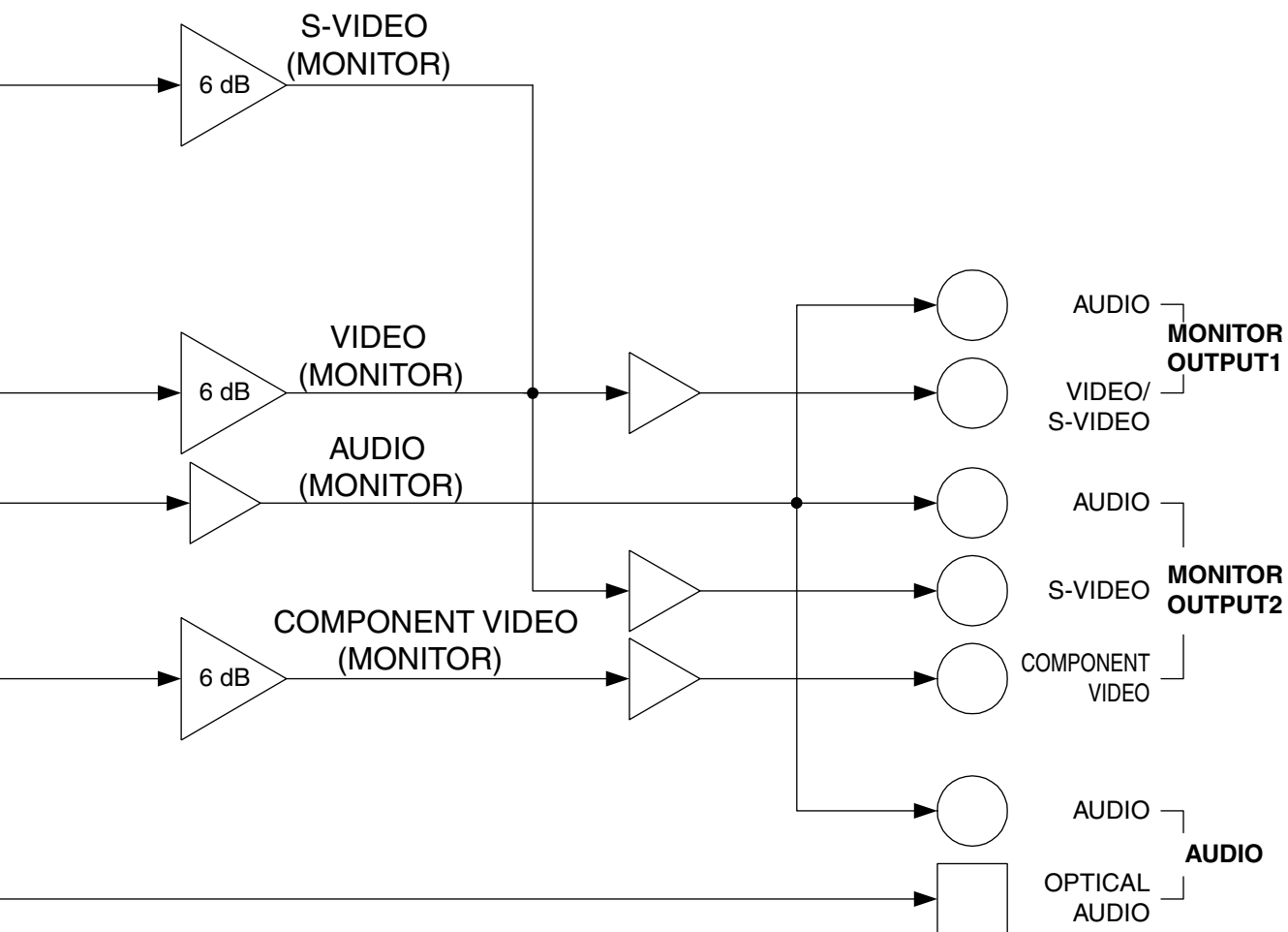
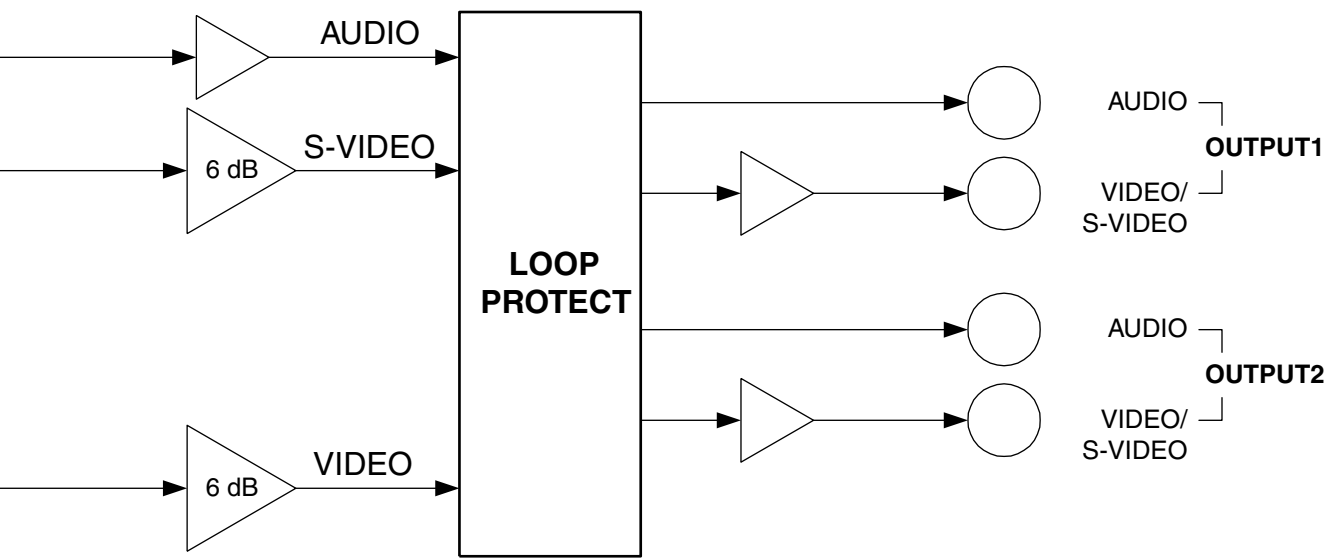
- High quality digital audio recording is possible from a DVD player or DBS to an MD recorder using the JX-S555's OPTICAL connector.

An OPTICAL connector outputs the digital audio from a DVD player or DBS as an optical signal to maintain its purity.



Block Diagram





Troubleshooting

- The JX-S555 incorporates a microcomputer, which may malfunction due to external interference or noise. If this trouble cannot be resolved by checking the items in the following table, reset the microcomputer by turning off the JX-S555, unplugging its power cord from the wall outlet, plugging it in again and then checking the operation.

Symptom		Cause	Remedy	Page
Power	No power	<ul style="list-style-type: none"> • Is the power cord disconnected from the AC outlet? 	<ul style="list-style-type: none"> • Insert the power plug firmly into the AC outlet. 	—
	Unit cannot be turned OFF	<ul style="list-style-type: none"> • Make sure that the DUBBING LOCK function is set to ON. 	<ul style="list-style-type: none"> • Press the POWER button after setting the DUBBING LOCK function OFF. 	20
Playback	Required picture won't appear	<ul style="list-style-type: none"> • Is the required video component connected to the corresponding INPUT/OUTPUT terminals correctly? • Is the monitor TV connected to the MONITOR OUT terminals correctly? 	<ul style="list-style-type: none"> • Check the connections again and reconnect correctly. • Check the connections again and reconnect correctly. 	10,14 10,14
	The picture appears distorted during playback	<ul style="list-style-type: none"> • Is the LOOP PROTECT button pressed OFF? 	<ul style="list-style-type: none"> • Set the LOOP PROTECT button to ON. 	11,19
Recording	No picture recorded on the edited tape.	<ul style="list-style-type: none"> • Are the playback and recording VCRs connected correctly to the INPUT/OUTPUT terminals? Also, is the correct SOURCE SELECT button selected? • Is the DUBBING LOCK function set? • Is the input select switch on the recording VCR set to the "AUX" position? • Is the video input select switch on the recording VCR with S-VIDEO terminals set to the "S-VIDEO IN" position or "VIDEO input" position? 	<ul style="list-style-type: none"> • Check the connections again and reconnect correctly before selecting the correct SOURCE SELECT button. • Press DUBBING LOCK to OFF before pressing a SOURCE SELECT button. • Set the input select switch on the recording VCR to "AUX". • Set the video input switch on the recording VCR to the correct position. • Some video software may contain signals to prevent it from being copied. If you try to copy such a program, the results will not be viewable. 	12,13 14, 20 13 13 —
	Dubbing operations are not possible when using equipment connected to the component terminal.	<ul style="list-style-type: none"> • Conversion is not possible from the component terminal to the S-VIDEO/VIDEO terminals. 	<ul style="list-style-type: none"> • Use the S-VIDEO terminal or connect a recording VCR to the MONITOR OUT 2 terminal. 	16
	No sound recorded on the edited tape	<ul style="list-style-type: none"> • Are the video components etc. connected to the AUDIO input terminals correctly? 	<ul style="list-style-type: none"> • Check the connections again and reconnect correctly. 	12

	Symptom	Cause	Remedy	Page
Watching	No picture displayed on TV	<ul style="list-style-type: none"> • Is the SOURCE SELECT button for the source component selected correctly? 	<ul style="list-style-type: none"> • Check the pressed SOURCE SELECT button and press the correct button. 	10
		<ul style="list-style-type: none"> • Is the TV connected properly to the MONITOR output? 	<ul style="list-style-type: none"> • Check the connection and connect it properly. 	10
<ul style="list-style-type: none"> • Is the TV's input selector set correctly? 		<ul style="list-style-type: none"> • Check the TV's input selector. 	11	
	No picture displayed on TV with component input	<ul style="list-style-type: none"> • Is a TV with a component input connected and set correctly? 	<ul style="list-style-type: none"> • Check the component input correction by referring to the TV's instruction manual. 	16
Other	Remote control not working	<ul style="list-style-type: none"> • Are the remote control batteries exhausted? 	<ul style="list-style-type: none"> • Replace both batteries with new ones. 	9
		<ul style="list-style-type: none"> • Are the batteries inserted with correct polarity (⊕ and ⊖)? 	<ul style="list-style-type: none"> • Insert them correctly. 	9

Specifications

Design and specifications subject to change without notice.

Product name	AV selector
Input/output terminals	<p>Inputs: 5 lines (S-VIDEO, VIDEO, AUDIO L/R) x 3, (Component, S-VIDEO, AUDIO L/R) x 2</p> <p>Outputs: 2 lines (S-VIDEO, VIDEO, AUDIO L/R) x 2</p> <p>Monitor outputs: 2 lines (S-VIDEO, VIDEO, AUDIO L/R) x 1, (Component, S-VIDEO, AUDIO L/R) x 1</p> <p>Audio monitor output: 1 line (AUDIO L/R) x 1</p> <p>OPTICAL output: 1 line (AUDIO)</p>
Video inputs	<p>Reference level</p> <ul style="list-style-type: none"> • Composite signal Vp-p = 1.0 V (75 Ω) • Component signals <ul style="list-style-type: none"> Y: Vp-p = 1.0 V (75 Ω) Cb/Pb: Vp-p = 0.7 V (75 Ω) Cr/Pr: Vp-p = 0.7 V (75 Ω)
	<p>Maximum input</p> <ul style="list-style-type: none"> • Composite signal Vp-p = 1.5 V (75 Ω) • Component signals <ul style="list-style-type: none"> Y: Vp-p = 1.5 V (75 Ω) Cb/Pb: Vp-p = 1.0 V (75 Ω) Cr/Pr: Vp-p = 1.0 V (75 Ω)
Video outputs (Reference level)	<ul style="list-style-type: none"> • Composite signal Vp-p = 1.0 V (75 Ω) • Component signals <ul style="list-style-type: none"> Y: Vp-p = 1.0 V (75 Ω) Cb/Pb: Vp-p = 0.7 V (75 Ω) Cr/Pr: Vp-p = 0.7 V (75 Ω)
Video crosstalk	50 dB or more (45 dB or more between Y/C in the same channel)
Video S/N ratio	50 dB or more
Video frequency response	Composite signal: 12 MHz, Component signals: 30 MHz
Audio inputs	<p>Reference level: -10 dBV (47 kΩ)</p> <p>Maximum level: +6 dBV (1 kHz, 1% distortion)</p>
Audio outputs	-10 dBV (with reference input, 1 kHz)
Audio crosstalk	80 dB or more (1 kHz)
Audio S/N ratio	80 dB or more
Audio frequency response	5 Hz to 50 kHz
Distortion	Less than 0.03% (with reference input, 1 kHz)
Digital audio (OPTICAL)	<p>Peak emission wavelength : 660 nm ± 30 nm</p> <p>Peak output power : -15 dBm to -21 dBm (at the output end of the reference optical fiber cable)</p>
Power requirements	AC 120 V ~, 60 Hz
Power consumption	13 W (2.0 W in Standby mode)
Dimensions	(W) 435 mm x (H) 84 mm x (D) 256 mm (including knobs, jacks, and feet) (17-3/16" x 3-5/16" x 10-1/8")
Main body weight	2.8 kg (6.2 lbs)
Accessories	Remote control unit (RM-AJ555), "AA" (R6/UM-3) battery x 2 (for operation testing)

Glossary

Multi-dubbing _____

Capability of using more than one VCR for dubbing by selecting any of them as the player and recorder.

S-VIDEO signal _____

Signal obtained by separating the composite video signal into the luminance and chrominance signals. This makes the video clearer with fewer blurs in the colors.

Composite video signal _____

Signal composed of the luminance (Y) and chrominance (C) signals of the S-Video signals.

Component terminals _____

Means for transmission of high-quality video signals (Y/Pb/Pr and Y/Cb/Cr) from a DVD player, etc. to a high-performance video monitor without interference between the signal components.

OPTICAL (digital) connector _____

Means for transmission of high-quality digital audio signal from a digital player component such as a CD player or a DVD player to a digital recorder component such as an MD recorder.

Terms

- A**
 - AUDIO **7**

- C**
 - Component terminals **7, 21, 27**
 - Composite video signal **7, 27**

- D**
 - DUBBING LOCK **6, 8, 15, 20**

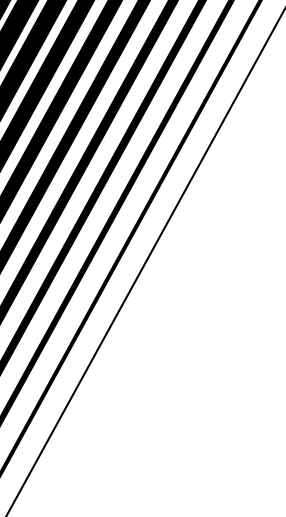
- L**
 - LOOP PROTECT **6, 8, 19**

- M**
 - MULTI-DUBBING **12**

- O**
 - OPTICAL CONNECTOR **16, 21**

- S**
 - STANDBY **6**
 - SOURCE SELECT **6, 8**
 - S-VIDEO signal **7, 27**

- Y**
 - Y/C separator **18**
 - Y/C mixer **18**



Free Manuals Download Website

<http://myh66.com>

<http://usermanuals.us>

<http://www.somanuals.com>

<http://www.4manuals.cc>

<http://www.manual-lib.com>

<http://www.404manual.com>

<http://www.luxmanual.com>

<http://aubethermostatmanual.com>

Golf course search by state

<http://golfingnear.com>

Email search by domain

<http://emailbydomain.com>

Auto manuals search

<http://auto.somanuals.com>

TV manuals search

<http://tv.somanuals.com>