

JVC



English

中文
(簡)

中文
(繁)

SPEAKER STAND

扬声器支架

揚聲器支架

LS-M1



INSTRUCTIONS

使用说明书

使用說明書

LVT1248-002A
[US]

Thank you for purchasing a JVC product.
Before you begin using it, please read the instructions carefully.

Warnings, Cautions and Others

Warning

Observe the following carefully before installation; otherwise, the speaker may fall over, causing damage or injury.

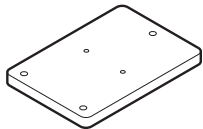
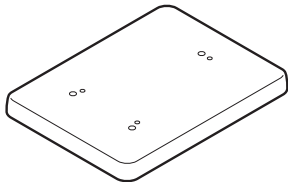


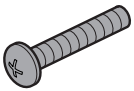
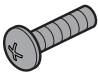
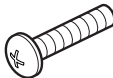
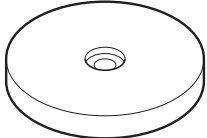
- Do not install the speaker stand on an uneven surface or in a place subject to vibration.
- Do not lean against the speaker stand. Especially pay attention to children not to do so.
- Fasten all the screws firmly when assembling the speaker stand, and check its tightness afterwards regularly.
- Do not install any overweight equipment (over 10 kg) on the speaker stand.

Precautions

- **For safety use**
 - Do not climb or hang on to the speaker stand.
 - Attach the speaker firmly to the speaker stand.
- **For installation**
 - While installing the speaker on the stand, do not drop it from the stand. Pay attention not to damage the speaker cabinet.
 - To obtain the best bass sound quality, install the speaker stand on the flat floor.
- **For daily use**
 - Wipe with a dry, soft cloth if the speaker stand should become dirty. If very dirty, wipe with a cloth applied a small amount of water or neutral detergent, then wipe with a dry cloth.
 - Do not use chemicals such as benzine and thinner for cleaning the speaker stand; otherwise, the speaker stand may deteriorate or its paint may come off.

Checking the supplied parts

Check to be sure you have the following supplied parts.
The quantity of piece supplied is for one pair of speaker stands.

<p>Top plate ----- 2</p> 	<p>Bottom plate ----- 2</p> 	<p>Leg (A) ----- 2</p>  <p>(thick)</p>	<p>Leg (B) ----- 4</p>  <p>(thin)</p>
<p>Screws (A) ----- 6</p>  <p>(Black: M6 x 30 mm)</p>	<p>Screws (B) ----- 6</p>  <p>(Black: M6 x 16 mm)</p>	<p>Screws (C) ----- 4</p>  <p>(Silver: M5 x 28 mm)</p>	<p>Leg holder ----- 6</p> 

If any item is missing, contact your dealer immediately.

Assembly

Before assembling—

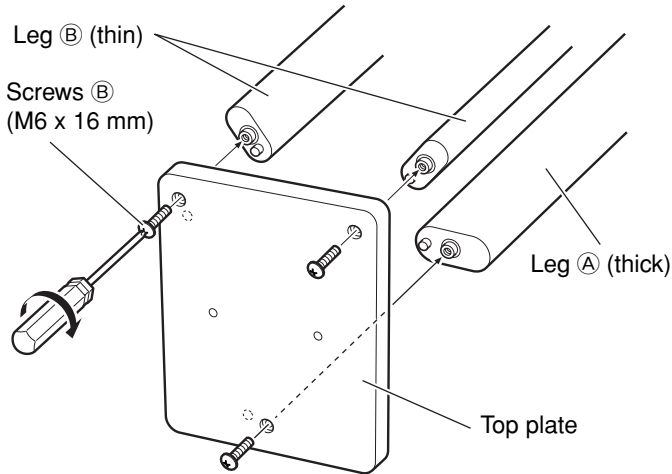
- Prepare a Phillips screwdriver.
- Place a large, thick cloth on the floor where you assemble the speaker stand to protect the floor and the speaker stand.

■ Assembling the speaker stand

- **Tighten the screws firmly so that no space is left between the legs and plates.**

1 Fix the top plate.

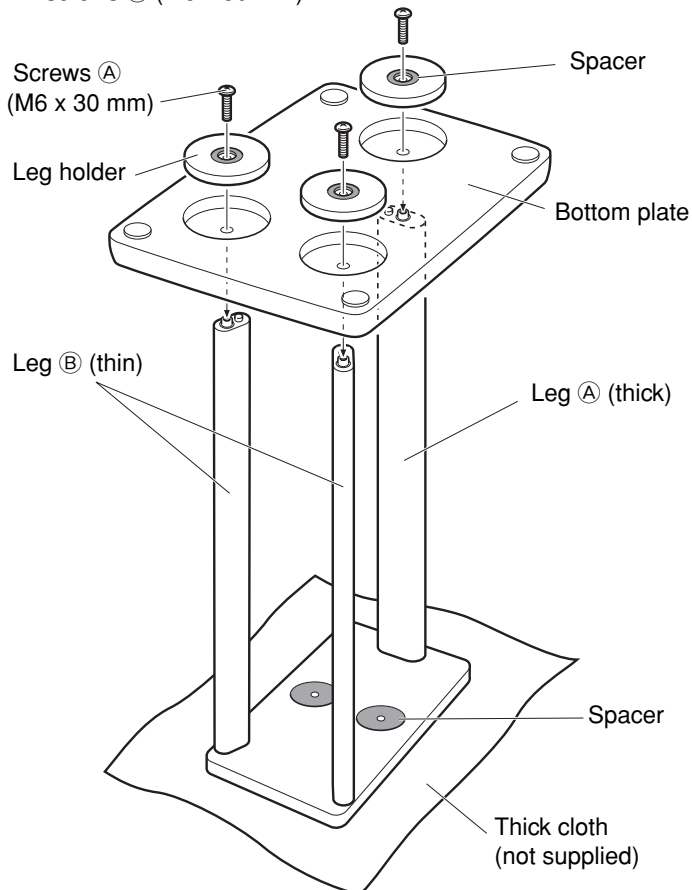
- Align the projection of the legs to the holes of the top plate correctly, then attach them with three of the supplied screws **Ⓑ** (M6 x 16 mm).



* The side without spacer should face outside.

2 Fix the bottom plate and leg holders.

- Align the projection of the legs to the holes of the bottom plate correctly, then attach them with three of the supplied screws **Ⓐ** (M6 x 30 mm).



3 Finally tighten screws **Ⓐ** and **Ⓑ** fully.

- Tighten them firmly and fully so that no space is left between the legs and plates.

Installing Speaker

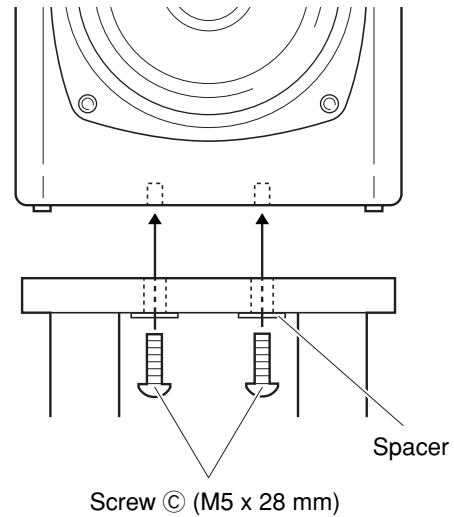
■ Attach the speaker on the stand

1 Locate the speaker properly by aligning both screw holes of the speaker and the speaker stand.

- Do not install the speaker stand on an uneven surface or in a place subject to vibration.
- Do not install any overweight equipment (over 10 kg) on the speaker stand.

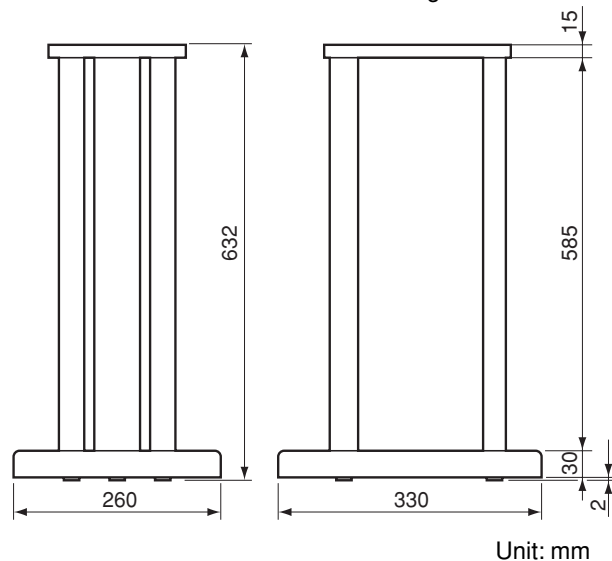
2 Fix the speaker with the supplied screws **Ⓒ** (M5 x 28 mm).

- Do not overtighten the screws, but firmly enough to prevent the speakers from being shaky.



Specifications

Mass:	5.3 kg each
Maximum load:	10 kg
Dimensions:	See the diagram.



Design and specifications subject to change without notice.

JVC

Free Manuals Download Website

<http://myh66.com>

<http://usermanuals.us>

<http://www.somanuals.com>

<http://www.4manuals.cc>

<http://www.manual-lib.com>

<http://www.404manual.com>

<http://www.luxmanual.com>

<http://aubethermostatmanual.com>

Golf course search by state

<http://golfingnear.com>

Email search by domain

<http://emailbydomain.com>

Auto manuals search

<http://auto.somanuals.com>

TV manuals search

<http://tv.somanuals.com>