

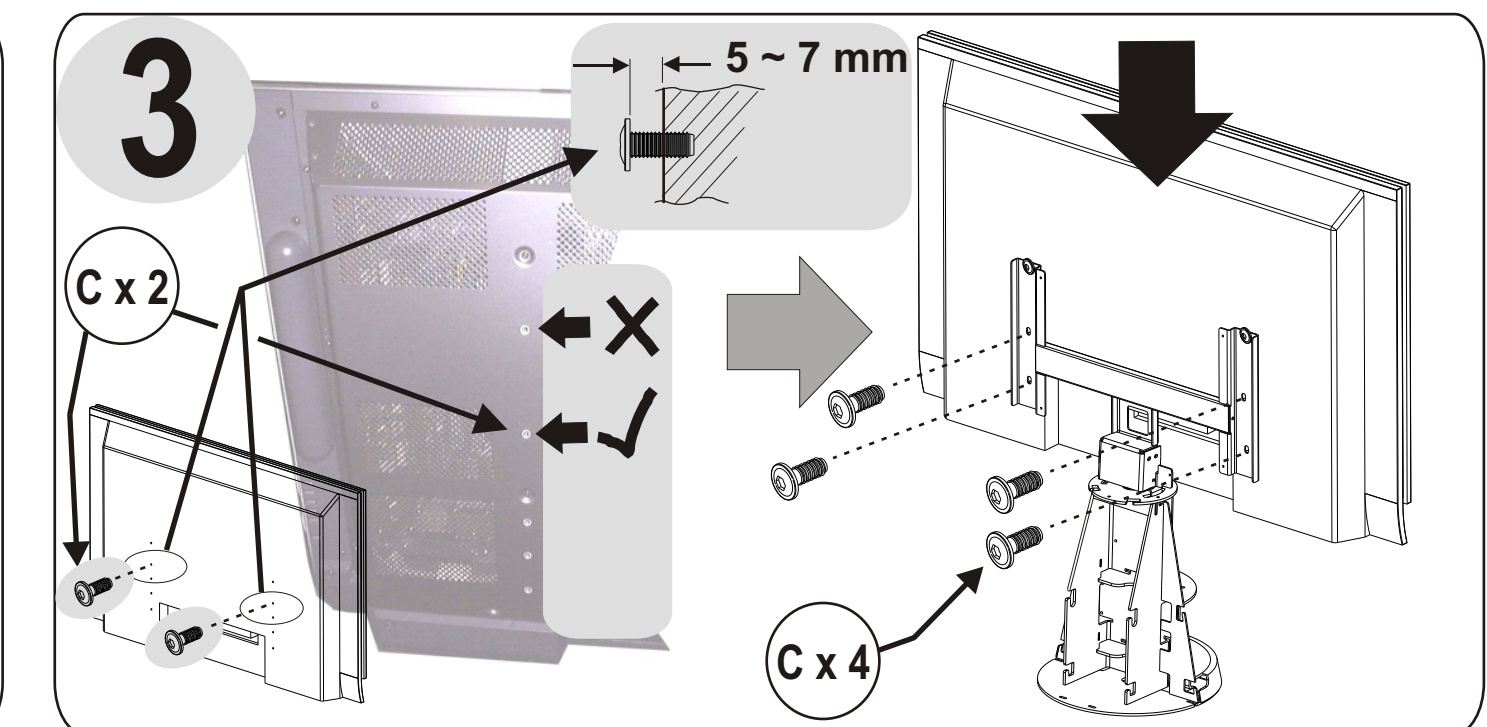
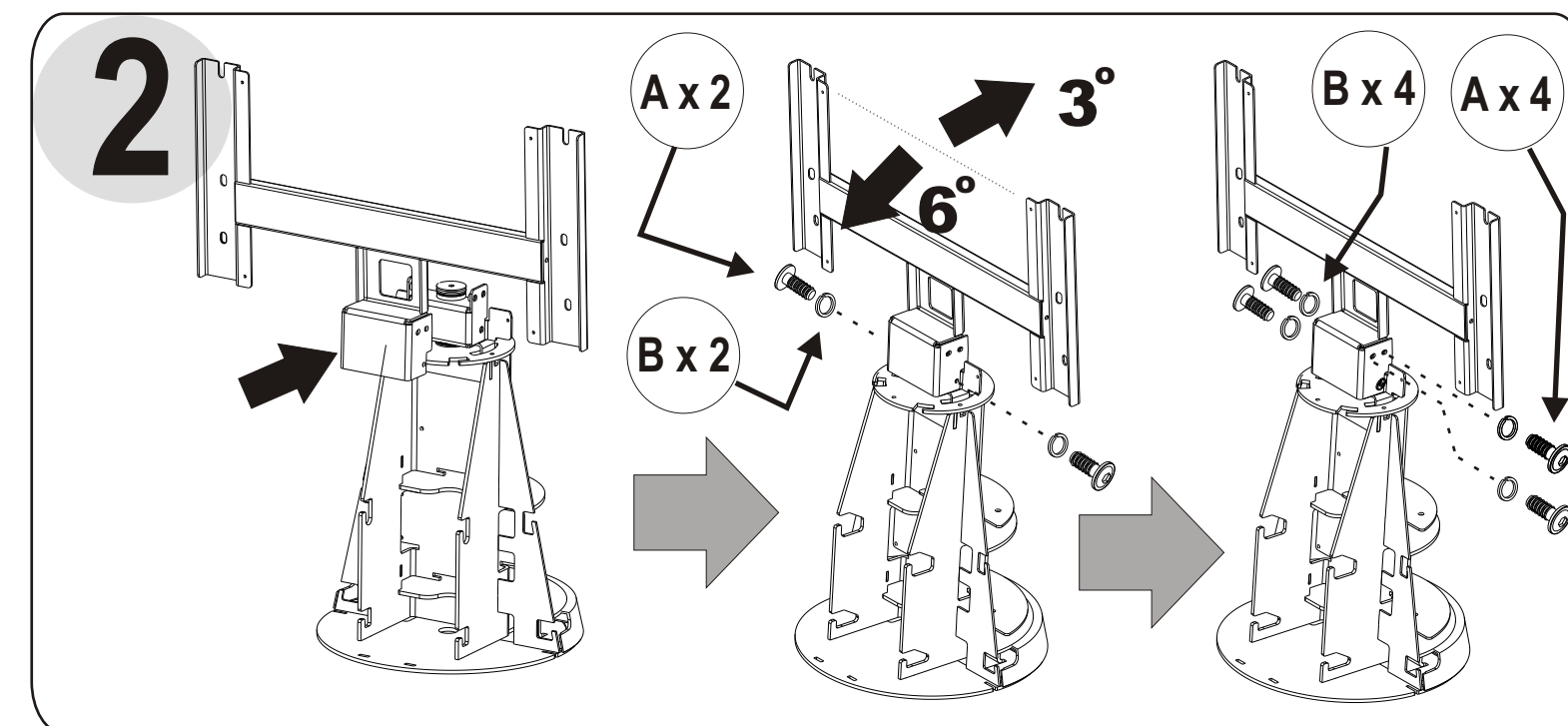
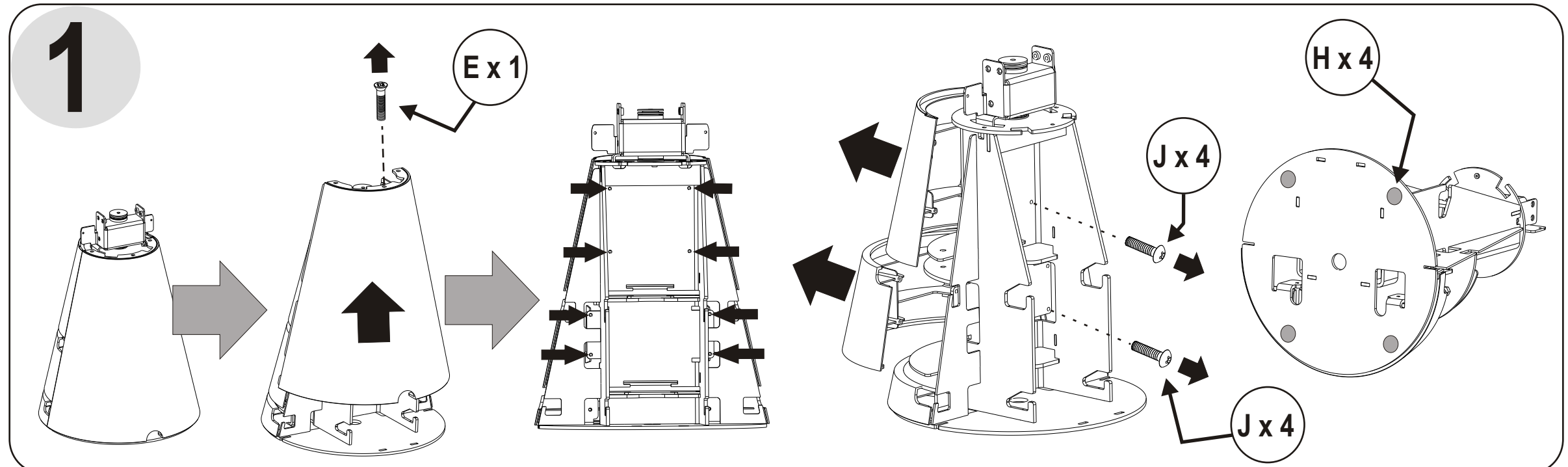
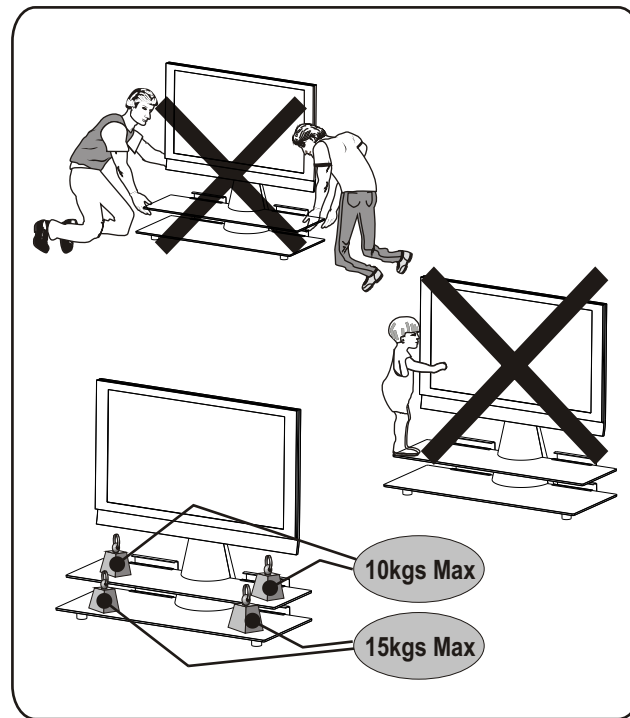
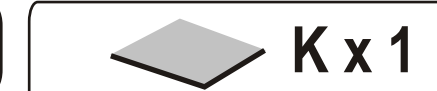
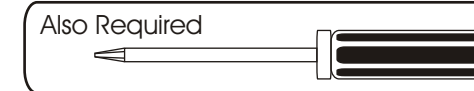
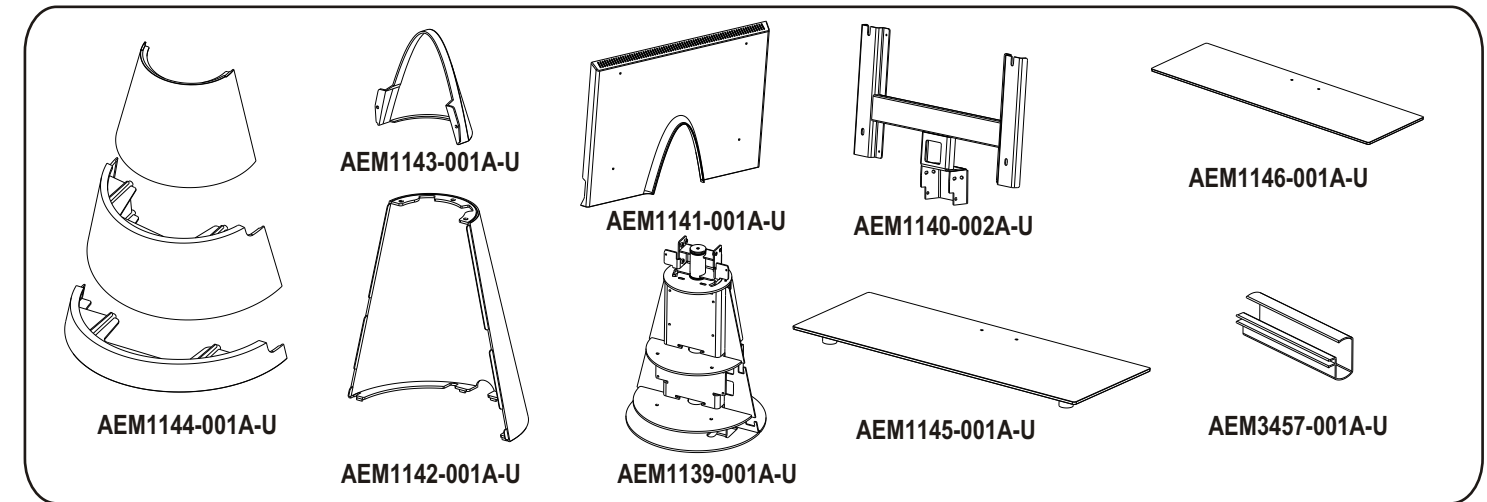
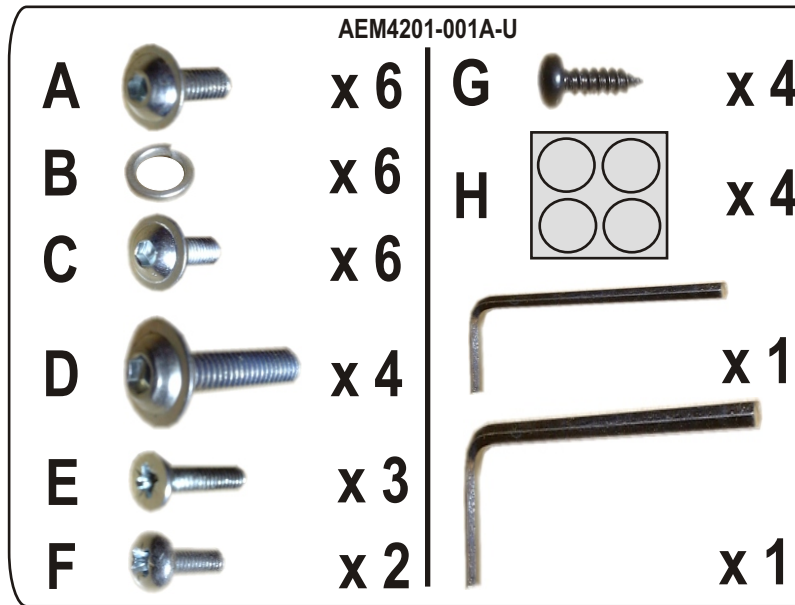
JVC

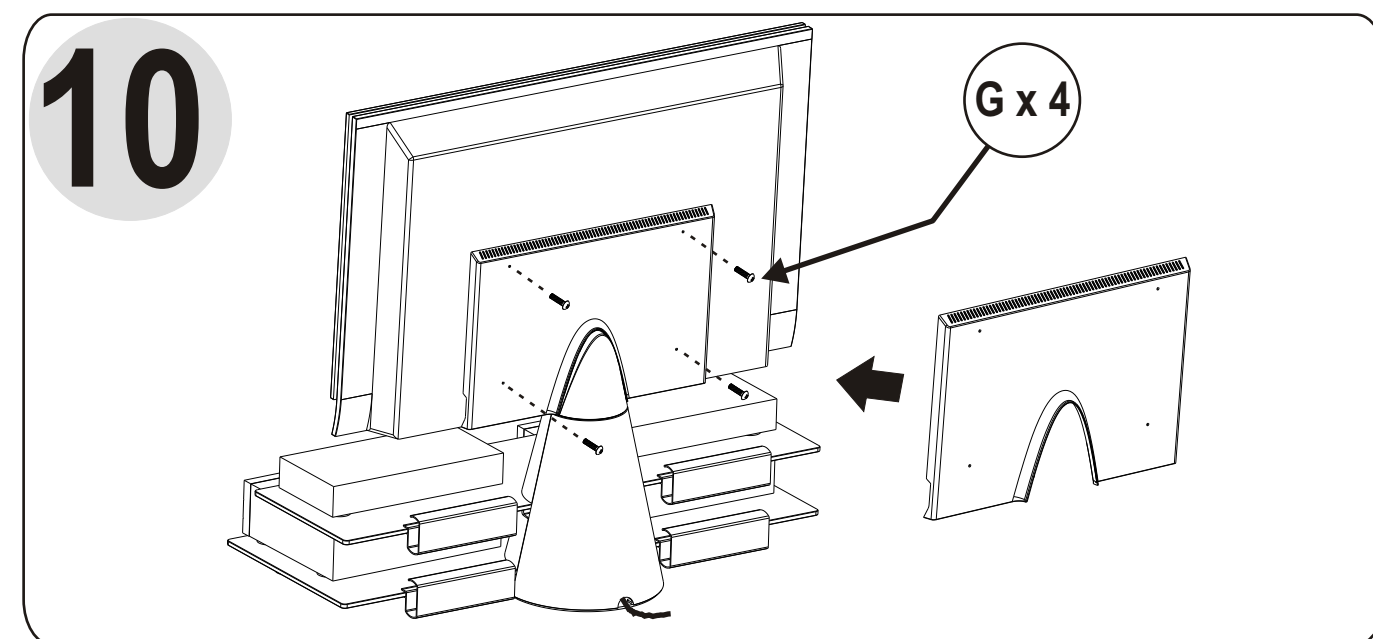
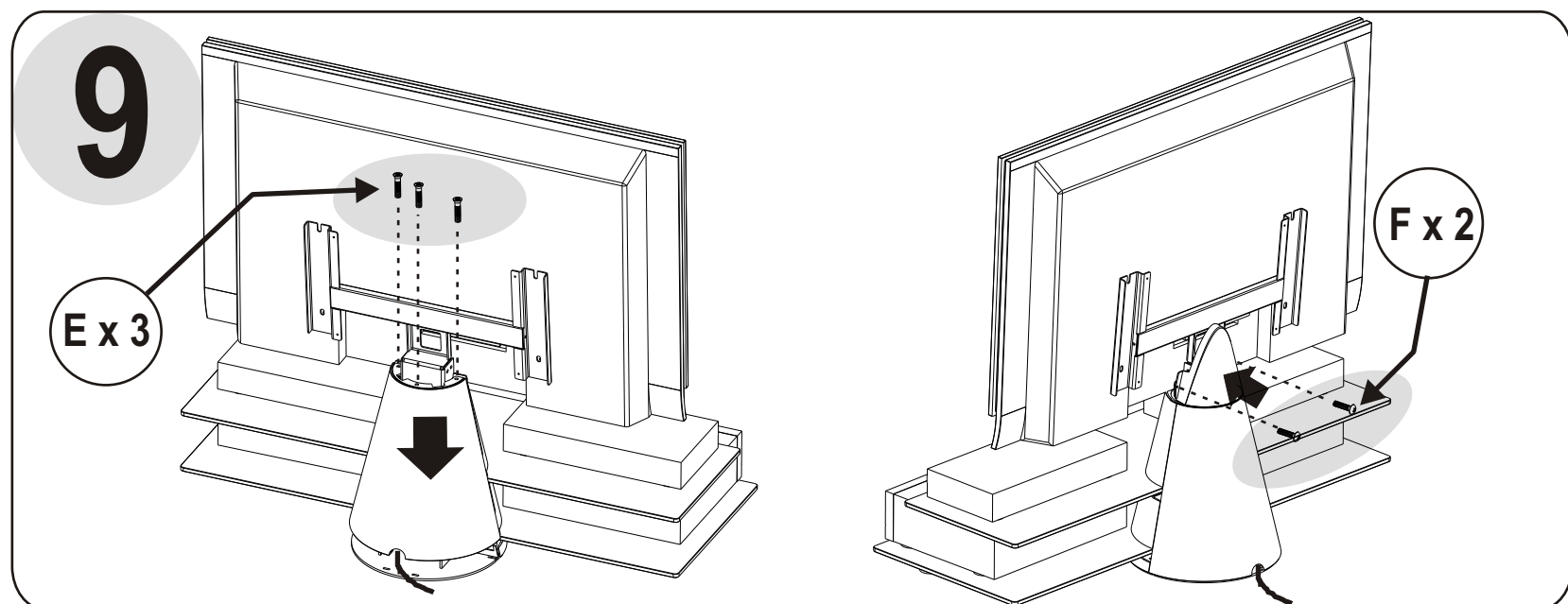
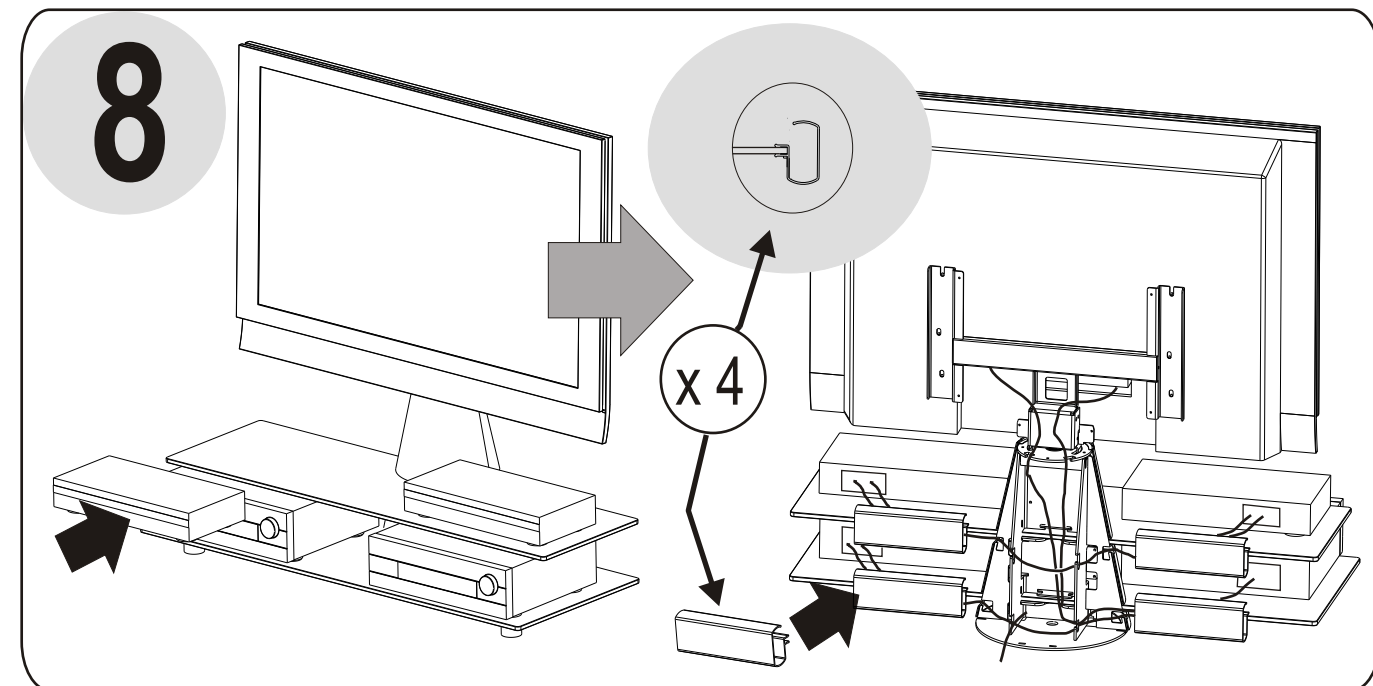
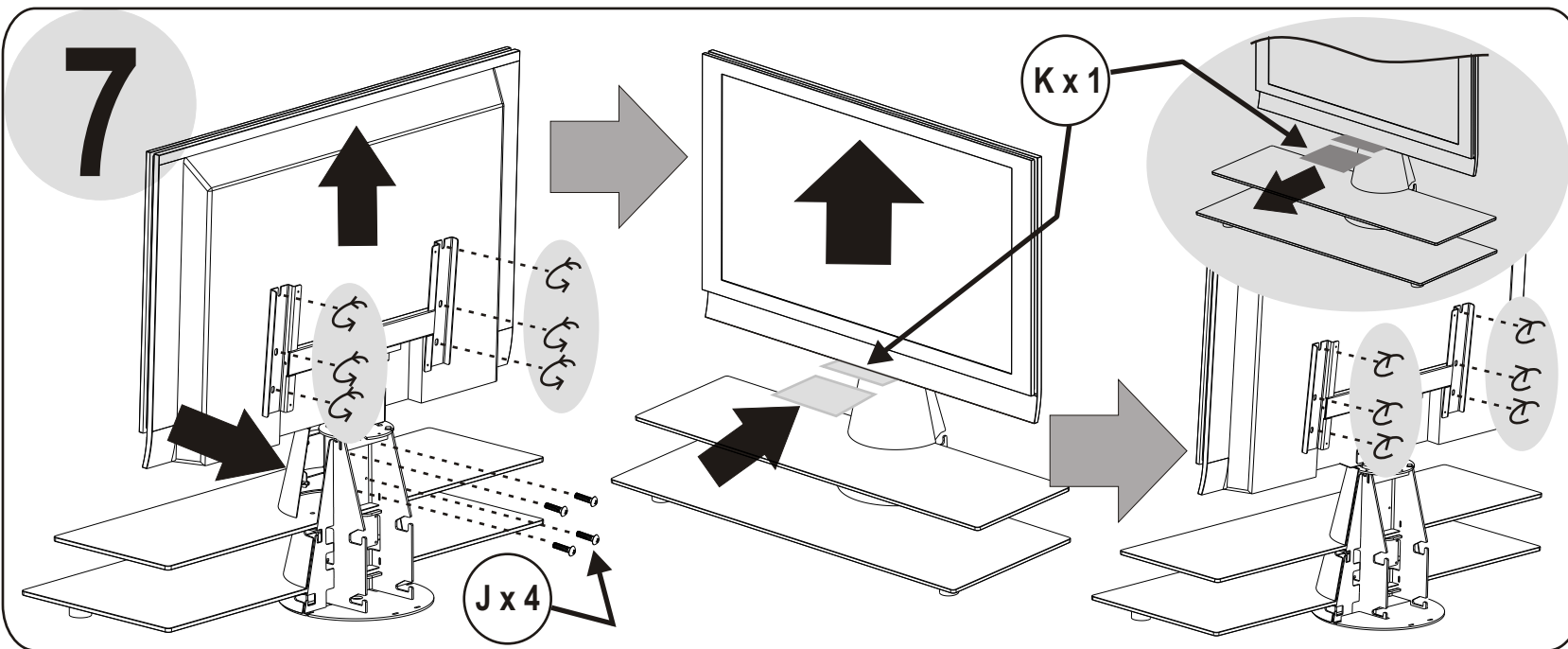
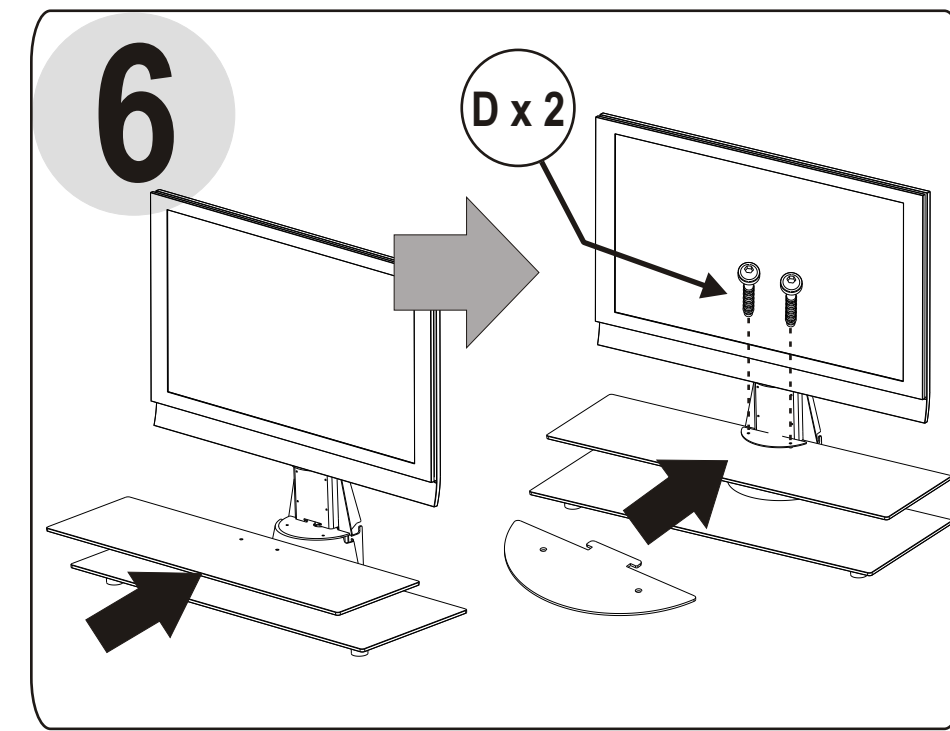
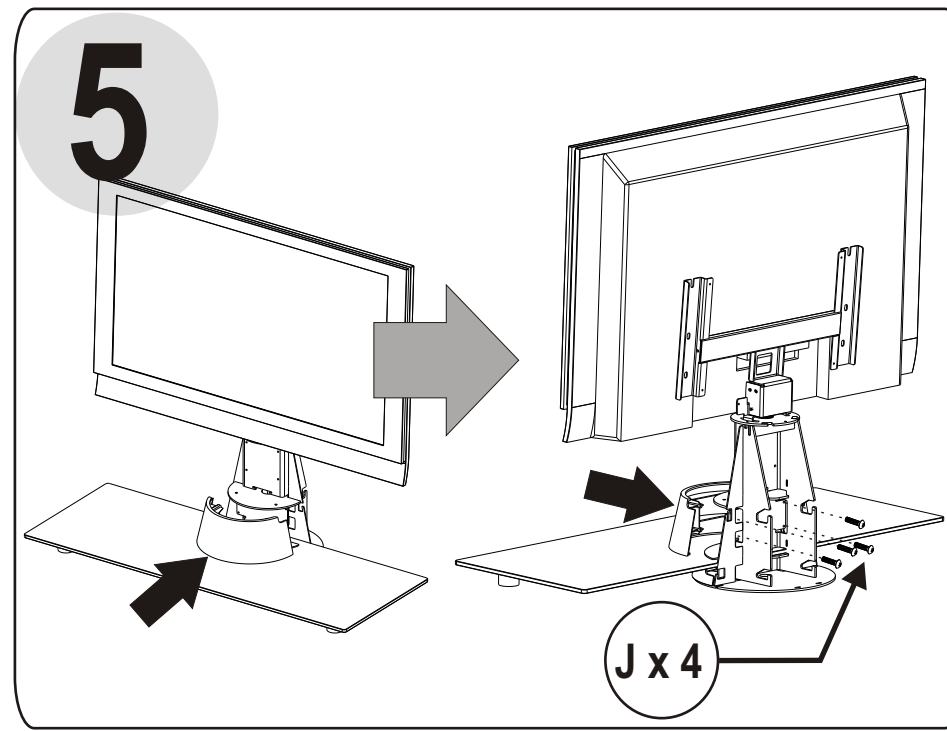
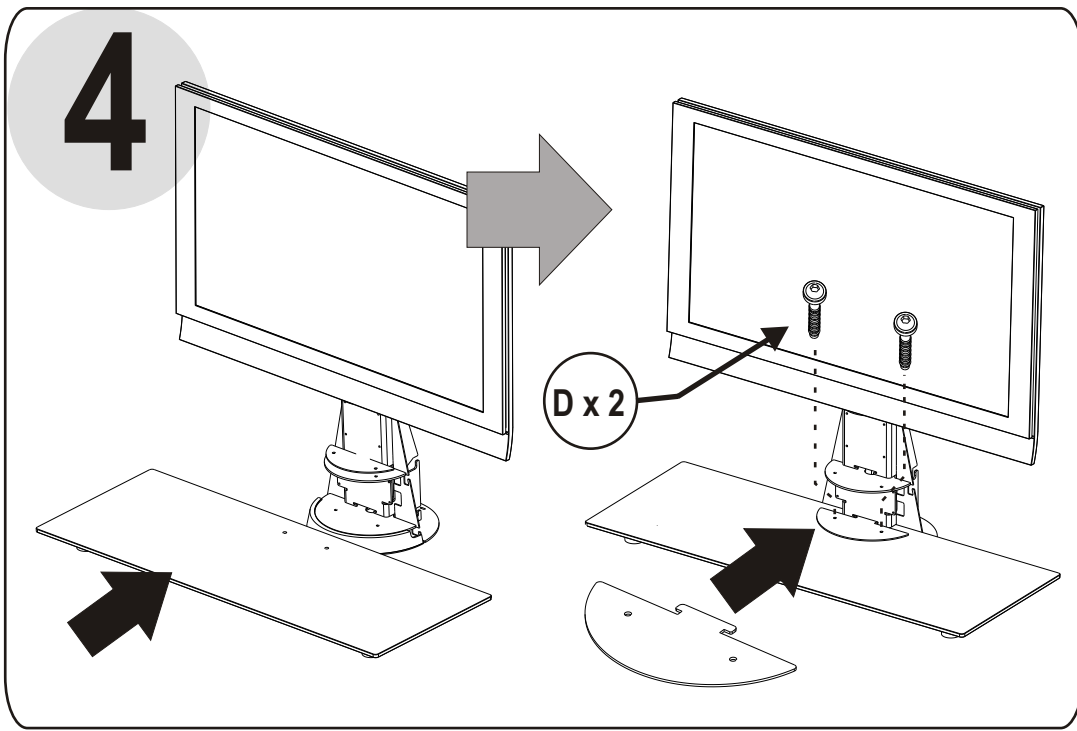
RK-C20BL/RK-C20BLG PLASMA DISPLAY STAND

ASSEMBLY INSTRUCTIONS
(TO BE RETAINED BY CUSTOMER)

IMPORTANT NOTES

- THIS STAND MUST BE USED ONLY WITH THE FOLLOWING JVC TV's PD-42V31, PD-35B50, PD-42B50, PD-42Z50 & PD-50Z50
- DO NOT USE ANY SCREWS OTHER THAN THOSE PROVIDED
- DO NOT USE SOLVENTS FOR CLEANING THIS STAND. USE A DAMP CLOTH TO REMOVE ANY HANDLING OR PACKAGING MARKS
- DO NOT ATTEMPT TO MOVE THE ASSEMBLY WITH TV ATTACHED AS THIS MAY RESULT IN PERSONAL INJURY AND OR DAMAGE TO YOUR EQUIPMENT.





Free Manuals Download Website

<http://myh66.com>

<http://usermanuals.us>

<http://www.somanuals.com>

<http://www.4manuals.cc>

<http://www.manual-lib.com>

<http://www.404manual.com>

<http://www.luxmanual.com>

<http://aubethermostatmanual.com>

Golf course search by state

<http://golfingnear.com>

Email search by domain

<http://emailbydomain.com>

Auto manuals search

<http://auto.somanuals.com>

TV manuals search

<http://tv.somanuals.com>