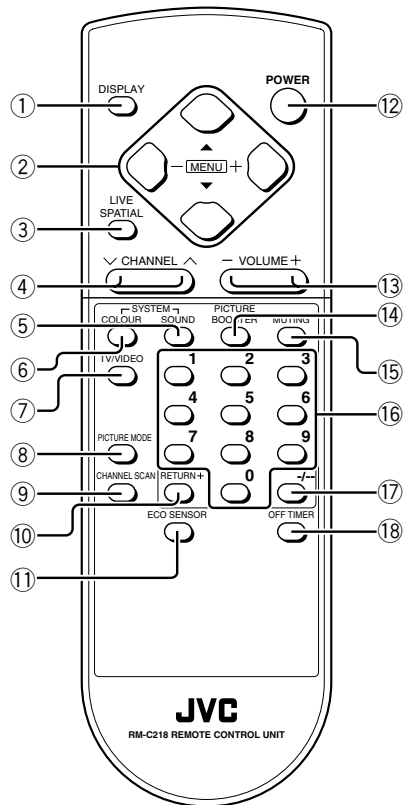


Locations

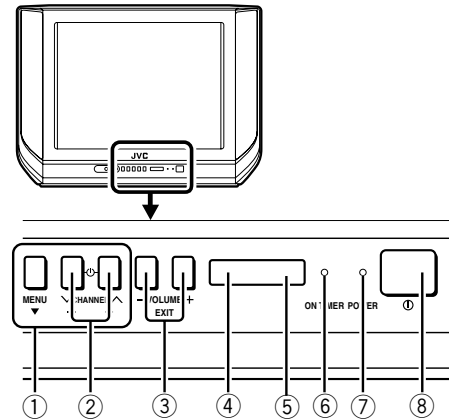
Locations of remote control buttons



①	DISPLAY button	p.18
②	MENU buttons	
	• MENU ▲/▼ buttons	
	• MENU -/+ buttons	
③	LIVE SPATIAL button	p.16
④	CHANNEL ∇/∧ buttons	p.12
⑤	SOUND SYSTEM button	p.15
⑥	COLOUR SYSTEM button	p.15
⑦	TV/VIDEO button	p.14
⑧	PICTURE MODE button	p.15
⑨	CHANNEL SCAN button	p.19
⑩	RETURN + button	p.20
⑪	ECO SENSOR button	p.19
⑫	POWER button	p.6,12,13
⑬	VOLUME -/+ buttons	p.13
⑭	PICTURE BOOSTER button	p.17
⑮	MUTING button	p.16
⑯	Number buttons	p.12
⑰	-/- button	p.12
⑱	OFF TIMER button	p.18

Locations

Locations of front panel buttons and lamps



①	MENU buttons	p.24
	• MENU button	
	• MENU -/+ buttons	
②	CHANNEL ∇/∧ buttons	p.13
③	VOLUME -/+ buttons	p.13
④	ECO sensor	
⑤	Remote control sensor	
⑥	ON TIMER lamp	p.21
⑦	POWER lamp	p.6,13
⑧	Main power button	p.6,13

Free Manuals Download Website

<http://myh66.com>

<http://usermanuals.us>

<http://www.somanuals.com>

<http://www.4manuals.cc>

<http://www.manual-lib.com>

<http://www.404manual.com>

<http://www.luxmanual.com>

<http://aubethermostatmanual.com>

Golf course search by state

<http://golfingnear.com>

Email search by domain

<http://emailbydomain.com>

Auto manuals search

<http://auto.somanuals.com>

TV manuals search

<http://tv.somanuals.com>