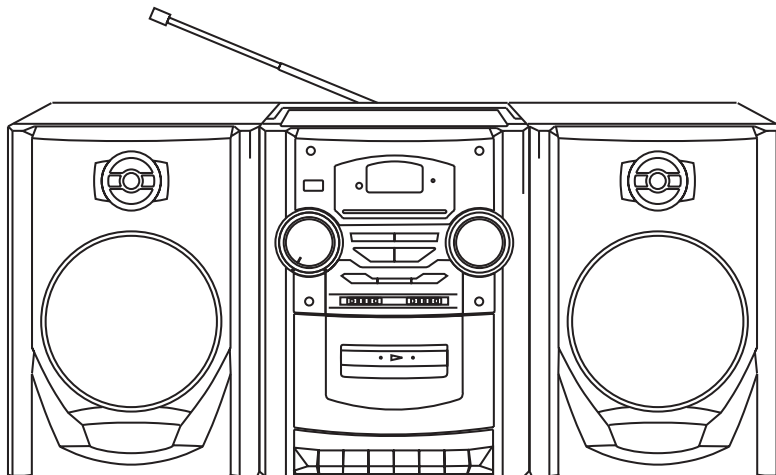


# jWIN

## JX-CD 4300D

### MICRO COMPONENT SYSTEM

INSTRUCTION MANUAL



Web site: <http://www.jwin.com>



**CAUTION**  
RISK OF ELECTRIC SHOCK  
DO NOT OPEN



**CAUTION:** TO PREVENT THE RISK OF ELECTRIC SHOCK, DO NOT REMOVE COVER (OR BACK). NO USER-SERVICEABLE PARTS INSIDE. REFER SERVICING TO QUALIFIED SERVICE PERSONNEL.



This symbol indicates that dangerous voltage constituting a risk of electric shock is present within this unit.



This symbol indicates that there are important operating and maintenance instructions in the literature accompanying this unit.

**WARNING: TO PREVENT FIRE OR SHOCK HAZARD, DO NOT EXPOSE THIS APPLIANCE TO RAIN OR MOISTURE.**

**CAUTION - USE OF CONTROLS OR ADJUSTMENTS OR PERFORMANCE OF PROCEDURES OTHER THAN THOSE SPECIFIED IN THE OPERATING INSTRUCTIONS MAY RESULT IN HAZARDOUS RADIATION EXPOSURE.**

1. CLASS 1 LASER PRODUCT
2. **DANGER:** Invisible laser radiation when open and interlock failed or defeated. Avoid direct exposure to beam.
3. **CAUTION:** Do not open the top cover. There are no user serviceable parts inside the Unit; leave all servicing to qualified service personnel.

#### FCC INFORMATION

This device complies with Part 15 of the FCC Rules.

Operation is subject to the following two conditions.

(1) This device may not cause harmful interference, and (2) this device must accept any interference received, including interference that may cause undesired operation.

#### **CAUTION:**

##### WHEN INSTALLING THE BATTERIES

To prevent leakage from the batteries, which is corrosive and can cause personal injury and damage to the unit, observe the following precautions:

1. The batteries must be installed correctly. Match the polarities (+ and - signs) on the batteries to the polarities shown on the back of the unit.
2. Do not mix new batteries with old used batteries.
3. Only use batteries of the same type and brand.

4. If the unit will not be used for an extended period of time, remove the batteries and store them in a cool place.
5. Carefully follow the battery manufacturer's instructions for proper use and disposal.
6. **DO NOT ALLOW YOUNG CHILDREN TO HANDLE BATTERIES.**

#### **NOTE:**

**When the batteries have become discharged, they must be disposed of in a safe manner that complies with all applicable laws.**

# IMPORTANT SAFETY INSTRUCTIONS

1. **Read Instructions** - All the safety and operating instructions should be read before the product is operated
2. **Retain Instructions** - The safety and operating instructions should be retained for future reference.
3. **Heed Warnings** - All warnings on the product and in the operating instructions should be adhered to.
4. **Follow Instructions** - All operating and use instructions should be followed.
5. **Cleaning** - Unplug this product from the wall outlet before cleaning. Do not use liquid cleaners or aerosol cleaners. Use a damp cloth for cleaning.
6. **Attachments** - Do not use attachments not recommended by the product manufacturer as they may cause hazards.
7. **Water and Moisture** - Do not use this product near water - for example, near a bath tub, wash bowl, kitchen sink, or laundry tub; in a wet basement; or near a swimming pool; and the like.
8. **Accessories** - Do not place this product on an unstable cart, stand, tripod, bracket, or table. The product may fall, causing serious injury to a child or adult, and serious damage to the product. Use only with a cart, stand, tripod, bracket or table recommended by the manufacturer, or sold with the product. Any mounting of the product should follow the manufacturer's instructions, and should use a mounting accessory recommended by the manufacturer.  
A product and cart combination should be moved with care.  
Quick stops, excessive force, and uneven surfaces may cause the product and cart combination to overturn(Figure 131.2)
9. **Ventilation** - Slots and openings in the cabinet are provided for ventilation and to ensure reliable operation of the product and to protect it from overheating, and these openings must not be blocked or covered. The openings should never be blocked by placing the product on a bed, sofa, rug, or other similar surface.  
This product should not be placed in a built-in installation such as a bookcase or rack unless proper ventilation is provided or the manufacturer's instructions have been adhered to.
10. **Power Sources** - This product should be operated only from the type of power source indicated on the marking label. If you are not sure of the type of power supply to your home, consult your product dealer or local power company. For products intended to operate from battery power, or other sources, refer to the operating instructions.
11. **Grounding or Polarization** - This product may be equipped with a polarized alternating-current lone plug (a plug having one blade wider than the other). This plug will fit into the power outlet only one way. This is a safety feature. If you are unable to insert the plug fully into the outlet, try reversing the plug. If the plug should still fail to fit, contact your electrician to replace your obsolete outlet. Do not defeat the safety purpose of the polarized plug.
12. **Power-Cord Protection** - Power-supply cords should be routed so that they are not likely to be walked on or pinched by items placed upon or against them, paying particular attention to cords at plugs, convenience receptacles, and the point where they exit from the product.



Figure 131.2

13. **Outdoor Antenna Grounding** - If an outside antenna or cable system is connected to the product, be sure the antenna or cable system is grounded so as to provide some protection against voltage surges and built-up static charges. Article 810 of the National Electrical Code, ANSI/NFPA 70, provides information with regard to proper grounding of the mast and supporting structure, grounding of the lead-in wire to an antenna discharge unit, size of grounding conductors, location of antenna-discharge unit, connection to grounding electrodes, and requirements for the grounding electrode. (Figure 131.1)

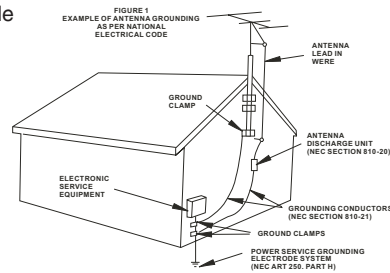


Figure 131.1

14. **Lightning** - For added protection for this product during a lightning storm, or when it is left unattended and unused for long periods of time, unplug it from the wall outlet and disconnect the antenna or cable system. This will prevent damage to the product due to lightning and power-line surges.
15. **Power Lines** - An outside antenna system should not be located in the vicinity of overhead power lines or other electric light or power circuits, or where it can fall into such power lines or circuits. When installing an outside antenna system, extreme care should be taken to keep from touching such power lines or circuits as contact with them might be fatal.
16. **Overloading** - Do not overload wall outlets, extension cords or integral convenience receptacles as this can result in a risk of fire or electric shock.
17. **Object and Liquid Entry** - Never push objects of any kind into this product through openings as they may touch dangerous voltage points or short-out parts that could result in a fire or electric shock, Never spill liquid of any kind on the product.
18. **Servicing** - Do not attempt to service this product yourself as opening or removing covers may expose you to dangerous voltage or other hazards. Refer all servicing to qualified service personnel.
19. **Damage Requiring Service** - Unplug this product from the wall outlet and refer servicing to qualified service personnel under the following conditions:
- when the power-supply cord or plug is damaged,
  - If liquid has been spilled, or objects to have fallen into the product,
  - If the product has been exposed to rain or water,
  - If the product does not operate normally by following the operating instructions. Adjust only those controls that are covered by the operating instructions as an improper adjustment of other controls may result in damage and will often require extensive work by a qualified technician to restore the product its normal operation.
  - If the product has been dropped or damaged in any way, and
  - when the product exhibits a distinct change in performance-this indicates a need for service.
20. **Replacement Parts** - When replacement parts are required, be sure the service technician has used replacement parts specified by the manufacturer or have the same characteristic as the original part. Unauthorized substitutions may result in fire, electric shock, or other hazards.
21. **Safety Check** - Upon completion of any service or repairs to this product, ask the service technician to perform safety checks to determine that the product is in proper operating condition.
22. **Heat** - The product should be situated away from heat sources such as radiators, heat registers, stoves, or other products (including amplifiers) that produce heat.

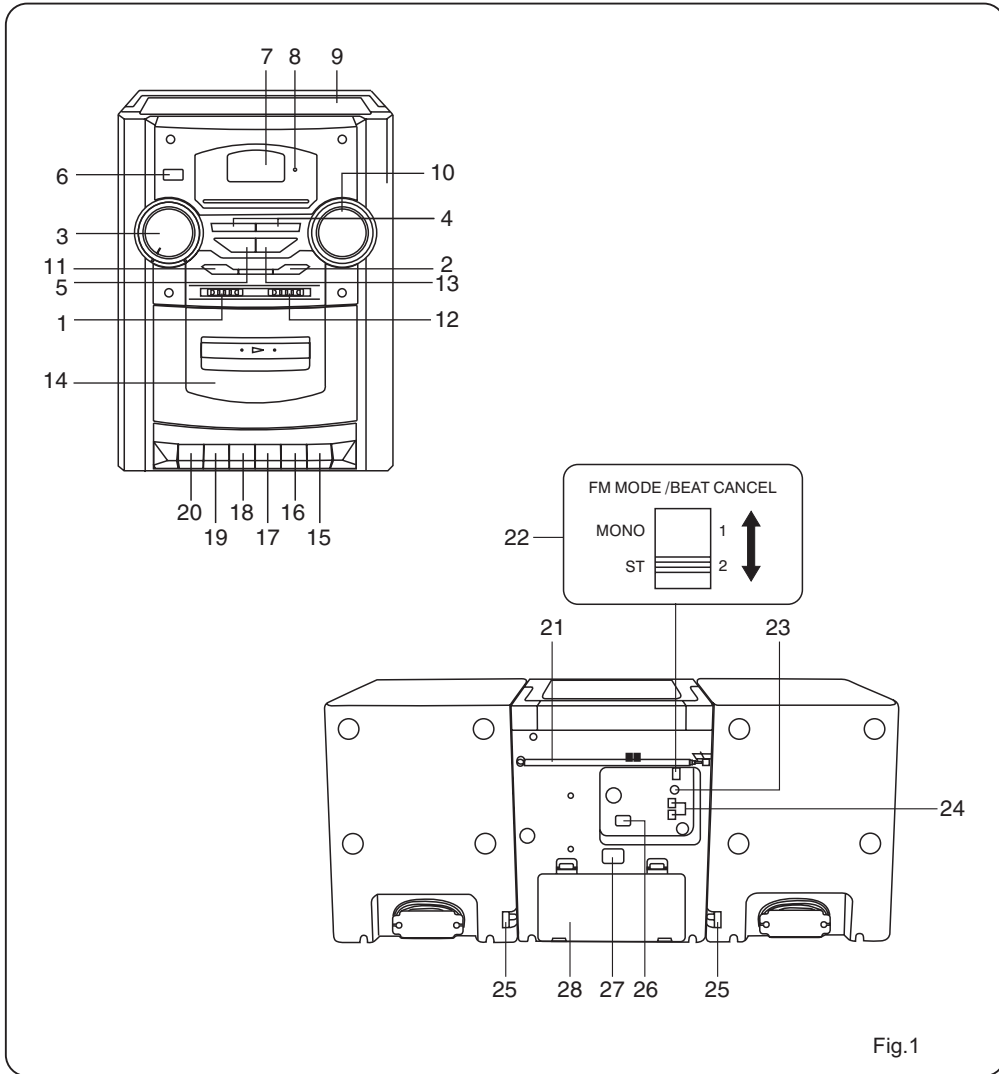
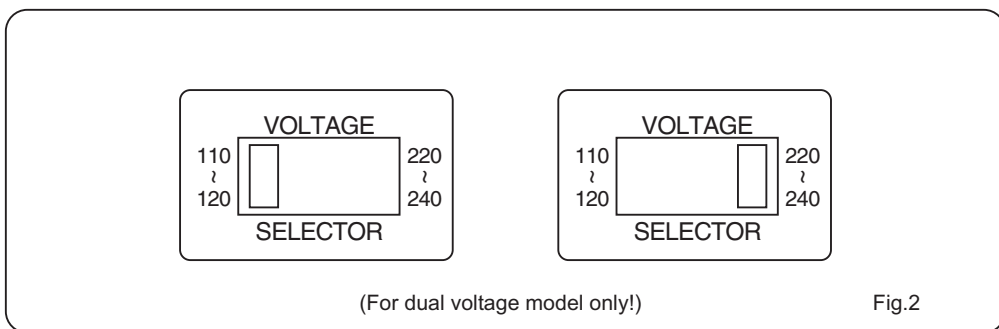


Fig.1



(For dual voltage model only!)

Fig.2

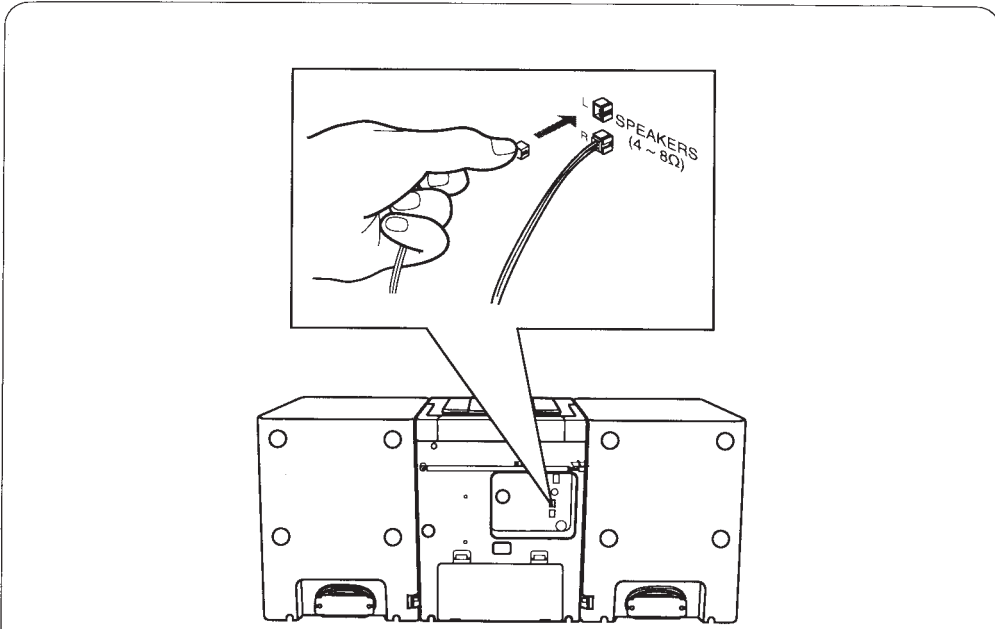


Fig. 3a

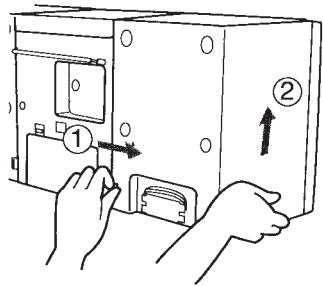


Fig. 3b

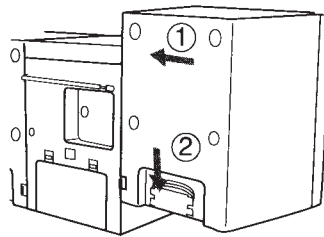


Fig. 3c

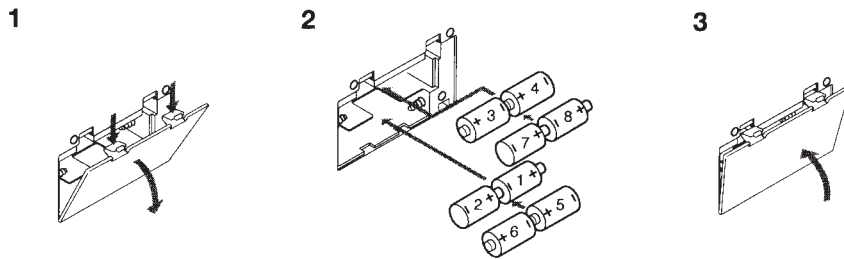


Fig.4

**COMPACT**  
**disc**  
**DIGITAL AUDIO**

Fig.5

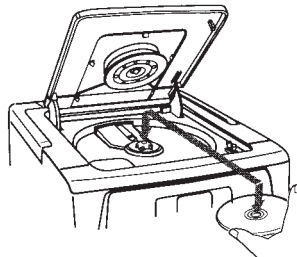


Fig.6

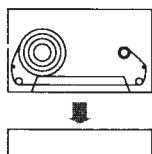


Fig.7

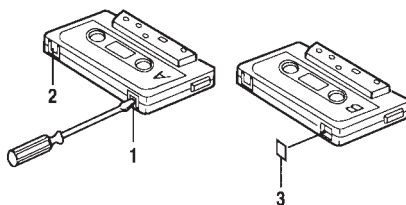


Fig.8

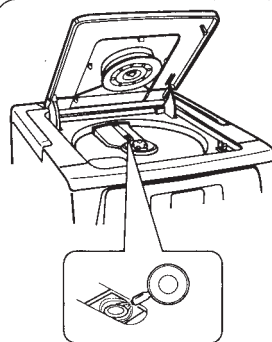


Fig.9

## PRECAUTIONS

- The apparatus shall not be exposed to dripping or splashing.
- Do not use where there are extremes of temperature (below 5 °C or exceeding 35 °C).
- Because of the CD player's extremely low noise and wide dynamic range, there might be a tendency to set the volume on the amplifier unnecessarily high. Doing so may produce an excessively large output from the amplifier which could damage your speakers.
- Sudden changes in the ambient temperature may cause condensation to form on the optical lens inside the unit. If this happens, take out the disc, leave the unit for about 1 hour, and then proceed to operate.
- Do not install this equipment in a confined space, such as a book case or built in cabinet.
- The rating label is located on the back of the unit.

## CONTROLS (Fig. 1)

1. Function switch (FUNCTION)
2. Repeat button (REPEAT)
3. Volume control (VOLUME)
4. Skip/Search buttons ( ◀◀/◀◀, ▶▶/▶▶)
5. Stop button ( ■ )
6. Bass expander button (DBBS)
7. CD track number display (TRACK NO.)
8. Indicator (STEREO)
9. CD compartment
10. Tuning control (TUNING)
11. Memory button (MEMORY)
12. Radio band switch (BAND)
13. Play/ Pause button (▶/■)
14. Cassette holder
15. Pause button (PAUSE)
16. Stop/ Eject button (STOP/EJECT)
17. Fast forward button (FFWD)
18. Rewind button (REW)
19. Play button (PLAY)
20. Record button (REC)
21. Telescopic aerial
22. FM mode/ Beat cancel switch (FM MODE/BEAT CANCEL)
23. Headphones socket (PHONES)

24. Speaker terminals (SPEAKERS)
25. Speaker release levers
26. Voltage selector (Option)
27. AC input socket (AC INPUT)
28. Battery compartment lid

## SPEAKERS

**Speakers connections (Fig. 3a)**

**To detach the speaker enclosures (Fig. 3b)**

**To attach the speaker enclosures (Fig. 3c)**

## POWER SUPPLY

### AC POWER

Before use, be sure the corresponds with you local voltage. Connect one end of the mains lead to the AC INPUT socket and the other end to an AC outlet.

#### Note:

- The installed batteries are automatically disconnected when the mains lead is connected to the unit.
- The FUNCTION switch is mounted on the secondary side. The unit is not disconnected from mains, even switched off.

## BATTERY POWER

### Installing batteries

Install eight "R20/D" batteries (not supplied) as shown in Fig. 4.

### Cautions on batteries

To prevent battery electrolyte leakage, which may result in injury and damage to the unit or other objects, observe the following precautions:

1. All batteries must be installed with the proper polarity (see diagram on the rear of the unit).
2. Do not mix new with old or used batteries.
3. Only use batteries of the same type and brand.
4. Remove the batteries when they are not to be used for a long period time.
5. When the batteries have become discharged, they must be disposed of in a safe manner which complies with all applicable laws.



## GENERAL OPERATION

### Adjusting the volume

Turn the VOLUME control.

### Bass expander button

Press the DBBS button to ON to enhance the bass sound.

### Headphones

Connect stereo headphones (not supplied) to the PHONES socket for monitoring or for private listening. The speakers are automatically disconnected when headphones are connected.

## CD PLAY

Use compact discs bearing the symbol shown in Fig. 5. In addition to conventional 12 cm CDs, this system can be used to play 8 cm CDs without an adapter.

1. Set the FUNCTION switch to CD.
2. Press the CD compartment lid (CD OPEN/CLOSE portion) to open it.
3. Place the disc with the label facing up on the turntable (Fig. 6). (Place only one disc at a time.)
4. Press the CD compartment lid (CD OPEN/CLOSE portion) to close it.  
The total number of tracks on the disc appears on the TRACK NO. display.
5. Press the ►/|| button.
  - To start play from the desired track, select the track by using the ◀◀/◀◀ or ▶▶/▶▶ buttons, then press the ►/|| button.

#### Note:

If a disc is loaded upside down, or if no disc is loaded, 00 appears and the CD player will not operate.

6. Press the ■ button to end disc play.  
When the last track has been played, the player stops automatically.
7. To turn the CD Player off, set the function switch to TAPE/OFF.

#### Note:

- Do not open the CD compartment during CD play. Always press the ■ button and wait for the disc to stop rotating before opening the CD compartment.
- This unit can play back the CD-R/RW as well. however, some CD-R/RWS can not be played back depending on the recording conditions.

### Notes on handling compact discs

- Do not expose the disc to direct sunlight, high humidity or high temperatures for extended periods of time.
- Discs should be returned to their cases after use.
- Do not apply paper or write anything on the disc surface.
- Handle the disc by its edge. Do not touch the playing surface (glossy side).
- Fingerprints and dust should be carefully wiped off the playing surface of the disc with a soft cloth.  
Wipe in a straight motion from the centre to the outside of the disc.
- Never use chemicals such as record cleaning sprays, antistatic sprays or fluids, benzene or thinner to clean compact discs.

### Temporarily stopping play

Press the ►/|| button. The CD PLAY indicator blinks. To resume play, press the button again.

### Skip play

To skip to track 6 while track 3 is playing, press the ►►/►►| button repeatedly until "6" appears on the display. To skip back to track 3 while track 6 is playing, press the ◀◀/◀◀| button repeatedly until "3" appears.

### Search(forward/reverse)

If the ►►/►►| or ◀◀/◀◀| button is pressed during play, the player will search at high speed in the forward or reverse direction while the button is being pressed. When the button is released normal play will continue.

### Repeat play

Press the REPEAT button before or during play. Each time the button is pressed, the repeat mode changes.

## PROGRAMMED PLAY

Up to 20 tracks on a disc can be programmed for play in any order.

- To begin the programming procedure, select "CD" function first.
- The same track can be programmed more than once.
- Load a disc that you want to programme before starting programmed play.

1. Press the ■ button if necessary.
2. Press the MEMORY button
3. Select a track by using the ►►/►►| and ◀◀/◀◀| buttons.
4. Press the MEMORY button.
5. Repeat steps 3 - 4 to programme additional tracks.
6. Press the ►/|| button to start play. When all programmed tracks have been played, the player stops automatically.
  - The programme contents are retained in memory.
  - To cancel programmed play, press the ■ button twice.

### Checking the programme

Press the MEMORY button twice in the stop mode, the programmed tracks sequentially appear on the display.

### Changing the programme

To add a new selection to a programme:

1. In the stop mode, press the MEMORY button.
2. Select the track number as explained above.
3. Press the MEMORY button.

### WHAT TO DO IF...

If an abnormal display indication or an operating problem occurs, disconnect the mains lead and remove all batteries. Wait at least 5 seconds, then reconnect the mains lead and reinstall the batteries. Resume the operation.

## LISTENING TO TAPES

1. Set the FUNCTION switch to TAPE.
2. Press the STOP/EJECT button. The cassette holder opens.
3. Load the cassette into the cassette holder (Fig.7). After loading the cassette, press the cassette holder back into position.
4. Press the PLAY button to begin playback.
5. Press the STOP/EJECT button to stop playback at any time. Press it again to remove the cassette.

### Note:

- Use the normal tape (TYPE 1).
- Endless tapes cannot be used.
- Do not use C-100 (or longer) tapes. They may jam in the mechanism.

### Pause

Press the PAUSE button to temporarily stop playback or recording. Press it again to resume operation.

### Fast forward and rewind

Press the FFWD or REW button. When the desired location has been reached, press the STOP/EJECT button.

## LISTENING TO THE RADIO

1. Set the FUNCTION switch to RADIO.
2. Set the BAND switch to FM or AM as desired.
3. Tune in a desired station by turning the TUNING control.
4. To turn the radio off, set the FUNCTION switch to TAPE/OFF.

### To receive FM stereo broadcasts

Set the FM MODE switch to ST.

- If the signal from an FM stereo station is weak and reception is poor, set the FM MODE switch to MONO. The reception may be improved, but the sound will be monaural.

### To improve reception

FM: Pull out the telescopic aerial and adjust its position.

AM: Rotate the unit.

## RECORDING

Recording copyright material without permission of the copyright owners is usually an infringement. If you wish to record copyright material, permission from the copyright owner is necessary. jWIN does not approve of, and cannot be held responsible for, any unlawful use of this machine.

### Recording compact discs

1. Load a blank cassette.
2. Select "CD" function.
3. Load the disc to be recorded.
  - Select the track number if required.
  - For programmed recording, programme the material in advance (as described under "PROGRAMMED PLAY").
  - Press CD PLAY button.
4. Press the REC button. The PLAY button is engaged simultaneously and CD recording starts.
5. Press the STOP/EJECT button to stop recording.

### Recording from the radio

1. Load a blank cassette.
2. Tune in the radio station to be recorded.
3. Press the REC button to start recording.
4. Press the STOP/EJECT button to stop recording.

### When beat is heard

Beat (a high pitched noise) may sometimes be heard during the recording of radio broadcasts. If this occurs, set the BEAT CANCEL switch to the position that reduces the level of the beat noise.

### Safeguards against accidental erasure

To protect side A, break out tab (1). To protect side B, break out tab (2) (Fig.8).

To erase or record a protected cassette, cover the tab openings with adhesive tape (3).

Note:

The REC button cannot be depressed when using a protected cassette.

## MAINTENANCE

### Cleaning the tape heads

To ensure continued high performance, use a cleaning tape (available from your local audio dealer) to clean the head block of the deck after about every 10 hours of use

### Cleaning the unit

Clean the outside of the unit with a clean soft cloth, moistened with lukewarm water. Do not use benzene, thinner, or alcohol since they will mar the finish of the surfaces.

### Cleaning the CD player lens

The lens should never be touched. If dust is on the lens, blow it off using a camera lens blower. (Fig. 9). (Consult your dealer.)

## PRECAUCIONES

- El aparato no debe ser expuesto a goteras o salpicaduras.
- No debe ser utilizado en lugares con temperaturas extremas (menores de 5°C o que excedan los 35°C).
- Debido a que el sonido del reproductor de discos compacto es extremadamente bajo y de amplio alcance, existe la tendencia de fijar el volumen del amplificador innecesariamente alto. Esto puede producir una salida excesivamente fuerte en el amplificador y podría dañar los altoparlantes.
- Cambios bruscos en la temperatura pueden causar condensación en el lente óptico dentro de la unidad. Si esto llegara a suceder, retire el disco compacto de la unidad y no la utilice durante aproximadamente 1 hora, después vuelva a operarla.
- No instale el equipo en un espacio confinado, tal como estantes empotrados.
- El rótulo con los datos se encuentra en la parte posterior de la unidad.

## CONTROLES (Fig. 1)

1. Selector de función (FUNCTION)
2. Botón de repetición (REPEAT)
3. Control de volumen (VOLUME)
4. Botones de salto/búsqueda (◀◀/◀◀, ▶▶/▶▶)
5. Botón de parada (■)
6. Selector expansor de Bajos (BASSXPANDER)
7. Numero brano CD nel visualizzatore (TRACK NO.)
8. Indicadores (CD PLAY, REPEAT, MEMORY)
9. Compartimiento de disco compacto
10. Control de sintonización (TUNING)
11. Selector de memoria (MEMORY)
12. Control de banda (BAND)
13. Selector de Reproducción/Pausa (▶/||)
14. Porta cassette
15. Selector de Pausa (PAUSE)
16. Selector de Parada/Expulsor (STOP/EJECT)
17. Selector de avance rápido (FFWD)
18. Selector de rebobinado (REW)

19. Selector de reproducción (PLAY)
20. Selector de grabación (REC)
21. Telescopio aéreo
22. Interruptor para Modo FM/Cancelación de Pulsación (FM MODE/BEAT CANCEL)
23. Conector de Audífonos (PHONES)
24. Connettori altoparlanti (SPEAKERS)
25. Palancas de liberación de los altavoces
26. Selector de voltaje (VOLTAGE SELECTOR)
27. Conector de entrada AC (AC INPUT)
28. Cubierta compartimiento de baterías

## ALTAVOCES

**Conexiones de los altavoces** (Fig. 3a)

**Para separar las cajas de altavoces** (Fig. 3b)

**Para fijar las cajas de altavoces** (Fig. 3c)

## SUMINISTRO DE ENERGÍA

### ENERGÍA AC

1. Antes de utilizar, asegúrese que el correspondiente al voltaje local, como se indica en la.
2. Conecte una punta del cable principal al conector de entrada (AC INPUT) y el otro a la toma de corriente CA.

Nota:

- Al conectar la unidad a la línea principal, las pilas instaladas se desconectan automáticamente.
- El interruptor FUNCTION está ensamblado en el lado secundario. La unidad no se desconecta de la línea principal así la apague.

### BATERÍAS

#### Instalación de baterías

Coloque ocho baterías "D/SUM-1/R20" (no incluidas) como se indica en la Fig. 4.

#### Cuidado de las baterías

Para prevenir fugas electrolíticas, lo cual puede causar daños a la unidad u otros objetos, tome las siguientes precauciones:

1. Las baterías deben ser colocadas en la polaridad adecuada (ver diagrama en la parte posterior de la unidad).

2. No mezcle baterías nuevas con baterías viejas o usadas.
3. Utilice baterías del mismo tipo y marca.
4. Extraiga las baterías si no van a ser utilizadas durante un largo periodo.
5. Cuando se descarguen las baterías, disponga de ellas de forma diligente cumpliendo con las disposiciones legales.

## FUNCIONAMIENTO

### Ajuste de volumen

Girar el control VOLUME.

### Selector de Expansor de Bajos

Presione la tecla BASSXPANDER para encender. Esto realza el sonido de los bajos.

### Audífonos

Conecte audífonos estereofónicos (no incluidos) al conector identificado como PHONES para monitoreo o para escuchar en privado. Los altoparlantes se desconectan automáticamente cuando los audífonos están conectados.

## REPRODUCTOR DE DISCO COMPACTO

Utilice discos compactos que lleven impreso el símbolo indicado en la Fig. 5. Además de los discos compactos convencionales de 12 cm, éste sistema puede ser utilizado para tocar discos compactos de 8 cm sin necesidad de adaptador.

1. Colocar el interruptor FUNCTION en CD.
2. Oprima la tapa del compartimento para CD (la parte indicando CD OPEN/CLOSE) para abrirlo.
3. Coloque el disco compacto con la etiqueta mirando hacia arriba (Fig. 6). (Coloque solo un disco compacto a la vez).
4. Oprima el compartimento para CD (la parte indicando CD OPEN/CLOSE) para cerrarlo. El número total de pistas del disco aparece en el visualizador TRACK NO.
5. Oprima el botón ►/II.

il suono inizia dal primo brano.

- Para comenzar la reproducción desde la pista deseada, seleccione la pista usando los botones ◀◀/◀◀ o ▶▶/▶▶, luego presione el botón ►/II.

Nota:

Si un disco se coloca con la etiqueta hacia abajo, o si no se coloca un disco, "00" aparece y el reproductor de CD no funcionará.

6. Para terminar con la reproducción del disco, presione el botón ■. Cuando se haya reproducido la última pista, el reproductor para automáticamente.
7. Para apagar el reproductor de CD, coloque el interruptor de función en la posición TAPE/OFF.

Nota:

No abra el compartimento para CD durante la reproducción del CD. Antes de abrir el compartimento para CD, oprima el botón ■ y siempre espere a que el disco pare completamente.

Esta unidad también puede reproducir el CD-R/ RW. sin embargo, y dependiendo de las condiciones de grabación, algunos CD-R/RW no pueden reproducirse.

### Cómo manejar sus discos compactos

- No exponga el disco a la luz directa del sol, exceso de humedad o altas temperaturas durante largos periodos.
- Los discos compactos deberán ser guardados en sus estuches después de su uso.
- No aplique papel o escriba sobre la superficie del disco.
- Maneje el disco por las orillas. No toque la superficie del disco (lado brillante del disco).
- Las huellas y el polvo deben ser limpiados cuidadosamente de la superficie del disco con un paño suave.  
Frote la superficie con movimientos del centro hacia el borde del disco.
- Nunca utilice químicos tales como sprays limpiadores de discos, sprays o líquidos anti-estática, bencina o thinner para limpiar su disco compacto.

### Parada temporal de la reproducción

Oprima el botón ►/||. El indicador CD PLAY destella. Para resumir la reproducción, oprima nuevamente el botón.

### Reproducción Salteada

Para saltar a la pista 6 mientras se reproduce la pista 3, oprima el botón ►►/►►| varias veces hasta que aparezca "6" en el visualizador. Para regresar a la pista 3 mientras se reproduce la pista 6, oprima el botón |◀◀/◀◀ varias veces hasta que aparezca "3".

### Búsqueda (ascendente/descendente)

Si durante la reproducción se presiona el botón ►►/►►| o |◀◀/◀◀, el reproductor buscará a velocidad alta en dirección ascendente o descendente mientras se presione el botón. Cuando se libera el botón, la reproducción normal continuará.

### Repetición

Premere el tasto REPEAT prima o durante l'ascolto. Ogni volta che il tasto e' premuto, il modo di ripetizione cambia come di seguito:

- L'indicatore REPEAT lampeggia:  
Un brano nel modo di ripetizione.
- L'indicatore REPEAT si accende:  
Tutti i brani in modo ripetizione.
- L'indicatore REPEAT si smorza:  
Normale modo di funzione.

## PROGRAMACIÓN

Se pueden programar hasta 20 pistas de un disco para que toquen en cualquier orden.

- Para comenzar el procedimiento de programación, seleccione la función "CD" primero.
- La misma pista puede ser programada mas de una vez.
- Coloque el disco que desee programar antes de comenzar una programación.

1. Si fuera necesario, oprima el botón ■.
2. Premere il tasto MEMORY. L'indicatore MEMORY E "Pr" lampeggia.
3. Seleccione una pista utilizando los botones ►►/►►| y |◀◀/◀◀.
4. Premere il tasto MEMORY.
5. Repita los pasos 3 y 4 para programar pistas adicionales.
6. Para comenzar la reproducción, oprima el botón ►/||. El indicador MEMORY permanece iluminado. Cuando todas las pistas se hayan reproducido, el reproductor para automáticamente.
  - El contenido de la memoria se retiene en la memoria.

- Para cancelar la reproducción programada, oprima el botón ■ dos veces.

### Comprobando la programación

Premere il tasto MEMORY due volte nel modo stop, i brani programmati appaiono in sequenza sul visualizzatore.

### Cambio del programma

Per aggiungere una nuova selezione al programma:

1. Nel modo stop, premere il tasto MEMORY.
2. Selezionare il numero del brano come spiegato sopra.
3. Premere il tasto MEMORY.

### QUE HACER SI ...

Aparece en el visualizador una indicación de reproducción anormal u ocurre un problema en la operación, desconecte la línea principal y retire las pilas. Espere 5 segundos, luego vuelva a conectar la línea principal e instale nuevamente las pilas. Resuma la operación de la unidad.

## COMO ESCUCHAR CASSETTES

1. Ajustar el interruptor FUNCTION a la posición TAPE.
2. Presione la tecla STOP/EJECT. El porta cassette se abrirá.
3. Coloque el cassette en el porta cassette (Fig. 7 ). Luego de haber cargado el cassette, cierre la casetera.
4. Presione la tecla de PLAY para comenzar a escuchar el cassette.
5. Presione la tecla STOP/EJECT para detener la música en cualquier momento. Presiónelo una segunda vez para extraer el cassette. Cuando la cinta llega al final, el equipo se detendrá automáticamente.

### Nota:

- Utilice cintas de tipo normal (TYPE 1).
- Cintas infinitas no pueden ser utilizadas.
- No utilice cintas que sobrepasen los 100 minutos. Esto podría atascar el mecanismo.

### Pausa

Presione la tecla de pausa PAUSE para detener temporalmente la reproducción o grabación. Presiónelo nuevamente para reanudar su operación.

### Adelantar y Rebobinar

Presione la tecla FFWD o REW. Cuando alcance la locación deseada, presione la tecla STOP/EJECT.

## ESCUCHANDO LA RADIO

1. Ajustar el interruptor FUNCTION a la posición RADIO.
2. Coloque el interruptor BAND en FM o AM, como desee.
3. Sintonizar la emisora deseada girando el control TUNING.
4. Para apagar la radio, ajustar el interruptor FUNCTION a la posición TAPE/OFF.

### Recepción de emisiones en FM estéreo

Coloque el interruptor FM MODE en la posición ST.

- Si la señal de una emisora FM estéreo es débil y la recepción es pobre, coloque el interruptor FM MODE en la posición MONO. La recepción puede mejorar, pero el sonido será monoaural.

### Cómo mejorar la recepción

FM: Utilice el telescopio aéreo y ajuste su posición.

AM: Gire la unidad.



## GRABACIÓN

Grabar material con derechos de autor sin autorización de los propietarios está penalizado. Si usted desea regrabar material con derechos de autor, solicite permiso al propietario de ser necesario. SANYO no aprueba ni puede ser responsable por cualquier uso ilegal de este aparato.

### Grabando discos compactos (grabación sincronizada)

1. Cargue un cassette en blanco.
2. Seleccione la función "CD".
3. Cargue el disco compacto a ser grabado.
  - Seleccione el número de pista deseada.
  - Para programar su grabación, programe el material con anterioridad (como fue descrito bajo "PROGRAMMED PLAY").
4. Presione la tecla REC. La tecla de PLAY se accionará simultáneamente y la grabación comenzará.
5. Presione la tecla de STOP/EJECT para detener la grabación.

### Grabando de la radio

1. Cargue un cassette en blanco.
2. Sintonice la estación de radio a ser grabada.
3. Presione la tecla REC para comenzar la grabación.
4. Presione la tecla STOP/EJECT para detener la grabación.

### Cuando escuche resonancia

La resonancia (un sonido de tono elevado) puede ser escuchado a veces durante la grabación de transmisiones radiales. Si ocurriera esto, ajuste el selector a BEAT CANCEL a la posición que reduzca el nivel de resonancia.

### Cómo protegerse de borrado accidental

Para proteger la cara A, rompa la tapa (1). Para proteger la cara B, rompa la tapa (2) (Fig. 8).

- Para borrar o grabar un cassette protegido, cubra las aperturas con cinta adhesiva (3).

Nota:

La tecla REC no debe ser presionada cuando utilice un cassette protegido.

## MANTENIMIENTO

### Limpieza de las cabezas del magnetófono

Para asegurar el mayor rendimiento, utilice un cassette (disponible en su tienda de audio más cercana) para la limpieza de los cabezales, lo cual debe llevar a cabo luego de 10 horas de uso.

### Limpieza de la unidad

Limpie el exterior de la unidad con un paño suave y limpio, humedecido con agua tibia. No utilice bencina, thinner ni alcohol ya que ellos pueden dañar el acabado de la superficie.

### Limpieza del lente lector de disco compacto

El lente nunca debe ser tocado. Si el lente tuviera polvo, soplelo utilizando un soplador de lente fotográfico. (Fig. 9). (consulte a su distribuidor.)

## SPECIFICATIONS

### CD Player

Channels:  
2-channel stereo  
Sampling frequency:  
44.1 kHz  
**Pick-up:**  
Semiconductor laser  
Laser output:  
0.6 mW (Continuous wave max.)  
Wave length:  
790 nm  
Wow/Flutter:  
Below measurable limits

### Radio

Reception frequency:  
FM 88 - 108 MHz  
AM 530 - 1710 KHz

### Cassette deck

Track system:  
4-track, 2 - channel stereo  
Erasing system:  
Magnet erase  
Tape speed:  
4.75 cm/sec.  
Frequency response:  
80 ~ 12,000 Hz  
Fast forward/rewind time:  
Approx. 110 sec. (C-60)

### General

Output power:  
4W x 2 (RMS)  
Speakers:  
12 cm x 2 (4 ohms)  
Terminal:  
PHONES: 32 ohms  
Power source:  
AC: 110/220V 60/50Hz  
DC: 12V (UM -1X8) batteries  
Dimensions:  
555(W) x 250(H) x 230 (D) mm  
Weight:  
Approx. 5.1 kg (without batteries)

Specifications subject to change without notice.

For future reference, fill in the space provided for model number and serial number.

Model No.: \_\_\_\_\_

Serial No.: \_\_\_\_\_

## Free Manuals Download Website

<http://myh66.com>

<http://usermanuals.us>

<http://www.somanuals.com>

<http://www.4manuals.cc>

<http://www.manual-lib.com>

<http://www.404manual.com>

<http://www.luxmanual.com>

<http://aubethermostatmanual.com>

Golf course search by state

<http://golfingnear.com>

Email search by domain

<http://emailbydomain.com>

Auto manuals search

<http://auto.somanuals.com>

TV manuals search

<http://tv.somanuals.com>