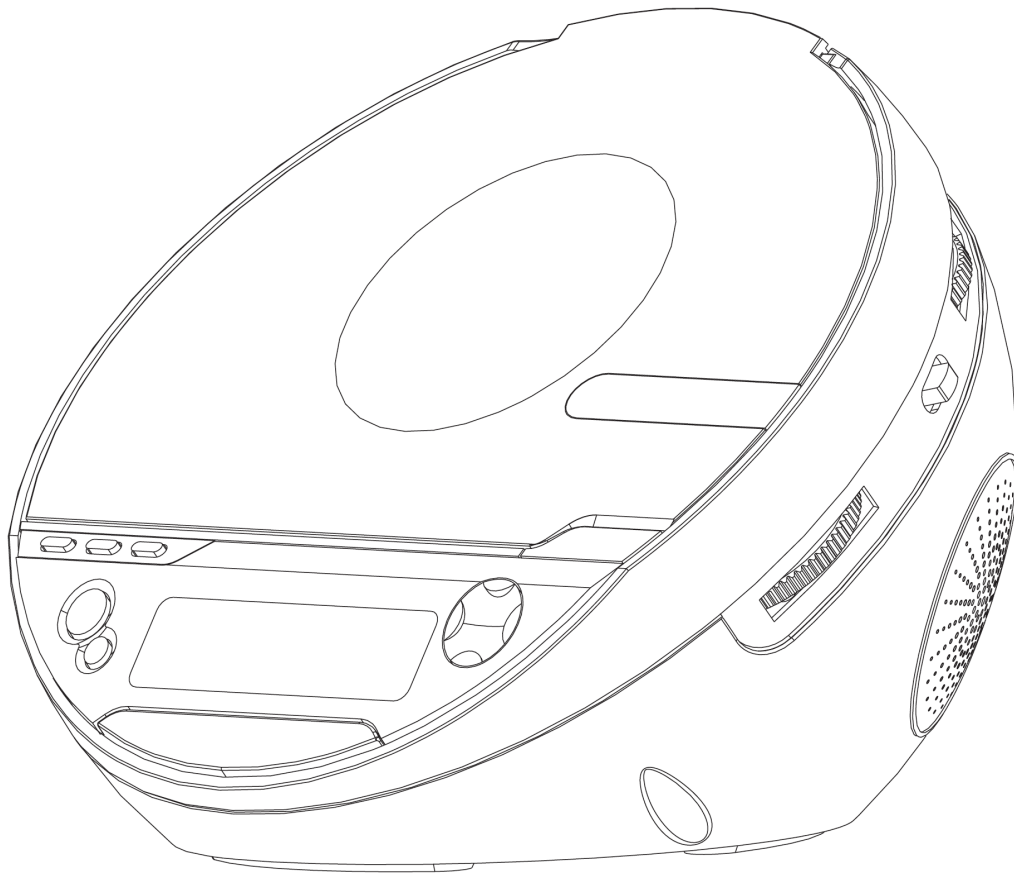


jWIN

**STEREO CD PLAYER WITH
DUAL ALARM CLOCK RADIO**



Instruction Manual

JL-CD815

Please read this manual carefully before operating and save it for future reference.

Have a question? Please visit <http://www.jWIN.com>

USER SAFETY GIUDE

IMPORTANT SAFETY INSTRUCTIONS

WARNING: To prevent fire or shock hazard, do not expose this appliance to rain or moisture.



CAUTION
RISK OF ELECTRIC SHOCK
DO NOT OPEN



These markings are located on the bottom, side or back of the unit.

CAUTION: To prevent the risk of electric shock, do not remove cover (or back). Non- user-serviceable parts inside. Refer servicing to a service professional.

- The lightning flash with an arrowhead symbol, within an equilateral triangle, is intended to alert the user to the presence of un-insulated "dangerous voltage" within the product's enclosure that may be of sufficient magnitude to constitute a risk of electric shock to a person.
- The exclamation point within an equilateral triangle is intended to alert the user to the presence of important operating, maintenance and servicing instructions in the literature accompanying the appliance.

Dripping warning: "This product shall not be exposed to any dripping or splashing, and no objects filled with liquids, such as vases, shall be placed on or near the product."

Ventilation warning: "The normal ventilation of the product shall not be impeded for intended use." (Minimum distances must be kept around the apparatus for sufficient ventilation, especially while use of the apparatus is in tropical and/or moderate climates.)

	<p>Dispose of old batteries safely. Do not throw them into a fire.</p>
	<p>LASER SAFETY This unit utilizes laser technology. Only a qualified professional should remove the cover or attempt to service this device, due to possible eye injury.</p> <p>CAUTION</p> <ul style="list-style-type: none"> • Use of controls or adjustments or performance of procedure other than specified herein may result in hazardous radiation exposure. • Hazardous laser radiation when open and interlock defeated. <p>DANGER Invisible laser radiation when open and interlock failure. Avoid direct exposure to beam.</p>

USER SAFETY GUIDE

INSTRUCTIONS ON ENVIRONMENT PROTECTION

Do not dispose of this product in the usual household garbage at the end of its life cycle; bring it to a collection point for the recycling of electrical and electronic appliances. This symbol on the product means the instructions for use or the packing will inform about the methods for disposal. The materials are recyclable as mentioned in its marking. By recycling, material recycling, or other forms of re-utilization of old appliances, you make an important contribution to protect the environment. Please inquire at your local community administration for the authorized disposal location.




IMPORTANT SAFETY PRECAUTIONS

1. **READ INSTRUCTIONS** - All safety and operating instructions should be read before the appliance is operated.
2. **RETAIN INSTRUCTIONS** - The safety and operating instructions should be retained in a secure place for future reference.
3. **HEED WARNINGS** - All warnings on the appliance and in the operating instructions should be observed.
4. **FOLLOW INSTRUCTIONS** - All operating and use instructions should be followed.
5. **WATER AND MOISTURE** - The appliance should not be used near water. For example: near a bathtub, kitchen sink, laundry tub, and swimming pool or even in a wet basement.
6. **VENTILATION** - The appliance should be situated so that its location and position does not interfere with its proper ventilation. For example, the appliance should not be situated on a bed, sofa, rug or similar surface that may block the ventilation openings; or, be placed in a built-in installation, such as a bookcase or cabinet that may impede the flow of air through the ventilation openings.
7. **HEAT** - The appliance should be situated away from heat sources such as radiators, heat registers, stoves, or other appliances (including amplifiers) that produce heat.
8. **POWER SOURCES** - The appliance should be connected to a power supply only of the type described in the operating instructions or as marked on the appliance.
9. **GROUNDING AND POLARIZATION** - Precautions should be taken to ensure that the grounding or polarization of the appliance is correct.
10. **POWER CORD PROTECTION** - Power supply cords should be routed so that they are not likely to be walked on or obstructed by items placed upon or against them. Pay particular attention to cords at plugs, convenience receptacles, and the point at which they exit from the appliance.
11. **CLEANING** - The appliance should be cleaned only as recommended by the manufacturer.
12. **POWER LINES** - An outdoor antenna should be located away from power lines.
13. **NONUSE PERIODS** - The power cord of the appliance should be unplugged from the outlet when the appliance is to be left unused for an extended period of time.

USER SAFETY GUIDE

IMPORTANT SAFETY PRECAUTIONS – CONTINUED

14. **OBJECT and LIQUID ENTRY** - Care should be taken so that objects do not fall and liquids are not spilled into the device's openings.
15. **CARTS AND STANDS** - The appliance should be used only with a cart or stand that is recommended by the manufacturer. An appliance and cart combination should be moved with care. Quick stops, excessive force, and uneven surfaces may cause the appliance and cart combination to overturn. 
16. **WALL OR CEILING MOUNTING** - If the appliance is mounted to a wall or ceiling, it should be mounted only as recommended by the manufacturer.
17. **DAMAGE REQUIRING SERVICE** - The appliance should be serviced by qualified service professional when:
 - a. The power-supply cord or plug has been damaged.
 - b. Objects have fallen into, or liquid has been spilled into the appliance's apertures.
 - c. The appliance has been exposed to rain.
 - d. The appliance has been dropped and suffered damage.
 - e. The appliance does not appear to operate normally or exhibits a marked change in performance.
18. **SERVICING** - The user should not attempt to service the appliance beyond that described in the user's operating instructions. All other servicing should be referred to qualified service professional.
19. **PROTECTIVE ATTACHMENT PLUG** - The appliance is equipped with an attachment plug that has an overload protection. This is a safety feature. If replacement of the plug is required, be sure the service technician has used a replacement plug specified by the manufacturer that has the same overload protection as the original plug. (UK Version Only)

FCC NOTICE (USA)

This device complies with Part 15 of the FCC Rules. Operation is subject to the following two conditions: (1) this device may not cause harmful interference, and (2) this device must accept any interference received, including interference that may cause undesired operation.

FCC regulations state that any change or modification to the equipment, not expressly approved by maker or its authorized parties, could void user's authority to operate this equipment.

- To prevent fire or electric shock, do not expose the unit to rain or moisture.
- Never attempt to open the cabinet. Dangerous high voltages are present in the unit. Always refer servicing to a qualified technician.

IC NOTICE (CANADA)

This digital apparatus does not exceed the Class B limits for radio noise emissions from digital apparatus as set out in the Radio Interference Regulations of Industry Canada.

TABLE OF CONTENTS

1. Getting Started	
a. Introduction	5
b. Location of Controls (Top View)	6
c. Location of Controls (Side View L and R)	7
d. Connecting to AC Power	8
e. Antenna	8
f. Installing a Battery	8
g. Setting the Clock	8
2. Operational Instructions	
a. About the CD Player	9
b. Selecting the CD Player	9
c. Basic CD Operation	9
d. Additional CD Playback Features	10
e. Turning off the CD Player	10
f. Listening to the Radio	11
g. Using the Alarm	11
3. Maintenance	
a. Notes on CDs	13
b. Cleaning the lens	13
c. Cleaning the cabinet	13
4. Troubleshooting / Specifications	
a. Troubleshooting Guide	14
b. Specifications	14

GETTING STARTED

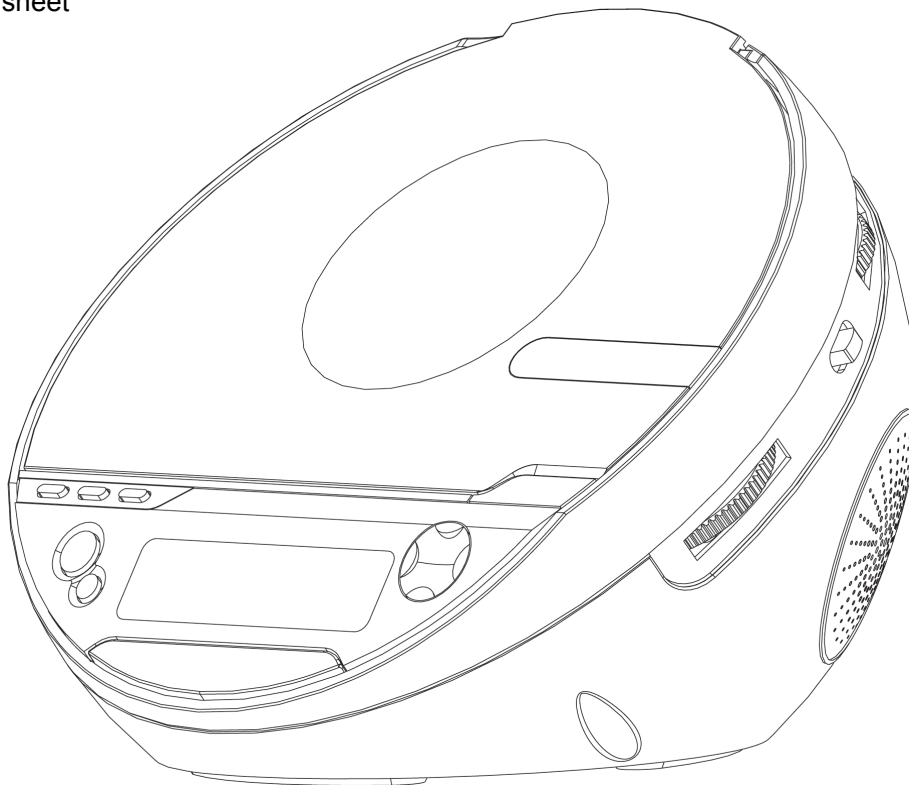
Thank you for purchasing the JL-CD815. Unpack the unit and make sure to put aside all accessories so they will not be lost. We recommend that you retain the original carton and packaging materials for future use, should you transport or ship the unit in the future.

Digital dual alarm clock with audio CD playback

- Negative liquid crystal display (LCD)
- Digital dual alarm clock with snooze function
- CD top loading mechanism
- Supports Repeat and Random functions
- Programmable memory for 20 audio tracks
- AM / FM radio with digital frequency display
- Wake to audio CD, radio, or buzzer
- Fall asleep to audio CD or radio
- Dimmer button for adjusting LCD brightness
- Built-in speakers
- Playable Media: Audio CD (CD-R / CD-RW)

What's included

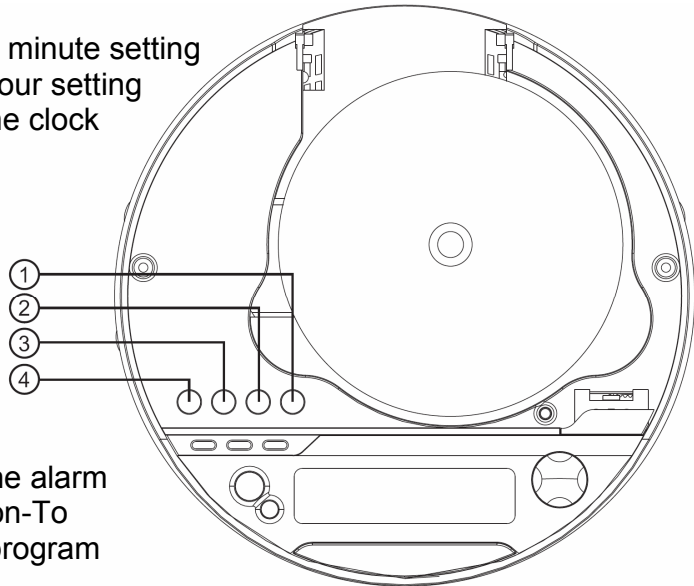
- Digital dual alarm clock
- Instruction manual
 - USA/CANADA: English / Spanish / French
 - Europe: TBD
- Warranty card
- Sales sheet



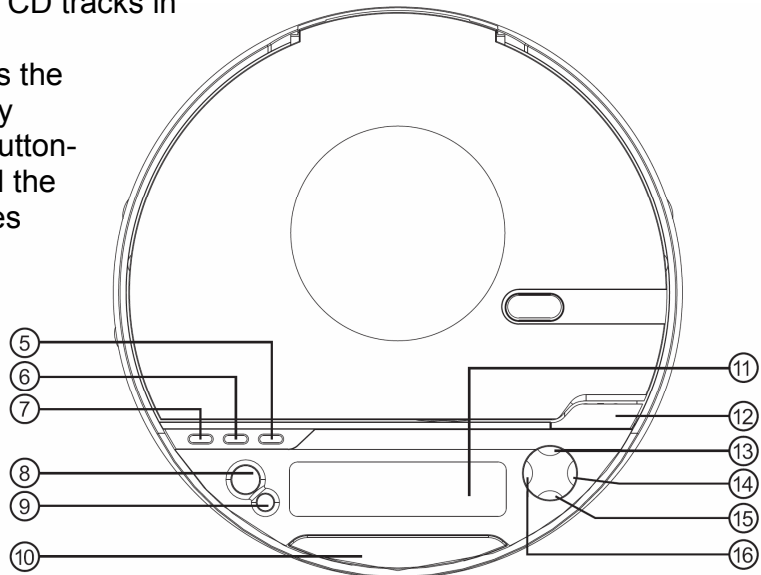
GETTING STARTED

Location of Controls (Top View)

1. **MINUTE** button-Adjusts the minute setting
2. **HOUR** button-Adjusts the hour setting
3. **CLOCK SET** button-Sets the clock



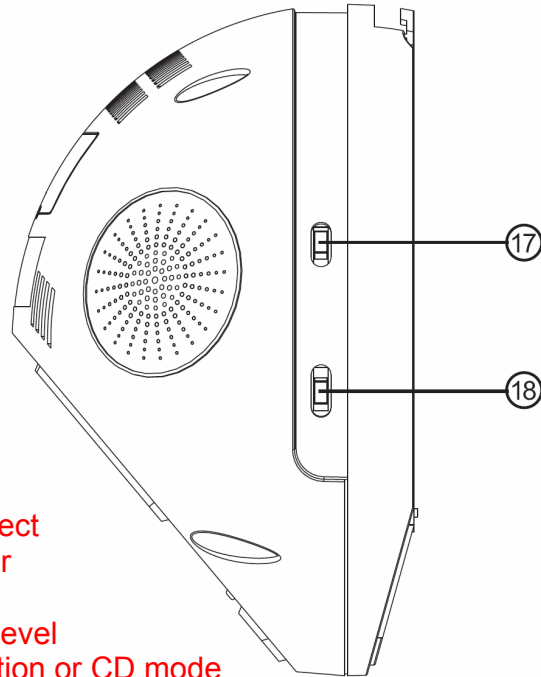
4. **ALARM SET** button-Sets the alarm
5. **REPEAT/PROGRAM** button-To select repeat options and program CD tracks
6. **RANDOM** button-Plays CD tracks in random order
7. **DIMMER** button-Adjusts the brightness of the display
8. **ALARM SLEEP/OFF** button-Shuts off the alarm until the next day and deactivates sleep mode.



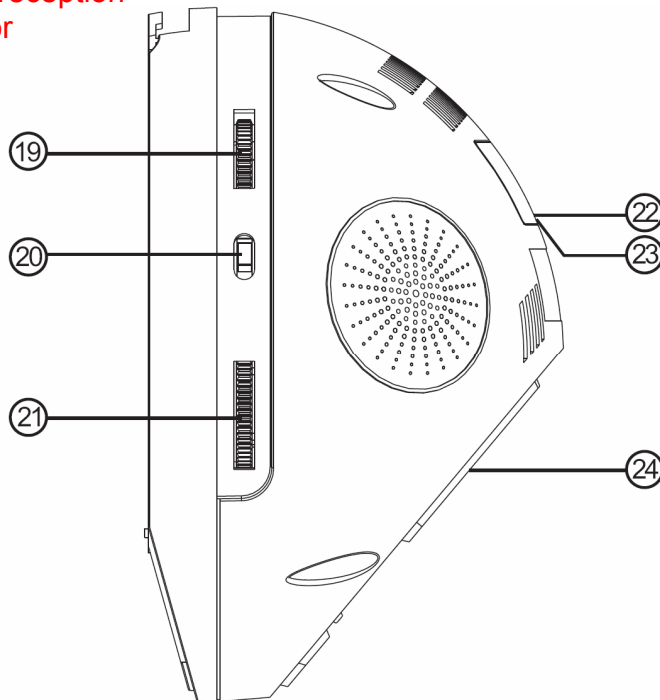
9. **SLEEP** button-Plays music for a preset length of time
10. **SNOOZE** button-Enter snooze mode (7 minutes).
11. **LCD display**-Displays clock, radio and CD information
12. **CD OPEN** button-Opens disc compartment
13. **CD PLAY/PAUSE** button-Starts or pauses CD playback
14. **SKIP/SEARCH FORWARD** button-To skip to the next CD track or search forward
15. **CD STOP** button-Stops CD playback
16. **SKIP/SEARCH BACKWARD** button-To skip to the previous track or search backward

GETTING STARTED

Location of Controls (Side View L and R)



- 17. **AL1/AL2/AL1+2** Switch-To select alarm preference
- 18. **BUZZER/AUTO/OFF/ON** Switch-Select buzzer alarm, wake to CD or radio, or radio on/off
- 19. **VOLUME** control-Adjusts the sound level
- 20. **AM/FM/CD** –To select AM or FM station or CD mode
- 21. **TUNING** Dial-To tune to desired radio station
- 22. **AC Power Cord**-To connect to a standard AC outlet
- 23. **FM Antenna**-For better FM reception
- 24. **BATTERY** Compartment-For backup battery



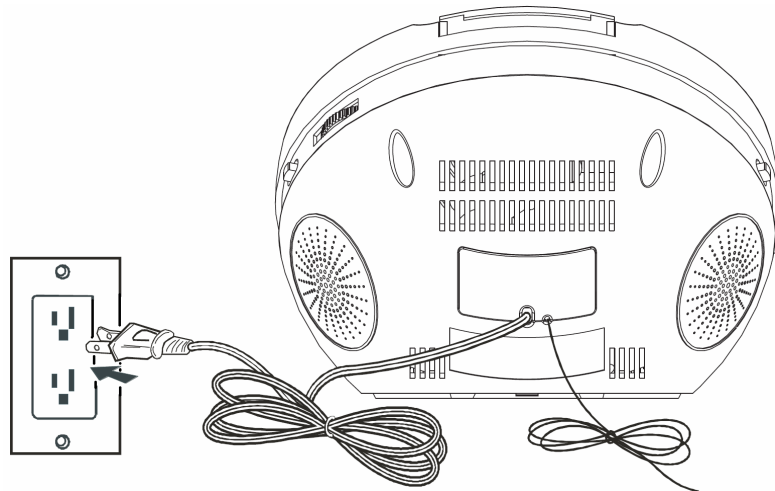
GETTING STARTED

Connecting to AC Power

Plug the CD clock radio's power cord into a standard AC outlet. When you connect AC power, the "12:00" will flash on the display.

Antennas

For best FM reception, fully extend the FM antenna. For AM reception, this unit has a built-in antenna.



Installing a Battery

To keep the clock running for up to eight hours during an AC power failure, insert a 9-volt battery (not supplied) into the battery compartment. For the longest life, an alkaline battery is recommended.

Important Notes on Batteries

To prevent battery leakage, which may result in bodily injury, property damage or damage to the unit, follow these instructions.

- Install all batteries correctly according to the polarity (+/-) as marked on the unit.
- Use only fresh, 9-volt batteries with this unit
- Remove batteries from the unit when the device will not be used for an extended time.
- There is no display when powered by the battery. The unit will continue to keep time in memory.
- During an AC power failure, the JL-CD815 will only work when the BUZZ/AUTO/OFF/ON Switch is set to AUTO or BUZZ.
- Prolonged AC power failure can drain the battery.

Please dispose the used batteries properly according to your local government regulations.

Setting the Clock

1. Press and hold the **CLOCK SET** button.
2. Press the **HOUR** button to set the hour.
3. Press the **MINUTE** button to set the minute

Notes: The clock display is in 12 hour format. A PM icon lights to indicate PM. To change between AM and PM time, advance the time setting by 12 hours.

OPERATIONAL INSTRUCTIONS

About the CD Player

Your CD clock radio can play audio CDs, CD-R and CD-RW discs. Playback quality of CD-RW discs may be affected by the following variables:

- Variation in CD-RW brands
- The disc recording speed
- The software used to create the CD

Notes: This CD clock radio is designed to play on a stable surface not subject to vibration. Bumping the set during CD playback, may cause the music will stop or skip for a few seconds. This is normal.


Selecting the CD Player

1. Slide the **FM/AM/CD** Switch to **CD**.
2. Slide the **BUZZ/AUTO/OFF/ON** Switch to **ON**.

If the CD compartment is empty is empty, “00” appears briefly on the LCD screen followed by the word “No.”

Basic CD Operation

Playing a CD

1. Lift the CD door and place a CD in the compartment with the label facing upwards.
2. Close the door.
3. Press the **CD PLAY/PAUSE** button to begin playback. The LCD screen will display  and the current track number.

Pausing Playback

- Press the **PLAY/PAUSE** button during CD playback to pause. Press again to resume playback.

Stopping Playback

- Press the **STOP** button to stop playback.

Skipping Tracks

1. Press the **SKIP/SEARCH FORWARD** button to skip to the next track.
2. Press the **SKIP/SEARCH BACKWARD** button to return to the previous track(s).

Searching Tracks

1. Press and hold the **SKIP/SEARCH FORWARD** button to search forward during playback.
2. Press and hold the **SKIP/SEARCH BACKWARD** button to search backward during playback.

Adjusting the Volume

- Use the **VOLUME** control on the left side of the unit to control the sound level.

OPERATIONAL INSTRUCTIONS

Additional CD Playback Features

Programming (up to 20 tracks)

1. Slide the **ON/OFF/AUTO/BUZZ** Switch to ON and the **FM/AM/CD** Switch to CD.
2. Press **PROGRAM/REPEAT** and program icon "**PROG**" appears on the display with the memory location "01" flashing.
3. Press **SKIP/SEARCH FORWARD** or **SKIP/SEARCH BACKWARD** to locate the desired track.
4. Press **PROGRAM/REPEAT** to confirm selection. The next memory location "02" flashes on the display.
5. Repeat steps 3 and 4 for each track you wish to program.
6. Press **PLAY/PAUSE** to start program playback. The "**PROG**" icon lights on the display.

Note: Press **STOP** to stop and cancel programmed playback. To change the current program, create a new program by repeating the above steps.

Repeat Play

During playback, press **PROGRAM/REPEAT** repeatedly to toggle the following repeat options:

- **REPEAT 1** - Repeats a single track.
- **REPEAT ALL**- Repeats all tracks on the CD. If the program setting is in use ("**PROG**" appears on the display), this setting repeat all programmed tracks.

To cancel, press **PROGRAM/REPEAT** until repeat icons disappear from the display.

Random play

1. Press **RANDOM** to play CD tracks in random order. "**RAND**" appears on the display.
2. Press **SKIP/SEARCH FORWARD** to play the next randomly selected track.
3. Press **RANDOM** again to resume normal playback.

Turning Off the CD Player

Slide **ON/OFF/AUTO/BUZZ** Switch to **OFF** to turn off the CD player.

Notes: When done, remember to slide **ON/OFF/AUTO/BUZZ** Switch to **BUZZ** or **AUTO** so the buzzer alarm, CD music or radio will sound at the next preset alarm time. Adjust the **VOLUME** control so the alarm is loud enough to wake you up. Refer to the "Using the Alarm" instructions in this manual for details.

OPERATIONAL INSTRUCTIONS

Listening to the Radio

Selecting Radio Band

1. Slide the **CD/AM/FM** Switch to the **AM** or **FM** position.
2. Slide the **BUZZ/AUTO/OFF/ON** Switch to **ON**.

Tuning the Radio

- Adjust the **TUNING** control on the right side of the unit until the desired station frequency is located. The Frequency will display on the LCD screen.

Notes: Fully extend the FM antenna on the back of your CD clock radio for better FM reception. Rotate the unit for better AM reception, or place near a window.

Turning off the Radio

Slide the **BUZZ/AUTO/OFF/ON** Switch to **OFF** to turn off the radio.

Notes: When done, remember to slide **BUZZ/AUTO/OFF/ON** to **BUZZ** or **AUTO** so the buzzer alarm, CD music or radio will sound at the preset alarm time. Adjust the **VOLUME** control so the alarm is loud enough to wake you up. Refer to the "Using the Alarm" instructions in this manual for details.

Using the Alarm

Your CD clock radio has a dual-alarm system that lets you set two different alarm times.

1. Setting the Alarm
2. Slide the **AL1/AL2/AL1+2** switch on left side of the unit to **AL1** to set **ALARM 1** time or to **AL2** to set **ALARM 2** time.
3. The display will show **ALARM 1** or **ALARM 2** according to your selection.
4. Slide the **BUZZ/AUTO/OFF/ON** switch on left side of the unit to **BUZZ** or **AUTO**. Refer to "Waking to Buzzer, CD or Radio" instructions in this manual.
5. Hold **ALARM SET** button and press the **HOUR** button to adjust hour or press the **MINUTE** button to adjust minutes until the desired alarm time is displayed on the LCD screen.

Notes: Remember to check to the PM indicator when setting the alarm time.

Checking Alarm Time

1. Slide the **AL1/AL2/AL1+2** switch on left side of the unit to **AL1** or **AL2**.
2. Hold down the **ALARM SET** button to view selected alarm time.

Selecting Alarm Options

- Slide the **AL1/AL2/AL1+2** switch on left side of the unit to **AL1** to activate **ALARM 1**, **AL2** to activate **ALARM 2** or **AL1+2** to activate both alarms.

Notes: The alarm will not sound if the **BUZZ/AUTO/OFF/ON** switch is set to **ON** or **OFF**. You can confirm this by checking to see if "**ALARM 1**" or "**ALARM 2**" shows on the LCD screen. The alarm will not sound when the clock radio is disconnected from AC power and powered by the backup battery only.

Waking to the Buzzer

1. Slide the **BUZZ/AUTO/OFF/ON** switch to **BUZZ** for buzzer alarm.
2. Set the alarm time. Refer to "setting alarm time" for details.
3. The alarm buzzer will sound at the preset alarm time.

OPERATIONAL INSTRUCTIONS

Using the Alarm-continued.

Waking to CD music

1. Slide the **BUZZ/AUTO/OFF/ON** Switch to **AUTO**.
2. Set the alarm time. Refer to the "Setting the Alarm" instructions in this manual.
3. Slide the **CD/AM/FM** switch to **CD** to wake to music.
4. Insert a CD in the CD player.
5. Adjust the **VOLUME** control to a setting loud enough to wake you up at the preset time.
6. The CD will start playing at the preset alarm time.

Note: Make sure a CD is loaded in the disc compartment.

Waking to Radio

1. Slide the **CD/AM/FM** Switch to the desired band **AM** or **FM** and tune to the desired station using the **TUNING** control. Refer to the "Listening to the Radio" instructions in this manual.
2. Slide the **BUZZ/AUTO/OFF/ON** switch to **AUTO**.
3. Set the alarm time. Refer to the "Setting the Alarm" instructions in this manual.
4. Adjust the **VOLUME** control to a setting loud enough to wake you up at the preset time.
5. The radio will turn on at the preset alarm time.

Stopping the Alarm

- Press **ALARM SLEEP/OFF** to stop the buzzer, CD music or radio alarm. The alarm will sound again the next day at the preset alarm time.

Deactivating Alarm

- Slide the **BUZZ/AUTO/OFF/ON** Switch to **OFF** to deactivate all alarms.

Snooze

- When the alarm sounds at the preset time, press the **SNOOZE** button to enter snooze mode. The alarm will sound again after seven minutes.

Sleep to CD Music or Radio

1. Slide the **CD/AM/FM** Switch to **AM** or **FM** to sleep to the desired radio band or to **CD** to sleep to CD music.
2. Slide the **BUZZ/AUTO/OFF/ON** switch to **BUZZ**, **OFF** or **AUTO**.
3. Press the **SLEEP** button. "59" and **SLEEP** icon appear on the display.
4. Press and hold the **SLEEP** button and press **MINUTE** to adjust the sleep minutes.
5. Press and hold the **SLEEP** button and press **HOUR** to increase or decrease by one hour.

Note: The maximum sleep time is 1:59.

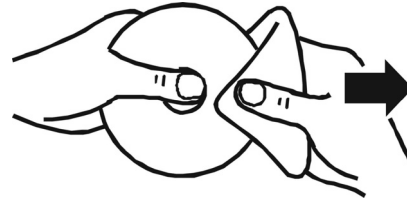
Deactivating Sleep Time

- To turn off CD music or radio before the sleep time expires, press the **ALARM SLEEP/OFF** button.

MAINTENANCE

Notes on CDs

1. Before playing, clean the CD with a cleaning cloth. Wipe the CD from the center out to the ends.
2. Do not use solvents such as benzine, thinner, commercially available cleaners or anti-static spray intended for vinyl LPs.
3. Do not expose the CD to direct sunlight or heat sources such as hot air ducts. Do not expose to direct sunlight, nor leave CDs in a car, as there can be a considerable rise in temperature.
4. Do not stick paper or sticker on the CD. Do not scratch, dirt or fingerprints on the CD, for it may cause tracking error.



Cleaning the lens

If the lens becomes dirty, it may cause a skipping of sound during CD operation. Clean with a commercially available lens cleaner.

Cleaning the cabinet

Clean the cabinet, panel and controls with a soft cloth slightly moistened with a mild detergent solution. Do not use any type of abrasive pad, scouring powder, or solvent, such as alcohol or benzine.

TROUBLESHOOTING GUIDE / SPECIFICATIONS

When the instructions in this manual are followed, this unit should function properly. However, if any of the following difficulties occur and cannot be corrected by the user or if a problem arises that is not mentioned here, please contact jWIN Customer Service or a qualified service technician.

1. Unit Does Not Play
 - Unit may be disconnected from power source. Check connection.
 - Disc is not correctly set. CDs should be inserted label side up.
 - Disc is scratched or dirty. Please clean.
 - The lens is dirty. Wipe clean gently with soft, dry cloth. Follow the instructions of the lens cleaner.
 - There is moisture on the lens wait an hour and try again.
 - For CD playback, **FM/AM/CD** Switch must be in the **CD** position.
 - Improper disc may be inserted. This unit does not play MP3 or WMA discs.
2. No Sound, Distorted Sound or Feedback
 - Disc is scratched or dirty. Please clean.
 - Volume control is turned down. Please increase.
 - The unit may be located where there is vibration. Move unit if necessary.
3. Radio Reception is Unclear
 - Radio station frequency may be weak. Adjust antenna or move near a window.
4. Alarm does not function
 - The **ON/OFF/AUTO/BUZZ** Switch may not be set in proper position. Set to **AUTO** or **BUZZ**.
 - Alarm function may not be set. Ensure that **ALARM 1**, **ALARM 2**, or **ALARM 1+2** icons appear on the LCD screen.
5. "No" appears on screen even with CD inserted
 - Disc may be improperly inserted. Ensure that it is placed in the CD compartment with the label side facing up.

Specifications

- Frequency Range
 - AM: 530kHz – 1710kHz
 - FM: 87.5MHz – 108MHz
- Power Requirement
 - **AC 120V, 60Hz**
 - Battery: 9V battery for clock backup (battery not included)
- Power Consumption: as low as possible

General description

Power source: **AC 230V ~ 50Hz**
 Output power: 1 W / channel ??????

* Specifications and features are subject to change without prior notice.

jWIN

TEL: 516-626-7188

FAX: 516-626-7105

website: www.jWIN.com

© 2007 jWIN Electronics Corp. All rights reserved. No portion of this printed material or product enclosed herewith including design, shape and graphics, may be reproduced or transmitted in any form without prior written consent of jWIN Electronics Corp. by any means, electronic or mechanical, including photocopying, recording or use of an information storage and retrieval system. Any unauthorized distribution or reproduction of this printed material or product, or any portion thereof, will be prosecuted to the fullest possible extent of the law.

Printed in China

Free Manuals Download Website

<http://myh66.com>

<http://usermanuals.us>

<http://www.somanuals.com>

<http://www.4manuals.cc>

<http://www.manual-lib.com>

<http://www.404manual.com>

<http://www.luxmanual.com>

<http://aubethermostatmanual.com>

Golf course search by state

<http://golfingnear.com>

Email search by domain

<http://emailbydomain.com>

Auto manuals search

<http://auto.somanuals.com>

TV manuals search

<http://tv.somanuals.com>