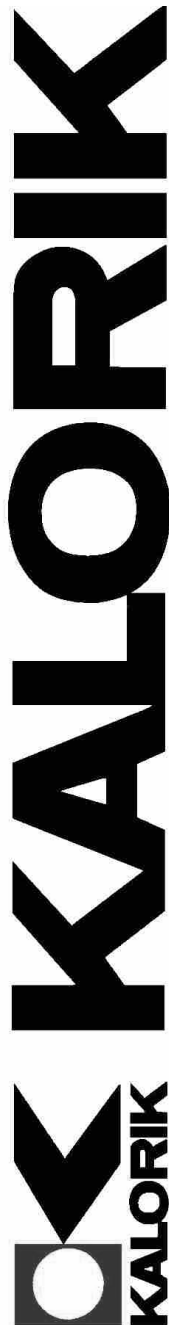




Fax +1 305 430 9280

Copies of the I/B. Please reproduce them without any changes except under special instruction from Team International USA. The pages must be reproduced and folded in order to obtain a booklet A5 (+/- 148.5 mm width x 210 mm height). When folding, make sure you keep the good numbering when you turn the pages of the I/B. Don't change the page numbering. Keep the language integrity. **Print only what is inside the frame.**



Cupcake Maker

Maquina para hacer

Magdalenas

Cupcake Maker

MFM 37992

www.KALORIK.com

120V~60Hz 1000W (8.3A)



Front cover page (first page)

Assembly page 1/36



Fax +1 305 430 9280

Copies of the I/B. Please reproduce them without any changes except under special instruction from Team International USA. The pages must be reproduced and folded in order to obtain a booklet A5 (+/- 148.5 mm width x 210 mm height). When folding, make sure you keep the good numbering when you turn the pages of the I/B. Don't change the page numbering. Keep the language integrity. **Print only what is inside the frame.**



(EN) OPERATING INSTRUCTIONS

IMPORTANT SAFEGUARDS

When using electrical appliances, basic safety precautions should always be followed, including the following:

1. READ ALL INSTRUCTIONS

2. Check that your mains voltage corresponds to that stated on the rating plate of the appliance, before using the appliance.
3. Do not touch hot surfaces. Use the handles.
4. To protect against electrical shock do not immerse cord, plug, or the appliance in water or any other liquid.
5. Please keep out of reach of children and pets. This product is not intended for use by children, by persons with reduced physical, sensory or mental capabilities, or lacking experience or knowledge, unless they have been given supervision or instruction concerning the use of the product, by a person responsible for their safety. Extra caution is always necessary when using this product.
6. Unplug from outlet when not in use and before cleaning. Allow to cool before cleaning the appliance.
7. Do not operate any appliance with a damaged cord or plug or after the appliance malfunctions or has been damaged in any manner. Return the appliance to the manufacturer's authorized service facility for examination, repair, or adjustment.
8. The use of accessory attachments not recommended by the appliance manufacturer may cause injuries, fire or electric shock.
9. Do not use outdoors.
10. Do not let the cord hang over the edge of the table or counter, or touch hot surfaces.
11. Do not place on or near a hot gas or electric burner, or in a heated oven.
12. Extreme caution must be used when moving an appliance containing hot oil or other hot liquids.
13. To disconnect, remove the plug from the wall outlet.
14. Do not use the appliance for other than intended use.



Fax +1 305 430 9280

Copies of the I/B. Please reproduce them without any changes except under special instruction from Team International USA. The pages must be reproduced and folded in order to obtain a booklet A5 (+/- 148.5 mm width x 210 mm height). When folding, make sure you keep the good numbering when you turn the pages of the I/B. Don't change the page numbering. Keep the language integrity. **Print only what is inside the frame.**



15. When using this appliance, provide adequate airspace above and on all sides for air circulation. On surfaces where heat may cause a problem, an insulated hot pad is recommended.
16. Do not leave unit unattended during use.
17. Always use the product on a clean, flat, hard, dry surface. There should be no material such as a tablecloth or plastic between the unit and surface. A fire may occur if this appliance is covered, or touching flammable material, including curtains, draperies, walls, and the like, when in operation.
18. It is absolutely necessary to keep this appliance clean at all times as it comes into direct contact with food.
19. Be careful not to scratch the non-stick coating of the cooking plate, as you might get little pieces of this coating into the food. If scraping is necessary, unplug the appliance and use a classic wooden spatula or a heat resistant plastic one.
20. The appliance shall not be operated using a separate timer or separate remote device.

SAVE THESE INSTRUCTIONS HOUSEHOLD USE ONLY

POLARIZED PLUG INSTRUCTIONS

This appliance is equipped with a polarized plug (one blade is wider than the other). To reduce the risk of electric shock, this plug will fit into the polarized outlet only one way. If the plug does not properly fit into the outlet at first, reverse it. If it still does not fit, contact a qualified electrician. **Do not attempt to modify the plug in any way.**



Fax +1 305 430 9280

Copies of the I/B. Please reproduce them without any changes except under special instruction from Team International USA. The pages must be reproduced and folded in order to obtain a booklet A5 (+/- 148.5 mm width x 210 mm height). When folding, make sure you keep the good numbering when you turn the pages of the I/B. Don't change the page numbering. Keep the language integrity. **Print only what is inside the frame.**



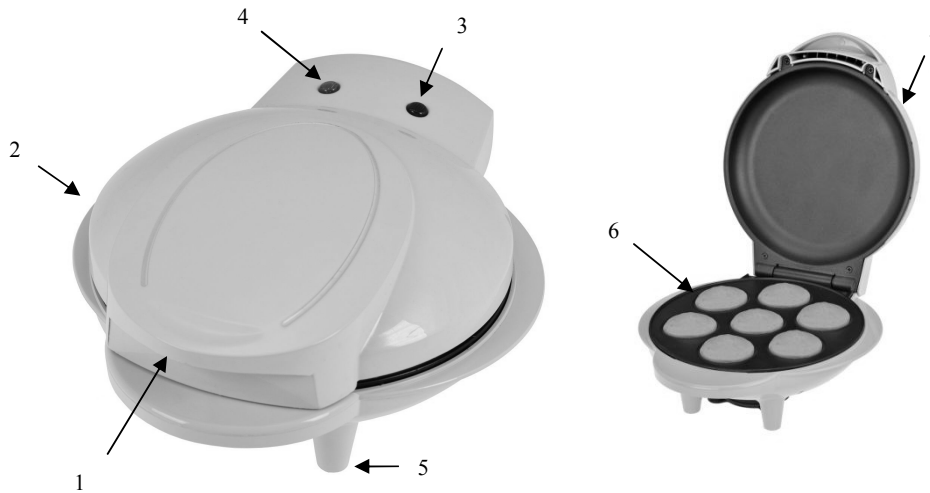
SHORT CORD INSTRUCTIONS

A short power supply cord is provided to reduce the hazards resulting from becoming entangled in, or tripping over a longer cord.

Extension cords may be used if care is exercised in their use.

- The electrical rating of the extension cord should be at least that of the appliance. If the electrical rating of the extension cord is too low, it could overheat and burn.
- The resulting extended cord should be arranged so that it will not drape over the counter top or tabletop where it can be pulled on by children or tripped over.

PART DESCRIPTION



1. Front handle
2. Side handle
3. Power light
4. Temperature ready light
5. Non-skid feet
6. Lower baking plate
7. Upper baking plate



Fax +1 305 430 9280

Copies of the I/B. Please reproduce them without any changes except under special instruction from Team International USA. The pages must be reproduced and folded in order to obtain a booklet A5 (+/- 148.5 mm width x 210 mm height). When folding, make sure you keep the good numbering when you turn the pages of the I/B. Don't change the page numbering. Keep the language integrity. **Print only what is inside the frame.**



OPERATION

- On first use, the protective coating might burn off, causing smoking. This is NOT harmful and will disappear after a short time.
- When using for the first time, wipe the surface of the plates with a damp cloth, then dry. **DO NOT IMMERSE THE APPLIANCE IN WATER!**
- Position the appliance on a flat, heat-resistant, level surface.
- Close the appliance and plug into the electrical outlet. The red power light (3) will come on, to indicate that the appliance is switched on.
- The green temperature pilot light (4) will stay off, to indicate the appliance is warming up. When the green pilot light goes on, it means that the preset cooking temperature is reached and unit is ready for use.

Note: During use, this pilot light will come on and off regularly. This simply means that the thermostat is regulating the appliance's temperature.

Caution: During operation, the baking plates and the surfaces on the appliance get hot. The appliance might also generate steam. Pay attention not to get burned. Always use oven mitts for protection, when opening or closing the lid.

- Open the appliance, using the front handle (1) and an oven mitt. Avoid contact with the hot surfaces.
- Lightly brush the lower cooking plate (6) with butter, margarine, or cooking oil. For best results, use a cooking spray.
- Alternatively, insert cupcake liners (paper cupcake cups). This model accepts 1 ½" and 2" paper liners.
- Pour the batter evenly into the sections of the bottom plate (6), **not all the way to the edges (Do not overfill:** approximately 1 tablespoon per mini cupcake), and close the lid of the appliance.
- Bake until golden brown, or when the cupcakes are cooked throughout. Doneness can be measured by inserting a toothpick into the middle (it should come out clean and dry).
- When the cupcakes are ready, remove them with a plastic or wooden spatula, or inserting a plastic fork or a wooden stick from the sides of the cupcakes. Never use any sharp metallic objects, as this might damage the non-stick coating of the plates.



Fax +1 305 430 9280

Copies of the I/B. Please reproduce them without any changes except under special instruction from Team International USA. The pages must be reproduced and folded in order to obtain a booklet A5 (+/- 148.5 mm width x 210 mm height). When folding, make sure you keep the good numbering when you turn the pages of the I/B. Don't change the page numbering. Keep the language integrity. **Print only what is inside the frame.**



- Leave the cupcakes to cool on a plate or on a rack.
- When baking is finished, unplug the cord from the wall socket and leave the appliance open to cool.

Tips:

- Prepare all the ingredients and batter before starting to preheat the appliance.
- The cupcake maker does not necessarily need to be preheated for cupcakes. Just spoon the batter into the shapes and bake. However, it will work equally well if pre-heated. The cooking time will then be shorter.
- You can fill the sections easily using disposable pastry bags or sealable plastic food storage bags with their corner clipped.
- Actual cooking time may vary, depending on the ingredients and type of cupcakes; in general, count 6 to 8 minutes cooking time per batch. The more batches you do, the lower the cooking time.
- Different recipes may rise differently while cooking. Pre-test a new batter before starting full batches of cupcakes, in order to see the optimal level of batter needed to manage perfectly shaped cupcakes, but avoid overflows.
- Cupcakes are very fragile when hot. Be careful when removing, and allow them to stand at least 5 minutes on a rack before serving.
- Using liners (paper baking cups) will make it easier to remove and serve. If cooking brownie type mixes, you have to use liners as the cupcake will then be too fragile to remove, and they must cool in order to hold their shape. Liners will also increase the cooking time (by 1 to 2 minutes approximately). This model accepts 1 1/2" and 2" paper liners.
- Leave cupcake unfrosted if they need to be packed for lunch or travel.
- Use a small spatula or knife to spread the frosting, if desired, or use a decorating bag. Dipping a cupcake in a dark chocolate glaze will also give excellent results. Use sprinkles on frosted cupcakes whenever desired.
- Use your favorite cupcake batter recipe, or convenient pre-packaged mixes.



Fax +1 305 430 9280

Copies of the I/B. Please reproduce them without any changes except under special instruction from Team International USA. The pages must be reproduced and folded in order to obtain a booklet A5 (+/- 148.5 mm width x 210 mm height). When folding, make sure you keep the good numbering when you turn the pages of the I/B. Don't change the page numbering. Keep the language integrity. **Print only what is inside the frame.**



See below for cupcake recipes. Examples are many that you can find on the internet or in specialized cupcake books. Cake mixes are also a fast and convenient way to make a batter.

CUPCAKE RECIPES

Easy Vanilla Cupcakes

2 cup all-purpose flour
1 ½ cup sugar
3 teaspoon baking powder
½ tsp. salt
½ cup shortening (or butter)
1 cup milk (2%)
2 large eggs
1 ½ tsp. pure vanilla extract
Baking spray (like PAM)

For the icing:
5 Oz. softened butter
8 Oz. confectioner sugar
1 tsp. Vanilla extract
2 tsp. hot water

Instructions:

- In a bowl, combine the flour with the baking powder, salt, shortening or butter left at room temperature, milk and vanilla. Mix at low or medium speed for 2 minutes.
- Scrape and add the eggs. Mix at medium speed (for 1 minute) and then on high (for 1 minute) until smooth and well mixed
- Cook in the appliance after spraying the oil on the plates, as explained above in this user manual.
- Prepare the icing by beating together the butter and sugar with an electric beater.
- Once well combined, add the vanilla extract and water. Beat until creamy and smooth.



Fax +1 305 430 9280

Copies of the I/B. Please reproduce them without any changes except under special instruction from Team International USA. The pages must be reproduced and folded in order to obtain a booklet A5 (+/- 148.5 mm width x 210 mm height). When folding, make sure you keep the good numbering when you turn the pages of the I/B. Don't change the page numbering. Keep the language integrity. **Print only what is inside the frame.**



Red Velvet Cupcakes

2 1/2 cups of self-rising flour	2 sticks butter, softened
2 cups sugar	4 large eggs
1/2 cup powdered baking cocoa	1 cup buttermilk
1 teaspoon baking powder	1 1/2 teaspoon vanilla extract
1/4 teaspoon salt	1 teaspoon red food coloring
1 teaspoon baking soda	

Instructions:

- In a large bowl, blend cocoa, flour, baking powder, baking soda and salt.
- In a separate bowl, cream together the butter and sugar until light and fluffy.
- Beat the eggs and the buttermilk then add and mix thoroughly.
- Mix in the vanilla and the food coloring.

Lemon Meringue Cupcakes

2 1/2 cups self-rising flour	4 eggs
1 tablespoon baking powder	2 tablespoons of lemon zest, plus 2
1/2 teaspoon salt	tablespoons fresh lemon juice
1 cup softened butter	1 1/2 teaspoon pure vanilla extract
2 cups sugar	1 cup buttermilk

Instructions:

- In a large bowl cream the butter and sugar until pale and fluffy.
- Add eggs, one at a time. Beat in zest, vanilla and flour
- Add buttermilk and lemon juice, beat all ingredients together.

Banana Chocolate Chip Cupcakes

1 medium egg	1/4 cup of vegetable oil
1 1/2 cups of flour	3 teaspoons of baking powder
3/4 cup of milk	1/4 teaspoon of salt
1 cup of chocolate chips	1/2 teaspoon of cinnamon
1 cup of brown sugar	1/2 teaspoon of nutmeg
1/2 cup of puréed banana	

Instructions:

- In large bowl, mix egg, milk, banana, and oil.
- In small bowl mix together; flour, baking powder, salt, cinnamon, and nutmeg.
- Mix the dry ingredients into the egg mixture until just moistened, but still lumpy, Add in the chocolate chips.



Fax +1 305 430 9280

Copies of the I/B. Please reproduce them without any changes except under special instruction from Team International USA. The pages must be reproduced and folded in order to obtain a booklet A5 (+/- 148.5 mm width x 210 mm height). When folding, make sure you keep the good numbering when you turn the pages of the I/B. Don't change the page numbering. Keep the language integrity. **Print only what is inside the frame.**



Blueberry Muffins

1 1/2 cups of fresh blueberries
2 eggs
2 cups of flour
1 cup sugar
1/2 cup milk

1/4 cup butter
2 tsp. baking powder
1 tsp. vanilla extract
1/2 teaspoon salt

Instructions:

- In large bowl combine and mix butter, eggs, salt and sugar.
- In a separate bowl combine the baking powder and flour.
- Add butter mixture and milk, mix until just combined and still lumpy. Be careful not to over-mix.
- Add vanilla and mix all ingredients together, finally add in the blueberries.

Chocolate Cupcakes

1 stick butter
1 1/4 cup sugar
2 eggs
3/4 cup flour
1 teaspoon baking powder

1/4 teaspoon salt
1/2 cup unsweetened cocoa powder
1/2 cup milk
1 1/2 teaspoons vanilla extract

Instructions:

- Mix the butter with an electric mixer until it is soft, and then add the sugar. Beat about 3 minutes.
- Add the eggs, one at a time, beating until they are well combined.
- In a separate bowl, combine the dry ingredients and whisk them to incorporate them.
- Add the dry ingredients to the butter and sugar, and mix, just to combine.
- Add the liquids (milk & vanilla), combine all ingredients together.



Fax +1 305 430 9280

Copies of the I/B. Please reproduce them without any changes except under special instruction from Team International USA. The pages must be reproduced and folded in order to obtain a booklet A5 (+/- 148.5 mm width x 210 mm height). When folding, make sure you keep the good numbering when you turn the pages of the I/B. Don't change the page numbering. Keep the language integrity. **Print only what is inside the frame.**



Chocolate glaze frosting

1 1/2 cup of chocolate chips
2 tbsp. melted butter
1/2 tbsp. light corn syrup

Instructions:

- Cook chocolate chips and butter in microwave for 1 minute stir and microwave 30/60 sec. until melted; then stir in the corn syrup.

Cream cheese frosting

3 oz. of cream cheese
1/2 cup melted butter
2 1/4 cup powdered sugar
1 tsp. vanilla extract

Instructions:

- Beat together until smooth

CLEANING

- Before cleaning, unplug and wait for the appliance to cool down completely.
- Wipe the outside with only a slightly moistened cloth ensuring that no moisture, oil or grease enters the cooling slots.
- Wipe the inside and the edges of the plate with a paper towel or soft cloth.
- Do not clean the inside or outside with any abrasive scouring pad or steel wool as this will damage the finish.
- If there is any batter baked onto the plate, we advise using vegetable oil to soften it, and then waiting 5 minutes before removing it.
- **DO NOT IMMERSE THE APPLIANCE, POWER CORD, OR PLUG, IN WATER OR ANY OTHER LIQUID.**

Note: you can wrap the power cord around the base situated under the appliance, for storage, or if the cord is too long.



Fax +1 305 430 9280

Copies of the I/B. Please reproduce them without any changes except under special instruction from Team International USA. The pages must be reproduced and folded in order to obtain a booklet A5 (+/- 148.5 mm width x 210 mm height). When folding, make sure you keep the good numbering when you turn the pages of the I/B. Don't change the page numbering. Keep the language integrity. **Print only what is inside the frame.**



WARRANTY

We suggest that you complete and return the enclosed Product Registration Card promptly to facilitate verification of the date of original purchase. However, return of the Product Registration Card is not a condition of these warranties. You can also fill out this warranty card online, at the following address: www.KALORIK.com

This KALORIK product is warranted in the U.S.A. for 1 year from the date of purchase against defects in material and workmanship. This warranty is not transferable. Keep the original sales receipt. Proof of purchase is required to obtain warranty performance.

During this period, if the KALORIK product, upon inspection by KALORIK, is proven defective, it will be repaired or replaced, at Kalorik's option, without charge to the customer. If a replacement product is sent, it will carry the remaining warranty of the original product.

This warranty does not apply to any defect arising from a buyer's or user's misuse of the product, negligence, failure to follow KALORIK instructions noted in the user's manual, use on current or voltage other than that stamped on the product, wear and tear, alteration or repair not authorized by KALORIK, or use for commercial purposes. There is no warranty for glass parts, glass containers, filter basket, blades and agitators, and accessories in general. There is also no warranty for parts lost by the user.

ANY WARRANTY OF MERCHANTABILITY OR FITNESS WITH RESPECT TO THIS PRODUCT IS ALSO LIMITED TO THE ONE YEAR LIMITED WARRANTY PERIOD.

Some states do not allow limitation on how long an implied warranty lasts or do not allow the exclusion of incidental or consequential damages, so the above limitations may not apply to you. This warranty gives you specific legal rights, and you may also have other rights which vary from state to state.



Fax +1 305 430 9280

Copies of the I/B. Please reproduce them without any changes except under special instruction from Team International USA. The pages must be reproduced and folded in order to obtain a booklet A5 (+/- 148.5 mm width x 210 mm height). When folding, make sure you keep the good numbering when you turn the pages of the I/B. Don't change the page numbering. Keep the language integrity. **Print only what is inside the frame.**



If the appliance should become defective within the warranty period and more than 30 days after date of purchase, do not return the appliance to the store: often, our Customer Service Representatives can help solve the problem without having the product serviced. If servicing is needed, a Representative can confirm whether the product is under warranty and direct you to the nearest service location.

If this is the case, bring the product, or send it, postage prepaid by the user (all Kalorik customers are responsible for the initial shipment back to the warranty center), along **with proof of purchase** and indicating a **return authorization number** given by our Customer Service Representatives, to the authorized KALORIK Service Center (please visit our website at www.KALORIK.com or call our Customer Service Department for the address of our authorized KALORIK Service Center).

If you send the product, please include a letter explaining the nature of the claimed defect.

If you have additional questions, please call our Customer Service Department (please see below for complete contact information), Monday through Thursday from 9:00am - 5:00pm (EST) and Friday from 9:00am - 4:00pm (EST). Please note hours are subject to change.

If you would like to write, please send your letter to:

KALORIK Customer Service Department

Team International Group of America Inc.
1400 N.W 159th Street, Suite 102
Miami Gardens, FL 33169 USA

Or call:

Toll Free: +1 888-521-TEAM / +1 888-KALORIK

Only letters can be accepted at this address above. Shipments and packages that do not have a return authorization number will be refused.



Fax +1 305 430 9280

Copies of the I/B. Please reproduce them without any changes except under special instruction from Team International USA. The pages must be reproduced and folded in order to obtain a booklet A5 (+/- 148.5 mm width x 210 mm height). When folding, make sure you keep the good numbering when you turn the pages of the I/B. Don't change the page numbering. Keep the language integrity. **Print only what is inside the frame.**



(SP) MANUAL DE INSTRUCCIONES CONSEJOS DE SEGURIDAD

Cuando use algún aparato eléctrico siempre deben seguirse precauciones básicas de seguridad incluyendo las siguientes:

- 1. LEA TODAS LAS INSTRUCCIONES.**
2. Antes de utilizar el aparato, compruebe que el voltaje de la red eléctrica coincide con el indicado en la placa de datos técnicos del aparato.
3. No toque las superficies calientes. Utilice siempre las pegas.
4. Para protegerse contra una descarga eléctrica, no sumerja el aparato, el cable de alimentación o el enchufe en agua o en otros líquidos.
5. Manténgalo fuera del alcance de los niños y mascotas. Este producto no está destinado a ser utilizado por niños, personas con discapacidades físicas, sensoriales o mentales, o que carecen de experiencia o conocimiento, a menos que no sean supervisados o instruidos acerca del uso del producto, por una persona responsable de su seguridad. Cuando se utiliza este producto siempre es necesaria una precaución extrema.
6. Desconecte el aparato de la toma de corriente cuando la unidad no se encuentra en uso o antes de limpiarla. Deje enfriar el aparato antes de limpiarlo.
7. No opere este y ningún aparato si el cable o el enchufe están quemados o dañados, o después de que el aparato ha funcionado inadecuadamente o ha sido dañado en cualquier manera. El aparato debe ser remplazado por el fabricante o por un centro de servicio autorizado o por una persona similar calificada.
8. El uso de accesorios no recomendados por el fabricante pueden causar incendios, descargas eléctricas o lesiones.
9. No use en exteriores
10. No permita que el cable cuelgue del borde de la mesa o del mostrador o toque las partes calientes.
11. No coloque este aparato cerca de quemadores de gas o eléctricos, o dentro de un horno caliente.
12. Tenga mucho cuidado cuando desplace un aparato lleno de aceite caliente u otros líquidos calientes.



Fax +1 305 430 9280

Copies of the I/B. Please reproduce them without any changes except under special instruction from Team International USA. The pages must be reproduced and folded in order to obtain a booklet A5 (+/- 148.5 mm width x 210 mm height). When folding, make sure you keep the good numbering when you turn the pages of the I/B. Don't change the page numbering. Keep the language integrity. **Print only what is inside the frame.**



13. Enchufe siempre primero el cable al aparato y después en el enchufe de la red eléctrica. Para desconectar el aparato, desenchúfelo el aparato.
14. No use este aparato más que para lo que ha sido diseñado.
15. Asegúrese de que el espacio libre alrededor del aparato esté suficiente mientras esté en funcionamiento, a fin que el aire circule bien. En las superficies donde el calor pueda causar problemas, se recomienda usar un posa-fuentes aislante.
16. No deje el aparato sin vigilancia mientras esté en uso.
17. Siempre use el producto sobre una superficie limpia, plana, dura y seca. Nunca coloque materiales como por ejemplo un mantel o un plástico entre la unidad y la superficie. Puede ocurrir un incendio si el aparato está en funcionamiento y se encuentra en contacto o cubierto con materiales inflamables, incluyendo cortinas, tapicerías, paredes, etc.
18. Es indispensable guardar el aparato limpio, ya que está en contacto directo con los alimentos.
19. Procure no rallar el revestimiento anti-adherente de la placa de cocción, ya que en caso contrario podría encontrar partículas del revestimiento en la comida. Si es necesario raspar las placas, desenchufe el aparato y utilice sólo una espátula de madera o de plástico resistente al calor.
20. El aparato no es compatible para el uso de minutaría o dispositivo de control remoto.

GUARDE ESTAS INSTRUCCIONES SOLAMENTE PARA USO DOMESTICO

INFORMACIÓN SOBRE EL ENCHUFE POLARIZADO

El aparato está provistos con un enchufe polarizado (una pata es más ancha que la otra). Para reducir el riesgo de choque eléctrico, este enchufe calza en el tomacorriente polarizado de una sola manera. Si el enchufe no cabe totalmente en el tomacorriente, gire el enchufe. Si aun así no calza, consulte a un servicio técnico cualificado. **No intente anular esta característica de seguridad.**



Fax +1 305 430 9280

Copies of the I/B. Please reproduce them without any changes except under special instruction from Team International USA. The pages must be reproduced and folded in order to obtain a booklet A5 (+/- 148.5 mm width x 210 mm height). When folding, make sure you keep the good numbering when you turn the pages of the I/B. Don't change the page numbering. Keep the language integrity. **Print only what is inside the frame.**

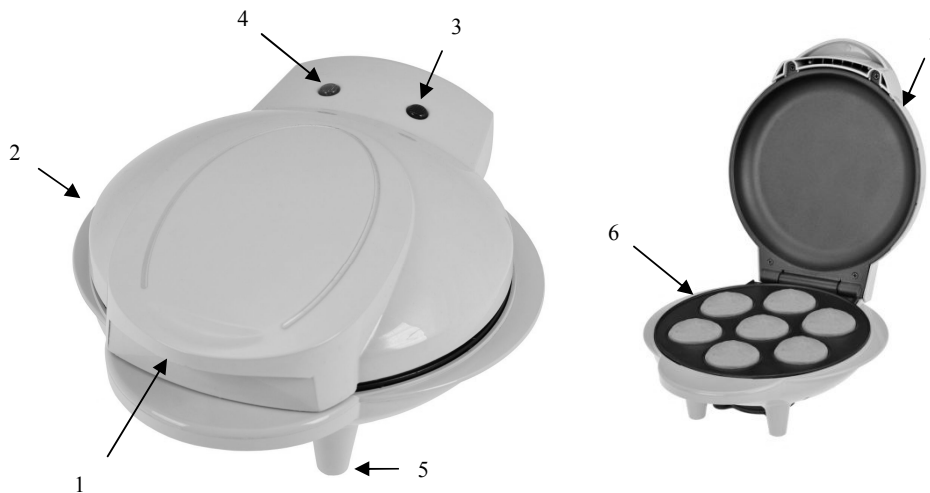


INSTRUCCIONES DEL CABLE

El cable de alimentación del aparato es un cable corto a fin de disminuir el riesgo de accidentes (caídas al tropezar con él, etc.) Puede utilizar una extensión si es necesaria.

- Asegúrese de que el nivel eléctrico del cable es igual o mayor que el indicado. Una extensión con un bajo nivel eléctrico conllevaría el riesgo de sobrecalentarse y de estropearse.
- Para evitar riesgos coloque el cable de forma tal que los niños no puedan jalarlo o tropezar con él.

PARTES



1. Asa frontal
2. Asa lateral
3. Luz de encendido
4. Luz de temperatura lista
5. Pata anti-deslizante
6. Plancha de hornear inferior
7. Plancha de hornear superior



Fax +1 305 430 9280

Copies of the I/B. Please reproduce them without any changes except under special instruction from Team International USA. The pages must be reproduced and folded in order to obtain a booklet A5 (+/- 148.5 mm width x 210 mm height). When folding, make sure you keep the good numbering when you turn the pages of the I/B. Don't change the page numbering. Keep the language integrity. **Print only what is inside the frame.**



MODO DE EMPLEO

- La primera vez que se enchufa, hace humo y huele. Esto es normal, puesto que en su fabricación se pueden haber adherido grasas que se estén quemando. No está peligroso y desaparecerá rápidamente.
- Cuando utilice el aparato por primera vez, páselo con un paño humedecido y séquelo. **NO SUMERJA EL APARATO EN EL AGUA!**
- Coloque el aparato en una superficie plana, resistente al calor.
- Cierre el aparato y enchufe la clavija a la red eléctrica. El testigo luminoso rojo (3) se encenderá indicando que el aparato está en funcionamiento.
- El testigo luminoso verde (4) esta apagado, indicando que el aparato está calentando. Cuando el testigo luminoso verde se enciende, indica que la temperatura previamente programada, de fábrica, está alcanzada.

Nota: Durante el funcionamiento ese testigo luminoso irá enciendo y apagándose regularmente. Ello indica sólo que el termostato está regulando la temperatura del aparato.

Atención: Durante la utilización, las placas y las superficies/caras del aparato se calientan. Puede también ocurrir que el aparato genere humo. Téngalo en cuenta para evitar quemaduras. Use guantes para horno a fin de protegerse cada vez que abra o cierre la tapa.

- Abra el aparato, utilizando la manija frontal y un guante para horno. Evite el contacto con las superficies calientes.
- Unte la placa de hornear inferior (6) con un poco de mantequilla, margarina o aceite. Para obtener los mejores resultados utilice aceite en aerosol.
- Como alternativa, coloque las cazoletas de papel de las magdalenas. Con este aparato puede utilizar cazoletas de papel de 1 ½" y 2".
- Vierta la masa uniformemente en los moldes de la placa inferior (6), **pero sin excederse en el llenado de los moldes** (aproximadamente 1 cucharada por mini magdalena), y cierre el aparato.
- Hornear hasta que alcancen un color dorado, o hasta que las magdalenas estén completamente cocidos. Se puede verificar



Fax +1 305 430 9280

Copies of the I/B. Please reproduce them without any changes except under special instruction from Team International USA. The pages must be reproduced and folded in order to obtain a booklet A5 (+/- 148.5 mm width x 210 mm height). When folding, make sure you keep the good numbering when you turn the pages of the I/B. Don't change the page numbering. Keep the language integrity. **Print only what is inside the frame.**



el grado de cocción introduciendo un escarbadiante en el centro (al extraerlo, el escarbadiante debe salir limpio y seco).

- Cuando las magdalenas estén cocidas, retírelas de la placa con una espátula de madera o plástico, o introduciendo un tenedor de plástico o un palillo de madera a los lados de las magdalenas. No utilice nunca objetos metálicos que podrían dañar el revestimiento antiadherente.
- Deje enfriar las magdalenas en una placa o colóquelos sobre rejilla.
- Al final de la cocción, desenchufe la clavija de la toma de corriente y deje el aparato abierto para que enfríe.

Consejos:

- Prepare todos los ingredientes y masa antes de pre-calentar el aparato.
- La maquina de hacer magdalenas no necesita precalentarse. Ponga una cucharada de la masa en cada cazoleta y comience. De todas formas, la maquina funcionará igual de bien si se precalienta, en este caso el tiempo de cocción será mas corto.
- Llene las secciones cuidadosamente utilizando mangas de repostería, o utilizando una bolsa de plástico para almacenamiento de comida, a la cual se le cortará uno de sus ángulos.
- El tiempo real de cocción puede variar, dependiendo de los ingredientes y del tipo de las magdalenas; en general, considere de 6 a 8 minutos de cocción por tanda.
- Una receta diferente puede leudar en forma diferente durante la cocción. Realice una prueba con una masa nueva antes de comenzar a llenar tandas de magdalenas, a fin de corroborar el nivel más óptimo de levadura necesario para que sus magdalenas tengan una forma perfecta, pero con cuidado de no excederse en el llenado.
- Las magdalenas son muy delicadas cuando están calientes. Tenga cuidado cuando las saque, y déjelas enfriar durante al menos, 5 minutos antes de servir las.
- Si usa cazoletas de papel es más fácil sacarlas y servir las. Y si prepara mezclas de brownies, debe usar cazoletas de papel ya



Fax +1 305 430 9280

Copies of the I/B. Please reproduce them without any changes except under special instruction from Team International USA. The pages must be reproduced and folded in order to obtain a booklet A5 (+/- 148.5 mm width x 210 mm height). When folding, make sure you keep the good numbering when you turn the pages of the I/B. Don't change the page numbering. Keep the language integrity. **Print only what is inside the frame.**



que los brownis son más frágiles de quitar y tienen que enfriarse para mantener su forma. Las cazoletas de papel aumentan el tiempo de cocción (entre 1 a 2 minutos aproximadamente). Ese modelo acepta cazoletas de papel de 1 1/2" a 2".

- Deje las magdalenas glaseadas si van a ser embaladas para el almuerzo o viaje.
- Utilice una pequeña espátula o un cuchillo para extender el glaseado, o use un paquete de decoración. Mojar la magdalena en chocolate también le dará excelentes resultados. Espolvoree o decore sus magdalenas como lo desee.
- Para hacer magdalenas use su receta favorita o los mezclados ya listos para cocción.

Vea a continuación recetas de magdalenas. Usted puede encontrar muchos ejemplos en Internet o en libros especializados en preparación de magdalenas. Las mezclas de tortas listas para hornear son asimismo un buen método para la preparación de la masa.

RECETAS DE MAGDALENAS

Magdalenas vainilla

2 tazas de harina
1 1/2 taza de azúcar
3 cucharaditas de levadura
1/2 cda. salt
1/2 taza de manteca (o mantequilla)
1 taza de leche (2%)
2 huevos grandes
1 1/2 cda. Extracto puro de vainilla
Aceite en aerosol (como PAM)

Para el glaseado:
5 Oz. de mantequilla derretida
8 Oz. Azúcar
1 cda. Extracto de vainilla
2 cda. De agua caliente

Instrucciones:

- En un recipiente, mezcle la harina con la levadura, la sal, la manteca o mantequilla dejada en temperatura ambiente, la leche y la vainilla. Mezcle todo a velocidad media durante 2 minutos.
- Quite la cáscara de los huevos y añádalos. Mezcle a velocidad media durante (1 minuto), y luego a velocidad alta (durante 1 minuto) hasta que la masa este suave y bien mezclada.
- Eche la mezcla en las cazoletas después de rociar el aceite en las placas como se ha explicado en el manual anteriormente.



Fax +1 305 430 9280

Copies of the I/B. Please reproduce them without any changes except under special instruction from Team International USA. The pages must be reproduced and folded in order to obtain a booklet A5 (+/- 148.5 mm width x 210 mm height). When folding, make sure you keep the good numbering when you turn the pages of the I/B. Don't change the page numbering. Keep the language integrity. **Print only what is inside the frame.**



- Prepare el glaseado batiendo la mantequilla y el azúcar con una batidora eléctrica.
- Una vez bien mezclados, añada el extracto de vainilla y el agua. Bata hasta que quede cremoso y suave.

Magdalenas Terciopelo Rojo

2 1/2 tazas / 160g de harina leudante
2 tazas / 400g de azúcar
1/2 taza / 60g de cacao en polvo para hornear
1 cucharadita de polvo de hornear
1/4 cucharadita de sal
1 cucharadita de bicarbonato de soda

2 barras / 220g de manteca, ablandada
4 huevos grandes
1 taza de leche de manteca
1 1/2 cucharadita de extracto de vainilla
1 cucharadita de colorante rojo para comida

Instrucciones:

- En un bol grande, mezcle el cacao, la harina, el polvo de hornear, el bicarbonato de soda y la sal.
- En un bol aparte, mezcle la manteca junto con el azúcar, batiendo hasta obtener una crema clara y esponjosa.
- Bata los huevos y la leche de manteca, y luego incorpore a lo anterior y mezcle cuidadosamente.
- Incorpore la vainilla y el colorante de comida. Mezcle.

Magdalenas con sabor Merengue de Limón

2 1/2 tazas / 160g de harina leudante
1 cucharada de polvo de hornear
1/2 cucharadita de sal
1 taza / 240g de manteca ablandada
2 tazas / 400g de azúcar
4 huevos

2 cucharadas de ralladura de limón, más 2 cucharadas de jugo de limón fresco.
1 1/2 cucharadita de extracto de vainilla puro
1 taza / 250ml de leche de manteca

Instrucciones:

- En un bol grande bata la manteca y el azúcar hasta obtener una crema pálida y esponjosa.
- Agregue los huevos, uno por uno. Incorpore y mezcle la ralladura de limón, la vainilla y la harina.
- Agregue la leche de manteca y el jugo de limón, y bata todos los ingredientes juntos.



Fax +1 305 430 9280

Copies of the I/B. Please reproduce them without any changes except under special instruction from Team International USA. The pages must be reproduced and folded in order to obtain a booklet A5 (+/- 148.5 mm width x 210 mm height). When folding, make sure you keep the good numbering when you turn the pages of the I/B. Don't change the page numbering. Keep the language integrity. **Print only what is inside the frame.**



Magdalenas con sabor Banana Chocolate

1 huevo mediano	½ taza de puré de banana
1 ½ taza / 180g de harina	¼ taza / 60ml de aceite vegetal
¾ taza / 180ml de leche	3 cucharaditas de polvo de hornear
1 taza / 220g de copitos de chocolate	¼ cucharadita de sal
1 taza / 180g de azúcar moreno	½ cucharadita de canela
	½ cucharadita de nuez moscada

Instrucciones:

- En un bol grande, mezcle el huevo, la leche, la banana, y el aceite.
- En un bol pequeño mezcle juntos la harina, el polvo de hornear, la sal, la canela y la nuez moscada.
- Incorpore los ingredientes secos a la mezcla del huevo hasta que dichos ingredientes comiencen a humedecerse, pero todavía estén grumosos. Agregue los copitos de chocolate.

Magdalenas de Arándanos

1 ½ taza de arándanos frescos	¼ taza de manteca
2 huevos	2 cucharaditas de polvo de hornear
2 tazas de harina	1 cucharadita de extracto de vainilla
1 taza de azúcar	½ cucharadita de sal
½ taza de leche	

Instrucciones:

- En un bol grande combine y mezcle la manteca, los huevos, la sal y el azúcar.
- En un bol aparte combine la harina y el polvo de hornear.
- Agregue a esto la mezcla de la manteca, y la leche, y mezcle hasta que los ingredientes se incorporen pero todavía estén grumosos. Tenga cuidado de no mezclar en exceso.
- Agregue la vainilla y mezcle todos los ingredientes juntos, y para finalizar agregue los arándanos.

Magdalenas de Chocolate

1 barra / 110g de manteca	½ taza / 60g de cacao en polvo amargo
1 ¼ taza / 150g de azúcar	½ taza / 125ml de leche
2 huevos	1 ½ cucharadita / 7ml de extracto de vainilla
¾ taza / 100g de harina	
3 cucharaditas de polvo de hornear	
¼ cucharadita de sal	



Fax +1 305 430 9280

Copies of the I/B. Please reproduce them without any changes except under special instruction from Team International USA. The pages must be reproduced and folded in order to obtain a booklet A5 (+/- 148.5 mm width x 210 mm height). When folding, make sure you keep the good numbering when you turn the pages of the I/B. Don't change the page numbering. Keep the language integrity. **Print only what is inside the frame.**



Instrucciones:

- Mezcle la manteca con un batidor eléctrico hasta que esté suave, y luego agregue el azúcar. Bata durante 3 minutos.
- Agregue los huevos, uno por uno, hasta que se hayan incorporado completamente.
- En un bol aparte, combine los ingredientes secos y únalos para incorporarlos a la otra mezcla.
- Agregue los ingredientes secos a la mezcla de manteca y azúcar, y mezcle hasta combinar toda la preparación.
- Agregue los líquidos (la leche y la vainilla), y combine todos los ingredientes juntos.

Baño glaseado de chocolate

1 1/2 taza / 300g de copitos de chocolate
2 cucharaditas / 30g de manteca derretida
1/2 cucharadita / 7ml de jarabe de maíz liviano [light]

Instrucciones:

- Cocine los copitos de chocolate y la manteca en el horno de micro-ondas durante 1 minuto, mezcle y continúe cocinando en micro-ondas durante 30/60 segundos hasta que se derrita; luego incorpore y mezcle con el jarabe de maíz.

Baño glaseado de queso-crema

3 oz. de queso-crema
1/2 taza de manteca derretida
2 1/4 tazas de azúcar impalpable
1 cucharadita de extracto de vainilla

Instrucciones:

Bata los ingredientes juntos hasta obtener una mezcla suave.



Fax +1 305 430 9280

Copies of the I/B. Please reproduce them without any changes except under special instruction from Team International USA. The pages must be reproduced and folded in order to obtain a booklet A5 (+/- 148.5 mm width x 210 mm height). When folding, make sure you keep the good numbering when you turn the pages of the I/B. Don't change the page numbering. Keep the language integrity. **Print only what is inside the frame.**



LIMPIEZA

- Desenchufe y deje enfriar el aparato antes de limpiarlo.
- Limpie el exterior del aparato con un paño ligeramente humedecido, asegurándose de que no haya humedad, aceite o grasa que se infiltre en las aeraciones que enfrían el aparato.
- Limpie el interior de su aparato con un papel absorbente o un trapo suave.
- No limpie nunca su aparato (exterior o interior) con productos abrasivos ya que estropearía el revestimiento.
- Si queda masa cocida en la placa, aconsejamos que utilice aceite vegetal para ablandarla y espere 5 minutos antes de quitarla.
- **NO SUMERJA EL APARATO EN AGUA NI EN NINGÚN OTRO LIQUIDO.**

Nota: usted puede enroscar el cable alrededor de los ganchos situados abajo del aparato para guardarlo, o en caso de que el cable sea demasiado largo.



Fax +1 305 430 9280

Copies of the I/B. Please reproduce them without any changes except under special instruction from Team International USA. The pages must be reproduced and folded in order to obtain a booklet A5 (+/- 148.5 mm width x 210 mm height). When folding, make sure you keep the good numbering when you turn the pages of the I/B. Don't change the page numbering. Keep the language integrity. **Print only what is inside the frame.**



GARANTÍA

Le sugerimos rellenen y nos envíen rápidamente la Tarjeta de Registro de Producto adjunta para facilitar la verificación de la fecha de compra. Por lo tanto, la devolución de esa Tarjeta de Registro de Producto no es una condición imprescindible para la aplicación de esa garantía. Puede también rellenar dicha tarjeta de garantía en línea en la dirección siguiente: www.KALORIK.com

A partir de la fecha de compra, este producto KALORIK está garantizado un año contra los defectos materiales y de fabricación, en los Estados Unidos. Esta garantía no es transferible. Conserve la prueba de compra original. Se exige una prueba de compra para obtener la aplicación de la garantía.

Durante este período, si el producto KALORIK después de una inspección por parte de KALORIK, se manifiesta defectuoso, será reparado o reemplazado, según lo que decida KALORIK, sin gastos para el consumidor. Si se envía un producto de reemplazo, se aplicará la garantía que queda del producto original.

Esta garantía no se aplica a los defectos causados por una mala utilización por parte del comprador o del usuario, o una negligencia al no respeto del manual de instrucciones KALORIK, o una utilización en un circuito eléctrico cuyo voltaje es diferente al que figura en el producto, o un desgaste normal, o modificaciones o reparaciones no autorizadas por KALORIK, o por un uso con fines comerciales. No existe garantía por las partes de cristal, jarras de cristal, filtros, cestos, cuchillas y accesorios en general. No existe tampoco garantía por las piezas perdidas por el usuario.

Toda garantía de valor comercial o de adaptabilidad a este producto está limitada a un año también.

Algunos estados no ponen límites a la duración de la garantía tácita o no autorizan la exclusión de daños y perjuicios accesorios o indirectos, por lo que puede que las restricciones anteriormente mencionadas no le sean aplicables a Usted. Esta garantía le otorga derechos legales particulares, pero usted puede tener también otros



Fax +1 305 430 9280

Copies of the I/B. Please reproduce them without any changes except under special instruction from Team International USA. The pages must be reproduced and folded in order to obtain a booklet A5 (+/- 148.5 mm width x 210 mm height). When folding, make sure you keep the good numbering when you turn the pages of the I/B. Don't change the page numbering. Keep the language integrity. **Print only what is inside the frame.**



derechos que varían de un estado a otro y algunos derechos pueden variar de un estado a otro.

Si el aparato tuviera un defecto durante el periodo de garantía y / o más de 30 días después de que se compró, no devuelva el aparato en la tienda donde le compró: a menudo, nuestro Servicio al Consumidor puede ayudar a resolver el problema sin que el producto tenga que ser reparado. Si hace falta una reparación, uno de nuestros representantes puede confirmar si el producto está bajo garantía y dirigirle al servicio post-venta más próximo.

Si fuera el caso, traiga el producto (o envíelo, correctamente franqueado) con la **prueba de compra** que mencione **el número de autorización de devolución** indicado por nuestro Servicio al Consumidor, al servicio post-venta KALORIK más próximo. (Visite nuestra web www.KALORIK.com o llame al Servicio al Consumidor para obtener la dirección del Servicio post-venta KALORIK exclusivo más próximo).

Si envía el producto, le rogamos añadan una carta explicando la naturaleza del defecto.

Si tiene preguntas adicionales, por favor llame al Servicio al Consumidor (véase abajo para los datos completos), de lunes a jueves, de las 9:00 a las 17:00 (EST), y el viernes de las 9:00 a las 16:00 (EST). Note que las horas pueden ser modificadas.

Si quiere escribirnos, puede hacerlo a la dirección siguiente:

KALORIK Servicio al Consumidor

Team International Group of America Inc.
1400 N.W 159th Street, Suite 102
Miami Gardens, FL 33169 USA

O llame gratuitamente (U.S.A.) al +1 888-521-TEAM / +1 888-KALORIK

Las cartas se aceptan solamente en la dirección anteriormente mencionada. Los envíos y paquetes que no tengan número de autorización de devolución serán rechazados.



Fax +1 305 430 9280

Copies of the I/B. Please reproduce them without any changes except under special instruction from Team International USA. The pages must be reproduced and folded in order to obtain a booklet A5 (+/- 148.5 mm width x 210 mm height). When folding, make sure you keep the good numbering when you turn the pages of the I/B. Don't change the page numbering. Keep the language integrity. **Print only what is inside the frame.**



(FR) MODE D'EMPLOI

CONSIGNES DE SECURITE

Pour utiliser un appareil électrique, des précautions élémentaires sont à respecter, telles que celles énumérées ci-dessous :

- 1. LISEZ L'ENSEMBLE DES INSTRUCTIONS.**
2. Avant d'utiliser l'appareil, vérifiez que la tension du réseau correspond bien à celle notée sur la plaque signalétique de votre appareil.
3. Ne touchez pas les surfaces chaudes. Manipulez les poignées et les boutons.
4. Pour écarter les risques d'électrocution, n'immergez pas le cordon, la fiche ou l'appareil dans l'eau ou dans tout autre liquide.
5. Gardez hors de portée des enfants et animaux domestiques. Cet appareil n'est pas conçu pour être utilisé par des enfants, ou des personnes aux facultés mentales ou motrices réduites, ou sans expérience, à moins que ceux-ci ne soient supervisés ou aient été formés à l'usage de ce produit, par une personne responsable de leur sécurité. Faites particulièrement attention en utilisant cet appareil.
6. Débranchez l'appareil de la prise murale lorsqu'il n'est pas utilisé ou avant de le nettoyer. Laissez l'appareil refroidir avant de le nettoyer.
7. Ne faites pas fonctionner l'appareil si son cordon ou sa fiche est endommagé ou si l'appareil a présenté un dysfonctionnement ou est endommagé. Retournez l'appareil au centre de service autorisé par le fabricant, pour le faire vérifier ou réparer.
8. L'utilisation d'accessoires non recommandés par le fabricant présente des risques d'incendie, d'électrocution ou de blessure.
9. N'utilisez pas l'appareil à l'extérieur.
10. Ne laissez pas le cordon pendre de la table ou d'un comptoir et évitez qu'il touche une surface chaude.
11. Ne placez pas l'appareil sur ou près d'un brûleur à gaz ou électrique ou dans un four chaud.
12. Soyez extrêmement prudent lorsque vous déplacez un appareil contenant de l'huile chaude ou d'autres liquides chauds.
13. Pour déconnecter l'appareil, débranchez-le de la prise murale.



Fax +1 305 430 9280

Copies of the I/B. Please reproduce them without any changes except under special instruction from Team International USA. The pages must be reproduced and folded in order to obtain a booklet A5 (+/- 148.5 mm width x 210 mm height). When folding, make sure you keep the good numbering when you turn the pages of the I/B. Don't change the page numbering. Keep the language integrity. **Print only what is inside the frame.**



14. N'utilisez pas cet appareil à des fins autres que celles pour lesquelles il est conçu.
15. Assurez-vous qu'il y ait assez d'espace libre autour de l'appareil lorsqu'il est en fonctionnement afin qu'il y ait suffisamment de circulation l'air. Si vous utilisez l'appareil sur une surface où la chaleur pose problème, il est conseillé de placer un support thermorésistant sous l'appareil.
16. Ne laissez pas l'appareil sans surveillance lorsqu'il est en fonctionnement.
17. Utilisez toujours l'appareil sur une surface propre, plane, dure et sèche. Assurez-vous qu'il n'y ait pas de matériaux tels qu'une nappe ou du plastique entre l'appareil et la surface sur laquelle il est posé. Veillez à ce que l'appareil ne rentre pas en contact avec des matériaux facilement inflammables comme les rideaux, les tissus,... lorsqu'il est en fonctionnement car le feu pourrait se déclarer.
18. Il est indispensable de garder cet appareil propre étant donné qu'il est en contact direct avec la nourriture.
19. Veillez à ne pas griffer le revêtement antiadhésif des plaques de cuisson. S'il est nécessaire de gratter les plaques, utilisez une spatule en bois, ou en plastique spécialement étudié pour résister à la chaleur.
20. Ne tentez pas de faire fonctionner cet appareil en utilisant un système de minuterie externe, ou de contrôle à distance

CONSERVEZ CES INSTRUCTIONS USAGE DOMESTIQUE UNIQUEMENT

INSTRUCTIONS POUR LES FICHES POLARISÉES

Cet appareil a une fiche polarisée (une des deux tiges métalliques est plus longue que l'autre). Pour réduire le risque de choc électrique, cette prise ne peut être introduite que d'une seule façon dans la fiche murale. Si cette prise ne rentre pas correctement dans la fiche, retournez-la. Si elle ne rentre toujours pas, contactez un électricien qualifié. **N'essayez jamais de modifier vous-même la prise polarisée.**



Fax +1 305 430 9280

Copies of the I/B. Please reproduce them without any changes except under special instruction from Team International USA. The pages must be reproduced and folded in order to obtain a booklet A5 (+/- 148.5 mm width x 210 mm height). When folding, make sure you keep the good numbering when you turn the pages of the I/B. Don't change the page numbering. Keep the language integrity. **Print only what is inside the frame.**

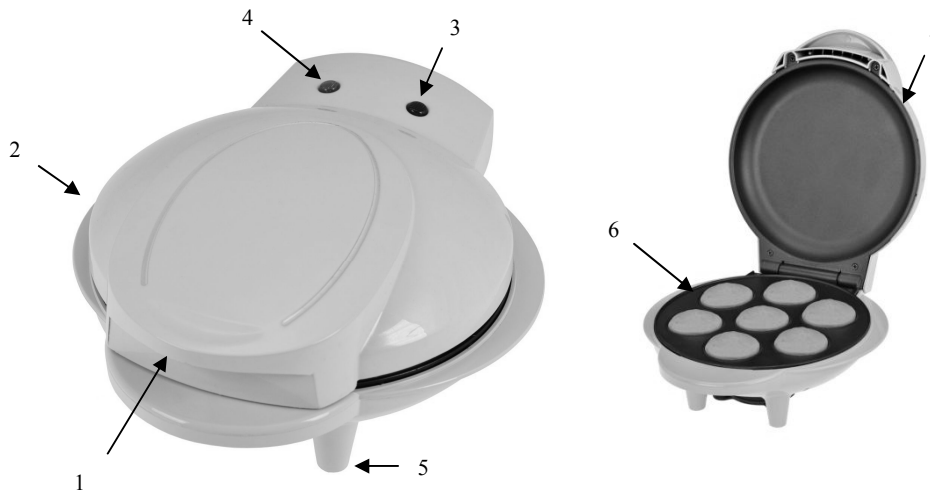


CONSIGNES CONCERNANT LE CORDON

Le cordon d'alimentation de l'appareil est un cordon de type court, et ce afin de diminuer les risques d'accidents (chute si vous marchez sur le cordon...). Vous pouvez toutefois utiliser une rallonge si nécessaire mais:

- Assurez-vous que l'ampérage de la rallonge soit égal ou supérieur à celui de l'appareil. Une rallonge avec un ampérage inférieur à celui de l'appareil risquerait de surchauffer et de brûler.
- La rallonge ne doit pas pendre du plan de travail ou de la table afin d'éviter que les enfants ne le tirent ou trébuchent.

DESCRIPTION



1. Poignée frontale
2. Poignées latérales
3. Témoin de mise sous tension
4. Témoin de température
5. Pieds antiglisse
6. Plaque de cuisson inférieure
7. Plaque de cuisson supérieure



Fax +1 305 430 9280

Copies of the I/B. Please reproduce them without any changes except under special instruction from Team International USA. The pages must be reproduced and folded in order to obtain a booklet A5 (+/- 148.5 mm width x 210 mm height). When folding, make sure you keep the good numbering when you turn the pages of the I/B. Don't change the page numbering. Keep the language integrity. **Print only what is inside the frame.**



UTILISATION

- Lors de la première utilisation la couche antiadhésive peut produire de la fumée. Celle-ci n'est pas nocive et s'estompera rapidement.
- Lorsque vous utilisez votre appareil pour la première fois, essuyez-les plaques de cuisson avec un chiffon humide, puis séchez-les. **N'IMMERGEZ PAS L'APPAREIL DANS L'EAU.**
- Placez l'appareil sur une surface plane et résistante à la chaleur.
- Fermez votre appareil et branchez la fiche de votre appareil dans la prise de courant. Le témoin lumineux rouge (3) s'allume, vous indiquant ainsi que l'appareil est sous tension.
- Le témoin lumineux vert (4) reste éteint, pour indiquer que l'appareil continue de préchauffer. Lorsque le témoin lumineux vert s'allume, cela signifie que la température de cuisson prédéterminée en usine est atteinte.

Note : Pendant l'utilisation, ce témoin lumineux s'éteindra et se rallumera régulièrement. Cela signifie simplement que le thermostat règle la température de l'appareil.

Attention : pendant l'utilisation, les plaques et les surfaces de l'appareil deviennent chaudes. L'appareil peut aussi générer de la vapeur. Faites attention de ne pas vous brûler. Utilisez toujours des gants de cuisine, pour ouvrir ou fermer le dessus de l'appareil.

- Ouvrez l'appareil, en utilisant la poignée située sur le devant de l'appareil (1) et des gants de cuisine. Evitez tout contact avec des surfaces chaudes.
- Enduisez légèrement la plaque de cuisson inférieure (6) de matière grasse (telle que du beurre, de la margarine ou toute autre graisse de cuisson). Pour des résultats optimaux, utilisez de l'huile de cuisson en vaporisateur.
- Alternativement, vous pouvez utiliser des papiers de cuisson spéciaux pour cupcake. Ce modèle accepte les papiers de cuisson 38mm et de 50mm (1 ½ pouces et 2 pouces)
- Déposez la pâte sur la plaque inférieure (6) de façon à ce qu'elle se répartisse équitablement dans toutes les formes (sans en mettre trop – environ une cuillère à soupe par forme -) puis fermer



Fax +1 305 430 9280

Copies of the I/B. Please reproduce them without any changes except under special instruction from Team International USA. The pages must be reproduced and folded in order to obtain a booklet A5 (+/- 148.5 mm width x 210 mm height). When folding, make sure you keep the good numbering when you turn the pages of the I/B. Don't change the page numbering. Keep the language integrity. **Print only what is inside the frame.**



le dessus de l'appareil. Ne mettez pas trop de pâte sinon celle-ci risque de déborder sur les côtés.

- Faites cuire jusqu'à l'obtention d'une couleur dorée, ou jusqu'à ce que les mini muffins soient cuits à cœur. La cuisson peut être contrôlée en insérant une pique en bois jusqu'au centre (elle doit ressortir propre et sèche).
- Quand les muffins sont cuits, retirez-les avec une spatule en plastique ou en bois, ou en insérant précautionneusement une fourchette en plastique ou une pique en bois sur le côté. N'utilisez pas d'objets métalliques sur les plaques car ceux-ci pourraient en abîmer le revêtement.
- Laissez les muffins refroidir dans une assiette ou sur une grille.
- Lorsque vous avez terminé d'utiliser l'appareil, débranchez-le et laissez-le ouvert afin que les plaques puissent refroidir.

Conseils pratiques :

- Préparez tous les ingrédients et la pâte avant de préchauffer l'appareil.
- L'appareil à muffins ne doit pas nécessairement être préchauffé. Mettez simplement la pâte dans les formes et lancez la cuisson. Cependant, l'appareil peut également être préchauffé; dans ce cas le temps de cuisson sera plus court.
- Remplissez les formes en utilisant une poche à douille, ou un sac refermable jetable dont vous aurez découpé un coin.
- Le temps de cuisson est variable, en fonction des ingrédients et du type de muffin; en général, comptez de 6 à 8 minutes de cuisson par fournée. Plus vous ferez de fournées, plus le temps de cuisson sera court.
- Des recettes de pâtes vont gonfler de façons différentes selon les cas, pendant la cuisson. Testez une nouvelle pâte avant de démarrer des fournées complètes, afin de déterminer le degré optimal de remplissage des formes, qui permettra d'obtenir des muffins bien formés, mais sans débordement.
- Les muffins sont très fragiles quand ils sont chauds. Faites attention en les retirant de l'appareil, et laissez-les refroidir au moins 5 minutes sur une grille avant de les servir.
- Il sera plus facile de démouler et de servir les muffins si vous utilisez de papiers de cuisson spécialement conçus pour les muffins. Si vous utilisez une pâte de type « brownie », les papiers de cuisson sont indispensables car sinon, les muffins seront trop fragiles pour



Fax +1 305 430 9280

Copies of the I/B. Please reproduce them without any changes except under special instruction from Team International USA. The pages must be reproduced and folded in order to obtain a booklet A5 (+/- 148.5 mm width x 210 mm height). When folding, make sure you keep the good numbering when you turn the pages of the I/B. Don't change the page numbering. Keep the language integrity. **Print only what is inside the frame.**



être démoulés, et doivent être mis à refroidir pour garder leur forme. Les papiers de cuisson augmentent le temps de cuisson de 1 à 2 minutes. Ce modèle accepte les papiers de cuisson d'environ 38mm ou 50mm (1 ½ ou 2 pouces).

- Ne mettez pas de garniture / décoration sur le muffin si celui-ci doit voyager ou doit être emballé.
- Utilisez une petite spatule ou le plat d'un couteau pour étaler la garniture / le glaçage, ou une petite poche à douilles pour la décoration alimentaire. Tremper les muffins dans un glaçage au chocolat noir peut également donner d'excellents résultats. Ajoutez de la décoration alimentaire (perles de sucres, vermicelles, etc.) si désiré.
- Voir ci-dessous pour des recettes de muffins. Il existe de nombreuses recettes que vous pouvez trouver sur internet ou dans des livres consacrés aux muffins (« Cupcakes »).

NETTOYAGE

- Veuillez retirer la fiche de la prise de courant et attendre que l'appareil et les plaques refroidissent totalement avant de les nettoyer.
- Essuyez l'intérieur et les angles de l'appareil à l'aide de papier absorbant ou d'un chiffon doux.
- Essuyez l'extérieur de l'appareil à l'aide d'un chiffon légèrement humide, en vous assurant que l'humidité, l'huile ou la graisse ne s'infiltre pas dans les aérations de refroidissement de l'appareil.
- Ne nettoyez jamais votre appareil (extérieur et intérieur) à l'aide de produits ou matières abrasifs car cela abîmerait le revêtement.
- Si de la pâte brûlée est difficile à enlever sur les plaques, il est conseillé de verser un peu d'huile végétale dessus et d'attendre 5 minutes avant de l'enlever.
- **N'IMMERGEZ PAS L'APPAREIL, LE CORDON OU LA FICHE, DANS L'EAU OU TOUT AUTRE LIQUIDE.**

Note : vous pouvez enrouler le cordon d'alimentation autour de la partie inférieure sous l'appareil, pour le rangement ou si le cordon est trop long.



Fax +1 305 430 9280

Copies of the I/B. Please reproduce them without any changes except under special instruction from Team International USA. The pages must be reproduced and folded in order to obtain a booklet A5 (+/- 148.5 mm width x 210 mm height). When folding, make sure you keep the good numbering when you turn the pages of the I/B. Don't change the page numbering. Keep the language integrity. **Print only what is inside the frame.**



RECETTES DE MUFFINS

Muffins à la Vanille

250g de farine	1 pincée de sel
200g de sucre	110g de margarine or de beurre
3 cuillerées à café de poudre à lever	230ml de lait demi-écrémé (2%)
2 œufs larges	
7 ml d'extrait de vanille	

Pour le glaçage :
125g de beurre ramolli (à température ambiante)
225g de sucre glace
5ml d'extrait de vanille
10ml d'eau chaude

Instructions :

- Dans un bol, mélangez la farine avec la poudre à lever, le sel, la margarine ou le beurre laissé à température ambiante, le lait et la vanille. Battez à vitesse basse ou moyenne pendant 2 minutes.
- Grattez les bords et ajoutez les œufs. Mélangez à vitesse moyenne pendant 1 minute, puis sur un vitesse rapide pendant une autre minute.
- Faites cuire dans l'appareil, après avoir graissé les plaques de cuisson, comme expliqué plus haut.
- Préparez le glaçage et battant ensemble le beurre et le sucre, en utilisant un batteur électrique.
- Une fois l'ensemble bien mélangé, ajoutez l'extrait de vanille et l'eau. Battez jusqu'à l'obtention d'un mélange crémeux et lisse.

Muffins « Velours rouge »

160g de farine auto-levante	250ml de babeurre (Lait fermenté)
400g de sucre	4 œufs
60g de poudre de cacao	1 cuillerée à café de colorant alimentaire rouge
1 cuillerée à café de poudre à lever	1 1/2 cuillère à café d'extrait de vanille
1 pincée de sel	
220g de beurre	
1 cuillerée à café de bicarbonate de soude	

Instructions :

- Dans un grand bol, mélangez le cacao, la farine, la poudre à lever, le bicarbonate de soude et le sel.



Fax +1 305 430 9280

Copies of the I/B. Please reproduce them without any changes except under special instruction from Team International USA. The pages must be reproduced and folded in order to obtain a booklet A5 (+/- 148.5 mm width x 210 mm height). When folding, make sure you keep the good numbering when you turn the pages of the I/B. Don't change the page numbering. Keep the language integrity. **Print only what is inside the frame.**



- Dans un autre bol, mélangez le beurre et le sucre jusqu'à l'obtention d'une pâte crémeuse, légère et aérée.
- Battez les œufs et le babeurre (Lait fermenté ou « Buttermilk ») puis ajouter tous les ingrédients et battez le tout jusqu'à l'obtention d'une pâte homogène.
- Incorporez l'extrait de vanille et le colorant alimentaire et finissez de battre.

Muffins Meringués au Citron

160g de farine auto-levante	2 cuillerées à soupe de zeste de citron
1 cuillerée à café de poudre à lever	2 cuillerées à soupe de jus de citron
400g de sucre	1 1/2 cuillerée à café d'extrait de vanille
1 pincée de sel	250ml de babeurre (Lait fermenté)
240g de beurre ramolli	
4 œufs	

Instructions :

- Dans un grand bol, mélangez le beurre et le sucre jusqu'à l'obtention d'une pâte crémeuse, et pale.
- Ajoutez les œufs, un par un. Avec un batteur, mélangez les zestes, la vanille et la farine.
- Incorporez le babeurre et le jus de citron, mélangez intimement.

Muffins à la Banane et Pépites de Chocolat

1 œuf moyen	3 cuillerée à café de poudre à lever
180g de farine	1 pincée de sel
180ml de lait	1/2 cuillerée à café de cannelle moulue
220g de pépites de chocolat	1/2 cuillerée à café de noix de muscade râpée
180g de sucre brun	
1 banane réduite en purée	
60ml d'huile végétale	

Instructions :

- Dans un grand bol, mélangez les œufs, le lait, la banane et l'huile.
- Dans un petit bol, mélangez la farine, la poudre à lever, le sel et les épices.
- Incorporez grossièrement les ingrédients secs dans le mélange d'œuf, Ajoutez les pépites de chocolat.



Fax +1 305 430 9280

Copies of the I/B. Please reproduce them without any changes except under special instruction from Team International USA. The pages must be reproduced and folded in order to obtain a booklet A5 (+/- 148.5 mm width x 210 mm height). When folding, make sure you keep the good numbering when you turn the pages of the I/B. Don't change the page numbering. Keep the language integrity. **Print only what is inside the frame.**



Muffins au Chocolat

110g de beurre
150g de sucre
2 œufs
100g de farine

3 cuillerées à café de poudre à lever
1 pincée de sel
60g de poudre de cacao
125ml de lait
7ml d'extrait de vanille

Instructions :

- Battez le beurre avec un fouet électrique jusqu'à ce qu'il soit mou, puis ajoutez le sucre. Battez intimement pendant 3 minutes.
- Ajoutez les œufs, un par un, jusqu'à ce qu'ils soient parfaitement incorporés.
- Dans un autre bol, mélangez les ingrédients secs au fouet.
- Ajoutez les ingrédients secs au beurre et au sucre, et incorporez-les.
- Ajoutez ensuite les liquides (lait et vanille), jusqu'à l'incorporation complète.

Glaçage au Chocolat

300g de chocolat à fondre (ou pépites de chocolat)
30g de beurre fondu
7ml de miel ou sirop d'érable (ou sirop de maïs léger)

Instructions:

- Faites fondre le chocolat et le beurre au four à micro-onde pendant 1 minute, remuez, puis remettez au four à micro-onde pendant 30s / 1 minute. Incorporez le sirop dans le chocolat fondu.



Fax +1 305 430 9280

Copies of the I/B. Please reproduce them without any changes except under special instruction from Team International USA. The pages must be reproduced and folded in order to obtain a booklet A5 (+/- 148.5 mm width x 210 mm height). When folding, make sure you keep the good numbering when you turn the pages of the I/B. Don't change the page numbering. Keep the language integrity. **Print only what is inside the frame.**



GARANTIE

Nous vous suggérons de remplir et de nous renvoyer rapidement la Carte d'Enregistrement Produit ci-jointe afin de faciliter la vérification de la date d'achat. Cependant, le renvoi de la Carte d'Enregistrement Produit n'est pas une condition indispensable à l'application de la présente garantie. Vous pouvez aussi remplir cette carte de garantie en ligne à l'adresse suivante : **www.KALORIK.com**.

A compter de la date d'achat, ce produit KALORIK est garanti un an, sur le territoire des Etats-Unis, contre les défauts matériels et de fabrication. Cette garantie n'est pas transférable. Conservez la preuve d'achat originelle. Une preuve d'achat est exigée pour obtenir l'application de la garantie.

Durant cette période, le produit KALORIK qui, après inspection par KALORIK, s'avère défectueux, sera réparé ou remplacé, au choix de KALORIK, sans frais pour le consommateur. Si un produit de remplacement est envoyé, c'est la garantie restante du produit originel qui s'appliquera.

La présente garantie ne s'applique pas aux défauts dus à une mauvaise utilisation de la part de l'acheteur ou de l'utilisateur, à une négligence, au non-respect des consignes du manuel d'utilisation KALORIK, à une utilisation sur un circuit électrique au voltage différent de celui renseigné sur le produit, à une usure normale, à des modifications ou réparations non autorisées par KALORIK, ou par un usage à des fins commerciales. Il n'existe pas de garantie pour les parties en verre, récipients en verre, filtres, paniers, lames et accessoires en général. Il n'existe également pas de garantie pour les pièces perdues par l'utilisateur.

Toute garantie de valeur commerciale ou d'adaptabilité à ce produit est également limitée à la garantie d'un an.

Certains états ne limitent pas la longueur de la garantie tacite ou n'autorisent pas l'exclusion de dommages-intérêts accessoires ou indirects, les restrictions ci-dessus peuvent donc ne pas s'appliquer à



Fax +1 305 430 9280

Copies of the I/B. Please reproduce them without any changes except under special instruction from Team International USA. The pages must be reproduced and folded in order to obtain a booklet A5 (+/- 148.5 mm width x 210 mm height). When folding, make sure you keep the good numbering when you turn the pages of the I/B. Don't change the page numbering. Keep the language integrity. **Print only what is inside the frame.**



vous. Cette garantie vous donne des droits légaux particuliers, et certains droits peuvent varier d'un état à l'autre.

Si l'appareil devait présenter un défaut durant la période de garantie et plus de 30 jours après l'achat, ne ramenez pas l'appareil au magasin : souvent, notre Service Clientèle peut aider à résoudre le problème sans que le produit ne doive être réparé. Si une réparation est nécessaire, un représentant peut confirmer si le produit est sous garantie et vous rediriger vers notre centre de réparation.

Le cas échéant, ramenez le produit (ou envoyez-le, dûment affranchi), ainsi qu'**une preuve d'achat**, en mentionnant **le numéro d'autorisation de retour**, indiqué par notre service clientèle, au service après-vente KALORIK agréé (visitez notre site internet **www.KALORIK.com** ou appelez notre département Service Clientèle pour obtenir l'adresse du service après-vente KALORIK agréé).

Si vous envoyez le produit, veuillez y joindre une lettre expliquant la nature du défaut.

Si vous avez des questions complémentaires, veuillez appeler notre département Service Clientèle (voyez plus bas pour les coordonnées complètes), du Lundi au Jeudi de 9h à 17h (EST) et le Vendredi de 9h à 16h (EST). Veuillez noter que les heures sont sujettes à modification.

Si vous souhaitez nous écrire, adressez votre courrier à:

KALORIK Customer Service Department

Team International Group of America Inc.
1400 N.W 159th Street, Suite 102
Miami Gardens, FL 33169 USA

Ou appelez (Gratuitement des Etats-Unis): +1 888-521-TEAM ou +1 888-KALORIK.

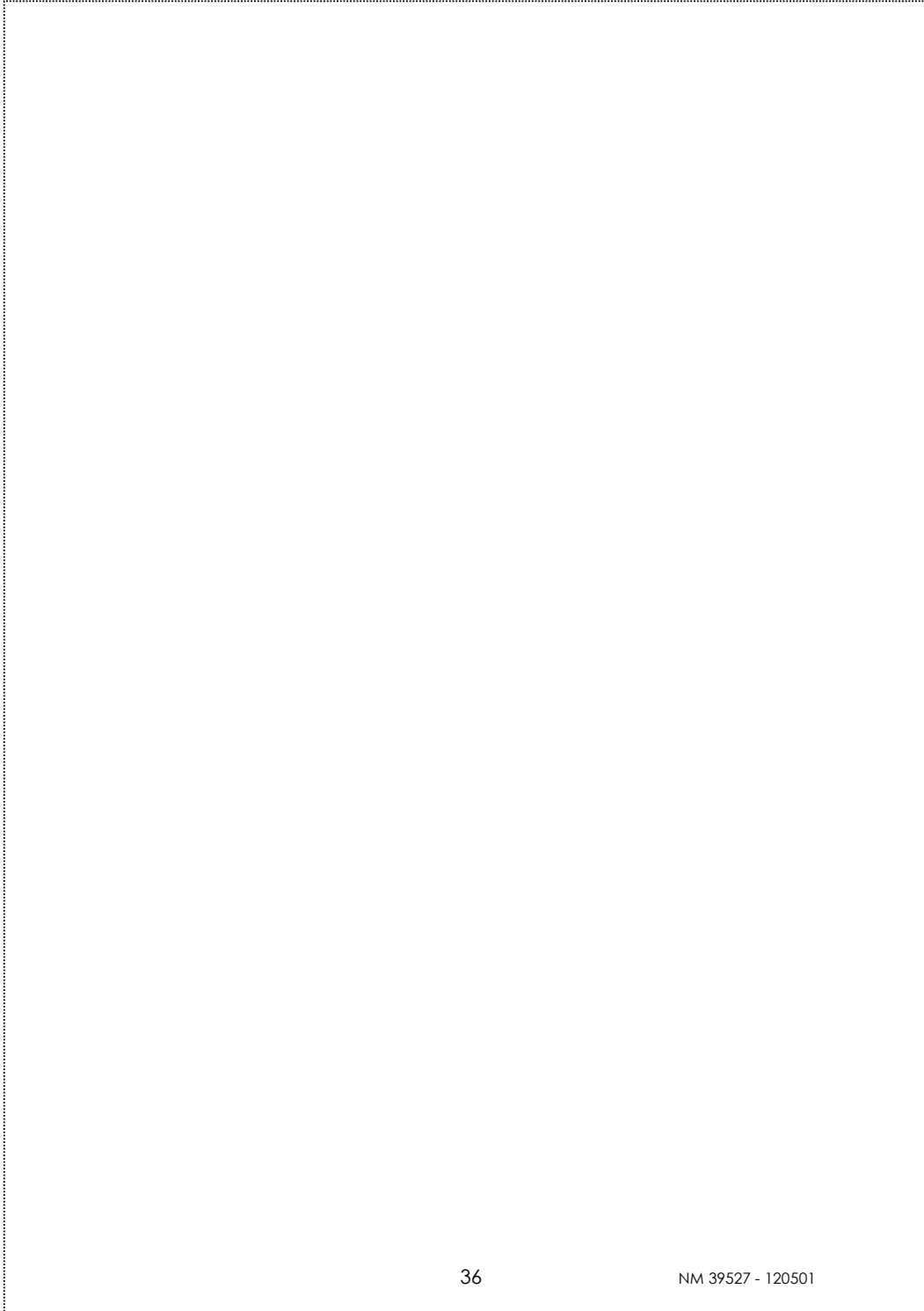
Seules les lettres seront acceptées à l'adresse ci-dessus. Les envois et colis n'ayant pas de numéro d'autorisation de retour seront refusés.





Fax +1 305 430 9280

Copies of the I/B. Please reproduce them without any changes except under special instruction from Team International USA. The pages must be reproduced and folded in order to obtain a booklet A5 (+/- 148.5 mm width x 210 mm height). When folding, make sure you keep the good numbering when you turn the pages of the I/B. Don't change the page numbering. Keep the language integrity. **Print only what is inside the frame.**



Free Manuals Download Website

<http://myh66.com>

<http://usermanuals.us>

<http://www.somanuals.com>

<http://www.4manuals.cc>

<http://www.manual-lib.com>

<http://www.404manual.com>

<http://www.luxmanual.com>

<http://aubethermostatmanual.com>

Golf course search by state

<http://golfingnear.com>

Email search by domain

<http://emailbydomain.com>

Auto manuals search

<http://auto.somanuals.com>

TV manuals search

<http://tv.somanuals.com>