



Fax +32 2 359 95 50

Copies of the I/B. Please reproduce them without any changes except under special instruction from Team International BELGIUM. The pages must be reproduced and folded in order to obtain a booklet A5 (+/- 148.5 mm width x 210 mm height). When folding, make sure you keep the good numbering when you turn the pages of the I/B. Don't change the page numbering. Keep the language integrity. **Print only what is inside the frame.**



Front cover page (first page)

Assembly page 1/16



Fax +32 2 359 95 50

Copies of the I/B. Please reproduce them without any changes except under special instruction from Team International BELGIUM. The pages must be reproduced and folded in order to obtain a booklet A5 (+/- 148.5 mm width x 210 mm height). When folding, make sure you keep the good numbering when you turn the pages of the I/B. Don't change the page numbering. Keep the language integrity. **Print only what is inside the frame.**



(EN) OPERATING INSTRUCTIONS

IMPORTANT SAFEGUARDS

When using your appliance, basic safety precautions should always be followed, including the following.

- 1. Read all instructions prior to using**
2. Do not use outdoors or charge outdoors. For normal domestic household use only.
3. For indoor use only. Do not expose the electric wine bottle opener or charging unit to rain or other extreme conditions.
4. Do not allow this item to be used as a toy. Close attention is necessary when used by or near children
5. Do not use the electric wine bottle opener for other than intended use.
6. Do not use with damaged cord or plug. Do not use wine opener if it has been dropped, damaged, left outdoors, or dropped in water. Return it to service center for examination, repair or adjustment.
7. Never force the electric wine bottle opener onto a bottle or attempt to speed up the mechanism. The electric wine bottle opener will work best when it is operated at its intended speed.
8. Do not attempt to open the electric wine bottle opener or the recharging base. It has no serviceable parts. Charge the electric wine bottle opener only by using the recharging base and power cord supplied.
9. Do not attempt to open bottles if the switch is not working correctly.
10. Do not touch or adjust the electric wine opener's mechanism or the corkscrew spiral. Hold the electric wine opener by its housing only.
11. To protect against risk of electrical shock, do not put the electric wine opener in water or other liquid. This may cause personal injury and/or damage to the product.
12. Use of attachments not recommended or sold by this wine opener manufacturer may cause fire, electrical shock, injury or damage to the product.
13. Never remove the plug from the socket by pulling the power cord.



Fax +32 2 359 95 50

Copies of the I/B. Please reproduce them without any changes except under special instruction from Team International BELGIUM. The pages must be reproduced and folded in order to obtain a booklet A5 (+/- 148.5 mm width x 210 mm height). When folding, make sure you keep the good numbering when you turn the pages of the I/B. Don't change the page numbering. Keep the language integrity. **Print only what is inside the frame.**



14. To protect against fire, do not operate the unit in the presence of explosive and/or flammable fumes.
15. Do not abuse the charger cord. Never carry the charger or base by the cord or yank to disconnect from an outlet; instead grasp the charger and pull the plug out from the charger to disconnect. Then remove adapter from the wall outlet.
16. Keep charger cord away from heated surfaces.
17. Do not handle plug or appliance with wet hands.
18. Don't use abrasive materials to clean the wine opener. Do not immerse the unit in water or any other liquid.
19. Read and follow all operational instructions.
20. Do not use charger with an extension cord. Plug charger directly into an electrical outlet. Use charger only in a standard (120V Volt, 60 Hz) electrical outlet

CAUTION: Corkscrew is sharp. Handle carefully. Keep hands and utensils out of the unit while operating to prevent the possibility of severe personal injury and/or damage to the product or property

SAVE THESE INSTRUCTIONS HOUSEHOLD USE ONLY

SAFETY WARNING



Although your appliance is easy to operate, for your safety, the warnings below must be followed:

1. Do not place the appliance near a heat source.
2. Use the appliance on a stable surface.
3. Do not unplug the adapter by pulling on the supply cord.
4. The appliance must be unplugged:
 - Before any cleaning or maintenance
 - If it appears to be faulty



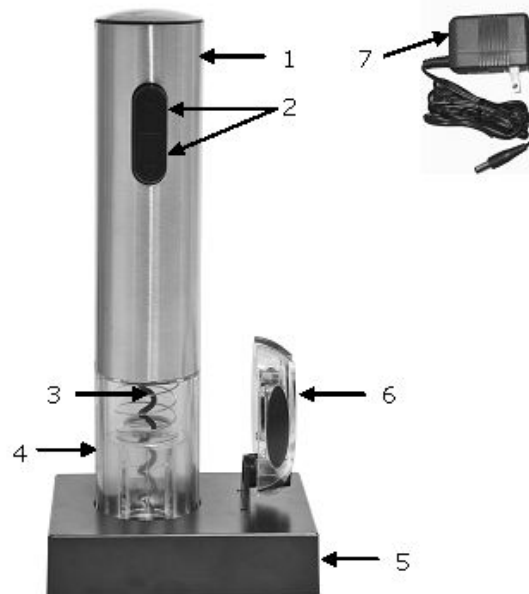
Fax +32 2 359 95 50

Copies of the I/B. Please reproduce them without any changes except under special instruction from Team International BELGIUM. The pages must be reproduced and folded in order to obtain a booklet A5 (+/- 148.5 mm width x 210 mm height). When folding, make sure you keep the good numbering when you turn the pages of the I/B. Don't change the page numbering. Keep the language integrity. **Print only what is inside the frame.**



PARTS

1. Stainless steel Handset
2. Power Up/Down Buttons
3. Corkscrew spiral
4. Blue lighted uncorking zone
5. Charging Base
6. Foil Cutter (storage on base)
7. Power Adapter



SPECIFICATIONS

Battery type	Ni-MH, rechargeable, AA size
Voltage	3.6V (3 batteries of 1.2V)
Adapter Input	120V AC 60 Hz 2.8W
Adapter Output	7.5V DC, 80mA
Charging Time	Approx. 6-8 Hours



Fax +32 2 359 95 50

Copies of the I/B. Please reproduce them without any changes except under special instruction from Team International BELGIUM. The pages must be reproduced and folded in order to obtain a booklet A5 (+/- 148.5 mm width x 210 mm height). When folding, make sure you keep the good numbering when you turn the pages of the I/B. Don't change the page numbering. Keep the language integrity. **Print only what is inside the frame.**



OPERATING INSTRUCTIONS

We recommend that you recharge your electric wine bottle opener for at least eight hours before using it for the first time. Please follow the instructions for recharging below:

Recharging Your Electric Wine Bottle Opener

- Plug one end of the adapter cord into the base of the recharging unit and the other end into a power outlet.
- Line up the white arrow at the base of the wine bottle opener with the white line on the charging base. Place the electric wine bottle opener into charging base ensuring that it is firmly in position and that it is fully engaged with the charging connector. Please note: the wine bottle opener will only fit into the charging base one way. The blue light will turn on when it is seated properly.
- It will take approximately 6-8 hours to recharge your electric wine opener fully.
- When fully charged your wine bottle opener can be used to open approximately 25 to 30 wine bottles in one single charge.
- To prolong the life of the wine bottle opener, disconnect the adapter after 8 hours.

Foil Cutter

- The foil cutter can be stored on the charging base.
- Before removing the cork you must remove any foil from the bottle.
- Attach the foil cutter to the top of the wine bottle.
- Keep one hand on the lower part of the bottle and turn the foil cutter in twisting motion to remove foil.
- Remove foil to expose cork surface.

To Operate Your Electric Wine Bottle Opener

1. Place the electric wine bottle opener on top of the wine bottle making sure that it remains as upright as possible at all times. If you hold the electric wine bottle opener at an angle to the bottle it will not remove the cork properly.



Fax +32 2 359 95 50

Copies of the I/B. Please reproduce them without any changes except under special instruction from Team International BELGIUM. The pages must be reproduced and folded in order to obtain a booklet A5 (+/- 148.5 mm width x 210 mm height). When folding, make sure you keep the good numbering when you turn the pages of the I/B. Don't change the page numbering. Keep the language integrity. **Print only what is inside the frame.**



2. Hold the electric wine bottle opener firmly and depress the down (or lower) button. The corkscrew spiral will turn in a counterclockwise direction, enter the cork, and gradually remove the cork from the bottle. When the wine bottle opener stops, the cork has been fully removed from the bottle.
3. Lift the wine bottle opener up and away from the bottle. To remove the cork, depress the up (or top) button. The spiral will turn in a clockwise direction and release the cork.
4. Always return the electric wine bottle opener to the charging base when finished. This will protect the mechanism while it is not in use.

CLEANING AND STORAGE

- Clean the exterior surface of the product by wiping it with a soft, damp cloth.
- Do not use any abrasive cleaners or solvents, as product damage will occur.
- Do not attempt to clean any inside surfaces of the wine bottle opener.
- Store the product in a clean, dry place when it is not in use.

Store the appliance in a dry location. Do not place any heavy items on top of appliance during storage as this may result in possible damage of appliance. Store the charging adaptor in a clean, dry location away from metal objects. Always check the plug before use to assure metal items have not become attached.

ENVIRONMENTAL PROTECTION

If the appliance should no longer work at all, please make sure that it is disposed of in an environmentally friendly way. Please do not put it with your household waste.



Fax +32 2 359 95 50

Copies of the I/B. Please reproduce them without any changes except under special instruction from Team International BELGIUM. The pages must be reproduced and folded in order to obtain a booklet A5 (+/- 148.5 mm width x 210 mm height). When folding, make sure you keep the good numbering when you turn the pages of the I/B. Don't change the page numbering. Keep the language integrity. **Print only what is inside the frame.**



WARRANTY

We suggest that you complete and return the enclosed Product Registration Card promptly to facilitate verification of the date of original purchase. However, return of the Product Registration Card is not a condition of these warranties. You can also fill this warranty card online, at the following address: www.KALORIK.com

This KALORIK product is warranted in the U.S.A. for 1 year from the date of purchase against defects in material and workmanship. This warranty is not transferable. Keep the original sales receipt. Proof of purchase is required to obtain warranty performance.

During this period, the KALORIK product that, upon inspection by KALORIK, is proved defective, will be repaired or replaced, at Kalorik's option, without charge to the customer. If a replacement product is sent, it will carry the remaining warranty of the original product.

This warranty does not apply to any defect arising from a buyer's or user's misuse of the product, negligence, failure to follow KALORIK instructions noted in the user's manual, use on current or voltage other than that stamped on the product, wear and tear, alteration or repair not authorized by KALORIK, or use for commercial purposes. There is no warranty for glass parts, glass containers, filter basket, blades and agitators, and accessories in general. There is also no warranty for parts lost by the user.

ANY WARRANTY OF MERCHANTABILITY OR FITNESS WITH RESPECT TO THIS PRODUCT IS ALSO LIMITED TO THE ONE YEAR LIMITED WARRANTY PERIOD.

Some states do not allow limitation on how long an implied warranty lasts or do not allow the exclusion of incidental or consequential damages, so the above limitations may not apply to you. This warranty gives you specific legal rights, and you may also have other rights which vary from state to state.



Fax +32 2 359 95 50

Copies of the I/B. Please reproduce them without any changes except under special instruction from Team International BELGIUM. The pages must be reproduced and folded in order to obtain a booklet A5 (+/- 148.5 mm width x 210 mm height). When folding, make sure you keep the good numbering when you turn the pages of the I/B. Don't change the page numbering. Keep the language integrity. **Print only what is inside the frame.**



If the appliance should become defective within the warranty period and more than 30 days after date of purchase, do not return the appliance to the store: often, our Consumer Service Representatives can help solve the problem without having the product serviced. If servicing is needed, a Representative can confirm whether the product is under warranty and direct you to the nearest service location.

If this is the case, bring the product, or send it, postage prepaid by the user (all Kalorik customers are responsible for the initial shipment back to the warranty center), along **with proof of purchase** and indicating a **return authorization number** given by our Consumer Service Representatives, to the authorized KALORIK Service Center (please visit our website at www.KALORIK.com or call our Customer Service Department for the address of our authorized KALORIK Service Center).

If you send the product, please include a letter explaining the nature of the claimed defect.

If you have additional questions, please call our Consumer Service Department (please see below for complete contact information), Monday through Friday from 9:00am - 6:00pm (EST). Please note hours are subject to change.

If you would like to write, please send your letter to:

KALORIK Consumer Service Department
Team International Group of America Inc.
1400 N.W 159th Street, Suite 102
Miami Gardens, FL 33169 USA

Or call:

Toll Free: +1 888-521-TEAM / +1 888-KALORIK

Only letters can be accepted at this address above. Shipments and packages that do not have a return authorization number will be refused.



Fax +32 2 359 95 50

Copies of the I/B. Please reproduce them without any changes except under special instruction from Team International BELGIUM. The pages must be reproduced and folded in order to obtain a booklet A5 (+/- 148.5 mm width x 210 mm height). When folding, make sure you keep the good numbering when you turn the pages of the I/B. Don't change the page numbering. Keep the language integrity. **Print only what is inside the frame.**



(SP) MANUAL DE INSTRUCCIONES

CONSEJOS DE SEGURIDAD

Cuando use algún aparato eléctrico siempre deben seguirse precauciones básicas de seguridad incluyendo las siguientes:

- 1. LEA TODAS LAS INSTRUCCIONES.**
2. No utilice el aparato en exteriores y no cargue la unidad en exteriores.
3. Solamente para usar en interiores. No exponga el abridor eléctrico para botella de vino o su cargador a la lluvia o cualquier severa condición climática.
4. No permita que esta unidad sea usada como un juguete. Se requiere prestar mucha atención cuando la unidad sea usada por niños o cerca de ellos.
5. Utilice el abridor eléctrico para botella de vino solamente en la forma adecuada y para la finalidad con la que fue ideado.
6. No lo utilice si su cable o enchufe se encuentran dañados. No lo utilice si se ha caído, dañado, si ha sido dejado en el exterior, o si fue arrojado al agua. Devuélvalo a la agencia de servicio autorizada para su revisión, reparación y/ o ajuste.
7. Nunca fuerce el abridor eléctrico para botella de vino para introducirlo en una botella ni trate de aumentar la velocidad del mecanismo. La unidad trabajará en forma óptima cuando se la haga funcionar a la velocidad adecuada.
8. No trate de abrir la unidad o su cargador. Sus partes no pueden ser reparadas. Cargue el abridor eléctrico para botella de vino solamente con la base de carga y el cable provisto para la misma.
9. No trate de abrir botellas si el interruptor no funciona correctamente.
10. No toque ni ajuste el mecanismo del abridor eléctrico para botella de vino, ni tampoco su espiral saca-corcho. Sostenga el abridor eléctrico para botella de vino solamente por su carcasa.
11. Para evitar el riesgo de shock eléctrico, no introduzca el abridor eléctrico para botella de vino en agua ni en ningún otro líquido. Esto podría ocasionar daños personales y/o daños al producto.



Fax +32 2 359 95 50

Copies of the I/B. Please reproduce them without any changes except under special instruction from Team International BELGIUM. The pages must be reproduced and folded in order to obtain a booklet A5 (+/- 148.5 mm width x 210 mm height). When folding, make sure you keep the good numbering when you turn the pages of the I/B. Don't change the page numbering. Keep the language integrity. **Print only what is inside the frame.**



12. El uso de accesorios no recomendados para este producto vendidos por el fabricante del mismo pueden causar incendios, shock eléctrico, heridas, y/o daños al producto
13. Nunca desconecte la unidad del enchufe tirando del cable.
14. Para evitar riesgos de incendio, no haga funcionar la unidad en presencia de explosivos y/o vapores inflamables.
15. No maltrate el cable del cargador. Nunca arrastre el cargador o la base del mismo por su cable ni tire del cable para desconectarlo de un enchufe; en lugar de ello, tome el cargador y desconecte el cable del mismo. Luego desconecte el adaptador del toma-corriente.
16. Mantenga el cable del cargador lejos de superficies calientes.
17. No manipule el aparato o su enchufe con las manos húmedas.
18. No utilice materiales o productos abrasivos para limpiar el abridor eléctrico para botella de vino. No sumerja la unidad en agua ni en ningún otro líquido.
19. Lea todas las instrucciones de manejo y guíese por las mismas.
20. No utilice el cargador con ninguna extensión de cable. Conecte el cable directamente en un toma-corriente. Utilice el cargador solamente en un toma-corriente standard (120V Volt, 60 Hz)

CUIDADO: El saca-corcho es filoso. Manéjelo con cuidado. Mantenga sus manos y los utensilios fuera de la unidad durante su funcionamiento para evitar toda posibilidad de graves daños personales y/o daños al producto o propiedad.

GUARDE ESTAS INSTRUCCIONES PARA USO HOGAREÑO SOLAMENTE

ALERTAS DE SEGURIDAD



Aunque su aparato es de fácil manejo, usted deberá seguir las siguientes instrucciones para su seguridad:

1. No coloque el aparato cerca de una fuente de calor.
2. Utilice el aparato en una superficie estable.
3. No desconecte el adaptador tirando del cable.
4. La unidad deberá estar desconectada:
 - Antes de su limpieza y/o mantenimiento.
 - Si aparenta tener algún defecto.



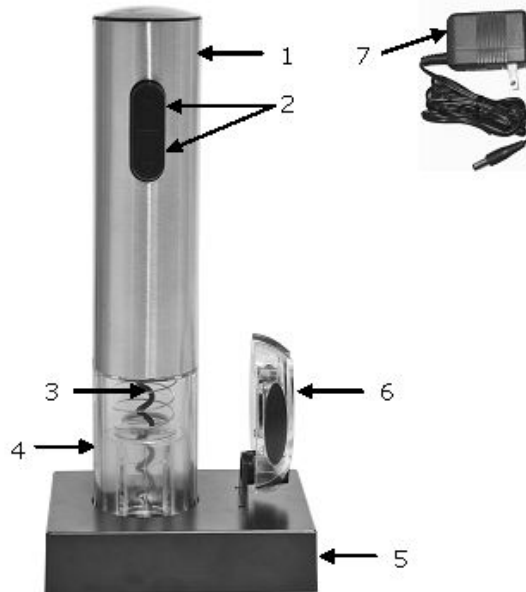
Fax +32 2 359 95 50

Copies of the I/B. Please reproduce them without any changes except under special instruction from Team International BELGIUM. The pages must be reproduced and folded in order to obtain a booklet A5 (+/- 148.5 mm width x 210 mm height). When folding, make sure you keep the good numbering when you turn the pages of the I/B. Don't change the page numbering. Keep the language integrity. **Print only what is inside the frame.**



PARTES

1. Mango de Acero Inoxidable
2. Botones de Encendido Arriba/Abajo
3. Espiral saca-corcho.
4. Zona de desencorchado con Luz Azul
5. Base de Carga
6. Cortador de Hoja de Aluminio (almacenado en la base)
7. Adaptador de Corriente



ESPECIFICACIONES

Tipo de Batería	Ni-MH, recargable, tipo AA
Voltaje	3.6V (3 baterías de 1.2V)
Adaptador de Entrada	120V AC 60 Hz 2.8W
Adaptador de Salida	7.5V DC, 80mA
Tiempo de Carga	Aprox. 6-8 Horas



Fax +32 2 359 95 50

Copies of the I/B. Please reproduce them without any changes except under special instruction from Team International BELGIUM. The pages must be reproduced and folded in order to obtain a booklet A5 (+/- 148.5 mm width x 210 mm height). When folding, make sure you keep the good numbering when you turn the pages of the I/B. Don't change the page numbering. Keep the language integrity. **Print only what is inside the frame.**



INSTRUCCIONES DE MANEJO

Le recomendamos que recargue su abridor eléctrico para botella de vino durante un mínimo de ocho (8) horas antes de utilizarlo por primera vez. Por favor, siga las instrucciones de re-carga que se dan a continuación:

Cómo recargar su abridor eléctrico para botella de vino

- Conecte un extremo del cable adaptador en la base de la unidad de recarga y el otro extremo en un toma corriente.
- Ubique la flecha blanca de la base del abridor eléctrico para botella de vino a la altura de la línea blanca de la base del cargador. Coloque el abridor eléctrico para botella de vino dentro del cargador asegurándose de que el abridor se encuentre firme en la posición adecuada y completamente ajustado en el conector de carga. Por favor, note que: el abridor eléctrico para botella de vino encajará en el cargador solamente de una forma. Una vez que el abridor esté correctamente ajustado, la luz azul se encenderá.
- El tiempo de recarga completa del abridor eléctrico para botella de vino será aproximadamente 6-8 horas.
- Una vez cargado en forma completa, su abridor eléctrico para botella de vino puede ser utilizado para abrir aproximadamente entre 25 y 30 botellas de vino, en una sola carga.
- Para prolongar la duración del abridor eléctrico para botella de vino desconecte el adaptador luego de 8 horas.

Cortador de Hoja de Aluminio

- El cortador de Hoja de Aluminio puede ser almacenado en la base de recarga.
- Antes de extraer el corcho usted debe remover cualquier hoja de aluminio de la botella.
- Coloque el cortador de hoja de aluminio en la parte superior de la botella de vino..
- Sostenga con su mano la botella por la parte inferior y haga girar el cortador de hoja de aluminio hasta remover la hoja de aluminio.
- Retire la hoja de aluminio para dejar el corcho descubierto.



Fax +32 2 359 95 50

Copies of the I/B. Please reproduce them without any changes except under special instruction from Team International BELGIUM. The pages must be reproduced and folded in order to obtain a booklet A5 (+/- 148.5 mm width x 210 mm height). When folding, make sure you keep the good numbering when you turn the pages of the I/B. Don't change the page numbering. Keep the language integrity. **Print only what is inside the frame.**



Cómo Poner en Funcionamiento su Abridor Eléctrico Para Botella de Vino

1. Coloque el abridor eléctrico para botella de vino asegurándose de que el mismo se mantenga todo el tiempo lo más vertical posible. Si usted mantiene el abridor eléctrico para botella de vino en posición de ángulo respecto de la botella, su abridor no extraerá el corcho en forma apropiada.
2. Sostenga el abridor firmemente y afloje el botón que indica "hacia abajo", o sea el botón inferior. El espiral saca-corcho girará en el sentido contrario a las agujas del reloj, penetrará en el corcho, y extraerá el corcho de la botella gradualmente. Cuando el abridor se detenga, el corcho habrá sido extraído completamente de la botella.
3. Levante el abridor de botella de vino y sáquelo de la botella. Para remover el corcho del abridor, afloje el botón que indica "arriba". El espiral girará en el sentido de las agujas del reloj y removerá el corcho.
4. Recuerde volver a colocar el abridor de botella de vino en la base de recarga después de haberlo usado. Esto protegerá el mecanismo mientras la unidad no se utilice.

LIMPIEZA Y ALMACENAMIENTO

- Limpie la superficie exterior del producto con la ayuda de un trapo suave humedecido.
- No utilice ningún producto de limpieza abrasivo o solvente, ya que esto podría ocasionar daños al aparato.
- No intente limpiar ninguna de las superficies/caras interiores del abridor de botella de vino.
- Almacene el producto en un lugar limpio y seco cuando no esté siendo utilizado.

Almacene el producto en un lugar seco. No coloque ningún artículo pesado arriba del aparato estando almacenado, ya que esto podría causar daños en el mismo. Almacene el adaptador de carga en un lugar limpio y seco lejos de cualquier objeto metálico. Revise siempre el enchufe antes de usar el aparato, para asegurarse de que ningún artículo metálico se ha adherido al aparato.



Fax +32 2 359 95 50

Copies of the I/B. Please reproduce them without any changes except under special instruction from Team International BELGIUM. The pages must be reproduced and folded in order to obtain a booklet A5 (+/- 148.5 mm width x 210 mm height). When folding, make sure you keep the good numbering when you turn the pages of the I/B. Don't change the page numbering. Keep the language integrity. **Print only what is inside the frame.**



PROTECCIÓN AMBIENTAL

Si el aparato dejara de funcionar, por favor asegúrese de descartarlo en un medio ambiente gentil. Por favor no lo ponga en el depósito de basura de su casa.



Fax +32 2 359 95 50

Copies of the I/B. Please reproduce them without any changes except under special instruction from Team International BELGIUM. The pages must be reproduced and folded in order to obtain a booklet A5 (+/- 148.5 mm width x 210 mm height). When folding, make sure you keep the good numbering when you turn the pages of the I/B. Don't change the page numbering. Keep the language integrity. **Print only what is inside the frame.**



GARANTÍA

Le sugerimos rellenar y nos envíen rápidamente la Tarjeta de Registro de Producto adjunta para facilitar la verificación de la fecha de compra. Por lo tanto, la devolución de esa Tarjeta de Registro de Producto no es una condición imprescindible para la aplicación de esa garantía. Puede también rellenar dicha tarjeta de garantía en línea en la dirección siguiente: www.KALORIK.com

A partir de la fecha de compra, este producto KALORIK está garantizado un año contra los defectos materiales y de fabricación, en los Estados Unidos. Esta garantía no es transferible. Conserve la prueba de compra original. Se exige una prueba de compra para obtener la aplicación de la garantía.

Durante este período, si el producto KALORIK después de una inspección por parte de KALORIK, se manifiesta defectuoso, será reparado o reemplazado, según lo que decida KALORIK, sin gastos para el consumidor. Si se envía un producto de reemplazo, se aplicará la garantía que queda del producto original.

Esta garantía no se aplica a los defectos causados por una mala utilización por parte del comprador o del usuario, o una negligencia al no respeto del manual de instrucciones KALORIK, o una utilización en un circuito eléctrico cuyo voltaje es diferente al que figura en el producto, o un desgaste normal, o modificaciones o reparaciones no autorizadas por KALORIK, o por un uso con fines comerciales. No existe garantía por las partes de cristal, jarras de cristal, filtros, cestos, cuchillas y accesorios en general. No existe tampoco garantía por las piezas perdidas por el usuario.

Toda garantía de valor comercial o de adaptabilidad a este producto está limitada a un año también.

Algunos estados no ponen límites a la duración de la garantía tácita o no autorizan la exclusión de daños y perjuicios accesorios o indirectos, por lo que puede que las restricciones anteriormente mencionadas no le sean aplicables a Usted. Esta garantía le otorga derechos legales particulares, pero usted puede tener también otros



Fax +32 2 359 95 50

Copies of the I/B. Please reproduce them without any changes except under special instruction from Team International BELGIUM. The pages must be reproduced and folded in order to obtain a booklet A5 (+/- 148.5 mm width x 210 mm height). When folding, make sure you keep the good numbering when you turn the pages of the I/B. Don't change the page numbering. Keep the language integrity. **Print only what is inside the frame.**



derechos que varían de un estado a otro y algunos derechos pueden variar de un estado a otro.

Si el aparato tuviera un defecto durante el periodo de garantía y / o más de 30 días después de que se compró, no devuelva el aparato en la tienda donde le compró: a menudo, nuestro Servicio al Consumidor puede ayudar a resolver el problema sin que el producto tenga que ser reparado. Si hace falta una reparación, uno de nuestros representantes puede confirmar si el producto está bajo garantía y dirigirle al servicio post-venta más próximo.

Si fuera el caso, traiga el producto (o envíelo, correctamente franqueado) con la **prueba de compra** que mencione **el número de autorización de devolución** indicado por nuestro Servicio al Consumidor, al servicio post-venta KALORIK más próximo. (Visite nuestra web www.KALORIK.com o llame al Servicio al Consumidor para obtener la dirección del Servicio post-venta KALORIK exclusivo más próximo).

Si envía el producto, le rogamos añadan una carta explicando la naturaleza del defecto.

Si tiene preguntas adicionales, por favor llame al Servicio al Consumidor (véase abajo para los datos completos), de lunes a viernes, de las 9 a las 18 (EST). Note que las horas pueden ser modificadas.

Si quiere escribirnos, puede hacerlo a la dirección siguiente:

KALORIK Servicio al Consumidor

Team International Group of America Inc.
1400 N.W 159th Street, Suite 102
Miami Gardens, FL 33169 USA

O llame gratuitamente (U.S.A.) al +1 888-521-TEAM / +1 888-KALORIK

Las cartas se aceptan solamente en la dirección anteriormente mencionada. Los envíos y paquetes que no tengan número de autorización de devolución serán rechazados.

Free Manuals Download Website

<http://myh66.com>

<http://usermanuals.us>

<http://www.somanuals.com>

<http://www.4manuals.cc>

<http://www.manual-lib.com>

<http://www.404manual.com>

<http://www.luxmanual.com>

<http://aubethermostatmanual.com>

Golf course search by state

<http://golfingnear.com>

Email search by domain

<http://emailbydomain.com>

Auto manuals search

<http://auto.somanuals.com>

TV manuals search

<http://tv.somanuals.com>