



KALORIK



Fatless grill / griddle
Plancha de asar eléctrica
Multi-grill

USK FGH 30035
USK FGH 31025

www.KALORIK.com

120V~60Hz 1400W



EN OPERATING INSTRUCTIONS

When using electrical appliances, basic safety precautions should always be followed, including the following :

IMPORTANT SAFEGUARDS

- 1. READ ALL INSTRUCTIONS BEFORE USE.**
2. Use only on AC 120 Volt, 50/60 Hz
3. DO NOT touch hot surfaces. Use handles or knobs.
4. To protect against electrical shock do not immerse the cord, plug, temperature controller or the appliance in water or other liquid.
5. Close supervision is necessary when any appliance is used by or near children.
6. Unplug from outlet when not in use and before cleaning. Allow to cool before putting on or taking off parts and before cleaning the appliance.
7. DO NOT operate any appliance with a damaged cord or plug or after the appliance malfunctions or has been damaged in any manner. Return the appliance to the nearest authorized service facility for examination, repair, or adjustment.
8. Do not use outdoors or for commercial purposes.
9. The use of accessory attachments not recommended by the appliance manufacturer may result in fire, electric shock or cause injury.
10. DO NOT let the cord hang over the edge of a table or counter, or touch hot surfaces.
11. DO NOT place on or near a hot gas or electric burner, or in a heated oven.
12. DO NOT use the appliance for other than intended use.
13. Always attach the plug to the appliance first, then the plug cord into the wall outlet. To disconnect, turn any control to "OFF", then remove the plug from wall outlet.
14. Do not intend to operate by means of an external timer or separate remote-control system.
15. Extreme caution must be exercised when moving an appliance containing hot oil or other hot liquids



16. Do not use on plastic or synthetic tablecloths or any unstable place or near flammable goods including curtains, draperies, walls, and the like, as fire may occur.
17. Never impact this unit or drop from high place.
18. DO NOT touch the plate surface while in use or before cooling down, even when the power is switched to the "OFF" position.
19. DO NOT touch the stainless steel cover during use. HOT SURFACE!
20. Do not use metal utensils on the cooking plate, as they will scratch the non-stick coating.

SAVE THESE INSTRUCTIONS HOUSEHOLD USE ONLY

POLARIZED PLUG INSTRUCTIONS

Some appliances are equipped with a polarized plug (one blade is wider than the other). To reduce the risk of electric shock, this plug will fit into the polarized outlet only one way. If the plug does not properly fit into the outlet at first, reverse it. If it still does not fit, contact a competent qualified electrician. **Do not attempt to modify the plug in any way.**

For appliances equipped with a standard plug, simply insert the plug into the outlet without paying attention to the way you plug it.

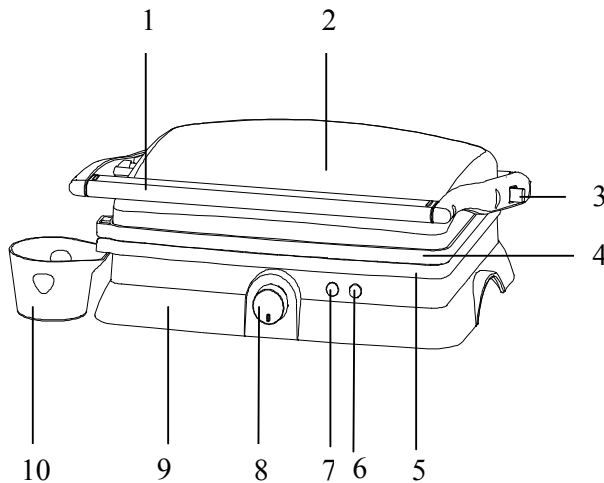
SHORT CORD INSTRUCTIONS

A short detachable power supply cord is provided to reduce the hazards resulting from becoming entangled in, or tripping over a longer cord. Longer detachable power supply cords may be used if care is exercised in their use.

- The electrical rating of the longer cord should be at least that of the appliance. If the electrical rating of the extension cord is too low, it could overheat and burn.
- The longer cord should be arranged so that it will not drape over the counter top or tabletop where it can be pulled on by children or tripped over. The extension cord should be a grounding-type 3-wire cord.



PART DESCRIPTION



1. Handle
2. Upper Housing
3. Hinge Release Lever (for 180° opening)
4. Upper Non-stick Plate
5. Bottom Non-stick Plate
6. Ready Light (Green)
7. Power Light (Red)
8. Thermostat Knob
9. Bottom Housing
10. Fat collecting Tray (2)

BEFORE FIRST USE

- Before using the appliance for the first time, remove and peel off any promotional materials and packaging materials, and check that the cooking plates are clean and free of dust
- Clean the grill and the accessories (Cf. "Cleaning and care"). It is recommended to heat up the grill for about 10 minutes without any foodstuff in order to eliminate the grease that may have adhered during manufacture and the "new" smell.
- Ventilate the room during this period. When your Grill Toaster is heated for the first time, it may emit slight smoke or odour. This is normal with many heating appliances. This does not affect the safety of your appliance.

OPERATION

- With the thermostat set to "Min", plug the appliance in. The red light will light up.
- **Apply a little oil on the cooking plate. Turn the knob to desired temperature level.** Preheat the grill to reach the ideal cooking



temperature. When the appliance reaches the desired temperature, the green pilot light will light up.

- Position the fat collecting tray near the spout on the side of the appliance.

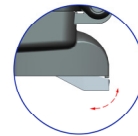
To Use as a Contact Grill

Use the Grill as a contact grill to cook burgers, boneless pieces of meat and thin cuts of meat and vegetables.

- Set the Grill Toaster Temperature Control to your desired setting. At first, try a setting in the "max" setting. You may later adjust it lower or higher according to your preference.
- Prepare the burgers, boneless pieces of meat and thin cuts of meat or other foods as directed and place it onto the bottom cooking plate.
- Close the top cooking plate which has a floating hinge that is designed to evenly press down on the food. The top plate must be fully lowered to achieve Grill marks on the selected foods.
- When the foods is cooked use the handle to open the lid. Remove the food with the help of a heat-resistant plastic or wooden spatula. Never use metal tongs or a knife as these can cause damage to the non-stick coating of the cook plates.
- NOTE : The ribs on the grill plates combined with the grease spout at the corner of the plate allow the grease to drip from the meat and drain off the plates.

Cooking with less fat

- If you want to cook with less fat, you can get rid of the excess cooking fat by using the slanted feet at the back of the appliance. This will provide the contact grid with a slope that will help evacuate the extra fat near the front edge of the cooking plate, and towards the fat collecting tray.





To Use as Press grill

Use the Grill as a Press grill to grill sandwiches, breads and quesadillas.

- Set the Grill Toaster Temperature Control to your desired setting. At first, try a medium setting (temperature setting 5 or 6). You may later adjust it lower or higher according to your preference.
- Prepare the sandwiches and place them onto the bottom cooking plate. Always place the sandwiches towards the rear of the bottom cooking plate first.
- Close the top cooking plate, which has a floating hinge that is designed to evenly press down on the sandwich. The top plate must be fully lowered to cook sandwiches.
- Cook for about 3 to 6 minutes or until golden brown, adjusting the time to suit your own individual taste.
- When the sandwich is cooked, use the handle to open the lid. Remove the sandwich with the help of a heat-resistant plastic or wooden spatula. Never use metal tongs or a knife as these can cause damage to the non-stick coating of the cook plates.
- To ensure proper and uniform grilling, when cooking more than one food item in the grill, it is important for the thickness of all food items to be consistent, so that the cover will close evenly on the food.

To Use as Open grill or a griddle

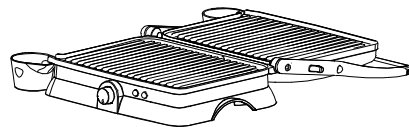
Use the Grill Toaster as an open grill to cook burgers, steak, poultry (we do not recommend cooking chicken parts with bones, since they would not cook evenly on an open grill), fish and vegetables.

- Put the grill on a clean flat surface where you intend to cook in flat position.
- With you left hand on the handle, use your right hand to slide the lever toward you (towards the handle). Push the handle back until the cover rests flat on the counter. The unit will stay in this position until you lift the handle and cover to return it to the closed position.





- The upper plate/cover is now level with lower plate/base. The upper and lower plates line up to create one large cooking surface.
- Cooking on the open grill is the most versatile method of using the Grill Toaster. In the open position, you have double the surface area for grilling
- You have the option of cooking different types of foods on separates without combining their flavors, or cooking large amounts of the same type of food. The open position also accommodates different cuts of meat with varying thicknesses, allowing you to cook each piece to your liking.
- You can use 2 fat collecting trays in this configuration, one per plate.



PRACTICAL HINTS

- Frozen food should always be thawed before it is grilled.
- To grill meat, put the thermostat in its maximum position and preheat the grill. For other ingredients, choose the temperature accordingly.
- If you grill vegetables, fish or lean meat, spray the grilling surface with a cooking spray. If you are grilling meat with any amount of fat, or if the food has been marinated, there is no need to treat the grill prior to cooking.



CLEANING AND CARE

- Put in "MIN" position, pull the plug from the power socket and let the appliance cool down before cleaning it.
- Clean the grill plates with a damp cloth, sponge or paper towel.
- Do not use anything abrasive that can scratch or damage the non-stick coating
- Do not use hard, sharp utensils. If the grill plates are very dirty, use mild washing-up product. Rinse with hot water on a sponge or towel and dry the plates carefully. The cleaning succeeds best when the grill plates are still slightly warm.
- To clean the housing, use a damp cloth, if necessary with some mild washing-up product.
- Make sure no water or other liquid penetrates into the appliance.
- DO NOT place in the dishwasher
- NEVER clean or rinse the appliance under running water.

STORAGE

- Always unplug the Grill Toaster before storage.
- Always make sure the Grill Toaster is cool and dry before string.
- The power cord can be wrapped around the bottom of base for storing.



WARRANTY

We suggest that you complete and return the enclosed Product Registration Card promptly to facilitate verification of the date of original purchase. However, return of the Product Registration Card is not a condition of these warranties. You can also fill this warranty card online, at the following address: www.KALORIK.com

This KALORIK product is warranted for 1 year from the date of purchase against defects in material and workmanship. This warranty is not transferable. Keep the original sales receipt. Proof of purchase is required to obtain warranty performance.

During this period, the KALORIK product that, upon inspection by KALORIK, is proved defective, will be repaired or replaced, at KALORIK's option, without charge to the customer. If a replacement product is sent, it will carry the remaining warranty of the original product.

This warranty does not apply to any defect arising from a buyer's or user's misuse of the product, negligence, failure to follow KALORIK instructions noted in the user's manual, use on current or voltage other than that stamped on the product, wear and tear, alteration or repair not authorized by KALORIK, or use for commercial purposes. There is no warranty for glass parts, glass containers, filter basket, blades and agitators, and accessories in general. There is also no warranty for parts lost by the user.

ANY WARRANTY OF MERCHANTABILITY OR FITNESS WITH RESPECT TO THIS PRODUCT IS ALSO LIMITED TO THE ONE YEAR LIMITED WARRANTY PERIOD

Some states do not allow limitation on how long an implied warranty lasts or do not allow the exclusion of incidental or consequential damages, so the above limitations may not apply to you. This warranty gives you specific legal rights, and you may also have other rights which vary from state to state.

If the appliance should become defective within the warranty period and more than 30 days after date of purchase, do not return



the appliance to the store: often, our Consumer Service Representatives can help solve the problem without having the product serviced. If servicing is needed, a Representative can confirm whether the product is under warranty and direct you to the nearest service location.

If this is the case, bring the product (or send it, postage prepaid), along **with proof of purchase** and indicating a **return authorization number** given by our Consumer Service Representatives, to the nearest authorized KALORIK Service Center (please visit our website at www.KALORIK.com or call our Customer Service Department for the address of the nearest authorized KALORIK Service Center). If you send the product, please include a letter explaining the nature of the claimed defect.

If you have additional questions, please call our Consumer Service Department (please see below for complete contact information), Monday through Friday from 9:00am - 6:00pm (EST). Please note hours are subject to change.

If you would like to write, please send your letter to:

KALORIK Consumer Service department
Team International Group of America Inc
1400 N.W 159th Street, Suite 102
Miami Gardens, FL 33169 USA

Or call :

Toll Free: +1 888-521-TEAM

Only letters can be accepted at this address above. Shipments and packages that do not have a return authorization number will be refused.

SP MANUAL DE INSTRUCCIONES

CONSEJOS DE SEGURIDAD

- 1. LEA TODAS LAS INSTRUCCIONES.**
- 2. USE ÚNICAMENTE EN AC 120 VOLT? 50/60 HZ**
- No toque las superficies calientes. Siempre utilice las asas o los botones.
- Para protegerse contra una descarga eléctrica, no sumerja el aparato, el termostato o el enchufe en agua o en otros líquidos.
- Es siempre necesaria la supervisión cercana cuando este aparato sea utilizado cerca de niños. Este aparato no debe ser usado por niños.
- Desconecte el aparato de la toma de corriente cuando el aparato no se encuentre en uso y antes de limpiarlo. Deje enfriar el aparato antes de limpiarlo.
- No opere este y ningún aparato si el cable o el enchufe están quemados o dañados, o después de que el aparato ha funcionado inadecuadamente, se ha caído o ha sido dañado en cualquier manera. El aparato debe ser reemplazado por el fabricante o por un centro de servicio autorizado o por una persona similar calificada.
- El uso de accesorios o aditamentos que no sean los recomendados por el fabricante pueden causar incendios, descargas eléctricas o lesiones.
- No use en exteriores
- No permita que el cable cuelgue de la orilla de la mesa o del mostrador o toqua las partes calientes.
- No coloque este aparato cerca de quemadores de estufas de gas o eléctricas, o dentro de un horno caliente.
- Cuando ase alimentos, tenga mucho cuidado cuando saque la bandeja o deseche grasa caliente.
- No use este aparato más que para lo que ha sido diseñado.
- NO haga funcionar sin la bandeja de goteo, o sin agua en la bandeja de goteo.
- Puede ocurrir un incendio si el aparato está en contacto con materiales inflamables, incluyendo cortinas, tapicería, paredes,



etc. o sobre un tapete de plástico o sintético cuando está en funcionamiento.

16. Este aparato se puede conectar con una toma de corriente estándar.
17. Evite los choques en el aparato y no deje que caiga de lo alto.
18. No toque la placa (resistencia) durante el funcionamiento o antes que el aparato haya enfriado, aunque los mandos del aparato estén en la posición apagada (OFF).
19. NO toque la tapa de acero inoxidable durante el uso. SUPERFICIE CALIENTE!
20. No utilice utensilios metálicos. Pueden dañar el revestimiento anti-adhesivo de la placa de cocción.
21. No opere por medio de un temporizador externo o el sistema de control remoto independiente.

GUARDE ESTAS INSTRUCCIONES EXCLUSIVAMENTE PAR USO DOMÉSTICO

INFORMACIÓN SOBRE EL ENCHUFE POLARIZADO

Algunos aparatos están provistos con un enchufe polarizado (una pata es más ancha que la otra). Para reducir el riesgo de choque eléctrico, este enchufe calza en el tomacorriente polarizado de una sola manera. Si el enchufe no cabe totalmente en el tomacorriente, gire el enchufe. Si aún así no calza, consulte a un servicio técnico cualificado. **No intente anular esta característica de seguridad.**

Para los aparatos provistos con un enchufe clásico, basta con insertar el enchufe en la toma de corriente.

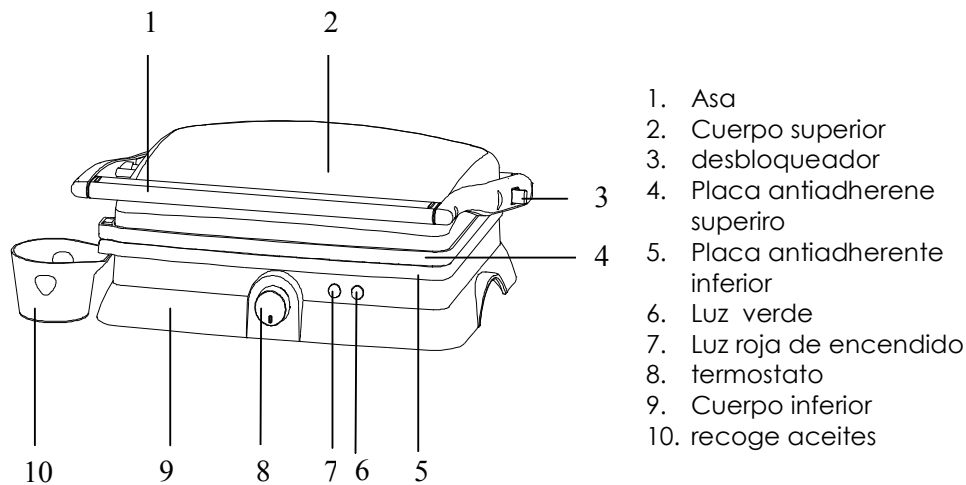
INSTRUCCIONES DEL CABLE

El cable de alimentación del aparato es un cable corto separable, a fin de disminuir el riesgo de accidentes (caídas al tropezar con él, etc.) Sin embargo, puede utilizar un cable separable más largo si es necesario.



- Asegúrese de que el nivel eléctrico del cable más largo sea igual o mayor al indicado. Un cable más largo con un bajo nivel eléctrico correría el riesgo de sobrecalentarse y de estropearse.
- Para evitar riesgos colocar de forma tal que los niños no puedan jalarlo o tropezar con él. Que no arrastre nunca por el suelo. El cable debe ser un cable de tres hilos con toma de tierra.

PARTES



ANTES DE UTILIZAR POR PRIMERA VEZ EL APARATO

- Antes de utilizar el aparato por primera vez, quite cualquier material de embalaje y compruebe que las placas de cocina están limpias y libres de polvo
- Limpie el asador y los accesorios (Cf. "Limpieza"). La primera vez que se enchufa, sale humo y huele. Esto es normal, puesto que en su fabricación se pueden haber adherido grasas que se estén quemando.
- Le recomendamos que tenga encendido el aparato durante 10 minutos sin comida y que ventile la habitación durante este tiempo. Cuando su plancha se calienta por primera vez, puede emitir un poco de humo o el olor. Es algo normal que ocurre con



muchos apartos de calor. Esto no afecta a la seguridad de su aparato.

PUESTA EN MARCHA

- Con el termostato ajustado a "Min", enchufe su aparato a la corriente eléctrica. La luz roja se enciende.
- Aplique un poco de aceite en la placa de cocción. Gire el termostato al nivel de temperatura deseado. La luz verde se encenderá. Precaliente la plancha hasta llegar a la temperatura deseada. Cuando el aparato alcanza la esta temperatura, el piloto verde se encenderá.
- Coloque el recipiente de recogida de grasa cerca de la boquilla situada en el lado del aparato.

Para uso como parrilla de contacto

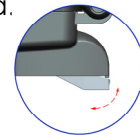
Utilice la plancha de esta forma para hamburguesas, trozos deshuesados de carne o verduras.

- Ajuste la plancha a la temperatura deseada. Al principio, ponga el termostato de temperatura en "max", luego puede ajustarlo a una temperatura inferior o superior de acuerdo a su preferencia.
- Preparar las hamburguesas, trozos deshuesados de carne y cortes finos de carne o de otros alimentos y colóquelos sobre la placa inferior.
- Cierre la placa superior, esta cuenta con una bisagra flotante diseñada par presionar hacia debajo de manera uniforme los alimento. La placa superior debe bajarse totalmente para alcanzar las marcas de parrilla en los alimentos seleccionados.
- Cuando la comida este lista utilice el asa para abrir la tapa. Retire los alimentos con la ayuda de una espátula de plástico resistente al calor o una espátula de madera. Nunca use pinzas de metal o un cuchillo, ya que estos pueden causar daño a la capa antiadherente de las placas de cocinar.
- NOTA: Las ranuras en la placa, junto con el caño en la esquina de esta , permite escurrir la grasa de la carne y de las placas

Cocine con menos grasa



- Si usted quiere cocinar con menos grasa, usted puede deshacerse de la grasa de cocinar en exceso mediante el uso de los pies inclinados en la parte posterior del aparato. Esto proporcionará una pequeña pendiente que le ayudarán a evacuar el exceso de grasa en la parte frontal de la placa de cocción, y hacia la bandeja de recogida de la grasa.



PARA USO COMO PARRILLA DE PRENSA

Utilice la plancha como una parrilla de prensa para asar bocadillos, panes y quesadillas.

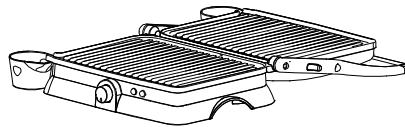
- Ajuste la plancha a la temperatura deseada. Al principio, ajuste la temperatura a un ajuste medio (ajuste de temperatura de 5 o 6). Luego puede ajustarlo a una temperatura inferior o superior de acuerdo a su preferencia.
- Prepare los emparedados y colóquelos en la placa inferior. Colóquelos siempre primero hacia la parte trasera de la placa inferior.
- Cierre la placa superior, esta cuenta con una bisagra flotante diseñada para presionar hacia abajo de manera uniforme en el sándwich. La placa superior debe bajarse totalmente para cocinar los sándwiches.
- Cocine durante 3 a 6 minutos o hasta que estén dorados, ajustando el tiempo a su gusto individual.
- Cuando el sándwich este listo, abra la tapa utilizando el asa. Retire el sándwich con la ayuda de una espátula de plástico resistente al calor o una espátula de madera. Nunca use pinzas de metal o un cuchillo ya que estos pueden causar daño a la capa antiadherente de las placas.
- Para garantizar una utilización uniforme de la parrilla, al cocinar más de una partida de alimentos en esta, es importante que el espesor de todos los productos alimenticios sea coherente, de modo que la tapa se cierra de forma uniforme en los alimentos.

PARA USO COMO PLANCHA ABIERTA



Use la plancha abierta para cocinar hamburguesas, carnes, aves de corral (le recomendamos no cocinar las piezas de pollo con hueso, ya que no se cocina uniformemente en una parrilla abierta), pescado y verduras.

- Coloque la parrilla en una superficie plana y limpia en la que va a cocinar en posición abierta.
- Con la mano izquierda que en el asa, use su mano derecha para deslizar la palanca hacia usted (hacia el mango). Empuje el asa hacia atrás hasta que la cubierta superior se apoya sobre el mostrador. La unidad permanecerá en esa posición hasta que se levante el mango y la cubierta para regresar a la posición de cerrado.
- La placa superior / tapa está ahora al nivel de la placa inferior / base. Las placas superior e inferior se alinean para crear una superficie de cocción de gran tamaño.
- Cocinar a la parrilla abierta es el método más versátil de la utilización de la Tostadora Grill. En la posición abierta, tiene el doble de la superficie para asar a la parrilla
- Usted tiene la opción de cocinar diferentes tipos de alimentos al mismo tiempo sin mezclar los sabores, o cocinar grandes cantidades del mismo tipo de alimentos. La posición abierta se adapta a diferentes cortes de carne con diferentes espesores, lo que le permite cocinar cada pieza a su gusto.



CONSEJOS PRÁCTICOS

- Descongele los alimentos antes de ponerlos en el asador.
- Para asar la carne poco hecha coloque el termostato en su posición máxima y respete el precalentamiento. Para la cocción normal y según su gusto, seleccione la temperatura que mejor le parezca.



- Si asa verduras, pescado o carne magra, humidifique la superficie de asa con un spray para asar. Si asa carne con un poco de grasa, o si la carne ha sido marinada, no hace falta utilizar un spray antes de asar.

LIMPIEZA

- Antes de limpiar el aparato, coloque el botón del termostato en la posición apagada (MIN) y quite la clavija del enchufe mural.
- Deje enfriar el aparato antes de limpiarlo y desconecte el termostato del aparato antes de tirar todos los residuos de grasa.
- No use ningún producto abrasivo que puede rayar o dañar la capa antiadherente
- No utilice utensilios afilados. Si las placas están muy sucias, utilice un producto suave para su lavado. Enjuague con agua caliente sobre una esponja o una toalla y seque las placas con cuidado. La limpieza es más eficiente cuando las placas están todavía un poco calientes.
- Limpiar las partes exteriores del asador con un paño ligeramente humedecido.
- No utilice detergentes agresivos o esponjas que puedan arañar el revestimiento antiadhesivo.
- NO coloque en el lavaplatos
- Nunca limpie o enjuague el aparato bajo el grifo.

ALMACENAMIENTO

- Desenchufe siempre su aparato antes de guardarlo.
- Compruebe que este frío, seco y limpio antes de guardar
- El cable de alimentación puede ser enrollado alrededor de la parte inferior de la base para su almacenamiento.



GARANTÍA

Le sugerimos rellenen y nos envíen rápidamente la Tarjeta adjunta de Registro de Producto adjunto para facilitar la verificación de la fecha de compra. Por lo tanto, la devolución de esa Tarjeta de Registro de Producto no es una condición imprescindible para la aplicación de esa garantía. Puede también rellenar esa carta de garantía en línea en la dirección siguiente : www.KALORIK.com

A partir de la fecha de compra, este producto KALORIK está garantizado un año contra los defectos materiales y de fabricación. Esta garantía no es transferable. Conserve la prueba de compra original. Se exige una prueba de compra para obtener la aplicación de la garantía.

Durante este período, si el producto KALORIK que, después de una inspección por parte de KALORIK, se manifiesta defectuoso, será reparado o reemplazado, según lo que decida KALORIK, sin gastos para el consumidor. Si se envía un producto de reemplazamiento, se aplicará la garantía que queda del producto original.

Esta garantía no se aplica a los defectos causados por una mala utilización por parte del comprador o del utilizador, a una negligencia, al no respeto del manual de instrucciones KALORIK, a una utilización en un circuito eléctrico cuyo voltaje es diferente al que figura en el producto, a un desgaste normal, a modificaciones o reparaciones no autorizadas por KALORIK, o por un uso con fines comerciales. No existe garantía por las partes de cristal, jarras de cristal, filtros, cestos, hojas y accesorios en general. No existe tampoco garantía por las piezas perdidas por el utilizador.

Toda garantía de valor comercial o de adaptabilidad a este producto está limitada a un año también.

Algunos estados no ponen límites a la duración de la garantía tácita o no autorizan la exclusión de daños y perjuicios accesorios o indirectos, por lo que puede que las restricciones anteriormente mencionadas no le sean aplicables a Usted. Esta garantía le otorga derechos legales particulares, pero usted puede tener también otros



derechos que varían de un estado a otro y algunos derechos pueden variar de un estado a otro.

Si el aparato tuviera un defecto durante el periodo de garantía y más de 30 días después de que se compró, no devuelva el aparato en la tienda donde le compró : a menudo, nuestro Servicio al Consumidor puede ayudar a resolver el problema sin que el producto tenga que ser reparado. Si hace falta una reparación, uno de nuestros representantes puede confirmar si el producto está bajo garantía y dirigirle al servicio post-venta lo más próximo.

Si fuera el caso, traiga el producto (o envíalo, correctamente franqueado) con la **prueba de compra** que mencione **el número de autorización de devolución** indicado por nuestro Servicio al Consumidor, al servicio post-venta KALORIK lo más próximo. (Visite nuestra web www.KALORIK.com o llame al Servicio al Consumidor para obtener la dirección del Servicio post-venta KALORIK exclusivo lo más próximo).

Si envía el producto, le rogamos añadan una carta explicando la naturaleza del defecto.

Si tiene preguntas adicionales, por favor llame al Servicio al Consumidor (véase abajo para los datos completos), de lunes a viernes, de las 9 a las 18 (EST). Note que las horas pueden ser modificadas.

Si quiere escribirnos, puede hacerlo a la dirección siguiente :

KALORIK Servicio al Consumidor

Team International Group of America Inc
1400 N.W 159th Street, Suite 102
Miami Gardens, FL 33169 USA

O llame gratuitamente al +1 888-521-TEAM

las cartas se aceptan solamente en la dirección anteriormente mencionada. Los envíos y paquetes que no tengan número de autorización de devolución serán rechazados.



(FR) MODE D'EMPLOI

CONSIGNES DE SECURITE

- 1. LISEZ L'ENSEMBLE DES INSTRUCTIONS.**
2. Avant d'utiliser l'appareil, vérifiez que la tension du réseau correspond bien à celle notée sur la plaque signalétique de votre appareil. Cet appareil ne doit fonctionner que sur le réseau alternatif 110~120V 50/60 Hz
3. Pour écarter les risques d'électrocution, n'immergez pas le cordon, la fiche ou le bloc moteur dans l'eau ou dans tout autre liquide.
4. Faites particulièrement attention lorsque l'appareil est utilisé par ou en présence d'enfants.
5. Débranchez l'appareil de la prise murale lorsqu'il n'est pas utilisé ou avant de le nettoyer.
6. Ne faites pas fonctionner l'appareil si son cordon ou sa fiche est endommagé ou si l'appareil a présenté un dysfonctionnement ou est endommagé. Retournez l'appareil au centre de service autorisé pour le faire vérifier ou réparer.
7. L'utilisation d'accessoires non recommandés par le fabricant présente des risques d'incendie, d'électrocution ou de blessure.
8. N'utilisez pas l'appareil à l'extérieur, ou de façon commerciale / professionnelle
9. Ne laissez pas le cordon pendre de la table ou d'un comptoir et évitez qu'il touche une surface chaude.
10. Ne placez pas l'appareil sur ou près d'un brûleur à gaz ou électrique ou dans un four chaud.
11. Insérez toujours le cordon d'abord dans l'appareil et ensuite dans la prise murale. Pour déconnecter l'appareil, mettez le thermostat en position « Min » et débranchez.
12. N'utilisez pas cet appareil à des fins autres que celles pour lesquelles il est conçu.
13. Faites particulièrement attention lorsque vous déplacez un appareil contenant de l'huile brûlante ou tout autre liquide brûlant.
14. Il est indispensable de garder cet appareil propre étant donné qu'il est en contact direct avec la nourriture.



15. N'utilisez pas cet appareil en le connectant à un programmeur externe ou à un système de mise en route équipé d'une télécommande.
16. Ne pas utiliser sur des dessus de tables plastiques ou synthétiques, ou à proximité de tout autre nappe, tissu mural, draperie, rideaux, ..., car un incendie pourrait se déclencher.
17. Ne faites pas tomber l'appareil d'une hauteur importante
18. Ne touchez pas les plaques de cuisson avant qu'elles ne soient refroidies complètement, même quand le sélecteur de température est en position éteinte.
19. Ne touchez pas la surface en acier inoxydable durant ou immédiatement après la cuisson. SURFACE BRULANTE.
20. N'utilisez pas d'ustensiles en métal sur les plaques de cuisson, car ils endommageraient le revêtement antiadhésif.

CONSERVEZ CES INSTRUCTIONS USAGE DOMESTIQUE UNIQUEMENT

INSTRUCTIONS POUR LES FICHES POLARISÉES

Certains appareils ont une prise polarisée (une des deux tiges métalliques est plus longue que l'autre). Pour réduire le risque de choc électrique, cette prise ne peut être introduite que d'une seule façon dans la fiche murale. Si cette prise ne rentre pas correctement dans la fiche, retournez-la. Si elle ne rentre toujours pas, contactez un électricien qualifié et reconnu. **N'essayez jamais de modifier vous-même la prise polarisée.**

Pour les appareils équipés d'une prise standard, il suffit de brancher la prise dans la fiche murale.

CONSIGNES CONCERNANT LE CORDON

Le cordon d'alimentation de l'appareil est un cordon de type court, et ce afin de diminuer les risques d'accidents (chute si vous marchez sur le cordon...). Vous pouvez toutefois utiliser une rallonge si nécessaire mais:

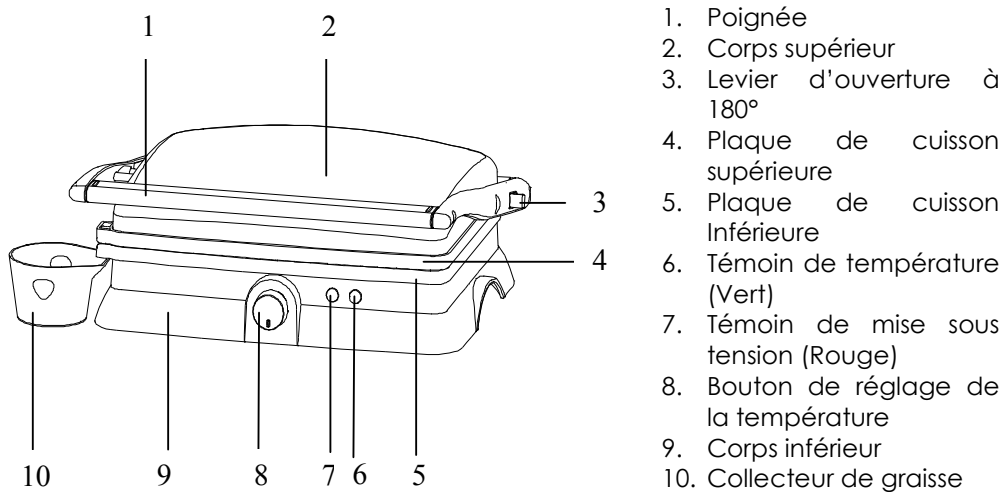
- Assurez-vous que l'ampérage de la rallonge soit égal ou supérieur à celui de l'appareil. Une rallonge avec un



ampérage inférieur à celui de l'appareil risquerait de surchauffer et de brûler.

- La rallonge ne doit pas pendre du plan de travail ou de la table afin d'éviter que les enfants ne le tirent ou trébuchent.

DESCRIPTION



1. Poignée
2. Corps supérieur
3. Levier d'ouverture à 180°
4. Plaque de cuisson supérieure
5. Plaque de cuisson inférieure
6. Témoin de température (Vert)
7. Témoin de mise sous tension (Rouge)
8. Bouton de réglage de la température
9. Corps inférieur
10. Collecteur de graisse

AVANT LA PREMIERE UTILISATION

- Avant d'utiliser l'appareil pour la première fois, retirez tous les emballages, décollez les éventuels autocollants, et vérifiez que les plaques de cuisson sont propres et sans poussières.
- Nettoyez le grill et les accessoires (référez vous à la rubrique "Nettoyage et Entretien"). Il est recommandé de faire fonctionner le grill pendant 10 minutes sans nourriture la première fois, pour éliminer toute trace de graisse qui aurait pu adhérer aux plaques pendant la fabrication, et toute odeur de « neuf »
- Aérez bien la pièce pendant cette période. Quand votre grill est mis en marche pour la première fois, il peut y avoir une légère émission de fumée et une odeur. Cela est normal et n'affecte pas le bon fonctionnement de votre appareil.



UTILISATION

- Mettez le thermostat en position "MIN". Branchez l'appareil sur la fiche murale. L'appareil est sous tension et la lumière rouge s'allume.
- Mettez un petit peu de matières grasses sur la plaque. Pour préchauffer l'appareil, tournez le thermostat pour atteindre la température désirée. Quand l'appareil atteint la température désirée, le témoin vert s'allume.
- Placez le collecteur de graisse devant le bec verseur sur le côté gauche de la plaque de cuisson inférieure.

Utilisation comme Grill à Mâchoires

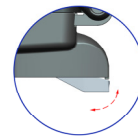
Utilisez le grill comme un grill à mâchoire pour saisir des steaks, hamburgers, pièces de viandes sans os ou coupées en morceaux fins, légumes, etc. ...

- Réglez le grill sur la température souhaitée. Pour commencer, sélectionnez la température maximale. Vous pourrez ajuster la température idéale ultérieurement selon vos préférences.
- Préparez la nourriture comme souhaité et placez la sur la plaque de cuisson inférieure.
- Fermez l'appareil en abaissant la plaque de cuisson supérieure, qui a une charnière flottante, permettant de presser uniformément la nourriture. La plaque supérieure doit être complètement abaissée pour obtenir les meilleurs résultats de cuisson.
- Quand la cuisson est terminée, ouvrez l'appareil en relevant la plaque de cuisson supérieure par la poignée. Retirez la nourriture en utilisant une spatule en bois ou en silicone ou plastique résistant à la chaleur. N'utilisez pas d'ustensiles en métal car ils pourraient endommager le revêtement antiadhésif des plaques
- NOTE : les rainures sur les plaques de cuisson (modèle FHG 30035) permettent à la graisse de glisser le long de la plaque et d'être évacuée vers le collecteur de graisses.



Cuisson sans graisses

- Si vous désirez une cuisson avec le moins de graisses possible, et évacuer le surplus de matières grasses, cela peut être fait en utilisant le système de surélévation des pieds antérieurs de l'appareil. Ces pieds spéciaux vont créer une pente qui permet une évacuation plus rapide et efficace de la graisse de cuisson vers le collecteur.



Utilisation comme presse à sandwichs

Idéal pour griller sandwichs, pains et quesadillas.

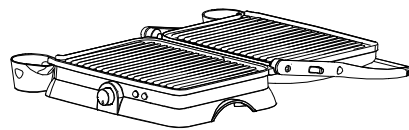
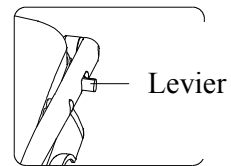
- Réglez le grill sur la température souhaitée. Pour commencer, sélectionnez une température moyenne (position 5 ou 6). Vous pourrez ajuster la température idéale ultérieurement selon vos préférences.
- Préparez les pains à et placez les sur la plaque de cuisson inférieure. Commencez par garnir la plaque de cuisson par le fond.
- Fermez l'appareil en abaissant la plaque de cuisson supérieure, qui a une charnière flottante, permettant de presser uniformément les sandwichs. La plaque supérieure doit être complètement abaissée pour obtenir les meilleurs résultats de cuisson.
- Faire cuire de 3 à 6 minutes, ou jusqu'à l'obtention du degré de cuisson désiré.
- Quand la cuisson est terminée, ouvrez l'appareil en relevant la plaque de cuisson supérieure par la poignée. Retirez la nourriture en utilisant une spatule en bois ou en silicone ou plastique résistant à la chaleur. N'utilisez pas d'ustensiles en métal car ils pourraient endommager le revêtement antiadhésif des plaques.
- Pour obtenir une cuisson uniforme, il est essentiel de cuire des aliments d'une même épaisseur, de façon à ce que la partie supérieure presse uniformément sur les aliments à cuire.



Utilisation comme grill ouvert / plaque de cuisson

L'utilisation du grill en position ouverte à 180° est idéale pour la cuisson d'une grande quantité de viandes, steak, burgers, volailles, poissons et légumes.

- Positionnez le grill sur une surface parfaitement plane et propre.
- En gardant votre main gauche sur la poignée, actionnez le levier de déblocage avec votre main droite en le tirant vers vous, puis repoussez la poignée complètement vers l'arrière de l'appareil, jusqu'à ce que la partie supérieure repose sur le plan de travail.
L'appareil restera dans cette position jusqu'au moment où vous déciderez de le refermer (pour cela il suffira de ramener la poignée vers l'avant).
- La plaque de cuisson supérieure est maintenant au même niveau que la plaque inférieure. Elles sont alignées
- La cuisson en position ouverte (ou 180°) est une méthode de grill très versatile qui offre une surface de cuisson doublée
- Vous avez la possibilité de cuire différents types de nourriture sans mélanger les goûts. Cette position permet également de cuire simultanément des morceaux d'épaisseur différentes, comme vous le souhaitez, ou de cuire des quantités de nourritures plus importantes en une seule opération.



CONSEILS PRATIQUES

- Décongelez toujours la nourriture avant de la faire cuire sur un grill.
- Pour griller de la viande, il est recommandé en général de positionner le thermostat sur la température maximale et de préchauffer l'appareil. Pour d'autres ingrédients, choisissez la température la plus appropriée.



- Pour cuire des légumes, du poisson ou de la viande maigre, il est recommandé d'ajouter un peu de matière grasse avant de démarrer la cuisson. Pour de la viande moins maigre ou marinée, cela n'est pas nécessaire.

NETTOYAGE ET ENTRETIEN

- Positionnez le thermostat en position "MIN", débranchez l'appareil et laissez refroidir complètement avant de nettoyer
- Nettoyer les plaques de cuissons avec un chiffon humide ou une éponge, ou des essuie-tout en papier.
- N'utilisez aucune matière abrasive qui pourrait endommager le revêtement des plaques de cuisson (grattoirs, paille de fer, tampon à récurer)
- Si les plaques sont très sales, utilisez un produit de nettoyage vaisselle doux. Rincez avec de l'eau chaude sur une éponge et essuyer précautionneusement.
- Pour nettoyer le corps de l'appareil, utilisez un chiffon humide, et un détergent ménager doux si nécessaire.
- Prenez soin à ce qu'aucun liquide ne pénètre l'intérieur de corps de l'appareil.
- Ne mettez jamais l'appareil dans le lave-vaisselle !
- Ne nettoyez ou ne rincez pas l'appareil sous l'eau courante !

RANGEMENT

- Toujours débrancher l'appareil avant de le ranger
- Vérifiez que l'appareil est complètement refroidi, sec et propre avant de le ranger
- Vous pouvez enrouler le cordon d'alimentation autour de l'appareil ou autour de la base pour le rangement.



GARANTIE

Nous vous suggérons de remplir et de nous renvoyer rapidement la Carte d'Enregistrement Produit ci-jointe afin de faciliter la vérification de la date d'achat. Cependant, le renvoi de la Carte d'Enregistrement Produit n'est pas une condition indispensable à l'application de la présente garantie. Vous pouvez aussi remplir cette carte de garantie en ligne à l'adresse suivante :

www.KALORIK.com

A compter de la date d'achat, ce produit KALORIK est garanti un an contre les défauts matériels et de fabrication. Cette garantie n'est pas transférable. Conservez la preuve d'achat originelle. Une preuve d'achat est exigée pour obtenir l'application de la garantie.

Durant cette période, le produit KALORIK qui, après inspection par KALORIK, s'avère défectueux, sera réparé ou remplacé, au choix de KALORIK, sans frais pour le consommateur. Si un produit de remplacement est envoyé, c'est la garantie restante du produit originel qui s'appliquera.

La présente garantie ne s'applique pas aux défauts dus à une mauvaise utilisation de la part de l'acheteur ou de l'utilisateur, à une négligence, au non-respect des consignes du manuel d'utilisation KALORIK, à une utilisation sur un circuit électrique au voltage différent de celui renseigné sur le produit, à une usure normale, à des modifications ou réparations non autorisées par KALORIK, ou par un usage à des fins commerciales. Il n'existe pas de garantie pour les parties en verre, récipients en verre, filtres, paniers, lames et accessoires en général. Il n'existe également pas de garantie pour les pièces perdues par l'utilisateur.

Toute garantie de valeur commerciale ou d'adaptabilité à ce produit est également limitée à la garantie d'un an.

Certains états ne limitent pas la longueur de la garantie tacite ou n'autorisent pas l'exclusion de dommages-intérêts accessoires ou indirects, les restrictions ci-dessus peuvent donc ne pas s'appliquer à vous. Cette garantie vous donne des droits légaux particuliers, et certains droits peuvent varier d'un état à l'autre.



Si l'appareil devait présenter un défaut durant la période de garantie et plus de 30 jours après l'achat, ne ramenez pas l'appareil au magasin : souvent, notre Service Clientèle peut aider à résoudre le problème sans que le produit ne doive être réparé. Si une réparation est nécessaire, un représentant peut confirmer si le produit est sous garantie et vous rediriger vers le service après-vente le plus proche.

Le cas échéant, ramenez le produit (ou envoyez-le, dûment affranchi), ainsi qu'**une preuve d'achat**, en mentionnant **le numéro d'autorisation de retour**, indiqué par notre service clientèle, au service après-vente KALORIK agréé le plus proche. (visitez notre site internet www.KALORIK.com ou appelez notre département Service Clientèle pour obtenir l'adresse du service après-vente KALORIK agréé le plus proche).

Si vous envoyez le produit, veuillez y joindre une lettre expliquant la nature du défaut.

Si vous avez des questions complémentaires, veuillez appeler notre département Service Clientèle (voyez plus bas pour les coordonnées complètes), du lundi au vendredi de 9h à 18h (EST). Veuillez noter que les heures sont sujettes à modification.

Si vous souhaitez nous écrire, adressez votre courrier à :

KALORIK Consumer Service Department
Team International Group of America Inc
1400 N.W 159th Street, Suite 102
Miami Gardens, FL 33169 USA

Ou appelez:

Gratuitement: +1 888-521-TEAM

Seules les lettres seront acceptées à l'adresse ci-dessus. Les envois et colis n'ayant pas de numéro d'autorisation de retour seront refusés.



Back cover page (last page)

Assembly page 28/28

Free Manuals Download Website

<http://myh66.com>

<http://usermanuals.us>

<http://www.somanuals.com>

<http://www.4manuals.cc>

<http://www.manual-lib.com>

<http://www.404manual.com>

<http://www.luxmanual.com>

<http://aubethermostatmanual.com>

Golf course search by state

<http://golfingnear.com>

Email search by domain

<http://emailbydomain.com>

Auto manuals search

<http://auto.somanuals.com>

TV manuals search

<http://tv.somanuals.com>