

**rollie**

Fax +1 305 430 9692

Copies of the I/B. Please reproduce them without any changes except under special instruction from Team International USA. The pages must be reproduced and folded in order to obtain a booklet A5 (+/- 148.5 mm width x 210 mm height). When folding, make sure you keep the good numbering when you turn the pages of the I/B. Don't change the page numbering. Keep the language integrity. **Print only what is inside the frame.**



# rollie™

## Vertical Grill

## Parrilla Vertical

## Grill vertical



### GR 38892

120V~60Hz - 210W

[www.tryrollie.com](http://www.tryrollie.com)



Front cover page (first page)

Assembly page 1/72



Fax +1 305 430 9692

Copies of the I/B. Please reproduce them without any changes except under special instruction from Team International USA. The pages must be reproduced and folded in order to obtain a booklet A5 (+/- 148.5 mm width x 210 mm height). When folding, make sure you keep the good numbering when you turn the pages of the I/B. Don't change the page numbering. Keep the language integrity. **Print only what is inside the frame.**



# **(EN) OPERATING INSTRUCTIONS**

## **IMPORTANT SAFEGUARDS**

**When using electrical appliances, basic safety precautions should always be followed, including the following:**

### **1. READ ALL INSTRUCTIONS**

2. Check that your house's main voltage is the same as stated on the rating plate of the appliance before using the appliance.
3. Do not touch hot surfaces. Use handles and knobs.
4. To protect against electrical shock do not immerse cord, plug, or the appliance in water or other liquid.
5. Close supervision is necessary when the appliance is used near children. This appliance shall not be used by children.
6. Please keep out of reach of children and pets. This product is not intended for use by children, or by persons with reduced physical, sensory or mental capabilities, or by persons lacking experience with the product or knowledge of the product's use, unless they have been given supervision or instruction concerning the use of the product, by a person responsible for their safety. Extra caution is always necessary when using this product.
7. Unplug from outlet when not in use and before cleaning. Allow to cool before cleaning the appliance.
8. Do not operate any appliance with a damaged cord or plug or after the appliance has malfunctioned or has been damaged in any manner. Return appliance to the nearest authorized service facility for examination, repair, or adjustment.
9. The use of accessory attachments which are not recommended by the appliance manufacturer may cause injuries.
10. Do not use outdoors.
11. Do not let cord hang over edge of table or counter, or touch hot surfaces.
12. Do not place on or near a hot gas or electric burner, or in a heated oven.
13. Extreme caution must be used when moving an appliance containing hot food, hot oil or other hot liquids.
14. To disconnect remove the plug from the wall outlet.
15. Do not use appliance for other than intended use.



Fax +1 305 430 9692

Copies of the I/B. Please reproduce them without any changes except under special instruction from Team International USA. The pages must be reproduced and folded in order to obtain a booklet A5 (+/- 148.5 mm width x 210 mm height). When folding, make sure you keep the good numbering when you turn the pages of the I/B. Don't change the page numbering. Keep the language integrity. **Print only what is inside the frame.**



16. When using this appliance, provide adequate airspace above and on all sides for air circulation. On surfaces where heat may cause a problem, an insulated hot pad is recommended.
17. Do not leave unit unattended during use.
18. Always use the product on a clean, flat, hard, dry surface. There should be no material such as a tablecloth or plastic between the unit and surface.
19. A fire may occur if the appliance is covered or touching flammable material, including curtains, draperies, walls, and the like, when in operation.
20. It is absolutely necessary to keep this appliance clean at all times as it comes into direct contact with food.
21. Be careful not to scratch the non-stick coating of the cooking chamber, as you might get little pieces of this coating into the food. If scraping is necessary, unplug the appliance and use only the cleaning brush supplied with the appliance.
22. The appliance shall not be operated using a separate timer or separate remote device.
23. The appliance shall not be operated using an extension cord.

## SAVE THESE INSTRUCTIONS HOUSEHOLD USE ONLY

### POLARIZED PLUG INSTRUCTIONS

This appliance is equipped with a polarized plug (one blade is wider than the other). To reduce the risk of electric shock, this plug will fit into the polarized outlet only one way. If the plug does not properly fit into the outlet at first, reverse it. If it still does not fit, contact a competent qualified electrician. **Do not attempt to modify the plug in any way.**

### SHORT CORD INSTRUCTIONS

A short power supply cord is provided to reduce the hazards resulting from becoming entangled in, or tripping over a longer cord. The appliance shall not be operated using an extension cord.



Fax +1 305 430 9692

Copies of the I/B. Please reproduce them without any changes except under special instruction from Team International USA. The pages must be reproduced and folded in order to obtain a booklet A5 (+/- 148.5 mm width x 210 mm height). When folding, make sure you keep the good numbering when you turn the pages of the I/B. Don't change the page numbering. Keep the language integrity. **Print only what is inside the frame.**



## INTRODUCTION

**The Rollie™ Eggmaster Grill** is an easy and simple appliance to use. The unique design cooks food with minimum counter space requirements and has the ability to be used almost anywhere.

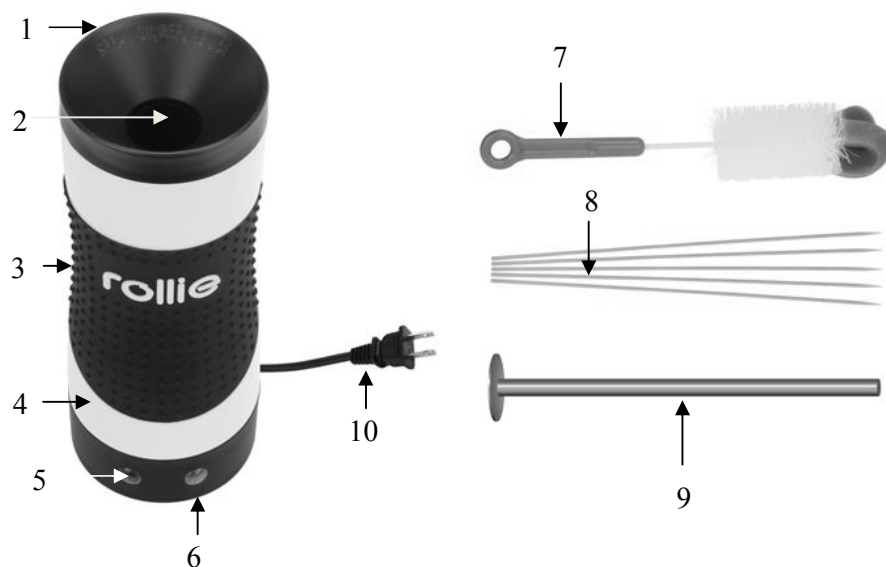
The Rollie™ Eggmaster Grill can cook eggs and other foods in a unique variety of ways, making it a great companion for breakfast or healthy snacks.

### ROLLIE™ EGGMASTER GRILL FEATURES:

1. **Cooking Chamber:** Allows you to cook up to 2 LARGE eggs at one time, and has a non-stick coating making it easy to clean and operate.
2. **Cool-touch Handling Surface:** the unique silicone rubber section of the appliance is a heat insulator for safe handling.
3. **Indicator Lights:** When power is on, the *red light* will turn ON. When Rollie™ Eggmaster is ready, the *green light* will turn ON.
4. The multipurpose **"Packer"** rod enables you to also use the Rollie™ Eggmaster Grill with meat, or batter, thus further expanding the grill's versatility, in a way no other grill can.
5. Rollie™ Eggmaster can also be used to cook using **skewers** (5 wooden skewers are included).
6. A cleaning brush is included.
7. **No assembly required.**



## PART DESCRIPTION



- |                              |   |
|------------------------------|---|
| 1. Funnel                    | 7. Cleaning brush   |
| 2. Cooking chamber           | 8. Wooden Skewers (5)   |
| 3. Silicone cool-touch ring  | 9. Packer used to pack food products in the cooking chamber (refer to RECIPE) |
| 4. Housing                   | 10. Power cord and UL plug  |
| 5. Power light (Red)         |   |
| 6. Temperature light (Green) |   |

## BEFORE THE FIRST USE

- Remove all the protective packaging.
- Before using for the first time, clean the surface of the cooking chamber according to the "CLEANING" section. **DO NOT IMMERSE THE APPLIANCE IN WATER!**
- On first use, some protective coating might burn off, causing smoking. This is NOT harmful and will disappear after a short time.
- Prior to first use:

1. Place the Rollie™ Eggmaster grill on a flat, level surface.



Fax +1 305 430 9692

Copies of the I/B. Please reproduce them without any changes except under special instruction from Team International USA. The pages must be reproduced and folded in order to obtain a booklet A5 (+/- 148.5 mm width x 210 mm height). When folding, make sure you keep the good numbering when you turn the pages of the I/B. Don't change the page numbering. Keep the language integrity. **Print only what is inside the frame.**



2. Plug the appliance in a wall outlet, and allow the appliance to heat for at least 10 minutes. Some smoke may appear which is normal. Disconnect and let the appliance cool completely, then clean according to the paragraph "CLEANING".

## OPERATION

- Position the appliance on a flat, heat-resistant, level surface.
- Plug the appliance into an electrical outlet. The red power light (5) will turn on, to indicate that the appliance is switched on.
- The green temperature pilot light (6) will stay off, to indicate the appliance is warming up. The green pilot light will turn on when the unit is ready for use.

**Note:** During use, this green pilot light will come on and off regularly.

**Caution:** During operation, the cooking chamber gets hot. The appliance might also generate steam. Always use oven mitts for protection, when manipulating the appliance or removing the food from the appliance. Avoid contact with the hot surfaces.

- Once the green light is on and unit is ready, use a cooking oil spray. For this, hold the unit horizontally and apply a "non-stick cooking oil spray" into the cooking chamber, then place the unit upright.

### Basic operation example

- Spray the Rollie™ cooking chamber with non-stick oil spray.
- Crack open 1-2 large eggs directly into the cooking chamber.
- For fully cooked eggs, cook for approximately 6-8 minutes at which time eggs may normally rise out of cooking chamber, otherwise you may pour out the eggs. (a mild shaking or the use of a wooden skewer may be necessary)
- For soft eggs, simply pour out eggs from cooking chamber at about 5 ½ minutes.

Please refer to the recipe book online at [www.tryrollie.com](http://www.tryrollie.com) for more details.



Fax +1 305 430 9692

Copies of the I/B. Please reproduce them without any changes except under special instruction from Team International USA. The pages must be reproduced and folded in order to obtain a booklet A5 (+/- 148.5 mm width x 210 mm height). When folding, make sure you keep the good numbering when you turn the pages of the I/B. Don't change the page numbering. Keep the language integrity. **Print only what is inside the frame.**



## TIPS

- Prior to plugging the Rollie™ Eggmaster Grill into a wall outlet, make sure it is thoroughly cleaned.
- Use regular or large eggs (for best results use conventional eggs with no additives).
- Use no more than two large eggs at one time.
- Prior to each use, spray "NON STICK COOKING OIL SPRAY" in the cooking chamber.
- Do not mix the egg yolk with the egg white (do not beat the eggs unless it is described in the Rollie™ recipe book).
- It is normal for the first cooked product to vary from the next one.
- Cooking time may vary, depending on the type of food, initial temperature or quantity of food to cook.
- Wooden skewers are helpful and can be used in a variety of ways:
  - For example, when inserting a rolled tortilla wrap, or a similar rolled product into the cooking chamber, it is helpful to use a skewer for pushing the rolled product into the cooking chamber, and making it snug against the walls and wide open in the middle.
  - Wooden skewers can be inserted into the food during the cooking cycle, to help pull the product out.
  - Only use wooden skewers, such as the ones supplied. Metallic ones might permanently damage the non-stick coating in the cooking chamber.
- Eggs can be cooked in a variety of ways; you do not need to wait until the eggs are fully cooked: eggs can be poured out earlier or later, for soft, medium, or hard cooking results.
- Scrambled eggs grow in volume when being cooked. To reduce this effect, we recommend mixing the beaten eggs with ground crackers, making sure not to fill the cooking chamber to more than half of its volume.
- All food, and especially meat and poultry, should be thoroughly defrosted before cooking.
- We recommend the use of a meat thermometer to ensure the food is cooked thoroughly.



Fax +1 305 430 9692

Copies of the I/B. Please reproduce them without any changes except under special instruction from Team International USA. The pages must be reproduced and folded in order to obtain a booklet A5 (+/- 148.5 mm width x 210 mm height). When folding, make sure you keep the good numbering when you turn the pages of the I/B. Don't change the page numbering. Keep the language integrity. **Print only what is inside the frame.**



## CLEANING

- Before cleaning, unplug and wait for the appliance to cool down completely.
- Wipe the outside of the appliance with a slightly moistened cloth.
- Using the supplied brush, apply a small amount of dish soap onto the wet brush and thoroughly clean the cooking chamber. Rinse with regular water. You may then place it upside down on a dry paper towel to dry. Avoid water contact with cord, plug and indicator lights.
- **DO NOT IMMERSE THE APPLIANCE, POWER CORD, OR PLUG, IN WATER OR ANY OTHER LIQUID.**
- The "Packer" can be cleaned in warm soapy water. Rinse well, and dry immediately.
- Do not clean the inside of the cooking chamber, the outside of the grill, or the packer, with any abrasive products, scouring pads or steel wool, as this will damage the finish.
- If there is any stubborn food baked in the cooking chamber, we advise using vegetable oil to soften it first, and then waiting 5 minutes before trying to remove it again with the supplied brush. You might also use the tip of a skewer to remove any stubborn residue at the bottom of the cooking chamber.

## RECIPES

### Useful Tips:

- The red light will indicate power is ON. When the green light turns on for the very first time, the Rollie™ Eggmaster is ready for use. The green light will turn on/off during use.
- Be sure to use non-stick oil spray before each use.
- It is recommended to insert a wooden skewer in the center of the filled cooking chamber to assist with easy removal of the product.
- Use the provided packer to push down the product while filling the cooking chamber.
- If the product begins to rise out of the cooking chamber, pour the product onto a plate to avoid the product from flopping over after rising completely.
- After removal of the product, you may turn the product upside down and reinsert into the cooking chamber for about 2 minutes for a crispier finish.
- Clean the cooking chamber between each use of a different recipe.





Fax +1 305 430 9692

Copies of the I/B. Please reproduce them without any changes except under special instruction from Team International USA. The pages must be reproduced and folded in order to obtain a booklet A5 (+/- 148.5 mm width x 210 mm height). When folding, make sure you keep the good numbering when you turn the pages of the I/B. Don't change the page numbering. Keep the language integrity. **Print only what is inside the frame.**



### **Rollie™ Eggs**

Ingredients:

1 or 2 large eggs

Instructions:

- Spray the Rollie™ cooking chamber with non-stick oil spray.
- Crack open 1-2 large eggs directly into the cooking chamber.
- For fully cooked eggs, cook for approximately 6-8 minutes at which time eggs may normally rise out of cooking chamber, otherwise you may pour out the eggs. (a mild shaking or the use of a wooden skewer may be necessary)
- For soft eggs, simply pour out eggs from cooking chamber at about 5 ½ minutes.

### **Rollie™ Egg Crackers**

Ingredients:

1 large egg

Approximately 5 round, 1 ¾ inch crackers

1/8 cup shredded cheese

Salt and pepper to your taste

Instructions:

- Spray the Rollie™ cooking chamber with non-stick oil spray.
- In a medium size bowl, crumble crackers and add cheese. Crack 1 large egg into bowl and add salt and pepper to taste. Gently mix ingredients together.
- Pour the mixture directly into the cooking chamber.
- Cook for approximately 5-6 minutes, at this time the product may normally rise out of the cooking chamber; otherwise you may pour the product out.

\*For a crispier finish, turn the roll upside down and place back in the Rollie™ Eggmaster for about 2 minutes.

### **Rollie™ Egg Whites**

Ingredients:

3 large eggs

Instructions:

- Spray the Rollie™ cooking chamber with non-stick oil spray.
- Separate the egg whites from the yolks.
- Pour the egg whites directly into the cooking chamber.
- Cook for approximately 6-8 minutes, at this time the product may normally rise out of the cooking chamber; otherwise you may pour the product out.



Fax +1 305 430 9692

Copies of the I/B. Please reproduce them without any changes except under special instruction from Team International USA. The pages must be reproduced and folded in order to obtain a booklet A5 (+/- 148.5 mm width x 210 mm height). When folding, make sure you keep the good numbering when you turn the pages of the I/B. Don't change the page numbering. Keep the language integrity. **Print only what is inside the frame.**



### **Rollie™ Feta and Egg**

#### Ingredients:

1 large egg  
4-5 cubes of feta cheese

#### Instructions:

- Spray the Rollie™ cooking chamber with non-stick oil spray.
- Crack open 1 large egg directly into the cooking chamber.
- On a wooden skewer insert 4-5 small cubes of feta cheese approximately ½ an inch apart from each other. Insert the skewer with cheese into the center of the egg in the cooking chamber.
- Cook for approximately 6-8 minutes, at this time the product may normally rise out of the cooking chamber; otherwise you may pour the product out.

### **Rollie™ Bacon Egg**

#### Ingredients:

1 large egg  
1 precooked bacon strip

#### Instructions:

- Spray the Rollie™ cooking chamber with non-stick oil spray.
- Crack open 1 large egg directly into the cooking chamber; take a wooden skewer and insert precooked bacon strip onto the skewer, as if you were to thread the bacon strip.
- Insert the wooden skewer with the precooked bacon strip into the center of the egg.
- Cook for approximately 6-8 minutes, at this time the product may normally rise out of the cooking chamber; otherwise you may pour the product out.

### **Rollie™ Egg Link**

#### Ingredients:

1 large egg  
1 precooked breakfast sausage link

#### Instructions:

- Spray the Rollie™ cooking chamber with non-stick oil spray.
- Crack open 1 large egg directly into the cooking chamber.
- Insert the wooden skewer into the center of the precooked sausage link and place the sausage link into center of the egg in the cooking chamber.
- Cook for approximately 5-7 minutes, at this time the product may normally rise out of the cooking chamber; otherwise you may pour the product out.



Fax +1 305 430 9692

Copies of the I/B. Please reproduce them without any changes except under special instruction from Team International USA. The pages must be reproduced and folded in order to obtain a booklet A5 (+/- 148.5 mm width x 210 mm height). When folding, make sure you keep the good numbering when you turn the pages of the I/B. Don't change the page numbering. Keep the language integrity. **Print only what is inside the frame.**



### **Rollie™ Egg in a Blanket**

Ingredients:

1 large egg

For the blanket use: 1 thin slice of salami, ham, or meat of choice

Instructions:

- Spray the Rollie™ cooking chamber with non-stick oil spray.
- Roll your "blanket" into a tube shape, so that it will fit inside the Rollie™.
- Insert the rolled "blanket" into the bottom of the cooking chamber; you may use a wooden skewer to assist.
- Crack open 1 large egg directly into the cooking chamber.
- Cook for approximately 6-8 minutes, at which time the product may normally rise out of the cooking chamber; otherwise you may pour the product out.

### **Rollie™ Egg Dog**

Ingredients:

1 large egg

1 thin hot dog

Instructions:

- Spray the Rollie™ cooking chamber with non-stick oil spray.
- Crack open 1 large egg directly into the cooking chamber.
- Insert the wooden skewer into the center of the hot dog and place the hot dog into the center of the egg in the cooking chamber.
- Cook for approximately 6-8 minutes, at which time the product may normally rise out of the cooking chamber; otherwise you may pour the product out.



Fax +1 305 430 9692

Copies of the I/B. Please reproduce them without any changes except under special instruction from Team International USA. The pages must be reproduced and folded in order to obtain a booklet A5 (+/- 148.5 mm width x 210 mm height). When folding, make sure you keep the good numbering when you turn the pages of the I/B. Don't change the page numbering. Keep the language integrity. **Print only what is inside the frame.**



### **Rollie™ Veggie Tortilla**

#### Ingredients:

- 1 piece tortilla/wrap
- 3 egg whites
- 1 teaspoon chopped red pepper, to your taste
- 1 teaspoon chopped green pepper, to your taste
- 1 teaspoon chopped onion, to your taste
- 1 teaspoon chopped spinach, to your taste
- Salt and pepper to your taste

#### Instructions:

- Spray the Rollie™ cooking chamber with non-stick oil spray.
- Mix all ingredients together in a medium size bowl.
- Cut the tortilla/wrap into 4 x 6 inches and roll the tortilla/wrap into a tube shape and insert into the cooking chamber.
- Pour the mixed ingredients into the cooking chamber. Fill up to an inch below the top of the tortilla/wrap.
- Cook for approximately 6-8 minutes, at this time the product may normally rise out of the cooking chamber; otherwise you may pour the product out.

\*For a crispier finish, turn the roll upside down and place back in the Rollie™ Eggmaster for about 2 minutes.

### **Rollie™ Greek Tortilla**

#### Ingredients:

- 1 piece tortilla/wrap
- ¼ cup frozen and thawed- chopped spinach
- 1/8 cup crumbled feta cheese
- 3 egg whites

#### Instructions:

- Spray the Rollie™ cooking chamber with non-stick oil spray.
- Mix all ingredients together in a medium size bowl.
- Cut the tortilla/wrap into 4 x 6 inches and roll the tortilla /wrap into a tube shape and insert into the cooking chamber.
- Pour the mixed ingredients into the cooking chamber. Fill up to an inch below the top of the tortilla/wrap.
- Cook for approximately 6-8 minutes, at this time the product may normally rise out of the cooking chamber; otherwise you may pour the product out.

\*For a crispier finish, turn the roll upside down and place back in the Rollie™ Eggmaster for about 2 minutes.



Fax +1 305 430 9692

Copies of the I/B. Please reproduce them without any changes except under special instruction from Team International USA. The pages must be reproduced and folded in order to obtain a booklet A5 (+/- 148.5 mm width x 210 mm height). When folding, make sure you keep the good numbering when you turn the pages of the I/B. Don't change the page numbering. Keep the language integrity. **Print only what is inside the frame.**



### **Rollie™ Breakfast Burrito**

#### Ingredients:

- 1 piece tortilla/wrap
- 1 large egg
- 1 chopped precooked sausage link
- 1 tablespoon of shredded cheese

#### Instructions:

- Spray the Rollie™ cooking chamber with non-stick oil spray.
- Mix all ingredients together in a medium size bowl.
- Cut the tortilla/wrap into 4 x 6 inches and roll the tortilla/wrap into a tube shape and insert into the cooking chamber.
- Pour the mixed ingredients into the cooking chamber. Fill up to an inch below the top of the tortilla/wrap.
- Cook for approximately 8 minutes, at this time the product may normally rise out of the cooking chamber; otherwise you may pour the product out.

\*For a crispier finish, turn the roll upside down and place back in the Rollie™ Eggmaster for about 2 minutes.

### **Smoked Rollie™ Tortilla**

#### Ingredients:

- 1 piece tortilla/wrap
- 1 large egg
- 1 tablespoon chopped smoked trout/ salmon
- 1-2 teaspoon chopped goat cheese
- 1-2 teaspoon chopped caramelized red or raw onion
- Salt and pepper to your taste

#### Instructions:

- Spray the Rollie™ cooking chamber with non-stick oil spray.
- Mix all ingredients together in a medium size bowl.
- Cut the tortilla/wrap into 4 x 6 inches and roll the tortilla/wrap into a tube shape and insert into the cooking chamber.
- Pour the mixed ingredients into the cooking chamber. Fill up to an inch below the top of the tortilla/wrap.
- Cook for approximately 8 minutes, at this time the product may normally rise out of the cooking chamber; otherwise you may pour the product out.

\*For a crispier finish, turn the roll upside down and place back in the Rollie™ Eggmaster for about 2 minutes.



Fax +1 305 430 9692

Copies of the I/B. Please reproduce them without any changes except under special instruction from Team International USA. The pages must be reproduced and folded in order to obtain a booklet A5 (+/- 148.5 mm width x 210 mm height). When folding, make sure you keep the good numbering when you turn the pages of the I/B. Don't change the page numbering. Keep the language integrity. **Print only what is inside the frame.**



### **Rollie™ B.C.T.**

#### Ingredients:

- 1 piece tortilla/wrap
- 1 large egg
- 1 tablespoon shredded cheese
- 1 tablespoon precooked chopped bacon
- Salt and pepper to your taste

#### Instructions:

- Spray the Rollie™ cooking chamber with non-stick oil spray.
- Mix all ingredients together in a medium size bowl.
- Cut the tortilla/wrap into 4 x 6 inches and roll the tortilla/wrap into a tube shape and insert into the cooking chamber.
- Pour the mixed ingredients into the cooking chamber. Fill up to an inch below the top of the tortilla/wrap.
- Cook for approximately 8 minutes, at this time the product may normally rise out of the cooking chamber; otherwise you may pour the product out.

\*For a crispier finish, turn the roll upside down and place back in the Rollie™ Eggmaster for about 2 minutes.

### **French Toast Rollie™**

#### Ingredients: makes 2 servings

- 4 slices white bread, cut into small cubes
- 1 large egg, whipped
- ½ teaspoon vanilla extract
- ½ teaspoon cinnamon powder or to your taste
- ¼ cup milk
- 2 teaspoon sugar

#### Instructions:

- Spray the Rollie™ cooking chamber with non-stick oil spray.
- In a bowl mix all the ingredients together. Make sure all bread is soaked in the mixture.
- Place the mixture in the cooking chamber and pack down with packer while filling, fill to about the top of where it says "Rollie" and then pack again.
- Cook for 5-6 minutes, at this time the product may normally rise out of the cooking chamber; otherwise you may pour the product out. Serve with maple syrup.



Fax +1 305 430 9692

Copies of the I/B. Please reproduce them without any changes except under special instruction from Team International USA. The pages must be reproduced and folded in order to obtain a booklet A5 (+/- 148.5 mm width x 210 mm height). When folding, make sure you keep the good numbering when you turn the pages of the I/B. Don't change the page numbering. Keep the language integrity. **Print only what is inside the frame.**



### **Rollie™ Pancake Link**

#### Ingredients:

- 1/4 cup pancake batter
- 1 precooked sausage link

#### Instructions:

- Spray the Rollie™ cooking chamber with non-stick oil spray.
- Place the pancake batter into the cooking chamber.
- Insert the wooden skewer into the center of the precooked sausage link and place the sausage link into center of the batter in the cooking chamber.
- Cook for approximately 8 minutes then pour the product out. Serve with maple syrup.

### **PizzaRollie™**

#### Ingredients:

- 2 pieces biscuit dough
- 1 tablespoon tomato paste or pizza sauce
- 1/4 cup shredded mozzarella cheese
- Toppings of choice cut into small pieces
- Sprinkle of shredded parmesan cheese

#### Instructions:

- Spray the Rollie™ cooking chamber with non-stick oil spray.
- Combine the two piece of biscuit dough into one in hands.
- On a flat surface, lay the biscuit dough and flatten into a thin, round circle about 3-4 inches. Spread a thin layer of tomato paste onto the middle of dough.
- Layer the mozzarella cheese in the middle of the biscuit dough and add chopped toppings of choice. Sprinkle with shredded parmesan cheese if desired over the top of ingredients.
- Roll the biscuit dough tightly together; thin enough to fit into the Rollie™ Eggmaster. Pinch the ends of the roll to seal and place in the cooking chamber. Pack the roll gently with the packer.
- Cook for approximately 6-8 minutes, at this time the product may normally rise out of the cooking chamber; otherwise you may pour the product out.

\* For a crispier finish, turn the roll upside down and place back in the Rollie™ Eggmaster for about 2 minutes.



Fax +1 305 430 9692

Copies of the I/B. Please reproduce them without any changes except under special instruction from Team International USA. The pages must be reproduced and folded in order to obtain a booklet A5 (+/- 148.5 mm width x 210 mm height). When folding, make sure you keep the good numbering when you turn the pages of the I/B. Don't change the page numbering. Keep the language integrity. **Print only what is inside the frame.**



### **Rollie™ Pizza Stick**

#### Ingredients:

1 piece tortilla/wrap

1 teaspoon tomato paste or pizza sauce

¼ cup shredded mozzarella cheese

Any toppings of choice: chopped onions, chopped ham, chopped spinach (be sure to cut toppings to small size)

Salt and pepper to your taste

Pinch of oregano to your taste

#### Instructions:

- Spray the Rollie™ cooking chamber with non-stick oil spray.
- Lay the tortilla on a flat surface and cut into 4 x 6 inches.
- Spread a thin layer of tomato paste onto the middle of tortilla/wrap.
- Place shredded mozzarella cheese, toppings, add a dash of oregano, salt and pepper.
- Roll the tortilla/wrap thin enough to fit in Rollie™ Eggmaster and place in the cooking chamber.
- Cook for approximately 7 minutes then pour the product out.

\* For a crispier finish, turn the roll upside down and place back in the Rollie™ Eggmaster for about 2 minutes.

### **BBQ Pork Rollie™**

#### Ingredients:

2 pieces biscuit dough

3 teaspoons precooked BBQ pork

#### Instructions:

- Spray the Rollie™ cooking chamber with non-stick oil spray.
- Combine the two piece of biscuit dough into one in hands.
- On a flat surface, lay the biscuit dough and flatten into a thin, round circle about 3-4 inches. Layer with BBQ pork.
- Roll the biscuit dough tightly together; thin enough to fit into the Rollie™ Eggmaster. Pinch the ends of the roll to seal and place in the cooking chamber. Pack the roll gently with the packer.
- Cook for approximately 6- 8 minutes, at this time the product may normally rise out of the cooking chamber; otherwise you may pour the product out.

\* For a crispier finish, turn the roll upside down and place back in the Rollie™ Eggmaster for about 2 minutes.





Fax +1 305 430 9692

Copies of the I/B. Please reproduce them without any changes except under special instruction from Team International USA. The pages must be reproduced and folded in order to obtain a booklet A5 (+/- 148.5 mm width x 210 mm height). When folding, make sure you keep the good numbering when you turn the pages of the I/B. Don't change the page numbering. Keep the language integrity. **Print only what is inside the frame.**



### **Ham and Swiss Rollie™**

#### Ingredients:

- 1 piece crescent roll dough
- Mayonnaise or mustard
- 1 slice Virginia ham
- ½ slice Swiss cheese, cut into pieces

#### Instructions:

- Spray the Rollie™ cooking chamber with non-stick oil spray.
- Lay the crescent dough on a flat surface, spread with mayonnaise/mustard and place the ham and cheese in the center of the dough.
- Roll the dough starting from the larger end to smaller end, folding both sides over to close ends, roll very thin in hands to fit in Rollie™ and place in the cooking chamber.
- Cook for approximately 8-10 minutes, at this time the product may normally rise out of the cooking chamber; otherwise you may pour the product out.

\* For a crispier finish, turn the roll upside down and place back in the Rollie™ Eggmaster for about 2 minutes.

### **Cheddar Turkey Rollie™**

#### Ingredients:

- 2 piece biscuit dough
- 1 slice smoked turkey
- ½ slice sharp cheddar cheese, cut into pieces

#### Instructions:

- Spray the Rollie™ cooking chamber with non-stick oil spray.
- Combine the two piece of biscuit dough into one in hands.
- On a flat surface, lay the biscuit dough and flatten into a thin, round circle about 3-4 inches.
- Place the turkey and cheese in the center of the dough.
- Roll the biscuit dough tightly together; thin enough to fit into the Rollie™. Pinch the ends of the roll to seal and place in the cooking chamber. Pack the roll gently with the packer.
- Cook for approximately 8-10 minutes, at this time the product may normally rise out of the cooking chamber; otherwise you may pour the product out.

\* For a crispier finish, turn the roll upside down and place back in the Rollie™ Eggmaster for about 2 minutes.



Fax +1 305 430 9692

Copies of the I/B. Please reproduce them without any changes except under special instruction from Team International USA. The pages must be reproduced and folded in order to obtain a booklet A5 (+/- 148.5 mm width x 210 mm height). When folding, make sure you keep the good numbering when you turn the pages of the I/B. Don't change the page numbering. Keep the language integrity. **Print only what is inside the frame.**



### **Cuban Rollie™**

#### Ingredients:

- 1 piece tortilla/wrap
- 1 slice roasted pork deli meat
- ½ slice Swiss cheese
- 1 slice ham
- 1 teaspoon mustard
- 2 chopped pickles

#### Instructions:

- Spray the Rollie™ cooking chamber with non-stick oil spray.
- Lay the tortilla/wrap on a flat surface and cut into 4 x 6 inches.
- Spread mustard in center of tortilla/wrap and place the ham, pork and cheese and top with pickles cut into small pieces.
- Roll the tortilla/wrap thin enough to fit in Rollie™ and place in the cooking chamber.
- Cook for 6-8 minutes then pour the product out.

\* For a crispier finish, turn the roll upside down and place back in the Rollie™ Eggmaster for about 2 minutes.

### **Vegetable EggRollie™**

#### Ingredients:

- 1 piece wonton wrap
- ¼ cup thinly sliced cabbage
- ¼ cup matchstick carrots (or your choice of vegetables)
- ¼ teaspoon minced ginger to your taste
- 1 teaspoon oyster sauce to your taste

#### Instructions:

- Spray the Rollie™ cooking chamber with non-stick oil spray.
- In a bowl combine ingredients. Roll the mixture in the wonton wrap and place in the cooking chamber.
- Cook for approximately 6-8 minutes then pour the product out. Serve with light soy sauce.

\* For a crispier finish, turn the roll upside down and place back in the Rollie™ Eggmaster for about 2 minutes.



Fax +1 305 430 9692

Copies of the I/B. Please reproduce them without any changes except under special instruction from Team International USA. The pages must be reproduced and folded in order to obtain a booklet A5 (+/- 148.5 mm width x 210 mm height). When folding, make sure you keep the good numbering when you turn the pages of the I/B. Don't change the page numbering. Keep the language integrity. **Print only what is inside the frame.**



### **Tuna Melt Rollie™**

#### Ingredients:

- 2 piece biscuit dough
- 2 tablespoons prepared tuna salad
- ½ slice sharp cheddar cheese

#### Instructions:

- Spray the Rollie™ cooking chamber with non-stick oil spray.
- Combine the two piece of biscuit dough into one in hands.
- On a flat surface, lay the biscuit dough and flatten into a thin, round circle about 3-4 inches. Place the tuna salad and cheese in the center of the dough.
- Roll the biscuit dough tightly together; thin enough to fit into the Rollie™ Eggmaster. Pinch the ends of the roll to seal and place in the cooking chamber. Pack the roll gently with the packer.
- Cook for approximately 6-8 minutes, at this time the product may normally rise out of the cooking chamber; otherwise you may pour the product out.

\* For a crispier finish, turn the roll upside down and place back in the Rollie™ Eggmaster for about 2 minutes.

### **Rollie™ Melt Tortilla**

#### Ingredients:

- 1 piece tortilla/wrap
- 3 tablespoons prepared tuna salad
- ½ slice sharp cheddar cheese, cut into pieces

#### Instructions:

- Spray the Rollie™ cooking chamber with non-stick oil spray.
- Lay the tortilla/wrap on a flat surface and cut into 4 x 6 inches. Place the tuna salad and cheese in the center of the tortilla/wrap.
- Roll the tortilla/wrap thin enough to fit in Rollie™ Eggmaster and place in the cooking chamber.
- Cook for 6-8 minutes then pour the product out.

\* For a crispier finish, turn the roll upside down and place back in the Rollie™ Eggmaster for about 2 minutes.



Fax +1 305 430 9692

Copies of the I/B. Please reproduce them without any changes except under special instruction from Team International USA. The pages must be reproduced and folded in order to obtain a booklet A5 (+/- 148.5 mm width x 210 mm height). When folding, make sure you keep the good numbering when you turn the pages of the I/B. Don't change the page numbering. Keep the language integrity. **Print only what is inside the frame.**



### **Rollie™ Burger dog**

#### Ingredients:

½ lb ground beef- suggested 20% fat content

Pinch of cumin to taste

Salt and pepper to your taste

½ cup chopped onion

Pinch of parsley to your taste

#### Instructions:

- Spray the Rollie™ cooking chamber with non-stick oil spray.
- Mix ingredients in a medium size bowl. Start by shaping a meatball in your hands, and then roll the ball into a tube shape.
- Insert the rolled burger into the cooking chamber, use the supplied packer and pack down the burger gently.
- Only fill half of the cooking chamber with the rolled burger, as juices from fat will fill some of the remaining space.
- It is suggested to insert wooden skewer half way through the burger for easy removal.
- Cook for approximately 6-7 minutes, and pour the product out.

Note: Cook 6 minutes for medium and pink inside, 7-8 minutes for well done.

### **Chocolate Banana Rollie™**

#### Ingredients:

1 piece crescent roll dough

3-4 thin cut slices banana

(May also add strawberries cut into thin slices)

1 tablespoon Nutella

#### Instructions:

- Spray the Rollie™ cooking chamber with non-stick oil spray.
- Lay the crescent dough on a flat surface.
- Spread the Nutella on one side of the dough and layer with sliced banana.
- Roll the dough starting from the larger end to smaller end, folding both sides over to close ends. Roll very thin in hands to fit in Rollie™ Eggmaster and place in the cooking chamber.
- Cook for approximately 10 minutes, at this time the product may normally rise out of the cooking chamber; otherwise you may pour the product out.

\* For a crispier finish, turn the roll upside down and place back in the Rollie™ Eggmaster for about 2 minutes.

Note: Make sure dough is refrigerated and do not let sit out.



Fax +1 305 430 9692

Copies of the I/B. Please reproduce them without any changes except under special instruction from Team International USA. The pages must be reproduced and folded in order to obtain a booklet A5 (+/- 148.5 mm width x 210 mm height). When folding, make sure you keep the good numbering when you turn the pages of the I/B. Don't change the page numbering. Keep the language integrity. **Print only what is inside the frame.**



### **PB&J Rollie™**

#### Ingredients:

- 1 piece crescent roll dough
- 1 tablespoon peanut butter
- 1 tablespoon jelly

#### Instructions:

- Spray the Rollie™ cooking chamber with non-stick oil spray.
- Lay the crescent dough on a flat surface.
- Spread the peanut butter and jelly on one side of the dough.
- Roll the dough starting from the larger end to smaller end, folding both sides over to close ends. Roll very thin in hands to fit in Rollie™ Eggmaster and place in the cooking chamber.
- Cook for approximately 10 minutes, at this time the product may normally rise out of the cooking chamber; otherwise you may pour the product out.

\* For a crispier finish, turn the roll upside down and place back in the Rollie™ Eggmaster for about 2 minutes.

Note: Make sure dough is refrigerated and do not let sit out.

### **Cinnamon Rollie™**

#### Ingredients:

- 1 piece premade cinnamon roll (you can find in your local grocery store, similar to biscuit roll, and crescent dough package)

#### Instructions:

- Spray the Rollie™ cooking chamber with non-stick oil spray.
- Separate 1 piece of the cinnamon roll dough from the package.
- Roll the dough in hand to make tube shape and insert in the cooking chamber.
- Cook for approximately 8 minutes, at this time the product may normally rise out of the cooking chamber; otherwise you may pour the product out. Serve with provided icing.

\* For a crispier finish, turn the roll upside down and place back in the Rollie™ Eggmaster for about 2 minutes.



Fax +1 305 430 9692

Copies of the I/B. Please reproduce them without any changes except under special instruction from Team International USA. The pages must be reproduced and folded in order to obtain a booklet A5 (+/- 148.5 mm width x 210 mm height). When folding, make sure you keep the good numbering when you turn the pages of the I/B. Don't change the page numbering. Keep the language integrity. **Print only what is inside the frame.**



## WARRANTY

We suggest that you complete and return the enclosed Product Registration Card promptly to facilitate verification of the date of original purchase. However, return of the Product Registration Card is not a condition of these warranties. You can also fill out this warranty card online, at the following address: [www.tryrollie.com](http://www.tryrollie.com) or [www.kalorik.com](http://www.kalorik.com).

This Rollie™ product is warranted in the U.S.A. for 1 year from the date of purchase against defects in material and workmanship. This warranty is not transferable. Keep the original sales receipt. Proof of purchase is required to obtain warranty performance.

During this period, if the Rollie™ product, upon inspection by the Manufacturer, is proven defective, it will be repaired or replaced, at Kalorik's option, without charge to the customer. If a replacement product is sent, it will carry the remaining warranty of the original product.

This warranty does not apply to any defect arising from a buyer's or user's misuse of the product, negligence, failure to follow Rollie™ instructions noted in the user's manual, use on current or voltage other than that stamped on the product, wear and tear, alteration or repair not authorized by the Manufacturer, or use for commercial purposes. There is no warranty for accessories in general. There is also no warranty for parts lost by the user.

ANY WARRANTY OF MERCHANTABILITY OR FITNESS WITH RESPECT TO THIS PRODUCT IS ALSO LIMITED TO THE ONE YEAR LIMITED WARRANTY PERIOD.

Some states do not allow limitation on how long an implied warranty lasts or do not allow the exclusion of incidental or consequential damages, so the above limitations may not apply to you. This warranty gives you specific legal rights, and you may also have other rights which vary from state to state.



Fax +1 305 430 9692

Copies of the I/B. Please reproduce them without any changes except under special instruction from Team International USA. The pages must be reproduced and folded in order to obtain a booklet A5 (+/- 148.5 mm width x 210 mm height). When folding, make sure you keep the good numbering when you turn the pages of the I/B. Don't change the page numbering. Keep the language integrity. **Print only what is inside the frame.**



If the appliance should become defective within the warranty period and more than 30 days after date of purchase, do not return the appliance to the store: often, our Customer Service Representatives can help solve the problem without having the product serviced. If servicing is needed, a Representative can confirm whether the product is under warranty and direct you to the nearest service location.

If this is the case, bring the product, or send it, postage prepaid by the user (all Kalorik customers are responsible for the initial shipment back to the warranty center), along **with proof of purchase** and a **return authorization number** indicated on the outer package, given by our Customer Service Representatives. Send to the authorized Rollie™ Service Center (please visit our website at [www.tryrollie.com](http://www.tryrollie.com) or [www.kalorik.com](http://www.kalorik.com), or call our Customer Service Department for the address of our authorized Rollie™ Service Center).

When sending the product, please include a letter explaining the nature of the claimed defect.

If you have additional questions, please call our Customer Service Department (please see below for complete contact information), Monday through Thursday from 9:00am - 5:00pm (EST) and Friday from 9:00am - 4:00pm (EST). Please note hours are subject to change.

If you would like to write, please send your letter to:

**Rollie™ Customer Service Department**

Team International Group of America Inc. dba. Kalorik  
1400 N.W 159th Street, Suite 102  
Miami Gardens, FL 33169 USA

Or call:

Toll Free: +1 888-521-TEAM / +1 888-KALORIK

**Only letters can be accepted at this address above. Shipments and packages that do not have a return authorization number will be refused.**



# **(SP) MANUAL DE INSTRUCCIONES IMPORTANTES MEDIDAS DE SEGURIDAD**

**Siempre que se utilicen aparatos eléctricos, deberán tenerse en consideración importantes medidas básicas de seguridad, incluyendo las que se enumeran a continuación:**

- 1. LEA TODAS LAS INSTRUCCIONES.**
2. Antes de usar el aparato, asegúrese de que el voltaje principal de su servicio eléctrico, corresponde al que está estipulado en la placa de especificaciones del aparato.
3. No toque las superficies calientes. Utilice las manijas y los botones.
4. A los efectos de protegerse contra las descargas eléctricas, no sumerja el cable, el enchufe, o el aparato en agua ni en ningún otro líquido.
5. Mantenerse alerta es indispensable siempre que el aparato sea utilizado por y/o cerca de los niños. Este aparato no deberá ser utilizado por niños.
6. Por favor mantenga el aparato lejos del alcance de los niños y mascotas/animales. Este producto no ha sido ideado para ser utilizado por niños, o personas con discapacidades físicas, sensoriales o mentales, o que carezcan de experiencia o de conocimiento, salvo que -para su seguridad- hayan recibido supervisión o instrucción pertinente para el uso del producto, por parte de una persona responsable. Es necesario ser extremadamente cauteloso siempre que se utilice este producto.
7. Desconéctelo del toma-corriente siempre que no lo esté utilizando o antes de limpiarlo. Espere a que el aparato esté frío antes de limpiarlo.
8. Nunca ponga en funcionamiento un aparato que tenga su cable o su enchufe dañado, o si el aparato no está funcionando apropiadamente, o se ha dañado de alguna manera u otra. Devuelva el aparato a la agencia de servicio autorizada más cercana para su revisión, reparación, o ajuste.
9. El uso de accesorios no recomendados por el fabricante del aparato podría traer como consecuencia daños.





Fax +1 305 430 9692

Copies of the I/B. Please reproduce them without any changes except under special instruction from Team International USA. The pages must be reproduced and folded in order to obtain a booklet A5 (+/- 148.5 mm width x 210 mm height). When folding, make sure you keep the good numbering when you turn the pages of the I/B. Don't change the page numbering. Keep the language integrity. **Print only what is inside the frame.**



10. No utilizarlo afuera/al aire libre.
11. No permita que el cable quede colgando del borde de la mesa o de la mesada, o que esté en contacto con superficies calientes.
12. No coloque el aparato encima o cerca de hornallas a gas o eléctricas calientes, o dentro de un horno caliente.
13. Se debe ser muy cauteloso al mover un aparato que contiene comida caliente, aceite caliente, u otros líquidos calientes.
14. Para desconectar retire el enchufe del toma-corriente.
15. No le dé al aparato otro uso que no sea el indicado
16. Al utilizar este aparato, asegúrese de que haya suficiente espacio arriba y a los lados del mismo para la circulación de aire. Se recomienda colocar el aparato sobre algún material aislante de calor, cuando se lo utilice sobre superficies en las que el calor pudiera causar un problema.
17. No descuide el aparato durante su uso.
18. Utilice siempre el aparato sobre una superficies limpia, plana, sólida y seca. No debe haber materiales plásticos ni manteles entre la superficie y el aparato.
19. Puede ocurrir un incendio si el aparato está cubierto o en contacto con materiales inflamables, incluyendo cortinas, tapicería, paredes, mientras el mismo está en funcionamiento.
20. Dado que el aparato está en contacto directo con alimentos, es absolutamente imprescindible mantener el mismo limpio en todo momento.
21. Tenga cuidado de no rayar la cobertura anti-adhesiva de la cámara de cocción, dado que se podrían encontrar pequeños trozos de dicha cobertura entre los alimentos. Si fuera necesario eliminar restos de alimentos, desenchufe el aparato y utilice solamente el cepillo de limpieza provisto junto con el aparato.
22. El aparato no debe ser puesto en funcionamiento utilizando otros medidores de tiempo u otras unidades remotas.
23. El aparato no debe ser puesto en funcionamiento utilizando una extensión de cable.

## **CONSERVE ESTAS INSTRUCCIONES EXCLUSIVAMENTE PARA USO DOMÉSTICO**



Fax +1 305 430 9692

Copies of the I/B. Please reproduce them without any changes except under special instruction from Team International USA. The pages must be reproduced and folded in order to obtain a booklet A5 (+/- 148.5 mm width x 210 mm height). When folding, make sure you keep the good numbering when you turn the pages of the I/B. Don't change the page numbering. Keep the language integrity. **Print only what is inside the frame.**



## INSTRUCCIONES PARA ENCHUFE POLARIZADO

El aparato está equipado con un enchufe polarizado (una varilla (u hoja) es más ancha que la otra). Para reducir el riesgo de descarga eléctrica, este enchufe va a encajar dentro del toma-corriente polarizado solamente de un modo. Si el enchufe no encaja correctamente dentro del toma-corriente de la primera vez, invértalo. Si aun así no encaja, recurra a un electricista especializado competente. **No trate de modificar el enchufe de ninguna manera.**

## INSTRUCCIONES PARA CABLE CORTO

El aparato está provisto de un cable corto para reducir los daños o accidentes que pueden ocurrir en caso de enganches en dicho cable, o tropezar con un cable de mayor longitud. El aparato o debe ser utilizado con una extensión de cable.

## INTRODUCCIÓN

**La Parrilla Rollie™ Eggmaster** es un aparato muy fácil y simple de usar. Su diseño exclusivo cocina alimentos, y requiere un mínimo espacio en la mesada; puede ser utilizado en casi todas partes.

La Parrilla Rollie™ Eggmaster puede cocinar huevos y otras comidas en una exclusiva variedad de formas, convirtiéndose así en una excelente compañera para el desayuno y meriendas saludables.

### CARACTERÍSTICAS DE LA PARRILLA ROLLIE™ Eggmaster:

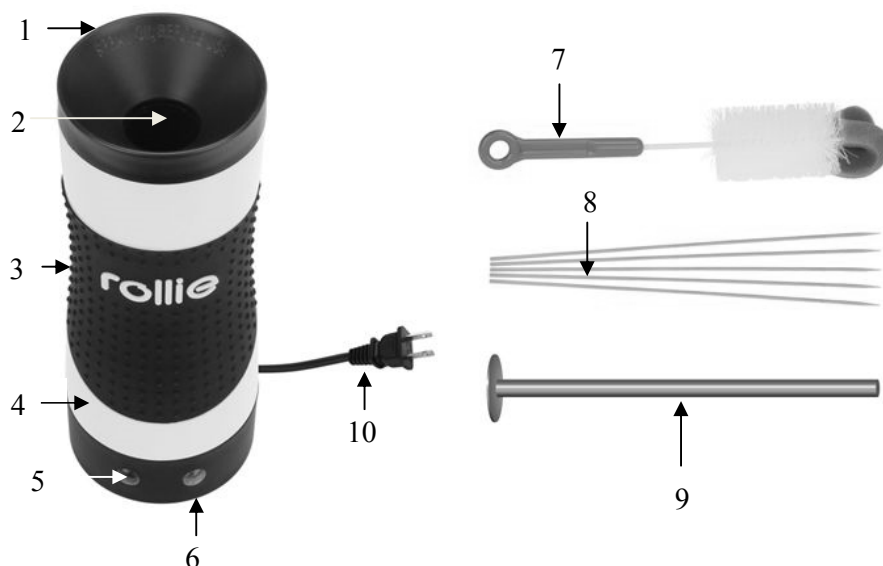
1. **Cámara de Cocción:** Le permite cocinar hasta 2 huevos GRANDES a la vez, y tiene una cobertura anti-adhesiva, lo cual hace que su limpieza y puesta en funcionamiento sean sencillos.
2. **Superficie de manejo fresca al tacto:** Exclusivo caucho de silicona, aislante de calor reducido para un manejo seguro.
3. **Indicador Luminoso:** Cuando el aparato esté encendido la *luz roja* estará en posición **ON**. Cuando Rollie™ Eggmaster esté lista, la *luz verde* estará en posición **ON**.
4. La barra multi-uso "**Packer**" le permite también usar la Parrilla Rollie™ Eggmaster con carne, o masa, haciendo así que Rollie™



Eggmaster sea aún más versátil, a diferencia de cualquier otra parrilla.

5. Rollie™ Eggmaster puede asimismo ser utilizada para hacer **brochetas** (están incluidas 5 brochetas de madera).
6. Está incluido un cepillo de limpieza.
7. **No necesita ser ensamblaje.**

## DESCRIPCIÓN DE PARTES



- |  |  |
|--|--|
| 1. Embudo                              | 7. Cepillo de limpieza                 |
| 2. Cámara de cocción                   | 8. Brochetas de madera (5)             |
| 3. Anillo de silicona, fresco al tacto | 9. Packer                              |
| 4. Carcasa                             | 10. Cable de alimentación y enchufe UL |
| 5. Luz de encendido (Roja)             |  |
| 6. Luz de temperatura (Verde)          |  |

## ANTES DEL PRIMER USO

- Retire todo el envoltorio de protección.



Fax +1 305 430 9692

Copies of the I/B. Please reproduce them without any changes except under special instruction from Team International USA. The pages must be reproduced and folded in order to obtain a booklet A5 (+/- 148.5 mm width x 210 mm height). When folding, make sure you keep the good numbering when you turn the pages of the I/B. Don't change the page numbering. Keep the language integrity. **Print only what is inside the frame.**



- Cuando lo use por primera vez, limpie la superficie de la cámara de cocción siguiendo las instrucciones del párrafo "LIMPIEZA". ¡NO SUMERJA EL APARATO EN EL AGUA!
- Al utilizarse por primera vez, algunas partes de la capa protectora pueden quemarse, causando esto formación de humo.
- Esto NO provocará daño alguno y va a desaparecer luego de un rato.
- Antes de que usted use este aparato por primera vez:
  1. Coloque la Parrilla Rollie™ Eggmaster en una superficie plana, resistente al calor, una superficie uniforme.
  2. Enchufe el aparato in el toma-corriente, y deje que la cámara de cocción se caliente durante 10 minutos hasta que todos los residuos se hayan quemado. Desenchufe, y deje que el aparato se enfríe completamente; luego limpie siguiendo las instrucciones del párrafo "LIMPIEZA".

## PUESTA EN FUNCIONAMIENTO

- Coloque el aparato en una superficie plana, resistente al calor, una superficie pareja.
- Conecte el aparato en un toma-corriente. La luz roja (5) se encenderá, para indicar que el aparato está en posición de encendido (ON)
- La luz piloto verde de temperatura (6) permanecerá apagada (OFF), para indicar que el aparato se está calentando. Cuando la luz piloto verde se enciende, significa que el aparato está listo para ser utilizado.

**Nota:** Durante el uso del aparato, la luz piloto verde se encenderá y se apagará en forma regular.

**Cuidado:** Durante su funcionamiento, la cámara de cocción se calienta. El aparato también puede generar vapor. A los efectos de protegerse, utilice siempre guantes para horno al maniobrar el aparato o al retirar comida del mismo. Trate de evitar el contacto con las superficies calientes.

- Una vez que la luz verde esté encendida (ON) y que la unidad esté lista, utilizar un aceite de cocina en aerosol. Para esto, sostenga la unidad en posición horizontal y aplique un "aceite anti-adhesivo en aerosol" en la cámara de cocción, y luego vuelva la unidad a su posición vertical.



Fax +1 305 430 9692

Copies of the I/B. Please reproduce them without any changes except under special instruction from Team International USA. The pages must be reproduced and folded in order to obtain a booklet A5 (+/- 148.5 mm width x 210 mm height). When folding, make sure you keep the good numbering when you turn the pages of the I/B. Don't change the page numbering. Keep the language integrity. **Print only what is inside the frame.**



### **Puesta en funcionamiento básica**

- Unte la cámara de cocción Rollie™ con aceite anti-adherente en aerosol.
- Casque y abra 1-2 huevos grandes y viértalos directamente en la cámara de cocción.
- Para obtener huevos completamente cocidos, cocine de 6 a 8 minutos aproximadamente; luego de dicho tiempo los huevos normalmente van a leudar saliendo fuera de la cámara de cocción. De lo contrario, usted puede retirar los huevos de la cámara. (Para ello tal vez sea necesario agitar la cámara suavemente, o eventualmente utilizar una brocheta de madera)
- Para obtener huevos semi-chirlos, simplemente retire los huevos fuera de la cámara luego de 5 1/2 minutos de cocción.

Por favor, consulte el libro de recetas *online* en [www.tryrollie.com](http://www.tryrollie.com) para más detalles.

### **CONSEJOS**

- Antes de enchufar la Parrilla Rollie™ Eggmaster en un toma-corriente de pared, asegúrese de que la misma esté completamente limpia.
- Utilice huevos regulares o grandes (para obtener los mejores resultados utilice huevos convencionales sin aditivos.
- Utilice un máximo de 2 huevos grandes por vez.
- Antes de cada uso, ¡utilice preferentemente "ACEITE ANTI-ADHESIVO EN AEROSOL" en la cámara de cocción.
- No mezcle las yemas de huevo con las claras (no bata los huevos), salvo que así lo indique el libro de recetas Rollie™.
- Es normal que haya una diferencia entre la cocción del primer producto y la cocción del siguiente.
- El tiempo de cocción puede variar, dependiendo del tipo de comida, de la temperatura inicial o de la cantidad de comida que va a ser cocinada.
- Las brochetas de madera son muy prácticas y de gran ayuda, y pueden ser utilizadas de muchas formas diferentes:
  - Por ejemplo, cuando se inserta una fajita de harina regular, arrollada, o cualquier producto similar arrollado, dentro de la cámara de cocción, es bueno utilizar una brocheta para empujar el producto dentro de la cámara



de cocción, y que el mismo quede cómodamente apoyada contra las paredes de la cámara y abierto completamente en el medio.

- Las brochetas de madera pueden ser insertadas en la comida durante el ciclo de cocción como ayuda para extraer el producto.
- Utilice solamente brochetas de madera, como las que se proveen con el aparato. Las de metal pueden dañar de un modo permanente la cobertura anti-adhesiva de la cámara de cocción.
- Los huevos pueden ser cocinados en una gran variedad de formas; usted no tiene que esperar hasta que los huevos estén completamente cocidos; los huevos pueden ser vertidos antes o después, según se quiera obtener huevos levemente cocidos, huevos medianamente cocidos, o huevos completamente cocidos (cocción dura).
- Los huevos revueltos aumentan su volumen al ser cocinados. A fin de reducir este efecto, recomendamos mezclar los huevos batidos con galletitas de agua picada (*crakers*), asegurándose de no llenar más de la mitad de la capacidad de la cámara de cocción.
- Todo tipo de comida, y especialmente la carne o las aves, deberán ser completamente descongeladas antes de su cocción.
- Recomendamos el uso de un termómetro para carnes para asegurarse de que la comida está cocida en su totalidad.

## LIMPIEZA

- Antes de limpiar la parrilla, desenchufe y espere hasta que la misma se haya enfriado completamente.
- Limpie la parte exterior del aparato con un trapo suave húmedo.
- Utilizando el cepillo provisto, humedézcalo, y coloque una pequeña cantidad de jabón de vajilla en el mismo, y limpie a fondo la cámara de cocción. Enjuague con agua regular. Puede colocar el aparato boca abajo sobre un papel de toalla seco, y dejar que se seque. Evite que el agua entre en contacto con el cable, el enchufe o las luces de control.
- **NO SUMERJA EL APARATO, EL CABLE, O EL ENCHUFE, EN AGUA NI EN NINGÚN OTRO LÍQUIDO.**



Fax +1 305 430 9692

Copies of the I/B. Please reproduce them without any changes except under special instruction from Team International USA. The pages must be reproduced and folded in order to obtain a booklet A5 (+/- 148.5 mm width x 210 mm height). When folding, make sure you keep the good numbering when you turn the pages of the I/B. Don't change the page numbering. Keep the language integrity. **Print only what is inside the frame.**



- La barra "Packer" puede limpiarse con agua jabonosa tibia. Enjuáguela y séquela inmediatamente.
- No limpie el interior de la cámara de cocción, el exterior de la parrilla, o la barra "packer" con ningún producto abrasivo, almohadillas raspantes, o lana de acero, dado que eso podría dañar la cobertura.
- Si hubiera algún resto comida cocinada, persistente, adherida a la cámara de cocción, recomendamos usar aceite vegetal para en un principio ablandarlo; esperar 5 minutos, y luego tratar de quitarlo con el cepillo provisto, o una brocheta de madera.

## RECETAS

### CONSEJOS ÚTILES:

- La luz roja indica que el aparato está en posición ON (ENCENDIDO). Cuando la luz verde se enciende por primera vez, la Rollie™ Eggmaster está lista para ser usada. La luz verde se encenderá y se apagará durante su uso.
- Asegúrese de usar un aceite anti-adherente en aerosol antes de cada uso
- Se recomienda insertar una brocheta de madera en el centro de la cámara de cocción una vez llena, como ayuda para remover fácilmente el producto.
- Use el apisonador incluido para empujar el producto mientras se llena la cámara de cocción.
- Si el producto comienza a leudar fuera de la cámara de cocción, vierta el producto en un plato para evitar que el producto se derrame luego de leudar completamente
- Luego de remover el producto, usted puede ponerlo boca abajo y re-insertarlo dentro de la cámara de cocción durante 2 minutos para obtener un producto más crocante.
- Limpie la cámara de cocción entre cada uso para una receta diferente.

### Huevos Rollie™

#### Ingredientes:

1 ó 2 huevos grandes

#### Instrucciones:

- Unte la cámara de cocción Rollie™ con aceite anti-adherente en aerosol.
- Casque y abra 1-2 huevos grandes y viértalos directamente en la cámara de cocción.
- Para obtener huevos completamente cocidos, cocine de 6 a 8 minutos aproximadamente; luego de dicho tiempo los huevos normalmente van a leudar saliendo fuera de la cámara de cocción. De lo contrario, usted puede retirar los huevos de la cámara. (Para ello tal vez sea necesario agitar la cámara suavemente, o eventualmente utilizar una brocheta de madera)





Fax +1 305 430 9692

Copies of the I/B. Please reproduce them without any changes except under special instruction from Team International USA. The pages must be reproduced and folded in order to obtain a booklet A5 (+/- 148.5 mm width x 210 mm height). When folding, make sure you keep the good numbering when you turn the pages of the I/B. Don't change the page numbering. Keep the language integrity. **Print only what is inside the frame.**



- Para obtener huevos semi-chirlos, simplemente retire los huevos fuera de la cámara luego de 5 1/2 minutos de cocción.

### **Galletas de Huevo Rollie™**

Ingredientes:

1 huevo grande

Más o menos 5 galletas redondas de 5<sup>3</sup>/<sub>4</sub> pulgadas

1/8 de taza de queso rallado.

Sal y pimienta a gusto

Instrucciones:

- Unte la cámara de cocción Rollie™ con aceite anti-adherente en aerosol.
- En un bol de tamaño mediano, coloque las galletas molidas y agregue el queso. Agregue un huevo grande en el bol y agregue sal y pimienta a gusto. Mezcle todos los ingredientes suavemente hasta unir.
- Vierta la mezcla directamente en la cámara de cocción.
- Cocine aproximadamente durante 5-6 minutos, tiempo éste en que el producto normalmente va a leudar fuera de la cámara de cocción; de lo contrario, usted deberá retirar el producto de la cámara.

\*Para obtener una preparación más crocante, sostenga el rollo boca abajo y colóquelo nuevamente en la Rollie™ Eggmaster durante 2 minutos aproximadamente.

### **Claros de Huevo Rollie™**

Ingredientes:

3 huevos grandes

Instrucciones:

- Unte la cámara de cocción Rollie™ con aceite anti-adherente en aerosol.
- Separe las claras de huevo de las yemas.
- Vierta las claras de huevo directamente dentro de la cámara de cocción.
- Cocine durante 6-8 minutos aproximadamente, tiempo éste en que el producto normalmente va a leudar fuera de la cámara de cocción; de lo contrario, usted deberá retirar el producto de la cámara.

### **Feta y Huevo Rollie™**

Ingredientes:

1 huevo grande

4-5 cubitos de queso feta





Fax +1 305 430 9692

Copies of the I/B. Please reproduce them without any changes except under special instruction from Team International USA. The pages must be reproduced and folded in order to obtain a booklet A5 (+/- 148.5 mm width x 210 mm height). When folding, make sure you keep the good numbering when you turn the pages of the I/B. Don't change the page numbering. Keep the language integrity. **Print only what is inside the frame.**



#### Instrucciones:

- Unte la cámara de cocción Rollie™ con aceite anti-adherente en aerosol.
- Casque y vierta 1 huevo grande directamente en la cámara de cocción. Inserte en una brocheta de madera 4-5 cubos pequeños de queso feta separados aproximadamente 1/2 pulgada uno del otro.
- Inserte la brocheta con el queso en el centro del huevo dentro de la cámara de cocción.
- Cocine durante 6-8 minutos aproximadamente, tiempo éste en que el producto normalmente va a leudar fuera de la cámara de cocción; de lo contrario, usted deberá retirar el producto de la cámara.

#### **Huevo con Panceta Rollie™**

##### Ingredientes:

- 1 huevo grande
- 1 lonja de panceta pre-cocida

##### Instrucciones:

- Unte la cámara de cocción Rollie™ con aceite anti-adherente en aerosol.
- Casque y vierta 1 huevo grande directamente en la cámara de cocción; inserte 1 lonja de panceta pre-cocida en una brocheta de madera, como si usted fuera a coser la lonja
- Inserte la brocheta con la lonja de panceta pre-cocida en el centro del huevo dentro de la cámara de cocción.
- Cocine durante 6-8 minutos aproximadamente, tiempo éste en que el producto normalmente va a leudar fuera de la cámara de cocción; de lo contrario, usted deberá retirar el producto de la cámara.

#### **Huevo y Chorizo Rollie™**

##### Ingredientes:

- 1 huevo grande
- 1 chorizo pre-cocido para desayuno

##### Instrucciones:

- Unte la cámara de cocción Rollie™ con aceite anti-adherente en aerosol.
- Casque y vierta 1 huevo grande directamente en la cámara de cocción.
- Inserte la brocheta de madera en el chorizo pre-cocido y colóquela en el centro del huevo, dentro de la cámara de cocción.
- Cocine durante 5-7 minutos aproximadamente, tiempo éste en que el producto normalmente va a leudar fuera de la cámara de cocción; de lo contrario, usted deberá retirar el producto de la cámara.



Fax +1 305 430 9692

Copies of the I/B. Please reproduce them without any changes except under special instruction from Team International USA. The pages must be reproduced and folded in order to obtain a booklet A5 (+/- 148.5 mm width x 210 mm height). When folding, make sure you keep the good numbering when you turn the pages of the I/B. Don't change the page numbering. Keep the language integrity. **Print only what is inside the frame.**



### **Huevos Envueltos Rollie™**

Ingredientes:

1 huevo grande

Para envolver utilice: 1 rodaja fina de salame, jamón, o carne de su preferencia.

Instrucciones:

- Unte la cámara de cocción Rollie™ con aceite anti-adherente en aerosol.
- Arrolle su "envoltorio" en forma de rollo, de modo tal que se adapte al interior de la Rollie™ Eggmaster.
- Inserte el "envoltorio" arrollado dentro del fondo de la cámara de cocción. Usted puede utilizar una brocheta de madera si es necesario.
- Casque y vierta 1 huevo grande directamente dentro de la cámara de cocción.
- Cocine durante 6-8 minutos aproximadamente, tiempo éste en que el producto normalmente va a leudar fuera de la cámara de cocción; de lo contrario, usted deberá retirar el producto de la cámara.

### **Huevos y Salchicha Rollie™**

Ingredientes:

1 huevo grande

1 salchicha delgada

Instrucciones:

- Unte la cámara de cocción Rollie™ con aceite anti-adherente en aerosol.
- Casque y vierta 1 huevo grande directamente dentro de la cámara de cocción.
- Inserte la brocheta de madera en la salchicha y colóquela en el centro del huevo, dentro de la cámara de cocción.
- Cocine durante 6-8 minutos aproximadamente, tiempo éste en que el producto normalmente va a leudar fuera de la cámara de cocción; de lo contrario, usted deberá retirar el producto de la cámara.

### **Tortilla de Vegetales Rollie™**

Ingredientes:

1 tortilla/envoltorio

3 claras de huevo

1 cucharadita de pimientos/ajíes rojos picados, a gusto

1 cucharadita de pimientos/ajíes verdes picados, a gusto

1 cucharadita de cebolla picada, a gusto

1 cucharadita de espinaca picada, a gusto

Sal y pimienta a gusto



Fax +1 305 430 9692

Copies of the I/B. Please reproduce them without any changes except under special instruction from Team International USA. The pages must be reproduced and folded in order to obtain a booklet A5 (+/- 148.5 mm width x 210 mm height). When folding, make sure you keep the good numbering when you turn the pages of the I/B. Don't change the page numbering. Keep the language integrity. **Print only what is inside the frame.**



#### Instrucciones:

- Unte la cámara de cocción Rollie™ con aceite anti-adherente en aerosol.
- Mezcle todos los ingredientes en un bol mediano.
- Corte la tortilla/envoltorio en 4 x 6 pulgadas and arróllela en forma de rollo, luego insértela en la cámara de cocción.
- Vierta los ingredientes mezclados dentro de la cámara de cocción. Llène hasta 1 pulgada antes del borde de la tortilla/envoltorio.
- Cocine durante 6-8 minutos aproximadamente, tiempo éste en que el producto normalmente va a leudar fuera de la cámara de cocción; de lo contrario, usted deberá retirar el producto de la cámara.

\*Para obtener una preparación más crocante, sostenga el rollo boca abajo y colóquelo nuevamente en la Rollie™ Eggmaster durante 2 minutos aproximadamente.

#### **Tortilla Griega Rollie™**

##### Ingredientes:

- 1 tortilla/envoltorio
- 1/4 de taza de espinaca picada y descongelada
- 1/8 de taza de queso feta picado
- 3 claras de huevo

##### Instrucciones:

- Unte la cámara de cocción Rollie™ con aceite anti-adherente en aerosol.
- Mezcle todos los ingredientes en un bol mediano.
- Corte la tortilla/envoltorio en 4 x 6 pulgadas and arróllela en forma de rollo, luego insértela en la cámara de cocción.
- Vierta los ingredientes mezclados dentro de la cámara de cocción. Llène hasta 1 pulgada antes del borde de la tortilla/envoltorio.
- Cocine durante 6-8 minutos aproximadamente, tiempo éste en que el producto normalmente va a leudar fuera de la cámara de cocción; de lo contrario, usted deberá retirar el producto de la cámara.

\*Para obtener una preparación más crocante, sostenga el rollo boca abajo y colóquelo nuevamente en la Rollie™ Eggmaster durante 2 minutos aproximadamente.

#### **Burrito Desayuno Rollie™**

##### Ingredientes:

- 1 tortilla/envoltorio
- 1 huevo grande
- 1 chorizo pre-cocido picado
- 1 cucharadita de queso rallado



Fax +1 305 430 9692

Copies of the I/B. Please reproduce them without any changes except under special instruction from Team International USA. The pages must be reproduced and folded in order to obtain a booklet A5 (+/- 148.5 mm width x 210 mm height). When folding, make sure you keep the good numbering when you turn the pages of the I/B. Don't change the page numbering. Keep the language integrity. **Print only what is inside the frame.**



#### Instrucciones:

- Unte la cámara de cocción Rollie™ con aceite anti-adherente en aerosol.
- Mezcle todos los ingredientes en un bol mediano.
- Corte la tortilla/envoltorio en 4 x 6 pulgadas and arróllela en forma de rollo, luego insértela en la cámara de cocción.
- Vierta los ingredientes mezclados dentro de la cámara de cocción. Llene hasta 1 pulgada antes del borde de la tortilla/envoltorio.
- Cocine durante 6-8 minutos aproximadamente, tiempo éste en que el producto normalmente va a leudar fuera de la cámara de cocción; de lo contrario, usted deberá retirar el producto de la cámara.

\*Para obtener una preparación más crocante, sostenga el rollo boca abajo y colóquelo nuevamente en la Rollie™ Eggmaster durante 2 minutos aproximadamente.

#### Tortilla Rollie™ Ahumada

##### Ingredientes:

- 1 tortilla/envoltorio
- 1 huevo grande
- 1 cucharadita de trucha picada o de salmón picado
- 1-2 cucharaditas de queso de cabra picado
- 1-2 cucharaditas de cebolla roja caramelizada picada o cebolla cruda picada
- Sal y pimienta a gusto

##### Instrucciones:

- Unte la cámara de cocción Rollie™ con aceite anti-adherente en aerosol.
- Mezcle todos los ingredientes en un bol mediano.
- Corte la tortilla/envoltorio en 4 x 6 pulgadas and arróllela en forma de rollo, luego insértela en la cámara de cocción.
- Vierta los ingredientes mezclados dentro de la cámara de cocción. Llene hasta 1 pulgada antes del borde de la tortilla/envoltorio.
- Cocine durante 8 minutos aproximadamente, tiempo éste en que el producto normalmente va a leudar fuera de la cámara de cocción; de lo contrario, usted deberá retirar el producto de la cámara.

\*Para obtener una preparación más crocante, sostenga el rollo boca abajo y colóquelo nuevamente en la Rollie™ Eggmaster durante 2 minutos aproximadamente.



Fax +1 305 430 9692

Copies of the I/B. Please reproduce them without any changes except under special instruction from Team International USA. The pages must be reproduced and folded in order to obtain a booklet A5 (+/- 148.5 mm width x 210 mm height). When folding, make sure you keep the good numbering when you turn the pages of the I/B. Don't change the page numbering. Keep the language integrity. **Print only what is inside the frame.**



### **B.C.T. Rollie™**

#### Ingredientes:

- 1 tortilla/envoltorio
- 1 huevo grande
- 1 cucharadita de queso rallado
- 1 cucharadita de panceta picada pre-cocida
- Sal y pimienta a gusto

#### Instrucciones:

- Unte la cámara de cocción Rollie™ con aceite anti-adherente en aerosol.
- Mezcle todos los ingredientes en un bol mediano.
- Corte la tortilla/envoltorio en 4 x 6 pulgadas and arróllela en forma de rollo, luego insértela en la cámara de cocción.
- Vierta los ingredientes mezclados dentro de la cámara de cocción. Llene hasta 1 pulgada antes del borde de la tortilla/envoltorio.
- Cocine durante 8 minutos aproximadamente, tiempo éste en que el producto normalmente va a leudar fuera de la cámara de cocción; de lo contrario, usted deberá retirar el producto de la cámara.

\*Para obtener una preparación más crocante, sostenga el rollo boca abajo y colóquelo nuevamente en la Rollie™ durante 2 minutos aproximadamente.

### **Tostada Francesa Rollie™**

#### Ingredientes (para 2 porciones)

- 4 rodajas de pan blanco, cortado en pequeños cubos
- 1 huevo grande, batido
- ½ cucharadita de extracto de vainilla
- ½ cucharadita de canela en polvo, o a gusto
- ¼ de taza de leche
- 2 cucharaditas de azúcar

#### Instrucciones:

- Unte la cámara de cocción Rollie™ con aceite anti-adherente en aerosol.
- Mezcle todos los ingredientes juntos en un bol. Asegúrese de que el pan esté embebido en la mezcla.
- Coloque la mezcla en la cámara de cocción y presiones con el apisonador mientras vaya llenando. Llene aproximadamente hasta el borde, donde dice "Rollie" y luego presione con el apisonador otra vez.
- Cocine durante 5-6 minutos aproximadamente, tiempo éste en que el producto normalmente va a leudar fuera de la cámara de cocción; de lo contrario, usted deberá retirar el producto de la cámara.
- Sirva con jarabe de arce.



Fax +1 305 430 9692

Copies of the I/B. Please reproduce them without any changes except under special instruction from Team International USA. The pages must be reproduced and folded in order to obtain a booklet A5 (+/- 148.5 mm width x 210 mm height). When folding, make sure you keep the good numbering when you turn the pages of the I/B. Don't change the page numbering. Keep the language integrity. **Print only what is inside the frame.**



### **Panqueque-Chorizo Rollie™**

#### Ingredientes:

- 1/4 de taza de masa para panqueques
- 1 chorizo pre-cocido

#### Instrucciones:

- Unte la cámara de cocción Rollie™ con aceite anti-adherente en aerosol.
- Coloque la masa para panqueques dentro de la cámara de cocción.
- Inserte la brocheta de madera en el centro del chorizo pre-cocido y coloque el chorizo en el centro de la masa dentro de la cámara de cocción.
- Cocine durante 8 minutos aproximadamente y luego retire el producto. Sirva con jarabe de arce.

### **PizzaRollie™**

#### Ingredientes:

- 2 trozos de masa de bizcochos
- 1 cucharada de pasta de tomates o salsa para pizza
- 1/4 de taza de queso mozzarella rallado
- Ingredientes para cubrir a gusto, cortados en trozos pequeños.
- Queso parmesano rallado para espolvorear

#### Instrucciones:

- Unte la cámara de cocción Rollie™ con aceite anti-adherente en aerosol.
- Una los 2 trozos de masa de bizcochos en 1 trozo único en la mano.
- En una superficie plana, estire la masa de bizcochos y presiónela de modo de obtener una circunferencia fina de aproximadamente 3-4 pulgadas.
- Unte el centro de la circunferencia con la pasta de tomate.
- Distribuya el queso mozzarella en el medio de la masa de bizcochos y agregue los ingredientes para cubrir de su gusto, previamente picados. Espolvoree el queso parmesano rallado por encima de los ingredientes si así lo desea.
- Arrolle la masa de bizcochos presionando bien, lo suficientemente fina como para que entre en la Rollie™ Eggmaster. Presione los extremos del rollo y colóquelo en la cámara de cocción. Presione el rollo suavemente con el apisonador.
- Cocine durante 6-8 minutos aproximadamente, tiempo éste en que el producto normalmente va a leudar fuera de la cámara de cocción; de lo contrario, usted deberá retirar el producto de la cámara.

\*Para obtener una preparación más crocante, sostenga el rollo boca abajo y colóquelo nuevamente en la Rollie™ Eggmaster durante 2 minutos aproximadamente.



Fax +1 305 430 9692

Copies of the I/B. Please reproduce them without any changes except under special instruction from Team International USA. The pages must be reproduced and folded in order to obtain a booklet A5 (+/- 148.5 mm width x 210 mm height). When folding, make sure you keep the good numbering when you turn the pages of the I/B. Don't change the page numbering. Keep the language integrity. **Print only what is inside the frame.**



### **Barra de Pizza Rollie™**

#### Ingredientes:

1 tortilla/envoltorio

1 cucharadita de pasta de tomate o salsa para pizza

¼ de taza de queso mozzarella rallado

Ingredientes para cubrir a gusto: cebollas picadas, jamón picado, espinaca picada (asegúrese de picar dichos ingredientes en trocitos pequeños)

Sal y pimienta a gusto

Una pizca de orégano a gusto

#### Instrucciones:

- Unte la cámara de cocción Rollie™ con aceite anti-adherente en aerosol.
- Coloque la tortilla en una superficie plana y córtela en 4x6 pulgadas.
- Unte el centro de la tortilla/envoltorio con la pasta de tomate.
- Coloque el queso mozzarella rallado, los ingredientes para cubrir, agregue una pizca de orégano, sal y pimienta.
- Arrolle la tortilla/envoltorio lo suficientemente fina como para entrar en la Rollie™ Eggmaster y colóquela en la cámara de cocción.
- Cocine durante 7 minutos aproximadamente y luego vierta el producto.

\*Para obtener una preparación más crocante, sostenga el rollo boca abajo y colóquelo nuevamente en la Rollie™ Eggmaster durante 2 minutos aproximadamente.

### **Cerdo Asado Rollie™**

#### Ingredientes:

2 piezas de masa de bizcochos

3 cucharaditas de cerdo asado per-cocido

#### Instrucciones:

- Unte la cámara de cocción Rollie™ con aceite anti-adherente en aerosol.
- Una los 2 trozos de masa de bizcochos en 1 trozo único en la mano.
- En una superficie plana, estire la masa de bizcochos y presiónela de modo de obtener una circunferencia fina de aproximadamente 3-4 pulgadas.
- Cubrir con el cerdo asado.
- Arrolle la masa de bizcochos presionando bien, lo suficientemente fina como para que entre en la Rollie™. Presione los extremos del rollo y colóquelo en la cámara de cocción. Presione el rollo suavemente con el apisonador.
- Cocine durante 8-10 minutos aproximadamente, tiempo éste en que el producto normalmente va a leudar fuera de la cámara de cocción; de lo contrario, usted deberá retirar el producto de la cámara.

\*Para obtener una preparación más crocante, sostenga el rollo boca abajo y colóquelo nuevamente en la Rollie™ Eggmaster durante 2 minutos aproximadamente.



Fax +1 305 430 9692

Copies of the I/B. Please reproduce them without any changes except under special instruction from Team International USA. The pages must be reproduced and folded in order to obtain a booklet A5 (+/- 148.5 mm width x 210 mm height). When folding, make sure you keep the good numbering when you turn the pages of the I/B. Don't change the page numbering. Keep the language integrity. **Print only what is inside the frame.**



### **Jamón y Suizo Rollie™**

#### Ingredientes:

- 1 trozo de masa para medialunas (*croissants*)
- Mayonesa o mostaza
- 1 tajada de jamón Virginia
- ½ tajada de queso Suizo, cortado en trozos

#### Instrucciones:

- Unte la cámara de cocción Rollie™ con aceite anti-adherente en aerosol.
- Colocar la masa para medialunas en una superficies plana, untar con mayonesa/ mostaza, y colocar el jamón y el queso en el centro de la masa.
- Arrolle la masa comenzando por el extremo más grande hacia el extremo más pequeño, plegando ambos lados para cerrar. Arrolle bien fino como para que entre en Rollie™ Eggmaster y coloque en la cámara de cocción.
- Cocine durante 8-10 minutos aproximadamente, tiempo éste en que el producto normalmente va a leudar fuera de la cámara de cocción; de lo contrario, usted deberá retirar el producto de la cámara.

\*Para obtener una preparación más crocante, sostenga el rollo boca abajo y colóquelo nuevamente en la Rollie™ Eggmaster durante 2 minutos aproximadamente.

### **Pavo y Cheddar Rollie™**

#### Ingredientes:

- 2 trozos de masa de bizcochos
- 1 tajada de pavo ahumado
- ½ tajada de queso cheddar fuerte, cortado en trozos

#### Instrucciones:

- Unte la cámara de cocción Rollie™ con aceite anti-adherente en aerosol.
- Una los 2 trozos de masa de bizcochos en 1 trozo único en la mano.
- En una superficie plana, estire la masa de bizcochos y presiónela de modo de obtener una circunferencia fina de aproximadamente 3-4 pulgadas.
- Coloque el pavo y el queso en el centro de la masa.
- Arrolle la masa de bizcochos apretándola, y de modo que esté lo suficientemente fina para entrar en la Rollie™ Eggmaster. Presione los extremos del rollo para sellar y colóquelo en la cámara de cocción. Presione los extremos del rollo y colóquelo en la cámara de cocción. Presione el rollo suavemente con el apisonador.
- Cocine durante 6-8 minutos aproximadamente, tiempo éste en que el producto normalmente va a leudar fuera de la cámara de cocción; de lo contrario, usted deberá retirar el producto de la cámara.

\*Para obtener una preparación más crocante, sostenga el rollo boca abajo y colóquelo nuevamente en la Rollie™ Eggmaster durante 2 minutos aproximadamente.





Fax +1 305 430 9692

Copies of the I/B. Please reproduce them without any changes except under special instruction from Team International USA. The pages must be reproduced and folded in order to obtain a booklet A5 (+/- 148.5 mm width x 210 mm height). When folding, make sure you keep the good numbering when you turn the pages of the I/B. Don't change the page numbering. Keep the language integrity. **Print only what is inside the frame.**



## Cubano Rollie™

### Ingredientes:

- 1 tortilla/envoltorio
- 1 lonja de fiambre de cerdo asado
- 1/2 lonja de queso Suizo
- 1 lonja de jamón
- 1 cucharadita de mostaza
- 2 encurtidos (*pickles*) picados

### Instrucciones:

- Unte la cámara de cocción Rollie™ con aceite anti-adherente en aerosol.
- Coloque la tortilla/envoltorio en una superficie plana y córtela en 4 x 6 pulgadas,
- Unte con mostaza el centro de la tortilla of tortilla/wrap y coloque el jamón, el cerdo y el queso, y cubra con los encurtidos (*pickles*) cortados en trozos pequeños.
- Arrolle la tortilla lo suficientemente fina para que entre en Rollie™ Eggmaster y colóquela en la cámara de cocción.
- Cocine durante 6-8 minutos y luego retire el producto.

\*Para obtener una preparación más crocante, sostenga el rollo boca abajo y colóquelo nuevamente en la Rollie™ Eggmaster durante 2 minutos aproximadamente.

## EggRollie™ de Vegetales

### Ingredientes:

- 1 envoltorio *wonton*
- 1/4 de taza de repollo picado fino
- 1/4 de taza de palillos
- 1/4 de cucharadita de jengibre picado a gusto.
- 1 cucharadita de salsa de ostras, a gusto.

### Instrucciones:

- Unte la cámara de cocción Rollie™ con aceite anti-adherente en aerosol.
- Combine los ingredientes en un bol. Arrolle la mezcla en el envoltorio *wonton* y colóquelo en la cámara de cocción.
- Cocine aproximadamente 6-8 minutos, y luego retire el producto.
- Sirva con salsa de soya liviana.

\*Para obtener una preparación más crocante, sostenga el rollo boca abajo y colóquelo nuevamente en la Rollie™ Eggmaster durante 2 minutos aproximadamente.



Fax +1 305 430 9692

Copies of the I/B. Please reproduce them without any changes except under special instruction from Team International USA. The pages must be reproduced and folded in order to obtain a booklet A5 (+/- 148.5 mm width x 210 mm height). When folding, make sure you keep the good numbering when you turn the pages of the I/B. Don't change the page numbering. Keep the language integrity. **Print only what is inside the frame.**



## Sandwich de Atún Rollie™

### Ingredientes:

- 2 piezas de masa para bizcochos
- 2 cucharadas de ensalada de atún preparada
- ½ lonja de queso cheddar fuerte

### Instrucciones:

- Unte la cámara de cocción Rollie™ con aceite anti-adherente en aerosol.
- Una los 2 trozos de masa de bizcochos en 1 trozo único en la mano.
- En una superficie plana, estire la masa de bizcochos y presiónela de modo de obtener una circunferencia fina de aproximadamente 3-4 pulgadas.
- Coloque la ensalada de atún y el queso cheddar en el centro de la masa.
- Arrolle la tortilla lo suficientemente fina para que entre en Rollie™ Eggmaster y colóquela en la cámara de cocción.  
Presione los extremos del rollo para sellar y colóquelo en la cámara de cocción. Presione el rollo suavemente con el apisonador.
- Cocine durante 6-8 minutos aproximadamente, tiempo éste en que el producto normalmente va a leudar fuera de la cámara de cocción; de lo contrario, usted deberá retirar el producto de la cámara.

\*Para obtener una preparación más crocante, sostenga el rollo boca abajo y colóquelo nuevamente en la Rollie™ Eggmaster durante 2 minutos aproximadamente.

## Tortilla Sandwich Rollie™

### Ingredientes:

- 1 tortilla/envoltorio
- 3 cucharadas de ensalada de atún preparada
- ½ lonja de queso cheddar fuerte, cortado en trozos.

### Instrucciones:

- Unte la cámara de cocción Rollie™ con aceite anti-adherente en aerosol.
- Coloque la tortilla en una superficie plana y coloque el queso en el centro de la tortilla.
- Arrolle la tortilla lo suficientemente fina para que entre en Rollie™ Eggmaster y colóquela en la cámara de cocción.
- Cocine durante 6-8 minutos y luego retire el producto.

\*Para obtener una preparación más crocante, sostenga el rollo boca abajo y colóquelo nuevamente en la Rollie™ Eggmaster durante 2 minutos aproximadamente.



Fax +1 305 430 9692

Copies of the I/B. Please reproduce them without any changes except under special instruction from Team International USA. The pages must be reproduced and folded in order to obtain a booklet A5 (+/- 148.5 mm width x 210 mm height). When folding, make sure you keep the good numbering when you turn the pages of the I/B. Don't change the page numbering. Keep the language integrity. **Print only what is inside the frame.**



## Hamburguesa Rollie™

### Ingredientes:

½ libra de carne picada - sugerencia: contenido 20% de grasa

Una pizca de comino, a gusto

Sal y pimienta a gusto

½ taza de cebolla picada

Una pizca de perejil, a gusto

### Instrucciones:

- Unte la cámara de cocción Rollie™ con aceite anti-adherente en aerosol.
- Mezcle los ingredientes en un bol mediano. Comience a formar una albóndiga redonda en la mano, y luego dele forma de tubo.
- Inserte la hamburguesa dentro de la cámara de cocción, utilice el apisonador y presione suavemente la hamburguesa. Le sugerimos que inserte una brocheta de madera hasta la mitad de la hamburguesa para que sea fácil retirarla luego.
- Solamente llene la mitad de la cámara de cocción con la hamburguesa arrollada, dado que los jugos de la grasa ocuparán parte del espacio restante.
- Cocine durante 6-8 minutos aproximadamente, tiempo éste en que el producto normalmente va a leudar fuera de la cámara de cocción; de lo contrario, usted deberá retirar el producto de la cámara.

Nota: Cocine durante 6 minutos para una cocción mediana y color rosa interior, y 7-8 minutos para cocción completa.

## Banana Chocolate Rollie™

### Ingredientes:

1 trozo de masa para medialunas (*croissants*)

3-4 rodajas finas de banana

(Usted puede también añadir frutillas cortadas en rodajas)

1 cucharada de Nutella

### Instrucciones:

- Unte la cámara de cocción Rollie™ con aceite anti-adherente en aerosol.
- Coloque la masa de medialunas en una superficie plana.
- Unte la Nutella en un lado de la masa y cubra las rodajas de banana.
- Arrolle la masa comenzando por el extremo más grande hacia el extremo más pequeño, plegando ambos lados para cerrar. Arrolle bien fino como para que entre en Rollie™ Eggmaster y coloque en la cámara de cocción.
- Cocine durante 10 minutos aproximadamente, tiempo éste en que el producto normalmente va a leudar fuera de la cámara de cocción; de lo contrario, usted deberá retirar el producto de la cámara.

\*Para obtener una preparación más crocante, sostenga el rollo boca abajo y colóquelo nuevamente en la Rollie™ Eggmaster durante 2 minutos aproximadamente.

**Nota:** Asegúrese de que la masa esté refrigerada y no la deje estacionar.



Fax +1 305 430 9692

Copies of the I/B. Please reproduce them without any changes except under special instruction from Team International USA. The pages must be reproduced and folded in order to obtain a booklet A5 (+/- 148.5 mm width x 210 mm height). When folding, make sure you keep the good numbering when you turn the pages of the I/B. Don't change the page numbering. Keep the language integrity. **Print only what is inside the frame.**



### **PB&J Rollie™**

#### Ingredientes:

- 1 trozo de masa de medialunas (*croissants*)
- 1 cucharada de manteca de maní
- 1 cucharada de jalea

#### Instrucciones:

- Unte la cámara de cocción Rollie™ con aceite anti-adherente en aerosol.
- Coloque la masa para medialunas sobre una superficie plana.
- Unte la manteca de maní y la jalea en un lado de la masa.
- Arrolle la masa comenzando por el extremo más grande hacia el extremo más pequeño, plegando ambos lados para cerrar. Arrolle bien fino como para que entre en Rollie™ Eggmaster y coloque en la cámara de cocción.
- Cocine durante 10 minutos aproximadamente, tiempo éste en que el producto normalmente va a leudar fuera de la cámara de cocción; de lo contrario, usted deberá retirar el producto de la cámara.

\*Para obtener una preparación más crocante, sostenga el rollo boca abajo y colóquelo nuevamente en la Rollie™ Eggmaster durante 2 minutos aproximadamente.

Nota: Asegúrese de que la masa esté refrigerada y no la deje estacionar.

### **Canela Rollie™**

#### Ingredientes:

- 1 bollo de canela pre-hecho (usted puede encontrarlos en un supermercado cercano, lo mismo que los bollos de bizcochos y el paquete de masa para medialunas)

#### Instrucciones:

- Unte la cámara de cocción Rollie™ con aceite anti-adherente en aerosol.
- Separe 1 pieza de la masa de bollos de canela del paquete.
- Arrolle la masa en su mano dándole forma de tubo e insértela en la cámara de cocción.
- Cocine durante 8 minutos aproximadamente, tiempo éste en que el producto normalmente va a leudar fuera de la cámara de cocción; de lo contrario, usted deberá retirar el producto de la cámara.  
Sirva con el glaseado que viene incluido.

\*Para obtener una preparación más crocante, sostenga el rollo boca abajo y colóquelo nuevamente en la Rollie™ Eggmaster durante 2 minutos aproximadamente.



Fax +1 305 430 9692

Copies of the I/B. Please reproduce them without any changes except under special instruction from Team International USA. The pages must be reproduced and folded in order to obtain a booklet A5 (+/- 148.5 mm width x 210 mm height). When folding, make sure you keep the good numbering when you turn the pages of the I/B. Don't change the page numbering. Keep the language integrity. **Print only what is inside the frame.**



## GARANTÍA

Le sugerimos rellenen y nos envíen rápidamente la Tarjeta de Registro de Producto adjunta para facilitar la verificación de la fecha de compra. Por lo tanto, la devolución de esa Tarjeta de Registro de Producto no es una condición imprescindible para la aplicación de esa garantía. Puede también rellenar dicha tarjeta de garantía en línea en la dirección siguiente: [www.tryrollie.com](http://www.tryrollie.com) o [www.kalorik.com](http://www.kalorik.com).

A partir de la fecha de compra, este producto Rollie™ está garantizado un año contra los defectos materiales y de fabricación, en los Estados Unidos. Esta garantía no es transferible. Conserve la prueba de compra original. Se exige una prueba de compra para obtener la aplicación de la garantía.

Durante este período, si el producto Rollie™ después de una inspección por parte de el fabricante, se manifiesta defectuoso, será reparado o reemplazado, según lo que decida Rollie™, sin gastos para el consumidor. Si se envía un producto de reemplazo, se aplicará la garantía que queda del producto original.

Esta garantía no se aplica a los defectos causados por una mala utilización por parte del comprador o del usuario, o una negligencia al no respeto del manual de instrucciones Rollie™, o una utilización en un circuito eléctrico cuyo voltaje es diferente al que figura en el producto, o un desgaste normal, o modificaciones o reparaciones no autorizadas por el fabricante, o por un uso con fines comerciales. No existe garantía por los accesorios en general. No existe tampoco garantía por las piezas perdidas por el usuario.

Toda garantía de valor comercial o de adaptabilidad a este producto está limitada a un año también.

Algunos estados no ponen límites a la duración de la garantía tácita o no autorizan la exclusión de daños y perjuicios accesorios o indirectos, por lo que puede que las restricciones anteriormente mencionadas no le sean aplicables a Usted. Esta garantía le otorga derechos legales particulares, pero usted puede tener también otros



Fax +1 305 430 9692

Copies of the I/B. Please reproduce them without any changes except under special instruction from Team International USA. The pages must be reproduced and folded in order to obtain a booklet A5 (+/- 148.5 mm width x 210 mm height). When folding, make sure you keep the good numbering when you turn the pages of the I/B. Don't change the page numbering. Keep the language integrity. **Print only what is inside the frame.**



derechos que varían de un estado a otro y algunos derechos pueden variar de un estado a otro.

Si el aparato tuviera un defecto durante el periodo de garantía y / o más de 30 días después de que se compró, no devuelva el aparato en la tienda donde le compró: a menudo, nuestro Servicio al Consumidor puede ayudar a resolver el problema sin que el producto tenga que ser reparado. Si hace falta una reparación, uno de nuestros representantes puede confirmar si el producto está bajo garantía y dirigirle al servicio post-venta más próximo.

Si fuera el caso, traiga el producto (o envíelo, correctamente franqueado) con la **prueba de compra** que mencione **el número de autorización de devolución** indicado por nuestro Servicio al Consumidor, al servicio post-venta Rollie™ más próximo. (Visite nuestra web [www.tryrollie.com](http://www.tryrollie.com) o [www.kalorik.com](http://www.kalorik.com), o llame al Servicio al Consumidor para obtener la dirección del Servicio post-venta Rollie™ exclusivo más próximo).

Si envía el producto, le rogamos añadan una carta explicando la naturaleza del defecto.

Si tiene preguntas adicionales, por favor llame al Servicio al Consumidor (véase abajo para los datos completos), de lunes a jueves, de las 9:00 a las 17:00 (EST), y el viernes de las 9:00 a las 16:00 (EST). Note que las horas pueden ser modificadas.

Si quiere escribirnos, puede hacerlo a la dirección siguiente:

**Rollie™ Servicio al Consumidor**

Team International Group of America Inc. dba. Kalorik  
1400 N.W 159th Street, Suite 102  
Miami Gardens, FL 33169 USA

O llame gratuitamente (U.S.A.) al +1 888-521-TEAM / +1 888-KALORIK.

**Las cartas se aceptan solamente en la dirección anteriormente mencionada. Los envíos y paquetes que no tengan número de autorización de devolución serán rechazados.**



## **(FR) MODE D'EMPLOI**

# **CONSIGNES DE SECURITE**

**Pour utiliser un appareil électrique, des précautions élémentaires sont à respecter, telles que celles énumérées ci-dessous :**

- 1. LISEZ L'ENSEMBLE DES INSTRUCTIONS.**
2. Avant d'utiliser l'appareil, vérifiez que la tension du réseau correspond bien à celle notée sur la plaque signalétique.
3. Ne touchez pas les surfaces chaudes. Manipulez les poignées et les boutons.
4. Pour écarter les risques d'électrocution, n'immergez pas le cordon, la fiche ou l'appareil dans l'eau ou dans tout autre liquide.
5. Faites particulièrement attention lorsque l'appareil est utilisé par ou en présence d'enfants. L'appareil n'est pas conçu pour être utilisé par des enfants.
6. Gardez hors de portée des enfants et animaux domestiques. Cet appareil n'est pas conçu pour être utilisé par des enfants, ou des personnes aux facultés mentales ou motrices réduites, ou sans expérience, à moins que ceux-ci ne soient supervisés ou aient été formés à l'usage de ce produit, par une personne responsable de leur sécurité. Faites particulièrement attention en utilisant cet appareil.
7. Débranchez l'appareil de la prise murale lorsqu'il n'est pas utilisé ou avant de le nettoyer. Laissez refroidir avant de le nettoyer.
8. Ne faites pas fonctionner l'appareil si son cordon ou sa fiche est endommagé ou si l'appareil a présenté un dysfonctionnement ou est endommagé. Retournez l'appareil au centre de service agréé pour le faire vérifier ou réparer.
9. L'utilisation d'accessoires non recommandés par le fabricant présente des risques d'incendie, d'électrocution ou de blessure.
10. N'utilisez pas l'appareil à l'extérieur.
11. Ne laissez pas le cordon pendre de la table ou d'un comptoir et évitez qu'il touche une surface chaude.
12. Ne placez pas l'appareil sur ou près d'un brûleur à gaz ou électrique ou dans un four chaud.



Fax +1 305 430 9692

Copies of the I/B. Please reproduce them without any changes except under special instruction from Team International USA. The pages must be reproduced and folded in order to obtain a booklet A5 (+/- 148.5 mm width x 210 mm height). When folding, make sure you keep the good numbering when you turn the pages of the I/B. Don't change the page numbering. Keep the language integrity. **Print only what is inside the frame.**



13. Soyez extrêmement prudent lorsque vous déplacez un appareil contenant de la nourriture chaude, de l'huile chaude ou d'autres liquides chauds.
14. Pour déconnecter l'appareil, débranchez-le de la prise murale.
15. N'utilisez pas cet appareil à des fins autres que celles pour lesquelles il est conçu.
16. Assurez-vous qu'il y ait assez d'espace libre autour de l'appareil lorsqu'il est en fonctionnement afin qu'il y ait suffisamment de circulation l'air.
17. Ne laissez pas l'appareil sans surveillance lorsqu'il est en fonctionnement
18. Si vous utilisez l'appareil sur une surface où la chaleur pose problème, il est conseillé de placer un support thermorésistant sous l'appareil.
19. Utilisez toujours l'appareil sur une surface propre, plane, dure et sèche. Assurez-vous qu'il n'y ait pas de matériaux tels qu'une nappe ou du plastique entre l'appareil et la surface sur laquelle il est posé. Veillez à ce que l'appareil ne rentre pas en contact avec des matériaux facilement inflammables comme les rideaux, les tissus,... lorsqu'il est en fonctionnement car le feu pourrait se déclarer.
20. Il est indispensable de garder cet appareil propre étant donné qu'il est en contact direct avec la nourriture.
21. Veillez à ne pas griffer le revêtement antiadhésif de la chambre de cuisson car il perdrait alors son caractère antiadhésif. S'il est nécessaire de gratter les plaques, débranchez l'appareil et n'utilisez que la brosse de nettoyage fournie par le fabricant.
22. Ne tentez pas de faire fonctionner cet appareil en utilisant un système de minuterie externe, ou de contrôle à distance
23. Ne tentez pas de faire fonctionner cet appareil en le branchant sur une rallonge électrique.

## **CONSERVEZ CES INSTRUCTIONS USAGE DOMESTIQUE UNIQUEMENT**





Fax +1 305 430 9692

Copies of the I/B. Please reproduce them without any changes except under special instruction from Team International USA. The pages must be reproduced and folded in order to obtain a booklet A5 (+/- 148.5 mm width x 210 mm height). When folding, make sure you keep the good numbering when you turn the pages of the I/B. Don't change the page numbering. Keep the language integrity. **Print only what is inside the frame.**



## INSTRUCTIONS POUR LES FICHES POLARISÉES

Cet appareil est équipé d'une prise polarisée (une des deux tiges métalliques est plus longue que l'autre). Pour réduire le risque de choc électrique, cette prise ne peut être introduite que d'une seule façon dans la fiche murale. Si cette prise ne rentre pas correctement dans la fiche, retournez-la. Si elle ne rentre toujours pas, contactez un électricien qualifié et reconnu. **N'essayez jamais de modifier vous-même la prise polarisée.**

## CONSIGNES CONCERNANT LE CORDON

Le cordon d'alimentation de l'appareil est un cordon de type court, et ce afin de diminuer les risques d'accidents (chute si vous marchez sur le cordon...). Ne branchez pas l'appareil en utilisant une rallonge électrique.

## INTRODUCTION

**Le Grill Rollie™ Eggmaster** est un appareil simple et pratique, dont la conception unique permet de cuire toutes sortes d'aliments dans un espace extrêmement réduit, et qui peut être utilisé n'importe où.

Le grill Rollie™ Grill cuit des œufs et d'autres plats de nombreuses façons différentes, ce qui en fait le compagnon idéal du petit-déjeuner ou des snacks légers.

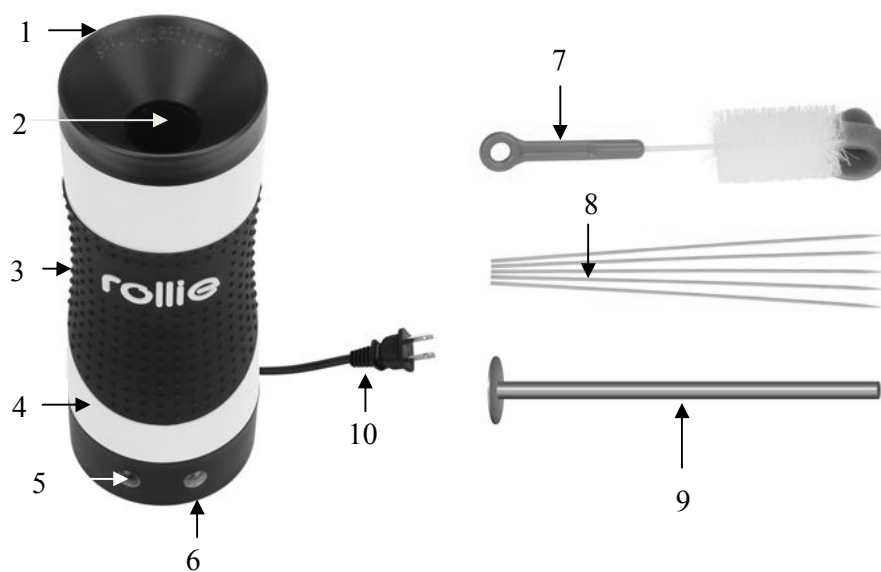
### CARACTERISTIQUES DU GRILL ROLLIE™ Eggmaster:

1. **Chambre de cuisson:** permet de cuire 2 gros œufs à la fois, et pourvu d'un revêtement antiadhésif pour une utilisation aisée et un nettoyage facile.
2. **Zone froide:** l'anneau en silicone autour de l'appareil offre une isolation thermique efficace pour réduire la chaleur du boîtier, pour une manipulation sans risques.
3. **Témoins lumineux:** Le voyant rouge s'allume quand l'appareil est sous tension, et un voyant vert indique quand le grill Rollie™ Eggmaster est prêt à démarrer la cuisson.
4. La tige **"Packer"** vous permet d'utiliser le grill Rollie™ Eggmaster pour cuire de la viande, ou des préparations à base de pâte..., ce qui fait de Rollie™ Eggmaster un grill extrêmement versatile, comme aucun autre grill avant lui.



5. Rollie™ Eggmaster peut aussi être utilisé pour faire cuire des brochettes (5 brochettes en bois incluses).
6. Brosse de nettoyage incluse.
7. **Aucun assemblage n'est nécessaire.**

## DESCRIPTION



- |   |  |
|---|--|
| <ol style="list-style-type: none"> <li>1. Entonnoir</li> <li>2. Chambre de cuisson</li> <li>3. Anneau isolant en silicone</li> <li>4. Boitier</li> <li>5. Témoin lumineux de mise sous tension (rouge)</li> <li>6. Témoin lumineux de température (Vert)</li> </ol> | <ol style="list-style-type: none"> <li>7. Brosse de nettoyage</li> <li>8. Piques à brochette en bois (5)</li> <li>9. Tige « Packer » pour compacter de la nourriture dans la chambre de cuisson (voir RECETTES)</li> <li>10. Cordon d'alimentation et fiche UL.</li> </ol> |
|---|--|



Fax +1 305 430 9692

Copies of the I/B. Please reproduce them without any changes except under special instruction from Team International USA. The pages must be reproduced and folded in order to obtain a booklet A5 (+/- 148.5 mm width x 210 mm height). When folding, make sure you keep the good numbering when you turn the pages of the I/B. Don't change the page numbering. Keep the language integrity. **Print only what is inside the frame.**



## AVANT LA PREMIERE UTILISATION

- Retirez tout l'emballage de protection
- Lorsque vous utilisez votre appareil pour la première fois, nettoyez-le en accordance avec le chapitre « NETTOYAGE ». NE JAMAIS IMMERGER L'APPAREIL !
- Lors de la première utilisation:
  - 1) Placez l'appareil sur une surface plane et horizontale.
  - 2) Branchez l'appareil sur une prise de courant, et laissez-le chauffer pendant 10 minutes. De la fumée peut apparaître, ce qui est normal. Débranchez et laissez l'appareil refroidir complètement avant de le nettoyer comme indiqué au chapitre « NETTOYAGE ».

## UTILISATION

- Placez l'appareil sur une surface plane et résistante à la chaleur.
- Fermez l'appareil et branchez la fiche dans la prise de courant. Le témoin lumineux rouge (5) s'allume, vous indiquant ainsi que l'appareil est sous tension.
- Le témoin lumineux vert (6) reste éteint, pour indiquer que l'appareil continue de préchauffer. Le témoin lumineux vert s'allume quand l'appareil est prêt à être utilisé.

**Note :** Pendant l'utilisation, ce témoin lumineux s'éteindra et se rallumera régulièrement.

**Attention :** pendant l'utilisation, la chambre de cuisson devient chaude. L'appareil peut aussi générer de la vapeur. Utilisez toujours des gants de cuisine pour manipuler l'appareil ou retirer la nourriture de l'appareil. Evitez tout contact avec les surfaces chaudes.

- Une fois le témoin lumineux vert allumé, utilisez de l'huile de cuisson en vaporisateur. Pour procéder, tenez l'appareil horizontalement, vaporisez l'huile dans la chambre de cuisson pour créer un revêtement anti-adhérent, puis replacez l'appareil verticalement.



Fax +1 305 430 9692

Copies of the I/B. Please reproduce them without any changes except under special instruction from Team International USA. The pages must be reproduced and folded in order to obtain a booklet A5 (+/- 148.5 mm width x 210 mm height). When folding, make sure you keep the good numbering when you turn the pages of the I/B. Don't change the page numbering. Keep the language integrity. **Print only what is inside the frame.**



### Exemple de Fonctionnement

- Vaporisez la chambre de cuisson avec de l'huile de cuisson en spray.
- Cassez deux œufs directement dans la chambre de cuisson.
- Pour des œufs bien cuits, laissez cuire pendant 6 à 8 minutes, à ce moment les œufs devraient monter hors de la chambre de cuisson ; si ce n'est pas le cas, versez simplement le contenu hors de l'appareil (secouez légèrement ou utilisez une brochette si nécessaire).
- Pour des œufs mollets, versez simplement les œufs hors de la chambre de cuisson après 5 minutes et demie.

Pour plus de détails, merci de consulter les recettes et exemples sur le site [www.tryrollie.com](http://www.tryrollie.com).

### CONSEILS D'UTILISATION

- Avant de brancher le grill Rollie™ Eggmaster sur la prise de courant, assurez-vous qu'il soit parfaitement propre.
- Utilisez des œufs frais de calibre « moyen » ou « gros ». Des œufs frais standards, sans additifs, donneront les meilleurs résultats.
- N'utilisez pas plus de deux œufs par opération (si vous ne cuisez que des œufs)
- Avant chaque utilisation/cuisson, vaporisez de l'huile végétale en spray « anti-adhérente », dans la chambre de cuisson.
- Ne battez pas les jaunes et les blancs d'œufs (omelette), sauf si indiqué comme tel dans une recette fournie avec le grill Rollie™ Eggmaster.
- Il est tout à fait normal que l'aspect et la cuisson des aliments puissent varier d'une cuisson à l'autre.
- Les piques en bois sont très utiles et peuvent être utilisées de nombreuses façons:
  - Par exemple, pour insérer une galette de blé (Fajita) roulée dans le tube de cuisson – la pique vous permet de coller la galette à la paroi du tube tout en en dégageant le centre.
  - Les piques peuvent être introduites dans la nourriture pendant la cuisson, et aident à retirer la préparation une fois cuite.



- Enfin, les piques en bois peuvent être utilisées pour ajouter des aliments dans les œufs à cuire, par exemple, pour insérer des petits morceaux de légumes cuits, ou une tranche de bacon. Insérez la « brochette ainsi conçue dans les œufs en début de cuisson.
- N'utilisez que des piques en bois, telles que celles fournies avec votre grill. Les piques à brochettes métalliques pourraient rayer ou endommager le revêtement antiadhésif à l'intérieur du tube de cuisson.
- Les temps de cuisson varient, selon le type d'aliments mis à cuire, la température de départ des aliments ou la quantité à cuire.
- Les œufs peuvent être préparés de nombreuses façons différentes. Vous ne devez pas nécessairement attendre que les œufs soient complètement cuits, pour obtenir ainsi des œufs « coque », mollets ou durs, selon le temps de cuisson.
- Les œufs brouillés augmentent fortement de volume en cuisant. Pour réduire cet effet, nous recommandons de battre les œufs en les mélangeant avec des crackers broyés, et de ne pas remplir alors la chambre de cuisson à plus de la moitié.
- Tous les aliments, et plus particulièrement les viandes et volailles, doivent être décongelés avant leur cuisson dans le grill Rollie™ Eggmaster.
- Nous vous recommandons l'utilisation d'un thermomètre à viande pour vous assurer que les aliments sont parfaitement cuits.

## NETTOYAGE

- Veuillez retirer la fiche de la prise de courant et attendre que l'appareil et la chambre de cuisson refroidissent totalement avant de les nettoyer.
- Essuyez l'extérieur de l'appareil à l'aide d'un chiffon légèrement humide.
- Mettez quelques gouttes de liquide vaisselle sur la brosse de nettoyage fournie et nettoyez soigneusement la chambre de cuisson. Rincez à l'eau claire, puis retournez l'appareil pour le laisser s'égoutter sur un papier absorbant ou un torchon de cuisine. Eviter tout contact du cordon, de la fiche et des voyants lumineux avec l'eau.

**N'IMMERGEZ PAS L'APPAREIL, LE CORDON OU LA FICHE, DANS L'EAU OU TOUT AUTRE LIQUIDE.**



Fax +1 305 430 9692

Copies of the I/B. Please reproduce them without any changes except under special instruction from Team International USA. The pages must be reproduced and folded in order to obtain a booklet A5 (+/- 148.5 mm width x 210 mm height). When folding, make sure you keep the good numbering when you turn the pages of the I/B. Don't change the page numbering. Keep the language integrity. **Print only what is inside the frame.**



- Le « Packer » peut être nettoyé dans de l'eau chaude savonneuse.
- Ne nettoyez jamais votre appareil (extérieur et intérieur) ou la tige « Packer » à l'aide de produits ou matières abrasifs (laine de fer, tampon à récurer) car cela abîmerait le revêtement.
- Si des résidus brûlés sont difficile à enlever dans la chambre de cuisson, il est conseillé de verser un peu d'huile végétale dessus et d'attendre 5 minutes avant de les enlever avec la brosse fournie. Vous pouvez aussi utiliser le bout d'une brochette en bois pour retirer d'éventuels résidus, restant au fond de la chambre de cuisson.

## RECETTES

### Conseils utiles :

- Le témoin lumineux rouge s'allume quand l'appareil est sous tension. Le témoin lumineux vert s'allume pour la première fois quand Rollie™ Eggmaster est prêt. Assurez-vous d'utiliser le vaporisateur d'huile de cuisson avant chaque utilisation.
- Il est recommandé d'insérer une brochette en bois au centre des aliments dans la chambre de cuisson pour aider à les retirer facilement.
- Utilisez le « packer » pour pousser les aliments vers le fond de la chambre de cuisson ou les compacter.
- Si l'aliment cuit commence à monter hors de la chambre de cuisson, versez-le immédiatement dans une assiette pour que l'aliment ne se casse ou ne se répande pas après avoir monté complètement.
- Après avoir retiré l'aliment cuit de la chambre de cuisson, vous pouvez le retourner et le réinsérer dans la chambre de cuisson, pour des résultats plus croustillants.
- Nettoyez la chambre de cuisson après chaque utilisation et chaque fois que vous changez de recette.

### Œufs Rollie™

#### Ingrédients:

1 ou 2 gros œufs

#### Instructions :

- Vaporisez la chambre de cuisson avec de l'huile de cuisson en spray.
- Cassez deux œufs directement dans la chambre de cuisson.
- Pour des œufs bien cuits, laissez cuire pendant environ 6 à 8 minutes, à ce moment les œufs devraient monter hors de la chambre de cuisson ; si ce n'est pas le cas, versez simplement le contenu hors de l'appareil (secouez légèrement ou utilisez une brochette si nécessaire).
- Pour des œufs mollets, versez simplement les œufs hors de la chambre de cuisson après 5 minutes et demie.



Fax +1 305 430 9692

Copies of the I/B. Please reproduce them without any changes except under special instruction from Team International USA. The pages must be reproduced and folded in order to obtain a booklet A5 (+/- 148.5 mm width x 210 mm height). When folding, make sure you keep the good numbering when you turn the pages of the I/B. Don't change the page numbering. Keep the language integrity. **Print only what is inside the frame.**



### **Crackers à l'Œuf Rollie™**

#### Ingrédients:

1 œuf large  
Environ 5 crackers ronds de 4cm de diamètre  
20 grammes de fromage râpé (1/8 cup)  
Sel et poivre selon goût

#### Instructions :

- Vaporisez la chambre de cuisson avec de l'huile de cuisson en spray.
- Dans un bol de taille moyenne, broyez les crackers et ajoutez le fromage râpé. Cassez un œuf dans le bol et ajoutez le sel et le poivre. Mélangez doucement les ingrédients ensemble, sans les battre.
- Versez le mélange dans la chambre de cuisson.
- Laissez cuire pendant environ 5-6 minutes, à ce moment la préparation devrait monter hors de la chambre de cuisson ; si ce n'est pas le cas, versez simplement le contenu hors de l'appareil.

\* Pour un résultat plus croustillant, retournez et réinsérez le produit dans le Rollie™ Eggmaster pendant 2 minutes.

### **Blancs d'Œufs Rollie™**

#### Ingrédients:

3 gros œufs

#### Instructions :

- Vaporisez la chambre de cuisson avec de l'huile de cuisson en spray.
- Séparez les blancs des jaunes et versez les blancs d'œuf directement dans la chambre de cuisson.
- Laissez cuire pendant environ 5-6 minutes, à ce moment la préparation devrait monter hors de la chambre de cuisson ; si ce n'est pas le cas, versez simplement le contenu hors de l'appareil.

### **Œuf à la Feta Rollie™**

#### Ingrédients:

1 gros œuf  
4 - 5 cubes de fromage Feta



Fax +1 305 430 9692

Copies of the I/B. Please reproduce them without any changes except under special instruction from Team International USA. The pages must be reproduced and folded in order to obtain a booklet A5 (+/- 148.5 mm width x 210 mm height). When folding, make sure you keep the good numbering when you turn the pages of the I/B. Don't change the page numbering. Keep the language integrity. **Print only what is inside the frame.**



#### Instructions :

- Vaporisez la chambre de cuisson avec de l'huile de cuisson en spray.
- Cassez l'œuf directement dans la chambre de cuisson.
- Insérez les cubes de feta le long d'une brochette en bois, à environ 1cm les uns des autres. Insérez ensuite la brochette avec les cubes au centre de l'œuf dans la chambre de cuisson.
- Laissez cuire pendant environ 6-8 minutes, à ce moment la préparation devrait monter hors de la chambre de cuisson ; si ce n'est pas le cas, versez simplement le contenu hors de l'appareil.

#### **Œuf au Bacon Rollie™**

##### Ingrédients:

- 1 gros œuf
- 1 bande de Bacon précuite

##### Instructions :

- Vaporisez la chambre de cuisson avec de l'huile de cuisson en spray.
- Cassez l'œuf directement dans la chambre de cuisson.
- Insérez la tranche de bacon en accordéon le long d'une brochette en bois,
- Insérez ensuite la brochette avec la tranche de bacon précuite au centre de l'œuf dans la chambre de cuisson.
- Laissez cuire pendant environ 6-8 minutes, à ce moment la préparation devrait monter hors de la chambre de cuisson ; si ce n'est pas le cas, versez simplement le contenu hors de l'appareil.

#### **Œuf Saucisse Rollie™**

##### Ingrédients:

- 1 gros œuf
- 1 saucisse pour petit déjeuner précuite

##### Instructions :

- Vaporisez la chambre de cuisson avec de l'huile de cuisson en spray.
- Cassez l'œuf directement dans la chambre de cuisson.
- Insérez une brochette en bois dans la saucisse précuite,
- Insérez ensuite la brochette avec saucisse précuite au centre de l'œuf dans la chambre de cuisson.
- Laissez cuire pendant environ 5-7 minutes, à ce moment la préparation devrait monter hors de la chambre de cuisson ; si ce n'est pas le cas, versez simplement le contenu hors de l'appareil.





Fax +1 305 430 9692

Copies of the I/B. Please reproduce them without any changes except under special instruction from Team International USA. The pages must be reproduced and folded in order to obtain a booklet A5 (+/- 148.5 mm width x 210 mm height). When folding, make sure you keep the good numbering when you turn the pages of the I/B. Don't change the page numbering. Keep the language integrity. **Print only what is inside the frame.**



### **Roulade à l'Œuf Rollie™**

#### **Ingrédients:**

1 gros œuf

Pour la garniture extérieure, utilisez 1 fine tranche de salami, de jambon ou de viande au choix.

#### **Instructions :**

- Vaporisez la chambre de cuisson avec de l'huile de cuisson en spray.
- Roulez votre tranche de salami, de jambon en forme de tube de façon à ce que le tube puisse être inséré dans le Rollie™ Eggmaster.
- Insérez le tube dans la chambre de cuisson, en utilisant une brochette en bois pour vous aider si nécessaire.
- Cassez l'œuf directement dans la chambre de cuisson.
- Laissez cuire pendant environ 6-8 minutes, à ce moment la préparation devrait monter hors de la chambre de cuisson ; si ce n'est pas le cas, versez simplement le contenu hors de l'appareil.

### **Egg-Dog Rollie™**

#### **Ingrédients:**

1 gros œuf

1 saucisse à hot dog

#### **Instructions :**

- Vaporisez la chambre de cuisson avec de l'huile de cuisson en spray.
- Cassez l'œuf directement dans la chambre de cuisson.
- Insérez une brochette en bois dans la saucisse à hot dog.,
- Insérez ensuite la brochette avec le hot dog au centre de l'œuf dans la chambre de cuisson.
- Laissez cuire pendant environ 6-8 minutes, à ce moment la préparation devrait monter hors de la chambre de cuisson ; si ce n'est pas le cas, versez simplement le contenu hors de l'appareil.

### **Tortilla aux légumes Rollie™**

#### **Ingrédients:**

1 tortilla / galette de blé

3 blancs d'œuf

1 cuillère à café de poivrons rouges émincé finement, selon gout

1 cuillère à café de poivrons verts émincé finement, selon gout

1 cuillère à café d'oignon émincé finement, selon gout

1 cuillère à café d'épinards hachés verts, selon gout



Fax +1 305 430 9692

Copies of the I/B. Please reproduce them without any changes except under special instruction from Team International USA. The pages must be reproduced and folded in order to obtain a booklet A5 (+/- 148.5 mm width x 210 mm height). When folding, make sure you keep the good numbering when you turn the pages of the I/B. Don't change the page numbering. Keep the language integrity. **Print only what is inside the frame.**



### Instructions :

- Vaporisez la chambre de cuisson avec de l'huile de cuisson en spray.
- Mélangez tous les ingrédients (sauf la galette) dans un bol de taille moyenne.
- Coupez la galette de façon à obtenir un rectangle de 4 x 6'' (10 x 15cm) et roulez-la en forme de tube, que vous insèrerez dans la chambre de cuisson.
- Versez les ingrédients dans le bol dans la chambre de cuisson, et remplir jusqu'à 1'' (2.5cm) au-dessous du bord de la galette.
- Laissez cuire pendant environ 6-8 minutes, à ce moment la préparation devrait monter hors de la chambre de cuisson ; si ce n'est pas le cas, versez simplement le contenu hors de l'appareil.

\* Pour un résultat plus croustillant, retournez et réinsérez le produit dans le Rollie™ Eggmaster pendant 2 minutes.

### Pita à la Grecque Rollie™

#### Ingrédients:

1 tortilla / galette de blé  
60g (1/4 cup) d'épinards hachés surgelés, décongelés  
40 g (1/8 cup) de Feta émiettée  
3 blancs d'oeuf

### Instructions :

- Vaporisez la chambre de cuisson avec de l'huile de cuisson en spray.
- Mélangez tous les ingrédients (sauf la galette) dans un bol de taille moyenne.
- Coupez la galette de façon à obtenir un rectangle de 4 x 6'' (10 x 15cm) et roulez-la en forme de tube, que vous insèrerez dans la chambre de cuisson.
- Versez les ingrédients dans le bol dans la chambre de cuisson, et remplir jusqu'à 1'' (2.5cm) au-dessous du bord de la galette.
- Laissez cuire pendant environ 6-8 minutes, à ce moment la préparation devrait monter hors de la chambre de cuisson ; si ce n'est pas le cas, versez simplement le contenu hors de l'appareil.

\* Pour un résultat plus croustillant, retournez et réinsérez le produit dans le Rollie™ Eggmaster pendant 2 minutes.

### Burrito pour petit déjeuner Rollie™

#### Ingrédients:

1 tortilla / galette de blé  
1 gros œuf  
1 saucisse pré-cuite, hachée  
1 cuillère à soupe de fromage râpé



Fax +1 305 430 9692

Copies of the I/B. Please reproduce them without any changes except under special instruction from Team International USA. The pages must be reproduced and folded in order to obtain a booklet A5 (+/- 148.5 mm width x 210 mm height). When folding, make sure you keep the good numbering when you turn the pages of the I/B. Don't change the page numbering. Keep the language integrity. **Print only what is inside the frame.**



### Instructions :

- Vaporisez la chambre de cuisson avec de l'huile de cuisson en spray.
- Mélangez tous les ingrédients (sauf la galette) dans un bol de taille moyenne.
- Coupez la galette de façon à obtenir un rectangle de 4 x 6'' (10 x 15cm) et roulez-la en forme de tube, que vous insèrerez dans la chambre de cuisson.
- Versez les ingrédients dans le bol dans la chambre de cuisson, et remplir jusqu'à 1'' (2.5cm) au-dessous du bord de la galette.
- Laissez cuire pendant environ 8 minutes, à ce moment la préparation devrait monter hors de la chambre de cuisson ; si ce n'est pas le cas, versez simplement le contenu hors de l'appareil.

\* Pour un résultat plus croustillant, retournez et réinsérez le produit dans le Rollie™ Eggmaster pendant 2 minutes.

### Galette au Poisson Fumé Rollie™

#### Ingrédients:

1 tortilla / galette de blé

1 gros œuf

1 cuillère à soupe de truite ou saumon fumé, haché

1-2 cuillères à soupe de fromage de chèvre haché

1-2 cuillères à soupe d'oignon rouge, cru ou caramélisé

Sel et poivre, selon gout.

#### Instructions :

- Vaporisez la chambre de cuisson avec de l'huile de cuisson en spray.
- Mélangez tous les ingrédients (sauf la galette) dans un bol de taille moyenne.
- Coupez la galette de façon à obtenir un rectangle de 4 x 6'' (10 x 15cm) et roulez-la en forme de tube, que vous insèrerez dans la chambre de cuisson.
- Versez les ingrédients dans le bol dans la chambre de cuisson, et remplir jusqu'à 1'' (2.5cm) au-dessous du bord de la galette.
- Laissez cuire pendant environ 8 minutes, à ce moment la préparation devrait monter hors de la chambre de cuisson ; si ce n'est pas le cas, versez simplement le contenu hors de l'appareil.

\* Pour un résultat plus croustillant, retournez et réinsérez le produit dans le Rollie™ Eggmaster pendant 2 minutes.



Fax +1 305 430 9692

Copies of the I/B. Please reproduce them without any changes except under special instruction from Team International USA. The pages must be reproduced and folded in order to obtain a booklet A5 (+/- 148.5 mm width x 210 mm height). When folding, make sure you keep the good numbering when you turn the pages of the I/B. Don't change the page numbering. Keep the language integrity. **Print only what is inside the frame.**



### **Rollie™ B.C.T.**

#### Ingrédients:

- 1 tortilla / galette de blé
- 1 gros œuf
- 1 saucisse précuite, hachée
- 1 cuillère à soupe de fromage râpé

#### Instructions :

- Vaporisez la chambre de cuisson avec de l'huile de cuisson en spray.
- Mélangez tous les ingrédients (sauf la galette) dans un bol de taille moyenne.
- Coupez la galette de façon à obtenir un rectangle de 4 x 6'' (10 x 15cm) et roulez-la en forme de tube, que vous insèrerez dans la chambre de cuisson.
- Versez les ingrédients dans le bol dans la chambre de cuisson, et remplir jusqu'à 1'' (2.5cm) au-dessous du bord de la galette.
- Laissez cuire pendant environ 8 minutes, à ce moment la préparation devrait monter hors de la chambre de cuisson ; si ce n'est pas le cas, versez simplement le contenu hors de l'appareil.

\* \* Pour un résultat plus croustillant, retournez et réinsérez le produit dans le Rollie™ Eggmaster pendant 2 minutes.

### **Pain Perdu façon Rollie™**

#### Ingrédients (pour 2 services)

- 4 tranche de pain de mie, coupes en petits cubes
- 1 gros œuf, battu
- ½ cuillère à café d'extrait de vanille
- ½ cuillère à café de cannelle en poudre (selon gout)
- 60ml (¼ cup) de lait
- 2 cuillères à café de sucre en poudre

#### Instructions :

- Vaporisez la chambre de cuisson avec de l'huile de cuisson en spray.
- Mélangez tous les ingrédients dans un bol de taille moyenne. Prenez soin à ce que tout le pain soit bien humecté par la préparation.
- Placez la préparation progressivement dans la chambre de cuisson, en utilisant le packer. Remplir le tube de cuisson environ jusqu'au niveau où le haut du logo « Rollie » est positionné, et compactez de nouveau avec le packer.
- Laissez cuire pendant environ 5-6 minutes, à ce moment la préparation devrait monter hors de la chambre de cuisson ; si ce n'est pas le cas, versez simplement le contenu hors de l'appareil.

\* Servez avec du sirop d'érable selon gout.



Fax +1 305 430 9692

Copies of the I/B. Please reproduce them without any changes except under special instruction from Team International USA. The pages must be reproduced and folded in order to obtain a booklet A5 (+/- 148.5 mm width x 210 mm height). When folding, make sure you keep the good numbering when you turn the pages of the I/B. Don't change the page numbering. Keep the language integrity. **Print only what is inside the frame.**



### **Pancake à la Saucisse Rollie™**

#### Ingrédients :

60ml (¼ cup) de préparation pour pancake

1 saucisse précuite

#### Instructions :

- Vaporisez la chambre de cuisson avec de l'huile de cuisson en spray.
- Versez la préparation liquide pour pancakes dans la chambre de cuisson,
- Insérez une brochette en bois dans la saucisse précuite,
- Insérez ensuite la brochette avec saucisse précuite au centre de la chambre de cuisson, dans la pâte liquide.
- Laissez cuire pendant environ 8 minutes, et versez simplement le contenu hors de l'appareil. Servez avec du sirop d'érable, selon gout.

### **PizzaRollie™**

#### Ingrédients :

2 morceaux de pâte à biscuits américains / muffin anglais /  
pâte à pizza toute préparée.

1 cuillère à soupe pâte de tomate / sauce pour pizza

40g (1/4 cup) de mozzarella râpée

Garniture au choix, en petits morceaux

1 cuillère à café de parmesan en poudre

#### Instructions :

- Vaporisez la chambre de cuisson avec de l'huile de cuisson en spray.
- Amalgamez les deux morceaux de pâte et étalez-les sur le plan de travail, en forme de cercle de 3 à 4'' (6 à 10 cm)
- Étalez la pâte de tomate en fine couche sur la pâte à biscuits, et ensuite étalez la garniture, puis répartissez la mozzarella et le parmesan, si désiré.
- Roulez la pâte en un tube serré, assez fin pour être introduit dans la chambre de cuisson. Pincez chaque extrémité pour sceller, et placez le tube dans la chambre de cuisson. Compactez légèrement le tube de pâte en utilisant le packer.
- Laissez cuire pendant environ 6-8 minutes, à ce moment la préparation devrait monter hors de la chambre de cuisson ; si ce n'est pas le cas, versez simplement le contenu hors de l'appareil.

\* Pour un résultat plus croustillant, retournez et réinsérez le produit dans le Rollie™ Eggmaster pendant 2 minutes.



Fax +1 305 430 9692

Copies of the I/B. Please reproduce them without any changes except under special instruction from Team International USA. The pages must be reproduced and folded in order to obtain a booklet A5 (+/- 148.5 mm width x 210 mm height). When folding, make sure you keep the good numbering when you turn the pages of the I/B. Don't change the page numbering. Keep the language integrity. **Print only what is inside the frame.**



### **Bâtonnet de Pizza Rollie™**

#### Ingrédients:

1 tortilla / galette de blé  
1 cuillère à café de pâte de tomate / sauce pour pizza  
40g (1/4 cup) de mozzarella râpée  
Garniture au choix, en petits morceaux (oignon haché, jambon haché, épinards hachés)  
Sel et poivre, selon gout  
Pincée d'origan, selon gout

#### Instructions :

- Vaporisez la chambre de cuisson avec de l'huile de cuisson en spray.
- Coupez la galette de façon à obtenir un rectangle de 4 x 6'' (10 x 15cm)
- Étalez la tomate au milieu de la galette en couche fine.
- Placez y la garniture en petits morceaux, et ajoutez une pincée d'origan, du sel et du poivre.
- Roulez-la galette en forme de tube assez fin et que vous insèrerez dans la chambre de cuisson.
- Laissez cuire pendant environ 7 minutes et versez simplement le contenu hors de l'appareil.

\* Pour un résultat plus croustillant, retournez et réinsérez le produit dans le Rollie™ Eggmaster pendant 2 minutes.

### **Rollie™ BBQ**

#### Ingrédients :

2 morceaux de pâte à biscuits américains / muffin anglais / pâte à pizza toute préparée.  
3 cuillères à soupe de porc façon barbecue

#### Instructions :

- Vaporisez la chambre de cuisson avec de l'huile de cuisson en spray.
- Amalgamez les deux morceaux de pâte et étalez-les sur le plan de travail, en forme de cercle de 3 à 4'' (6 à 10 cm)
- Étalez la viande de porc sur la pâte à biscuits puis roulez la pâte en un tube serré, assez fin pour être introduit dans la chambre de cuisson. Pincez chaque extrémité pour sceller, et placez le tube dans la chambre de cuisson. Compactez légèrement le tube de pâte en utilisant le packer.
- Laissez cuire pendant environ 6-8 minutes, à ce moment la préparation devrait monter hors de la chambre de cuisson ; si ce n'est pas le cas, versez simplement le contenu hors de l'appareil.

\* Pour un résultat plus croustillant, retournez et réinsérez le produit dans le Rollie™ Eggmaster pendant 2 minutes.



Fax +1 305 430 9692

Copies of the I/B. Please reproduce them without any changes except under special instruction from Team International USA. The pages must be reproduced and folded in order to obtain a booklet A5 (+/- 148.5 mm width x 210 mm height). When folding, make sure you keep the good numbering when you turn the pages of the I/B. Don't change the page numbering. Keep the language integrity. **Print only what is inside the frame.**



### **Croissant Jambon Fromage, façon Rollie™**

#### Ingrédients :

Un triangle de pâte à croissant toute préparée

Moutarde ou mayonnaise

1 tranche de jambon blanc

½ tranche d'emmental, coupée en morceaux

#### Instructions :

- Vaporisez la chambre de cuisson avec de l'huile de cuisson en spray.
- Placez le triangle de pâte sur le plan de travail, étalez dessus une couche mayonnaise ou de moutarde, puis la tranche de jambon et le fromage, au centre.
- Enroulez la pâte en commençant par le côté le plus large, et en repliant les côtés pour fermer les extrémités. Roulez en forme de tube dans vos mains, assez finement pour pouvoir insérer dans Rollie™ Eggmaster. Placez le tube dans la chambre de cuisson.
- Laissez cuire pendant environ 8-10 minutes, à ce moment la préparation devrait monter hors de la chambre de cuisson ; si ce n'est pas le cas, versez simplement le contenu hors de l'appareil.

\* Pour un résultat plus croustillant, retournez et réinsérez le produit dans le Rollie™ Eggmaster pendant 2 minutes.

### **Rollie™ à la Dinde et au Cheddar**

2 morceaux de pâte à biscuits américains / muffin anglais

1 tranche de dinde fumée

½ tranche de cheddar vieux, coupée en morceaux

#### Instructions :

- Vaporisez la chambre de cuisson avec de l'huile de cuisson en spray.
- Amalgamez les deux morceaux de pâte et étalez-les sur le plan de travail, en forme de cercle de 3 à 4'' (6 à 10 cm)
- Placez la tranche de dinde et le fromage sur la pâte à biscuits puis roulez la pâte en un tube serré, assez fin pour être introduit dans la chambre de cuisson. Pincez chaque extrémité pour sceller, et placez le tube dans la chambre de cuisson. Compactez légèrement le tube de pâte en utilisant le packer.
- Laissez cuire pendant environ 8-10 minutes, à ce moment la préparation devrait monter hors de la chambre de cuisson ; si ce n'est pas le cas, versez simplement le contenu hors de l'appareil.

\* Pour un résultat plus croustillant, retournez et réinsérez le produit dans le Rollie™ Eggmaster pendant 2 minutes.



Fax +1 305 430 9692

Copies of the I/B. Please reproduce them without any changes except under special instruction from Team International USA. The pages must be reproduced and folded in order to obtain a booklet A5 (+/- 148.5 mm width x 210 mm height). When folding, make sure you keep the good numbering when you turn the pages of the I/B. Don't change the page numbering. Keep the language integrity. **Print only what is inside the frame.**



### **Rollie™ Cubain**

#### Ingrédients:

- 1 tortilla / galette de blé
- 1 fine tranche de porc grillé
- ½ tranche d'emmental
- 1 tranche de jambon
- 1 cuillère à café de moutarde
- 2 cornichons hachés

#### Instructions :

- Vaporisez la chambre de cuisson avec de l'huile de cuisson en spray.
- Coupez la galette de façon à obtenir un rectangle de 4 x 6'' (10 x 15cm)
- Etalez la moutarde au centre de la galette et placez dessus le jambon, le porc et le fromage, et répartissez dessus les cornichons hachés.
- Roulez la galette en un tube assez serré pour être introduit dans Rollie™ Eggmaster. Placez le tube dans la chambre de cuisson.
- Laissez cuire pendant environ 6-8 minutes et versez simplement le contenu hors de l'appareil.

\* Pour un résultat plus croustillant, retournez et réinsérez le produit dans le Rollie™ Eggmaster pendant 2 minutes.

### **Rouleau de Printemps façon Rollie™**

#### Ingrédients:

- 1 carré de pâte Wonton
- 30g (1/4 cup) de choux émincé finement (selon gout)
- 30g de bâtonnets de carotte (ou autres légumes, selon gout)
- ¼ cuillère à café de gingembre émincé (selon gout)
- 1 cuillère à café de sauce d'huitre (selon gout)

#### Instructions :

- Vaporisez la chambre de cuisson avec de l'huile de cuisson en spray.
- Mélangez tous les ingrédients (sauf le Wonton) dans un bol de taille moyenne.
- Roulez ce mélange dans le carré de Wonton et placez-le dans la chambre de cuisson.
- Laissez cuire pendant environ 6-8 minutes, et versez simplement le contenu hors de l'appareil.

\* Servez avec de la sauce de soja.





Fax +1 305 430 9692

Copies of the I/B. Please reproduce them without any changes except under special instruction from Team International USA. The pages must be reproduced and folded in order to obtain a booklet A5 (+/- 148.5 mm width x 210 mm height). When folding, make sure you keep the good numbering when you turn the pages of the I/B. Don't change the page numbering. Keep the language integrity. **Print only what is inside the frame.**



### **Fondue au thon façon Rollie™**

2 morceaux de pâte à biscuits américains / muffin anglais

2 cuillères à soupe de salade de thon

½ tranche de cheddar vieux, coupée en morceaux

#### **Instructions :**

- Vaporisez la chambre de cuisson avec de l'huile de cuisson en spray.
- Amalgamez les deux morceaux de pâte et étalez-les sur le plan de travail, en forme de cercle de 3 à 4'' (6 à 10 cm)
- Placez la salade de thon et le fromage au centre de la pâte à biscuits puis roulez la pâte en un tube serré, assez fin pour être introduit dans la chambre de cuisson. Pincez chaque extrémité pour sceller, et placez le tube dans la chambre de cuisson. Compactez légèrement le tube de pâte en utilisant le packer.
- Laissez cuire pendant environ 6-8 minutes, à ce moment la préparation devrait monter hors de la chambre de cuisson ; si ce n'est pas le cas, versez simplement le contenu hors de l'appareil.

\* Pour un résultat plus croustillant, retournez et réinsérez le produit dans le Rollie™ Eggmaster pendant 2 minutes.

### **Galette au Thon Rollie™**

#### **Ingrédients:**

1 tortilla / galette de blé

2 cuillères à soupe de salade de thon

½ tranche de cheddar vieux, coupée en morceaux

#### **Instructions :**

- Vaporisez la chambre de cuisson avec de l'huile de cuisson en spray.
- Coupez la galette de façon à obtenir un rectangle de 4 x 6'' (10 x 15cm)
- Placez la salade de thon et le fromage au centre de la galette.
- Roulez la galette en un tube assez serré pour être introduit dans Rollie™ Eggmaster. Placez le tube dans la chambre de cuisson. Compactez légèrement le tube en utilisant le packer.
- Laissez cuire pendant environ 6-8 minutes et versez simplement le contenu hors de l'appareil.

\* Pour un résultat plus croustillant, retournez et réinsérez le produit dans le Rollie™ Eggmaster pendant 2 minutes.



Fax +1 305 430 9692

Copies of the I/B. Please reproduce them without any changes except under special instruction from Team International USA. The pages must be reproduced and folded in order to obtain a booklet A5 (+/- 148.5 mm width x 210 mm height). When folding, make sure you keep the good numbering when you turn the pages of the I/B. Don't change the page numbering. Keep the language integrity. **Print only what is inside the frame.**



### **Rollie™ Burger dog**

#### Ingrédients:

200g de steak haché (1/2 lb.), de préférence 20% de matière grasse  
1 pincée de cumin (selon gout)  
Sel et poivre (selon gout)  
50g (1/2 cup) d'oignons hachés  
1 pincée de persil (selon gout)

#### Instructions :

- Vaporisez la chambre de cuisson avec de l'huile de cuisson en spray.
- Mélangez tous les ingrédients dans un bol de taille moyenne. Formez une boule dans vos mains, et roulez-la en forme de tube.
- Insérez le tube de viande préparée dans la chambre de cuisson, et, en utilisant le packer fourni, compactez le burger légèrement. Nous suggérons d'insérer une brochette en bois au milieu de la viande pour la retirer facilement ensuite.
- Ne remplissez que la moitié de la chambre de cuisson avec la viande, car les jus de cuisson vont remplir une partie de l'espace restant.
- Laissez cuire pendant environ 6-7 minutes, et versez simplement le contenu hors de l'appareil.

\* Laissez cuire 6 minutes pour un burger saignant et 7-8 minutes pour un burger bien cuit.

### **Rollie™ Chocolat Banane**

#### Ingrédients :

Un triangle de pâte à croissant toute préparée  
3 ou 4 tranches fines de banane  
(des tranches de fraises sont aussi une alternative)  
1 cuillère à soupe de pâte à tartiner Nutella

#### Instructions :

- Vaporisez la chambre de cuisson avec de l'huile de cuisson en spray.
- Placez le triangle de pâte sur le plan de travail, étalez dessus une couche de Nutella, puis les tranches de banane.
- Enroulez la pâte en commençant par le côté le plus large, et en repliant les côtés pour fermer les extrémités. Roulez en forme de tube dans vos mains, assez finement pour pouvoir insérer dans Rollie™ Eggmaster. Placez le tube dans la chambre de cuisson.
- Laissez cuire pendant environ 10 minutes, à ce moment la préparation devrait monter hors de la chambre de cuisson ; si ce n'est pas le cas, versez simplement le contenu hors de l'appareil.



Fax +1 305 430 9692

Copies of the I/B. Please reproduce them without any changes except under special instruction from Team International USA. The pages must be reproduced and folded in order to obtain a booklet A5 (+/- 148.5 mm width x 210 mm height). When folding, make sure you keep the good numbering when you turn the pages of the I/B. Don't change the page numbering. Keep the language integrity. **Print only what is inside the frame.**



\* Pour un résultat plus croustillant, retournez et réinsérez le produit dans le Rollie™ Eggmaster pendant 2 minutes.

Note : Prenez soin à ce que la pâte soit réfrigérée jusqu'au moment de l'emploi, et pas laissée à température ambiante.

### **Rollie™ « PB&J » (beurre de cacahuète et gelée)**

Ingrédients :

Un triangle de pâte à croissant toute préparée

1 cuillère à soupe de beurre de cacahuète

1 cuillère à soupe de beurre de « Jelly » (Gelée colorée)

Instructions :

- Vaporisez la chambre de cuisson avec de l'huile de cuisson en spray.
- Placez le triangle de pâte sur le plan de travail, étalez dessus une couche de beurre de cacahuète et de gelée.
- Enroulez la pâte en commençant par le côté le plus large, et en repliant les côtés pour fermer les extrémités. Roulez en forme de tube dans vos mains, assez finement pour pouvoir insérer dans Rollie™ Eggmaster. Placez le tube dans la chambre de cuisson.
- Laissez cuire pendant environ 10 minutes, à ce moment la préparation devrait monter hors de la chambre de cuisson ; si ce n'est pas le cas, versez simplement le contenu hors de l'appareil.

\* Pour un résultat plus croustillant, retournez et réinsérez le produit dans le Rollie™ Eggmaster pendant 2 minutes.

Note : Prenez soin à ce que la pâte soit réfrigérée jusqu'au moment de l'emploi, et pas laissée à température ambiante.

### **Rollie™ à la Cannelle**

Ingrédients :

Un morceau de pâte toute préparée pour roulés à la cannelle

Instructions :

- Vaporisez la chambre de cuisson avec de l'huile de cuisson en spray.
- Prenez un morceau de pâte de l'emballage.
- Roulez la pâte dans vos mains en forme de tube assez serré pour être introduit dans Rollie™ Eggmaster. Placez le tube dans la chambre de cuisson. Compactez légèrement le tube en utilisant le packer.
- Laissez cuire pendant environ 8 minutes, à ce moment la préparation devrait monter hors de la chambre de cuisson ; si ce n'est pas le cas, versez simplement le contenu hors de l'appareil.
- Servez avec le glaçage fourni dans l'emballage.

\* Pour un résultat plus croustillant, retournez et réinsérez le produit dans le Rollie™ Eggmaster pendant 2 minutes.



Fax +1 305 430 9692

Copies of the I/B. Please reproduce them without any changes except under special instruction from Team International USA. The pages must be reproduced and folded in order to obtain a booklet A5 (+/- 148.5 mm width x 210 mm height). When folding, make sure you keep the good numbering when you turn the pages of the I/B. Don't change the page numbering. Keep the language integrity. **Print only what is inside the frame.**



## GARANTIE

Nous vous suggérons de remplir et de nous renvoyer rapidement la Carte d'Enregistrement Produit ci-jointe afin de faciliter la vérification de la date d'achat. Cependant, le renvoi de la Carte d'Enregistrement Produit n'est pas une condition indispensable à l'application de la présente garantie. Vous pouvez aussi remplir cette carte de garantie en ligne à l'adresse suivante :

**[www.tryrollie.com](http://www.tryrollie.com)** ou **[www.kalorik.com](http://www.kalorik.com)**.

A compter de la date d'achat, ce produit Rollie™ est garanti un an, sur le territoire des Etats-Unis, contre les défauts matériels et de fabrication. Cette garantie n'est pas transférable. Conservez la preuve d'achat originelle. Une preuve d'achat est exigée pour obtenir l'application de la garantie.

Durant cette période, le produit Rollie™ qui, après inspection par Rollie™, s'avère défectueux, sera réparé ou remplacé, au choix de Rollie™, sans frais pour le consommateur. Si un produit de remplacement est envoyé, c'est la garantie restante du produit originel qui s'appliquera.

La présente garantie ne s'applique pas aux défauts dus à une mauvaise utilisation de la part de l'acheteur ou de l'utilisateur, à une négligence, au non-respect des consignes du manuel d'utilisation Rollie™, à une utilisation sur un circuit électrique au voltage différent de celui renseigné sur le produit, à une usure normale, à des modifications ou réparations non autorisées par Rollie™, ou par un usage à des fins commerciales. Il n'existe pas de garantie pour les accessoires en général. Il n'existe également pas de garantie pour les pièces perdues par l'utilisateur.

Toute garantie de valeur commerciale ou d'adaptabilité à ce produit est également limitée à la garantie d'un an.

Certains états ne limitent pas la longueur de la garantie tacite ou n'autorisent pas l'exclusion de dommages-intérêts accessoires ou indirects, les restrictions ci-dessus peuvent donc ne pas s'appliquer à vous. Cette garantie vous donne des droits légaux particuliers, et certains droits peuvent varier d'un état à l'autre.



Fax +1 305 430 9692

Copies of the I/B. Please reproduce them without any changes except under special instruction from Team International USA. The pages must be reproduced and folded in order to obtain a booklet A5 (+/- 148.5 mm width x 210 mm height). When folding, make sure you keep the good numbering when you turn the pages of the I/B. Don't change the page numbering. Keep the language integrity. **Print only what is inside the frame.**



Si l'appareil devait présenter un défaut durant la période de garantie et plus de 30 jours après l'achat, ne ramenez pas l'appareil au magasin : souvent, notre Service Clientèle peut aider à résoudre le problème sans que le produit ne doive être réparé. Si une réparation est nécessaire, un représentant peut confirmer si le produit est sous garantie et vous rediriger vers notre centre de réparation.

Le cas échéant, ramenez le produit (ou envoyez-le, dûment affranchi), ainsi qu'**une preuve d'achat**, en mentionnant **le numéro d'autorisation de retour**, indiqué par notre service clientèle, au service après-vente Rollie™ agréé (visitez notre site internet [www.tryrollie.com](http://www.tryrollie.com) ou [www.kalorik.com](http://www.kalorik.com), ou appelez notre département Service Clientèle pour obtenir l'adresse du service après-vente Rollie™ agréé).

Si vous envoyez le produit, veuillez y joindre une lettre expliquant la nature du défaut.

Si vous avez des questions complémentaires, veuillez appeler notre département Service Clientèle (voyez plus bas pour les coordonnées complètes), du Lundi au Jeudi de 9h à 17h (EST) et le Vendredi de 9h à 16h (EST). Veuillez noter que les heures sont sujettes à modification.

Si vous souhaitez nous écrire, adressez votre courrier à:

**Rollie™ Customer Service Department**

Team International Group of America Inc. dba. Kalorik  
1400 N.W 159th Street, Suite 102  
Miami Gardens, FL 33169 USA

Ou appelez (Gratuitement des Etats-Unis): +1 888-521-TEAM ou +1 888-KALORIK.

**Seules les lettres seront acceptées à l'adresse ci-dessus. Les envois et colis n'ayant pas de numéro d'autorisation de retour seront refusés.**



Fax +1 305 430 9692

Copies of the I/B. Please reproduce them without any changes except under special instruction from Team International USA. The pages must be reproduced and folded in order to obtain a booklet A5 (+/- 148.5 mm width x 210 mm height). When folding, make sure you keep the good numbering when you turn the pages of the I/B. Don't change the page numbering. Keep the language integrity. **Print only what is inside the frame.**



**NOTES :**



Fax +1 305 430 9692

Copies of the I/B. Please reproduce them without any changes except under special instruction from Team International USA. The pages must be reproduced and folded in order to obtain a booklet A5 (+/- 148.5 mm width x 210 mm height). When folding, make sure you keep the good numbering when you turn the pages of the I/B. Don't change the page numbering. Keep the language integrity. **Print only what is inside the frame.**



## NOTES :

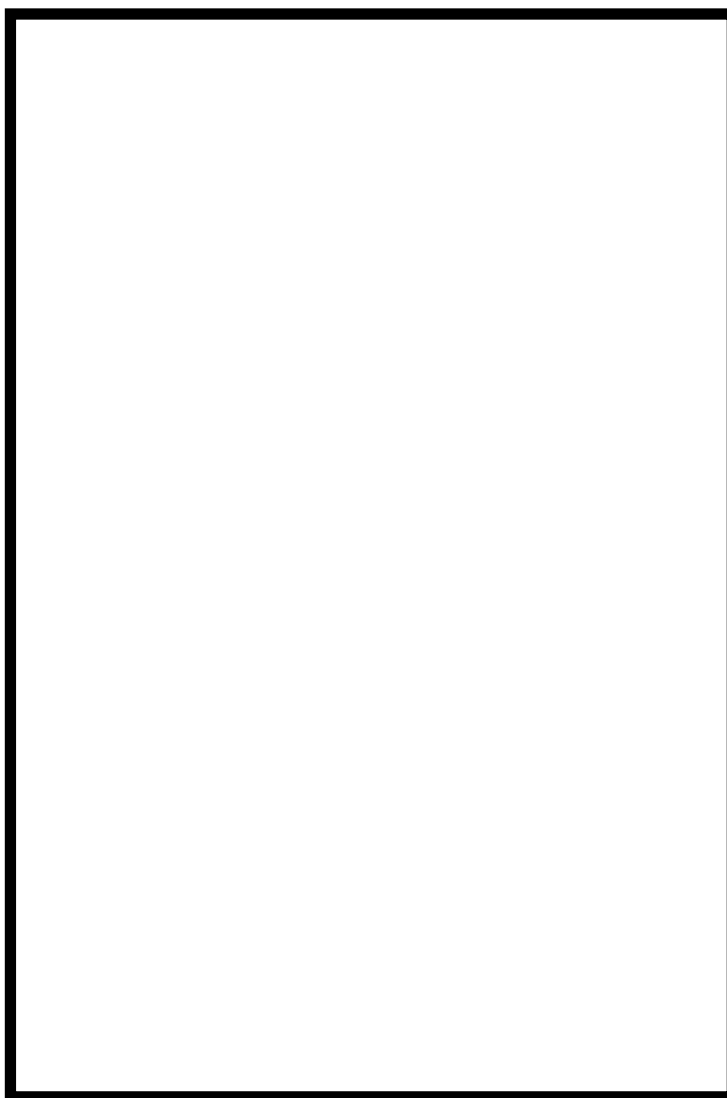


Fax +1 305 430 9692

Copies of the I/B. Please reproduce them without any changes except under special instruction from Team International USA. The pages must be reproduced and folded in order to obtain a booklet A5 (+/- 148.5 mm width x 210 mm height). When folding, make sure you keep the good numbering when you turn the pages of the I/B. Don't change the page numbering. Keep the language integrity. **Print only what is inside the frame.**



Size of Tortilla/Wrap  
Tamaño de la Tortilla/Envoltorio  
Taille recommandée pour les galettes de blé



6" =  
15 cm

4" =  
10 cm

[www.tryrollie.com](http://www.tryrollie.com)

K130424

© Team International Group DBA Kalorik



Back cover page (last page)

Assembly page 72/72



## Free Manuals Download Website

<http://myh66.com>

<http://usermanuals.us>

<http://www.somanuals.com>

<http://www.4manuals.cc>

<http://www.manual-lib.com>

<http://www.404manual.com>

<http://www.luxmanual.com>

<http://aubethermostatmanual.com>

Golf course search by state

<http://golfingnear.com>

Email search by domain

<http://emailbydomain.com>

Auto manuals search

<http://auto.somanuals.com>

TV manuals search

<http://tv.somanuals.com>