



KALORIK



Deep fryer

Freidora

Friteuse



USK FT 36673

120V~60Hz 1500W (12.5A)



Front cover page (first page)

Assembly page 1/40



Fax +1 305 430 9692

Copies of the I/B. Please reproduce them without any changes except under special instruction from Team International USA. The pages must be reproduced and folded in order to obtain a booklet A5 (+/- 148.5 mm width x 210 mm height). When folding, make sure you keep the good numbering when you turn the pages of the I/B. Don't change the page numbering. Keep the language integrity. **Print only what is inside the frame.**



(EN) OPERATING INSTRUCTIONS

IMPORTANT SAFEGUARDS

When using electrical appliances, basic safety precautions should always be followed, including the following:

- 1. READ ALL INSTRUCTIONS BEFORE USE**
2. Check that your mains voltage corresponds to that stated on the rating plate of the appliance before using the appliance.
3. Do not touch hot surfaces. Use handles or knobs.
4. To protect against electric shock do not immerse cord, plugs, the appliance or its control panel in water or other liquid.
5. Close supervision is necessary when the appliance is used by or near children.
6. Do not operate any appliance with a damaged cord or plug or after the appliance malfunctions or has been damaged in any manner. Return appliance to the manufacturer's authorized service facility for examination, repair, or adjustment.
7. Do not place any items on top or next to this appliance at any time. To prevent a fire, keep this appliance clear of contact with any flammable materials including curtains, draperies, walls, plastic materials, etc., at all times.
8. Unplug from outlet when not in use and before cleaning. Allow to cool before putting on or taking off parts, and before cleaning the appliance.
9. Do not place any flammable materials in or close to the appliance, such as paper, cardboard, plastic or flammable substances.
10. Oversized foods must not be inserted into the Deep Fryer as they may create a fire.
11. The use of accessory attachments not recommended by the appliance manufacturer may cause injuries, electric shocks or fire.
12. Do not use outdoors.
13. Do not let cord hang over edge of table or counter or touch hot surfaces.
14. Do not use with an extension cord!



Fax +1 305 430 9692

Copies of the I/B. Please reproduce them without any changes except under special instruction from Team International USA. The pages must be reproduced and folded in order to obtain a booklet A5 (+/- 148.5 mm width x 210 mm height). When folding, make sure you keep the good numbering when you turn the pages of the I/B. Don't change the page numbering. Keep the language integrity. **Print only what is inside the frame.**



15. Do not place on or near a hot gas or electric burner, or in a heated oven.
16. Extreme caution must be used when moving an appliance containing hot oil or other hot liquids.
17. It is not always recommended to place the lid on the deep fryer when it is in use, as this could cause oil overflow and not give the best cooking results if too much steam is generated. For this kind of fryer the lid could only be used for storing and moving (as soon as the deep fryer has cooled down).
18. Always attach plug to appliance first, then plug cord in the wall outlet. To disconnect, remove plug from wall outlet.
19. Do not use appliance for other than intended use.
20. Be sure the handle is properly assembled to basket and locked in place. See detailed assembly instructions

SAVE THESE INSTRUCTIONS HOUSEHOLD USE ONLY

POLARIZED PLUG INSTRUCTIONS

This appliance has a polarized plug (one blade is wider than the other). To reduce the risk of electric shock, this plug will fit into the polarized outlet only one way. If the plug does not properly fit into the outlet at first, reverse it. If it still does not fit, contact a qualified electrician. **Do not attempt to modify the plug in any way.**

SHORT CORD INSTRUCTIONS

A short power supply cord is provided to reduce the hazards resulting from becoming entangled in, or tripping over a longer cord. Do not use the appliance with an extension cord.

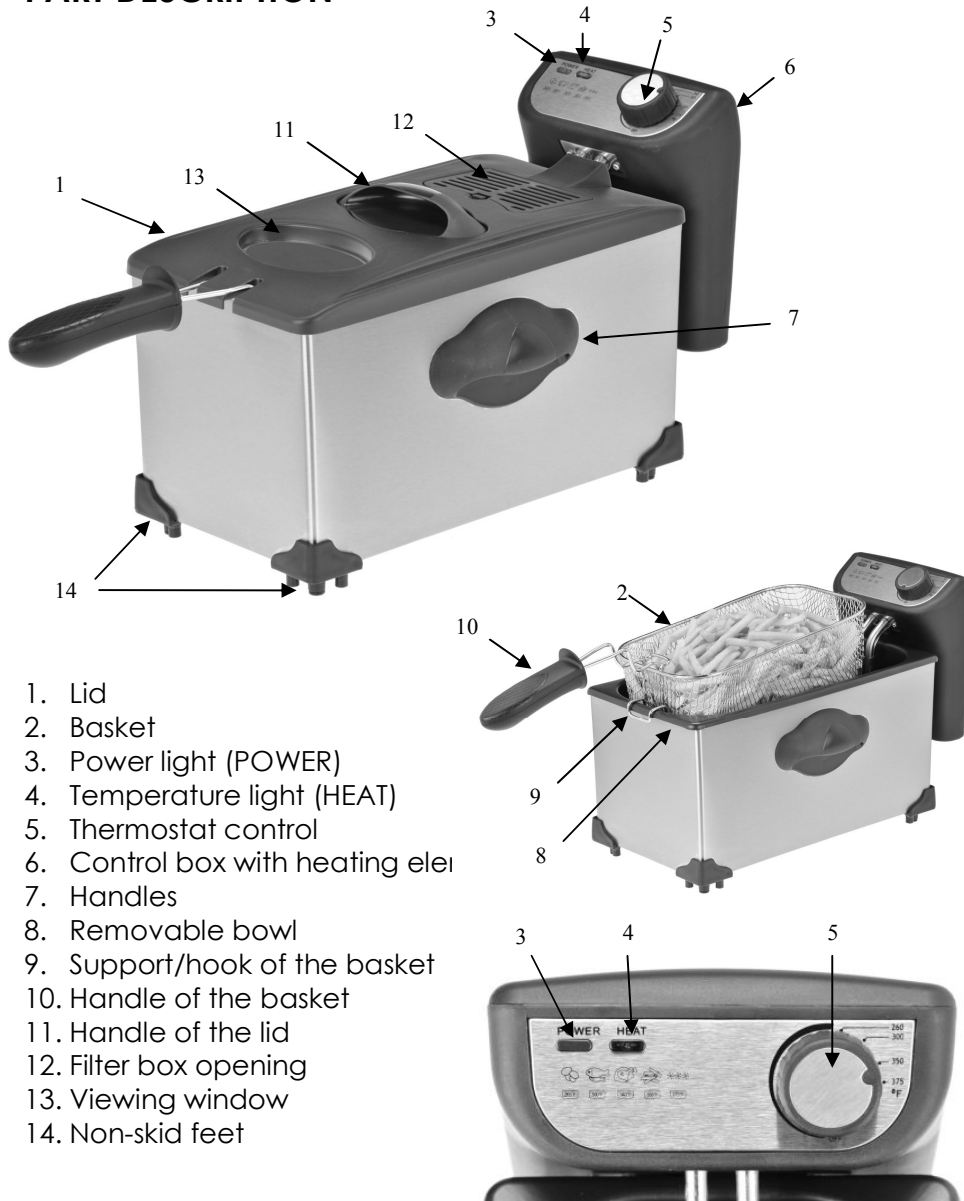


Fax +1 305 430 9692

Copies of the I/B. Please reproduce them without any changes except under special instruction from Team International USA. The pages must be reproduced and folded in order to obtain a booklet A5 (+/- 148.5 mm width x 210 mm height). When folding, make sure you keep the good numbering when you turn the pages of the I/B. Don't change the page numbering. Keep the language integrity. **Print only what is inside the frame.**



PART DESCRIPTION



1. Lid
2. Basket
3. Power light (POWER)
4. Temperature light (HEAT)
5. Thermostat control
6. Control box with heating element
7. Handles
8. Removable bowl
9. Support/hook of the basket
10. Handle of the basket
11. Handle of the lid
12. Filter box opening
13. Viewing window
14. Non-skid feet



Fax +1 305 430 9692

Copies of the I/B. Please reproduce them without any changes except under special instruction from Team International USA. The pages must be reproduced and folded in order to obtain a booklet A5 (+/- 148.5 mm width x 210 mm height). When folding, make sure you keep the good numbering when you turn the pages of the I/B. Don't change the page numbering. Keep the language integrity. **Print only what is inside the frame.**



BEFORE USE

- Remove all packaging from the unit.
- Remove the lid, basket, handle and any accessory from the appliance.
- Before you use the deep fryer for the first time, we recommend that you clean the lid, bowl, basket, handle and housing of the deep fryer with warm soapy water with a soft cloth.

DISASSEMBLING THE DEEP FRYER

- Put aside the basket and lid
- Remove the control panel from the appliance. To do this, gently pull the control panel upwards until it is released.
- Take the interior bowl with your two hands and pull it up gently.

ASSEMBLING THE DEEP FRYER

- Stand the appliance on a dry horizontal surface.
- Place the bowl back in the housing and push it downwards.
- Replace the control panel and the accessories. To replace the control panel, gently slide the control panel downward into the location grooves on the back of the housing until it is locked.

NOTE: The appliance will only operate when the control panel is correctly fitted into the outer jacket. A safety switch (on the front of the control box) prevents the function if the control panel is not assembled correctly.

- Insert the pins of the basket handle into the 2 slots in the basket, and then unfold the handle of the basket until it is locked, to make raising the basket easy.

FIRST USE

- When using the appliance for the first time, pour the required amount of oil in the bowl, making sure that the level is between the MIN and MAX marks indicated inside the bowl.
- We recommend that you use liquid oil that is suitable for deep frying. Check the label on the bottle.
- If you wish to use a solid fat, cut the fat in small pieces. Plug in the appliance, set the thermostat on the lowest temperature setting and add the fat pieces slowly. When the fat has melted, set the



Fax +1 305 430 9692

Copies of the I/B. Please reproduce them without any changes except under special instruction from Team International USA. The pages must be reproduced and folded in order to obtain a booklet A5 (+/- 148.5 mm width x 210 mm height). When folding, make sure you keep the good numbering when you turn the pages of the I/B. Don't change the page numbering. Keep the language integrity. **Print only what is inside the frame.**



thermostat to the desired temperature. **Warning:** failure to observe this will damage your deep fryer.

USE

- Before plugging in your appliance, always make sure that the oil is at least at the minimum marking on the inside of the enameled tank. Failure to fill the tank with oil, to at least the minimum, will result in overheating and triggering the safety thermostat (see below for details). Your fryer will hold 3.2L / 3.3qt of oil at the minimum oil mark and 3.8L / 4.0 qt of oil at the maximum mark.
- Attach the magnetic cord to the appliance and plug it into the electric wall outlet. Use care to position the magnetic plug correctly (the plug indicates which side needs to be up)
- Set the thermostat to the desired temperature. The power light (POWER) (3) and the temperature pilot light (HEAT) (4) will illuminate. As soon as the desired temperature is reached, the temperature pilot light HEAT (4) will go out.

Note: the green HEAT light (4) will cycle from green to off as the thermostat cycles to maintain the correct oil temperature.

- Allow the oil to come to temperature before placing any food in the oil.
- Place the food in the fry basket. Do not overload the basket to avoid lowering the temperature of the oil too much. Also overloading can cause a boil over. As a rule, do not fill the fry basket more than ½ full, or 1 ½" to 2" from the bottom of the basket.
- Once the oil is at the correct temperature and the HEAT light is off, slowly lower the fry basket(s) into the oil.
- You can place the lid on the unit during cooking, or leave it off.

Note: Do not put the lid on the deep fryer when frying French fries or high moisture foods.

- When the food is ready, remove the lid if put on, raise the basket by lifting the handle and let the food drain its excess oil, by hanging the basket using the drain support hook (9) located at the back of the fry basket.



Fax +1 305 430 9692

Copies of the I/B. Please reproduce them without any changes except under special instruction from Team International USA. The pages must be reproduced and folded in order to obtain a booklet A5 (+/- 148.5 mm width x 210 mm height). When folding, make sure you keep the good numbering when you turn the pages of the I/B. Don't change the page numbering. Keep the language integrity. **Print only what is inside the frame.**



- After the excess oil has drained, remove the basket and turn the food out onto a paper towel-lined baking sheet, to allow the remaining oil to drain away.
- Ensure the food is thoroughly cooked inside and out.
- Your deep fryer does not have a separate ON/OFF switch. After use, turn the thermostat to its "MIN" position and unplug the appliance. Never move or store the appliance as long as the oil or fat is still hot. Do not expose to excessively cold temperatures when oil is still hot.

CAUTION:

- Use only metal utensils when deep frying. Plastic or rubber utensils will be ruined from the hot oil. Do not leave metal utensils sitting in the hot oil.
- Always use caution when frying to prevent severe personal injury, fire, scalding, etc... Never leave unattended when in use. Always use caution around children.
- Steam will escape from vents in lid. Do not place your hand over the vents. When removing lid, always open towards the back of the unit to allow steam to escape away from you.
- To reduce the risk of oil overflow or spatter, lower the basket slowly into the oil. Should oil begin to foam and rise in the oil tank, lift the basket up and allow the oil to lower, and the begin lowering food slowly into the oil again, until foaming stops.

FOR BEST RESULTS

- Always dry food well before frying. Very 'wet' food can cause the oil to 'foam' and hot oil may overflow.
- Do not use the lid for frying French fries or food with high moisture content.
- French fries are best when fried in 2 stages (see Time and Temperature table)
- Food for frying should be roughly of the same size to ensure the food cooks evenly and thoroughly.
- Many types of food may need to be coated before frying - typical coatings are batter or breadcrumbs.
- Always wait until the fryer has reached the desired temperature and the pilot light has gone out, before adding the food.



Fax +1 305 430 9692

Copies of the I/B. Please reproduce them without any changes except under special instruction from Team International USA. The pages must be reproduced and folded in order to obtain a booklet A5 (+/- 148.5 mm width x 210 mm height). When folding, make sure you keep the good numbering when you turn the pages of the I/B. Don't change the page numbering. Keep the language integrity. **Print only what is inside the frame.**



- Do not overfill the basket.
- If you are frying more than one load, please give the oil a chance to heat up to the proper temperature (HEAT light will turn from green to off) before placing another load in the oil.
- It is important to replace the oil if you notice any of the following:
 1. Unpleasant odor to the oil
 2. Excessive smoking when heating the oil
 3. Oil is dark in color
 4. The oil has been stored for a long period of time
- Frying food that has a batter or coating will require changing the oil more often.
- When re-using oil, it is recommended that you strain the oil to remove food particles. Use a mesh strainer over a bowl to separate the food particles from the oil. For best results, you can line the strainer with 2 layers of cheesecloth. Once the oil is strained, keep in the refrigerator or return the oil to the oil tank.

SECURITY THERMOSTAT

CAUTION: This fryer has a built-in security thermostat that switches the unit off if it accidentally overheats (e.g. temperature control fails to function.) Overheating can also happen if the oil is too old or too thick, if there is not enough oil in the tank (or if there is no oil).

To reset the security thermostat after a cut-off:

- Turn the unit off by turning the temperature control to "MIN", unplug from the wall outlet and remove the magnetic cord.
- Allow the unit to cool.
- Remove the control panel from the tank.
- Using a small screwdriver or toothpick, press the reset button on the left at the back of the control box.
- Correct the oil situation by changing the oil if too old, or adding oil if not enough in the tank.
- Reassemble the unit and resume cooking.

Your deep fryer is now ready to use. To make sure this does not happen again, please read the instruction manual thoroughly.



Fax +1 305 430 9692

Copies of the I/B. Please reproduce them without any changes except under special instruction from Team International USA. The pages must be reproduced and folded in order to obtain a booklet A5 (+/- 148.5 mm width x 210 mm height). When folding, make sure you keep the good numbering when you turn the pages of the I/B. Don't change the page numbering. Keep the language integrity. **Print only what is inside the frame.**



TEMPERATURE GUIDE FOR BEST RESULTS

FOOD	TEMPERATURE*	(MINUTES (approximately))*
Breaded Fillet of fish	340°F / 170°C	6-7
Scampi	300°F / 150°C	4-6
Chicken Breast	350°F / 175°C	4-5
Breaded Chicken pieces	340°F / 170°C	12-15
Onion Rings	355°F / 180°C	4
Breaded Mushrooms	355°F / 180°C	3-4
Broccoli Fritters	365°F / 185°C	3-4
Courgette Fritters	365°F / 185°C	3-4
Celery in batter	355°F / 180°C	3-4
Chips First Stage	340°F / 170°C	8
Chips Second Stage	355°F / 180°C	2

* Temperature and time indications are indicative and shall be modified/adapted, depending on the recipe or personal preferences.

CLEANING

- **Caution: never immerse the control box in water or any other liquid.**
- Unplug the deep fryer.
- Wait until the unit is **completely cool** before cleaning. Be careful when touching the heating element as it might stay hot for quite some time after you have unplugged the appliance.
- NEVER IMMERSE THE CONTROL BOX WITH THE HEATING ELEMENT AND THE MAGNETIC CORD IN WATER, OR ANY OTHER LIQUID, FOR ANY REASON WHATSOEVER.
- Follow the section 'Disassembling the deep fryer'.
- All the parts, except the control panel with the heating element, the magnetic plug, and the filters, are dishwasher safe.
- Alternatively, clean the fryer's tank and housing with warm soapy water. It may help to soak the parts for a short time.
- The control panel and heating element can be wiped down with a damp dishcloth. Rinse the dishcloth and wipe off all residual dish soap.



Fax +1 305 430 9692

Copies of the I/B. Please reproduce them without any changes except under special instruction from Team International USA. The pages must be reproduced and folded in order to obtain a booklet A5 (+/- 148.5 mm width x 210 mm height). When folding, make sure you keep the good numbering when you turn the pages of the I/B. Don't change the page numbering. Keep the language integrity. **Print only what is inside the frame.**



- Do not use strong detergents or abrasive cloths/liquid, as this will damage the deep fryer.
- To clean the lid and filters, remove the filters by removing the filter cover. 2 filters are included. Wash in warm soapy water and rinse thoroughly. Allow the filters to dry completely, and replace in lid. The white filter (cloth filter) shall be placed in the lid first, then the black filter (charcoal filter). Snap the filter cover back in place when done.
- Thoroughly dry all parts of the appliance after cleaning.
- Change the oil regularly.
- To re-assemble, follow the section 'Assembling the deep fryer'.

NOTE: You may notice a slight discoloration of the parts, when you choose to use the dishwasher. This will not affect the performance.

STORAGE

- Wait until the deep fryer is completely cool before storing.
- The unit can be stored with the oil inside. Ensure the lid is tightly closed to avoid dust getting into the oil.

TROUBLESHOOTING

Problems	Solutions
Appliance does not work.	Make sure the appliance is plugged into the mains; make sure the plug is powered; check the assembly of the control box (red safety switch on the front of the control box needs to be pressed); make sure the magnetic cord is well connected to control box and the wall outlet.
Machine stops running suddenly or does not restart	Make sure the magnetic plug is well connected to control box; Appliance may have overheated. Please follow instructions indicated under " Safety Cut Off Thermostat "



Fax +1 305 430 9692

Copies of the I/B. Please reproduce them without any changes except under special instruction from Team International USA. The pages must be reproduced and folded in order to obtain a booklet A5 (+/- 148.5 mm width x 210 mm height). When folding, make sure you keep the good numbering when you turn the pages of the I/B. Don't change the page numbering. Keep the language integrity. **Print only what is inside the frame.**



RECIPES

Fresh Chips

- Fresh chips are best fried in two stages.
- Use preferably 'old' potatoes (not 'new crop' potatoes). Cut the potatoes into equal sizes. Rinse the chipped potatoes under running water to reduce the starch level. Dry thoroughly and separate the pieces.
- Do not exceed the recommended quantity in the basket. When the temperature has reached 340°F, place the chips in the basket and slowly lower the basket into the oil.
- For 1 lb. of chips, fry for 8 minutes on 340°F then raise the basket.
- Increase temperature to 355°F
- Wait until the temperature light goes out again, lower the basket and fry for another 2 minutes.
- Raise the basket and let the chips drain.
- For best results, before serving, gently dab the chips with absorbent paper to remove the excess oil.
- Frying times may vary slightly depending on the type of potatoes used and the thickness of the chips.

Onion Rings

- Frying temperature: 350°F for 4 to 5 minutes
- Peel the onions and slice. Separate the slices into rings
- Dip the rings into a bowl of seasoned milk
- Then dust the rings in plain flour
- Place the rings separately in the frying basket and fry a few at a time.

Breaded Mushrooms

- Frying temperature: 350°F for 4 to 5 minutes
- Beat 1 egg and dip the mushrooms into the egg
- Then coat the mushrooms with breadcrumbs
- Place separately into the frying basket and fry a few at a time.

Sole sticks

- Frying temperature: 320°F for 3-4 minutes
- Cut the sole fillet into thin slices. Coat the slices in some seasoned plain flour
- Then dip the slices into beaten egg and coat with bread crumbs.
- Place separately into the frying basket and fry a few at a time.



Fax +1 305 430 9692

Copies of the I/B. Please reproduce them without any changes except under special instruction from Team International USA. The pages must be reproduced and folded in order to obtain a booklet A5 (+/- 148.5 mm width x 210 mm height). When folding, make sure you keep the good numbering when you turn the pages of the I/B. Don't change the page numbering. Keep the language integrity. **Print only what is inside the frame.**



WARRANTY

We suggest that you complete and return the enclosed Product Registration Card promptly to facilitate verification of the date of original purchase. However, return of the Product Registration Card is not a condition of these warranties. You can also fill out this warranty card online, at the following address: www.KALORIK.com

This KALORIK product is warranted in the U.S.A. for 1 year from the date of purchase against defects in material and workmanship. This warranty is not transferable. Keep the original sales receipt. Proof of purchase is required to obtain warranty performance.

During this period, if the KALORIK product, upon inspection by KALORIK, is proven defective, it will be repaired or replaced, at Kalorik's option, without charge to the customer. If a replacement product is sent, it will carry the remaining warranty of the original product.

This warranty does not apply to any defect arising from a buyer's or user's misuse of the product, negligence, failure to follow KALORIK instructions noted in the user's manual, use on current or voltage other than that stamped on the product, wear and tear, alteration or repair not authorized by KALORIK, or use for commercial purposes. There is no warranty for glass parts, glass containers, filter basket, blades and agitators, and accessories in general. There is also no warranty for parts lost by the user.

ANY WARRANTY OF MERCHANTABILITY OR FITNESS WITH RESPECT TO THIS PRODUCT IS ALSO LIMITED TO THE ONE YEAR LIMITED WARRANTY PERIOD.

Some states do not allow limitation on how long an implied warranty lasts or do not allow the exclusion of incidental or consequential damages, so the above limitations may not apply to you. This warranty gives you specific legal rights, and you may also have other rights which vary from state to state.



Fax +1 305 430 9692

Copies of the I/B. Please reproduce them without any changes except under special instruction from Team International USA. The pages must be reproduced and folded in order to obtain a booklet A5 (+/- 148.5 mm width x 210 mm height). When folding, make sure you keep the good numbering when you turn the pages of the I/B. Don't change the page numbering. Keep the language integrity. **Print only what is inside the frame.**



If the appliance should become defective within the warranty period and more than 30 days after date of purchase, do not return the appliance to the store: often, our Customer Service Representatives can help solve the problem without having the product serviced. If servicing is needed, a Representative can confirm whether the product is under warranty and direct you to the nearest service location.

If this is the case, bring the product, or send it, postage prepaid by the user (all Kalorik customers are responsible for the initial shipment back to the warranty center), along **with proof of purchase** and indicating a **return authorization number** given by our Customer Service Representatives, to the authorized KALORIK Service Center (please visit our website at www.KALORIK.com or call our Customer Service Department for the address of our authorized KALORIK Service Center).

If you send the product, please include a letter explaining the nature of the claimed defect.

If you have additional questions, please call our Customer Service Department (please see below for complete contact information), Monday through Thursday from 9:00am - 5:00pm (EST) and Friday from 9:00am - 4:00pm (EST). Please note hours are subject to change.

If you would like to write, please send your letter to:

KALORIK Customer Service Department

Team International Group of America Inc.
1400 N.W 159th Street, Suite 102
Miami Gardens, FL 33169 USA

Or call:

Toll Free: +1 888-521-TEAM / +1 888-KALORIK

Only letters can be accepted at this address above. Shipments and packages that do not have a return authorization number will be refused.



Fax +1 305 430 9692

Copies of the I/B. Please reproduce them without any changes except under special instruction from Team International USA. The pages must be reproduced and folded in order to obtain a booklet A5 (+/- 148.5 mm width x 210 mm height). When folding, make sure you keep the good numbering when you turn the pages of the I/B. Don't change the page numbering. Keep the language integrity. **Print only what is inside the frame.**



(SP) MANUAL DE INSTRUCCIONES

CONSEJOS DE SEGURIDAD

Cuando se utilizan aparatos eléctricos, hay unas precauciones básicas de seguridad que siempre se deben seguir, tales como:

- 1. LEA TODAS LAS INSTRUCCIONES.**
2. Antes de utilizar el aparato, compruebe que el voltaje de la red eléctrica coincide con el indicado en la placa de datos técnicos del aparato.
3. No toque las superficies calientes. Utilice las asas o los botones.
4. Para protegerse contra una descarga eléctrica, no sumerja el aparato o el enchufe en agua o en otros líquidos.
5. Es siempre necesaria la supervisión cercana cuando este aparato sea utilizado cerca de niños. Este aparato no debe ser usado por niños.
6. No opere el aparato si el cable o el enchufe están dañados, o después de que el aparato ha funcionado inadecuadamente, se ha caído o ha sido dañado en cualquier manera. El aparato debe ser llevado al fabricante o a un centro de servicio autorizado para ser comprobado y reparado.
7. No ponga ningún objeto encima o cerca del aparato. Procure que el aparato no entre nunca en contacto con materiales inflamables como cortinas, tejidos, etc., podría provocar un incendio.
8. Desenchufe el aparato cuando no lo use o antes de limpiarlo. Deje que el aparato enfrie antes de quitar o poner accesorios o antes de limpiar el aparato.
9. No ponga materiales inflamables como papel, cartón o plástico en la freidora.
10. Alimentos muy grandes no deben ser freidos en la freidora ya que podrían provocar un incendio.
11. El uso de accesorios que no sean los recomendados por el fabricante puede causar incendios, descargas eléctricas o heridas.
12. No use en el exterior.



Fax +1 305 430 9692

Copies of the I/B. Please reproduce them without any changes except under special instruction from Team International USA. The pages must be reproduced and folded in order to obtain a booklet A5 (+/- 148.5 mm width x 210 mm height). When folding, make sure you keep the good numbering when you turn the pages of the I/B. Don't change the page numbering. Keep the language integrity. **Print only what is inside the frame.**



13. No permita que el cable cuelgue del borde de la mesa o del mostrador o toque las partes calientes.
14. No utilice con un alargador.
15. No coloque este aparato sobre o cerca de quemadores de gas o eléctricos, o dentro de un horno caliente.
16. Tenga mucho cuidado cuando desplace un aparato lleno de aceite caliente o otros líquidos calientes.
17. **NO es recomendable colocar la tapadera en la freidora durante su funcionamiento, ya que podría provocar desbordamiento del aceite y no dar los mejores resultados si se genera demasiado vapor.** Para este tipo de freidora, la tapadera se usa para guardar y desplazar el aparato (una vez que haya enfriado).
18. Enchufe siempre primero el cable al aparato y después en el enchufe de la red eléctrica. Para desconectar el aparato, desenchúfelo.
19. No use este aparato más que para lo que ha sido diseñado.
20. Asegúrese que el asa está correctamente acoplada en la cesta y bloqueada en su lugar. Véase las instrucciones de montaje.

GUARDE ESTAS INSTRUCCIONES SOLAMENTE PARA USO DOMESTICO

INFORMACIÓN SOBRE EL ENCHUFE POLARIZADO

Para reducir el riesgo de choque eléctrico, este aparato tiene un enchufe polarizado (una pata es más ancha que la otra). Como medida de seguridad, este enchufe calza en el tomacorriente polarizado de una sola manera. Si el enchufe no cabe en el tomacorriente, pruebe en el otro sentido. Si aún así no calza, consulte a un servicio técnico cualificado. **No intente anular esta característica de seguridad.**

INSTRUCCIONES DEL CABLE

El cable de alimentación del aparato es un cable corto a fin de disminuir el riesgo de accidentes (caídas al tropezar con él, etc.). No utilice el aparato con un alargador.



Fax +1 305 430 9692

Copies of the I/B. Please reproduce them without any changes except under special instruction from Team International USA. The pages must be reproduced and folded in order to obtain a booklet A5 (+/- 148.5 mm width x 210 mm height). When folding, make sure you keep the good numbering when you turn the pages of the I/B. Don't change the page numbering. Keep the language integrity. **Print only what is inside the frame.**



PARTES





Fax +1 305 430 9692

Copies of the I/B. Please reproduce them without any changes except under special instruction from Team International USA. The pages must be reproduced and folded in order to obtain a booklet A5 (+/- 148.5 mm width x 210 mm height). When folding, make sure you keep the good numbering when you turn the pages of the I/B. Don't change the page numbering. Keep the language integrity. **Print only what is inside the frame.**



ANTES DE LA UTILIZACIÓN

- Quite el embalaje del aparato.
- Quite la tapadera, la cesta, el asa y todos los accesorios del aparato.
- Antes de su primer uso, se recomienda limpiar cuidadosamente la tapadera, la cubeta, la cesta y los accesorios de la freidora con un paño humedecido con agua tibia jabonosa.

DESMONTAJE DE LA FREIDORA

- Quite la tapa y la cesta.
- Quite el panel de mandos del aparato. Para esto, liberte el panel de mandos levantándolo despacio.
- Quite la cubeta interior agarrándola por ambos los lados y sáquela despacio.

MONTAJE DE LA FREIDORA

- Ponga el aparato en una superficie horizontal y seca.
- Vuelva a poner la cubeta en el cuerpo de la freidora y bájela lentamente.
- Coloque el panel de mandos y los accesorios. Para volver a colocar el panel de mandos, deslícelo suavemente hacia abajo para que se inserte en las ranuras en la parte trasera del cuerpo del aparato hasta que esté bloqueado.
- NOTA: El aparato no será operacional hasta que el panel de mandos esté bien colocado. Si su panel de mandos no está bien colocado, un interruptor de seguridad impedirá que su aparato sea operacional. Compruebe su colocación.
- Inserte las clavijas del asa en las 2 ranuras de la cesta, y después despliegue el asa de la cesta hasta que esté bloqueado y que se pueda agarrar fácilmente la cesta.



Fax +1 305 430 9692

Copies of the I/B. Please reproduce them without any changes except under special instruction from Team International USA. The pages must be reproduced and folded in order to obtain a booklet A5 (+/- 148.5 mm width x 210 mm height). When folding, make sure you keep the good numbering when you turn the pages of the I/B. Don't change the page numbering. Keep the language integrity. **Print only what is inside the frame.**



PRIMERA UTILIZACION

- Llene la cubeta de aceite entre el nivel mínimo y máximo indicado en el interior de la cubeta.
- Utilice preferentemente aceite especial para freír, compruebe la etiqueta de la botella.
- Si prefiere utilizar grasa, incorpórela a la cubeta en pequeñas porciones. Enchufe el aparato, ponga el termostato en la posición mínima y añada la grasa poco a poco. Cuando la grasa esté fundida, accione el termostato hasta la temperatura deseada. Atención: Si no respeta estas indicaciones puede dañar seriamente su freidora.

USO

- Antes de enchufar su aparato, compruebe que el aceite llegue al menos al mínimo marcado en el interior del tanque. Si no lo hace si, dará lugar a sobrecalentamiento y saltara el termostato de seguridad (ver más abajo). El contenido mínimo de la freidora marcado 3.2L / 3.3 cuartos, y el contenido máximo marcado 3.8L / 4.0 cuartos.
- Conecte el cable magnético al aparato y enchufe a la corriente eléctrica.
- Ponga el termostato en la posición deseada. Los testigos luminosos de funcionamiento "POWER" (3) y de temperatura "HEAT" (4) se encenderán. Cuando el aparato alcance la temperatura deseada, el testigo luminoso de temperatura (4) se apagará.

Nota: La luz verde "HEAT" (4) de "encendido/listo" alternará entre encendida y apagada, indicando que el termostato funciona de forma que la temperatura del aceite sea la correcta.

- Espere a que le aceite alcance la temperatura deseada antes de introducir cualquier alimento en el aceite.
- Coloque los alimentos en la cesta. No las sobrecargue para evitar la disminución de temperatura del aceite en exceso. Además la sobrecarga puede provocar desbordes. Como regla general no llene las cestas más de la mitad o 1 ½" a 2" desde el fondo de la cesta.



Fax +1 305 430 9692

Copies of the I/B. Please reproduce them without any changes except under special instruction from Team International USA. The pages must be reproduced and folded in order to obtain a booklet A5 (+/- 148.5 mm width x 210 mm height). When folding, make sure you keep the good numbering when you turn the pages of the I/B. Don't change the page numbering. Keep the language integrity. **Print only what is inside the frame.**



- Una vez que le aceite haya alcanzado la temperatura correcta y la luz "HEAT" sea apagará, baje lentamente la cesta de freír en el aceite.
- Durante la cocción puede colocar la tapa o no.

Nota: No coloque la tapa sobre la freidora cuando fría patatas fritas o alimentos con alto contenido de humedad.

- Cuando la comida este lista, retire la tapa si esta está puesta, levante la cesta levantando el mango y deje que los alimentos se escurran del exceso de aceite, colocando la cesta en el gancho situado en la parte posterior de la cesta.
- Cuando el exceso de aceite se haya escurrido, quite la cesta y ponga los alimentos sobre una servilleta de papel para acabar de escurrirlos.
- Asegúrese de que los alimentos queden bien cocinados tanto por dentro como por fuera.
- Su aparato no lleva interruptor encendido / apagado. Por eso, ponga el termostato en la posición **MIN** y desenchufe el aparato. Nunca mueva el aparato cuando el aceite o la grasa estén todavía calientes. No lo exponga a temperaturas excesivamente frías, cuando el aceite todavía este caliente.

PRECAUCIÓN:

- Utilice únicamente utensilios de metal para freír. Utensilios de plástico o caucho, se estropean y derriten en le aceite caliente. No deje utensilios de metal en el aceite caliente.
- Siempre tenga cuidado al freír para evitar lesiones personales graves, incendios, quemaduras, etc. Nunca deje sin vigilancia cuando esté en uso. Siempre ponga más cuidado haya alrededor niños.
- El vapor sale por la ventilación de la tapa. No coloque la mano sobre las rejillas de ventilación. Al quitar la tapa, ábrala hacia la parte posterior de la unidad para permitir que el vapor salga lejos de usted.
- Para reducir las salpicaduras de aceite, baje la cesta lentamente en el aceite. En caso de que el aceite comience a hacer espuma y levantarse en el tanque de aceite, levante la cesta y deje que el aceite baje, vuelva a bajar lentamente los alimentos en el aceite hasta que deje de hacer espuma.



Fax +1 305 430 9692

Copies of the I/B. Please reproduce them without any changes except under special instruction from Team International USA. The pages must be reproduced and folded in order to obtain a booklet A5 (+/- 148.5 mm width x 210 mm height). When folding, make sure you keep the good numbering when you turn the pages of the I/B. Don't change the page numbering. Keep the language integrity. **Print only what is inside the frame.**



PARA OBTENER LOS MEJORES RESULTADOS

- Seque los alimentos antes de freírlos, los alimentos muy húmedos pueden provocar una ebullición del aceite y hacerlo desbordar de la cubeta.
- No utilice la tapa para freír patatas fritas o alimentos con alto contenido de humedad.
- Las patatas fritas son mejores cuando se fríen en dos etapas (véase el cuadro tiempo y temperatura)
- Procure que todos los alimentos tengan aproximadamente el mismo tamaño para permitir una fritura uniforme.
- Ciertos alimentos tienen que ser empanados o rebozados. Para este fin, se utiliza en general pan rallado o albardilla.
- Espere siempre que la freidora alcance la temperatura deseada y el testigo luminoso de temperatura se apague antes de añadir los alimentos.
- No llene en exceso la cesta.
- Si fríe más de una carga, por favor, de al aceite de la oportunidad de calentar a la temperatura adecuada antes de poner otra carga en el aceite
- Es importante remplazar el aceite en cuanto note cualquiera de los siguientes puntos:
 1. Olor desagradable del aceite
 2. Humo excesivo cuando se calienta el aceite.
 3. El aceite es de color oscuro
 4. El aceite se ha almacenado durante un largo período de tiempo.
- Será necesario cambiar el aceite más a menudo cuando los alimentos que fría estén envueltos en una masa o capa.
- Cuando vuelva a usar el aceite, se recomienda colar el aceite para eliminar las partículas de alimentos, usando un colador de malla sobre un recipiente. Para obtener mejores resultados, puede cubrir el colador con dos capas de gasa. Una vez que el aceite este filtrado, guárdelo en el refrigerador o vuelva a ponerlo en el tanque de aceite.



Fax +1 305 430 9692

Copies of the I/B. Please reproduce them without any changes except under special instruction from Team International USA. The pages must be reproduced and folded in order to obtain a booklet A5 (+/- 148.5 mm width x 210 mm height). When folding, make sure you keep the good numbering when you turn the pages of the I/B. Don't change the page numbering. Keep the language integrity. **Print only what is inside the frame.**



TERMOSTATO DE SEGURIDAD

CUIDADO: Su freidora está provista de un sistema de seguridad que para el aparato si éste recalienta accidentalmente (por ejemplo en caso de disfunción del termostato). El sobrecalentamiento también puede ocurrir si el aceite es demasiado viejo o demasiado grueso, o si no hay suficiente aceite en el tanque (o no hay aceite).

Para restablecer el termostato de seguridad después de un corte:

- Ponga el termostato en la posición mínima (MIN), desenchufe y desconecte el cable magnético.
- Deje que la unidad se enfríe.
- Retire el panel de control del tanque.
- Con un destornillador pequeño, o un palillo, presione el botón de "Reset" situado detrás de la caja de control, al lado izquierdo.
- Corrija la situación del aceite, cámbielo si es demasiado viejo, o añada aceite si no hay suficiente
- Volver a montar la unidad y siga cocinando

ALGUNOS CONSEJOS DE UTILIZACIÓN

ALIMENTOS	TEMPERATURA*	TIEMPO* (aproximado)
Filetes de pescado empanados	340°F / 170°C	6-7
Gambas	300°F / 150°C	4-6
Pechugas de pollo	350°F / 175°C	4-5
Pollo empanado	340°F / 170°C	12-15
Aros de cebolla	355°F / 180°C	4
Champiñones empanados	355°F / 180°C	3-4
Brécoles fritos	365°F / 185°C	3-4
Calabacines fritos	365°F / 185°C	3-4
Apio rebozado	355°F / 180°C	3-4
Patatas fritas (1ª cocción)	340°F / 170°C	8
Patatas fritas (2ª cocción)	355°F / 180°C	2

* La temperatura y las indicaciones del tiempo son indicativas y deben modificarse o adaptarse, en función de la receta o las preferencias personales.



Fax +1 305 430 9692

Copies of the I/B. Please reproduce them without any changes except under special instruction from Team International USA. The pages must be reproduced and folded in order to obtain a booklet A5 (+/- 148.5 mm width x 210 mm height). When folding, make sure you keep the good numbering when you turn the pages of the I/B. Don't change the page numbering. Keep the language integrity. **Print only what is inside the frame.**



LIMPIEZA

- **Advertencia importante: No sumerja en agua o en cualquier otro líquido el aparato en su conjunto.**
- Desconecte su freidora.
- Antes de limpiar su freidora, asegúrese de que está totalmente fría. Atención: la resistencia puede permanecer caliente mucho tiempo después que tenga desenchufado el aparato.
- NO SUMERJA NUNCA EL PANEL DE MANDOS NI EL CABLE MAGNETICO EN EL AGUA O EN CUALQUIER OTRO LÍQUIDO.
- Vea párrafo "Desmontaje de la freidora".
- Todas las piezas, excepto el panel de mandos con el elemento de calefacción y el cable magnético se pueden meter en el lavavajillas.
- Como alternativa limpie el tanque y el cuerpo con agua tibia y jabón.
- Evite el uso de detergentes agresivos o de cepillos demasiado duros que podrían estropear la freidora.
- El panel de control y el elemento de calefacción se pueden limpiar con un paño humedecido en agua de jabón. Después enjuague el paño y limpie el jabón residual.
- Limpieza de la tapa y filtros: quite los filtros mediante la eliminación de la cubierta del filtro. 2 filtros están incluidos. Lávelos con agua tibia y jabón y enjuáguelos bien. Deje que los filtros se sequen completamente y vuelva a colocarlos en la tapa. El filtro blanco (filtro de tela) se colocan en la tapa primero, luego el filtro negro (filtro de carbón). Coloque la tapa del filtro en su sitio cuando haya terminado.
- Seque cuidadosamente todas las partes del aparato.
- Cambie el aceite con regularidad.
- Para acoplar su freidora, vea el párrafo "Montaje de la freidora".

NOTA: Puede notar una ligera decoloración de las partes, cuando elija utilizar el lavavajillas. Esto no afectará al rendimiento del aparato.



Fax +1 305 430 9692

Copies of the I/B. Please reproduce them without any changes except under special instruction from Team International USA. The pages must be reproduced and folded in order to obtain a booklet A5 (+/- 148.5 mm width x 210 mm height). When folding, make sure you keep the good numbering when you turn the pages of the I/B. Don't change the page numbering. Keep the language integrity. **Print only what is inside the frame.**



PARA GUARDAR SU FREIDORA

- Compruebe que su freidora está totalmente fría antes de guardarla.
- Puede dejar el aceite restante en el aparato. Asegúrese que la tapadera está bien cerrada para que no pueda entrar polvo en el aceite.

SOLUCIÓN DE PROBLEMAS

Problemas	Soluciones
El aparato no funciona.	Asegúrese de que el aparato esté conectado, asegúrese de que el enchufe tenga carga eléctrica; comprobar el montaje de la caja de control (El interruptor de seguridad debe estar presionado); compruebe que el cable magnético está bien conectado con la caja de control.
El aparato deja de funcionar repentinamente o no vuelve a ponerse en funcionamiento.	Compruebe que el enchufe magnético está bien conectado a la caja de control. El aparato puede haberse sobrecalentado. Siga las instrucciones indicadas en "TERMOSTATO DE SEGURIDAD"



Fax +1 305 430 9692

Copies of the I/B. Please reproduce them without any changes except under special instruction from Team International USA. The pages must be reproduced and folded in order to obtain a booklet A5 (+/- 148.5 mm width x 210 mm height). When folding, make sure you keep the good numbering when you turn the pages of the I/B. Don't change the page numbering. Keep the language integrity. **Print only what is inside the frame.**



RECETAS

Patatas fritas (no congeladas)

- Se recomienda cocer las patatas en dos veces.
- Utilice unas patatas viejas (no de nueva cosecha). Córtelas en trozos iguales. Pase los trozos por agua para quitarles el almidón. Séquelas cuidadosamente.
- No supere el peso recomendado. Cuando la temperatura haya alcanzado los 340°F (170°C), coloque las patatas en la cesta y baje la cesta en el aceite.
- El tiempo de cocción necesario para 500 g de patatas fritas es de 8 minutos a 340°F/170°C. Luego, saque la cesta del aceite.
- Ponga la temperatura a 355°F/180°C
- Espere que el testigo luminoso se apague y vuelva a bajar la cesta; deje cocer todavía durante unos dos minutos.
- Suba la cesta y deje escurrir las patatas.
- Para obtener el mejor resultado, seque las patatas fritas con papel de cocina para absorber el exceso de grasa.
- El tiempo de fritura puede variar ligeramente según la calidad de las patatas y su espesor.

Aros de cebolla

- Tiempo de fritura: 4 - 5 minutos a 350°F/175°C.
- Pele las cebollas y córtelas en rodajas.
- Sumerja las rodajas en leche sazónada.
- Espolvoree luego con harina.
- Ponga las rodajas una al lado de otra en la cesta y freía pocas a la vez.

Champiñones empanados

- Tiempo de fritura: 4 - 5 minutos a 350°F/175°C.
- Pase los champiñones en un huevo batido.
- Vuelva a pasarlos en pan rallado.
- Póngalos en la cesta unos al lado de otros y freía los champiñones pocos a la vez.

Bastoncitos de lenguado

- Tiempo de fritura: 3 - 4 minutos a 320°F/160°C.
- Corte el filete de lenguado en bastoncitos. Espolvóreelos de harina.
- Páselos en un huevo batido y, luego, en pan rallado.
- Coloque los bastoncitos unos al lado de otros en la cesta y freía pocos a la vez.



Fax +1 305 430 9692

Copies of the I/B. Please reproduce them without any changes except under special instruction from Team International USA. The pages must be reproduced and folded in order to obtain a booklet A5 (+/- 148.5 mm width x 210 mm height). When folding, make sure you keep the good numbering when you turn the pages of the I/B. Don't change the page numbering. Keep the language integrity. **Print only what is inside the frame.**



GARANTÍA

Le sugerimos rellenen y nos envíen rápidamente la Tarjeta de Registro de Producto adjunta para facilitar la verificación de la fecha de compra. Por lo tanto, la devolución de esa Tarjeta de Registro de Producto no es una condición imprescindible para la aplicación de esa garantía. Puede también rellenar dicha tarjeta de garantía en línea en la dirección siguiente: www.KALORIK.com

A partir de la fecha de compra, este producto KALORIK está garantizado un año contra los defectos materiales y de fabricación, en los Estados Unidos. Esta garantía no es transferible. Conserve la prueba de compra original. Se exige una prueba de compra para obtener la aplicación de la garantía.

Durante este período, si el producto KALORIK después de una inspección por parte de KALORIK, se manifiesta defectuoso, será reparado o reemplazado, según lo que decida KALORIK, sin gastos para el consumidor. Si se envía un producto de reemplazo, se aplicará la garantía que queda del producto original.

Esta garantía no se aplica a los defectos causados por una mala utilización por parte del comprador o del usuario, o una negligencia al no respeto del manual de instrucciones KALORIK, o una utilización en un circuito eléctrico cuyo voltaje es diferente al que figura en el producto, o un desgaste normal, o modificaciones o reparaciones no autorizadas por KALORIK, o por un uso con fines comerciales. No existe garantía por las partes de cristal, jarras de cristal, filtros, cestos, cuchillas y accesorios en general. No existe tampoco garantía por las piezas perdidas por el usuario.

Toda garantía de valor comercial o de adaptabilidad a este producto está limitada a un año también.

Algunos estados no ponen límites a la duración de la garantía tácita o no autorizan la exclusión de daños y perjuicios accesorios o indirectos, por lo que puede que las restricciones anteriormente mencionadas no le sean aplicables a Usted. Esta garantía le otorga derechos legales particulares, pero usted puede tener también otros



Fax +1 305 430 9692

Copies of the I/B. Please reproduce them without any changes except under special instruction from Team International USA. The pages must be reproduced and folded in order to obtain a booklet A5 (+/- 148.5 mm width x 210 mm height). When folding, make sure you keep the good numbering when you turn the pages of the I/B. Don't change the page numbering. Keep the language integrity. **Print only what is inside the frame.**



derechos que varían de un estado a otro y algunos derechos pueden variar de un estado a otro.

Si el aparato tuviera un defecto durante el periodo de garantía y / o más de 30 días después de que se compró, no devuelva el aparato en la tienda donde le compró: a menudo, nuestro Servicio al Consumidor puede ayudar a resolver el problema sin que el producto tenga que ser reparado. Si hace falta una reparación, uno de nuestros representantes puede confirmar si el producto está bajo garantía y dirigirle al servicio post-venta más próximo.

Si fuera el caso, traiga el producto (o envíelo, correctamente franqueado) con la **prueba de compra** que mencione **el número de autorización de devolución** indicado por nuestro Servicio al Consumidor, al servicio post-venta KALORIK más próximo. (Visite nuestra web www.KALORIK.com o llame al Servicio al Consumidor para obtener la dirección del Servicio post-venta KALORIK exclusivo más próximo).

Si envía el producto, le rogamos añadan una carta explicando la naturaleza del defecto.

Si tiene preguntas adicionales, por favor llame al Servicio al Consumidor (véase abajo para los datos completos), de lunes a jueves, de las 9:00 a las 17:00 (EST), y el viernes de las 9:00 a las 16:00 (EST). Note que las horas pueden ser modificadas.

Si quiere escribirnos, puede hacerlo a la dirección siguiente:

KALORIK Servicio al Consumidor

Team International Group of America Inc.
1400 N.W 159th Street, Suite 102
Miami Gardens, FL 33169 USA

O llame gratuitamente (U.S.A.) al +1 888-521-TEAM / +1 888-KALORIK

Las cartas se aceptan solamente en la dirección anteriormente mencionada. Los envíos y paquetes que no tengan número de autorización de devolución serán rechazados.



Fax +1 305 430 9692

Copies of the I/B. Please reproduce them without any changes except under special instruction from Team International USA. The pages must be reproduced and folded in order to obtain a booklet A5 (+/- 148.5 mm width x 210 mm height). When folding, make sure you keep the good numbering when you turn the pages of the I/B. Don't change the page numbering. Keep the language integrity. **Print only what is inside the frame.**



(FR) MODE D'EMPLOI

CONSIGNES DE SECURITE

Pour utiliser un appareil électrique, des précautions élémentaires sont à respecter, telles que celles énumérées ci-dessous :

- 1. LISEZ L'ENSEMBLE DES INSTRUCTIONS AVANT L'USAGE**
2. Avant d'utiliser l'appareil, vérifiez que la tension du réseau correspond bien à celle notée sur la plaque signalétique de votre appareil.
3. Ne touchez pas les surfaces chaudes. Utilisez les poignées et les boutons.
4. Pour éviter les risques d'électrocution, n'immergez pas le cordon, la fiche, l'appareil ou le panneau de contrôle dans l'eau ou dans tout autre liquide.
5. Faites particulièrement attention lorsque l'appareil est utilisé par ou en présence d'enfants.
6. Ne faites pas fonctionner l'appareil si son cordon ou sa fiche est endommagé ou si l'appareil a présenté un dysfonctionnement ou est endommagé. Retournez l'appareil au centre de service autorisé pour le faire vérifier ou réparer.
7. Ne posez jamais d'objets sur l'appareil ou à proximité. Pour éviter tout risque d'incendie, veillez à ce que l'appareil n'entre pas en contact avec des matières inflammables comme des rideaux, une nappe, etc.
8. Débranchez l'appareil de la prise murale lorsqu'il n'est pas utilisé ou avant de le nettoyer. Laissez-le refroidir avant d'enlever ou d'ajouter des accessoires ou de le nettoyer.
9. Ne placez jamais de matériaux facilement inflammables comme du papier, du carton ou du plastique à l'intérieur ou à proximité de l'appareil.
10. N'utilisez pas la friteuse pour faire frire des aliments de trop grande taille car un incendie pourrait se déclarer.
11. L'utilisation d'accessoires non recommandés par le fabricant présente des risques d'incendie, d'électrocution ou de blessure.
12. N'utilisez pas l'appareil à l'extérieur.
13. Ne laissez pas le cordon pendre de la table ou du comptoir et évitez qu'il touche une surface chaude.
14. N'utilisez pas de rallonge.



Fax +1 305 430 9692

Copies of the I/B. Please reproduce them without any changes except under special instruction from Team International USA. The pages must be reproduced and folded in order to obtain a booklet A5 (+/- 148.5 mm width x 210 mm height). When folding, make sure you keep the good numbering when you turn the pages of the I/B. Don't change the page numbering. Keep the language integrity. **Print only what is inside the frame.**



15. Ne placez pas l'appareil sur ou près d'un brûleur à gaz ou électrique ou dans un four chaud.
16. Prenez un maximum de précautions lorsque vous déplacez un appareil contenant de l'huile chaude ou tout autre liquide chaud.
17. Il n'est pas spécifiquement recommandé de placer le couvercle sur la friteuse pendant son utilisation, car cela peut causer des débordements et ne pas donner les meilleurs résultats de cuisson. Pour ce type de friteuse, le couvercle peut n'être utilisé que pour le stockage et quand vous déplacez la friteuse (en prenant soin auparavant qu'elle soit refroidie complètement)
18. Insérez toujours le cordon d'abord dans l'appareil et ensuite dans la prise murale. Pour déconnecter l'appareil, débranchez-le d'abord de la prise murale.
19. N'utilisez pas cet appareil à des fins autres que celles pour lesquelles il est conçu.
20. Vérifiez que la poignée et le panier sont correctement assemblés et qu'ils ne risquent pas de se détacher. Référez-vous aux instructions d'assemblage pour plus de détails.

CONSERVEZ CES INSTRUCTIONS USAGE DOMESTIQUE UNIQUEMENT

INSTRUCTIONS POUR LES FICHES POLARISÉES

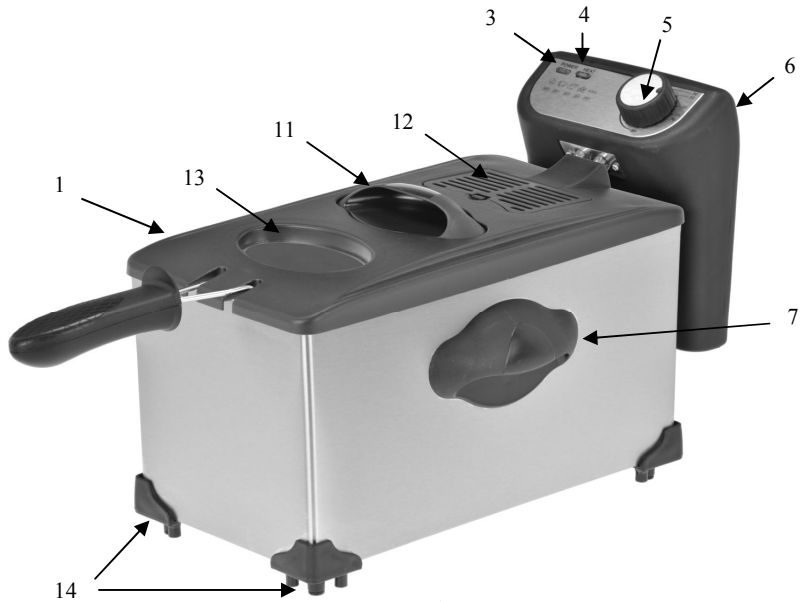
Cet appareil est équipé d'une prise polarisée (une des deux tiges métalliques est plus longue que l'autre). Pour réduire le risque de choc électrique, cette prise ne peut être introduite que d'une seule façon dans la fiche murale. Si cette prise ne rentre pas correctement dans la fiche, retournez-la. Si elle ne rentre toujours pas, contactez un électricien qualifié et reconnu. **N'essayez jamais de modifier vous-même la prise polarisée.**

CONSIGNES CONCERNANT LE CORDON

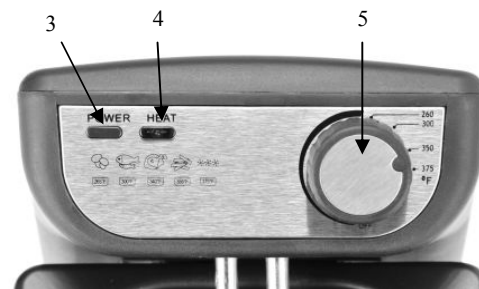
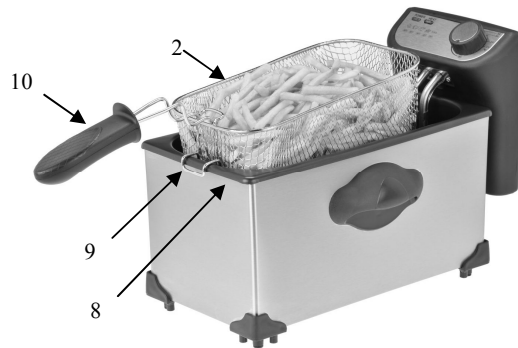
Le cordon d'alimentation de l'appareil est un cordon de type court, et ce afin de diminuer les risques d'accidents (chute si vous marchez sur le cordon...). N'utilisez pas l'appareil avec une rallonge.



DESCRIPTION



1. Couverture
2. Panier de friture
3. Témoin lumineux de fonctionnement (POWER)
4. Témoin lumineux de température (HEAT)
5. Contrôle du thermostat
6. Boîtier de contrôle avec élément chauffant
7. Poignées latérales
8. Cuve amovible
9. Crochet de suspension du panier
10. Poignée du panier
11. Poignée du couvercle
12. Boîtier du filtre
13. Fenêtre du couvercle
14. Pieds antidérapants





Fax +1 305 430 9692

Copies of the I/B. Please reproduce them without any changes except under special instruction from Team International USA. The pages must be reproduced and folded in order to obtain a booklet A5 (+/- 148.5 mm width x 210 mm height). When folding, make sure you keep the good numbering when you turn the pages of the I/B. Don't change the page numbering. Keep the language integrity. **Print only what is inside the frame.**



AVANT LE PREMIER USAGE

- Retirez tout matériel d'emballage de l'appareil.
- Retirez le couvercle, le panier, la poignée et tous les accessoires de l'appareil.
- Avant le premier usage il est recommandé de laver soigneusement le couvercle, la cuve, le panier, la poignée et l'extérieur de l'appareil à l'eau chaude savonneuse à l'aide d'un chiffon doux.

DEMONTAGE DE LA FRITEUSE

- Mettez de côté le panier et le couvercle.
- Retirez la résistance et le panneau de commande de l'appareil en faisant coulisser ce dernier vers le haut.
- Prenez la cuve des deux côtés et soulevez-la doucement.

MONTAGE DE LA FRITEUSE

- Posez la partie extérieure sur une surface horizontale et sèche.
- Placez la cuve intérieure dans la partie extérieure et descendez-la doucement.
- Remplacez le boîtier de contrôle et les accessoires. Pour remettre en place le boîtier de contrôle, faites-le glisser dans les rainures au dos de la partie extérieure jusqu'à ce que le panneau soit bien fixé.

NOTE: L'appareil ne sera opérationnel que si le panneau de commande est bien positionné. Un interrupteur de sécurité (sur la partie avant du boîtier de contrôle) empêche toute opération si le boîtier n'est pas correctement mis en place correctement.

- Fixez la poignée du panier. Pour cela, insérez les deux extrémités de la poignée dans les emplacements (anneaux) prévus sur la paroi à l'intérieur du panier. Faites ensuite pivoter la poignée jusqu'à la position de verrouillage, afin de pouvoir remonter le panier lors de l'utilisation.
- Poussez la partie trop longue du cordon dans le logement à l'arrière de l'appareil.



Fax +1 305 430 9692

Copies of the I/B. Please reproduce them without any changes except under special instruction from Team International USA. The pages must be reproduced and folded in order to obtain a booklet A5 (+/- 148.5 mm width x 210 mm height). When folding, make sure you keep the good numbering when you turn the pages of the I/B. Don't change the page numbering. Keep the language integrity. **Print only what is inside the frame.**



PREMIERE UTILISATION

- Lors de la première utilisation, remplissez la cuve d'huile entre le niveau minimum et le niveau maximum indiqué dans la cuve.
- Utilisez de préférence de l'huile spéciale pour friture. Vérifiez l'étiquette sur la bouteille d'huile.
- Si néanmoins vous préférez utiliser des pains de graisse, coupez-les en petits morceaux. Branchez l'appareil, mettez le thermostat sur la température la plus basse et ajoutez la graisse petit à petit. Quand la graisse est fondue, réglez le thermostat sur la température désirée. Attention : le non-respect de cette prescription peut endommager sérieusement votre friteuse.

UTILISATION

- Avant de brancher l'appareil, prenez toujours soin de vérifier que le niveau d'huile dans la friteuse est au-dessus du niveau MIN indiqué dans la cuve. Le non-respect du niveau minimum d'huile aura pour conséquence une surchauffe de l'huile dans la cuve, et déclenchera le thermostat de sécurité. (voir plus loin pour plus de détails). Votre friteuse contient 3.2L / 3.3qt au niveau de la marque « MIN » et 3.8L / 4.0qt d'huile au niveau « MAX ».
- Attachez le cordon magnétique à la friteuse, et ensuite insérez la fiche dans la prise murale. Respectez le sens indiqué sur la fiche magnétique.
- Ajustez le thermostat sur la température désirée. Le témoin lumineux de fonctionnement « POWER » (3) et le témoin de chauffe « HEAT » (4) s'allument. Dès que la température désirée est atteinte, le témoin lumineux de chauffe « HEAT » s'éteint. Lorsque la température baisse, le thermostat se réenclenche ainsi que ce témoin lumineux, qui s'éteint de nouveau dès que la température requise est atteinte.

Note : la lampe verte (4) s'allume et s'éteint par cycles, indiquant que le thermostat ajuste la température pour maintenir l'huile à la température désirée.

- Laissez l'huile arriver à la température désirée avant d'y placer la nourriture à frire.



Fax +1 305 430 9692

Copies of the I/B. Please reproduce them without any changes except under special instruction from Team International USA. The pages must be reproduced and folded in order to obtain a booklet A5 (+/- 148.5 mm width x 210 mm height). When folding, make sure you keep the good numbering when you turn the pages of the I/B. Don't change the page numbering. Keep the language integrity. **Print only what is inside the frame.**



- Mettez la nourriture à frire dans le panier. Ne surchargez pas le panier, de façon à ce que la température de l'huile ne chute pas quand la nourriture y sera immergée, ou pour éviter tout débordement. En règle générale, ne remplissez pas le panier a plus de la moitié, ou au-dessus d'un niveau situé 5cm en dessous du bord du panier.
- Une fois que l'huile a atteint la température désirée (témoin lumineux « HEAT » éteint), abaissez lentement le panier dans l'huile.
- Placez le couvercle sur la friteuse, ou non. Ce couvercle est muni de filtres qui réduiront les odeurs et la fumée.

Note : ne mettez pas le couvercle pour faire des frites ou pour frire des aliments contenant beaucoup d'eau

- Dès que les aliments sont cuits, enlevez le couvercle et remontez le panier par sa poignée, et laissez égoutter les aliments en l'accrochant sur le bord de la cuve, avec le crochet situé à l'arrière du panier.
- Quand l'huile excédentaire s'est égouttée, placez la nourriture sur une plaque de cuisson bordée de papier à graisse ou absorbant, pour permettre à toute l'huile excédentaire d'être évacuée.
- Assurez-vous que les aliments sont bien cuits à l'intérieur ainsi qu'à l'extérieur.
- Votre friteuse ne possède pas d'interrupteur marche/arrêt séparé. Après utilisation, veuillez donc remettre le thermostat sur la position « MIN » et débranchez la friteuse. Ne manipulez pas l'appareil avant que l'huile ou la graisse ait totalement refroidi. Ne l'exposez pas à une température excessivement froide quand l'huile est encore chaude.

ATTENTION :

- N'utilisez que des instruments ustensiles avec la friteuse. Des ustensiles de cuisine en plastique ou en caoutchouc fondraient et seraient endommagés par l'huile chaude.
- Faites toujours très attention en cours d'utilisation, afin d'éviter tout risque de blessure, brûlures ou de départ de feu. Ne laissez pas sans surveillance pendant l'utilisation. Faites attention quand utilisé près des enfants.



Fax +1 305 430 9692

Copies of the I/B. Please reproduce them without any changes except under special instruction from Team International USA. The pages must be reproduced and folded in order to obtain a booklet A5 (+/- 148.5 mm width x 210 mm height). When folding, make sure you keep the good numbering when you turn the pages of the I/B. Don't change the page numbering. Keep the language integrity. **Print only what is inside the frame.**



- De la vapeur va s'échapper de la ventilation prévue dans le couvercle. Ne placez pas votre main au-dessus des événements. En retirant le couvercle, ouvrez le toujours en ouvrant vers l'arrière de l'appareil pour laisser la vapeur s'échapper loin de vous.
- Pour limiter les risques d'éclaboussure ou de débordement, abaissez le panier très lentement dans l'huile. Si l'huile se met à mousser et monter, relevez le panier et laissez l'huile redescendre. Recommencez à abaisser le panier très doucement, et répétez jusqu'à ce que l'huile ne mousse plus.

CONSEILS PRATIQUES

- Essayez l'humidité des aliments avant de les frire. De la nourriture très humide peut faire bouillonner ou mousser l'huile et éventuellement la faire déborder.
- N'utilisez pas le couvercle pour faire des frites ou pour frire des aliments contenant beaucoup d'eau.
- Les frites sont meilleures si elles sont cuites en deux phases (voir la table des températures et temps de cuisson ci-après).
- Coupez les aliments à frire de façon uniforme pour qu'ils cuisent de façon uniforme.
- Certains aliments peuvent être panés ou enrobés de pâte pour
- Attendez que le préchauffage soit terminé et que le témoin s'éteigne avant de mettre les aliments dans l'huile.
- Ne remplissez pas trop le panier.
- Si vous devez frire en plusieurs bains, laissez le temps à l'huile de revenir à température (voyant « HEAT » éteint) avant d'y replonger un nouveau panier de nourriture.
- Il est nécessaire de remplacer l'huile si vous rencontrez les symptômes suivants :
 1. Odeur désagréable de l'huile
 2. Fumée excessive en cours de chauffage
 3. Huile très foncée
 4. Huile restée en stockage pendant une longue période.
- Frire de la nourriture enrobée de pâte (beignets, ...) vous demandera de remplacer l'huile plus régulièrement.
- Si vous souhaitez réutiliser l'huile de friture, il est recommandé d'en retirer les particules de nourriture qui pourraient y être restées. Utilisez une passoire métallique fine au-dessus d'un grand



Fax +1 305 430 9692

Copies of the I/B. Please reproduce them without any changes except under special instruction from Team International USA. The pages must be reproduced and folded in order to obtain a booklet A5 (+/- 148.5 mm width x 210 mm height). When folding, make sure you keep the good numbering when you turn the pages of the I/B. Don't change the page numbering. Keep the language integrity. **Print only what is inside the frame.**



bol pour passer l'huile. Pour des meilleurs résultats, vous pouvez filtrer l'huile à travers deux couches d'étamine placées dans la passoire. Une fois l'huile passée, conservez-la au réfrigérateur ou dans la cuve.

THERMOSTAT DE SECURITE

ATTENTION : Votre friteuse est munie d'un thermostat de sécurité qui arrête l'appareil en cas de surchauffe accidentelle (par exemple en cas de dysfonctionnement du thermostat principal). Une surchauffe peut aussi survenir si l'huile utilisée est trop vieille, et a épaissi, et s'il n'y a pas assez d'huile dans la cuve.

Pour réinitialiser le thermostat de sécurité après une coupure :

- Eteignez tout d'abord l'appareil en tournant le thermostat sur MIN, puis débranchez la prise de courant.
- Attendez alors le refroidissement de votre friteuse (environ 15 minutes).
- Retirez le boîtier de contrôle du corps de l'appareil.
- Réenclenchez le bouton RESET en insérant un tournevis fin ou un cure-dent au fond de l'orifice marqué du mot RESET à l'arrière de l'appareil, sur la gauche.
- Corrigez le niveau d'huile ou changez l'huile si elle est trop vieille.
- Réassemblez la friteuse et recommencez l'opération.

Votre friteuse est alors de nouveau opérationnelle. Pour vous assurer que ceci ne se reproduise plus, lisez attentivement les instructions d'utilisation.



Fax +1 305 430 9692

Copies of the I/B. Please reproduce them without any changes except under special instruction from Team International USA. The pages must be reproduced and folded in order to obtain a booklet A5 (+/- 148.5 mm width x 210 mm height). When folding, make sure you keep the good numbering when you turn the pages of the I/B. Don't change the page numbering. Keep the language integrity. **Print only what is inside the frame.**



TEMPÉRATURES ET TEMPS DE CUISSON

ALIMENTS	TEMPERATURE	MINUTES (approximativement)
Filets de poissons panés	340°F / 170°C	6-7
Scampi	300°F / 150°C	4-6
Blanc de poulet	350°F / 175°C	4-5
Poulet pané	340°F / 170°C	12-15
Rondelles d'oignons	355°F / 180°C	4
Champignons panés	355°F / 180°C	3-4
Brocoli frit	365°F / 185°C	3-4
Courgettes frites	365°F / 185°C	3-4
Beignet de céleri	355°F / 180°C	3-4
Frites (1 ^{ère} cuisson)	340°F / 170°C	8
Frites (2 ^{ème} cuisson)	355°F / 180°C	2

NETTOYAGE

- **Mise en garde: Ne pas immerger l'appareil assemblé dans l'eau ou tout autre liquide.**
- Retirez la fiche de la prise.
- Laissez refroidir l'appareil avant de commencer le nettoyage.
Attention: la résistance peut rester chaude longtemps après avoir débranché l'appareil. **NE PLONGEZ JAMAIS LE PANNEAU DE COMMANDE DANS L'EAU OU DANS TOUT AUTRE LIQUIDE.**
- Voir chapitre "Démontage de la friteuse".
- Evitez d'utiliser des détergents agressifs ou des éponges trop dures qui abîmeraient la friteuse.
- Séchez soigneusement toutes les parties de l'appareil.
- Remplacez votre huile régulièrement.
- Pour assembler votre friteuse, référez-vous au paragraphe "Montage de la friteuse".

RANGEMENT

- Attendez que la friteuse ait complètement refroidi.
- L'huile peut rester dans l'appareil. Fermez bien le couvercle pour éviter que la poussière n'entre dans la cuve.



Fax +1 305 430 9692

Copies of the I/B. Please reproduce them without any changes except under special instruction from Team International USA. The pages must be reproduced and folded in order to obtain a booklet A5 (+/- 148.5 mm width x 210 mm height). When folding, make sure you keep the good numbering when you turn the pages of the I/B. Don't change the page numbering. Keep the language integrity. **Print only what is inside the frame.**



EN CAS DE PROBLEME

Problèmes	Solutions
L'APPAREIL NE FONCTIONNE PAS	Assurez-vous que l'appareil est branché sur la prise de courant, et que la prise n'est pas disjonctée ; vérifiez le bon assemblage du boîtier de contrôle sur le corps de l'appareil (l'interrupteur de sécurité doit être enclenché), assurez-vous que la fiche magnétique est bien reliée à l'appareil.
L'APPAREIL S'ARRETE SUBITEMENT DE FONCTIONNER EN COURS D'OPERATION	Assurez-vous que la fiche magnétique est bien reliée à l'appareil. Il est possible que l'appareil ait surchauffé ; dans ce cas suivez les instructions décrites au paragraphe « Thermostat de sécurité ».



Fax +1 305 430 9692

Copies of the I/B. Please reproduce them without any changes except under special instruction from Team International USA. The pages must be reproduced and folded in order to obtain a booklet A5 (+/- 148.5 mm width x 210 mm height). When folding, make sure you keep the good numbering when you turn the pages of the I/B. Don't change the page numbering. Keep the language integrity. **Print only what is inside the frame.**



RECETTES

Frites fraîches

- Il est recommandé de cuire les frites en deux fois.
- Utilisez de vieilles pommes de terre (pas des nouvelles). Coupez-les en morceaux égaux. Rincez les morceaux sous l'eau pour les débarrasser de leur amidon. Essuyez-les soigneusement.
- Ne dépassez pas le poids recommandé. Mettez les frites dans le panier quand la température atteint les 340°F/170°C et descendez le panier lentement dans l'huile.
- Le temps de friture requis pour 500 g de frites est de 8 minutes à 340°F/170°C. Enlevez ensuite le panier de l'huile.
- Portez la température à 355°F/180°C
- Attendez que le témoin s'éteigne de nouveau, redescendez le panier et faites cuire encore pendant environ deux minutes.
- Soulevez le panier et laissez égoutter les frites.
- Pour obtenir le meilleur résultat, séchez les frites avec de l'essuie-tout pour absorber la graisse.
- Le temps de friture peut varier légèrement selon la qualité des pommes de terre et l'épaisseur des frites.

Rondelles d'oignons

- Temps de friture: 4 à 5 minutes à 350°F/175°C.
- Epluchez et coupez les oignons. Divisez les morceaux en rondelles.
- Plongez les rondelles dans du lait épicié.
- Saupoudrez de farine.
- Mettez les rondelles les unes à côté des autres dans le panier et faites-en cuire quelques-unes à la fois.

Champignons panés

- Temps de friture: 4 à 5 minutes à 350°F/175°C.
- Plongez les champignons dans un œuf battu.
- Couvrez-les de chapelure.
- Mettez les champignons les uns à côté des autres dans le panier et faites-en cuire quelques-uns à la fois.

Bâtonnets de sole

- Temps de friture : 3 à 4 minutes à 320°F/160°C.
- Coupez le filet de sole en bâtonnets. Saupoudrez de farine.
- Plongez-les dans un œuf battu et couvrez-les de chapelure.
- Mettez les bâtonnets les uns à côté des autres dans le panier et faites-en cuire quelques-uns à la fois.



Fax +1 305 430 9692

Copies of the I/B. Please reproduce them without any changes except under special instruction from Team International USA. The pages must be reproduced and folded in order to obtain a booklet A5 (+/- 148.5 mm width x 210 mm height). When folding, make sure you keep the good numbering when you turn the pages of the I/B. Don't change the page numbering. Keep the language integrity. **Print only what is inside the frame.**



GARANTIE

Nous vous suggérons de remplir et de nous renvoyer rapidement la Carte d'Enregistrement Produit ci-jointe afin de faciliter la vérification de la date d'achat. Cependant, le renvoi de la Carte d'Enregistrement Produit n'est pas une condition indispensable à l'application de la présente garantie. Vous pouvez aussi remplir cette carte de garantie en ligne à l'adresse suivante : **www.KALORIK.com**.

A compter de la date d'achat, ce produit KALORIK est garanti un an, sur le territoire des Etats-Unis, contre les défauts matériels et de fabrication. Cette garantie n'est pas transférable. Conservez la preuve d'achat originelle. Une preuve d'achat est exigée pour obtenir l'application de la garantie.

Durant cette période, le produit KALORIK qui, après inspection par KALORIK, s'avère défectueux, sera réparé ou remplacé, au choix de KALORIK, sans frais pour le consommateur. Si un produit de remplacement est envoyé, c'est la garantie restante du produit originel qui s'appliquera.

La présente garantie ne s'applique pas aux défauts dus à une mauvaise utilisation de la part de l'acheteur ou de l'utilisateur, à une négligence, au non-respect des consignes du manuel d'utilisation KALORIK, à une utilisation sur un circuit électrique au voltage différent de celui renseigné sur le produit, à une usure normale, à des modifications ou réparations non autorisées par KALORIK, ou par un usage à des fins commerciales. Il n'existe pas de garantie pour les parties en verre, récipients en verre, filtres, paniers, lames et accessoires en général. Il n'existe également pas de garantie pour les pièces perdues par l'utilisateur.

Toute garantie de valeur commerciale ou d'adaptabilité à ce produit est également limitée à la garantie d'un an.

Certains états ne limitent pas la longueur de la garantie tacite ou n'autorisent pas l'exclusion de dommages-intérêts accessoires ou indirects, les restrictions ci-dessus peuvent donc ne pas s'appliquer à



Fax +1 305 430 9692

Copies of the I/B. Please reproduce them without any changes except under special instruction from Team International USA. The pages must be reproduced and folded in order to obtain a booklet A5 (+/- 148.5 mm width x 210 mm height). When folding, make sure you keep the good numbering when you turn the pages of the I/B. Don't change the page numbering. Keep the language integrity. **Print only what is inside the frame.**



vous. Cette garantie vous donne des droits légaux particuliers, et certains droits peuvent varier d'un état à l'autre.

Si l'appareil devait présenter un défaut durant la période de garantie et plus de 30 jours après l'achat, ne ramenez pas l'appareil au magasin : souvent, notre Service Clientèle peut aider à résoudre le problème sans que le produit ne doive être réparé. Si une réparation est nécessaire, un représentant peut confirmer si le produit est sous garantie et vous rediriger vers notre centre de réparation.

Le cas échéant, ramenez le produit (ou envoyez-le, dûment affranchi), ainsi qu'**une preuve d'achat**, en mentionnant **le numéro d'autorisation de retour**, indiqué par notre service clientèle, au service après-vente KALORIK agréé (visitez notre site internet **www.KALORIK.com** ou appelez notre département Service Clientèle pour obtenir l'adresse du service après-vente KALORIK agréé).

Si vous envoyez le produit, veuillez y joindre une lettre expliquant la nature du défaut.

Si vous avez des questions complémentaires, veuillez appeler notre département Service Clientèle (voyez plus bas pour les coordonnées complètes), du Lundi au Jeudi de 9h à 17h (EST) et le Vendredi de 9h à 16h (EST). Veuillez noter que les heures sont sujettes à modification.

Si vous souhaitez nous écrire, adressez votre courrier à:

KALORIK Customer Service Department

Team International Group of America Inc.
1400 N.W 159th Street, Suite 102
Miami Gardens, FL 33169 USA

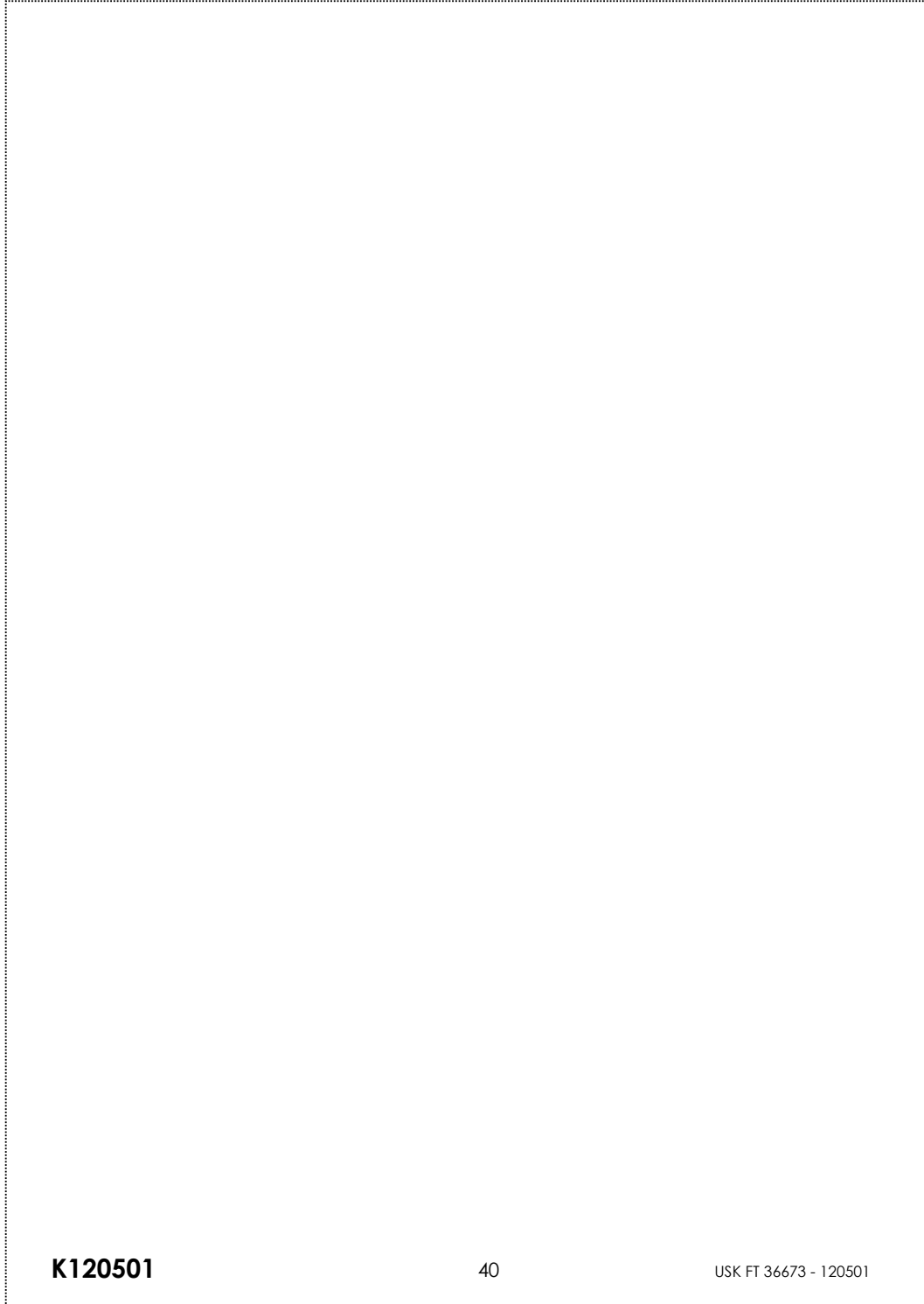
Ou appelez (Gratuitement des Etats-Unis): +1 888-521-TEAM ou +1 888-KALORIK.

Seules les lettres seront acceptées à l'adresse ci-dessus. Les envois et colis n'ayant pas de numéro d'autorisation de retour seront refusés.



Fax +1 305 430 9692

Copies of the I/B. Please reproduce them without any changes except under special instruction from Team International USA. The pages must be reproduced and folded in order to obtain a booklet A5 (+/- 148.5 mm width x 210 mm height). When folding, make sure you keep the good numbering when you turn the pages of the I/B. Don't change the page numbering. Keep the language integrity. **Print only what is inside the frame.**



K120501

40

USK FT 36673 - 120501

Assembly page 40/40

Free Manuals Download Website

<http://myh66.com>

<http://usermanuals.us>

<http://www.somanuals.com>

<http://www.4manuals.cc>

<http://www.manual-lib.com>

<http://www.404manual.com>

<http://www.luxmanual.com>

<http://aubethermostatmanual.com>

Golf course search by state

<http://golfingnear.com>

Email search by domain

<http://emailbydomain.com>

Auto manuals search

<http://auto.somanuals.com>

TV manuals search

<http://tv.somanuals.com>