




KALORIK



Steam press

Prensa de planchar

USK STP 20159

120V~60Hz 1350W



Front cover page (first page)

Assembly page 1/24



Fax +32 2 359 95 50

Copies of the I/B. Please reproduce them without any changes except under special instruction from Team International BELGIUM. The pages must be reproduced and folded in order to obtain a booklet A5 (+/- 148.5 mm width x 210 mm height). When folding, make sure you keep the good numbering when you turn the pages of the I/B. Don't change the page numbering. Keep the language integrity. **Print only what is inside the frame.**



(EN) OPERATING INSTRUCTIONS

IMPORTANT SAFEGUARDS

1. READ ALL INSTRUCTIONS

2. Use the appliance only for its intended use.
3. Check that your mains voltage corresponds to that stated on the appliance.
4. To protect against electrical shock do not immerse cord, plugs, or appliance in water or other liquid.
5. The power switch must always be put in "OFF" position before plugging or unplugging from the outlet. Never yank the cord to disconnect from the outlet; instead, grasp the plug and pull to disconnect.
6. Do not allow the cord to touch the hot surfaces. Let the appliance cool down completely before putting it away.
7. Always disconnect the appliance from the electrical outlet when filling with water or emptying and when not in use. Be careful to avoid spilling water on the appliance when filling.
8. Do not operate the appliance with a damaged cord or plug or after the appliance has been dropped or damaged in any manner. To avoid the risk of electric shock, do not disassemble the appliance; take it to a qualified serviceman for examination and repair. Incorrect reassembly can cause a risk of electric shock when the appliance is used.
9. Close supervision is necessary when the appliance is used by or near children.
10. Burns can occur from touching hot metal parts, hot water or steam.
11. If the appliance is not operating normally, disconnect from the power supply and have the appliance serviced by an authorized service center.
12. Do not let the cord hang over the edge of counters.
13. Always put the appliance in a secure place on a table or counter when using.
14. Do not move the appliance without unplugging it first.



Fax +32 2 359 95 50

Copies of the I/B. Please reproduce them without any changes except under special instruction from Team International BELGIUM. The pages must be reproduced and folded in order to obtain a booklet A5 (+/- 148.5 mm width x 210 mm height). When folding, make sure you keep the good numbering when you turn the pages of the I/B. Don't change the page numbering. Keep the language integrity. **Print only what is inside the frame.**



15. Use distilled water in the appliance. Do not use perfumed or products containing alcohol in the appliance.
16. This appliance must be grounded. Do not alter the plug or attempt to defeat this feature.
17. This appliance **IS NOT** intended for use by young children or infirm persons unless they have been adequately supervised by a responsible person to ensure that they can use the appliance safely.
18. Young children should be supervised to ensure that they **DO NOT** play with the appliance.

SPECIAL INSTRUCTIONS

- To avoid a circuit overload, do not operate another high wattage appliance on the same circuit.
- If an extension cord is absolutely necessary, a 10-ampere cord should be used. Cords rated for less amperage may overheat. Care should be taken to arrange the cord so that it cannot be pulled or tripped over.

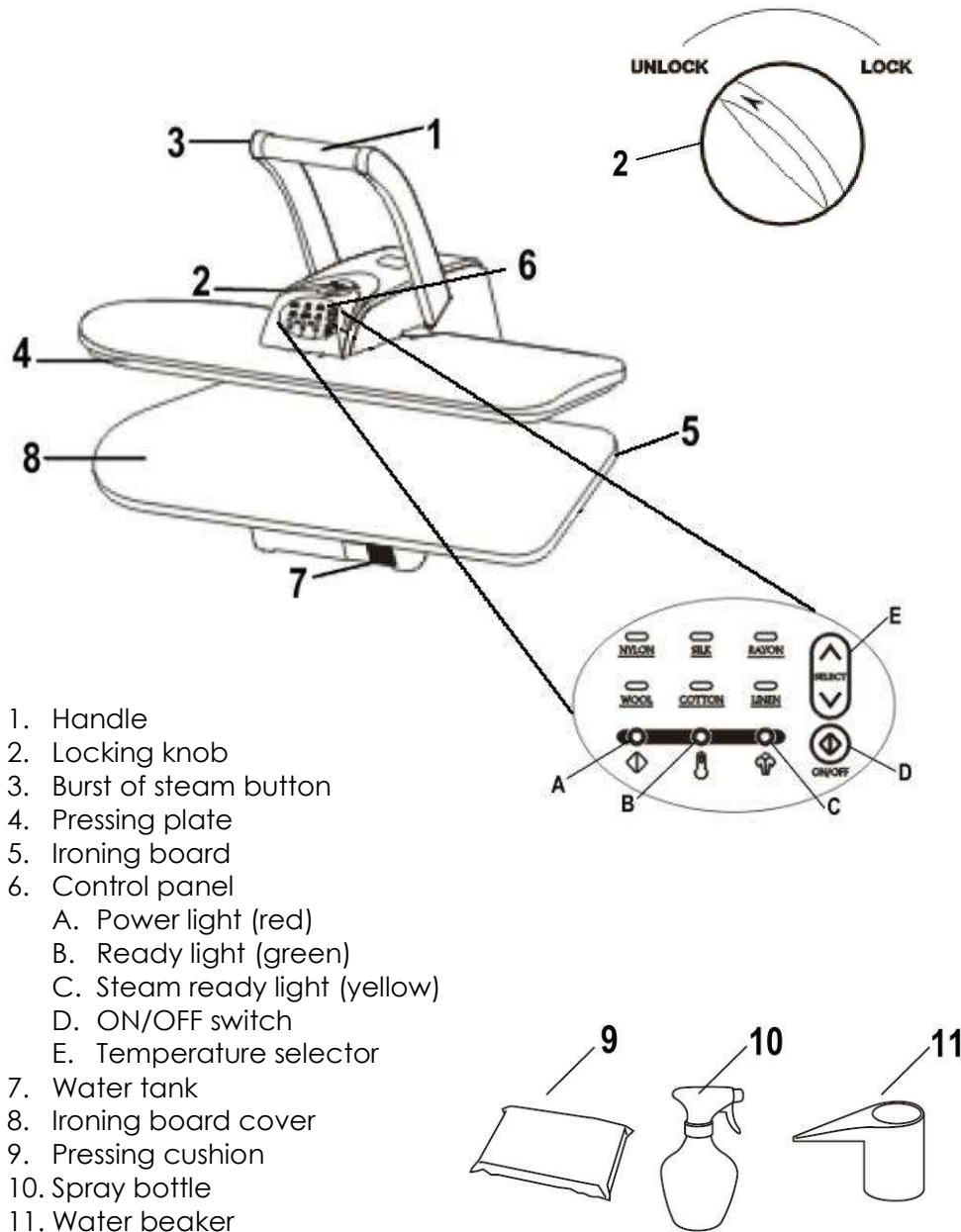
SAVE THESE INSTRUCTIONS

3-PRONG PLUG INSTRUCTIONS

For your personal safety, this appliance must be grounded. This appliance is equipped with a power supply cord having a 3-prong grounding plug. To minimize possible shock hazard, the cord must be plugged into a mating 3-prong, grounding type, wall receptacle, grounded in accordance with the National Electrical Code ANSI/NFPA 70 latest edition and all local codes and ordinances. If a mating wall receptacle is not available, it is the personal responsibility and obligation of the customer to have a properly grounded, 3-prong, wall receptacle installed by a qualified electrician.



PART DESCRIPTION



1. Handle
2. Locking knob
3. Burst of steam button
4. Pressing plate
5. Ironing board
6. Control panel
 - A. Power light (red)
 - B. Ready light (green)
 - C. Steam ready light (yellow)
 - D. ON/OFF switch
 - E. Temperature selector
7. Water tank
8. Ironing board cover
9. Pressing cushion
10. Spray bottle
11. Water beaker



Fax +32 2 359 95 50

Copies of the I/B. Please reproduce them without any changes except under special instruction from Team International BELGIUM. The pages must be reproduced and folded in order to obtain a booklet A5 (+/- 148.5 mm width x 210 mm height). When folding, make sure you keep the good numbering when you turn the pages of the I/B. Don't change the page numbering. Keep the language integrity. **Print only what is inside the frame.**



BEFORE USE

Set the appliance on a sturdy work surface. Unlock the locking knob.

FILLING THE WATER TANK



Use preferably demineralized water. If you want to use the steam function fill the water tank as follows:

- 1) Unplug the steam press from the outlet to let it cool down.
- 2) The pressing plate must be lifted to the raised (up) position.
- 3) Slide the water tank towards the front of the unit. It will not come completely out so do not force it to do so. Using the water beaker, slowly pour the distilled water into the water tank. Never overfill the water tank. The water level can be seen through the front of the tank.
- 4) Be careful to avoid spilling water onto the steam press when filling.
- 5) Slide the water tank back in.
- 6) When pressing, unplug the appliance before refilling.

USE

- Make sure the locking knob is in the open position (UNLOCK) allowing free movement of the pressing plate before plugging in the appliance.
- Lift the pressing plate to the fully raised (up) position.
- Plug the appliance into an electric outlet.
- Press "ON/OFF" and the red power light will turn on.

TEMPERATURE SETTINGS

- You can choose the temperature setting according the cloth to press (see table below).
- Press the *SELECT* arrow buttons to choose the kind of fabric you wish to press. Press  to move selection to higher setting and press  to move selection to lower setting. If you doubt, have a look at the garment label.
- When the green ready light goes off, the pressing plate has reached the temperature for the desired setting.



Fax +32 2 359 95 50

Copies of the I/B. Please reproduce them without any changes except under special instruction from Team International BELGIUM. The pages must be reproduced and folded in order to obtain a booklet A5 (+/- 148.5 mm width x 210 mm height). When folding, make sure you keep the good numbering when you turn the pages of the I/B. Don't change the page numbering. Keep the language integrity. **Print only what is inside the frame.**



- When changing the setting from a higher selection to a lower setting allow several minutes for the pressing plate to cool sufficiently after making the change.

Kind of textile	Temperature	Steam
Nylon	100°C / 212°F	NO
Silk	130°C / 266°F	NO
Rayon	140°C / 284°F	NO
Wool	160°C / 320°F	YES
Cotton	200°C / 392°F	YES
Linen	210°C / 410°F	YES

NOTE: You may find it more efficient to arrange your fabrics from those requiring the lowest setting to those requiring the highest setting and proceed accordingly. This will avoid any unnecessary delay or wait for the pressing plate to cool.

STEAM CONTROL

- Steam is produced only when the yellow steam ready light is on.
- The green ready light goes off when the unit has reached the desired temperature. The yellow steam ready light will come on when the unit is ready to produce steam.
- If this is the first time you are using the steam press or you have been storing it for some time, lift the pressing plate into the raised position and press the burst of steam button several times until the steam begins to flow.
- The burst of steam function can only be used when the steam ready light is on AND the steam press is in a slightly opened position. Do not use the burst of steam function when the steam press is closed, or you may damage the unit.
- Do not press the burst of steam button for more than 5 seconds or water may drip on your garment.



Fax +32 2 359 95 50

Copies of the I/B. Please reproduce them without any changes except under special instruction from Team International BELGIUM. The pages must be reproduced and folded in order to obtain a booklet A5 (+/- 148.5 mm width x 210 mm height). When folding, make sure you keep the good numbering when you turn the pages of the I/B. Don't change the page numbering. Keep the language integrity. **Print only what is inside the frame.**



PRESSING

- Make sure the locking knob (2) is in the open position (UNLOCK).
- Lift the handle (1). The pressing plate (4) moves to the up position.
- Carefully arrange the garment to be pressed onto the ironing board (5).
- Grasp the handle of the pressing plate (4) and lower it onto the ironing board (5), capturing the garment between the two halves of the steam press.
- For lightly creased garments, simply lowering the handle and allowing the pressing plate to rest on the ironing board will be sufficient. Return to the open position. For very creased garments, continue to grasp the handle and press downward until the pressing plate is pushed to its lowest position, and then open the press.
- If the temperature is set high enough you may give the fabric a burst of steam by pressing the burst of steam button (3) to remove stubborn wrinkles. Lower the pressing plate until it is about two inches from the garment. Press the burst of steam button for about 3-5 seconds. After releasing the burst of steam button you may fully lower the pressing plate.
NOTE: Do not press the burst of steam button when the pressing plate is in its lowest (closed) position.
- After a few seconds, lift the handle and raise the pressing plate back to the raised position.

USING THE SPRAY BOTTLE

Lightly spray the garment before placing it on the ironing board. This helps to distribute an even, fine mist over the fabric, preparing it to be pressed, and removing all wrinkles.

USING THE PRESSING CUSHION

Some garments have been constructed with details, such as darts, curved seams and shoulder pads, which are not intended to be pressed flat. A pressing cushion is supplied with your steam press for use with these areas.

- Use the cushion whenever pressing areas where no creases are desired or to shape tailored garments.



Fax +32 2 359 95 50

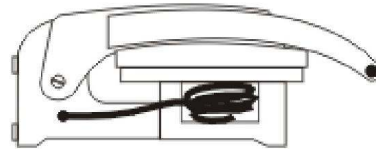
Copies of the I/B. Please reproduce them without any changes except under special instruction from Team International BELGIUM. The pages must be reproduced and folded in order to obtain a booklet A5 (+/- 148.5 mm width x 210 mm height). When folding, make sure you keep the good numbering when you turn the pages of the I/B. Don't change the page numbering. Keep the language integrity. **Print only what is inside the frame.**



- Place the area to be pressed onto the ironing board.
- Place the pressing cushion under the dart, seam etc.
- Make sure the area to be pressed is raised and lower the pressing plate. The raised area is the only area the plate should contact.
NOTE: Do not attempt to lower the pressing plate to its lowest position or lock the pressing plate against the ironing board with the pressing cushion in place. You **MAY DAMAGE** the steam press by doing so.
- Raise the pressing plate after a few seconds.

STORING

- Water may be left in the water tank, because it will not drip out if the machine is stored in an upright position. However, it is recommended that if the machine will be stored for some time, that all the water in the unit should be drained by pressing the burst of steam button until all of the water is pumped out.
- Press "ON/OFF", the red power light will go out. Disconnect the plug from the outlet. Leave appliance in open position.
- Wait for the steam press to cool completely (approximately 30 minutes).
- When cool, lower the pressing plate onto the ironing board pushing the handle to its lowest position.
- Turn the locking knob to the locked position. This should prevent the steam press from opening while being moved or stored.
- Loosely wrap the electric cord and place it in the opening at the front of the base of the ironing board. You are now ready to store the unit.



CLEANING

- To clean the pressing plate, place the pressing cushion in the center of the ironing board. Place a clean towel over the pressing cushion and the ironing board. Set the temperature control to its maximum setting. When the ready light comes on and the steam ready light goes off, gently lower the pressing plate onto the pressing cushion. With water in the water tank, press the burst of steam button 6 to 7 times. Be careful to avoid



Fax +32 2 359 95 50

Copies of the I/B. Please reproduce them without any changes except under special instruction from Team International BELGIUM. The pages must be reproduced and folded in order to obtain a booklet A5 (+/- 148.5 mm width x 210 mm height). When folding, make sure you keep the good numbering when you turn the pages of the I/B. Don't change the page numbering. Keep the language integrity. **Print only what is inside the frame.**



touching the hot metal surfaces or leaving your hand in the bursts of steam.

- Once the pressing plate has cooled down you can clean the surface with a damp cloth. DO NOT use any abrasives on the pressing plate. This pressing plate has a non-stick coating that will assist in cleaning.
- The ironing board cover is removable for normal washing. You can rinse the ironing board cover with mild detergent and warm water.

SAFETY FEATURES

The multiple function safety features of this appliance turn off electric power to the heater when the pressing plate has been left against the ironing board for about 10 seconds. You will hear a warning beep. If the pressing plate is left in the open (up) position without use after approximately 15 minutes, the unit will be automatically shut-off. In either case, to restore the unit, you have to press "ON/OFF" again.



Fax +32 2 359 95 50

Copies of the I/B. Please reproduce them without any changes except under special instruction from Team International BELGIUM. The pages must be reproduced and folded in order to obtain a booklet A5 (+/- 148.5 mm width x 210 mm height). When folding, make sure you keep the good numbering when you turn the pages of the I/B. Don't change the page numbering. Keep the language integrity. **Print only what is inside the frame.**



TROUBLE SHOOTING

PROBLEM	CAUSE	SOLUTION
Steam press cannot be opened with the handle	Locking knob is in locked position	Turn the locking knob to the unlocked position
Steam press becomes warm but DOES NOT remove wrinkles.	Temperature setting is not high enough for the fabric attempted.	Gradually increase the temperature until obtaining the desired results.
Press DOES NOT get warm.	Temperature has not been selected	Make a proper selection.
	Press is not plugged into an outlet.	Plug the appliance in.
	Automatic Shut-Off has engaged. The pressing plate has been raised for more than 15 minutes without use.	Press "ON/OFF" again.
No Steam	Water Level is too low.	Fill the water tank.
	Controls have not been properly set.	If suitable for the fabric, make a selection to a higher temperature. Wait for the steam ready light to come on. If not use spray misting bottle as directed.
Water drips from the pressing plate.	Burst of steam button has been pressed too long.	Don't press the burst of steam button more than 5 seconds continuously.
The handle will not move into the automatic maximum pressure position.	Item on the ironing board is too thick to use this pressure.	Use lighter pressure on thicker items. Use added steam for wrinkles.



Fax +32 2 359 95 50

Copies of the I/B. Please reproduce them without any changes except under special instruction from Team International BELGIUM. The pages must be reproduced and folded in order to obtain a booklet A5 (+/- 148.5 mm width x 210 mm height). When folding, make sure you keep the good numbering when you turn the pages of the I/B. Don't change the page numbering. Keep the language integrity. **Print only what is inside the frame.**



WARRANTY

We suggest that you complete and return the enclosed Product Registration Card promptly to facilitate verification of the date of original purchase. However, return of the Product Registration Card is not a condition of these warranties. You can also fill this warranty card online, at the following address: www.KALORIK.com

This KALORIK product is warranted in the U.S.A. for 1 year from the date of purchase against defects in material and workmanship. This warranty is not transferable. Keep the original sales receipt. Proof of purchase is required to obtain warranty performance.

During this period, the KALORIK product that, upon inspection by KALORIK, is proved defective, will be repaired or replaced, at Kalorik's option, without charge to the customer. If a replacement product is sent, it will carry the remaining warranty of the original product.

This warranty does not apply to any defect arising from a buyer's or user's misuse of the product, negligence, failure to follow KALORIK instructions noted in the user's manual, use on current or voltage other than that stamped on the product, wear and tear, alteration or repair not authorized by KALORIK, or use for commercial purposes. There is no warranty for glass parts, glass containers, filter basket, blades and agitators, and accessories in general. There is also no warranty for parts lost by the user.

ANY WARRANTY OF MERCHANTABILITY OR FITNESS WITH RESPECT TO THIS PRODUCT IS ALSO LIMITED TO THE ONE YEAR LIMITED WARRANTY PERIOD.

Some states do not allow limitation on how long an implied warranty lasts or do not allow the exclusion of incidental or consequential damages, so the above limitations may not apply to you. This warranty gives you specific legal rights, and you may also have other rights which vary from state to state.



Fax +32 2 359 95 50

Copies of the I/B. Please reproduce them without any changes except under special instruction from Team International BELGIUM. The pages must be reproduced and folded in order to obtain a booklet A5 (+/- 148.5 mm width x 210 mm height). When folding, make sure you keep the good numbering when you turn the pages of the I/B. Don't change the page numbering. Keep the language integrity. **Print only what is inside the frame.**



If the appliance should become defective within the warranty period and more than 30 days after date of purchase, do not return the appliance to the store: often, our Consumer Service Representatives can help solve the problem without having the product serviced. If servicing is needed, a Representative can confirm whether the product is under warranty and direct you to the nearest service location.

If this is the case, bring the product, or send it, postage prepaid by the user (all Kalorik customers are responsible for the initial shipment back to the warranty center), along **with proof of purchase** and indicating a **return authorization number** given by our Consumer Service Representatives, to the authorized KALORIK Service Center (please visit our website at www.KALORIK.com or call our Customer Service Department for the address of our authorized KALORIK Service Center).

If you send the product, please include a letter explaining the nature of the claimed defect.

If you have additional questions, please call our Consumer Service Department (please see below for complete contact information), Monday through Friday from 9:00am - 6:00pm (EST). Please note hours are subject to change.

If you would like to write, please send your letter to:

KALORIK Consumer Service Department

Team International Group of America Inc.
1400 N.W 159th Street, Suite 102
Miami Gardens, FL 33169 USA

Or call:

Toll Free: +1 888-521-TEAM / +1 888-KALORIK

Only letters can be accepted at this address above. Shipments and packages that do not have a return authorization number will be refused.



Fax +32 2 359 95 50

Copies of the I/B. Please reproduce them without any changes except under special instruction from Team International BELGIUM. The pages must be reproduced and folded in order to obtain a booklet A5 (+/- 148.5 mm width x 210 mm height). When folding, make sure you keep the good numbering when you turn the pages of the I/B. Don't change the page numbering. Keep the language integrity. **Print only what is inside the frame.**



(SP) MANUAL DE INSTRUCCIONES

CONSEJOS DE SEGURIDAD

- 1. LEA TODAS LAS INSTRUCCIONES.**
2. Use el aparato sólo para el uso al que está destinado.
3. Antes de utilizar el aparato, compruebe que el voltaje de la red eléctrica coincide con el del aparato.
4. Para protegerse contra una descarga eléctrica, no sumerja el aparato, el cable o el enchufe en agua o en otros líquidos.
5. Ponga siempre el interruptor en la posición "OFF" antes de enchufar o desenchufar el aparato. Nunca tire del cable para desconectarla de la toma de corriente, sujete el enchufe y tire de él para desconectarla.
6. No permita que el cable toque superficies calientes. Deje enfriar el aparato del todo antes de guardarlo.
7. Siempre desconecte el aparato de la toma de corriente cuando esté llenando el depósito de agua o vaciándolo y también cuando el aparato no esté en uso. Tenga cuidado de no derramar agua en el aparato durante el llenado.
8. No utilice el aparato si el cable o el enchufe están dañados o si el aparato se cayó o está dañado. Para evitar el riesgo de choque eléctrico, no desarme el aparato. Llévelo a un centro de servicio autorizado para que lo examinen y/o reparen. Si lo vuelva a montar el aparato de forma incorrecta, podría provocar de un choque eléctrico durante el uso.
9. Es siempre necesaria la supervisión cercana cuando este aparato esté utilizado cerca de niños. Este aparato no debe ser usado por niños.
10. Se pueden producir quemaduras por contacto con las partes de metal calientes, el agua caliente o el vapor.
11. Si el aparato no funciona normalmente, desconéctelo de la toma de corriente y hágalo revisar por un centro de servicio autorizado.
12. No permita que el cable cuelgue de la orilla del mostrador
13. Coloque el aparato en una mesa o un mostrador sólido para utilizarlo.



Fax +32 2 359 95 50

Copies of the I/B. Please reproduce them without any changes except under special instruction from Team International BELGIUM. The pages must be reproduced and folded in order to obtain a booklet A5 (+/- 148.5 mm width x 210 mm height). When folding, make sure you keep the good numbering when you turn the pages of the I/B. Don't change the page numbering. Keep the language integrity. **Print only what is inside the frame.**



14. Desenchufe siempre el aparato antes de desplazarlo.
15. Utilice agua destilada con este aparato. No utilice productos perfumados o a base de alcohol en el aparato.
16. Conecte siempre este aparato a una toma de tierra. No intente modificar el enchufe o la toma.
17. Este aparato **NO DEBE** ser utilizado por niños o personas con incapacidades salvo si están bajo la vigilancia de una persona responsable de su seguridad.
18. Los niños deben ser vigilados para asegurarse de que **NO JUEGUEN** con el aparato.

INSTRUCCIONES ESPECIALES

- Para evitar una sobrecarga del circuito no haga funcionar otro aparato de alto voltaje en el mismo circuito.
- Si resulta absolutamente necesario usar un cable de extensión, se debe usar un cable de 10 amperios. Los cables con tensiones nominales menores pueden sobrecalentarse. Se debe cuidar de poner el cable de extensión de modo tal que no pueda ser arrancado o provocar tropiezos.

GUARDE ESTAS INSTRUCCIONES SOLAMENTE PARA USO DOMESTICO

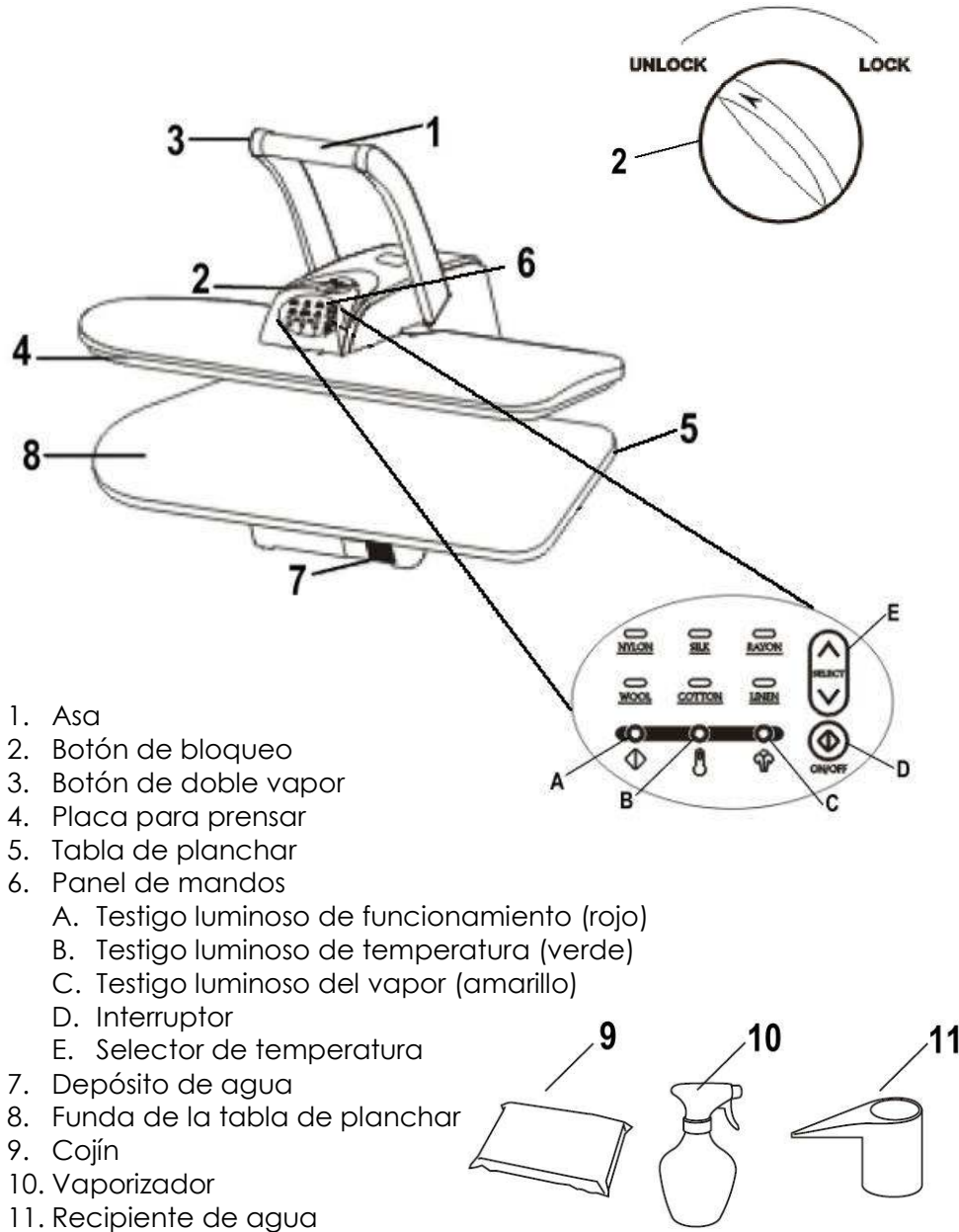
INSTRUCCIONES PARA LA TOMA DE TIERRA

Este aparato debe estar enchufado en una conexión con toma de tierra. Ya que en caso de cortocircuito, la toma de tierra reduce el riesgo de choque eléctrico, proporcionando una vía de escape para el corriente eléctrico. Este aparato está equipado con un cable que tiene un enchufe con toma de tierra. El enchufe debe insertarse en una toma de corriente correctamente instalada.

No intente, de ninguna manera, modificar el enchufe.



PARTES



1. Asa
2. Botón de bloqueo
3. Botón de doble vapor
4. Placa para prensar
5. Tabla de planchar
6. Panel de mandos
 - A. Testigo luminoso de funcionamiento (rojo)
 - B. Testigo luminoso de temperatura (verde)
 - C. Testigo luminoso del vapor (amarillo)
 - D. Interruptor
 - E. Selector de temperatura
7. Depósito de agua
8. Funda de la tabla de planchar
9. Cojín
10. Vaporizador
11. Recipiente de agua



Fax +32 2 359 95 50

Copies of the I/B. Please reproduce them without any changes except under special instruction from Team International BELGIUM. The pages must be reproduced and folded in order to obtain a booklet A5 (+/- 148.5 mm width x 210 mm height). When folding, make sure you keep the good numbering when you turn the pages of the I/B. Don't change the page numbering. Keep the language integrity. **Print only what is inside the frame.**



ANTES DEL USO

Coloque el aparato sobre un soporte lo suficiente estable y sólido. Ponga el botón de bloqueo en la posición UNLOCK.

PARA LLENAR EL DEPÓSITO



Utilice preferentemente agua desmineralizada. Si desea utilizar la función vapor, rellene el depósito siguiendo estas instrucciones:

- 1) Desenchufe el aparato de la toma de corriente y déjelo enfriar.
- 2) Coloque la placa superior en la posición levantada (hacia arriba).
- 3) Deslice el depósito de agua hacia la parte delantera del aparato. No se puede sacar del todo, entonces no fuerza. Llene despacio el depósito con agua destilada utilizando el recipiente fornecido. No llene demasiado el depósito de agua. Se puede ver el nivel de agua en la parte delantera del depósito.
- 4) Tenga cuidado de no derramar agua en el aparato durante el llenado.
- 5) Vuelva a colocar el depósito dentro del aparato.
- 6) Durante el planchado, desenchufe el aparato antes de rellenar el depósito.

USO

- Asegúrese de que el botón de bloqueo está en la posición abierta (UNLOCK) para poder mover fácilmente la placa superior. Enchufe el aparato.
- Levante la placa superior en la posición abierta (hacia arriba).
- Conecte la clavija a la red eléctrica.
- Pulse el botón *POWER*. El testigo rojo de funcionamiento se encenderá.

AJUSTAR LA TEMPERATURA

- Elija la temperatura en función del tipo de tejido a planchar (véase cuadro más abajo).
- Pulse las flechas del botón *SELECT* para seleccionar el tipo de tejido que quiere planchar. Pulse  para seleccionar temperaturas altas y  para temperaturas bajas. En caso de duda, refiérase a la etiqueta del tejido.



Fax +32 2 359 95 50

Copies of the I/B. Please reproduce them without any changes except under special instruction from Team International BELGIUM. The pages must be reproduced and folded in order to obtain a booklet A5 (+/- 148.5 mm width x 210 mm height). When folding, make sure you keep the good numbering when you turn the pages of the I/B. Don't change the page numbering. Keep the language integrity. **Print only what is inside the frame.**



- Cuando el testigo verde de temperatura se apaga significa que la placa superior alcanzó la temperatura deseada.
- Cuando pase de una temperatura alta a una temperatura baja, espere unos minutos para que la placa superior enfríe antes de empezar a planchar.

Tipo de tejido	Temperatura	Vapor
Nylon	100°C / 212°F	NO
Seda	130°C / 266°F	NO
Rayón	140°C / 284°F	NO
Lana	160°C / 320°F	SÍ
Algodón	200°C / 392°F	SÍ
Lino	210°C / 410°F	SÍ

NOTA: Puede ser conveniente separar los tejidos por tipo y empezar por los que necesitan la temperatura más alta y así sucesivamente. Así evitará perder tiempo esperando a que la placa superior se enfríe.

UTILIZAR EL VAPOR

- El aparato produce vapor sólo cuando el testigo amarillo del vapor está encendido.
- El testigo verde de temperatura se apaga cuando el aparato haya alcanzado la temperatura deseada. El testigo amarillo del vapor se encenderá cuando el aparato esté listo para producir vapor.
- Si utilice el aparato por primera vez o si no utilizó el aparato durante mucho tiempo, levante la placa superior y pulse el botón de doble vapor varias veces hasta que el vapor salga.
- La función de doble vapor se puede utilizar sólo cuando el testigo luminoso de vapor esté encendido Y el aparato entreabierto. No utilice la función de doble vapor con el aparato cerrado. Ello podría dañarlo.
- No pulse el botón de doble vapor durante más de 5 segundos para que no gotee agua en la ropa.



Fax +32 2 359 95 50

Copies of the I/B. Please reproduce them without any changes except under special instruction from Team International BELGIUM. The pages must be reproduced and folded in order to obtain a booklet A5 (+/- 148.5 mm width x 210 mm height). When folding, make sure you keep the good numbering when you turn the pages of the I/B. Don't change the page numbering. Keep the language integrity. **Print only what is inside the frame.**



PLANCHAR

- Compruebe que el botón de bloqueo (2) está en la posición abierta (UNLOCK).
- Levante el asa (1). La placa superior (4) se levanta automáticamente hasta la posición abierta.
- Disponga con cuidado la prenda que quiera planchar en la tabla de planchar (5).
- Agarre el asa de la placa superior (4) y bájela hacia la tabla de planchar (5) para prender la prenda entre las dos placas del aparato.
- Para la ropa poco arrugada, simplemente bajar el asa y dejar la placa superior en la tabla de planchar unos segundos será suficiente. Vuelva a la posición abierta. Para la ropa muy arrugada, siga agarrando el asa y presione hacia abajo hasta que la placa superior se encuentre en la posición más baja, luego abra el aparato.
- Si la temperatura está bastante elevada, puede utilizar la función de doble vapor pulsando el botón de doble vapor (3) para eliminar las arrugas. Baje la placa superior hasta que quede a cerca de 2 pulgadas de la prenda. Pulse el botón de doble vapor durante unos 3-5 segundos. Cuando deje de pulsar el botón de doble vapor, puede bajar del todo la placa superior.
NOTA: No pulse el botón de doble vapor cuando la placa superior esté en la posición más baja (cerrada).
- Después de unos segundos, levante el asa y la placa superior hasta la posición abierta.

UTILIZAR EL VAPORIZADOR

Vaporice ligeramente la prenda antes de colocarla en la tabla de planchar. Ello permite humidificar uniformemente la prenda para preparar su planchado y quitar todas las arrugas.

UTILIZAR EL COJÍN

Algunos vestidos tienen detalles como pinzas, costuras redondeadas y hombreras. Un cojín está entregado con su aparato para planchar esas zonas.



Fax +32 2 359 95 50

Copies of the I/B. Please reproduce them without any changes except under special instruction from Team International BELGIUM. The pages must be reproduced and folded in order to obtain a booklet A5 (+/- 148.5 mm width x 210 mm height). When folding, make sure you keep the good numbering when you turn the pages of the I/B. Don't change the page numbering. Keep the language integrity. **Print only what is inside the frame.**



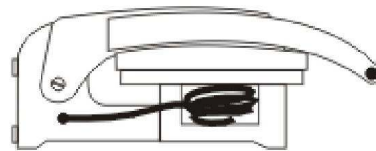
- Utilice el cojín para planchar unas partes difíciles o para dar forma a vestidos.
- Disponga la zona que quiera planchar en la tabla de planchar.
- Coloque el cojín debajo de la pinza, costura, etc.
- Asegúrese de que la zona que quiera planchar está levantada y baje la placa superior. Sólo la zona levantada entrará en contacto con la placa.

NOTA: No intente bajar la placa superior hacia la posición mínima o bloquear la placa superior y la tabla de planchar en posición cerrada cuando utilice el cojín. Ello puede **DAÑAR** el aparato.

- Levante la placa superior después de unos segundos.

GUARDAR EL APARATO

- Puede dejar el agua en el depósito ya que no goteará cuando el aparato esté guardado de forma horizontal. Pero cuando guarde el aparato por un largo periodo, se recomienda vaciar el depósito pulsando el botón de doble vapor.
- Pulse el botón *POWER*. El testigo rojo de funcionamiento se apagará. Desenchufe la clavija de la toma de corriente. Deje el aparato en posición abierta.
- Espere a que el aparato esté del todo enfriado (unos 30 minutos).
- Una vez enfriado, baje la placa superior en la tabla de plancha presionando el asa hacia la posición más baja.
- Gire el botón de bloqueo hasta la posición de bloqueo (LOCK). Ello permite que el aparato no se abra cuando lo desplace o lo guarde.
- Ponga el cable de alimentación en la abertura en la parte delantera de la base de la tabla de planchar. Ahora puede guardar el aparato.





Fax +32 2 359 95 50

Copies of the I/B. Please reproduce them without any changes except under special instruction from Team International BELGIUM. The pages must be reproduced and folded in order to obtain a booklet A5 (+/- 148.5 mm width x 210 mm height). When folding, make sure you keep the good numbering when you turn the pages of the I/B. Don't change the page numbering. Keep the language integrity. **Print only what is inside the frame.**



LIMPIEZA

- Para limpiar la placa superior, ponga el cojín en medio de la tabla de planchar. Coloque una toalla limpia encima del cojín y de la tabla de planchar. Elija la temperatura máxima. Cuando el testigo verde de temperatura y aquello amarillo de vapor se encienden, baje despacio la placa superior en el cojín. Con agua en el depósito, pulse el botón de doble vapor unas 6-7 veces. Tenga cuidado de no tocar las partes metálicas y de no quemarse con el vapor.
- Cuando la placa superior esté fría, puede limpiarla con un paño húmedo. NO UTILICE productos abrasivos para limpiar la placa superior. La placa superior tiene un revestimiento antiadherente que vuelve la limpieza más fácil.
- La funda de la tabla de planchar es amovible. Puede limpiarla con detergente suave y agua templada.

DISPOSITIVOS DE SEGURIDAD

Su aparato cuenta con varios dispositivos de seguridad. Si deja la placa superior cerrada en la tabla de planchar durante unos 10 segundos, el aparato se apagará automáticamente. Se oirá una señal acústica. Si la placa superior queda en posición abierta (levantada) sin estar utilizada durante unos 15 minutos, el aparato se apagará automáticamente. En ambos casos, para volver a encender el aparato, tendrá que pulsar el botón *POWER*.

PROBLEMAS Y SOLUCIONES

PROBLEMA	CAUSA	SOLUCIÓN
Es imposible abrir el aparato con el asa	El botón de bloqueo está en posición de bloqueo (LOCK).	Gire el botón de bloqueo hasta la posición de desbloqueo (UNLOCK).
La prensa de planchar caliente pero NO QUITA las arrugas.	La temperatura no está suficiente para la prenda que quiere planchar.	Aumente progresivamente la temperatura hasta obtener el resultado deseado.



Fax +32 2 359 95 50

Copies of the I/B. Please reproduce them without any changes except under special instruction from Team International BELGIUM. The pages must be reproduced and folded in order to obtain a booklet A5 (+/- 148.5 mm width x 210 mm height). When folding, make sure you keep the good numbering when you turn the pages of the I/B. Don't change the page numbering. Keep the language integrity. **Print only what is inside the frame.**



El aparato NO CALIENTA.	Ninguna temperatura está seleccionada	Elija una temperatura
	La clavija no está enchufada en la toma de corriente.	Enchufe el aparato.
	El aparato se paró automáticamente. La placa superior quedó en posición abierta durante 15 minutos sin estar utilizada.	Vuelva a pulsar el botón *POWER*.
Ningún vapor	No hay bastante agua.	Llene el depósito de agua.
	La temperatura elegida no es suficiente.	Si conviene para la prenda, elija una temperatura más alta. Espere a que el testigo amarillo del vapor se encienda. Puede también utilizar el vaporizador como arriba indicado.
Agua sale de la placa superior.	Pulsó el botón de doble vapor durante mucho tiempo.	No pulse el botón de doble vapor durante más de 5 segundos seguidos.
No se puede cerrar el asa hasta la posición de presión automática máxima.	La prenda en la tabla de planchar está demasiado gruesa.	Utilice una presión menor para las prendas más gruesas. Utilice el vapor para eliminar las arrugas.



Fax +32 2 359 95 50

Copies of the I/B. Please reproduce them without any changes except under special instruction from Team International BELGIUM. The pages must be reproduced and folded in order to obtain a booklet A5 (+/- 148.5 mm width x 210 mm height). When folding, make sure you keep the good numbering when you turn the pages of the I/B. Don't change the page numbering. Keep the language integrity. **Print only what is inside the frame.**



GARANTÍA

Le sugerimos rellenen y nos envíen rápidamente la Tarjeta de Registro de Producto adjunta para facilitar la verificación de la fecha de compra. Por lo tanto, la devolución de esa Tarjeta de Registro de Producto no es una condición imprescindible para la aplicación de esa garantía. Puede también rellenar dicha tarjeta de garantía en línea en la dirección siguiente: www.KALORIK.com

A partir de la fecha de compra, este producto KALORIK está garantizado un año contra los defectos materiales y de fabricación, en los Estados Unidos. Esta garantía no es transferible. Conserve la prueba de compra original. Se exige una prueba de compra para obtener la aplicación de la garantía.

Durante este período, si el producto KALORIK después de una inspección por parte de KALORIK, se manifiesta defectuoso, será reparado o reemplazado, según lo que decida KALORIK, sin gastos para el consumidor. Si se envía un producto de reemplazo, se aplicará la garantía que queda del producto original.

Esta garantía no se aplica a los defectos causados por una mala utilización por parte del comprador o del usuario, o una negligencia al no respeto del manual de instrucciones KALORIK, o una utilización en un circuito eléctrico cuyo voltaje es diferente al que figura en el producto, o un desgaste normal, o modificaciones o reparaciones no autorizadas por KALORIK, o por un uso con fines comerciales. No existe garantía por las partes de cristal, jarras de cristal, filtros, cestos, cuchillas y accesorios en general. No existe tampoco garantía por las piezas perdidas por el usuario.

Toda garantía de valor comercial o de adaptabilidad a este producto está limitada a un año también.

Algunos estados no ponen límites a la duración de la garantía tácita o no autorizan la exclusión de daños y perjuicios accesorios o indirectos, por lo que puede que las restricciones anteriormente mencionadas no le sean aplicables a Usted. Esta garantía le otorga derechos legales particulares, pero usted puede tener también otros



Fax +32 2 359 95 50

Copies of the I/B. Please reproduce them without any changes except under special instruction from Team International BELGIUM. The pages must be reproduced and folded in order to obtain a booklet A5 (+/- 148.5 mm width x 210 mm height). When folding, make sure you keep the good numbering when you turn the pages of the I/B. Don't change the page numbering. Keep the language integrity. **Print only what is inside the frame.**



derechos que varían de un estado a otro y algunos derechos pueden variar de un estado a otro.

Si el aparato tuviera un defecto durante el periodo de garantía y / o más de 30 días después de que se compró, no devuelva el aparato en la tienda donde le compró: a menudo, nuestro Servicio al Consumidor puede ayudar a resolver el problema sin que el producto tenga que ser reparado. Si hace falta una reparación, uno de nuestros representantes puede confirmar si el producto está bajo garantía y dirigirle al servicio post-venta más próximo.

Si fuera el caso, traiga el producto (o envíelo, correctamente franqueado) con la **prueba de compra** que mencione **el número de autorización de devolución** indicado por nuestro Servicio al Consumidor, al servicio post-venta KALORIK más próximo. (Visite nuestra web www.KALORIK.com o llame al Servicio al Consumidor para obtener la dirección del Servicio post-venta KALORIK exclusivo más próximo).

Si envía el producto, le rogamos añadan una carta explicando la naturaleza del defecto.

Si tiene preguntas adicionales, por favor llame al Servicio al Consumidor (véase abajo para los datos completos), de lunes a viernes, de las 9 a las 18 (EST). Note que las horas pueden ser modificadas.

Si quiere escribirnos, puede hacerlo a la dirección siguiente:

KALORIK Servicio al Consumidor

Team International Group of America Inc.
1400 N.W 159th Street, Suite 102
Miami Gardens, FL 33169 USA

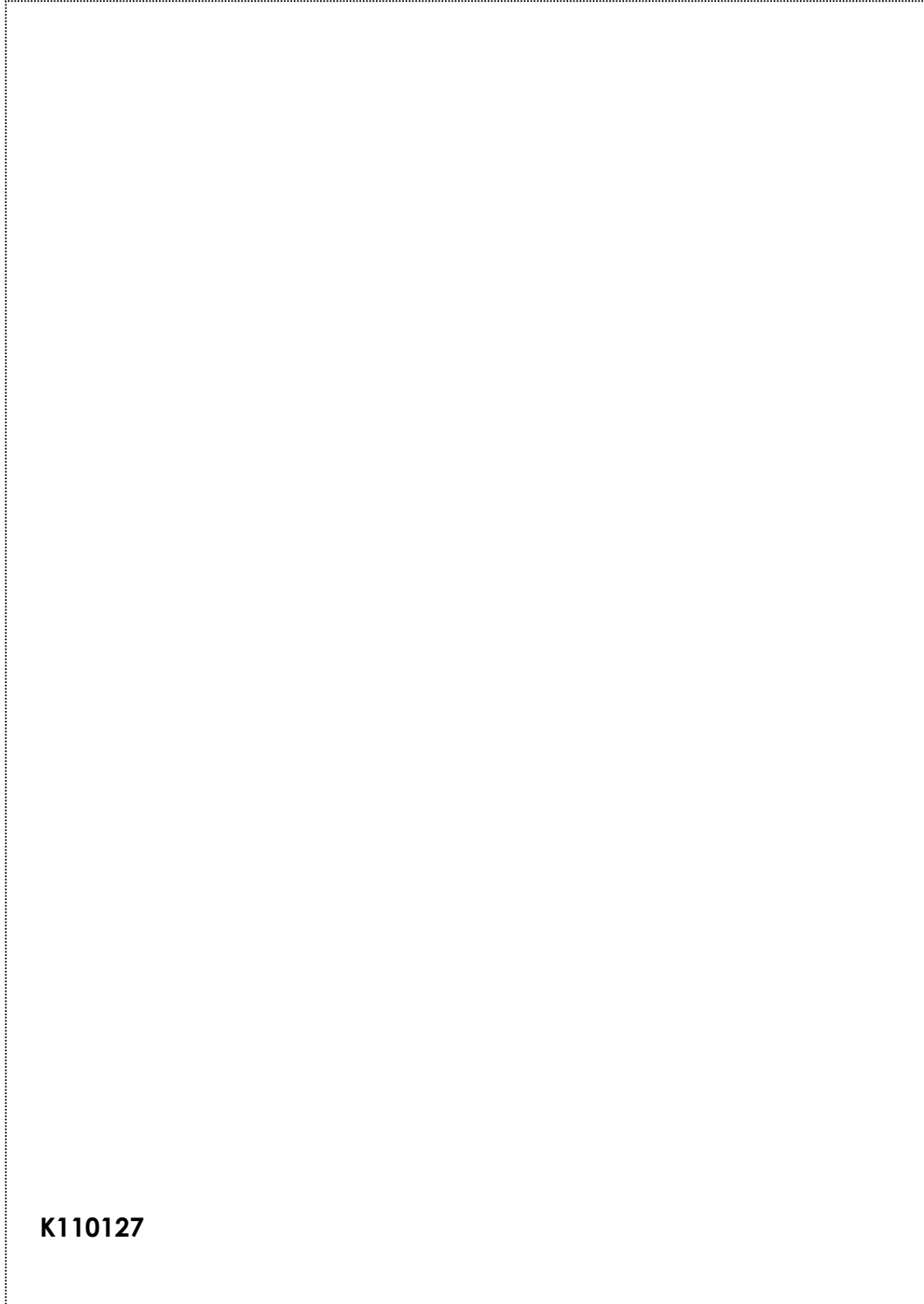
O llame gratuitamente (U.S.A.) al +1 888-521-TEAM / +1 888-KALORIK

Las cartas se aceptan solamente en la dirección anteriormente mencionada. Los envíos y paquetes que no tengan número de autorización de devolución serán rechazados.



Fax +32 2 359 95 50

Copies of the I/B. Please reproduce them without any changes except under special instruction from Team International BELGIUM. The pages must be reproduced and folded in order to obtain a booklet A5 (+/- 148.5 mm width x 210 mm height). When folding, make sure you keep the good numbering when you turn the pages of the I/B. Don't change the page numbering. Keep the language integrity. **Print only what is inside the frame.**



K110127



Back cover page (last page)

Assembly page 24/24

Free Manuals Download Website

<http://myh66.com>

<http://usermanuals.us>

<http://www.somanuals.com>

<http://www.4manuals.cc>

<http://www.manual-lib.com>

<http://www.404manual.com>

<http://www.luxmanual.com>

<http://aubethermostatmanual.com>

Golf course search by state

<http://golfingnear.com>

Email search by domain

<http://emailbydomain.com>

Auto manuals search

<http://auto.somanuals.com>

TV manuals search

<http://tv.somanuals.com>