



Fax +1 305 430 9692

Copies of the I/B. Please reproduce them without any changes except under special instruction from Team International USA. The pages must be reproduced and folded in order to obtain a booklet A5 (+/- 148.5 mm width x 210 mm height). When folding, make sure you keep the good numbering when you turn the pages of the I/B. Don't change the page numbering. Keep the language integrity. **Print only what is inside the frame.**



**KALORIK**



**S'mores Maker**

**Fabricadora de S'mores**  
(Sándwiches de Galletitas Graham)

**Appareil à S'mores**



[www.KALORIK.com](http://www.KALORIK.com)

**CYM 38524**

**120V~60 Hz - 270W (2.25A)**



Front cover page (first page)

Assembly page 1/24



Fax +1 305 430 9692

Copies of the I/B. Please reproduce them without any changes except under special instruction from Team International USA. The pages must be reproduced and folded in order to obtain a booklet A5 (+/- 148.5 mm width x 210 mm height). When folding, make sure you keep the good numbering when you turn the pages of the I/B. Don't change the page numbering. Keep the language integrity. **Print only what is inside the frame.**



## **(EN) OPERATING INSTRUCTIONS**

### **IMPORTANT SAFEGUARDS**

**When using electrical appliances, basic safety precautions should always be followed, including the following:**

- 1. READ ALL INSTRUCTIONS BEFORE USE**
2. Check that your mains voltage corresponds to that stated on the appliance.
3. Do not touch the hot surfaces. Use handles or knobs. Use oven mitts.
4. To protect against electrical shock, do not immerse cord, plugs, or the housing of the appliance in water or any other liquid.
5. In case this appliance falls into water or liquids, DO NOT try to reach the unit. Make sure the main power is switched off and plug is disconnected first.
6. Close supervision is necessary when the appliance is used by or near children.
7. Please keep out of reach of children and pets. This product is not intended for use by children, by persons with reduced physical, sensory or mental capabilities, or lacking experience or knowledge, unless they have been given supervision or instruction concerning the use of the product, by a person responsible for their safety. Extra caution is always necessary when using this product.
8. Do not operate any appliance with a damaged cord or plug, or after the appliance malfunctions or has been damaged in any manner. Return appliance to the nearest authorized service facility for examination, repair, or adjustment.
9. The use of accessories or attachments not recommended by the appliance's manufacturer may cause injuries, fire or electric shock.
10. Do not move the appliance while it is still hot.
11. Do not use outdoors.
12. Do not use appliance for other than intended use.
13. Do not let cord hang over edge of table or counter, or touch hot surfaces.
14. Do not place on or near a hot gas or electric burner, or in a heated oven.



Fax +1 305 430 9692

Copies of the I/B. Please reproduce them without any changes except under special instruction from Team International USA. The pages must be reproduced and folded in order to obtain a booklet A5 (+/- 148.5 mm width x 210 mm height). When folding, make sure you keep the good numbering when you turn the pages of the I/B. Don't change the page numbering. Keep the language integrity. **Print only what is inside the frame.**



15. To disconnect, turn any control to off, then remove plug from wall outlet. Do not unplug by pulling on the cord. To unplug, grasp the plug, not the cord.
16. Never place anything else than the intended ingredients in the base bowl.
17. Do not leave unit unattended while in use or when plugged into an outlet.
18. Unplug from the outlet when not in use, before removing or fixing parts and before cleaning. Allow to cool before putting on or taking off parts and before cleaning the appliance.
19. Never melt chocolate or any other items directly on the S'mores maker base. Always use the forks.
20. This appliance is not intended to be operated by means of an external timer or separate remote-control system.

## SAVE THESE INSTRUCTIONS HOUSEHOLD USE ONLY

### POLARIZED PLUG INSTRUCTIONS

This appliance is equipped with a polarized plug (one blade is wider than the other). To reduce the risk of electric shock, this plug will fit into the polarized outlet only one way. If the plug does not properly fit into the outlet at first, reverse it. If it still does not fit, contact a competent qualified electrician. **Do not attempt to modify the plug in any way.**

### SHORT CORD INSTRUCTIONS

A short power supply cord is provided to reduce the hazards resulting from becoming entangled in, or tripping over a longer cord.

Extension cords may be used if care is exercised in their use.

- The electrical rating of the extension cord should be at least that of the appliance. If the electrical rating of the extension cord is too low, it could overheat and burn.
- The resulting extended cord should be arranged so that it will not drape over the counter top or tabletop where it can be pulled on by children or tripped over.



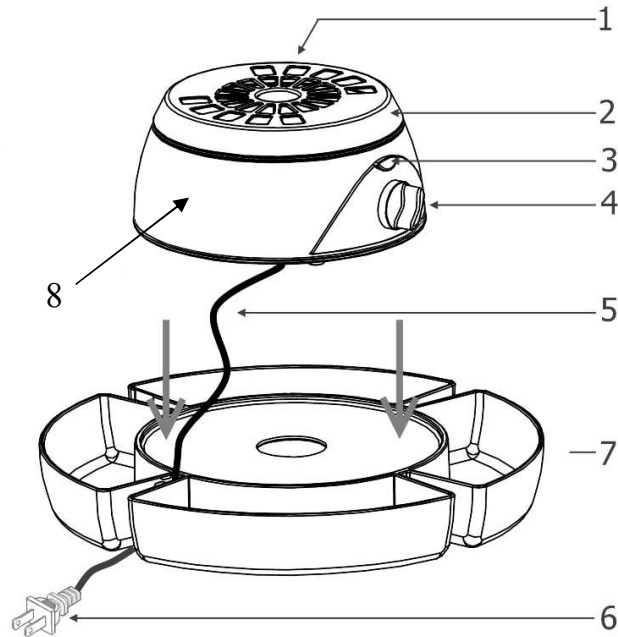
Fax +1 305 430 9692

Copies of the I/B. Please reproduce them without any changes except under special instruction from Team International USA. The pages must be reproduced and folded in order to obtain a booklet A5 (+/- 148.5 mm width x 210 mm height). When folding, make sure you keep the good numbering when you turn the pages of the I/B. Don't change the page numbering. Keep the language integrity. **Print only what is inside the frame.**



## PARTS

1. Heating element (Under cover)
2. Stainless steel cover
3. Power indicator
4. Switch
5. Power cord
6. Power plug
7. Food tray
8. Main unit base



## ASSEMBLY

1. The power cord (5) should be placed in one of the gaps between 2 compartments.
2. Place the unit centered on the food tray (7).

## S'MORES MAKING

1. Fill the compartments of the food tray with crackers, biscuits, marshmallows, chocolate or other food.
2. Turn the switch on the front of the S'mores maker to the "ON" setting. The power indicator (3) should light up.
3. Let the appliance preheat a few minutes.

**Note:** After a while, the heating element and the cover might glow red hot.

4. Prepare cracker sandwiches with a chocolate bar between 2 crackers / biscuits.



Fax +1 305 430 9692

Copies of the I/B. Please reproduce them without any changes except under special instruction from Team International USA. The pages must be reproduced and folded in order to obtain a booklet A5 (+/- 148.5 mm width x 210 mm height). When folding, make sure you keep the good numbering when you turn the pages of the I/B. Don't change the page numbering. Keep the language integrity. **Print only what is inside the frame.**



5. Pick a marshmallow using one of the 4 forks provided, a fondue fork, or a long wooden stick for example.
6. Holding the fork by the handle, place the marshmallow above the heater, taking care to not touch the stainless steel cover.
7. Rotate frequently until the marshmallow gets brown and starts to melt.
8. When the marshmallow gets golden brown and starts to swell, place it on the chocolate bar and place a cracker on top. The "sandwich" created is a perfect s'more. Enjoy!
9. Once you are finished using the s'mores maker, turn the control dial to "OFF" and unplug the appliance from the wall outlet.

#### **WARNINGS!**

1. Do not overcook the marshmallow, as it may melt completely and fall on the stainless steel cover, causing smoke or fire, and stain marks.
2. In case food or an object falls on the cover, always switch off and unplug the unit. Then wait until it cools (at least 20 minutes) before cleaning it.
3. Never touch the stainless steel cover with your hands after switching on the unit. It gets very hot! Always use oven mitts or gloves.
4. Do not touch the stainless steel cover after switching off the unit. Wait at least 20 minutes until it cools down before touching the unit, the cover, or attempting to move or clean the appliance.

#### **TIPS AND RECIPES FOR S'MORES MAKING**

1. For the original s'more taste, use original "Graham crackers", which are more like cookies than crackers.
2. Get the crackers and chocolate ready before you toast the marshmallows.
3. Marshmallows are ready when slightly brown outside and runny inside.
4. Sandwich chocolate with a toasted marshmallow between a halved cracker and squeeze together gently.
5. You can also use variations on the traditional s'more:



Fax +1 305 430 9692

Copies of the I/B. Please reproduce them without any changes except under special instruction from Team International USA. The pages must be reproduced and folded in order to obtain a booklet A5 (+/- 148.5 mm width x 210 mm height). When folding, make sure you keep the good numbering when you turn the pages of the I/B. Don't change the page numbering. Keep the language integrity. **Print only what is inside the frame.**



- *The Mexican s'more:* cut a flour tortilla, spread with crunchy peanut butter in 1 ½ inch wide stripes, add chocolate chips and marshmallow, and roll.
- *The Banana s'more:* spread peanut butter on the Graham cracker, add the chocolate, and a slice of banana with the toasted marshmallow.
- *The cookie s'more:* replace the cracker with chocolate chip cookies, and use large marshmallows.

## CLEANING THE S'MORES MAKER

**Note:** Make sure the appliance is unplugged before cleaning.

1. Turn control dial to "0" (OFF). Unplug the s'mores maker from the outlet. Allow to cool for 20 minutes at least before cleaning. DO NOT touch until cool.

**Caution:** The stainless steel cover will be hot to the touch.

2. Remove the stainless steel cover from the base unit.
3. The base of the s'mores maker should only be cleaned by wiping with a damp, non-abrasive cloth.

**Caution:** Do not submerge the base (8) in water or any other liquid!

4. Dry the base thoroughly before storage.
5. The forks and stainless steel cover shall be hand-washed in warm, soapy water. Do not put in the dishwasher.
6. Rinse well and dry after cleaning.

**Note:**

- Never use abrasive cleaners on the base or cover
- Do not place any part in the dishwasher.
- Any other servicing shall be performed by an authorized service representative.



Fax +1 305 430 9692

Copies of the I/B. Please reproduce them without any changes except under special instruction from Team International USA. The pages must be reproduced and folded in order to obtain a booklet A5 (+/- 148.5 mm width x 210 mm height). When folding, make sure you keep the good numbering when you turn the pages of the I/B. Don't change the page numbering. Keep the language integrity. **Print only what is inside the frame.**



## WARRANTY

We suggest that you complete and return the enclosed Product Registration Card promptly to facilitate verification of the date of original purchase. However, return of the Product Registration Card is not a condition of these warranties. You can also fill out this warranty card online, at the following address: [www.KALORIK.com](http://www.KALORIK.com)

This KALORIK product is warranted in the U.S.A. for 1 year from the date of purchase against defects in material and workmanship. This warranty is not transferable. Keep the original sales receipt. Proof of purchase is required to obtain warranty performance.

During this period, if the KALORIK product, upon inspection by KALORIK, is proven defective, it will be repaired or replaced, at Kalorik's option, without charge to the customer. If a replacement product is sent, it will carry the remaining warranty of the original product.

This warranty does not apply to any defect arising from a buyer's or user's misuse of the product, negligence, failure to follow KALORIK instructions noted in the user's manual, use on current or voltage other than that stamped on the product, wear and tear, alteration or repair not authorized by KALORIK, or use for commercial purposes. There is no warranty for glass parts, glass containers, filter basket, blades and agitators, and accessories in general. There is also no warranty for parts lost by the user.

ANY WARRANTY OF MERCHANTABILITY OR FITNESS WITH RESPECT TO THIS PRODUCT IS ALSO LIMITED TO THE ONE YEAR LIMITED WARRANTY PERIOD.

Some states do not allow limitation on how long an implied warranty lasts or do not allow the exclusion of incidental or consequential damages, so the above limitations may not apply to you. This warranty gives you specific legal rights, and you may also have other rights which vary from state to state.

If the appliance should become defective within the warranty period and more than 30 days after date of purchase, do not return



Fax +1 305 430 9692

Copies of the I/B. Please reproduce them without any changes except under special instruction from Team International USA. The pages must be reproduced and folded in order to obtain a booklet A5 (+/- 148.5 mm width x 210 mm height). When folding, make sure you keep the good numbering when you turn the pages of the I/B. Don't change the page numbering. Keep the language integrity. **Print only what is inside the frame.**



the appliance to the store: often, our Customer Service Representatives can help solve the problem without having the product serviced. If servicing is needed, a Representative can confirm whether the product is under warranty and direct you to the nearest service location.

If this is the case, bring the product, or send it, postage prepaid by the user (all Kalarik customers are responsible for the initial shipment back to the warranty center), along **with proof of purchase** and indicating a **return authorization number** given by our Customer Service Representatives, to the authorized KALORIK Service Center (please visit our website at [www.KALORIK.com](http://www.KALORIK.com) or call our Customer Service Department for the address of our authorized KALORIK Service Center).

If you send the product, please include a letter explaining the nature of the claimed defect.

If you have additional questions, please call our Customer Service Department (please see below for complete contact information), Monday through Thursday from 9:00am - 5:00pm (EST) and Friday from 9:00am - 4:00pm (EST). Please note hours are subject to change.

If you would like to write, please send your letter to:

**KALORIK Customer Service Department**

Team International Group of America Inc.  
1400 N.W 159th Street, Suite 102  
Miami Gardens, FL 33169 USA

Or call:

Toll Free: +1 888-521-TEAM / +1 888-KALORIK

**Only letters can be accepted at this address above. Shipments and packages that do not have a return authorization number will be refused.**





Fax +1 305 430 9692

Copies of the I/B. Please reproduce them without any changes except under special instruction from Team International USA. The pages must be reproduced and folded in order to obtain a booklet A5 (+/- 148.5 mm width x 210 mm height). When folding, make sure you keep the good numbering when you turn the pages of the I/B. Don't change the page numbering. Keep the language integrity. **Print only what is inside the frame.**



## **(SP) MANUAL DE INSTRUCCIONES CONSEJOS DE SEGURIDAD**

**Cuando se utilizan aparatos eléctricos, hay unas precauciones básicas de seguridad que siempre se deben seguir, tales como:**

- 1. LEA TODAS LAS INSTRUCCIONES.**
2. Antes de utilizar el aparato, compruebe que el voltaje de la red eléctrica coincide con el del aparato.
3. No toque las superficies calientes. Siempre utilice las asas o los botones. Use guantes para horno.
4. Para protegerse contra una descarga eléctrica, no sumerja el carcasa del aparato o el enchufe en agua o en otros líquidos.
5. En el caso de que el aparato se caiga dentro del agua en cualquier otro líquido, NO trate de sacar el aparato del agua u otro líquido. Asegúrese de que el aparato esté en posición *off* y que esté desconectado del toma corriente.
6. Es siempre necesaria la supervisión cercana cuando este aparato sea utilizado cerca de niños. Este aparato no debe ser usado por niños.
7. Manténgalo fuera del alcance de los niños y mascotas. Este producto no está destinado a ser utilizado por niños, personas con discapacidades físicas, sensoriales o mentales, o que carecen de experiencia o conocimiento, a menos que no sean supervisados o instruidos acerca del uso del producto, por una persona responsable de su seguridad. Cuando se utiliza este producto siempre es necesaria una precaución extrema.
8. No opere este y ningún aparato si el cable o el enchufe están quemados o dañados, o después de que el aparato ha funcionado inadecuadamente, se ha caído o ha sido dañado en cualquier manera. El aparato debe ser remplazado por el fabricante o por un centro de servicio autorizado o por una persona similar calificada.
9. El uso de accesorios o aditamentos que no sean los recomendados por el fabricante pueden causar incendios, descargas eléctricas o lesiones.
10. No mueva el aparato mientras está aún caliente.
11. No use en exteriores.
12. No use este aparato más que para lo que ha sido diseñado.



Fax +1 305 430 9692

Copies of the I/B. Please reproduce them without any changes except under special instruction from Team International USA. The pages must be reproduced and folded in order to obtain a booklet A5 (+/- 148.5 mm width x 210 mm height). When folding, make sure you keep the good numbering when you turn the pages of the I/B. Don't change the page numbering. Keep the language integrity. **Print only what is inside the frame.**



13. No permita que el cable cuelgue de la orilla de la mesa o del mostrador o toque las partes calientes.
14. No coloque este aparato cerca de quemadores de estufas de gas o eléctricas, o dentro de un horno caliente.
15. Para desconectar el aparato, gire los botones hacia la posición apagada y desenchufe el aparato. No lo desconecte tirando del cordón eléctrico. Para desconectarlo, tome la clavija, no el cordón eléctrico.
16. . Nunca coloque en el bol de base ingredientes que no sean los apropiados.
17. No deje nunca su aparato sin vigilancia cuando esté en marcha.
18. Desconecte el aparato de la toma de corriente cuando la unidad no se encuentre en uso y antes de limpiarla. Deje que se enfríe antes de poner o sacar partes, y antes de limpiar el aparato.
19. Nunca derrita chocolate ni ningún otro artículo directamente en la base de la fabricadora de S'mores. Use siempre los tenedores.
20. El aparato no es compatible para el uso de minutaría o dispositivo de control remoto.

## **GUARDE ESTAS INSTRUCCIONES SOLAMENTE PARA USO DOMESTICO**

### **INFORMACIÓN SOBRE EL ENCHUFE POLARIZADO**

Para reducir el riesgo de choque eléctrico, este aparato tiene un enchufe polarizado (una pata es más ancha que la otra). Como medida de seguridad, este enchufe calza en el tomacorriente polarizado de una sola manera. Si el enchufe no cabe totalmente en el tomacorriente, gire el enchufe. Si aun así no calza, consulte a un servicio técnico cualificado. **No intente anular esta característica de seguridad.**



Fax +1 305 430 9692

Copies of the I/B. Please reproduce them without any changes except under special instruction from Team International USA. The pages must be reproduced and folded in order to obtain a booklet A5 (+/- 148.5 mm width x 210 mm height). When folding, make sure you keep the good numbering when you turn the pages of the I/B. Don't change the page numbering. Keep the language integrity. **Print only what is inside the frame.**



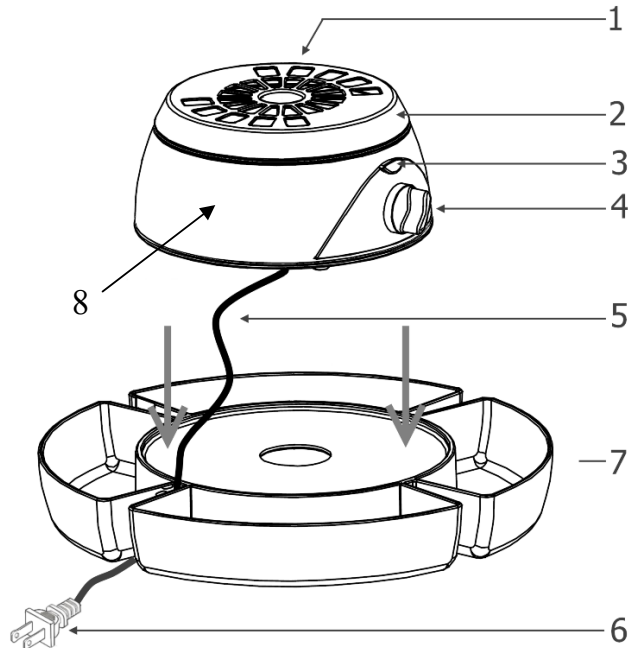
## INSTRUCCIONES DEL CABLE

El cable de alimentación del aparato es un cable corto a fin de disminuir el riesgo de accidentes (caídas al tropezar con él, etc.) Puede utilizar un alargador si es necesario.

- Asegúrese de que el nivel eléctrico del cable es igual o mayor que el indicado. Una extensión con un bajo nivel eléctrico correría el riesgo de sobrecalentarse y de estropearse.
- Para evitar riesgos colocar de forma tal que los niños no puedan jalarlo o tropezar con él. Que no arrastre nunca por el suelo.

## PARTES

1. Elemento de calentamiento (Bajo la cobertura)
2. Cobertura de acero inoxidable
3. Indicador de encendido
4. Interruptor
5. Cable
6. Enchufe
7. Bandeja de comida
8. Unidad principal



## ENSAMBLAJE

1. El cable (5) deberá insertarse en una de las ranuras, entre los 2 compartimientos
2. Coloque el aparato en el centro de la bandeja de comida (7).



Fax +1 305 430 9692

Copies of the I/B. Please reproduce them without any changes except under special instruction from Team International USA. The pages must be reproduced and folded in order to obtain a booklet A5 (+/- 148.5 mm width x 210 mm height). When folding, make sure you keep the good numbering when you turn the pages of the I/B. Don't change the page numbering. Keep the language integrity. **Print only what is inside the frame.**



## CÓMO FABRICAR S'MORES

1. Llene los compartimientos de la bandeja de comida con galletas, bizcochos, malvaviscos, chocolate u otra comida.
2. Gire el interruptor que se encuentra en el frente de la fabricadora de S'mores hasta la posición "ON"
3. Espere a que el aparato se pre-caliente durante algunos minutos.

**Nota:** luego de un rato, el elemento de calentamiento y la cobertura podrían llegar a estar al rojo vivo.

4. Prepare sándwiches de galletas con una barra de chocolate entre dos galletas /bizcochos.
5. Tome un malvavisco con la ayuda de uno de los tenedores provistos, o con un tenedor para *fondue*, o con un palillo largo de madera, por ejemplo.
6. Tomando el tenedor por su mango, coloque los malvaviscos por encima del calentador, cuidando de no tocar la cobertura de acero inoxidable.
7. Vaya rotando frecuentemente hasta que los malvaviscos se vuelvan marrones y se derritan.
8. En cuanto los malvaviscos tomen un color marrón dorado y comiencen a hincharse, colóquelos en la barra de chocolate, y coloque la galletita de agua encima. El "sándwich" creado es un perfecto S'more.
9. Una vez que usted haya terminado de usar la fabricadora de S'mores, gire el botón de control hasta el "0" (OFF) y desenchufe el aparato del toma-corriente.

### ¡ADVERTENCIAS!

1. No cocinar en exceso los malvaviscos, dado que éstos podrían derretirse completamente y derramarse en la cobertura de acero inoxidable, causando así humo o fuego, y manchas.
2. En el caso de que se derramara comida o cayera cualquier otro objeto sobre la cobertura, recuerde siempre poner el interruptor en "OFF" y desenchufe el aparato. Luego espere a que el aparato se enfríe (por lo menos durante 20 minutos) antes de limpiarlo.
3. Nunca toque la cobertura de acero inoxidable con las manos después de encender el aparato. Siempre utilice guantes especiales para horno.



Fax +1 305 430 9692

Copies of the I/B. Please reproduce them without any changes except under special instruction from Team International USA. The pages must be reproduced and folded in order to obtain a booklet A5 (+/- 148.5 mm width x 210 mm height). When folding, make sure you keep the good numbering when you turn the pages of the I/B. Don't change the page numbering. Keep the language integrity. **Print only what is inside the frame.**



4. Nunca toque la cobertura de acero inoxidable inmediatamente después de apagar el aparato. Espere por lo menos 20 minutos hasta que el aparato se enfríe antes de tocar el mismo, o la cobertura, o antes de tratar de moverlo o limpiar el aparato.

## CONSEJOS Y RECETAS PARA FABRICAR S'MORES

1. Para obtener el sabor original de los S'mores, utilice "las galletas Graham" que son más bien bizcochos y no galletas.
2. Tenga las galletas y el chocolate listos antes de tostar los malvaviscos.
3. Los malvaviscos están listos cuando están dorados/marrones por afuera y chirlos por dentro.
4. Forme el sándwich con chocolate y un malvavisco tostado en medio de una galletita cortada por la mitad, y presione todo junto suavemente.
5. Usted mismo puede crear variaciones de los S'mores tradicionales:
  - *El S'more mejicano:* corte una masa de tortilla, previamente untada con manteca de maní crocante, en tiras de 1 ½ pulgadas de ancho. Agréguele copitos de chocolate y malvaviscos, y arrolle.
  - *El S'more de banana:* unte la galletita Graham con manteca de maní, agregue el chocolate, una rodaja de banana con el malvavisco tostado.
  - *El S'more de bizcochos:* remplace la galleta por unos bizcochos de copitos de chocolate, y utilice malvaviscos grandes.



Fax +1 305 430 9692

Copies of the I/B. Please reproduce them without any changes except under special instruction from Team International USA. The pages must be reproduced and folded in order to obtain a booklet A5 (+/- 148.5 mm width x 210 mm height). When folding, make sure you keep the good numbering when you turn the pages of the I/B. Don't change the page numbering. Keep the language integrity. **Print only what is inside the frame.**



## LIMPIEZA DE LA FABRICADORA DE S'MORES

**Nota:** Asegúrese de que el aparato esté desconectado antes de proceder a limpiarlo.

1. Gire el botón de control hasta el "0" (OFF). Desconecte la fabricadora de S'mores del toma-corriente. Espere a que se enfríe por lo menos durante 20 minutos antes de limpiarla. NO toque el aparato hasta que se haya enfriado.

**Cuidado:** la cobertura de acero inoxidable estará caliente al contacto con los mismos.

2. Retire la cobertura de acero inoxidable de la base.
3. La base deberá limpiarse solamente utilizando un trapo húmedo, no abrasivo.

**Cuidado:** No sumerja la base (9) en agua ni en ningún otro líquido!

4. Seque muy bien la base antes de guardar el aparato.
5. Los tenedores en la cobertura de acero deberán ser lavados a mano con agua tibia y jabón.
6. Enjuáguelos bien y séquelos después de lavarlos.

**Nota:**

- Nunca utilice limpiadores abrasivos para la base o para la cobertura.
- No coloque ninguna de las partes en el lavaplatos.
- Cualquier otro servicio deberá ser efectuado por un representante de agencia de servicio autorizada.



Fax +1 305 430 9692

Copies of the I/B. Please reproduce them without any changes except under special instruction from Team International USA. The pages must be reproduced and folded in order to obtain a booklet A5 (+/- 148.5 mm width x 210 mm height). When folding, make sure you keep the good numbering when you turn the pages of the I/B. Don't change the page numbering. Keep the language integrity. **Print only what is inside the frame.**



## GARANTÍA

Le sugerimos rellenen y nos envíen rápidamente la Tarjeta de Registro de Producto adjunta para facilitar la verificación de la fecha de compra. Por lo tanto, la devolución de esa Tarjeta de Registro de Producto no es una condición imprescindible para la aplicación de esa garantía. Puede también rellenar dicha tarjeta de garantía en línea en la dirección siguiente: [www.KALORIK.com](http://www.KALORIK.com)

A partir de la fecha de compra, este producto KALORIK está garantizado un año contra los defectos materiales y de fabricación, en los Estados Unidos. Esta garantía no es transferible. Conserve la prueba de compra original. Se exige una prueba de compra para obtener la aplicación de la garantía.

Durante este período, si el producto KALORIK después de una inspección por parte de KALORIK, se manifiesta defectuoso, será reparado o reemplazado, según lo que decida KALORIK, sin gastos para el consumidor. Si se envía un producto de reemplazo, se aplicará la garantía que queda del producto original.

Esta garantía no se aplica a los defectos causados por una mala utilización por parte del comprador o del usuario, o una negligencia al no respeto del manual de instrucciones KALORIK, o una utilización en un circuito eléctrico cuyo voltaje es diferente al que figura en el producto, o un desgaste normal, o modificaciones o reparaciones no autorizadas por KALORIK, o por un uso con fines comerciales. No existe garantía por las partes de cristal, jarras de cristal, filtros, cestos, cuchillas y accesorios en general. No existe tampoco garantía por las piezas perdidas por el usuario.

Toda garantía de valor comercial o de adaptabilidad a este producto está limitada a un año también.

Algunos estados no ponen límites a la duración de la garantía tácita o no autorizan la exclusión de daños y perjuicios accesorios o indirectos, por lo que puede que las restricciones anteriormente mencionadas no le sean aplicables a Usted. Esta garantía le otorga derechos legales particulares, pero usted puede tener también otros



Fax +1 305 430 9692

Copies of the I/B. Please reproduce them without any changes except under special instruction from Team International USA. The pages must be reproduced and folded in order to obtain a booklet A5 (+/- 148.5 mm width x 210 mm height). When folding, make sure you keep the good numbering when you turn the pages of the I/B. Don't change the page numbering. Keep the language integrity. **Print only what is inside the frame.**



derechos que varían de un estado a otro y algunos derechos pueden variar de un estado a otro.

Si el aparato tuviera un defecto durante el periodo de garantía y / o más de 30 días después de que se compró, no devuelva el aparato en la tienda donde le compró: a menudo, nuestro Servicio al Consumidor puede ayudar a resolver el problema sin que el producto tenga que ser reparado. Si hace falta una reparación, uno de nuestros representantes puede confirmar si el producto está bajo garantía y dirigirle al servicio post-venta más próximo.

Si fuera el caso, traiga el producto (o envíelo, correctamente franqueado) con la **prueba de compra** que mencione **el número de autorización de devolución** indicado por nuestro Servicio al Consumidor, al servicio post-venta KALORIK más próximo. (Visite nuestra web [www.KALORIK.com](http://www.KALORIK.com) o llame al Servicio al Consumidor para obtener la dirección del Servicio post-venta KALORIK exclusivo más próximo).

Si envía el producto, le rogamos añadan una carta explicando la naturaleza del defecto.

Si tiene preguntas adicionales, por favor llame al Servicio al Consumidor (véase abajo para los datos completos), de lunes a jueves, de las 9:00 a las 17:00 (EST), y el viernes de las 9:00 a las 16:00 (EST). Note que las horas pueden ser modificadas.

Si quiere escribirnos, puede hacerlo a la dirección siguiente:

**KALORIK Servicio al Consumidor**

Team International Group of America Inc.  
1400 N.W 159th Street, Suite 102  
Miami Gardens, FL 33169 USA

O llame gratuitamente (U.S.A.) al +1 888-521-TEAM / +1 888-KALORIK

**Las cartas se aceptan solamente en la dirección anteriormente mencionada. Los envíos y paquetes que no tengan número de autorización de devolución serán rechazados.**





Fax +1 305 430 9692

Copies of the I/B. Please reproduce them without any changes except under special instruction from Team International USA. The pages must be reproduced and folded in order to obtain a booklet A5 (+/- 148.5 mm width x 210 mm height). When folding, make sure you keep the good numbering when you turn the pages of the I/B. Don't change the page numbering. Keep the language integrity. **Print only what is inside the frame.**



## **(FR) MODE D'EMPLOI**

# **CONSIGNES DE SECURITE**

**Pour utiliser un appareil électrique, des précautions élémentaires sont à respecter, telles que celles énumérées ci-dessous :**

- 1. LISEZ L'ENSEMBLE DES INSTRUCTIONS AVANT L'UTILISATION.**
2. Avant d'utiliser l'appareil, vérifiez que la tension du réseau corresponde bien à celle de l'appareil.
3. Ne touchez pas les surfaces chaudes. Manipulez les poignées et les boutons. Utilisez des gants de cuisine ou des maniques.
4. Pour écarter les risques d'électrocution, n'immergez pas le cordon, la fiche ou le corps de l'appareil dans l'eau ou dans tout autre liquide.
5. Si l'appareil devait tomber dans l'eau ou un autre liquide, ne tentez pas d'attraper l'appareil. Coupez d'abord le courant et débranchez l'appareil avant de le sortir de l'eau.
6. Faites particulièrement attention lorsque l'appareil est utilisé par ou en présence d'enfants.
7. Gardez hors de portée des enfants et des animaux domestiques. Cet appareil n'est pas conçu pour être utilisé par des enfants, ou par des personnes ayant des capacités physiques, sensorielles ou mentales réduites, ou sans expérience ; à moins qu'une personne responsable pour leur sécurité leur donne des instructions ou les supervise pour l'utilisation de l'appareil. Faites extrêmement attention lors de l'utilisation de cet appareil.
8. Ne faites pas fonctionner l'appareil si son cordon ou sa fiche est endommagé ou si l'appareil a présenté un dysfonctionnement ou est endommagé. Retournez l'appareil au centre de service autorisé pour le faire vérifier ou réparer.
9. L'utilisation d'accessoires non recommandés par le fabricant présente des risques d'incendie, d'électrocution ou de blessure.
10. Ne déplacez pas l'appareil quand il est encore chaud.
11. N'utilisez pas l'appareil à l'extérieur.
12. N'utilisez pas cet appareil à des fins autres que celles pour lesquelles il est conçu.
13. Ne laissez pas le cordon pendre de la table ou d'un comptoir et évitez qu'il touche une surface chaude.
14. Ne placez pas l'appareil sur ou près d'un brûleur à gaz ou électrique ou dans un four chaud.



Fax +1 305 430 9692

Copies of the I/B. Please reproduce them without any changes except under special instruction from Team International USA. The pages must be reproduced and folded in order to obtain a booklet A5 (+/- 148.5 mm width x 210 mm height). When folding, make sure you keep the good numbering when you turn the pages of the I/B. Don't change the page numbering. Keep the language integrity. **Print only what is inside the frame.**



15. Pour déconnecter l'appareil, placez tous les boutons sur la position arrêt et débranchez l'appareil de la prise murale. Pour débrancher, tirez sur la fiche, pas sur le cordon.
16. Ne mettez jamais dans le bol d'autres aliments que ceux prévus et décrits dans ce manuel.
17. Ne laissez pas l'appareil sans surveillance quand il est en fonction ou reste branché.
18. Débranchez l'appareil de la prise murale lorsqu'il n'est pas utilisé ou avant de le nettoyer. Laissez l'appareil refroidir avant d'insérer ou retirer des pièces, ou de le nettoyer.
19. Ne faites jamais fondre du chocolat ou des autres aliments directement en contact avec la base elle-même, utilisez toujours les fourchettes.
20. Ne tentez pas de faire fonctionner cet appareil en utilisant un système de minuterie externe, ou de contrôle à distance.

## **CONSERVEZ CES INSTRUCTIONS USAGE DOMESTIQUE UNIQUEMENT**

### **INSTRUCTIONS POUR LES FICHES POLARISÉES**

Cet appareil a une fiche polarisée (une des deux tiges métalliques est plus longue que l'autre). Pour réduire le risque de choc électrique, cette prise ne peut être introduite que d'une seule façon dans la fiche murale. Si cette prise ne rentre pas correctement dans la fiche, retournez-la. Si elle ne rentre toujours pas, contactez un électricien qualifié et reconnu. **N'essayez jamais de modifier vous-même la prise polarisée.**



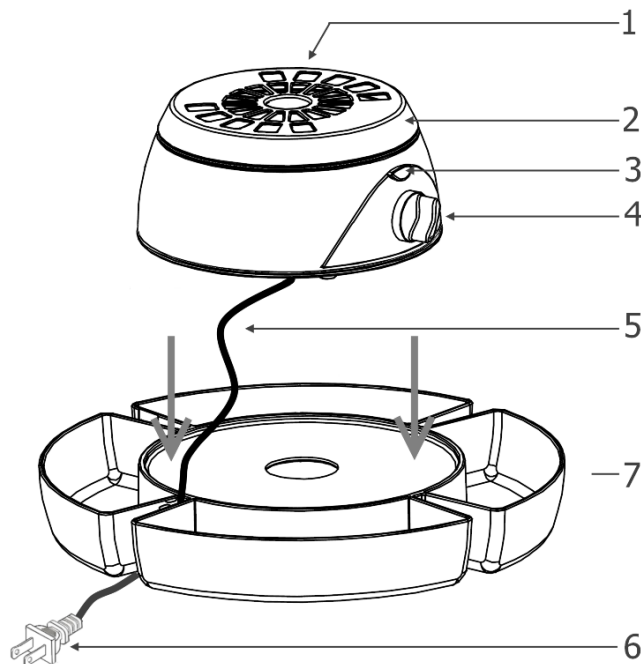
## CONSIGNES CONCERNANT LE CORDON

Le cordon d'alimentation de l'appareil est un cordon de type court, et ce afin de diminuer les risques d'accidents (chute si vous marchez sur le cordon...). Vous pouvez toutefois utiliser une rallonge si nécessaire mais:

- Assurez-vous que l'ampérage de la rallonge soit égal ou supérieur à celui de l'appareil. Une rallonge avec un ampérage inférieur à celui de l'appareil risquerait de surchauffer et de brûler.
- La rallonge ne doit pas pendre du plan de travail ou de la table afin d'éviter que les enfants ne le tirent ou trébuchent.

## DESCRIPTION

1. Élément chauffant (Sous le couvercle)
2. Couvercle en acier
3. Indicateur de mise sous tension
4. Interrupteur
5. Cordon d'alimentation
6. Fiche d'alimentation
7. Plateau
8. Base



## ASSEMBLAGE

1. Le cordon d'alimentation (5) doit être placé dans un des interstices entre deux compartiments.
2. Placez l'appareil au centre, sur le plateau (7).



Fax +1 305 430 9692

Copies of the I/B. Please reproduce them without any changes except under special instruction from Team International USA. The pages must be reproduced and folded in order to obtain a booklet A5 (+/- 148.5 mm width x 210 mm height). When folding, make sure you keep the good numbering when you turn the pages of the I/B. Don't change the page numbering. Keep the language integrity. **Print only what is inside the frame.**



## FAIRE DES S'MORES

1. Remplissez les compartiments sur le plateau avec des crackers, biscuits, des marshmallow, des barres ou carrés de chocolat et autres ingrédients.
2. Placez l'interrupteur sur le devant de l'appareil en position « ON » (« MARCHE »). Le voyant lumineux s'allume.
3. Laissez l'appareil préchauffer quelques minutes.

**Note** : après un certain temps, il est possible que l'élément chauffant ou le couvercle rougeoie.

4. Préparez des sandwichs en plaçant un carré de chocolat entre deux biscuits.
5. Avec une des fourchettes fournie (ou une fourchette à fondue, ou une pique à brochette en bois), piquez un marshmallow.
6. En tenant la fourchette par sa poignée, placez le marshmallow au-dessus de l'élément chauffant, en prenant soin de ne pas entrer en contact avec le couvercle en acier.
7. Tournez le marshmallow fréquemment pour que toutes les faces dorent et qu'il commence à chauffer.
8. Quand le marshmallow est brun-doré, et commence à fondre, placez-le sur le carré de chocolat et pressez légèrement l'autre partie de biscuit sur le marshmallow. Vous venez de réaliser un s'more ! Dégustez !
9. Quand vous avez fini d'utiliser l'appareil, placez l'interrupteur sur « OFF » (« ARRÊT ») et débranchez l'appareil de la prise murale.

### Attention !

1. Ne cuisez pas trop le marshmallow car s'il commence à fondre complètement et tombe sur le couvercle en métal, il pourrait dégager de la fumée, prendre feu et laisser des marques sur le couvercle !
2. Si quelque chose tombe sur le couvercle en acier pendant le fonctionnement, éteignez l'appareil et débranchez-le de la prise murale. Laissez-le refroidir au moins 20 minutes avant de le nettoyer.
3. Ne touchez jamais le couvercle en acier avec vos mains, une fois mis sous tension. Il devient brûlant ! Utilisez des gants de cuisine ou des maniques pour utiliser cet appareil.



Fax +1 305 430 9692

Copies of the I/B. Please reproduce them without any changes except under special instruction from Team International USA. The pages must be reproduced and folded in order to obtain a booklet A5 (+/- 148.5 mm width x 210 mm height). When folding, make sure you keep the good numbering when you turn the pages of the I/B. Don't change the page numbering. Keep the language integrity. **Print only what is inside the frame.**



4. Ne touchez pas non plus le couvercle en acier ou l'appareil après l'avoir éteint. Attendez au moins 20 minutes pour lui laisser le temps de refroidir, avant de toucher l'appareil, ou de le déplacer.

## CONSEILS ET RECETTES POUR FAIRE DES S'MORES

1. Pour la recette du s'more original, utilisez les crackers « Graham », qui sont plus des biscuits que des crackers (un équivalent pourrait être le « Petit Beurre »)
2. Préparez les biscuits et le chocolat avant de commencer à chauffer les marshmallows.
3. Un marshmallow est prêt quand il est légèrement doré et est sur le point de se liquéfier.
4. Faites un sandwich de chocolat et marshmallow entre deux biscuits, et pressez légèrement.
5. Vous pouvez créer des variations du s'more original, comme par exemple :
  - S'more Mexicain : coupez une galette de farine en lanières 4 centimètres, après l'avoir étalée avec du beurre de cacahuète, ajoutez des pépites de chocolat et le marshmallow et roulez la galette autour.
  - S'more Banane : étalez du beurre de cacahuète sur un des biscuits, ajoutez une rondelle de banane sur le chocolat avant de rajouter le marshmallow chauffé.
  - Le Cookie s'more : remplacez les biscuits par des cookies aux pépites de chocolat et utilisez des marshmallow plus gros.



Fax +1 305 430 9692

Copies of the I/B. Please reproduce them without any changes except under special instruction from Team International USA. The pages must be reproduced and folded in order to obtain a booklet A5 (+/- 148.5 mm width x 210 mm height). When folding, make sure you keep the good numbering when you turn the pages of the I/B. Don't change the page numbering. Keep the language integrity. **Print only what is inside the frame.**



## NETTOYAGE ET ENTRETIEN

Note : assurez-vous du fait que l'appareil est bien débranché et refroidi avant de le nettoyer.

1. Tournez le bouton de contrôle en position « 0 » (ETEINT).  
Débranchez l'appareil de la prise murale. Laissez refroidir pendant au moins 20 minutes avant de nettoyer. Ne touchez pas à l'appareil avant qu'il ne soit refroidi.

**Attention :** le couvercle en acier peut-être brulant au toucher !

2. Retirez le couvercle de la base.
3. La base (8) ne doit être nettoyée qu'avec un chiffon non-abrasif légèrement humide.

**Attention :** n'immergez jamais la base dans l'eau ou tout autre liquide.

4. Séchez la base soigneusement avant de la ranger.
5. Les fourchettes et le couvercle peuvent être lavés à la main dans de l'eau chaude savonneuse. Ne les mettez pas au lave-vaisselle.

### Note :

- N'utilisez pas de nettoyeurs abrasifs pour nettoyer le couvercle ou la base.
- Ne mettez aucune pièce au lave-vaisselle
- Toute autre maintenance de l'appareil doit être effectuée par un service technique qualifié.



Fax +1 305 430 9692

Copies of the I/B. Please reproduce them without any changes except under special instruction from Team International USA. The pages must be reproduced and folded in order to obtain a booklet A5 (+/- 148.5 mm width x 210 mm height). When folding, make sure you keep the good numbering when you turn the pages of the I/B. Don't change the page numbering. Keep the language integrity. **Print only what is inside the frame.**



## GARANTIE

Nous vous suggérons de remplir et de nous renvoyer rapidement la Carte d'Enregistrement Produit ci-jointe afin de faciliter la vérification de la date d'achat. Cependant, le renvoi de la Carte d'Enregistrement Produit n'est pas une condition indispensable à l'application de la présente garantie. Vous pouvez aussi remplir cette carte de garantie en ligne à l'adresse suivante : **[www.KALORIK.com](http://www.KALORIK.com)**.

A compter de la date d'achat, ce produit KALORIK est garanti un an, sur le territoire des Etats-Unis, contre les défauts matériels et de fabrication. Cette garantie n'est pas transférable. Conservez la preuve d'achat originelle. Une preuve d'achat est exigée pour obtenir l'application de la garantie.

Durant cette période, le produit KALORIK qui, après inspection par KALORIK, s'avère défectueux, sera réparé ou remplacé, au choix de KALORIK, sans frais pour le consommateur. Si un produit de remplacement est envoyé, c'est la garantie restante du produit originel qui s'appliquera.

La présente garantie ne s'applique pas aux défauts dus à une mauvaise utilisation de la part de l'acheteur ou de l'utilisateur, à une négligence, au non-respect des consignes du manuel d'utilisation KALORIK, à une utilisation sur un circuit électrique au voltage différent de celui renseigné sur le produit, à une usure normale, à des modifications ou réparations non autorisées par KALORIK, ou par un usage à des fins commerciales. Il n'existe pas de garantie pour les parties en verre, récipients en verre, filtres, paniers, lames et accessoires en général. Il n'existe également pas de garantie pour les pièces perdues par l'utilisateur.

Toute garantie de valeur commerciale ou d'adaptabilité à ce produit est également limitée à la garantie d'un an.

Certains états ne limitent pas la longueur de la garantie tacite ou n'autorisent pas l'exclusion de dommages-intérêts accessoires ou indirects, les restrictions ci-dessus peuvent donc ne pas s'appliquer à



Fax +1 305 430 9692

Copies of the I/B. Please reproduce them without any changes except under special instruction from Team International USA. The pages must be reproduced and folded in order to obtain a booklet A5 (+/- 148.5 mm width x 210 mm height). When folding, make sure you keep the good numbering when you turn the pages of the I/B. Don't change the page numbering. Keep the language integrity. **Print only what is inside the frame.**



vous.

Cette garantie vous donne des droits légaux particuliers, et certains droits peuvent varier d'un état à l'autre.

Si l'appareil devait présenter un défaut durant la période de garantie et plus de 30 jours après l'achat, ne ramenez pas l'appareil au magasin : souvent, notre Service Clientèle peut aider à résoudre le problème sans que le produit ne doive être réparé. Si une réparation est nécessaire, un représentant peut confirmer si le produit est sous garantie et vous rediriger vers notre centre de réparation.

Le cas échéant, ramenez le produit (ou envoyez-le, dûment affranchi), ainsi qu'**une preuve d'achat**, en mentionnant **le numéro d'autorisation de retour**, indiqué par notre service clientèle, au service après-vente KALORIK agréé (visitez notre site internet [www.KALORIK.com](http://www.KALORIK.com) ou appelez notre département Service Clientèle pour obtenir l'adresse du service après-vente KALORIK agréé).

Si vous envoyez le produit, veuillez y joindre une lettre expliquant la nature du défaut.

Si vous avez des questions complémentaires, veuillez appeler notre département Service Clientèle (voyez plus bas pour les coordonnées complètes), du Lundi au Jeudi de 9h à 17h (EST) et le Vendredi de 9h à 16h (EST). Veuillez noter que les heures sont sujettes à modification.

Si vous souhaitez nous écrire, adressez votre courrier à:

**KALORIK Customer Service Department**

Team International Group of America Inc.

1400 N.W 159th Street, Suite 102

Miami Gardens, FL 33169 USA

Ou appelez (Gratuitement des Etats-Unis): +1 888-521-TEAM ou +1 888-KALORIK.

**Seules les lettres seront acceptées à l'adresse ci-dessus. Les envois et colis n'ayant pas de numéro d'autorisation de retour seront refusés.**



Back cover page (last page)

Assembly page 24/24



## Free Manuals Download Website

<http://myh66.com>

<http://usermanuals.us>

<http://www.somanuals.com>

<http://www.4manuals.cc>

<http://www.manual-lib.com>

<http://www.404manual.com>

<http://www.luxmanual.com>

<http://aubethermostatmanual.com>

Golf course search by state

<http://golfingnear.com>

Email search by domain

<http://emailbydomain.com>

Auto manuals search

<http://auto.somanuals.com>

TV manuals search

<http://tv.somanuals.com>