




**KALORIK**



## **Rechargeable Grinder and Spice Carousel**

**Molinillo Carrusel para  
sal, pimienta y especias**

**Carrousel à épices avec  
moulin électrique  
rechargeable**

**PPG 36584  
2.4V Rechargeable  
batteries with UL adapter**

[www.KALORIK.com](http://www.KALORIK.com)



Front cover page (first page)

Assembly page 1/26



Fax +1 305 430 9692

Copies of the I/B. Please reproduce them without any changes except under special instruction from Team International USA. The pages must be reproduced and folded in order to obtain a booklet A5 (+/- 148.5 mm width x 210 mm height). When folding, make sure you keep the good numbering when you turn the pages of the I/B. Don't change the page numbering. Keep the language integrity. **Print only what is inside the frame.**



## **(EN) OPERATING INSTRUCTIONS**

**When using electrical appliances, basic safety precautions should always be followed, including the following:**

### **IMPORTANT SAFEGUARDS**

*Please read these instructions carefully before using the appliance.*

**Important:** *People (including children) who are not able to use the appliance in a safe way, due to their physical, sensorial or mental capacity or their lack of experience or knowledge, must never use the appliance except if they are supervised by a person responsible for their safety or if they previously received instructions concerning the safe use of the appliance.*

*Close supervision is necessary to prevent children from using the appliance as a toy.*

- Never leave the appliance unsupervised when in use.
- From time to time check the appliance for damages. Never use the appliance if it shows any signs of damage. All repairs should be made by a qualified electrician.
- Only use the appliance for domestic purposes and in the way indicated in these instructions.
- Never immerse the appliance in water or any other liquid for any reason whatsoever.
- If the batteries leak, remove them, clean the contacts of the appliance and wash your hands.
- If you do not use the appliance for a long time, remove the batteries so that they do not leak.
- Only replace the rechargeable batteries with rechargeable batteries of the same type and rating (Ni-Mh type, AA size, 650mA).
- NEVER replace the rechargeable batteries with non-rechargeable batteries, as the appliance could catch fire.

## **SAVE THESE INSTRUCTIONS HOUSEHOLD USE ONLY**

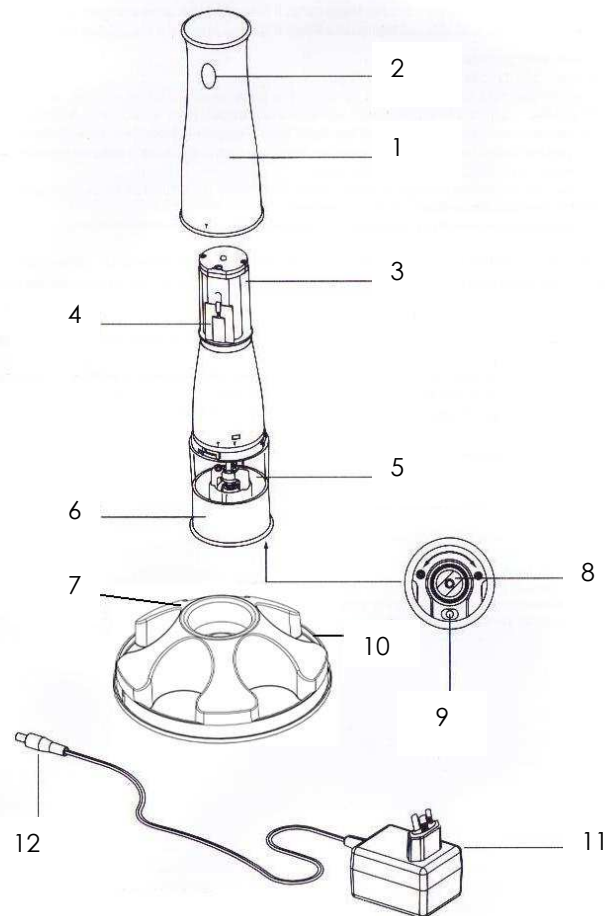


Fax +1 305 430 9692

Copies of the I/B. Please reproduce them without any changes except under special instruction from Team International USA. The pages must be reproduced and folded in order to obtain a booklet A5 (+/- 148.5 mm width x 210 mm height). When folding, make sure you keep the good numbering when you turn the pages of the I/B. Don't change the page numbering. Keep the language integrity. **Print only what is inside the frame.**



## PARTS



- |                                |  |
|--------------------------------|--|
| 1. Stainless Steel Housing     | 7. Charging base / carousel              |
| 2. Grind switch                | 8. Grind adjustment wheel (coarse/fine)  |
| 3. Rechargeable battery-pack   | 9. LED light                             |
| 4. Battery compartment         | 10. Adapter socket on base + pilot light |
| 5. Transparent spice container | 11. Adapter (aspect can vary)            |
| 6. Carousel base               | 12. Adapter plug                         |

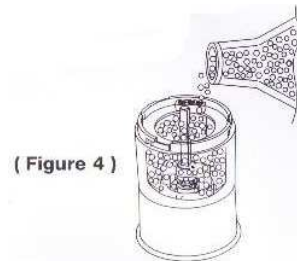


## BEFORE USE

- This appliance runs on a battery pack of 2 x AA type rechargeable batteries. The batteries are pre-installed in the motor housing.
- If the original batteries need to be replaced later, open the batteries housing by sliding the 2 white tabs at the bottom of the motor housing towards the centre. Slide the motor block out to access the battery cavities.
- Do not replace the rechargeable batteries with non-rechargeable ones, as these could catch fire.
- If the rechargeable batteries need replacing, only do with a rechargeable battery pack of the same type and specifications (Ni-Mh type, AA size, 650mA)

### To fill in pepper or salt:

- Simply lift off the lid of each container and fill them with coarse sea salt, peppercorns of other spices suitable to be ground (fig. 4).
- Put the lid back in place to keep the content fresh and dry, until ready to grind.
- Do not fill the containers completely, for best performance.



## CHARGING

- Remove the grinder and components from the packaging.
- Plug the charger cord (12) into the charging base (10), and plug charger (11) into the socket
- With the socket for the adapter (10, 12)) at the right back side, and the grind switch (2) on the motor block (1) positioned towards the front, place the motor block (1) on the center of the base (7) and **turn the motor block clockwise**, until it locks in place and a red pilot light (10) on the base lights up.
- Charging will take approx. 3-4 hours for the first time.
- For longer battery life, leave the grinder to charge for up to 8 hours continuously. Then unplug the adapter from the socket and discharge the batteries to the maximum before recharging.



Fax +1 305 430 9692

Copies of the I/B. Please reproduce them without any changes except under special instruction from Team International USA. The pages must be reproduced and folded in order to obtain a booklet A5 (+/- 148.5 mm width x 210 mm height). When folding, make sure you keep the good numbering when you turn the pages of the I/B. Don't change the page numbering. Keep the language integrity. **Print only what is inside the frame.**



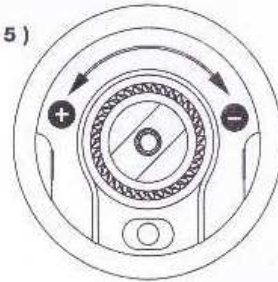
- Please note: the transformer and stainless steel casing will become slightly hot when charging is completed. This is normal. It is recommended that you remove the grinder from its base and let it cool slightly before using, or that you disconnect the charger from the base when the appliance is fully charged (after 8 hours).

Note: the motor block (1) can only charge if no spice container (5) is attached to it.

## SPICE CONTAINERS

- Before seasoning your meals, you can adjust the fineness of the ground salt / peppercorns or spices, by turning the adjustment wheels on the underside of each container
- To do so, turn the wheel clockwise for a finer grind and counterclockwise for a coarser grind (fig. 5)
- Do not turn more than six turns from the finest position to avoid dismantling the adjustment wheel from the container.

( Figure 5 )



Note: you can also use the spice containers to grind, manually, without the motor block. Just keep the lid on and turn the lid clockwise to grind (in this case the LED light will not light up)

## ATTACHING THE SPICE CONTAINERS

- Remove the lid of the container that you want to use.
- Align the arrow on the stainless steel housing with the "Unlock" symbol on the container.
- Lock in place by turning the upper stainless steel part clockwise, until the arrow reaches the "Lock" symbol.
- Grind the desired quantity of spice.
- Proceed reversely to remove the spice container in place.



Fax +1 305 430 9692

Copies of the I/B. Please reproduce them without any changes except under special instruction from Team International USA. The pages must be reproduced and folded in order to obtain a booklet A5 (+/- 148.5 mm width x 210 mm height). When folding, make sure you keep the good numbering when you turn the pages of the I/B. Don't change the page numbering. Keep the language integrity. **Print only what is inside the frame.**



## USE

- With a spice container attached to the motor block, hold the appliance above the meal to season.
- Press on the grind switch.
- A LED light underneath each mill enables you to see how much you are grinding, for a more precise seasoning.
- Interchange the spice containers at will, season to taste.

## MAINTENANCE

- Disassemble the different parts of the appliance (housing, containers, lids) and clean them separately with a damp cloth.
- Do not immerse the motor block in liquid or put it in a dishwasher.
- Do not use with wet hands.
- Do not use cleaning products or detergents.
- Only use with the adapter supplied or of the same type (Input: AC 110V 60Hz, Output: DC 5V 300mA)

## TROUBLESHOOTING

If the mill does not grind, or if no motor noise can be heard, please check that the batteries are not discharged. Recharge if necessary.

If the mill gets stuck during use (motor produces hum, but internal shaft does not turn and no pepper is ground), check the container is properly installed, then gently shake the mill or tap the mill gently on a hard surface, to remove the stuck pepper or salt.

To remove deeply stuck peppercorn, remove the upper lid as if for re-filling the mill, turn the coarseness setting to its coarsest, and tap lightly on a hard surface until all the peppercorn is released. Re-adjust coarseness setting to the desired level once done and replace upper lid.

Note: Too fine a grind setting may not enable salt or pepper to be ground. If the case, set the grinder to a coarser setting (see above).




Fax +1 305 430 9692

Copies of the I/B. Please reproduce them without any changes except under special instruction from Team International USA. The pages must be reproduced and folded in order to obtain a booklet A5 (+/- 148.5 mm width x 210 mm height). When folding, make sure you keep the good numbering when you turn the pages of the I/B. Don't change the page numbering. Keep the language integrity. **Print only what is inside the frame.**



## PROTECTION OF THE ENVIRONMENT

In order to preserve our environment and protect human health, the waste electrical and electronic equipment should be disposed of in accordance with specific rules with the implication of both suppliers

and users. For this reason, as indicated by the symbol  on the rating label or on the packaging, your appliance should not be disposed of as unsorted municipal waste. The user has the right to bring it to a municipal collection point performing waste recovery by means of reuse, recycling or use for other applications in accordance with the directive.



Fax +1 305 430 9692

Copies of the I/B. Please reproduce them without any changes except under special instruction from Team International USA. The pages must be reproduced and folded in order to obtain a booklet A5 (+/- 148.5 mm width x 210 mm height). When folding, make sure you keep the good numbering when you turn the pages of the I/B. Don't change the page numbering. Keep the language integrity. **Print only what is inside the frame.**



## WARRANTY

We suggest that you complete and return the enclosed Product Registration Card promptly to facilitate verification of the date of original purchase. However, return of the Product Registration Card is not a condition of these warranties. You can also fill out this warranty card online, at the following address: [www.KALORIK.com](http://www.KALORIK.com)

This KALORIK product is warranted in the U.S.A. for 1 year from the date of purchase against defects in material and workmanship. This warranty is not transferable. Keep the original sales receipt. Proof of purchase is required to obtain warranty performance.

During this period, if the KALORIK product, upon inspection by KALORIK, is proven defective, it will be repaired or replaced, at Kalorik's option, without charge to the customer. If a replacement product is sent, it will carry the remaining warranty of the original product.

This warranty does not apply to any defect arising from a buyer's or user's misuse of the product, negligence, failure to follow KALORIK instructions noted in the user's manual, use on current or voltage other than that stamped on the product, wear and tear, alteration or repair not authorized by KALORIK, or use for commercial purposes. There is no warranty for glass parts, glass containers, filter basket, blades and agitators, and accessories in general. There is also no warranty for parts lost by the user.

ANY WARRANTY OF MERCHANTABILITY OR FITNESS WITH RESPECT TO THIS PRODUCT IS ALSO LIMITED TO THE ONE YEAR LIMITED WARRANTY PERIOD.

Some states do not allow limitation on how long an implied warranty lasts or do not allow the exclusion of incidental or consequential damages, so the above limitations may not apply to you. This warranty gives you specific legal rights, and you may also have other rights which vary from state to state.





Fax +1 305 430 9692

Copies of the I/B. Please reproduce them without any changes except under special instruction from Team International USA. The pages must be reproduced and folded in order to obtain a booklet A5 (+/- 148.5 mm width x 210 mm height). When folding, make sure you keep the good numbering when you turn the pages of the I/B. Don't change the page numbering. Keep the language integrity. **Print only what is inside the frame.**



If the appliance should become defective within the warranty period and more than 30 days after date of purchase, do not return the appliance to the store: often, our Customer Service Representatives can help solve the problem without having the product serviced. If servicing is needed, a Representative can confirm whether the product is under warranty and direct you to the nearest service location.

If this is the case, bring the product, or send it, postage prepaid by the user (all Kalorik customers are responsible for the initial shipment back to the warranty center), along **with proof of purchase** and a **return authorization number** indicated on the outer package, given by our Customer Service Representatives. Send to the authorized KALORIK Service Center (please visit our website at [www.KALORIK.com](http://www.KALORIK.com) or call our Customer Service Department for the address of our authorized KALORIK Service Center). When sending the product, please include a letter explaining the nature of the claimed defect.

If you have additional questions, please call our Customer Service Department (please see below for complete contact information), Monday through Thursday from 9:00am - 5:00pm (EST) and Friday from 9:00am - 4:00pm (EST). Please note hours are subject to change.

If you would like to write, please send your letter to:

**KALORIK Customer Service Department**

Team International Group of America Inc.  
1400 N.W 159th Street, Suite 102  
Miami Gardens, FL 33169 USA

Or call:

Toll Free: +1 888-521-TEAM / +1 888-KALORIK

**Only letters can be accepted at this address above. Shipments and packages that do not have a return authorization number will be refused.**



Fax +1 305 430 9692

Copies of the I/B. Please reproduce them without any changes except under special instruction from Team International USA. The pages must be reproduced and folded in order to obtain a booklet A5 (+/- 148.5 mm width x 210 mm height). When folding, make sure you keep the good numbering when you turn the pages of the I/B. Don't change the page numbering. Keep the language integrity. **Print only what is inside the frame.**



## **(SP) MANUAL DE INSTRUCCIONES**

**Cuando se utilizan aparatos eléctricos, hay unas precauciones básicas de seguridad que siempre se deben seguir, tales como:**

### **CONSEJOS DE SEGURIDAD**

*Lea detenidamente el modo de empleo antes de utilizar el aparato.*

**Importante:** Las personas (incluidos niños) con incapacidades físicas, sensoriales o mentales, o sin experiencia o conocimiento nunca deben utilizar el aparato, salvo si están bajo la vigilancia de una persona responsable de su seguridad o si recibieron previamente instrucciones con respecto al uso seguro del aparato.

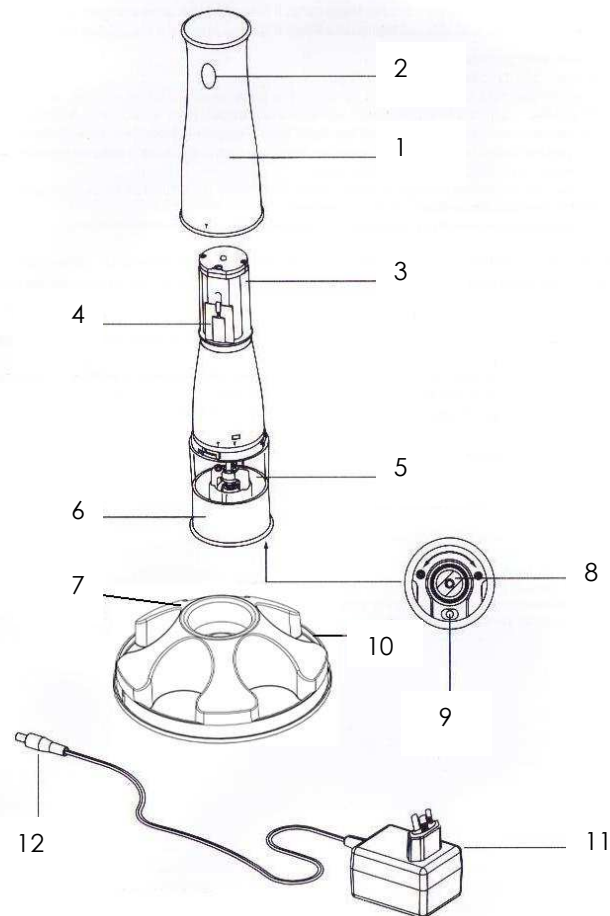
*Es necesario vigilar a los niños para que no jueguen con el aparato.*

- ❑ No deje nunca su aparato sin vigilancia cuando esté en marcha.
- ❑ Compruebe de vez en cuando que el aparato no esté dañado. Nunca utilice el aparato si está dañado. Todas las reparaciones deben ser hechas por un servicio técnico cualificado recomendado por el distribuidor.
- ❑ Utilice el aparato solamente para usos domésticos y de la manera indicada en este manual de instrucciones.
- ❑ No sumerja nunca el aparato en el agua o en cualquier otro líquido por ninguna razón.
- ❑ Antes de limpiar el aparato, quite siempre las pilas.
- ❑ Si las pilas gotean, quítelas, limpie los contactos del aparato y lávese las manos.
- ❑ Si no va a utilizar el aparato durante un largo periodo de tiempo, quite las pilas para que no gotee.
- ❑ Reemplace las baterías recargables únicamente con baterías recargables del mismo tipo y clase (Ni-Mh, AA, 650mA)
- ❑ Nunca reemplace las baterías recargables con baterías no recargables ya que el aparato podría incendiarse.

## **GUARDE ESTAS INSTRUCCIONES SOLAMENTE PARA USO DOMESTICO**



## PARTES



- |                                    |  |
|------------------------------------|--|
| 1. Cuerpo de acero inoxidable      | 8. Rueda ajuste del molido (grueso/fino) |
| 2. Interruptor                     | 9. Luz LED                               |
| 3. Batería recargable              | 10. Enchufe en la base + piloto          |
| 4. Compartimiento de la batería    | 11. Adaptador ( aspecto puede variar)    |
| 5. Envase transparente de especias | 12. Conector del adaptador               |
| 6. Contenedor de base              |  |
| 7. Base de carga / carrusel        |  |

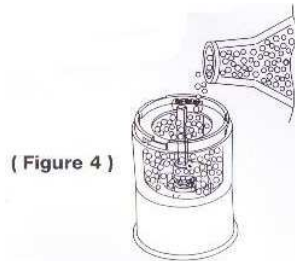


## ANTES DE UTILIZAR EL APARATO

- Este aparato funciona con una caja de 2 pilas recargables, tipo AA.
- Si las baterías originales deben ser reemplazadas después, abrir la caja de baterías deslizando las 2 tapas blancas en la base del cuerpo motor hacia el centro. Deslice el cuerpo del motor para acceder a las cavidades de la batería.
- No remplace las baterías por si mismo. Contacte un electricista calificado.
- No cambie las baterías recargables por no recargables, ya que podrían incendiarse.
- Si las baterías recargables necesitan ser cambiadas, que sea únicamente con un paquete de baterías recargables des mismo tipo y especificaciones (Ni-Mh, tipo AA, 650mA)

### Para llenar de pimienta o sal

- Basta con levantar la tapa de cada recipiente y llenarlos con sal marina, granos de pimienta de otros condimentos adecuados para moler (fig. 4).
- Ponga la tapa en su lugar para mantener el contenido fresco y seco, hasta que esté listo para moler.
- No llene los envases por completo, para un mejor funcionamiento.



## CARGA

- Retire el molinillo y sus componentes de la caja.
- Conecte el cable del cargador en la base de carga, y enchufe el adaptador.
- Con la toma de corriente para el adaptador en la parte trasera derecha, y el interruptor de molido del bloque motor hacia el frente, colocar el bloque motor en el centro de la base y gire el motor hacia la derecha hasta que encaje en su lugar y un testigo luminoso rojo se encienda.



- La primera carga durará aproximadamente. 3-4 horas
- Para una mayor duración de batería, deje cargar el molinillo hasta 8 horas seguidas. A continuación, desenchufe el adaptador de la toma y descarga las baterías al máximo antes de recargarla.
- Tenga en cuenta que el transformador y la caja de acero inoxidable se calentarán ligeramente cuando la carga este completa. Esto es normal. Se recomienda quitar el molinillo de su base y dejar que se enfríe un poco antes de usar, o que desconecte el cargador de la base cuando el aparato está completamente cargado (después de 8 horas).

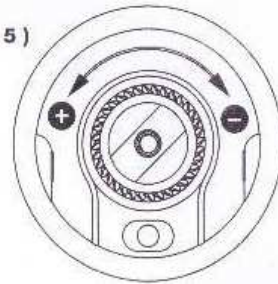
Nota: El bloque del motor sólo pueden cargarse si ningún envase esta unido.

## ENVASES DE ESPECIAS

- Antes de sazonar sus preparaciones, puede ajustar el tamaño de la sal, de la pimienta o de las especias girando la rueda que está debajo de cada envase.
- Por ello, gire la rueda en el sentido de las agujas del reloj para granos más finos o en el sentido contrario para granos más gruesos (fig.5).
- No gire más de 6 vueltas desde la posición mas fina para evitar que la rueda se desmonte del envase.

Nota: también puede usar los envases para moler manualmente las especias sin el bloque motor. Sujete de la tapa y gire hacia la derecha (en este caso, la luz LED no se enciende)

( Figure 5 )





Fax +1 305 430 9692

Copies of the I/B. Please reproduce them without any changes except under special instruction from Team International USA. The pages must be reproduced and folded in order to obtain a booklet A5 (+/- 148.5 mm width x 210 mm height). When folding, make sure you keep the good numbering when you turn the pages of the I/B. Don't change the page numbering. Keep the language integrity. **Print only what is inside the frame.**



## COLOCACIÓN DE LOS ENVASES

- Retire la tapa del envase que desee utilizar.
- Alinear la flecha del cuerpo de inoxidable con el símbolo "desbloqueo" en el envase.
- Cierre girando la parte superior de acero inoxidable hacia la derecha hasta que la flecha llegue al símbolo de "bloqueo".
- Muela la cantidad deseada de especias.
- Proceder en orden inverso para retirar el envase de su lugar.

## USO

- Con un envase unido al bloque motor, mantenga el aparato sobre la comida que quiera condimentar.
- **Pulse el interruptor de moler.**
- La luz LED bajo cada molinillo le permite ver la cantidad que esta moliendo, para un condimento más preciso.
- Intercambie los envases a voluntad, y sazone al gusto.

## MANTENIMIENTO

- Desmonte las diferentes partes del aparato (cuerpo, envases, tapas) y límpielas de manera separada con un pañuelo húmedo.
- No sumerja el bloque motor en agua u otro líquido, ni lo ponga en el lavavajillas.
- No lo use con las manos mojadas.
- No utilice productos de limpieza o detergentes.
- Utilice con adaptador AC 110V 60Hz / DC 5V 300mA



Fax +1 305 430 9692

Copies of the I/B. Please reproduce them without any changes except under special instruction from Team International USA. The pages must be reproduced and folded in order to obtain a booklet A5 (+/- 148.5 mm width x 210 mm height). When folding, make sure you keep the good numbering when you turn the pages of the I/B. Don't change the page numbering. Keep the language integrity. **Print only what is inside the frame.**



## SOLUCIÓN DE PROBLEMAS

Si el molinillo no muele, o si no oye el ruido del motor, compruebe que las pilas estén instaladas correctamente y no estén gastadas. Para obtener mejores resultados se recomienda usar pilas alcalinas.


Si el molinillo se atasca durante el uso (se oye el zumbido del motor, pero el eje interior no gira y no se muele la pimienta), agítelo suavemente o dé un ligero golpe sobre el molinillo sobre una superficie dura, para quitar el grano de pimienta o sal atascado.

Para eliminar los granos de pimienta profundamente atascados, retire la tapa superior como si fuera a rellenar de nuevo el molinillo, gire a la configuración más gruesa del molido de los granos, remueva o saque la pimienta, y si no sale golpee ligeramente sobre una superficie dura hasta que salga. Vuelva a ajustar el granulado deseado y cierre la tapa.

Nota: una posición de molido demasiado fina puede impedir que la pimienta o la sal sea molida. En este caso use una posición de molido menos fino.

## PROTECCIÓN DEL MEDIO AMBIENTE

Para poder preservar nuestro medio ambiente y proteger la salud humana, los residuos eléctricos y equipos electrónicos deberían ser destruidos de acuerdo con unas normas específicas con la implicación de ambos

proveedores y consumidores. Por esta razón, como indica el símbolo  en la placa de datos técnicos, su aparato no debería ser tirado en un contenedor municipal sino que debería ser devuelto a la tienda, o dejado en un punto de recolección para ser reciclado o usado para otras aplicaciones conforme a la directiva.



Fax +1 305 430 9692

Copies of the I/B. Please reproduce them without any changes except under special instruction from Team International USA. The pages must be reproduced and folded in order to obtain a booklet A5 (+/- 148.5 mm width x 210 mm height). When folding, make sure you keep the good numbering when you turn the pages of the I/B. Don't change the page numbering. Keep the language integrity. **Print only what is inside the frame.**



## GARANTÍA

Le sugerimos rellenen y nos envíen rápidamente la Tarjeta de Registro de Producto adjunta para facilitar la verificación de la fecha de compra. Por lo tanto, la devolución de esa Tarjeta de Registro de Producto no es una condición imprescindible para la aplicación de esa garantía. Puede también rellenar dicha tarjeta de garantía en línea en la dirección siguiente: [www.KALORIK.com](http://www.KALORIK.com)

A partir de la fecha de compra, este producto KALORIK está garantizado un año contra los defectos materiales y de fabricación, en los Estados Unidos. Esta garantía no es transferible. Conserve la prueba de compra original. Se exige una prueba de compra para obtener la aplicación de la garantía.

Durante este período, si el producto KALORIK después de una inspección por parte de KALORIK, se manifiesta defectuoso, será reparado o reemplazado, según lo que decida KALORIK, sin gastos para el consumidor. Si se envía un producto de reemplazo, se aplicará la garantía que queda del producto original.

Esta garantía no se aplica a los defectos causados por una mala utilización por parte del comprador o del usuario, o una negligencia al no respeto del manual de instrucciones KALORIK, o una utilización en un circuito eléctrico cuyo voltaje es diferente al que figura en el producto, o un desgaste normal, o modificaciones o reparaciones no autorizadas por KALORIK, o por un uso con fines comerciales. No existe garantía por las partes de cristal, jarras de cristal, filtros, cestos, cuchillas y accesorios en general. No existe tampoco garantía por las piezas perdidas por el usuario.

Toda garantía de valor comercial o de adaptabilidad a este producto está limitada a un año también.

Algunos estados no ponen límites a la duración de la garantía tácita o no autorizan la exclusión de daños y perjuicios accesorios o indirectos, por lo que puede que las restricciones anteriormente mencionadas no le sean aplicables a Usted. Esta garantía le otorga derechos legales particulares, pero usted puede tener también otros





Fax +1 305 430 9692

Copies of the I/B. Please reproduce them without any changes except under special instruction from Team International USA. The pages must be reproduced and folded in order to obtain a booklet A5 (+/- 148.5 mm width x 210 mm height). When folding, make sure you keep the good numbering when you turn the pages of the I/B. Don't change the page numbering. Keep the language integrity. **Print only what is inside the frame.**



derechos que varían de un estado a otro y algunos derechos pueden variar de un estado a otro.

Si el aparato tuviera un defecto durante el periodo de garantía y / o más de 30 días después de que se compró, no devuelva el aparato en la tienda donde le compró: a menudo, nuestro Servicio al Consumidor puede ayudar a resolver el problema sin que el producto tenga que ser reparado. Si hace falta una reparación, uno de nuestros representantes puede confirmar si el producto está bajo garantía y dirigirle al servicio post-venta más próximo.

Si fuera el caso, traiga el producto (o envíelo, correctamente franqueado) con la **prueba de compra** que mencione **el número de autorización de devolución** indicado por nuestro Servicio al Consumidor, al servicio post-venta KALORIK más próximo. (Visite nuestra web [www.KALORIK.com](http://www.KALORIK.com) o llame al Servicio al Consumidor para obtener la dirección del Servicio post-venta KALORIK exclusivo más próximo).

Si envía el producto, le rogamos añadan una carta explicando la naturaleza del defecto.

Si tiene preguntas adicionales, por favor llame al Servicio al Consumidor (véase abajo para los datos completos), de lunes a jueves, de las 9:00 a las 17:00 (EST), y el viernes de las 9:00 a las 16:00 (EST). Note que las horas pueden ser modificadas.

Si quiere escribirnos, puede hacerlo a la dirección siguiente:

**KALORIK Servicio al Consumidor**

Team International Group of America Inc.  
1400 N.W 159th Street, Suite 102  
Miami Gardens, FL 33169 USA

O llame gratuitamente (U.S.A.) al +1 888-521-TEAM / +1 888-KALORIK

**Las cartas se aceptan solamente en la dirección anteriormente mencionada. Los envíos y paquetes que no tengan número de autorización de devolución serán rechazados.**



Fax +1 305 430 9692

Copies of the I/B. Please reproduce them without any changes except under special instruction from Team International USA. The pages must be reproduced and folded in order to obtain a booklet A5 (+/- 148.5 mm width x 210 mm height). When folding, make sure you keep the good numbering when you turn the pages of the I/B. Don't change the page numbering. Keep the language integrity. **Print only what is inside the frame.**



## **(FR) MODE D'EMPLOI**

# **CONSIGNES DE SECURITE**

**Pour utiliser des appareils électriques, des précautions de sécurité basiques doivent être suivies, telles que :**

*Lisez attentivement cette notice avant toute utilisation.*

**Important :** *Votre appareil n'est pas prévu pour être utilisé par des personnes ( y compris les enfants ) dont les capacités physiques, sensorielles ou mentales sont réduites, ou des personnes dénuées d'expérience ou de connaissance, sauf si elles ont pu bénéficier, par l'intermédiaire d'une personne responsable de leur sécurité, d'une surveillance ou d'instructions préalables concernant son utilisation en toute sécurité.*

*Il convient de surveiller les enfants pour s'assurer qu'ils ne jouent pas avec l'appareil.*

- Ne laissez jamais votre appareil sans surveillance lorsque celui-ci est en fonctionnement.
- Vérifiez régulièrement l'état de votre appareil et s'il est endommagé de quelque façon que ce soit, faites le vérifier et réparer par un service qualifié (\*).
- Utilisez l'appareil uniquement pour des usages domestiques et de la manière indiquée dans la notice.
- Ne plongez jamais l'appareil dans l'eau ou dans tout autre liquide ni pour son nettoyage ni pour toute autre raison.
- Si les batteries fuient, retirez-les, nettoyez les contacts de votre appareil puis lavez-vous les mains.
- En cas d'arrêt prolongé, retirez les batteries pour éviter qu'elles ne fuient.
- Ne remplacez les batteries rechargeables que par des batteries du même type et de mêmes spécifications (type Ni-Mh, format AA 650mA).
- Ne remplacez jamais les batteries rechargeables par des batteries de type non-rechargeable, car l'appareil pourrait prendre feu.

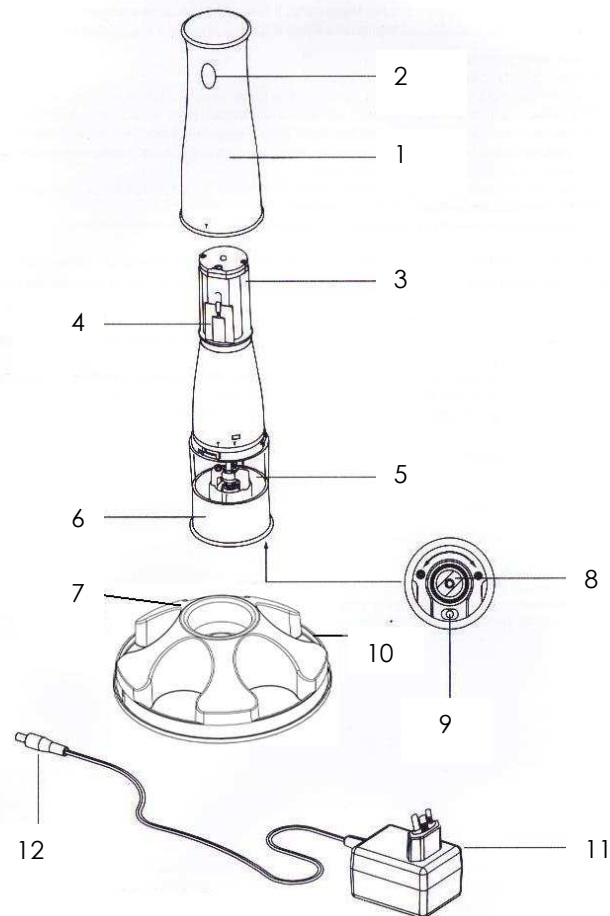
(\* Service qualifié: Service après-vente du fabricant ou de l'importateur ou une personne qualifiée, reconnue et habilitée à faire ce genre de réparation afin d'éviter tout danger. Dans tous les cas, veuillez retourner l'appareil auprès de ce service.

## **CONSERVEZ CES INSTRUCTIONS**

## **USAGE DOMESTIQUE UNIQUEMENT**



## DESCRIPTION



- |                                |   |
|--------------------------------|---|
| 1. Boitier en acier inoxydable | 8. Roue de réglage du niveau de mouture |
| 2. Bouton pour moudre          | 9. Eclairage (LED)                      |
| 3. Batteries rechargeables     | 10. Fiche + lampe témoin                |
| 4. Compartiment à batteries    | 11. Adaptateur (l'aspect peut varier)   |
| 5. Boite à épice transparente  | 12. Connecteur pour la base             |
| 6. Base du carrousel           |   |
| 7. Carrousel / chargeur        |   |



Fax +1 305 430 9692

Copies of the I/B. Please reproduce them without any changes except under special instruction from Team International USA. The pages must be reproduced and folded in order to obtain a booklet A5 (+/- 148.5 mm width x 210 mm height). When folding, make sure you keep the good numbering when you turn the pages of the I/B. Don't change the page numbering. Keep the language integrity. **Print only what is inside the frame.**



## AVANT L'EMPLOI

- Cet appareil fonctionne avec un pack de batteries composé de 2 piles rechargeables de forme AA. Les batteries rechargeables sont préinstallées dans le bloc moteur.
- Si les batteries doivent être remplacées plus tard, ouvrez le boîtier en faisant glisser les deux marques blanches indiquées au bas du boîtier vers le centre. Retirez ensuite le boîtier pour accéder à l'emplacement des batteries.
- Ne remplacez pas les batteries rechargeables par des batteries non rechargeables, car celles-ci pourraient prendre feu.
- Si les batteries rechargeables doivent être remplacées, ne les remplacez que par des batteries du même type et de mêmes spécifications (type Ni-Mh, format AA, 650mA).

### Pour remplir les boîtes à épices :

- Retirez tout simplement le couvercle de chaque boîte et remplissez les avec du gros sel, des grains de poivre ou d'autres épices pouvant être moulues dans un moulin. (fig. 4)
- Remettez les couvercles en place pour garder le contenu des boîtes au sec et préserver la fraîcheur des épices. Les épices sont ainsi toujours prêtes à être moulues.
- Pour une meilleure performance, ne remplissez pas les boîtes à ras-bord.

( Figure 4 )



## MISE EN CHARGE

- Retirez le moulin et toutes les pièces de leur emballage.
- Connectez la fiche de l'adaptateur (12) sur la base (10), puis branchez l'adaptateur (11) sur une prise de courant.
- Avec la fiche sur la base (10) orientée sur votre droite, et le bouton de mouture (2) sur le boîtier (1) étant face à vous, placez le boîtier (1) au centre de la base (7) et donnez au boîtier un mouvement de rotation dans le sens des aiguilles d'une montre, jusqu'à ce qu'il soit verrouillé en place et que le voyant lumineux sur la base (10) s'allume.



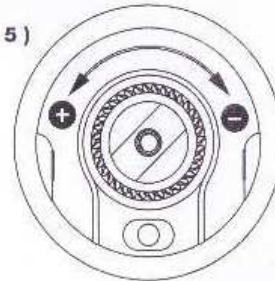
- La première charge va durer de 3 à 4 heures
- Pour une meilleure durée de vie des batteries, laissez le moulin à charger pendant 8 heures, puis débranchez l'adaptateur de la prise murale, en laissant l'appareil se décharger au maximum avant de le recharger à nouveau.
- Note : l'adaptateur et le boîtier peuvent devenir un peu chaud une fois la pleine charge atteinte. Ceci est normal. Il est recommandé de laisser le boîtier refroidir hors de sa base pendant quelques instants avant de l'utiliser, ou de débrancher l'adaptateur une fois la pleine charge atteinte.

Note : le boîtier (1) ne peut être rechargé que quand aucune boîte à épice (5) n'y est attachée.

## LES BOITES A EPICE

- Avant d'assaisonner vos plats, vous pouvez régler la finesse de la mouture, en tournant la molette située sous chaque boîte à épice.
- Pour ce faire, tournez dans le sens des aiguilles d'une montre pour une mouture plus fine, ou dans le sens inverse pour un réglage plus grossier. (Fig. 5)
- Ne tournez pas plus de 6 tours complets à partir de la position pour la mouture la plus fine, afin de ne pas désassembler la roue d'ajustement.

( Figure 5 )



Note : vous pouvez aussi utiliser les moulins intégrés dans chaque boîte manuellement, sans utiliser le bloc moteur. Laissez simplement le couvercle en place et tournez-le dans le sens des aiguilles d'une montre pour moulin (dans ce cas, la lampe intégrée au moulin ne fonctionnera pas)



Fax +1 305 430 9692

Copies of the I/B. Please reproduce them without any changes except under special instruction from Team International USA. The pages must be reproduced and folded in order to obtain a booklet A5 (+/- 148.5 mm width x 210 mm height). When folding, make sure you keep the good numbering when you turn the pages of the I/B. Don't change the page numbering. Keep the language integrity. **Print only what is inside the frame.**



## MISE EN PLACE DES BOITES A EPICES

- Retirez le couvercle de la boîte à épice.
- Alignez la flèche sur le boîtier en acier avec le signe « Déverrouillé » sur la boîte.
- Verrouillez la boîte en tournant le boîtier supérieur dans le sens des aiguilles d'une montre, de façon à ce que la flèche corresponde avec le symbole « Verrouillé ».
- Vous pouvez alors commencer à moulin.
- Procédez de la façon inverse pour retirer la boîte à épice.

## USAGE

- Une fois qu'une boîte à épice (5) est connectée au boîtier (1), tenez-le au-dessus du plat à assaisonner.
- Appuyez sur le bouton de mouture (2)
- Une lampe LED située sous chaque moulin s'allume, vous permettant de voir précisément la quantité de poivre, sel ou épice que vous êtes en train de moulin.
- Inter-changez les boîtes à épice à volonté et selon vos besoins.

## ENTRETIEN

- Démontez les différentes parties de l'appareil et nettoyez-les séparément à l'aide d'un chiffon humide.
- N'immergez jamais le moulin ou le bloc moteur dans un liquide, et ne les mettez pas au lave-vaisselle.
- Ne pas utiliser avec des mains mouillées.
- Ne pas utiliser de détergents ou produits de nettoyage sur cet appareil.
- N'utilisez qu'avec l'adaptateur fourni, ou alors un adaptateur avec les mêmes spécifications (Entrée : AC 110V 60 Hz ; Sortie : DC 5V 300mA)



Fax +1 305 430 9692

Copies of the I/B. Please reproduce them without any changes except under special instruction from Team International USA. The pages must be reproduced and folded in order to obtain a booklet A5 (+/- 148.5 mm width x 210 mm height). When folding, make sure you keep the good numbering when you turn the pages of the I/B. Don't change the page numbering. Keep the language integrity. **Print only what is inside the frame.**



## EN CAS DE NON FONCTIONNEMENT

Si le moulin ne fonctionne pas, la cause la plus probable est que les piles sont déchargées. Vérifiez et rechargez si nécessaire.

Si le moulin se bloque pendant l'usage (le moteur se fait entendre, mais le moulin ne tourne pas), secouez-le et tapez-le doucement sur une surface dure, pour déloger le grain de poivre qui peut se retrouver bloqué dans l'appareil.


Pour retirer un grain de poivre complètement bloqué, retirer le couvercle comme pour remplir le moulin, et tournez la molette comme pour obtenir la mouture la plus grossière, puis tapez le couvercle doucement sur une surface dure pour déloger les grains de poivre. Une fois fait, remettez le couvercle en place.

Note : un réglage de mouture trop fine peut ne pas permettre au sel ou au poivre d'être moulu. Si c'est le cas, choisissez un niveau de mouture moins fine.

## PROTECTION DE L'ENVIRONNEMENT

Afin de préserver notre environnement et notre santé, l'élimination en fin de vie des appareils électriques et électroniques doit se faire selon des règles bien précises et nécessite l'implication de chacun, qu'il soit fournisseur ou utilisateur. C'est pour cette raison que votre



appareil, tel que le signale le symbole  apposé sur sa plaque signalétique ou sur l'emballage, ne doit en aucun cas être jeté dans une poubelle publique ou privée destinée aux ordures ménagères. L'utilisateur a le droit de déposer l'appareil dans des lieux publics de collecte procédant à un tri sélectif des déchets pour être soit recyclé, soit réutilisé pour d'autres applications conformément à la directive en vigueur.



Fax +1 305 430 9692

Copies of the I/B. Please reproduce them without any changes except under special instruction from Team International USA. The pages must be reproduced and folded in order to obtain a booklet A5 (+/- 148.5 mm width x 210 mm height). When folding, make sure you keep the good numbering when you turn the pages of the I/B. Don't change the page numbering. Keep the language integrity. **Print only what is inside the frame.**



## GARANTIE

Nous vous suggérons de remplir et de nous renvoyer rapidement la Carte d'Enregistrement Produit ci-jointe afin de faciliter la vérification de la date d'achat. Cependant, le renvoi de la Carte d'Enregistrement Produit n'est pas une condition indispensable à l'application de la présente garantie. Vous pouvez aussi remplir cette carte de garantie en ligne à l'adresse suivante : **[www.KALORIK.com](http://www.KALORIK.com)**.

A compter de la date d'achat, ce produit KALORIK est garanti un an, sur le territoire des Etats-Unis, contre les défauts matériels et de fabrication. Cette garantie n'est pas transférable. Conservez la preuve d'achat originelle. Une preuve d'achat est exigée pour obtenir l'application de la garantie.

Durant cette période, le produit KALORIK qui, après inspection par KALORIK, s'avère défectueux, sera réparé ou remplacé, au choix de KALORIK, sans frais pour le consommateur. Si un produit de remplacement est envoyé, c'est la garantie restante du produit original qui s'appliquera.

La présente garantie ne s'applique pas aux défauts dus à une mauvaise utilisation de la part de l'acheteur ou de l'utilisateur, à une négligence, au non-respect des consignes du manuel d'utilisation KALORIK, à une utilisation sur un circuit électrique au voltage différent de celui renseigné sur le produit, à une usure normale, à des modifications ou réparations non autorisées par KALORIK, ou par un usage à des fins commerciales. Il n'existe pas de garantie pour les parties en verre, récipients en verre, filtres, paniers, lames et accessoires en général. Il n'existe également pas de garantie pour les pièces perdues par l'utilisateur.

Toute garantie de valeur commerciale ou d'adaptabilité à ce produit est également limitée à la garantie d'un an.

Certains états ne limitent pas la longueur de la garantie tacite ou n'autorisent pas l'exclusion de dommages-intérêts accessoires ou indirects, les restrictions ci-dessus peuvent donc ne pas s'appliquer à





Fax +1 305 430 9692

Copies of the I/B. Please reproduce them without any changes except under special instruction from Team International USA. The pages must be reproduced and folded in order to obtain a booklet A5 (+/- 148.5 mm width x 210 mm height). When folding, make sure you keep the good numbering when you turn the pages of the I/B. Don't change the page numbering. Keep the language integrity. **Print only what is inside the frame.**



vous. Cette garantie vous donne des droits légaux particuliers, et certains droits peuvent varier d'un état à l'autre.

Si l'appareil devait présenter un défaut durant la période de garantie et plus de 30 jours après l'achat, ne ramenez pas l'appareil au magasin : souvent, notre Service Clientèle peut aider à résoudre le problème sans que le produit ne doive être réparé. Si une réparation est nécessaire, un représentant peut confirmer si le produit est sous garantie et vous rediriger vers notre centre de réparation.

Le cas échéant, ramenez le produit (ou envoyez-le, dûment affranchi), ainsi qu'**une preuve d'achat**, en mentionnant **le numéro d'autorisation de retour**, indiqué par notre service clientèle, au service après-vente KALORIK agréé (visitez notre site internet **[www.KALORIK.com](http://www.KALORIK.com)** ou appelez notre département Service Clientèle pour obtenir l'adresse du service après-vente KALORIK agréé).

Si vous envoyez le produit, veuillez y joindre une lettre expliquant la nature du défaut.

Si vous avez des questions complémentaires, veuillez appeler notre département Service Clientèle (voyez plus bas pour les coordonnées complètes), du Lundi au Jeudi de 9h à 17h (EST) et le Vendredi de 9h à 16h (EST). Veuillez noter que les heures sont sujettes à modification.

Si vous souhaitez nous écrire, adressez votre courrier à:

**KALORIK Customer Service Department**

Team International Group of America Inc.  
1400 N.W 159th Street, Suite 102  
Miami Gardens, FL 33169 USA

Ou appelez (Gratuitement des Etats-Unis): +1 888-521-TEAM ou +1 888-KALORIK.

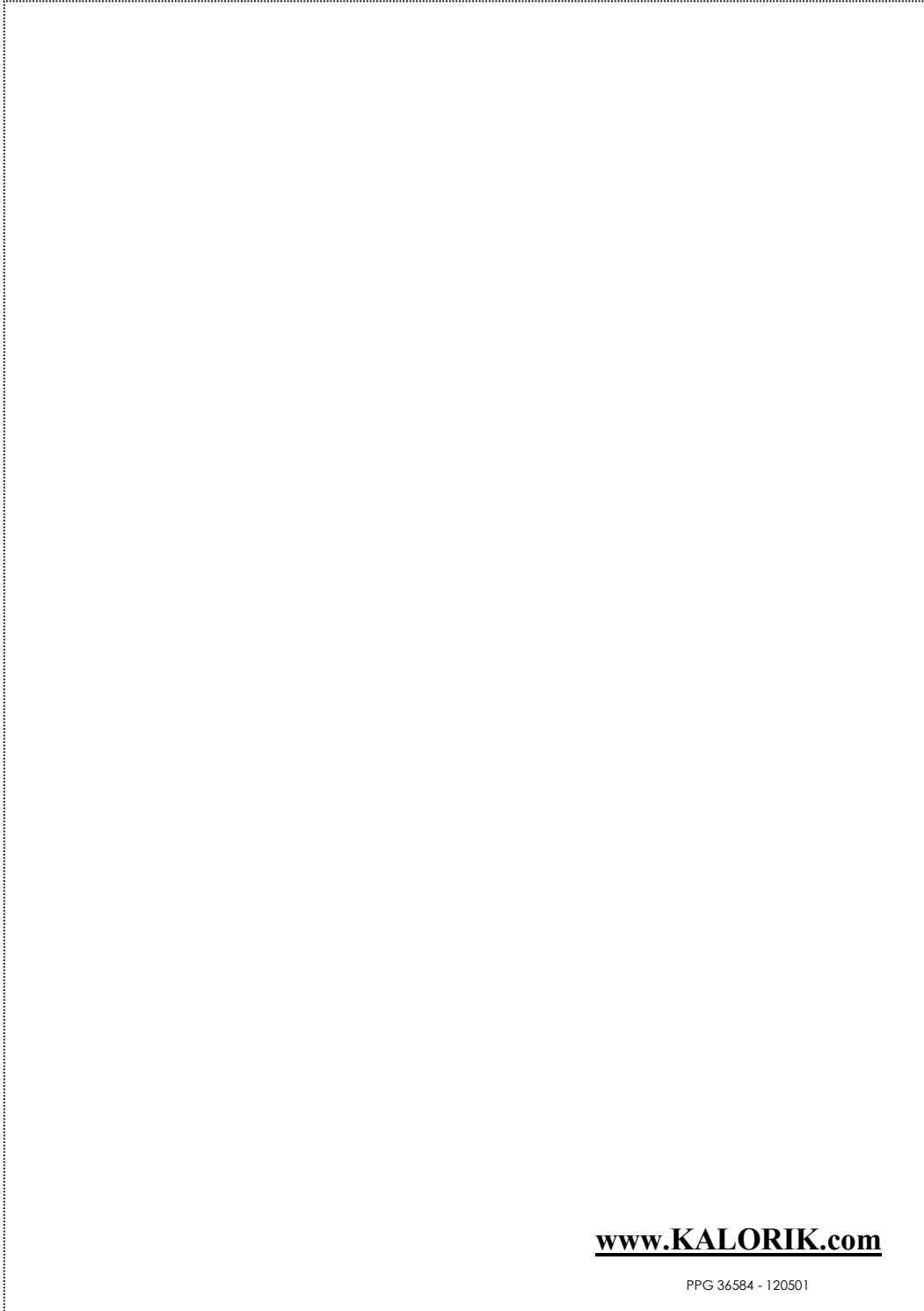
**Seules les lettres seront acceptées à l'adresse ci-dessus. Les envois et colis n'ayant pas de numéro d'autorisation de retour seront refusés.**

PPG 36584 - 120501



Fax +1 305 430 9692

Copies of the I/B. Please reproduce them without any changes except under special instruction from Team International USA. The pages must be reproduced and folded in order to obtain a booklet A5 (+/- 148.5 mm width x 210 mm height). When folding, make sure you keep the good numbering when you turn the pages of the I/B. Don't change the page numbering. Keep the language integrity. **Print only what is inside the frame.**



**[www.KALORIK.com](http://www.KALORIK.com)**

PPG 36584 - 120501

## Free Manuals Download Website

<http://myh66.com>

<http://usermanuals.us>

<http://www.somanuals.com>

<http://www.4manuals.cc>

<http://www.manual-lib.com>

<http://www.404manual.com>

<http://www.luxmanual.com>

<http://aubethermostatmanual.com>

Golf course search by state

<http://golfingnear.com>

Email search by domain

<http://emailbydomain.com>

Auto manuals search

<http://auto.somanuals.com>

TV manuals search

<http://tv.somanuals.com>