


**KALORIK**  
 **KALORIK**



**Upright Vacuum Cleaner**

**Aspirador vertical**

**USK SKV 3**  
120V~ 1200W

# **EN** OPERATING INSTRUCTIONS

## **IMPORTANT SAFEGUARDS**

When using your appliance, basic safety precautions should always be followed, including the following:

### **READ ALL INSTRUCTIONS**

**WARNING:** To reduce the risk of fire, electric shock or injury:

1. Do not use outdoors or on wet surfaces.
2. Do not leave appliance when plugged in. Unplug from outlet when not in use and before servicing.
3. Check that your mains voltage corresponds to that stated on the rating plate of the appliance before using the appliance.
4. Do not allow to be used as a toy. Close supervision is necessary when used by or near children.
5. Only for domestic use - industrial or commercial use invalidates warranty.
6. Use only as described in this manual. Use only manufacturer's recommended attachments.
7. Do not use with damaged cord or plug. If appliance is not working as it should, has been dropped, damaged, left outdoors, or dropped into water, return it to a service center.
8. Do not pull or carry by the cord, use the cord as a handle, close a door on the cord, or pull the cord around sharp edges or corners. Do not run the appliance over the cord. Keep the cord away from heated surfaces.
9. Do not unplug by pulling on the cord. To unplug, grasp the plug, not the cord.
10. Do not handle the plug or appliance with wet hands.
11. Unplug the appliance from the outlet before any routine cleaning or maintenance.

12. Do not put any object into openings. Do not use with any opening blocked; keep free of dust, lint, hair, and anything that may reduce airflow.
13. Keep hair, loose clothing, fingers, and all parts of body away from openings and moving parts. Do not operate the cleaner in bare feet or when wearing open toe shoes or sandals
14. Do not pick up anything that is burning or smoking, such as cigarettes, matches, or hot ashes.
15. Do not use the vacuum cleaner to pick up large objects that are likely to cause blockages or damage.
16. Do not use the vacuum cleaner without filters or dust container in place.
17. To avoid burning the carpet when the vacuum cleaner head is lowered, keep the vacuum cleaner head moving at all times.
18. Turn off all controls before unplugging.
19. Use extra care when cleaning on stairs.
20. Do not use to pick up flammable or combustible liquids such as gasoline or use in areas where they may be present.
21. Keep the end of the hose, wands and other openings away from your face and body.
22. Always unplug this appliance before connecting or disconnecting the hose.
23. Store the vacuum cleaner indoors.
24. Use only on dry, indoor surfaces.

## SAVE THESE INSTRUCTIONS

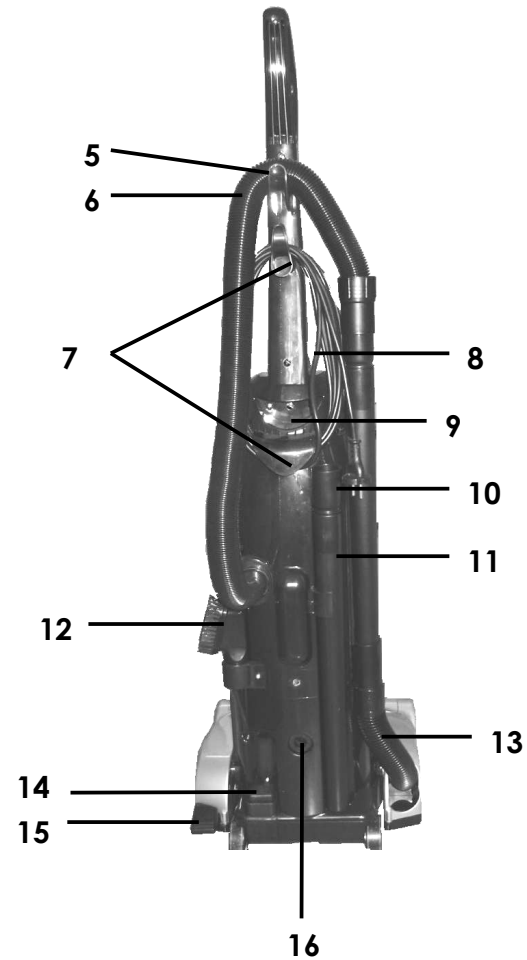
### POLARIZED PLUG INSTRUCTIONS

This appliance has a polarized plug (one blade is wider than the other). To reduce the risk of electric shock, this plug will fit into the polarized outlet only one way. If the plug does not properly fit into the outlet at first, reverse it. If it still does not fit, contact a competent qualified electrician. **Do not attempt to modify the plug in any way.**

## PARTS



1. Handle
2. Dust container
3. Grid of the air exhaust filter
4. Base height adjusting button



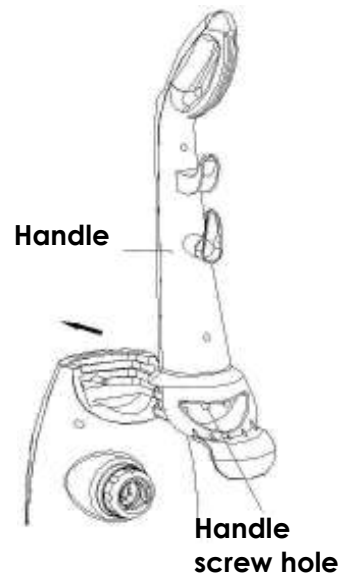
5. Hose hook
6. Hose
7. Power cord hooks
8. Power cord
9. Carrying handle
10. Crevice tool
11. Extension tube
12. Small brush
13. Lower hose
14. ON/OFF switch
15. Handle release button
16. Safety valve

## ASSEMBLY

Carefully remove all packaging material.  
To assemble the vacuum cleaner proceed as follows.

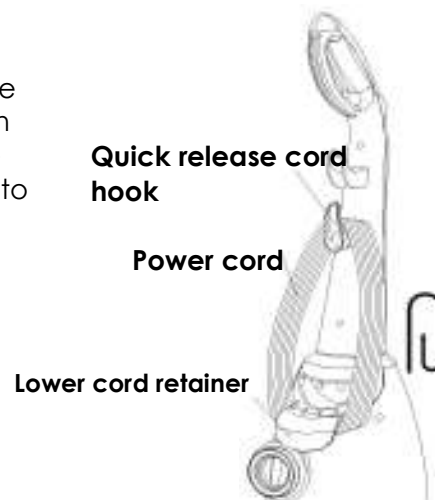
### Fitting the handle

- Place the handle onto the main body.
- Secure using the screw provided.



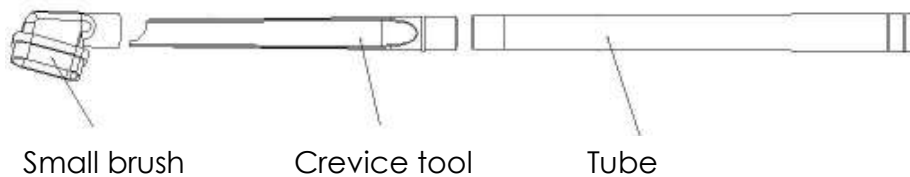
### Power cord

Unwind the power cord and wind the cord on to the cable hooks as shown in the rear view. Note that the cable hook on the handle can be rotated to release the cable when required.



### Assembly of the accessories

- After the handle has been assembled to the body of the vacuum cleaner and the power cord has been wrapped around the cord holders, the attachments can be assembled.
- The crevice tool is situated in the extension tube. Before using the appliance, always remove this crevice tool from the tube, even if you do not use it. Otherwise, the crevice tool might block some dust particles in the tube.
- To use the crevice tool and/or the small brush, mount them to the extension tube as described below, and attach the tube to the upper flexible hose.



- If you want to use the vacuum cleaner with the agitator function, connect the tube to the lower and upper flexible hose.

### Attachment Storage

- Place the tube into the tube holder.
- Loop the loose hose over the hose hook.
- Slide the crevice tool inside the extension tube when not in use.
- Place the small brush into the brush holder.

### Transporting the vacuum cleaner

To move your vacuum cleaner from room to room, unplug the mains cable and carry the vacuum cleaner using its carrying handle.

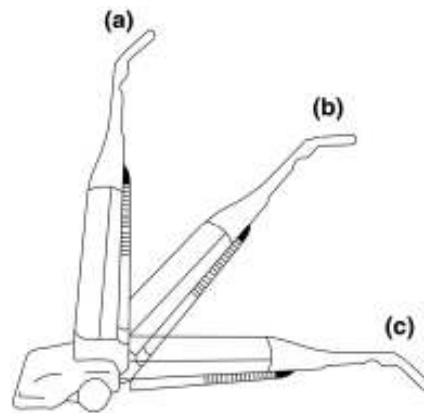
## USING THE VACUUM CLEANER

Unwind the power cord and plug the vacuum cleaner into the mains supply socket.

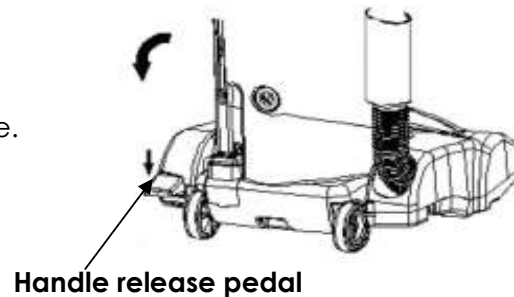
### Handle position

The handle can be used in three positions:

- (a) Upright for storage and when using the accessories.
- (b) Normal use.
- (c) For cleaning under low furniture.

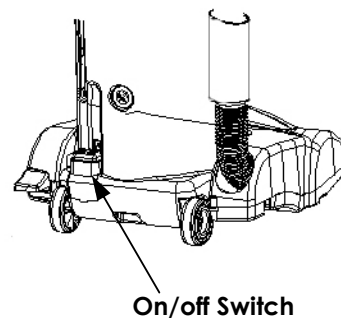


To tilt the vacuum cleaner from the upright position press the handle release pedal with your foot and pull back on the handle.



### Switching On

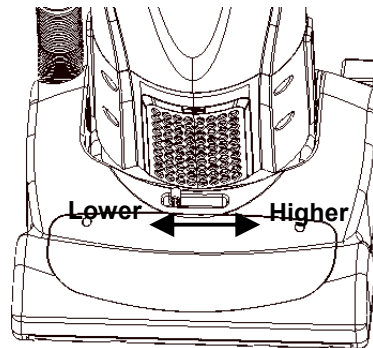
With the handle in the normal operating position, press the On/Off switch with your foot to switch the vacuum cleaner on.



### Base height adjustment

The base height can be adjusted for different types of floor covering and carpet thickness.

For hard floors slide the adjuster to the left, 'Low' position. For thicker carpets slide the adjuster to the right, 'High' position. For normal carpets slide the adjuster to the middle.



### Accessory tools

- Place the vacuum cleaner into the upright position and set the base height adjustment lever to the highest setting.
- Remove the flexible hose from the lower hose and fit the accessory you want to use onto the nozzle using the additional extension tube if needed.
- To remove the tool, gently twist and pull apart. Store the accessories in their correct storage position (see above).

### Switching off

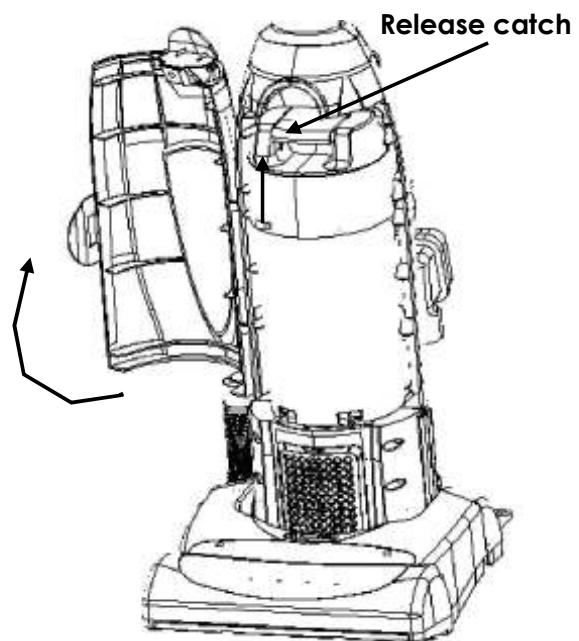
To switch the vacuum cleaner off, place the vacuum cleaner into the upright position and press the on/off switch again. Unplug the appliance and wind the power cord around the cable hooks for storage.



## CLEANING AND CARE

**Caution:** Always make sure that your vacuum cleaner is unplugged before emptying the dust container or checking for blockages

•



## Free Manuals Download Website

<http://myh66.com>

<http://usermanuals.us>

<http://www.somanuals.com>

<http://www.4manuals.cc>

<http://www.manual-lib.com>

<http://www.404manual.com>

<http://www.luxmanual.com>

<http://aubethermostatmanual.com>

Golf course search by state

<http://golfingnear.com>

Email search by domain

<http://emailbydomain.com>

Auto manuals search

<http://auto.somanuals.com>

TV manuals search

<http://tv.somanuals.com>