



KALORIK



**Rechargeable pepper and
salt grinder set**

**Molinillo para sal y
pimienta recargable**

**Ensemble de moulins à
sel et à poivre
rechargeable**

**PPG 40738
7.2V rechargeable batteries
with UL adapter**

www.KALORIK.com



Front cover page (first page)

Assembly page 1/24



Fax +1 305 430 9692

Copies of the I/B. Please reproduce them without any changes except under special instruction from Team International USA. The pages must be reproduced and folded in order to obtain a booklet A5 (+/- 148.5 mm width x 210 mm height). When folding, make sure you keep the good numbering when you turn the pages of the I/B. Don't change the page numbering. Keep the language integrity. **Print only what is inside the frame.**



EN OPERATING INSTRUCTIONS

When using electrical appliances, basic safety precautions should always be followed, including the following:

IMPORTANT SAFEGUARDS

Please read these instructions carefully before using the appliance.

Important: *People (including children) who are not able to use the appliance in a safe way, due to their physical, or mental capacity or their lack of experience or knowledge, must never use the appliance except if they are supervised by a person responsible for their safety or if they previously received instructions concerning the safe use of the appliance. Close supervision is necessary to prevent children from using the appliance as a toy.*

- Never leave the appliance unsupervised when in use.
- From time to time check the appliance for damages. Never use the appliance if it shows any signs of damage. All repairs should be made by a qualified electrician.
- Only use the appliance for domestic purposes and in the way indicated in these instructions.
- Never immerse the appliance in water or any other liquid for any reason whatsoever.
- If the batteries leak, remove them, clean the contacts of the appliance and wash your hands.
- If you do not use the appliance for a long time, remove the batteries so that they do not leak.
- Only replace the rechargeable batteries with rechargeable batteries of the same type and rating (Ni-Mh type, AAA size, 650mA).
- Do not mix old and new rechargeable batteries.
- NEVER replace the rechargeable batteries with non-rechargeable batteries, as the appliance could catch fire.

SAVE THESE INSTRUCTIONS HOUSEHOLD USE ONLY

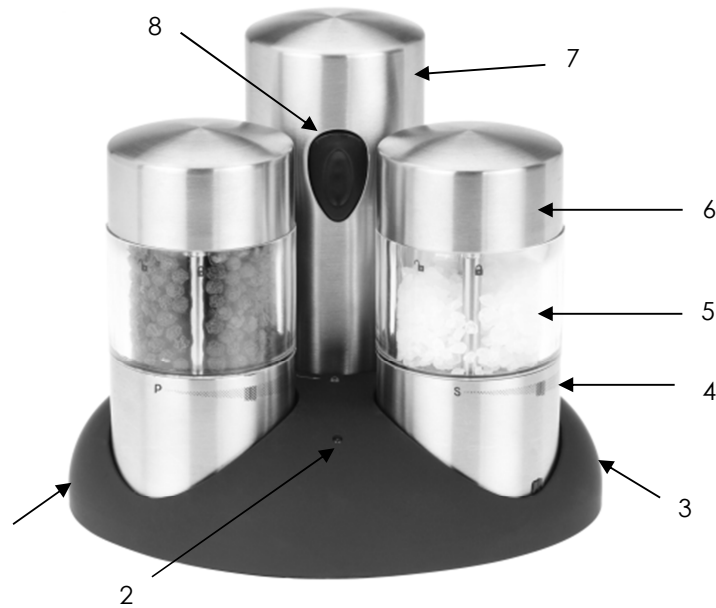


Fax +1 305 430 9692

Copies of the I/B. Please reproduce them without any changes except under special instruction from Team International USA. The pages must be reproduced and folded in order to obtain a booklet A5 (+/- 148.5 mm width x 210 mm height). When folding, make sure you keep the good numbering when you turn the pages of the I/B. Don't change the page numbering. Keep the language integrity. **Print only what is inside the frame.**



PARTS



- | | |
|---------------------------------|-------------------------------------|
| 1. Charging base | 5. Transparent spice container |
| 2. Pilot light | 6. Container lid in stainless steel |
| 3. Adapter socket on base | 7. Motor block |
| 4. Coarseness adjustment collar | 8. Grind switch |

BEFORE USE

- This appliance runs on a battery pack of 6 x AAA type rechargeable batteries. The batteries are pre-installed in the motor housing.
- If the original batteries need to be replaced later, open the batteries housing by sliding the 2 white tabs at the bottom of the motor housing towards the center. Slide the motor block out to access the battery cavities.
- Do not replace the rechargeable batteries with non-rechargeable ones, as these could catch fire.
- If the rechargeable batteries need replacing, only do with a rechargeable battery pack of the same type and specifications (Ni-Mh type, AAA size, 650mA). Do not mix old and new rechargeable batteries. Do not mix rechargeable batteries of different types.



Fax +1 305 430 9692

Copies of the I/B. Please reproduce them without any changes except under special instruction from Team International USA. The pages must be reproduced and folded in order to obtain a booklet A5 (+/- 148.5 mm width x 210 mm height). When folding, make sure you keep the good numbering when you turn the pages of the I/B. Don't change the page numbering. Keep the language integrity. **Print only what is inside the frame.**



To fill in pepper or salt:

- Locate the S and P mark on each container. They indicate which mill is intended for which content (S is for Salt, and P is for Pepper).
- Simply lift off the stainless steel lid (6) of each container (5) and fill them with coarse sea salt, peppercorns of other spices suitable to be ground.
- Put the lid back in place to keep the content fresh and dry, until ready to grind.
- Do not fill the containers completely, for best performance.
- Using a dry cloth, clean the electric contacts on the top of the containers and at the bottom of the motor block, for best performance.

Note: avoid filling the containers with berries type peppercorns like pink or Sichuan pepper, or wet sea salt, flower of salt, etc. as they have a tendency to clog the mill.

CHARGING

- Remove the grinder and components from the packaging.
- Plug the charger cord into the charging base socket (3), and plug the adapter supplied into the wall socket.
- With the socket for the adapter (3) at the right back side, and the grind switch (8) on the motor block (7) positioned towards the front, place the motor block in the center hole in the base (1), align the arrow on the motor block with the marker and **turn the motor block counter-clockwise**, until it locks in place and a red pilot light (2) on the base lights up.
- Charging will take approx. 15 hours for the first time.

Please note: the adapter may become slightly hot when charging is completed. This is normal.

Note: the motor block (7) can only charge if no spice container (5) is attached to it.



Fax +1 305 430 9692

Copies of the I/B. Please reproduce them without any changes except under special instruction from Team International USA. The pages must be reproduced and folded in order to obtain a booklet A5 (+/- 148.5 mm width x 210 mm height). When folding, make sure you keep the good numbering when you turn the pages of the I/B. Don't change the page numbering. Keep the language integrity. **Print only what is inside the frame.**



SPICE CONTAINERS

- Before seasoning your meals, you can adjust the fineness of the ground salt / peppercorns or spices, by turning the adjustment collar (4) on the base of each container.
- To do so, turn the collar clockwise for a coarser grind and counterclockwise for a finer grind.
- The coarseness adjustment can be done through 5 positions, each marked with a distinct click sound. You can also select intermediate grinding positions in addition to the marked positions.
- Do not force the collar beyond the normal "Stop" setting.

Note: you can also use the spice containers to grind, manually, without the motor block. Just keep the lid on and turn the lid clockwise to grind (in this case the LED light will not light up)

ATTACHING THE SPICE CONTAINERS

- Remove the motor block from the charging base by turning it clockwise and lifting it.
- Remove the lid of the container that you want to use.
- Align the arrow on the motor block with the "Unlock" symbol on the container.
- Lock in place by turning the motor block counter clockwise, until the arrow reaches the "Lock" symbol.
- Grind the desired quantity of spice.
- Proceed reversely to remove the spice container in place.

USE

- With a spice container (5) attached to the motor block (7), hold the appliance above the meal to season.
- Press on the grind switch (8).
- A LED light underneath each mill enables you to see how much you are grinding, for a more precise seasoning.
- Interchange the spice containers at will, season to taste.

MAINTENANCE AND CLEANING

- Unplug the adapter before any routine maintenance or cleaning.
- Disassemble the different parts of the appliance (motor block, containers and lids) and clean them separately with a damp cloth.



Fax +1 305 430 9692

Copies of the I/B. Please reproduce them without any changes except under special instruction from Team International USA. The pages must be reproduced and folded in order to obtain a booklet A5 (+/- 148.5 mm width x 210 mm height). When folding, make sure you keep the good numbering when you turn the pages of the I/B. Don't change the page numbering. Keep the language integrity. **Print only what is inside the frame.**



- Do not immerse the motor block or base in water or any liquid or put it in a dishwasher.
- Do not use with wet hands.
- Do not use cleaning products or detergents.
- Only use with the adapter supplied or of the same type (Input: AC 110V 60Hz, Output: DC 9V 300mA)


TROUBLESHOOTING

- If the mill does not grind, or if no motor noise can be heard, please check that the batteries are not discharged. Recharge if necessary.
- If batteries cannot be recharged, replace by new rechargeable batteries (see: **BEFORE USE**).
- If the light is faulty, please clean the electrical contacts on the spice container and under the motor block.
- If the mill gets stuck during use (motor produces hum, but internal shaft does not turn and no pepper is ground), check the container is properly installed, then gently shake the mill or tap the mill gently on a hard surface, to remove the stuck pepper or salt.
- To remove deeply stuck peppercorn, remove the upper lid as if for re-filling the mill, turn the coarseness setting to its coarsest, and tap lightly on a hard surface until all the peppercorn is released. Re-adjust coarseness setting to the desired level once done and replace upper lid.

Note: too fine of a grind setting may not enable salt or pepper to be ground. In the case, set the grinder to a coarser setting (see above).

PROTECTION OF THE ENVIRONMENT

In order to preserve our environment and protect human health, the waste electrical and electronic equipment should be disposed of in accordance with specific rules with the implication of both suppliers

and users. For this reason, as indicated by the symbol  on the rating label or on the packaging, your appliance should not be disposed of as unsorted municipal waste. The user has the right to bring it to a municipal collection point performing waste recovery by means of reuse, recycling or use for other applications in accordance with the directive.



Fax +1 305 430 9692

Copies of the I/B. Please reproduce them without any changes except under special instruction from Team International USA. The pages must be reproduced and folded in order to obtain a booklet A5 (+/- 148.5 mm width x 210 mm height). When folding, make sure you keep the good numbering when you turn the pages of the I/B. Don't change the page numbering. Keep the language integrity. **Print only what is inside the frame.**



WARRANTY

We suggest that you complete and return the enclosed Product Registration Card promptly to facilitate verification of the date of original purchase. However, return of the Product Registration Card is not a condition of these warranties. You can also fill out this warranty card online, at the following address: www.KALORIK.com

This KALORIK product is warranted in the U.S.A. for 1 year from the date of purchase against defects in material and workmanship. This warranty is not transferable. Keep the original sales receipt. Proof of purchase is required to obtain warranty performance.

During this period, if the KALORIK product, upon inspection by KALORIK, is proven defective, it will be repaired or replaced, at Kalorik's option, without charge to the customer. If a replacement product is sent, it will carry the remaining warranty of the original product.

This warranty does not apply to any defect arising from a buyer's or user's misuse of the product, negligence, failure to follow KALORIK instructions noted in the user's manual, use on current or voltage other than that stamped on the product, wear and tear, alteration or repair not authorized by KALORIK, or use for commercial purposes. There is no warranty for glass parts, glass containers, filter basket, blades and agitators, and accessories in general. There is also no warranty for parts lost by the user.

ANY WARRANTY OF MERCHANTABILITY OR FITNESS WITH RESPECT TO THIS PRODUCT IS ALSO LIMITED TO THE ONE YEAR LIMITED WARRANTY PERIOD.

Some states do not allow limitation on how long an implied warranty lasts or do not allow the exclusion of incidental or consequential damages, so the above limitations may not apply to you. This warranty gives you specific legal rights, and you may also have other rights which vary from state to state.



Fax +1 305 430 9692

Copies of the I/B. Please reproduce them without any changes except under special instruction from Team International USA. The pages must be reproduced and folded in order to obtain a booklet A5 (+/- 148.5 mm width x 210 mm height). When folding, make sure you keep the good numbering when you turn the pages of the I/B. Don't change the page numbering. Keep the language integrity. **Print only what is inside the frame.**



If the appliance should become defective within the warranty period and more than 30 days after date of purchase, do not return the appliance to the store: often, our Customer Service Representatives can help solve the problem without having the product serviced. If servicing is needed, a Representative can confirm whether the product is under warranty and direct you to the nearest service location.

If this is the case, bring the product, or send it, postage prepaid by the user (all Kalorik customers are responsible for the initial shipment back to the warranty center), along **with proof of purchase** and a **return authorization number** indicated on the outer package, given by our Customer Service Representatives. Send to the authorized KALORIK Service Center (please visit our website at www.KALORIK.com or call our Customer Service Department for the address of our authorized KALORIK Service Center). When sending the product, please include a letter explaining the nature of the claimed defect.

If you have additional questions, please call our Customer Service Department (please see below for complete contact information), Monday through Thursday from 9:00am - 5:00pm (EST) and Friday from 9:00am - 4:00pm (EST). Please note hours are subject to change.

If you would like to write, please send your letter to:

KALORIK Customer Service Department

Team International Group of America Inc.
1400 N.W 159th Street, Suite 102
Miami Gardens, FL 33169 USA

Or call:

Toll Free: +1 888-521-TEAM / +1 888-KALORIK

Only letters can be accepted at this address above. Shipments and packages that do not have a return authorization number will be refused.



Fax +1 305 430 9692

Copies of the I/B. Please reproduce them without any changes except under special instruction from Team International USA. The pages must be reproduced and folded in order to obtain a booklet A5 (+/- 148.5 mm width x 210 mm height). When folding, make sure you keep the good numbering when you turn the pages of the I/B. Don't change the page numbering. Keep the language integrity. **Print only what is inside the frame.**



SP MANUAL DE INSTRUCCIONES

Cuando se utilizan aparatos eléctricos, hay unas precauciones básicas de seguridad que siempre se deben seguir, tales como:

CONSEJOS DE SEGURIDAD

Lea detenidamente el modo de empleo antes de utilizar el aparato.

Importante: Las personas (incluidos niños) con incapacidades físicas, sensoriales o mentales, o sin experiencia o conocimiento nunca deben utilizar el aparato, salvo si están bajo la vigilancia de una persona responsable de su seguridad o si recibieron previamente instrucciones con respecto al uso seguro del aparato.

Es necesario vigilar a los niños para que no jueguen con el aparato.

- ❑ No deje nunca su aparato sin vigilancia cuando esté en marcha.
- ❑ Compruebe de vez en cuando que el aparato no esté dañado. Nunca utilice el aparato si está dañado. Todas las reparaciones deben ser hechas por un servicio técnico cualificado recomendado por el distribuidor.
- ❑ Utilice el aparato solamente para usos domésticos y de la manera indicada en este manual de instrucciones.
- ❑ No sumerja nunca el aparato en el agua o en cualquier otro líquido por ninguna razón.
- ❑ Antes de limpiar el aparato, quite siempre las pilas.
- ❑ Si las pilas gotean, quítelas, limpie los contactos del aparato y lávese las manos.
- ❑ Si no va a utilizar el aparato durante un largo periodo de tiempo, quite las pilas para que no gotee.
- ❑ Reemplace las baterías recargables únicamente con baterías recargables del mismo tipo y clase (Ni-Mh, AA, 650mA)
- ❑ Nunca reemplace las baterías recargables con baterías no recargables ya que el aparato podría incendiarse.

GUARDE ESTAS INSTRUCCIONES SOLAMENTE PARA USO DOMESTICO

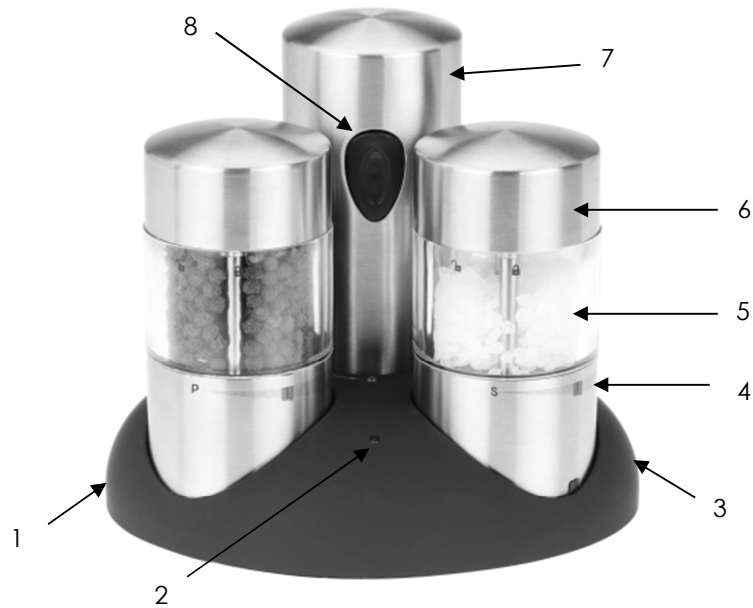


Fax +1 305 430 9692

Copies of the I/B. Please reproduce them without any changes except under special instruction from Team International USA. The pages must be reproduced and folded in order to obtain a booklet A5 (+/- 148.5 mm width x 210 mm height). When folding, make sure you keep the good numbering when you turn the pages of the I/B. Don't change the page numbering. Keep the language integrity. **Print only what is inside the frame.**



PARTES



- | | |
|--|---|
| 1. Base de carga | especias |
| 2. Testigo luminoso | 6. Tapa de recipiente de acero inoxidable |
| 3. Conector del adaptador | 7. Bloque de Motor |
| 4. Anillo para ajuste del molido (grueso/fino) | 8. Interruptor de molido |
| 5. Envase transparente de | |

ANTES DE UTILIZAR EL APARATO

- Este aparato funciona con una caja de 6 pilas recargables, tipo AAA.
- Si las baterías originales deben ser reemplazadas después, abrir la caja de baterías deslizando las 2 tapas blancas en la base del cuerpo motor hacia el centro. Deslice el cuerpo del motor para acceder a las cavidades de la batería.
- No cambie las baterías recargables por no recargables, ya que podrían incendiarse.



Fax +1 305 430 9692

Copies of the I/B. Please reproduce them without any changes except under special instruction from Team International USA. The pages must be reproduced and folded in order to obtain a booklet A5 (+/- 148.5 mm width x 210 mm height). When folding, make sure you keep the good numbering when you turn the pages of the I/B. Don't change the page numbering. Keep the language integrity. **Print only what is inside the frame.**



- Si las baterías recargables necesitan ser cambiadas, que sea únicamente con un paquete de baterías recargables del mismo tipo y especificaciones (Ni-Mh, tipo AAA, 650mA). No mezcle baterías recargables viejas y nuevas. No mezcle baterías recargables de diferentes tipos.

Para llenar de pimienta o sal

- Localizar la marca S y P en cada recipiente. Las mismas indican qué molinillo está destinado a cada contenido (S es para Sal, y P es para Pimienta).
- Basta con levantar la tapa (6) de cada recipiente (5) y llenarlos con sal marina, granos de pimienta de otros condimentos adecuados para moler.
- Ponga la tapa en su lugar para mantener el contenido fresco y seco, hasta que esté listo para moler.
- No llene los envases por completo, para un mejor funcionamiento.
- Utilizando un trapo seco, limpie los contactos eléctricos en la parte superior de los recipientes y en la parte inferior del bloque del motor para obtener un mejor funcionamiento.

Nota: evite llenar los recipientes con pimienta en grano tipo bayas, como la pimienta rosada o Sichuan, o sal de mar húmeda, harina de sal, etc, ya que podrían atascar el molinillo.

CARGA

- Retire el molinillo y sus componentes de la caja.
- Conecte el cable del cargador en la base de carga (3), y enchufe el adaptador.
- Con la toma de corriente para el adaptador (3) en la parte trasera derecha, y el interruptor de molido (8) del bloque motor (7) hacia el frente, colocar el bloque motor en el centro de la base, alinear la flecha en el bloque del motor con el marcador, y gire el bloque motor en sentido contrario a las agujas del reloj hasta que encaje en su lugar y un testigo luminoso rojo (2) se encienda.
- La primera carga durará aproximadamente 15 horas.
- Tenga en cuenta que el transformador se calentará ligeramente cuando la carga este completa. Esto es normal.

Nota: El bloque del motor (7) sólo pueden cargarse si ningún envase (5) está unido.



Fax +1 305 430 9692

Copies of the I/B. Please reproduce them without any changes except under special instruction from Team International USA. The pages must be reproduced and folded in order to obtain a booklet A5 (+/- 148.5 mm width x 210 mm height). When folding, make sure you keep the good numbering when you turn the pages of the I/B. Don't change the page numbering. Keep the language integrity. **Print only what is inside the frame.**



ENVASES DE ESPECIAS

- Antes de sazonar sus preparaciones, puede ajustar el tamaño de la sal, de la pimienta o de las especias girando el anillo que está en la base de cada envase.
- Por ello, gire el anillo en el sentido de las agujas del reloj para granos más gruesos o en el sentido contrario para granos más finos.
- El ajuste grosor puede hacerse a través de 5 posiciones, cada una de ellas marcada con un sonido de clic diferente. Usted puede seleccionar también posiciones de molido intermedias además de las posiciones marcadas.
- No forzar el anillo más allá de la posición normal "Detener".

Nota: también puede usar los envases para moler manualmente las especias sin el bloque motor. Sujete de la tapa y gire hacia la derecha (en este caso, la luz LED no se enciende).

COLOCACIÓN DE LOS ENVASES

- Remover el blique de motor de la base de cambio haciéndolo girar en el sentido de las agujas del reloj y levantándolo.
- Retire la tapa del envase que desee utilizar.
- Alinear la flecha del bloque motor con el símbolo "desbloqueo" en el envase.
- Cierre girando el bloque motor hacia la derecha hasta que la flecha llegue al símbolo de "bloqueo".
- Muela la cantidad deseada de especias.
- Proceder en orden inverso para retirar el envase de su lugar.

USO

- Con un envase unido al bloque motor, mantenga el aparato sobre la comida que quiera condimentar.
- Pulse el interruptor de moler.
- La luz LED bajo cada molinillo le permite ver la cantidad que esta moliendo, para un condimento más preciso.
- Intercambie los envases a voluntad, y sazone al gusto.



Fax +1 305 430 9692

Copies of the I/B. Please reproduce them without any changes except under special instruction from Team International USA. The pages must be reproduced and folded in order to obtain a booklet A5 (+/- 148.5 mm width x 210 mm height). When folding, make sure you keep the good numbering when you turn the pages of the I/B. Don't change the page numbering. Keep the language integrity. **Print only what is inside the frame.**



MANTENIMIENTO Y LIMPIEZA

- Desenchufe el adaptador antes de cualquier mantenimiento de rutina y/o limpieza.
- Desmonte las diferentes partes del aparato (cuerpo, envases, tapas) y límpielas de manera separada con un pañuelo húmedo.
- No sumerja el bloque motor o base en agua u otro líquido, ni lo ponga en el lavavajillas.
- No lo use con las manos mojadas.
- No utilice productos de limpieza o detergentes.
- Utilice con adaptador AC 110V 60Hz / DC 9V 300mA

SOLUCIÓN DE PROBLEMAS

- Si el molinillo no muele, o si no oye el ruido del motor, compruebe que las pilas estén instaladas correctamente y no estén gastadas. Recargar si es necesario.
- Si las baterías no pueden ser recargadas, reemplácelas por baterías recargables (ver: **ANTES DE USAR**).
- Si la luz no es defectuosa, por favor limpie los contactos eléctricos en el recipiente de especias y debajo del bloque de motor.
- Si el molinillo se atasca durante el uso (se oye el zumbido del motor, pero el eje interior no gira y no se muele la pimienta), agítelo suavemente o dé un ligero golpe sobre el molinillo sobre una superficie dura, para quitar el grano de pimienta o sal atascado.
- Para eliminar los granos de pimienta profundamente atascados, retire la tapa superior como si fuera a rellenar de nuevo el molinillo, gire a la configuración más gruesa del molido de los granos, remueva o saque la pimienta, y si no sale golpee ligeramente sobre una superficie dura hasta que salga. Vuelva a ajustar el granulado deseado y cierre la tapa.

Nota: una posición de molido demasiado fina puede impedir que la pimienta o la sal sea molida. En este caso use una posición de molido menos fino.




Fax +1 305 430 9692

Copies of the I/B. Please reproduce them without any changes except under special instruction from Team International USA. The pages must be reproduced and folded in order to obtain a booklet A5 (+/- 148.5 mm width x 210 mm height). When folding, make sure you keep the good numbering when you turn the pages of the I/B. Don't change the page numbering. Keep the language integrity. **Print only what is inside the frame.**



PROTECCIÓN DEL MEDIO AMBIENTE

Para poder preservar nuestro medio ambiente y proteger la salud humana, los residuos eléctricos y equipos electrónicos deberían ser destruidos de acuerdo con unas normas específicas con la implicación de ambos proveedores y

consumidores. Por esta razón, como indica el símbolo  en la placa de datos técnicos, su aparato no debería ser tirado en un contenedor municipal sino que debería ser devuelto a la tienda, o dejado en un punto de recolección para ser reciclado o usado para otras aplicaciones conforme a la directiva.



Fax +1 305 430 9692

Copies of the I/B. Please reproduce them without any changes except under special instruction from Team International USA. The pages must be reproduced and folded in order to obtain a booklet A5 (+/- 148.5 mm width x 210 mm height). When folding, make sure you keep the good numbering when you turn the pages of the I/B. Don't change the page numbering. Keep the language integrity. **Print only what is inside the frame.**



GARANTÍA

Le sugerimos rellenen y nos envíen rápidamente la Tarjeta de Registro de Producto adjunta para facilitar la verificación de la fecha de compra. Por lo tanto, la devolución de esa Tarjeta de Registro de Producto no es una condición imprescindible para la aplicación de esa garantía. Puede también rellenar dicha tarjeta de garantía en línea en la dirección siguiente: www.KALORIK.com

A partir de la fecha de compra, este producto KALORIK está garantizado un año contra los defectos materiales y de fabricación, en los Estados Unidos. Esta garantía no es transferible. Conserve la prueba de compra original. Se exige una prueba de compra para obtener la aplicación de la garantía.

Durante este período, si el producto KALORIK después de una inspección por parte de KALORIK, se manifiesta defectuoso, será reparado o reemplazado, según lo que decida KALORIK, sin gastos para el consumidor. Si se envía un producto de reemplazo, se aplicará la garantía que queda del producto original.

Esta garantía no se aplica a los defectos causados por una mala utilización por parte del comprador o del usuario, o una negligencia al no respeto del manual de instrucciones KALORIK, o una utilización en un circuito eléctrico cuyo voltaje es diferente al que figura en el producto, o un desgaste normal, o modificaciones o reparaciones no autorizadas por KALORIK, o por un uso con fines comerciales. No existe garantía por las partes de cristal, jarras de cristal, filtros, cestos, cuchillas y accesorios en general. No existe tampoco garantía por las piezas perdidas por el usuario.

Toda garantía de valor comercial o de adaptabilidad a este producto está limitada a un año también.

Algunos estados no ponen límites a la duración de la garantía tácita o no autorizan la exclusión de daños y perjuicios accesorios o indirectos, por lo que puede que las restricciones anteriormente mencionadas no le sean aplicables a Usted. Esta garantía le otorga derechos legales particulares, pero usted puede tener también otros



Fax +1 305 430 9692

Copies of the I/B. Please reproduce them without any changes except under special instruction from Team International USA. The pages must be reproduced and folded in order to obtain a booklet A5 (+/- 148.5 mm width x 210 mm height). When folding, make sure you keep the good numbering when you turn the pages of the I/B. Don't change the page numbering. Keep the language integrity. **Print only what is inside the frame.**



derechos que varían de un estado a otro y algunos derechos pueden variar de un estado a otro.

Si el aparato tuviera un defecto durante el periodo de garantía y / o más de 30 días después de que se compró, no devuelva el aparato en la tienda donde le compró: a menudo, nuestro Servicio al Consumidor puede ayudar a resolver el problema sin que el producto tenga que ser reparado. Si hace falta una reparación, uno de nuestros representantes puede confirmar si el producto está bajo garantía y dirigirle al servicio post-venta más próximo.

Si fuera el caso, traiga el producto (o envíelo, correctamente franqueado) con la **prueba de compra** que mencione **el número de autorización de devolución** indicado por nuestro Servicio al Consumidor, al servicio post-venta KALORIK más próximo. (Visite nuestra web www.KALORIK.com o llame al Servicio al Consumidor para obtener la dirección del Servicio post-venta KALORIK exclusivo más próximo).

Si envía el producto, le rogamos añadan una carta explicando la naturaleza del defecto.

Si tiene preguntas adicionales, por favor llame al Servicio al Consumidor (véase abajo para los datos completos), de lunes a jueves, de las 9:00 a las 17:00 (EST), y el viernes de las 9:00 a las 16:00 (EST). Note que las horas pueden ser modificadas.

Si quiere escribirnos, puede hacerlo a la dirección siguiente:

KALORIK Servicio al Consumidor

Team International Group of America Inc.
1400 N.W 159th Street, Suite 102
Miami Gardens, FL 33169 USA

O llame gratuitamente (U.S.A.) al +1 888-521-TEAM / +1 888-KALORIK

Las cartas se aceptan solamente en la dirección anteriormente mencionada. Los envíos y paquetes que no tengan número de autorización de devolución serán rechazados.



Fax +1 305 430 9692

Copies of the I/B. Please reproduce them without any changes except under special instruction from Team International USA. The pages must be reproduced and folded in order to obtain a booklet A5 (+/- 148.5 mm width x 210 mm height). When folding, make sure you keep the good numbering when you turn the pages of the I/B. Don't change the page numbering. Keep the language integrity. **Print only what is inside the frame.**



(FR) MODE D'EMPLOI

CONSIGNES DE SECURITE

Pour utiliser des appareils électriques, des précautions de sécurité basiques doivent être suivies, telles que :

Lisez attentivement cette notice avant toute utilisation.

Important : *Votre appareil n'est pas prévu pour être utilisé par des personnes (y compris les enfants) dont les capacités physiques, sensorielles ou mentales sont réduites, ou des personnes dénuées d'expérience ou de connaissance, sauf si elles ont pu bénéficier, par l'intermédiaire d'une personne responsable de leur sécurité, d'une surveillance ou d'instructions préalables concernant son utilisation en toute sécurité.*

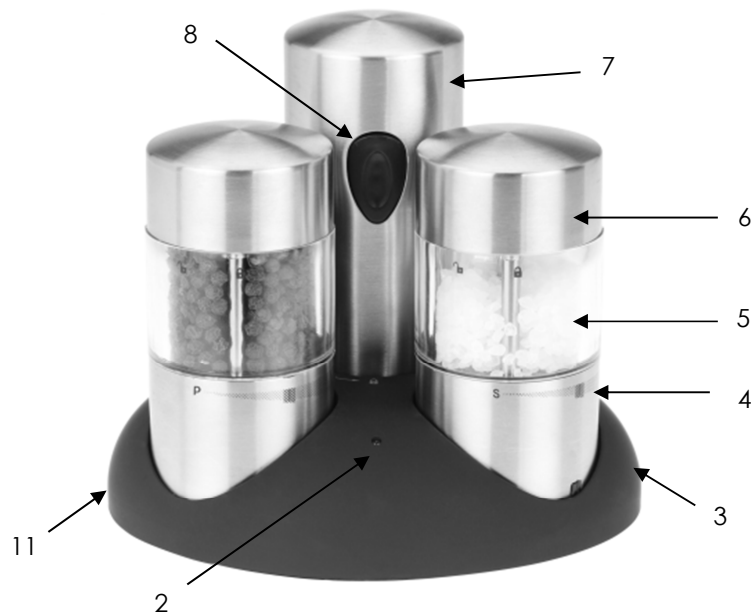
Il convient de surveiller les enfants pour s'assurer qu'ils ne jouent pas avec l'appareil.

- ❑ Ne laissez jamais votre appareil sans surveillance lorsque celui-ci est en fonctionnement.
- ❑ Vérifiez régulièrement l'état de votre appareil et s'il est endommagé de quelque façon que ce soit, faites le vérifier et réparer par un service qualifié.
- ❑ Utilisez l'appareil uniquement pour des usages domestiques et de la manière indiquée dans la notice.
- ❑ Ne plongez jamais l'appareil dans l'eau ou dans tout autre liquide ni pour son nettoyage ni pour toute autre raison.
- ❑ Si les batteries fuient, retirez-les, nettoyez les contacts de votre appareil puis lavez-vous les mains.
- ❑ En cas d'arrêt prolongé, retirez les batteries pour éviter qu'elles ne fuient.
- ❑ Ne remplacez les batteries rechargeables que par des batteries du même type et de mêmes spécifications (type Ni-Mh, format AA 650mA).
- ❑ Ne mélangez pas des batteries rechargeables neuves et usagées.
- ❑ Ne remplacez jamais les batteries rechargeables par des batteries de type non-rechargeable, car l'appareil pourrait prendre feu.

CONSERVEZ CES INSTRUCTIONS USAGE DOMESTIQUE UNIQUEMENT



DESCRIPTION



- | | |
|--|---------------------------------|
| 1. Base de recharge | 5. Boite à épice transparente |
| 2. Lampe témoin | 6. Couvercle fraîcheur en acier |
| 3. Connecteur pour la base | 7. Bloc moteur |
| 4. Collier de réglage de la finesse de mouture | 8. Bouton pour moudre |

AVANT L'EMPLOI

- Cet appareil fonctionne avec un pack de batteries composé de 6 piles rechargeables de type AAA. Les batteries rechargeables sont préinstallées dans le bloc moteur.
- Si les batteries doivent être remplacées plus tard, ouvrez le boîtier en faisant glisser les deux tirettes blanches au bas du bloc moteur vers le centre. Retirez ensuite le boîtier pour accéder à l'emplacement des batteries.
- Ne remplacez pas les batteries rechargeables par des batteries non rechargeables, car celles-ci pourraient prendre feu.



Fax +1 305 430 9692

Copies of the I/B. Please reproduce them without any changes except under special instruction from Team International USA. The pages must be reproduced and folded in order to obtain a booklet A5 (+/- 148.5 mm width x 210 mm height). When folding, make sure you keep the good numbering when you turn the pages of the I/B. Don't change the page numbering. Keep the language integrity. **Print only what is inside the frame.**



- Si les batteries rechargeables doivent être remplacées, ne les remplacez que par des batteries du même type et de mêmes spécifications (type Ni-Mh, format AAA, 650mA). Ne mélangez pas des batteries rechargeables neuves et usagées. Ne mélangez pas des batteries de sortes différentes.

Pour remplir les boîtes à épices :

- Repérez les marques « S » et « P » sur chaque boîte à épices. Elles indiquent quel moulin est prévu pour quel contenant (« S » pour Sel, et « P » pour Poivre)
- Retirez tout simplement le couvercle (6) de chaque boîte (5) et remplissez les avec du gros sel, du poivre en grain ou d'autres épices pouvant être moulues dans un moulin.
- Remettez les couvercles en place pour garder le contenu des boîtes au sec et préserver la fraîcheur des épices. Les épices sont ainsi toujours prêtes à être moulues.
- Pour une meilleure performance, ne remplissez pas les boîtes à ras-bord.
- Avec un chiffon sec, nettoyez régulièrement les contacts électriques situés sur le dessus des boîtes à épices (5), et sur le dessous du bloc moteur (7).

Note : évitez de remplir les boîtes à épices avec des baies roses, du poivre de Sichuan, ou du sel encore humide, de la fleur de sel, etc. car ils ont tendance à engorger le moulin.

MISE EN RECHARGE

- Retirez le moulin et toutes les pièces de leur emballage.
- Connectez la fiche de l'adaptateur sur la base (3), puis branchez l'adaptateur sur une prise de courant.
- Avec la fiche sur la base (3) orientée sur votre droite, et le bouton de mouture (8) sur le bloc-moteur (7) étant face à vous, placez le bloc moteur au centre de la base de recharge (1) et donnez au boîtier un mouvement de rotation dans le sens contraire des aiguilles d'une montre, jusqu'à ce qu'il soit verrouillé en place et que le voyant lumineux sur la base (2) s'allume.
- La première charge va durer environ 15 heures.

Note : l'adaptateur peut devenir un peu chaud une fois la pleine charge atteinte. Ceci est normal.



Fax +1 305 430 9692

Copies of the I/B. Please reproduce them without any changes except under special instruction from Team International USA. The pages must be reproduced and folded in order to obtain a booklet A5 (+/- 148.5 mm width x 210 mm height). When folding, make sure you keep the good numbering when you turn the pages of the I/B. Don't change the page numbering. Keep the language integrity. **Print only what is inside the frame.**



Note : le bloc moteur (7) ne peut être rechargé que si aucune boîte à épice (5) n'y est attachée.

LES BOITES A EPICES

- Avant d'assaisonner vos plats, vous pouvez régler la finesse de la mouture, en tournant le collier située à la base de chaque boîte à épices.
- Pour ce faire, tournez dans le sens des aiguilles d'une montre pour une mouture plus grossière, ou dans le sens inverse pour un réglage plus fin.
- Le réglage de la mouture est indiqué par 5 positions, qui sont marquées par un clic. Vous pouvez aussi sélectionner des positions intermédiaires. En plus de celles indiquées par une barre sur le collier de réglage.
- Ne forcez pas le collier au-delà de la position en butée.

Note : vous pouvez aussi utiliser les moulins intégrés dans chaque boîte manuellement, sans utiliser le bloc moteur. Laissez simplement le couvercle en place et tournez-le dans le sens des aiguilles d'une montre pour moulin (dans ce cas, la lampe intégrée au moulin ne fonctionnera pas)

MISE EN PLACE DES BOITES A EPICES

- Retirez le bloc moteur en le tournant dans le sens des aiguilles d'une montre et en le soulevant hors de la base.
- Retirez le couvercle de la boîte à épices que vous désirez utiliser.
- Alignez la flèche sur le boîtier en acier du bloc moteur avec le signe « Déverrouillé » sur la boîte.
- Verrouillez la boîte en tournant le bloc moteur dans le sens inverse des aiguilles d'une montre, de façon à ce que la flèche corresponde avec le symbole « Verrouillé ».
- Vous pouvez alors commencer à moulin.
- Procédez de la façon inverse pour retirer la boîte à épice.



Fax +1 305 430 9692

Copies of the I/B. Please reproduce them without any changes except under special instruction from Team International USA. The pages must be reproduced and folded in order to obtain a booklet A5 (+/- 148.5 mm width x 210 mm height). When folding, make sure you keep the good numbering when you turn the pages of the I/B. Don't change the page numbering. Keep the language integrity. **Print only what is inside the frame.**



USAGE

- Une fois qu'une boîte à épices (5) est connectée au boîtier (7), tenez-le au-dessus du plat à assaisonner.
- Appuyez sur le bouton de mouture (8)
- Une diode lumineuse située sous chaque moulin s'allume, vous permettant de voir précisément la quantité de poivre, sel ou épice que vous êtes en train de moulin.
- Inter-changez les boîtes à épices à volonté et selon vos besoins.

ENTRETIEN ET NETTOYAGE

- Démontez les différentes parties de l'appareil et nettoyez-les séparément, à l'aide d'un chiffon humide.
- N'immergez jamais la base, les containers à épices ou le bloc moteur dans de l'eau ou tout autre liquide, et ne les mettez pas au lave-vaisselle.
- Ne pas utiliser avec des mains mouillées.
- Ne pas utiliser de détergents ou produits de nettoyage sur cet appareil.
- N'utilisez qu'avec l'adaptateur fourni, ou alors un adaptateur avec les mêmes spécifications (Entrée : AC 110V 60 Hz ; Sortie : DC 9V 300mA)

EN CAS DE NON FONCTIONNEMENT

- Si le moulin ne fonctionne pas, la cause la plus probable est que les piles sont déchargées. Vérifiez et rechargez si nécessaire.
- Si les batteries ne rechargent pas, remplacez les par de nouvelles batteries rechargeables (voir : **AVANT L'EMPLOI**).
- Si la lampe ne fonctionne pas, nettoyez les contacts électriques situés sur le dessus des boîtes à épices, et sur le dessous du bloc moteur.
- Si le moulin se bloque pendant l'usage (le moteur se fait entendre, mais le moulin ne tourne pas), secouez-le et tapez-le doucement sur une surface dure, pour déloger le grain de poivre qui peut se retrouver bloqué dans l'appareil.
- Pour retirer un grain de poivre complètement bloqué, retirez le couvercle comme pour remplir le moulin, et tournez le collier comme pour obtenir la mouture la plus grossière, puis tapez la boîte doucement sur une surface dure pour déloger les grains de poivre



Fax +1 305 430 9692

Copies of the I/B. Please reproduce them without any changes except under special instruction from Team International USA. The pages must be reproduced and folded in order to obtain a booklet A5 (+/- 148.5 mm width x 210 mm height). When folding, make sure you keep the good numbering when you turn the pages of the I/B. Don't change the page numbering. Keep the language integrity. **Print only what is inside the frame.**




coincés. Une fois fait, remettez le couvercle en place et réglez la mouture.

Note : un réglage de mouture trop fine peut ne pas permettre au sel ou au poivre d'être moulu. Si c'est le cas, choisissez un niveau de mouture moins fine.

PROTECTION DE L'ENVIRONNEMENT

Afin de préserver notre environnement et notre santé, l'élimination en fin de vie des appareils électriques et électroniques doit se faire selon des règles bien précises et nécessite l'implication de chacun, qu'il soit fournisseur ou utilisateur. C'est pour cette raison que votre appareil, tel



que le signale le symbole  apposé sur sa plaque signalétique ou sur l'emballage, ne doit en aucun cas être jeté dans une poubelle publique ou privée destinée aux ordures ménagères. L'utilisateur a le droit de déposer l'appareil dans des lieux publics de collecte procédant à un tri sélectif des déchets pour être soit recyclé, soit réutilisé pour d'autres applications conformément à la directive en vigueur.



Fax +1 305 430 9692

Copies of the I/B. Please reproduce them without any changes except under special instruction from Team International USA. The pages must be reproduced and folded in order to obtain a booklet A5 (+/- 148.5 mm width x 210 mm height). When folding, make sure you keep the good numbering when you turn the pages of the I/B. Don't change the page numbering. Keep the language integrity. **Print only what is inside the frame.**



GARANTIE

Nous vous suggérons de remplir et de nous renvoyer rapidement la Carte d'Enregistrement Produit ci-jointe afin de faciliter la vérification de la date d'achat. Cependant, le renvoi de la Carte d'Enregistrement Produit n'est pas une condition indispensable à l'application de la présente garantie. Vous pouvez aussi remplir cette carte de garantie en ligne à l'adresse suivante : **www.KALORIK.com**.

A compter de la date d'achat, ce produit KALORIK est garanti un an, sur le territoire des Etats-Unis, contre les défauts matériels et de fabrication. Cette garantie n'est pas transférable. Conservez la preuve d'achat originelle. Une preuve d'achat est exigée pour obtenir l'application de la garantie.

Durant cette période, le produit KALORIK qui, après inspection par KALORIK, s'avère défectueux, sera réparé ou remplacé, au choix de KALORIK, sans frais pour le consommateur. Si un produit de remplacement est envoyé, c'est la garantie restante du produit original qui s'appliquera.

La présente garantie ne s'applique pas aux défauts dus à une mauvaise utilisation de la part de l'acheteur ou de l'utilisateur, à une négligence, au non-respect des consignes du manuel d'utilisation KALORIK, à une utilisation sur un circuit électrique au voltage différent de celui renseigné sur le produit, à une usure normale, à des modifications ou réparations non autorisées par KALORIK, ou par un usage à des fins commerciales. Il n'existe pas de garantie pour les parties en verre, récipients en verre, filtres, paniers, lames et accessoires en général. Il n'existe également pas de garantie pour les pièces perdues par l'utilisateur.

Toute garantie de valeur commerciale ou d'adaptabilité à ce produit est également limitée à la garantie d'un an.

Certains états ne limitent pas la longueur de la garantie tacite ou n'autorisent pas l'exclusion de dommages-intérêts accessoires ou indirects, les restrictions ci-dessus peuvent donc ne pas s'appliquer à



Fax +1 305 430 9692

Copies of the I/B. Please reproduce them without any changes except under special instruction from Team International USA. The pages must be reproduced and folded in order to obtain a booklet A5 (+/- 148.5 mm width x 210 mm height). When folding, make sure you keep the good numbering when you turn the pages of the I/B. Don't change the page numbering. Keep the language integrity. **Print only what is inside the frame.**



vous. Cette garantie vous donne des droits légaux particuliers, et certains droits peuvent varier d'un état à l'autre.

Si l'appareil devait présenter un défaut durant la période de garantie et plus de 30 jours après l'achat, ne ramenez pas l'appareil au magasin : souvent, notre Service Clientèle peut aider à résoudre le problème sans que le produit ne doive être réparé. Si une réparation est nécessaire, un représentant peut confirmer si le produit est sous garantie et vous rediriger vers notre centre de réparation.

Le cas échéant, ramenez le produit (ou envoyez-le, dûment affranchi), ainsi qu'**une preuve d'achat**, en mentionnant **le numéro d'autorisation de retour**, indiqué par notre service clientèle, au service après-vente KALORIK agréé (visitez notre site internet **www.KALORIK.com** ou appelez notre département Service Clientèle pour obtenir l'adresse du service après-vente KALORIK agréé).

Si vous envoyez le produit, veuillez y joindre une lettre expliquant la nature du défaut.

Si vous avez des questions complémentaires, veuillez appeler notre département Service Clientèle (voyez plus bas pour les coordonnées complètes), du Lundi au Jeudi de 9h à 17h (EST) et le Vendredi de 9h à 16h (EST). Veuillez noter que les heures sont sujettes à modification.

Si vous souhaitez nous écrire, adressez votre courrier à:

KALORIK Customer Service Department

Team International Group of America Inc.
1400 N.W 159th Street, Suite 102
Miami Gardens, FL 33169 USA

Ou appelez (Gratuitement des Etats-Unis): +1 888-521-TEAM ou +1 888-KALORIK.

Seules les lettres seront acceptées à l'adresse ci-dessus. Les envois et colis n'ayant pas de numéro d'autorisation de retour seront refusés.

PPG 40738 - 120501

Free Manuals Download Website

<http://myh66.com>

<http://usermanuals.us>

<http://www.somanuals.com>

<http://www.4manuals.cc>

<http://www.manual-lib.com>

<http://www.404manual.com>

<http://www.luxmanual.com>

<http://aubethermostatmanual.com>

Golf course search by state

<http://golfingnear.com>

Email search by domain

<http://emailbydomain.com>

Auto manuals search

<http://auto.somanuals.com>

TV manuals search

<http://tv.somanuals.com>