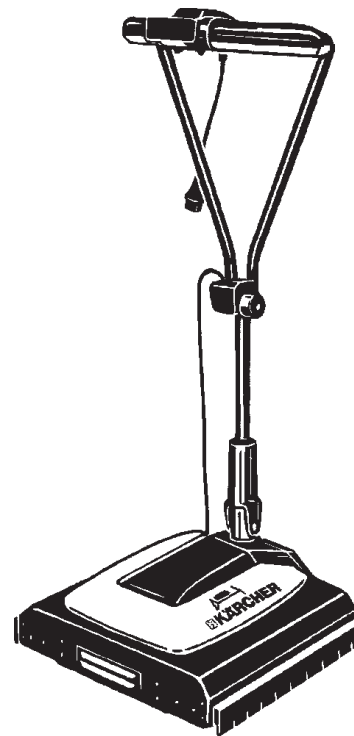


## BR VS 400 \*USA



1.139 - 108  
1.139 - 308



<b>Operating Instructions</b>	<b>3</b>
Spare Parts List	21

---

<b>Notice d'instructions</b>	<b>12</b>
Liste des pièces de rechange	21

---

CONTENTS	
<b>Important Information</b>	<b>4</b>
<b>Important Safety Instructions</b>	<b>4</b>
<b>GROUNDING INSTRUCTIONS</b>	<b>4</b>
<b>Connect to a properly grounded outlet only</b>	<b>4</b>
<b>Intended use</b>	<b>4</b>
<b>Operating description of the floor cleaner</b>	<b>5</b>
<b>Device elements</b>	<b>5</b>
<b>Assembly for the first time</b>	<b>5</b>
Installing the pushing handle	5
Installing the rotary brushes	5
Install the tank	6
<b>Operation</b>	<b>6</b>
Filling the tank	6
Fitting the plug	6
Set the splash guard	6
Turning the pushing handle	6
Releasing/locking the pushing handle	7
Starting/stopping the rotary brushes	7
Measuring out the cleaning agent	7
Steering the cleaner	7
Changing the rotary brushes	7
<b>Each time before operation</b>	<b>8</b>
<b>Operation</b>	<b>8</b>
Working in a lateral direction	8
Working in lanes	8
Switching off the cleaner	8
<b>Application instructions</b>	<b>9</b>
Application instructions	9
Scrubbing	9
Polishing	9
<b>Each time after usage</b>	<b>9</b>
Pull out the plug	9
Emptying the tank	9
Switching off the cleaner	9
Dismantle the roller brushes	9
<b>Transport</b>	<b>10</b>
<b>Cleaning and care</b>	<b>10</b>
<b>Protection from freezing</b>	<b>10</b>
<b>Recommmended cleaning agents</b>	<b>11</b>
<b>Accessories</b>	<b>10</b>
<b>Fault tracing instructions</b>	<b>11</b>
<b>Technical data</b>	<b>11</b>

**IMPORTANT INFORMATION****Please comply with the following points before starting:**

- \* Should you discover anything please notify your Kärcher sales at 888-253-2648.
- \* The voltage listed on the rating plate must correspond to the supply voltage.

**Note:**

To comply with the National Electrical Code (NFPA 70), and to provide additional protection from the risk of electric shock, this BR 400 should only be connected to the receptacle that is protected by a ground fault circuit interrupter (GFCI).

**IMPORTANT SAFETY INSTRUCTIONS****READ ALL INSTRUCTIONS BEFORE USING.****WARNING**

To reduce the risk of fire, electric shock, or injury:

1. Do not leave appliance when plugged in. Unplug from outlet when not in use and before servicing.

**WARNING**

2. TO REDUCE THE RISK OF ELECTRIC SHOCK-USE INDOORS ONLY
3. Do not allow to be used as a toy. Close attention is necessary when used by or near children.
4. Use only as described in this manual. Use only manufacturer's recommended attachments.

5. Do not use with damaged cord or plug. If appliance is not working as it should, has been dropped, damaged, left outdoors, or dropped into water, return it to a service center.
6. Do not pull or carry by cord, use cord as a handle, close a door on cord, or pull cord around sharp edges or corners. Do not run appliance over cord. Keep cord away from heated surfaces.
7. Do not unplug by pulling on cord. To unplug, grasp the plug, not the cord.
8. Do not handle plug or appliance with wet hands.
9. Do not put any object into openings. Do not use with any opening blocked; keep free of dust, lint, hair, and anything that may reduce air flow.
10. Keep hair, loose clothing, fingers, and all parts of body away from openings and moving parts.
11. Turn off all controls before unplugging.
12. Use extra care when cleaning on stairs.
13. Do not use to pick up flammable or combustible liquids, such as gasoline, or use in areas where they may be present.
14. Connect to a properly grounded outlet only. See Grounding Instruction.

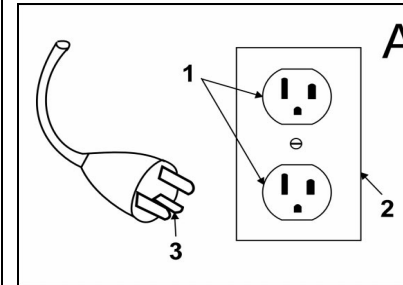
**SAVE THESE INSTRUCTIONS****GROUNDING INSTRUCTIONS**

This appliance must be grounded. If it should malfunction or breakdown, grounding provides a path of least resistance for electric current to reduce the risk of electric shock. This appliance is equipped with a cord having an equipment-grounding conductor and a grounding plug. The plug must be inserted into an appropriate outlet that is properly installed and grounded in accordance with all local codes and ordinances.

**WARNING**

Improper connection of the equipment grounding conductor can result in a risk of electric shock. Check with a qualified electrician or service person if you are in doubt as to whether the outlet is properly grounded. Do not modify the plug provided with the appliance-if it will not fit the outlet, have a proper outlet installed by a qualified electrician.

This appliance is for use on a nominal 120-volt circuit and has a grounding attachment plug that looks like the plug illustrated in sketchpicture A. Make sure that the appliance is connected to an outlet having the same configuration as the plug. No adaptor should be used with this appliance.

**CONNECT TO A PROPERLY GROUNDED OUTLET ONLY**

1. Grounded outlet
2. Grounded outlet Box
3. Grounded Pin



**We expressly point out that, in accordance with the product liability law, we are not liable for any damage caused by our units if, in the case of use or repair or exchange, original KÄRCHER spare parts are not used and repair is not carried out by a KÄRCHER service centre or an authorised specialist. The same also applies to spare parts and accessories.**

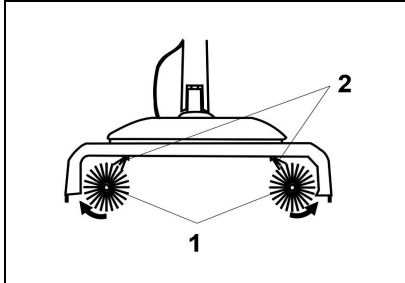
**INTENDED USE**

This floor cleaner is designed for cleaning and caring for hard and elastic floor coverings in inside areas.

**Note:**

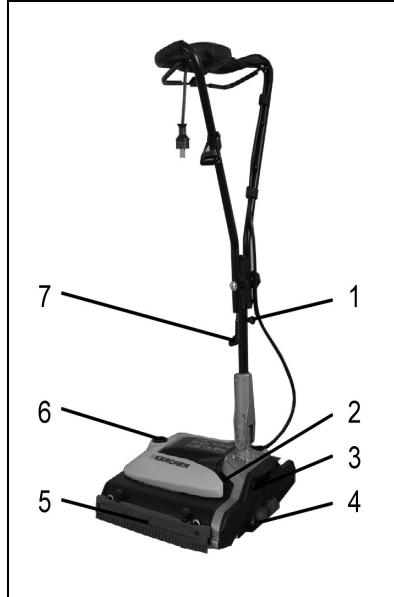
This unit is suitable for commercial use.

### OPERATING DESCRIPTION OF THE FLOOR CLEANER

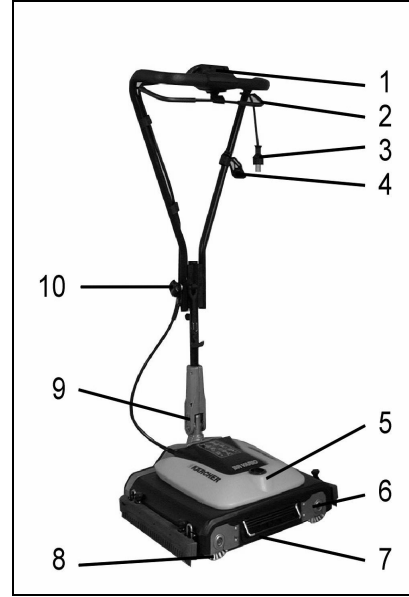


- \* The BR VS 400 has two rotary brooms rotating contrary to each other (1)
- \* The cleaner can be moved forwards and backwards when in use
- \* Work is carried out in a lateral direction (large surface area cleaned) or in lanes
- \* Dirt is removed by the roller brushes and cleaning agent (2)
- \* Removed dirt must be cleaned up by a dry/wet vacuum cleaner
- \* Special rotary brushes (accessory) are used for polishing the floor covering

### DEVICE ELEMENTS



1. Unlocking thrust clip
2. Water suck-off socket (accessory)
3. Recessed grip
4. Castors
5. Splash guard (vertically adjustable)
6. Tank fill opening
7. Sliding U-shaped protection



1. Clip for water pump
2. Clip for brush motor
3. Power cable
4. Strain relief
5. Tank
6. Releasing brushes
7. Support stirrup
8. Brushes
9. Hinge
10. Turning handle for hinged clip

### FIRST INSTALLATION

#### Installing the pushing handle



Position the lower half of the pushing handle vertically

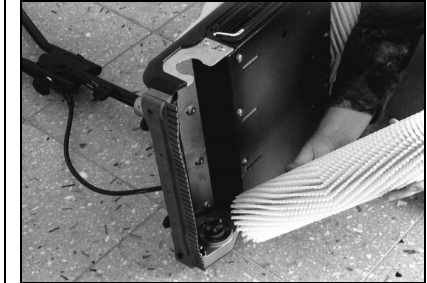


Adjust the upper half of the pushing handle and fix it with the knurled screw

**Note:**  
Do not jam cable when fitting

#### Install rotary brushes

- Carefully lay the cleaner down
- Always use two rotary brushes of the same type



Place the rotary brush with gearing onto the drive



- Press the rotary brush down and place it into the thrust bearing
- Install the second rotary brush as described
- Check that the rotary brushes are in the correct position
- Position the cleaner vertically

## Install the tank



Place the tank on the cleaner



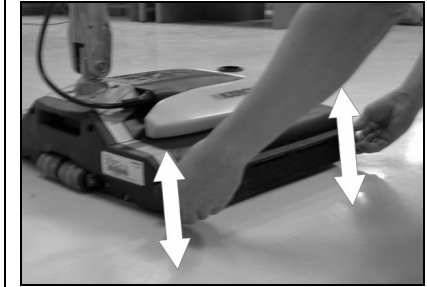
Open the cap



Fill the tank with the required amount of cleaning agent



- Hang the power cable in the strain-reliever
- Plug the cable into the power socket



- Set the splash guard according to each application.
- Tighten fastening screw.

**Note:**  
Adjust the splash guard parallel to the floor

## OPERATION

## Fill the tank

**Note:**

Observe the dosing recommendations of the cleaning agent's manufacturer and mix the cleaning agent solution thoroughly.



Fill the tank with the required amount of fresh water

**Note:**  
The maximum water temperature must be 50°C.



- Close the catch
- Use a cloth to wipe away excess liquid that pours out
- Mix the cleaning agent well

**Take care when handling cleaning agents!**

- \* Comply with the safety recommendations of the cleaning agent's manufacturer
- \* Rinse splashes in eyes or on the skin out or off with plenty of clean water
- \* Call a doctor immediately
- \* Wash contaminated clothing with water



- Place the tank onto the cleaner
- Check that the tank is positioned correctly

## Fitting the plug



Connect the plug to the power cable

## Set the splash guard



- Undo the fastening screw

## Turning the pushing handle



- Press the pushing handle downwards and turn to the LEFT or RIGHT
- Release strain on the pushing handle and turn, it locks in several positions

### Releasing/locking the pushing handle



Pull the catch upwards and hold



Tip the pushing handle backwards

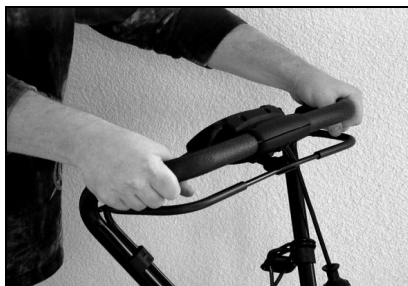


Tip the pushing handle forwards;  
\* The catch locks automatically

### Starting/stopping the rotary brushes



Pull the lower lever;  
\* Rotary brush drive ON



Release the lower lever;  
\* Rotary brush drive OFF

### Measuring out the cleaning agent



Press the upper lever;  
\* Cleaning agent feed ON  
Release the upper lever;  
\* Cleaning agent feed OFF  
**Note:**  
The cleaning agent feed is effected only if the brush drive is switched on.

### Steering the cleaner



Turn the pushing handle to the LEFT  
\* Machine moves to the LEFT

Turn the pushing handle to the RIGHT  
\* Cleaner moves to the RIGHT

### Changing the rotary brushes

- Remove the tank
- Carefully lay the cleaner down
- Always refit two rotary brushes of the same type



- Lay down the rotary brush on the drive side (gearing)
- Dismantle the second rotary brush as described



Press down and suspend the rotary brushes



Fit on a new rotary brush with the gearing located on the drive



Remove the rotary brushes from the gearing



- Press the rotary brush down and place it into the thrust bearing as described
- Install the second new rotary brush as described
- Check that the rotary brushes are in the correct position
- Position the cleaner vertically

**EACH TIME BEFORE OPERATION**

- Check the cleaner and especially the power cable for damage
- Checked the rotary brushes for the presence of foreign objects
- Fit the rotary brush that is suitable for the job
- If necessary top up the cleaning agent solution in the tank
- Connect the plug to the power cable
- Hang the strain-reliever
- Plug the cable into the power socket
- Check that there are no obstacles in the area to be cleaned
- \* See the Operation Chapter for the description

**OPERATION****WARNING!**

The cleaner must always be in motion during operation!  
Do not work on one spot as this may damage the floor covering!



Do not start an unfilled appliance on delicate floors!  
Prior to start-up, tilt unit, activate cleaning agent supply and switch on drive unit for brush rollers.

**Working in a lateral direction**

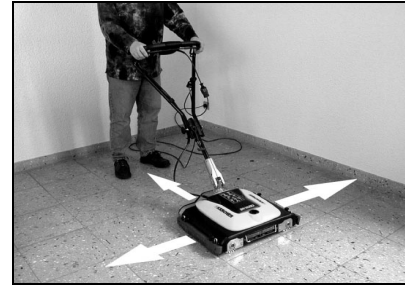
Pull the catch upwards and hold



Tip the pushing handle backwards



Pull the lower lever;  
\* Rotary brush drive ON



- Move the cleaner to the LEFT and RIGHT by turning the pushing handle
- At the same time go backwards slowly
- Press the top switch-stirrup as required, the cleaning agent solution is fed to the rotary brooms

**Working in lanes**

Press the pushing handle downwards and turn to the LEFT or RIGHT



Pull the catch upwards and hold  
Tip the pushing handle backwards



Pull the lower lever;  
\* Rotary brush drive ON



- Move the appliance slowly backwards or forwards in long sweeping movements
- Press the top switch-stirrup as required, the cleaning agent solution is fed to the rotary brooms

**Switching off the cleaner**

Release both levers



- Tip the pushing handle forwards;
- \* The catch locks automatically
- When necessary push the pushing handles down and turn back to the initial position

**Note:**  
Do not leave the cleaner on the rotary brushes



## INSTRUCTIONS FOR USE



# WARNING!

The cleaner must always be in motion during operation!

Do not work on one spot as this may damage the floor covering!

## Instructions for use



Prior to using the appliance on delicate surfaces (PVC, carpets)

- tilt it
- Switch the cleaning agent feed on
- Do not operate it until the machine has been filled with cleaning agent.

**Note:**

The cleaning agent feed is effected only if the brush drive is switched on.

## Scrubbing

- \* Remove loose dirt by brushing before working with the cleaner
- \* Match the amount of cleaning agent solution on the floor covering to the level of dirt
- \* Select rotary brushes suitable for the dirt and floor covering

## Polishing

- \* Polishing is carried out without using liquid
- \* The brush well must be as dry as possible before the pad is fitted

## EACH TIME AFTER USAGE

## Pull out the plug



- Pull the power cable out of the socket
- Disconnect the plug from the power cable



Remove the strain-reliever

## Emptying the tank



Remove the tank, empty and rinse with water

**Note:**

Dispose of the cleaning agent solution in accordance with the relevant regulations. Heed the instructions of the cleaning agent's manufacturer.

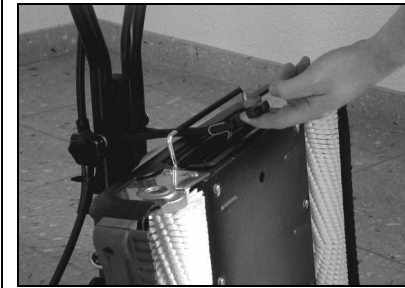
## Switching off the cleaner



Release the pushing handles and tip forwards



Lift the appliance



Engage the safety device



Position the cleaner vertically

**Note:**

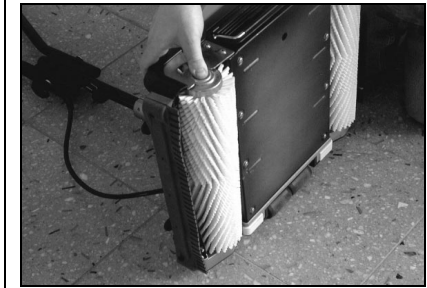
Do not leave the cleaner on the rotary brushes

## Dismantle the rotary brushes

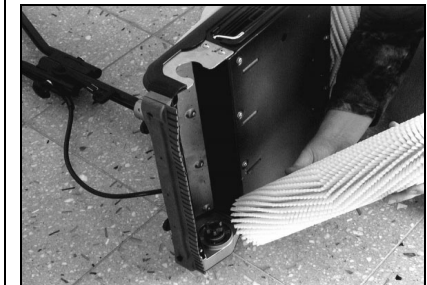
**Note:**

If the machine is not positioned vertically the rotary brushes must be dismantled

- Remove the tank
- Carefully lay the cleaner down



Press down and suspend the rotary brushes



Remove the rotary brushes from the gearing



- Lay down the rotary brush on the drive side (gearing)
- Dismantle the second rotary brush as described
- Position the cleaner vertically

#### TRANSPORTATION

##### Note:

Movement on rollers in inside areas and on smooth floors is not problematic.  
Take care when moving on non-smooth floors and in outside areas.



Push the appliance onto the track rollers

#### CLEANING AND CARE

- Only use a damp cloth for cleaning the cleaner
- Wipe afterwards with a clean, dry cloth
- Do not use chemical cleaning agents

#### PROTECTION FROM FREEZING

- Store the cleaner in a room protected from freezing
- If there is a danger of freezing operate the upper lever until no more liquid flows
- Emptying the tank
- Fill the tank with warm water (max. 50°C) before taking into use
- Wait until any ice that may be in the pump has been melted
- Only operate the upper lever now for measuring out liquid.

#### RECOMMENDED CLEANING AGENTS

\* Only use cleaning agents that do not contain solvent, hydrochloric acid or hydrofluoric acid

Maintenance cleaning  
(also on floors sensitive to alkalis)  
RM 746 6.291-462

Cleaning grease  
RM 69 ASF 6.291-523

Thorough cleaning (stripping) of PVC  
RM 752 6.291-466

Thorough cleaning (stripping) of linoleum  
RM 754 6.291-425

Sanitary cleaner  
RM 68 ASF 6.291-680

Disinfection cleaner  
RM 732 6.291-382

#### ACCESSORIES

##### Rotary brush (white)

For thorough cleaning with little soiling or for sensitive floors  
1 only 4.762-249

##### Rotary brush(grey)

Nylon Grit, hard  
For thoroughly cleaning heavily soiled floors  
1 only 4.762-252

##### Rotary brush (red)

high/low, for structured floors  
1 only 4.762-251

##### Rotary brush(black)

soft, for polishing  
1 only 4.762-250

##### Rotary broom (light blue)

soft, for carpeting  
1 only 4.762-254

##### Rotary broom (horsehair)

natural, for polishing to a mirror finish  
1 only 4.762-274

##### Pad

For mounting pads  
1 only 4.762-228

##### Pads (green)

Hard  
The appliance requires 2x25  
20 pieces 6.369-452

##### Pads (bright red)

Medium  
The appliance requires 2x25  
20 pieces 6.369-453

##### Pads (yellow)

Soft  
The appliance requires 2x25  
20 pieces 6.369-451

##### Pads (white)

Very soft  
The appliance requires 2x25  
20 pieces 6.369-388

##### Tank

Contents 3 litres  
For low heights  
2.639-080

##### Tank

Contents 10 litres  
For larger amounts of cleaning agent  
2.639-081

##### Additional weight

7 kg, for polishing  
5.031-790

##### Additional weight

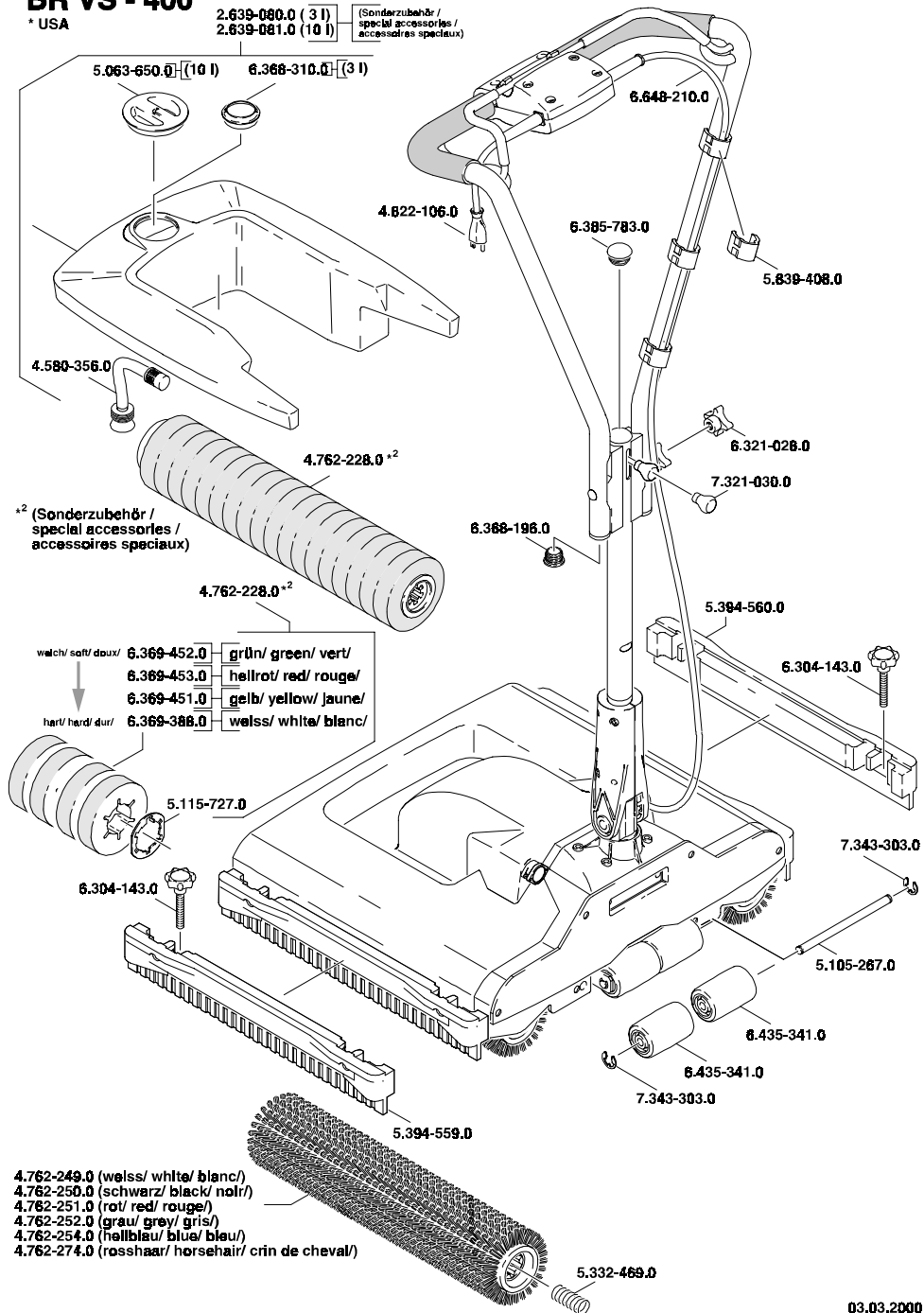
12 kg, for crystallizing  
2.639-193

FAULT INDICATIONS	TECHNICAL DATA
<p><b>No or too little cleaning agent solution on the floor</b></p> <ul style="list-style-type: none"> <li>– Fill the tank with the cleaning agent solution</li> <li>– Check that the tank is firmly fitted</li> </ul> <p><b>Unsatisfactory cleaning results</b></p> <ul style="list-style-type: none"> <li>– Replace worn rotary brooms</li> <li>– Check that the rotary broom or the pads match the application on hand.</li> </ul> <p><b>Rotary brushes do not turn</b></p> <ul style="list-style-type: none"> <li>– Remove jammed foreign bodies</li> <li>– The appliance is overloaded, the overcurrent protection switch triggered, allow it to cool down. The appliance is operable again after approx. 30 s.</li> <li>– Use rotary brushes suitable for job</li> </ul> <p><b>Mains circuit breaker triggers when the cleaner is switched on</b></p> <ul style="list-style-type: none"> <li>– Ensure adequate mains fuse protection (15 A time-lag) or use starting current limiter</li> <li>– Switch off other consumers or use other power circuit.</li> </ul> <p><b>Cleaner runs unevenly or vibrates heavily</b></p> <ul style="list-style-type: none"> <li>– Check the proper fit of the rotary brooms</li> <li>– Exchange the right for the left hand rotary broom and vice versa</li> <li>– Soak the rotary brooms in hot water (approx. 15°C) for approx. 80 min.</li> </ul> <p><b>If fault cannot be rectified, have unit checked by After-Sales Service.</b></p>	<p><b>Mains fuse</b> (slow) 15 A</p> <p><b>Power drive</b> Rated voltage 120 V (1~60Hz) Nominal power consumption Total 1,6 kW Brush motor 1,55 kW Spray pump 0,05 kW</p> <p><b>Area performance</b> (theoretical) 450 m<sup>2</sup>/h</p> <p><b>Brushes</b> Number 2 pieces Diameter 95 mm</p> <p><b>Tank</b> Capacity 3 Litres option 10 Litres</p> <p><b>Dimensions and weights</b> Length 530 mm Width 450 mm Height without protective bracket 180 mm Empty weight 30 kg Working width 400 mm Protection class I</p> <p><b>Noise emission</b> Mean sound level according to IEC 60704-1 70 dB(A)</p> <p><b>Machine vibration</b> according to ISO 5349 upper limbs &lt; 1 m/s<sup>2</sup></p>

**BR VS - 400**

\* USA

2.639-080.0 (3 l)  
2.639-081.0 (10 l)  
(Sonderzubehör /  
special accessories /  
accessoires spéciaux)



03.03.2000

## Free Manuals Download Website

<http://myh66.com>

<http://usermanuals.us>

<http://www.somanuals.com>

<http://www.4manuals.cc>

<http://www.manual-lib.com>

<http://www.404manual.com>

<http://www.luxmanual.com>

<http://aubethermostatmanual.com>

Golf course search by state

<http://golfingnear.com>

Email search by domain

<http://emailbydomain.com>

Auto manuals search

<http://auto.somanuals.com>

TV manuals search

<http://tv.somanuals.com>