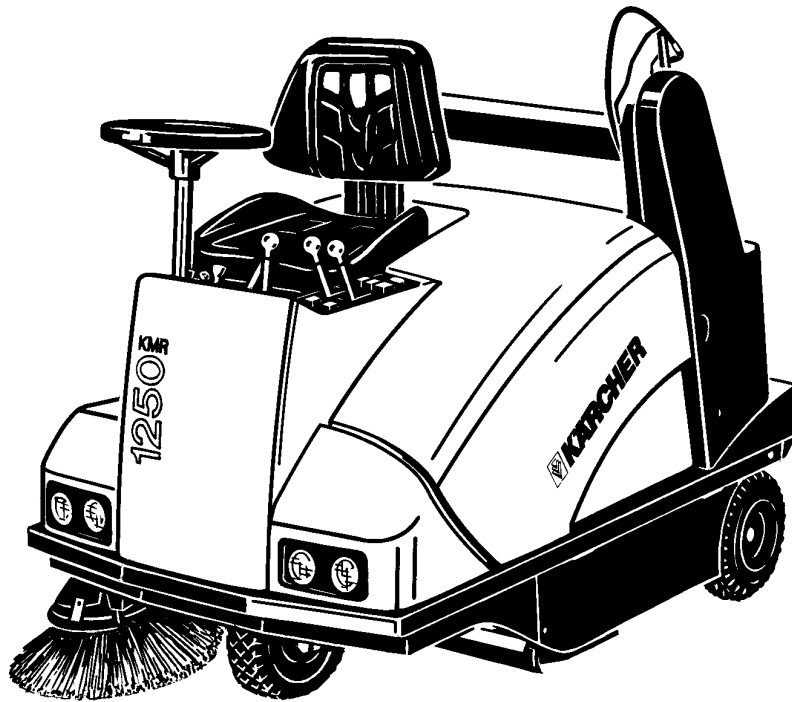


# KMR 1250 D

1.091-114

1.091-134



<b>Deutsch</b>	Betriebsanleitung für Anwender Ersatzteilliste	Seite 3 Seite171
<b>English</b>	User Instructions Spare Parts List	Page 27 Page171
<b>Français</b>	Notice d'instructions pour l'utilisateur Liste des pièces de rechange	Page 51 Page171
<b>Nederlands</b>	Gebruiksaanwijzing Onderdelenlijst	Pagina 75 Pagina171
<b>Italiano</b>	Istruzioni per l'uso per utilizzatori Lista dei ricambi	Pàgina 99 Pàgina171
<b>Svenska</b>	Instruktionsbok för användaren Reservdelslista	Sida123 Sida171
<b>Ελληνικά</b>	Οδηγίες χειρισμού για τους χρήστες Κατάλογος ανταλλακτικών	Σελίδα 147 Σελίδα 171

## Contents

For your safety .....	28
On behalf of the environment .....	29
Intended usage .....	30
Sweeper functions .....	30
Main components .....	30
Prior to initial start-up .....	31
Unloading procedure .....	31
Pushing the sweeper by hand .....	31
After moving the machine .....	31
Operating controls .....	32
Preparing the sweeper for use .....	33
Adjusting the driver's seat .....	33
Filling the fuel tank .....	33
Open fuel tap .....	33
Starting the sweeper .....	34
Initial driving trials .....	34
Braking .....	35
Stopping the sweeper and switching off .....	35
Cleaning the filter .....	35
Automatic cleaning .....	35
Manual cleaning .....	35
Emptying the waste hopper .....	36
Typical applications .....	37
Sweeping on dry ground .....	37
Sweeping on damp or wet ground .....	37
Shutting the sweeper down for longer periods .....	38
Transporting the sweeper .....	39
Cleaning and care .....	39
Maintenance .....	40
First engine oil change .....	40
Initial inspection after 8 operating hours .....	40
Daily maintenance .....	40
Maintenance intervals .....	40
Maintenance tasks .....	41
Opening/closing the unit cover .....	41
Disconnecting the battery .....	41
Checking tyre pressures .....	42
Checking the oil level .....	42
Filling up with oil .....	42
Changing the engine oil .....	42
Cleaning or replacing the air cleaner .....	43
Clean fuel filter .....	43
Checking the hydraulic system .....	43
Checking the level of electrolyte in the battery .....	44
Charging the battery .....	44
Replacing the sealing skirts .....	45
Replacing the side brush .....	45
Replace light unit .....	45
Adjusting the sweeping pattern .....	46
Replacing the main brush roller .....	47
Replacing fuses .....	48
Replacing the dust filters .....	48
Troubleshooting .....	49
Technical specifications .....	50

## For your safety

Before you use this machine for the first time, please read the following:

- these operating instructions
  - the enclosed leaflet Safety Information No. **5.956-250**.
- Make sure that all information contained therein is complied with.



### **Explosion hazard while refuelling!**

- Do not fill up with fuel
  - in an enclosed space
  - while the engine is running.
- Do not smoke while refuelling the vehicle.
- Fuel expands as it becomes warmer.  
Do not fill the tank right up to the top. Leave a gap of at least 1 cm under the bottom edge of the filler neck.
- Wipe up any fuel they may have been spilt and ensure that the cap is replaced firmly on the tank.



### **Fire hazard while sweeper is operating!**

- Keep highly inflammable materials away from the engine and the exhaust while the sweeper is operating.



### **Danger of toppling over on steep slopes!**

The sweeper could topple over while it is being driven across or turning round on a steep slope.

- The maximum gradient up or down which the sweeper can be driven is 18%.
- Do not drive at right angles to a slope with a gradient steeper than 10%.



### **Danger of toppling over if bends are negotiated at high speed!**

- The sweeper could topple over if it is driven round a bend at high speed. Drive slowly round bends.



### **Caution when carrying out maintenance or repairs!**

In order to prevent the engine from being started unintentionally, proceed as follows:

- Remove the ignition key.
- Disconnect the battery at the negative terminal.



### **Caution while handling the battery!**

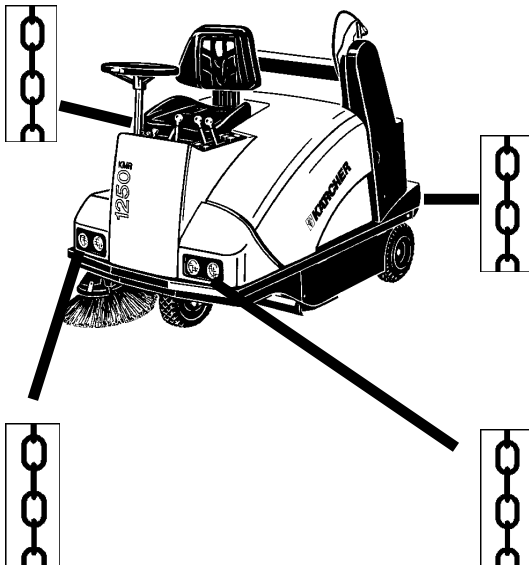
Observe the safety information provided by the battery manufacturer.

Always use batteries and chargers recommended by KÄRCHER, otherwise your warranty could be rendered invalid.

**⚠ Caution while transporting the sweeper!**

Make sure that the sweeper is secured properly if you are going to transport it to a different location.

Do not use a forklift truck for loading purposes as it could damage the sweeper.



- Apply the parking brake.
- Secure the sweeper as shown in the illustration, using
  - web belts
  - or
  - ropes
  - or
  - chains.

**On behalf of the environment**

**⚠ Caution, environmental hazard due to exhausted batteries!**

Exhausted batteries should not be treated as domestic refuse. Make sure that they are disposed of in an environmentally appropriate manner.

**⚠ Caution, environmental hazard due to engine oil or hydraulic fluid!**

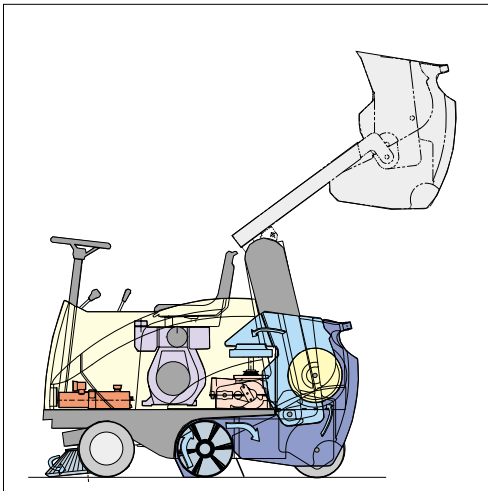
After you have changed the engine oil or hydraulic fluid, take the waste product to a recognised collection point or to a waste disposal company.

## Intended usage

This sweeper

- is intended to be used for sweeping outdoor surfaces,
- corresponds to Usage Category “U” for dust that is not injurious to health,
- should not be used in enclosed spaces,
- can only be used on public paths and highways if it has been fitted with the StVZO Accessory Kit.

## Sweeper functions



## Main components

Drive unit

- single-cylinder diesel engine
- continuously-adjustable hydraulic drive to rear wheels
- main brush and side brush driven via belts
- hydraulically controlled emptying of waste hopper
- high-performance generator

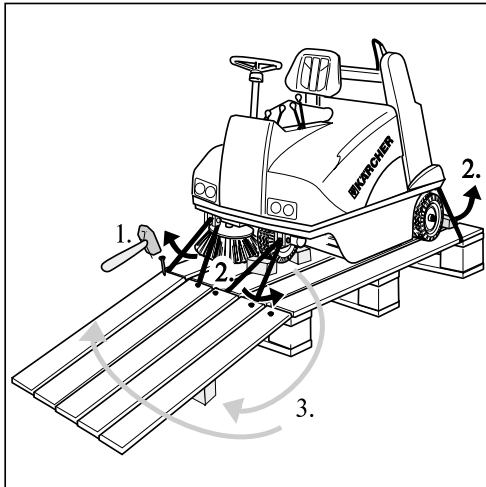
Sweeping mechanism

- main brush employing throw-over principle for particularly effective filling of waste hopper
- floating main brush roller with adjustable height above ground
- quick-change mechanism for main brush
- side brush can be raised and swivels automatically
- bulk waste flap for picking up larger items (e.g. cigarette packs or drink cans)

Filter system

- integrated dust extraction for main roller by means of radial turbine
- 2 circular filters with 2 x 3 m<sup>2</sup> effective surface area
- electric filter cleaner with automatic shaking mechanism

## Prior to initial start-up



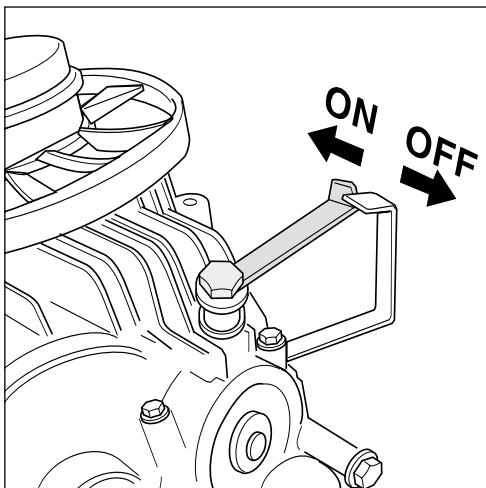
## Unloading procedure



**Do not use a forklift truck for unloading as it could cause damage to the sweeper.**

The sweeper has been lashed onto a pallet to ensure that it can be transported safely. The procedure for unpacking the sweeper is as follows:

1. Remove the wooden boards from the pallet and nail them onto the end of the pallet (in front of the sweeper).
2. Detach the wires holding the sweeper in place at the ends of the pallet.
3. Knock away the blocks used for locking the wheels and use them for the support of the wooden planks on the left and right.
4. Drive the sweeper off the pallet and down the ramp made from the boards.
5. The side brush has been tied to the chassis for transport. Undo the cord holding it in place.



## Pushing the sweeper by hand

If you wish to move the sweeper without using its own drive:

- Open the engine cover.
- Fold the cover towards the rear; it will be held in place by the pneumatic spring.
- ← Turn the lever for allowing freewheeling to position "OFF".
- Release the handbrake.
- Push the sweeper to the required destination.

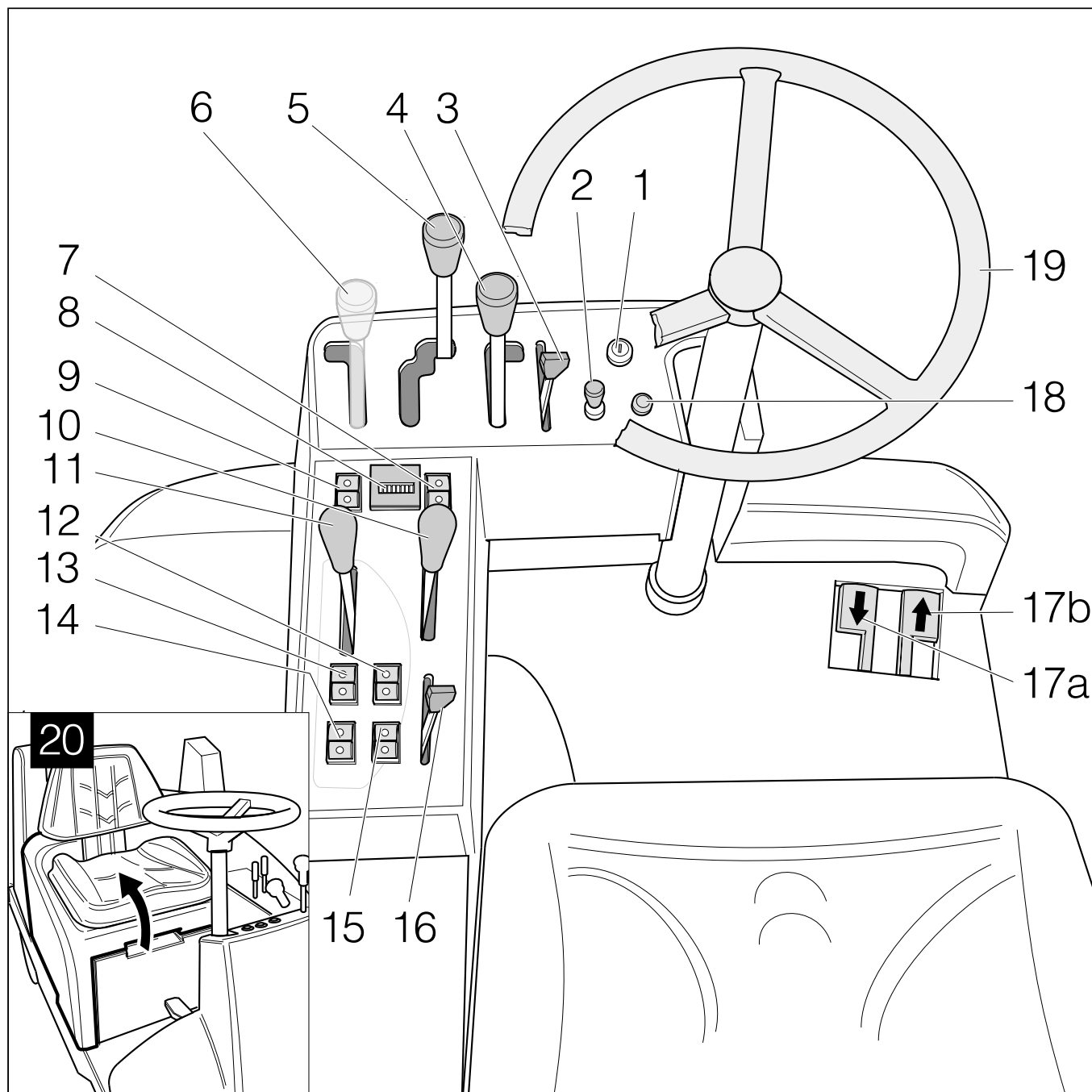
### Note:

*Do not push the sweeper over long distances or move it at a speed greater than 10 km/h (e.g. when it is being towed).*

## After moving the machine

- Put the parking brake on.
- Set free-wheeling lever to position "ON".

## Operating controls



- |   |                              |
|---|------------------------------|
| 1. Ignition lock                          | 12. Tip waste hopper *       |
| 3. Throttle lever                         | 13. Raise waste hopper *     |
| 4. Raise / lower RH side brush            | 14. Lower waste hopper *     |
| 5. Raise / lower main brush               | 15. Filter cleaning          |
| 6. Raise / lower LH side brush (optional) | 16. Sweeping mode, wet / dry |
| 7. Switch for two-handed operation        | 17a. Driving pedal backwards |
| 8. Operating hour counter                 | 17b. Driving pedal forwards  |
| 9. Lights                                 | 18. Horn                     |
| 10. Bulk waste flap                       | 19. Steering wheel           |
| 11. Parking brake / Driving brake         | 20. Open/close unit cover    |

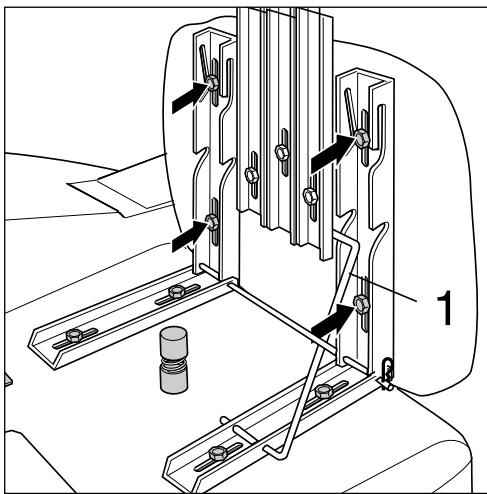
\* Function only operative in conjunction with 7 (two-handed operation).



## Preparing the sweeper for use

All directions given (left/right, front/rear) are as seen from the driver's seat.

- Check the oil level in the engine (see Chapter: "Maintenance").
- Check the amount of fuel in the tank and fill up, if required (see below).
- Check the level of hydraulic fluid and top up, if required (see Chapter: "Maintenance").
- Check the air pressure in the tyres (see Chapter: "Maintenance").
- Inspect the brush roller and remove any string, rope, etc., that may be caught up in the brushes.
- Check the dust filter. If it is very dirty, operate the shaker to clean it off.
- Empty the waste container.



### Adjusting the driver's seat

The driver's seat can be adjusted to suit persons of various heights.

- Unhook the rods **1** in the seat tilting device.
- ← Undo the 4 screws.
- Move the seat to the desired position.
- Tighten the screws and hook the rods back into the tilting device.

### Filling the fuel tank



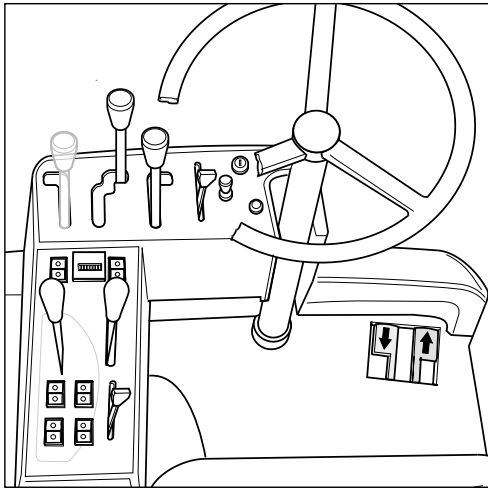
#### Explosion hazard while refuelling!

- Do not fill up with fuel
  - in an enclosed space
  - while the engine is running.
- Do not smoke while refuelling the vehicle.
- Fuel expands as it becomes warmer. Do not fill the tank right up to the top. Leave a gap of at least 1 cm under the bottom edge of the filler neck.
- Wipe up any fuel they may have been spilt and ensure that the cap is replaced firmly on the tank.
- Use only diesel.

### Open fuel tap

- Open unit cover
- ← Open fuel tap at position 0 (OPEN)  
Lever points downwards
- Close unit cover


## Starting the sweeper





### Initial driving trials

Carry out initial driving trials in an area where there is plenty of free space until you are familiar with individual operating controls and their functions.

All indications of direction (right/left, front/rear) are given in relation to the direction of travel as seen from the driver's seat.

- Sit down on the driver's seat.  
The engine cannot be started until the driver has sat down (seat contact switch). As soon as driver gets up from the seat, the engine switches off (safety cut-out).
- Make sure that
  - the LH side brush (if fitted) is in the raised position,
  - the RH side brush is in the raised position,
  - the main brush is in the raised position.
- Set the throttle lever to the middle position. **(E)** (operating speed)
- Put the ignition key into the starting position and start the engine. 
- After the engine has started, push the choke back in.

### Moving off and sweeping

- Lower the main brush  and, if required, the side brush as well .
- Release the parking brake **(P)**
  - push the lever towards the front.
- Press driving pedal slowly  
Press right pedal, machine moves forwards  
Press left pedal, machine moves backwards

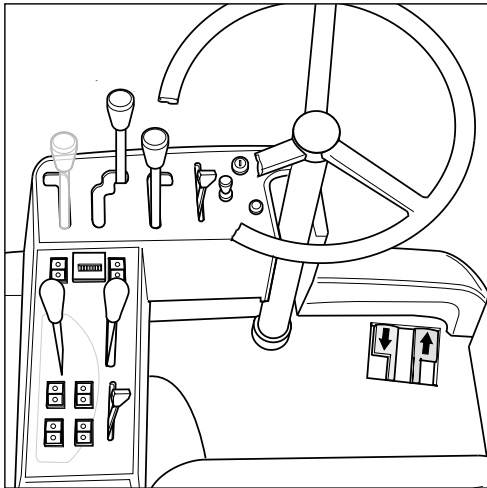
The travel speed can be infinitely adjusted forwards or backwards with the respective pedal.  
Avoid jerky motions of the pedal, as this can damage the hydraulic system.

## Braking



- Release the drive pedal and the sweeper will brake automatically.

### **Important note: Safety!**

*It is possible that the automatic braking function will not be sufficient to bring the sweeper to a halt. In this case, either make use of the parking brake as well or gently press the drive pedal in the opposite direction to travel.*



## Stopping the sweeper and switching off

- Release the drive pedal. The sweeper brakes automatically and comes to a halt.
- Apply the parking brake (P).
- Set the throttle lever to minimum engine speed (to the rear).
- Make sure the main roller  and side brush  are raised so that the bristles are not damaged.
- Switching off
  - Turn the ignition key counter-clockwise to the 0 position and then remove it.
 After the engine has been switched off, the filter is automatically cleaned for approx. 10 seconds.

## Cleaning the filter


### Automatic cleaning


- Stop the sweeper and switch off the engine. After the engine has been switched off, the filter is automatically cleaned for approx. 10 seconds.


### Manual cleaning

While the sweeper is operating, the filter should be cleaned approx. every 15–30 minutes (depending on amount of dust).

- Stop the sweeper.

- Set the sweeping mode lever to **wet** .

- Give a short press on the filter cleaner button , the filter is cleaned for about 10 seconds. .

- Set the sweeping mode lever back to **dry** .
- Continue with cleaning task as before.

## Emptying the waste hopper



### Important information

#### Injury hazard!

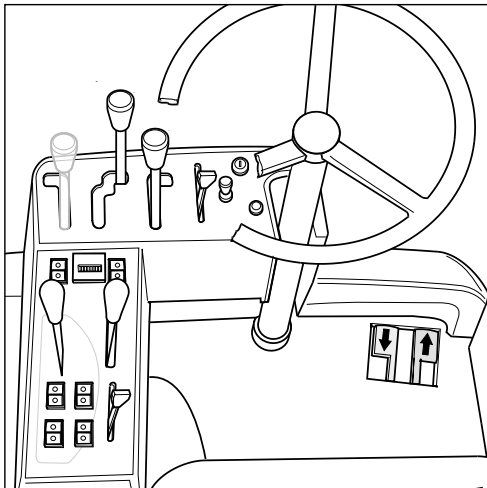
No person or animal should be allowed to stand in the area traversed by the hopper while it is being emptied.

#### Danger of being crushed!

Do not reach into the shafts and linkage of the emptying mechanism.  
Do not stand under the hopper.

#### Risk of sweeper toppling over!

If the sweeper is standing on a slope with a gradient of more than 5%, it could topple over while the hopper is being emptied. The hopper should therefore only be emptied when the gradient at the location where the sweeper is standing is less than 5% for the direction in which it is facing.



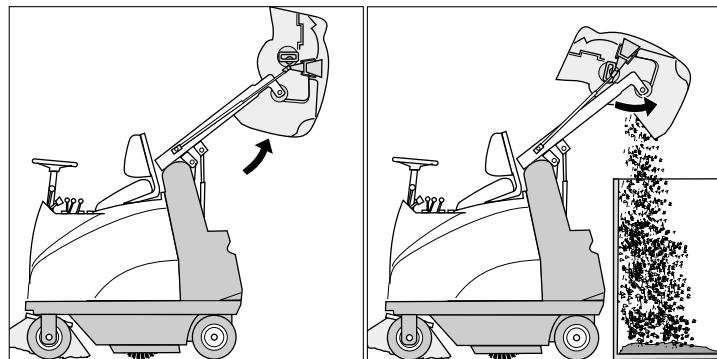
- Stop the sweeper.
- Raise the main brush .

**Note:** Following steps can only be performed with the sweeper set to two-handed operation.

- Raise the waste hopper 1 + 2 +

When the hopper has reached the required height:

- Tip the hopper outwards 1 + 3 +



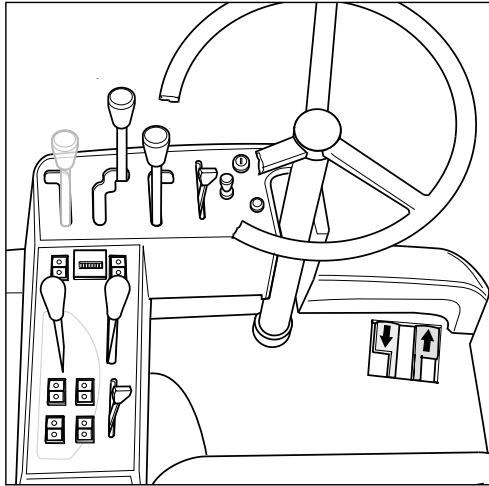
#### Note:

The hopper must have reached a certain minimum height before it can be tipped out. The best position for emptying the hopper is when it has been fully extended.

As soon as you release the button for activating the tipping system, the hopper automatically returns to its original position.

- Lower the hopper 1 + 4 +

## Typical applications



### Caution while sweeping!



Do not sweep up packing bands, wires or similar items, otherwise the sweeping mechanism will be damaged.  
Do not sweep any burning/glowing objects.


### Sweeping on dry ground

If there is a large amount of rubbish, such as several layers of leaves

- remove the bulk by hand before you start with the sweeper.

For a small amount of normal dirt

- on an even surface:  
lower main brush
  - set the lever to the middle position  (minimum brush wear).
- on an uneven surface:  
lower main brush
  - set the lever to the lower position  (increased brush wear).
- switch on dust extraction

- set the switching mode lever to **dry** .

- for cleaning right up to the edges – lower the side brush



At regular intervals:


- clean the filter,
- empty the waste hopper.

**Notes:** *If you are sweeping up fine dust, use the side brush as little as possible as it will increase the amount of dust stirred up by the sweeper. If the side brush encounters an obstacle, it automatically swivels back inside the outer contours of the sweeper. You should nevertheless try to avoid collisions.*

*While the sweeper is operating, the filter should be cleaned approx. every 15–30 minutes (depending on amount of dust).*

### Sweeping on damp or wet ground

Follow the same procedure as for sweeping on dry ground. In order to protect the filter from moisture

- switch off the dust extraction
  - set the sweeping mode lever to **wet** .


At regular intervals:

- empty the waste hopper.

### Picking up larger items (sticks, tins, etc.)

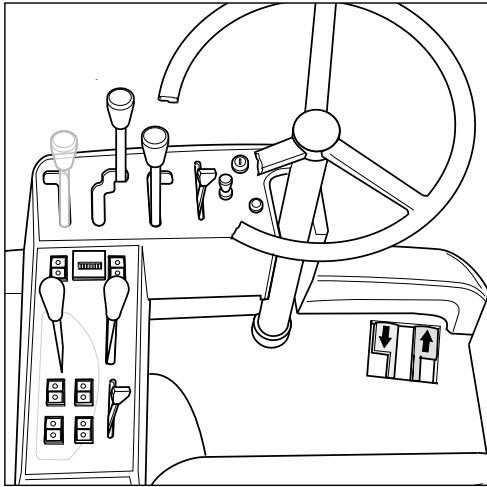
#### Caution!

When the bulk waste flap is open, stones or grit could be thrown at the front by the main brush. Make sure therefore that when you open the flap no persons, animals or property are endangered.

- Open the bulk waste flap  by pulling back the corresponding lever.
- Drive over the items to be picked up, at low speed and with the bulk waste flap open.

#### **Note:**

*In order to avoid stirring up dust unnecessarily, close the bulk waste flap again as soon as possible.*



### Overcoming obstacles

Obstacles up to 5 cm in height

- can be driven over without any problems. Before you do so, open the bulk waste flap and raise the main brush.

Obstacles more than 5 cm in height

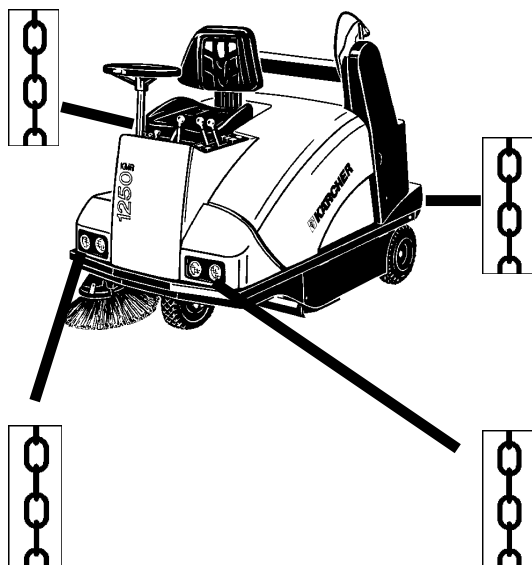
- can be only be driven over with the aid of a suitable ramp.

### Shutting the sweeper down for longer periods

If you do not intend to use the sweeper for a longer period of time (e.g. during the winter), please observe the following.

- It is most important that the main brush and side brush(es) are kept raised in order to avoid damage to the bristles.
- Clean the interior and exterior of the sweeper.
- Close the fuel tap.
- Change the engine oil (see Chapter: "Maintenance").
- Store the sweeper in a protected environment and ensure that it cannot roll away.
- Remove the ignition key.
- Disconnect the battery.
- Charge the battery with a suitable charger approx. every two months (see Chapter: "Maintenance").

## Transporting the sweeper



If the sweeper is going to be transported on the back of a vehicle, it must be properly secured so that it cannot move unintentionally.

- Apply the parking brake.
- Secure the sweeper in the manner shown in the illustration only, using
  - web belts
  - or
  - ropes
  - or
  - chains.

## Cleaning and care

Before you carry out any cleaning or general maintenance tasks,

- Park the sweeper and switch off the engine.

### Cleaning the inside of the sweeper:

You can clean out the inner parts of the sweeper by blowing them through with compressed air.

### Cleaning the outside of the sweeper:

The outside of the sweeper can be wiped off with a damp cloth. Do not use any aggressive cleaning agents which might cause damage to the plastic components.

## Maintenance

### First engine oil change



#### Caution!

When an engine is new, it is subject to increased abrasion. In order that the engine does not suffer any damage, we recommend that you change the engine oil and the oil filter after the first 8 operating hours.

### Initial inspection after 8 operating hours



#### Caution!

In order to ensure that your sweeper functions safely and reliably, it should undergo an initial inspection after approx. 8 operating hours. The inspection should be carried out by an authorised service agent.

- Check all Bowden cables and make adjustments where necessary.
- Change the engine oil.
- Check that there are no leaks in the hydraulic system and all components function correctly.
- Check that the parking brake functions correctly.
- Check the air pressure in the tyres (correct level: 6 bar).

### Daily maintenance

- Check the engine oil level.
- Check the tyre pressure (correct level: 6 bar).
- Inspect the brush roller and remove any string, rope, etc., that may be caught up in the brushes.
- Check the dust filter. If it is very dirty, operate the shaker to clean it off.
- Empty the waste container.

### Maintenance intervals

Keep to the service intervals set out in the maintenance booklet so that your sweeper functions reliably and you retain the full benefit of the warranty.

The **maintenance booklet** (Order-no. 5.950-536) can be found in the tool compartment on the sweeper (under the bonnet).

The necessary maintenance tasks should be carried out by an authorised service agent.





### Safety information applicable to maintenance tasks

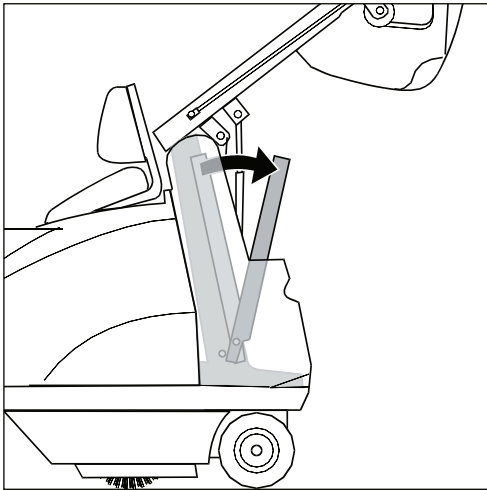
Before you begin any maintenance tasks, please read the enclosed leaflet **Safety Information** No. 5.956-250.

### Caution! Make sure engine cannot be started unintentionally.

In order to prevent the engine from being started unintentionally, proceed as follows after you have parked the sweeper.

- Pull out the ignition key.
- Disconnect the battery at the negative terminal.

The necessary maintenance tasks or daily inspections can be carried out with the bonnet raised.



### Risk of injury!

Only raise the unit cover after the engine has been switched off and the parking brake **(P)** has been applied.

### Burns hazard!

Take care not to touch the exhaust when you open the bonnet.

### Injury hazard!

← If you need to work under the waste container while it is in the raised position, you must first of all secure the container to prevent it from dropping down unintentionally:

## Maintenance tasks

### Opening/closing the unit cover

- Tip the seat forwards.
- Take hold of the unit cover by the recessed grip and open it by pulling upwards.

### Disconnecting the battery

- Open the unit cover.
- First of all disconnect the cable from the negative terminal (-), then disconnect the positive terminal (+).

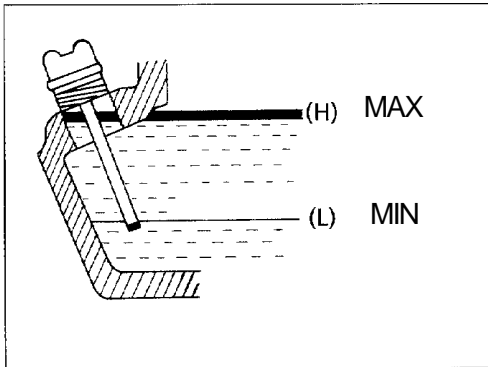
### Note:

*When reconnecting the battery, proceed in reverse order – connect the positive terminal (+) first of all, then the negative terminal (-).*

## Checking tyre pressures

- Park the sweeper on a level surface.
- Check the air pressure in each tyre and correct it where necessary.  
Air pressure for front and rear tyres = 6 bar.

## Checking the oil level

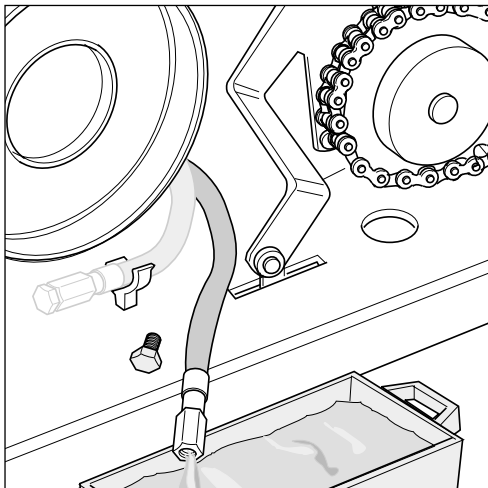


- Park the sweeper on a level surface.  
Pull out the dipstick.
- Wipe the dipstick clean and re-insert it in the filler hole.
- Pull out the dipstick again and check the result.  
The oil level should be between the MIN and MAX marks.  
If the oil level is below MIN – top up with oil.  
If the oil level is above MAX – drain off the surplus.
- Insert the dipstick back into the filler hole.

## Filling up with oil

- Pour engine oil type SAE 15 W 40 into the hole for the dipstick.

## Changing the engine oil



**Caution! Danger to the environment from engine oil**

After carrying out an oil change, ensure that the waste oil is passed to an appropriate collection point or official disposal company.



**Caution,**

- Run the engine until it reaches its normal operating temperature.
- Make sure the sweeper is standing on a level surface.
- Open the unit cover.
- Place a drip pan under the engine.
- ← Hold the end of the drain tube over the drip pan and let the old oil run out.
- Close off the end of the drain tube again.
- Pour engine oil into the filler hole.  
Capacity = 1.1 litres
- Check the oil level with the dipstick – see “Checking the oil level”.
- Wipe up any oil spillage and dispose of the waste oil appropriately.

## Cleaning or replacing the air cleaner



**⚠ Do not run the engine without an air cleaner otherwise this will lead to increased wear on the engine**

The air cleaner must be washed out more frequently if the engine is run in particularly dusty environment.

**⚠ Do not wash the air cleaner in petrol or a cleaning solvent with a low flash point.**

- **Filter insert 1:** Replace when heavily contaminated. Otherwise, blow out the insert from the inside with compressed air or knock it on a hard surface. **Do not** brush the dirt off or the dirt will get pressed into the fibres. **Do not** clean the filter with a soap solution as in this model it is a oil wet filter.

## Clean fuel filter

**⚠ Do not smoke where this work is taking place, keep away from naked flames and sparks.**

- Drain the fuel out of the tank.
- Undo the small screws on the fuel tap and draw out the filter. Wash the filter thoroughly with diesel fuel.

## Checking the hydraulic system

- Carry out a visual inspection. If there is any loss of fluid from the hydraulic unit, cylinder or hoses, call KÄRCHER Customer Service.

### Safety information

which must be observed when handling batteries.



Comply with the user instructions and ensure that these are displayed at the charging station. Before the operator carries out any work on batteries, he/she must have received proper instruction from a suitably qualified person.



Wear safety goggles and protective clothing when working on batteries. Observe accident prevention regulations, as well as DIN VDE 0510, VDE 0105 Part 1.



Smoking is forbidden!

Make sure that there are no naked flames, other source of heat or sparks in the proximity of the battery, otherwise there is a danger of explosion or fire.



If electrolyte comes into contact with skin or eyes, rinse the affected area with plenty of clean water. The metal parts of battery cells are permanently live. Therefore do not place any tools or other objects on top of the battery.



Explosion and fire hazard! Avoid short-circuits.

Warning! The metal parts of battery cells are permanently live. Therefore do not place any tools or other objects on top of the battery.



Electrolyte is highly corrosive. Under normal operating conditions it is not possible for anything to come into contact with the electrolyte. If the battery housing is destroyed, the bound electrolyte that leaks out is just as corrosive as liquid electrolyte.



Return to manufacturer!

Exhausted batteries bearing this symbol are a re-usable resource which should be recycled accordingly. Exhausted batteries that are not intended to be recycled must be disposed of as hazardous waste in compliance with all relevant regulations.

### Checking the level of electrolyte in the battery

**Note:** This only affects batteries which are not absolutely maintenance free.

Check the level of electrolyte in batteries filled with acid. Make sure the battery is fully charged before you carry out the check. If required:

- Top up each cell with distilled water until the lead plates are covered by approx. 1 cm of liquid.

### Charging the battery

**Note:**

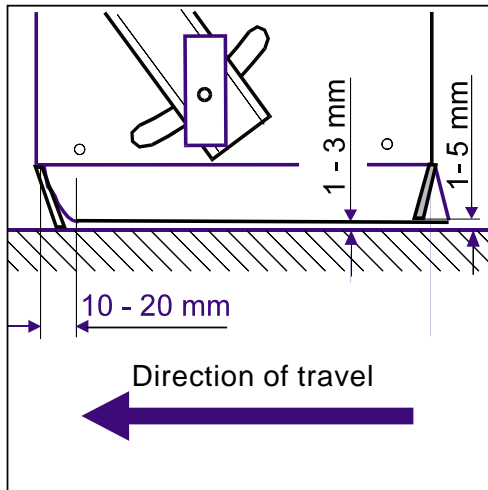
*We recommend using the automatic battery charger (part number 6.654-116) for starter batteries. Only use a battery charger having a mark of conformity!*

*Only use a battery charger with a certification mark!*

*Only undertake the charging procedure in dry, weather-protected areas.*

- Bring machine to a stop, remove ignition key
- Tilt the seat forward and open the unit cover
- Connect the positive (battery) post (+) with the battery charger (red clip)
- Connect the negative (battery) post (-) with the battery charger (black clip)
- Connect the battery charger to the network and switch on as necessary. Charging period according to manufacturer's specifications.

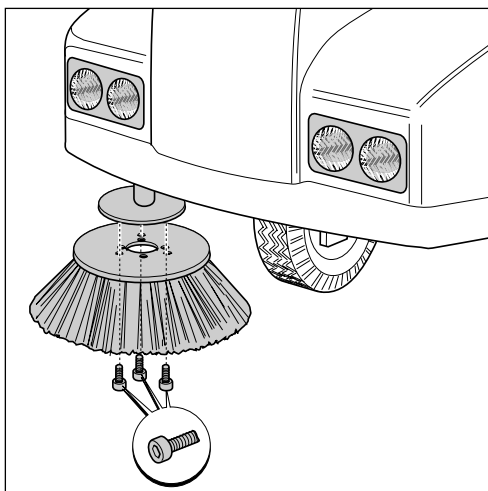
## Replacing the sealing skirts



The sealing skirts fulfil an important function. They retain the partial vacuum in the area round the brushes which is essential so that the sweeper can function properly. They ensure that sweeping can take place without clouds of dust being formed at the same time. If the sealing skirts are damaged or worn out, they must be replaced immediately.

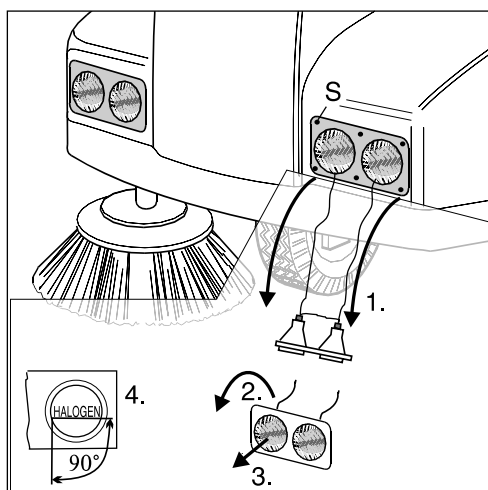
- Park the sweeper and switch off the engine.
- Remove the retaining screws and detach the sealing skirts.
- Fit new skirts, and align them as follows:  
The side skirts should be adjusted so that they clear the ground by 1–3 mm.  
The rear skirt should be adjusted so that they clear the ground by 1–5 mm.
- The front skirt cannot be adjusted. Replace the skirt as soon as you see signs of excessive wear.
- Tighten the retaining screws.

## Replacing the side brush



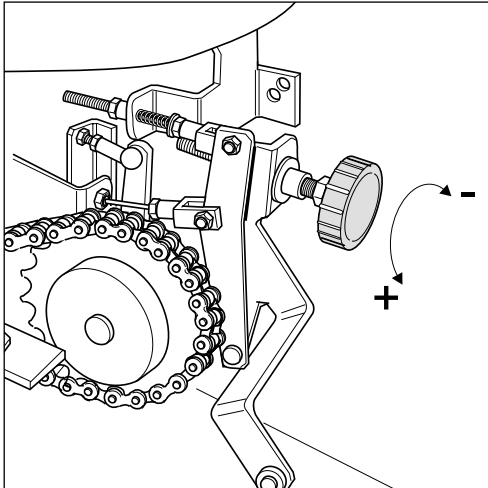
- Park the sweeper and switch off the engine.
- Raise the side brush.
- Remove the three hex-socket bolts (5 mm Allen key).
- Detach the side brush.
- Push the new side brush onto the drive pin.
- Refit and tighten the three hex-socket bolts.

## Replace light unit



- Stop the machine and turn it off
- Take out the ignition key
- Undo 6 screws **S** on the panel
- Remove the panel **1**
- Unscrew the Phillips screw between the supports of the lamp holder on the defective headlight
- Turn the lens of the defective headlight anti-clockwise about 1/4 of a turn **2** and take out reflector housing **3**
- Replace light unit
- Insert reflector housing with new light unit in panel again from below and secure with about 1/4 of a turn clockwise. Make certain it engages properly, the label HALOGEN on the headlight glass must be able to be read horizontally **4**
- Screw in again the screw between the supports, then secure the panel with the 6 screws.

## Adjusting the sweeping pattern



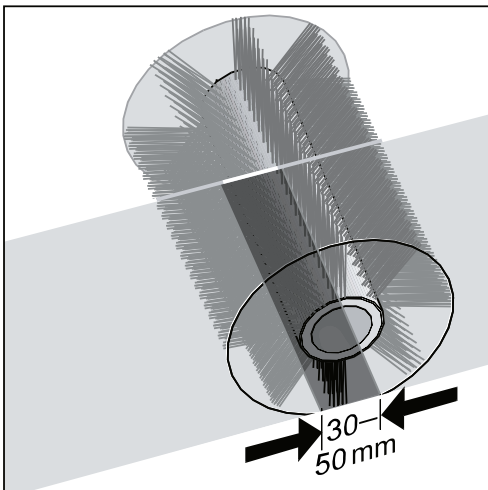
- Open the unit cover and secure it in place.
- ← The sweeping pattern can be altered by turning the central adjusting knob.
  - To increase size of sweeping pattern: turn adjusting knob counter-clockwise (towards +).
  - To reduce size of sweeping pattern: turn adjusting knob clockwise (towards -).

After any adjustments have been made, check the sweeping pattern.

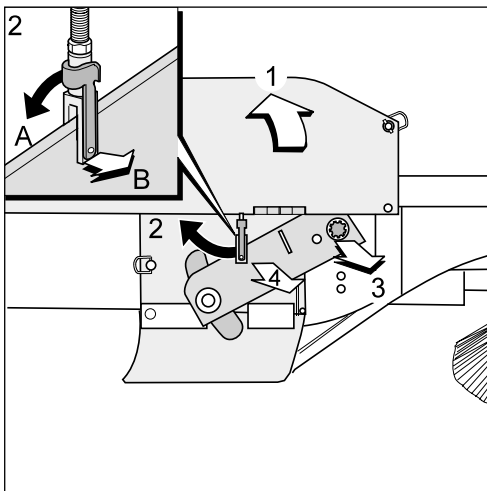
- Drive the sweeper onto a dusty surface and apply the parking brake.
- Lower the main brush (lever set to middle position) and allow it to brush the floor for several seconds.
- Raise the main brush and drive backwards a short distance with the bulk waste flap open (first release the parking brake).
- The width of the sweeping pattern should be 30–50 mm.

**Note:**

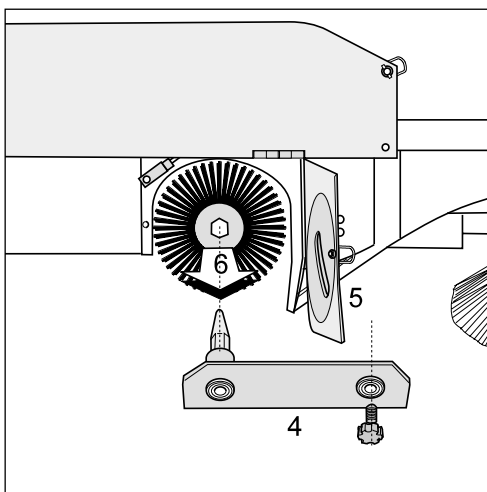
*The shape of the sweeping pattern should not be trapezoidal. If it is, call customer service.*



## Replacing the main brush roller

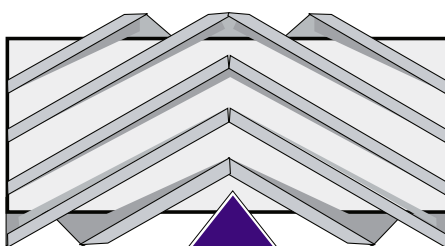


- Park the sweeper and switch off the engine
- Lower the brush roller.
- Open the RH side flap **1** (seen in direction of travel).
- Undo the retaining bolt on the lower forked head **2** and swivel the push rod towards the rear.
- Unscrew the knurled knob **3**.
- Remove the oscillating linkage **4**.



- Open the flap over the end of the brush roller **5** (turn-lock fastener).
- Pull out the brush roller **6**.
- Screw in the knob for adjusting the sweeping pattern as far as it will go (clockwise, towards –).
- Fit the new brush roller in reverse order to the removal procedure.

Brush roller seen from above



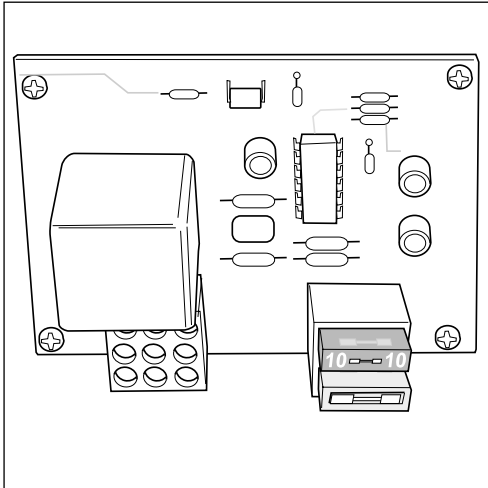
Direction of travel

**Note:**

*Make sure the bristles point in the right direction – see illustration.*

- Set up the sweeping pattern by turning the adjusting knob – see “Adjusting the sweeping pattern”.

## Replacing fuses

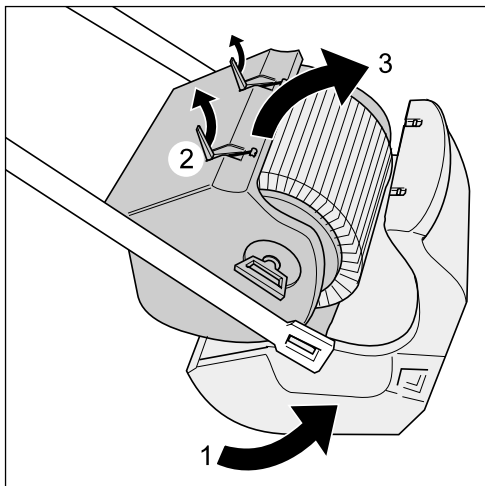


- Park the sweeper and switch off the engine.
- Open the unit cover.
- Replace defective fuses by a fuse having the same current rating.

### Note:

*Multiple defects with the same fuse mean technical faults in the electrical system. Please call Kärcher customer service.*

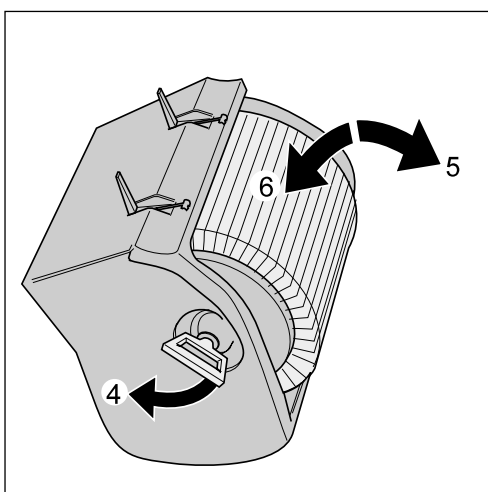
## Replacing the dust filters



The dust filters should be inspected for damage every 50 operating hours.

A significant build-up of dust at the air outlet from the fan is a sign of a filter that is not fitted properly or is defective.

- Raise the hopper half way **1**.
- Release the catches on the filter box **2**.
- Swivel the filter box forwards and lift it off **3**.



- Open out the handle, pull it outwards and turn it through 90° (make sure it engages) **4**.
- Remove the filter cartridge **5**.
- Insert a new filter cartridge (pins should fit into the holes) **6**.
- Turn the handle back to its original position and make sure it locks in place.
- Mount the filter box and engage the catches.



## Troubleshooting

Problem	Possible cause	Remedy
<b>Engine does not start</b>	Battery is flat	Recharge or replace battery
	No fuel in tank	Fill up with petrol
	Fuel tap is set to OFF	Open fuel tap
	Seat contact switch not pressed	Sit down on the seat of the sweeper
<b>Sweeper does not move</b>	Lever (bypass valve) on converter transmission is open	Push lever in opposite direction to travel – see “Pushing the sweeper by hand”
<b>Brushes do not rotate</b>	V-belt has snapped	Call Customer Service
	V-belt is loose	Check belt tension and adjust as required
	Main brush or side brush has been jammed by packing bands or similar item	Remove blockage
<b>No dust extraction</b>	Fan is not working	Check V-belt
	Filter is blocked	Clean or replace filters
<b>Poor sweeping results</b>	Brushes are worn down	Replace brushes
	Waste hopper is full	Empty waste hopper
	Incorrect sweeping pattern	Adjust sweeping pattern
<b>Dust is stirred up during sweeping</b>	Worn out seals on sweeper, filter not fitted properly or defective	Replace defective seals; fit filter correctly or replace it
<b>Lifting mechanism for emptying hopper does not work</b>	Fuse has blown	Replace fuse or inform Customer Service if fuse blows repeatedly
	Defective switch	Inform Customer Service
	Defective hydraulic unit	Inform Customer Service
<b>Sweeper travels forwards or backwards even though drive pedal is not pressed</b>	Neutral position not set up correctly	Inform Customer Service

## Technical specifications

### Dimensions and weights

Length	1.650 mm
Width	1.000 mm
Height	1.270 mm
Unladen weight (ready for operation)	450 kg
Max. permissible overall weight	600 kg

### Driving and sweeping performance

Max. travelling speed	6 km/h
Max. climbing ability/gradient	18 %
Effective sweeping width.	
without side brush	750 mm
with 1 side brush	1.000 mm
with 2 side brushes	1.300 mm
<u>Area rating (theoretical)</u>	
without side brush	6.000 m <sup>2</sup> /h
with 1 side brush	8.000 m <sup>2</sup> /h
with 2 side brushes	10.400 m <sup>2</sup> /h

### Waste container

Theoretical capacity	100 L
Max. usable capacity	80 L
Lifting height	1.430 mm
Filter surface area	6 m <sup>2</sup>

### Sweeping unit

Brush roller with V-shaped rows of bristles	
Diameter of brush roller	285 mm
Diameter of side brush	450 mm

### Vehicle tyres

	Pneumatic
Diameter	300 mm
	4.00-4
Air pressure, front	6 bar
Air pressure, rear	6 bar

### Lighting

Light unit	DIN 49848
	HS3 6V/2,4 W

### Engine

Model	Yanmar L70AE-DE
Type	4-stroke
Cylinders	1
Capacity	296 cm <sup>3</sup>
Output (5,9 HP at 3600 r.p.m.)	4,4 kW
Fuel, diesel	3.3 L

### Engine oil

SAE15W40	1,1 L
<u>Battery</u>	12 Volt
	44 Ah

### Starter

electric

### Drive system

Maintenance-free, fully enclosed hydrostatically driven axle with differential

### Hydraulic fluid

Class	DIN HVLP 51524/2
	46 c St /4 °C
Capacity *	1,4 L

\* We recommend Wintershall Violan HV 46

### Hydraulic Fluid.

### Degree of Protection (IEC)

drip proof IPX3

### Ambient conditions

Temperature	-5 to + 40 °C
Air humidity, not wet with dew	0 - 90 %

### Operating cycle

Under favourable conditions, the sweeper has an operating cycle of 3 hours with a full fuel tank at the start. The actual time is dependent upon several factors:

- surface structure of the ground and how level it is
- how well the sweeper has been maintained
- type of brush roller and its degree of wear.

### Noise emission

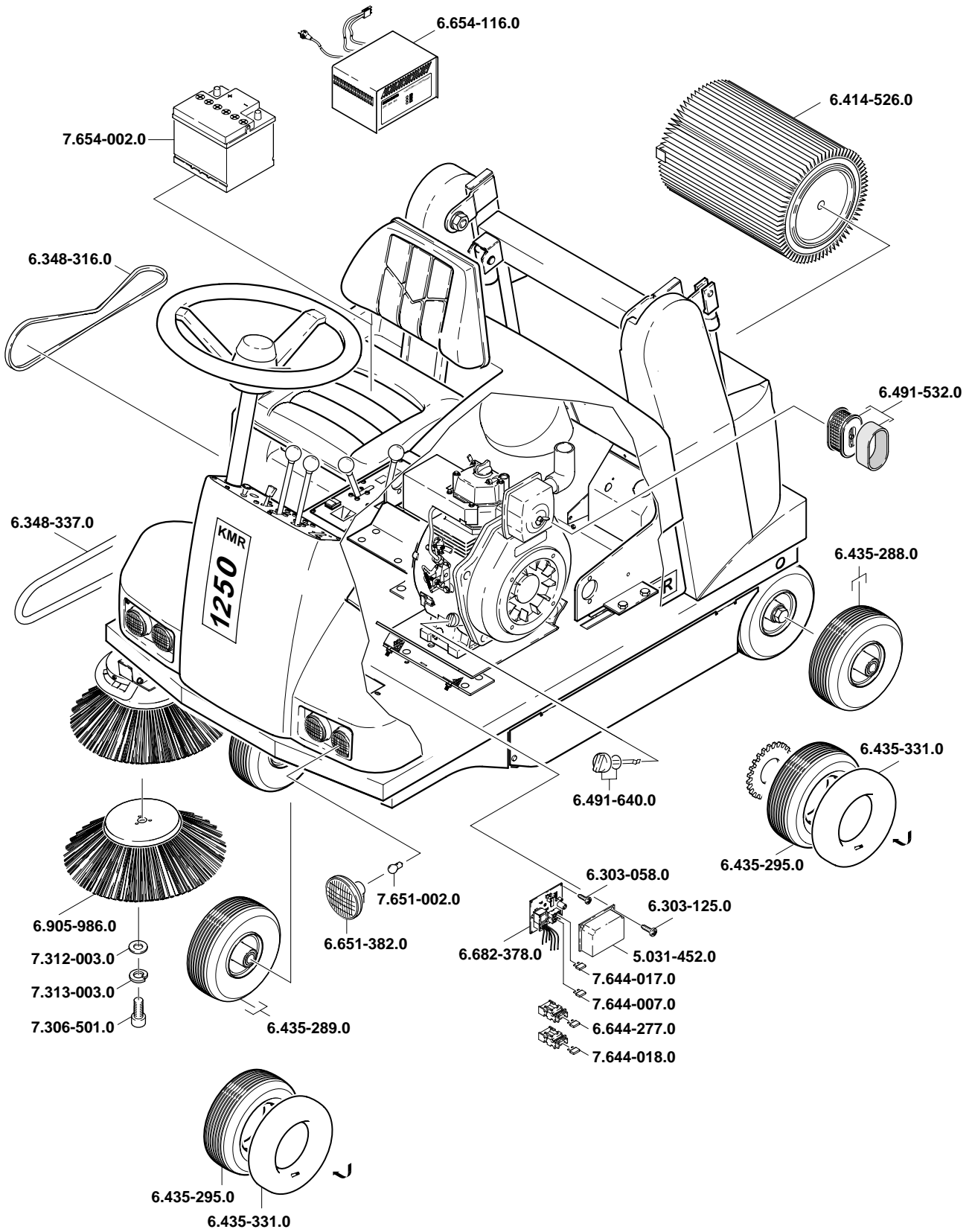
Sound level (EN 60704-1)	83,5 dB(A)
Guaranteed noise level (2000/14/EC)	101 dB(A)

### Machine vibration

Rated vibration value (ISO 5349)	< 2,5 m/s <sup>2</sup>
----------------------------------	------------------------

# KMR 1250 D

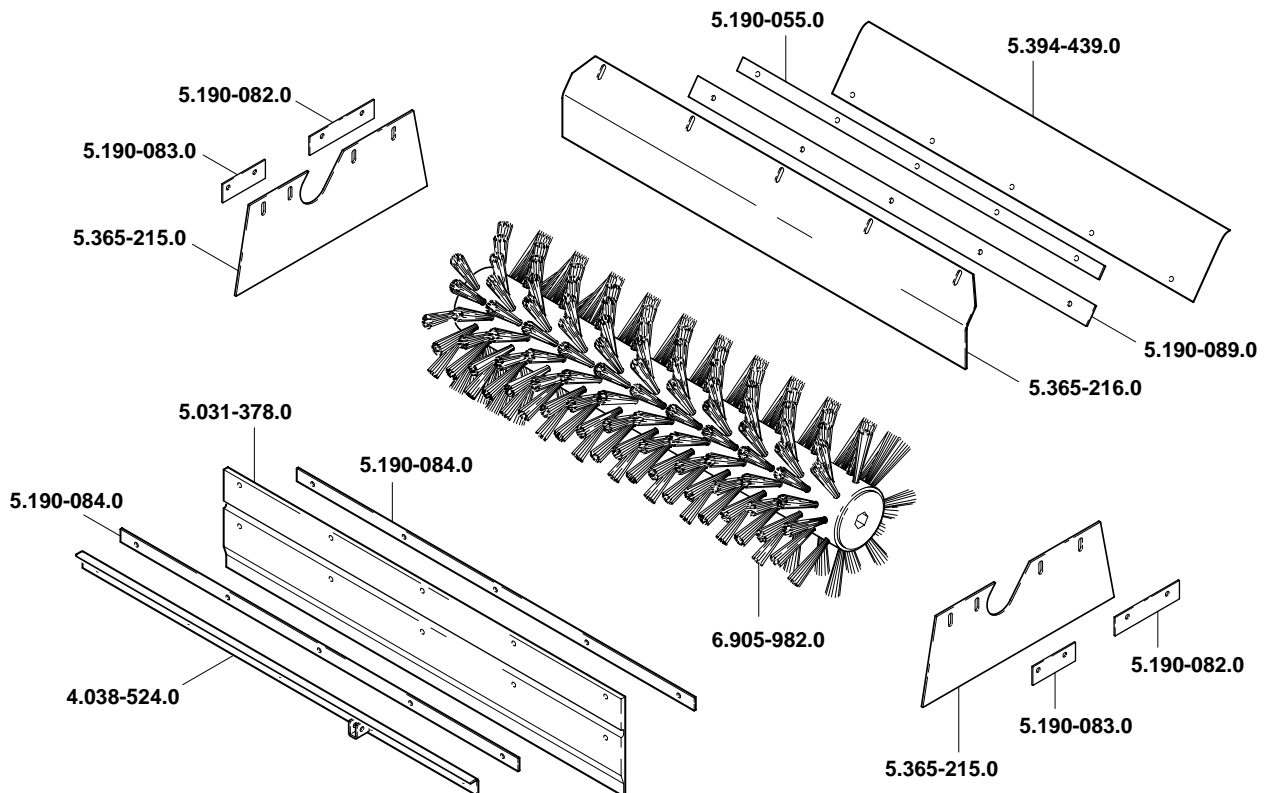
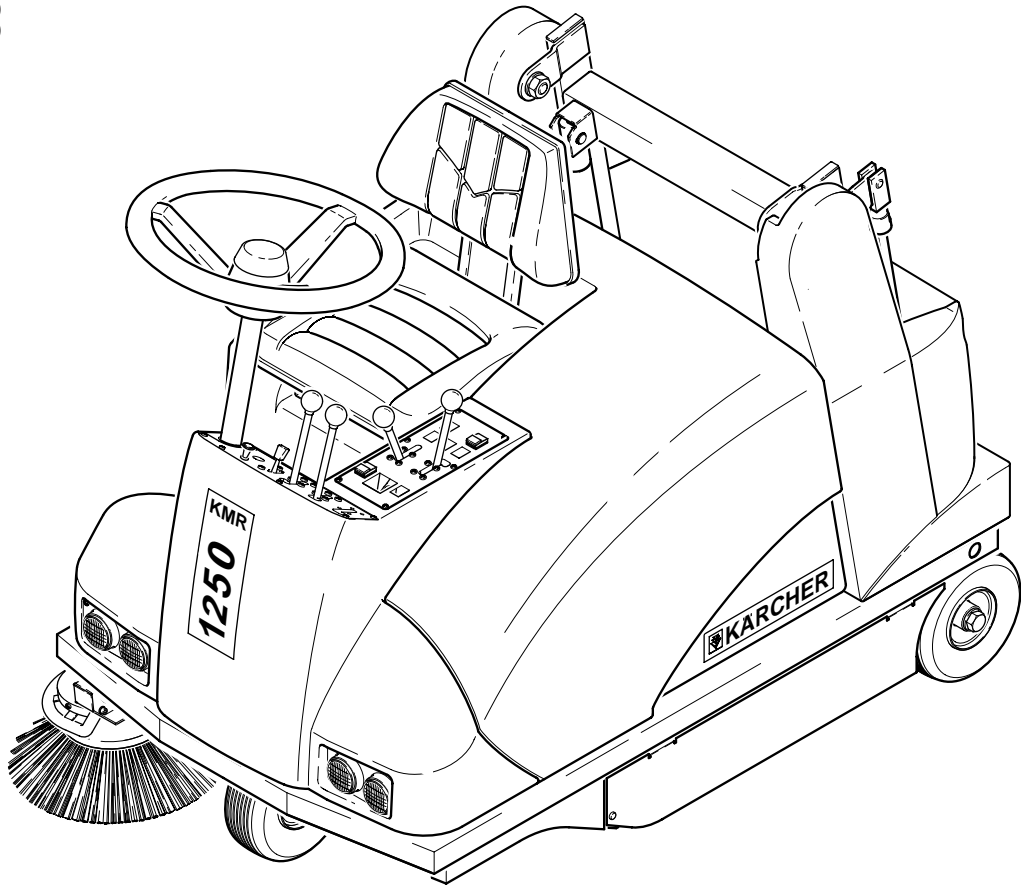
1.091-114.0  
1.091-134.0



06/99 - 01/02

# KMR 1250 D

1.091-114.0  
1.091-134.0



06/99 - 02/02



### EG - KONFORMITÄTSERKLÄRUNG

Hiermit erklären wir, daß die nachfolgend bezeichnete Maschine aufgrund ihrer Konzipierung und Bauart sowie in der von uns in Verkehr gebrachten Ausführung den einschlägigen grundlegenden Sicherheits- und Gesundheitsanforderungen den unten aufgeführten EG-Richtlinien entspricht. Bei einer nicht mit uns abgestimmten Änderung der Maschine verliert diese Erklärung ihre Gültigkeit.

**Produkt:** Kehrsaugmaschine / Aufsitzgerät

**Typ:** 1.091-xxx

#### Einschlägige EG-Richtlinien

EG-Maschinenrichtlinie (98/37/EG)  
EG-Richtlinie Elektromagnetische Verträglichkeit (89/339/EWG)  
geändert durch 91/263/EWG, 92/31/EWG, 93/68/EWG  
EG-Richtlinie über Geräuschemissionen (2000/14/EU)

**Angewandte harmonisierte Normen:**  
DIN EN 60335-1, DIN EN 60335-2-72, DIN EN 55 014-2:1997

**Angewandte nationale Normen:**  
CISPR 12

**Angewandtes Konformitäts- Bewertungsverfahren**  
Anhang V

**Messener Schalleistungsspiegel:**  
99 dB(A)

**Garantierter Schalleistungsspiegel:**  
101 dB(A)

Prüfungssätze des Hauptverbandes der gewerblichen Berufsgenossenschaft, Kehrsaugmaschinen  
Es ist durch interne Maßnahmen sichergestellt, daß die Seriengeräte immer den Anforderungen der aktuellen EG-Richtlinien und den angewandten Normen entsprechen.  
Die Unterzeichnenden handeln im Auftrag und mit Vollmacht der Geschäftsführung.



### EU DECLARATION OF CONFORMITY

We hereby declare that the equipment described below conforms to the relevant fundamental safety and health requirements of the appropriate EU Directives, both in its basic design and construction as well as in the version marketed by us.  
This declaration will cease to be valid if any modifications are made to the machine without our express approval.

**Product:** Sweeper / Ride-on unit

**Model:** 1.091-xxx

#### Relevant EU Directives:

EU Machinery Directive (98/37/EG)  
EU Directive on Electromagnetic Compatibility (89/339/EWG)  
amended by 91/263/EWG, 92/31/EWG, 93/68/EWG  
EU guideline on noise emissions (2000/14/EU)

**Harmonised standards applied:**  
DIN EN 60335-1, DIN EN 60335-2-72, DIN EN 55 014-2:1997

**Relevant EU Directives:**  
CISPR 12

**Applied conformity valuation method**  
Appendix V

**Measured noise level:**  
99 dB(A)

**Guaranteed noise level:**  
101 dB(A)

Appropriate internal measures have been taken to ensure that series-production units conform at all times to the requirements of current EU Directives and relevant standards.  
The signatories are empowered to represent and act on behalf of the company management.



### DÉCLARATION DE CONFORMITÉ EUROPÉENNE

Par la présente, nous déclarons que la machine ci-après répond, de par sa conception et sa construction ainsi que de par le modèle que nous avons mis sur le marché, aux exigences de sécurité et d'hygiène en vigueur de la directive européenne.  
En cas de modification de la machine effectuée sans notre accord, cette déclaration sera caduque.

**Produit:** Balayeuse / machine autoporteuse

**Type:** 1.091-xxx

#### Directives européennes en vigueur:

Directive européenne sur les machines (98/37/EG)  
Directive européenne sur la compatibilité électromagnétique (89/339/EWG) modifiée par 91/263/EWG, 92/31/EWG, 93/68/EWG  
Directive CE relative aux émissions sonores (2000/14/UE)

**Normes harmonisées appliquées:**  
DIN EN 60335-1, DIN EN 60335-2-72, DIN EN 55 014-2:1997

**Normes nationales appliquées:**  
CISPR 12

**Procédure d'analyse de conformité utilisée**  
Annexe V

**Niveau de puissance sonore mesuré:**  
99 dB(A)

**Niveau de puissance sonore garanti:**  
101 dB(A)

La conformité permanente des appareils de série avec les exigences consignées dans les directives actuelles de la CE et avec les normes appliquées est garantie par des mesures internes.  
Les soussignés agissent par ordre et avec les pleins pouvoirs de la Direction commerciale.



### DICHIARAZIONE DI CONFORMITÀ CE

Dichiaro con la presente, che la macchina qui di seguito indicata, in base alla sua concezione e al tipo di costruzione, e nella versione da noi introdotta sul mercato, è conforme ai relativi requisiti fondamentali di sicurezza e di sanità delle direttive della CE.  
In caso di modifica apportate alla macchina senza il nostro accordo, questa dichiarazione perde la sua validità.

**Prodotto:** Spazzatrice / macchina applicata

**Tipo:** 1.091-xxx

#### Directive CE pertinenti:

Directive macchine (98/37/EG)  
modificata dalle 91/263/EWG, 92/31/EWG, 93/68/EWG  
Directive CE sulle emissioni acustiche (2000/14/UE)

**Norme armonizzate applicate:**  
DIN EN 60335-1, DIN EN 60335-2-72, DIN EN 55 014-2:1997

**Norme nazionali applicate:**  
CISPR 12

**Metodo di valutazione conformità utilizzato**  
Allegato V

**Livello potenza sonora misurato:**  
99 dB(A)

**Livello potenza sonora garantito:**  
101 dB(A)

Mediante accorgimenti interni, è stato assicurato che gli apparecchi di serie siano sempre conformi ai requisiti delle attuali direttive CE e alle norme applicate.  
I firmatari agiscono su incarico e con i poteri dell'Amministrazione.



## EU-CONFORMITEITSVERKLARING

Hiermee verklaren wij dat de hierna vermelde machine op grond van haar constructie en in de door ons in omloop gebrachte uitvoering beantwoordt aan de desbetreffende veiligheids- en gezondheidsvoorschriften van de EG-richtlijnen.

Na een wijziging aan de machine die niet in overleg met ons wordt uitgevoerd, verliest deze verklaring haar geld.

**Produkt: veegmachine / machine met stoel**

**Type: 1.091-xxx**

### Desbetreffende EG-richtlijn:

EG-machinerichtlijn (98/37/EG)  
EG-richtlijn elektromagnetische verenigbaarheid (89/336/EEWG) gewijzigd door 91/263/EEWG, 92/31/EEWG, 93/68/EEWG  
EG-richtlijn t.a.v. geluidsemissies (2000/14/EU)

**Toegepaste geharmoniseerde normen:**  
DIN EN 60335-1, DIN EN 60335-2-72, DIN EN 55 014-2:1997

### Toegepaste nationale normen:

CISPR 12

### Toegepaste conformiteits-beoordelingsprocedure

Bilgele V

Gemeten geluidsniveau:

99 dB(A)

Geгарanteerd geluidsniveau:

101 dB(A)

Door interne maatregelen is er voor gezorgd dat de standaard-apparaten altijd beantwoorden aan de eisen van de actuele richtlijnen en de toegepaste normen.

De ondergetekenden handelen in opdracht en op volmacht van de bedrijfsleiding.



## Διήλωση πιστότητας εκ

Επιεί, δηλώνουμε με την παρούσα, ότι το μηχανήμα που χαρακτηρίζεται παρακάτω, λόγω του σχεδιασμού και του τρόπου κατασκευής, όπως και λόγω της παραλλαγής που διατίθεται από μας στην αγορά, ανταποκρίνεται στις σχετικές βασικές απαιτήσεις ασφαλείας και υγιεινής των Οδηγιών ΕΚ. Σε περίπτωση αλλαγών στο μηχανήμα χωρίς προηγούμενη συνεννόηση μαζί μας, παύει να ισχύει η παρούσα δήλωση.

Προσών: Μηχανική ακούσμα/ Μηχανή καθαρισμού με θέση για τον οδηγό

Τύπος: 1.091-xxx

### Σχετικές Οδηγίες ΕΚ:

Οδηγία ΕΚ σχετικά με τις μηχανές (98/37/ΕΓ)  
Οδηγία ΕΚ περί ηλεκτρομαγνητικής συμβατότητας (89/336/ΕΩ(Γ)) που τροποποιήθηκε με την Οδηγία 91/263/ΕΩ(Γ), 92/31/ΕΩ(Γ), 93/68/ΕΩ(Γ)  
Οδηγία ΕΚ περί Εκπομπές Θορύβων (2000/14/ΕΕ)

Εναρμονισμένα πρότυπα που έχουν εφαρμοσθεί:  
DIN EN 60335-1, DIN EN 60335-2-72, DIN EN 55 014-2:1997

### Εθνικά πρότυπα που έχουν εφαρμοσθεί:

CISPR 12

Εφαρμοσθείσα μέθοδος αξιολόγησης συμμορφωσης Παραρτήμα V

Μετρήθεια στάθμης ακουστικής πίεσης:

99 dB(A)

Διασφαλισμένη στάθμη ακουστικής πίεσης:

101 dB(A)

Με ληφθέντα εσωτερικά μέτρα έχει εξασφαλισθεί, ότι οι συσκευές σειράς κατασκευής ανταποκρίνονται πάντα στις απαιτήσεις των επικείμενων οδηγιών ΕΚ και στα εφαρμοσθέντα πρότυπα. Οι υπαγράφωντες ενεργούν με εντολή και κατόπιν εξουσιοδότησης της Γενικής Διεύθυνσης.



## ΦΟΡΣΑΚΡΑΝ ΟΜΙ ÖVERENSSTÄMMELSE

Härmed försäkrar vi att den enligt nedan angivna maskinen till konstruktion, byggnads sätt och i av oss levererat utförande motsvarar tillämpliga bakravn beträffande säkerhet och hälsa enligt EU-direktiven. Vid ändringar på maskinen som icke avtalats med oss upphör denna försäkran att gälla.

**Produkt: Sopmaskin / Sopåkmaskin**

**Type: 1.091-xxx**

### Tillämpliga EU-direktiv:

EG maskindirektiv (98/37/EG)  
EG direktiv för elverksämlighet (89/336/EEWG)  
ändrat genom 91/263/EEWG, 92/31/EEWG, 93/68/EEWG  
EG-direktiv över ljudemissioner (2000/14/EU)

### Tillämpade harmoniserade normer:

DIN EN 60335-1, DIN EN 60335-2-72, DIN EN 55 014-2:1997

### Tillämpade nationella normer:

CISPR 12

### Använt förfarande för utvärdering av överensstämmelse

Bilaga V

Uppmätt ljudeffekt snivå:

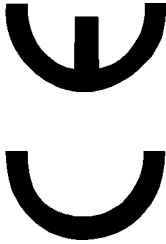
99 dB(A)

Garanterad ljudeffekt snivå:

101 dB(A)

Vi har genom interna åtgärder säkerställt, att serie tillverkade maskiner alltid motsvarar aktuella EU-direktiv och tillämpade normer.

De undertecknade agerar på uppdrag av och med fullmakt av företagsledningen.



5.957-501 (01/02)

Alfred Kärcher Kommanditgesellschaft,  
Stiz Wirmenden, Registergericht: Waiblingen, HRA 169.  
Personlich haftende Gesellschafterin: Kärcher Reinigungslechnik GmbH, Stiz Wirmenden, 2404 Registergericht Waiblingen, HRB

Gesellschaftsführer:

Dr. Bernhard Graf, Hartmut Jenner, Georg Metz

Alfred Kärcher GmbH & Co.

Cleaning Systems

Alfred-Kärcher-Straße 28-40

P. O. Box 160

D-71349 Winnenden

Tel.: ++49 7195 140

Fax: ++49 7195 14-2212

(Reiser

Jenner)

## Free Manuals Download Website

<http://myh66.com>

<http://usermanuals.us>

<http://www.somanuals.com>

<http://www.4manuals.cc>

<http://www.manual-lib.com>

<http://www.404manual.com>

<http://www.luxmanual.com>

<http://aubethermostatmanual.com>

Golf course search by state

<http://golfingnear.com>

Email search by domain

<http://emailbydomain.com>

Auto manuals search

<http://auto.somanuals.com>

TV manuals search

<http://tv.somanuals.com>