

KAWAI

DIGITAL PIANO

ES3/ES5

OWNER'S MANUAL

Important Safety Instructions

SAVE THESE INSTRUCTIONS

INSTRUCTIONS PERTAINING TO A RISK OF FIRE, ELECTRIC SHOCK, OR INJURY TO PERSONS



WARNING
TO REDUCE THE RISK OF
FIRE OR ELECTRIC
SHOCK, DO NOT EXPOSE
THIS PRODUCT TO RAIN
OR MOISTURE.

AVIS : RISQUE DE CHOC ELECTRIQUE - NE PAS OUVRIR.

TO REDUCE THE RISK OF ELECTRIC SHOCK, DO NOT REMOVE COVER (OR BACK).
NO USER-SERVICEABLE PARTS INSIDE. REFER SERVICING TO QUALIFIED SERVICE PERSONNEL.



The lightning flash with arrowhead symbol, within an equilateral triangle, is intended to alert the user to the presence of uninsulated "dangerous voltage" within the product's enclosure that may be of sufficient magnitude to constitute a risk of electric shock to persons.



The exclamation point within an equilateral triangle is intended to alert the user to the presence of important operating and maintenance (servicing) instructions in the literature accompanying the product.

Examples of Picture Symbols



denotes that care should be taken.
The example instructs the user to take care not to allow fingers to be trapped.



denotes a prohibited operation.
The example instructs that disassembly of the product is prohibited.



denotes an operation that should be carried out.
The example instructs the user to remove the power cord plug from the AC outlet.

Read all the instructions before using the product.

WARNING - When using electric products, basic precautions should always be followed, including the following.



WARNING Indicates a potential hazard that could result in death or serious injury if the product is handled incorrectly.

The product should be connected to an AC outlet of the specified voltage.



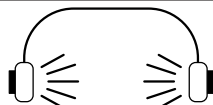
- Use the AC adapter supplied with the product or one recommended by Kawai.
- If you are going to use an AC power cord, make sure that its has the correct plug shape and conforms to the specified power voltage.
- Failure to do so may result in fire.

Do not insert or disconnect the power cord plug with wet hands.



Doing so may cause electric shock.

When using the headphones, do not listen for long periods of time at high volume levels.



Doing so may result in hearing problems.

Do not disassemble, repair or modify the product.



Doing so may result in product breakdown, electric shock or short-circuit.

When disconnecting the AC power cord's plug, always hold the plug and pull it to remove it.



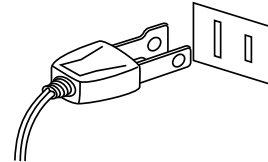
● Pulling the AC power cord itself may damage the cord, causing a fire, electric shock or short-circuit.

If the product will not be used for a long time, unplug the AC power cord from the AC outlet.



● Failure to do so may cause fire in case of lightning.
● Failure to do so may over-heat the product, resulting in fire.

This product may be equipped with a polarized line plug (one blade wider than the other). This is a safety feature. If you are unable to insert the plug into the outlet, contact an electrician to replace your obsolete outlet. Do not defeat the safety purpose of the plug.



CAUTION

Indicates a potential hazard that could result in injury or damage to the product or other

Do not use the product in the following areas.

- Areas, such as those near windows, where the product is exposed to direct sunlight
- Extremely hot areas, such as near a heater
- Extremely cold areas, such as outside
- Extremely humid areas
- Areas where a large amount of sand or dust is present
- Areas where the product is exposed to excessive vibrations

Using the product in such areas may result in product breakdown.

Before connecting cords, make sure that the power to this product and other devices is turned OFF.



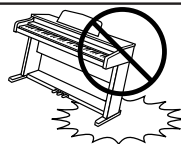
Failure to do so may cause breakdown of this product and other devices.

Take care not to allow any foreign matter to enter the product.



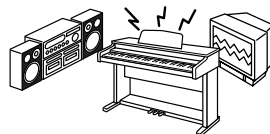
Entry of water, needles or hair pins may result in breakdown or short-circuit.

Do not drag the product on the floor. Take care not to drop the product.



Please lift up the product when moving it. Please note that the product is heavy and must be carried by more than two persons. Dropping the product may result in breakdown.

Do not place the product near electrical appliances such as TVs and radios.



● Doing so may cause the product to generate noise.
● If the product generates noise, move the product sufficiently away from the electrical appliance or connect it to another AC outlet.

When connecting the AC power cord and other cords, take care not to get them tangled.



Failure to do so may damage them, resulting in fire, electric shock or short-circuit.

Do not wipe the product with benzene or thinner.



- Doing so may result in discoloration or deformation of the product.
- When cleaning the product, put a soft cloth in lukewarm water, squeeze it well, then wipe the product.

Do not stand on the product or exert excessive force.



- Doing so may cause the product to become deformed or fall over, resulting in breakdown or injury.

The product should be located so that its location or position does not interfere with its proper ventilation.

The product should be serviced by qualified service personnel when:

- The power supply cord or the plug has been damaged.
- Objects have fallen, or liquid has been spilled into the product.
- The product has been exposed to rain.
- The product does not appear to operate normally or exhibits a marked change in performance.
- The product has been dropped, or the enclosure damaged.

Notes on Repair

Should an abnormality occur in the product, immediately turn the power OFF, disconnect the power cord plug, and then contact the shop from which the product was purchased.

- **This digital piano is for household use and is not intended for commercial use.**

CAUTION:

To prevent electric shock, match wide blade of plug to wide slot, fully insert.

ATTENTION:

Pour éviter les chocs électriques, introduire la lame la plus large de la fiche dans la borne correspondante de la prise et pousser jusqu'au fond.

Instruction for AC power cord (U.K.)

Do not plug either terminal of the power cord to the ground of the AC outlet on the wall.

FCC Information

This equipment has been tested and found to comply with the limits for a Class B digital device, pursuant to Part 15 of the FCC Rules. These limits are designed to provide reasonable protection against harmful interference in a residential installation. This equipment generates, uses and can radiate radio frequency energy and, if not installed and used in accordance with the instructions, may cause harmful interference to radio communications.

If this equipment does cause harmful interference to radio or television reception, which can be determined by turning the equipment off and on, the user is encouraged to try to correct the interference by one or more of the following measures:

- Reorient or relocate the receiving antenna.
- Increase the separation between the equipment and receiver.
- Connect the equipment into an outlet on a different electrical circuit from the receiver.
- Consult the dealer or an experienced radio/TV technician for help.

Canadian Radio Interference Regulations

This instrument complies with the limits for a class B digital apparatus, pursuant to the Radio Interference Regulations, C.R.C., c. 1374.

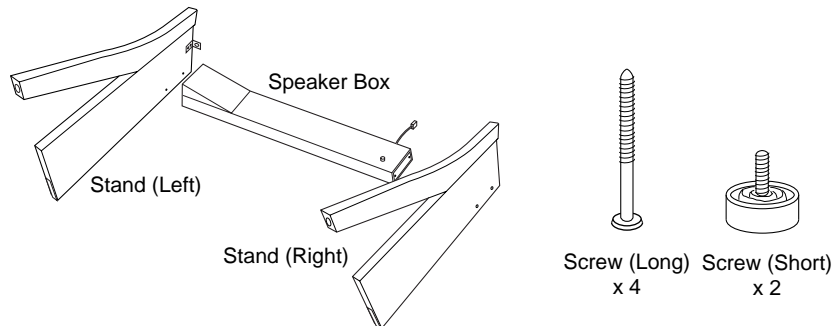
Thank you for choosing this Kawai ES3/5 Digital Piano.
 Your new ES3/5 is a high-quality instrument offering the very latest in leading-edge music technology.
 This manual contains valuable information that will help you make full use of your ES3/5's many capabilities. Please read it carefully and keep it handy for further reference.

TABLE OF CONTENTS

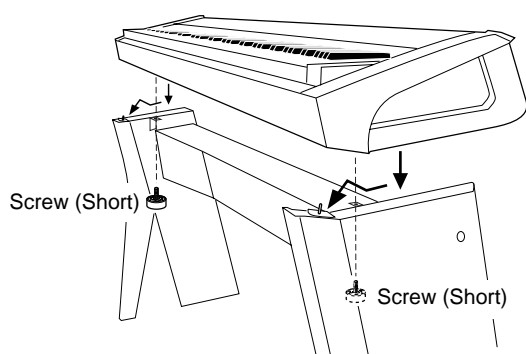
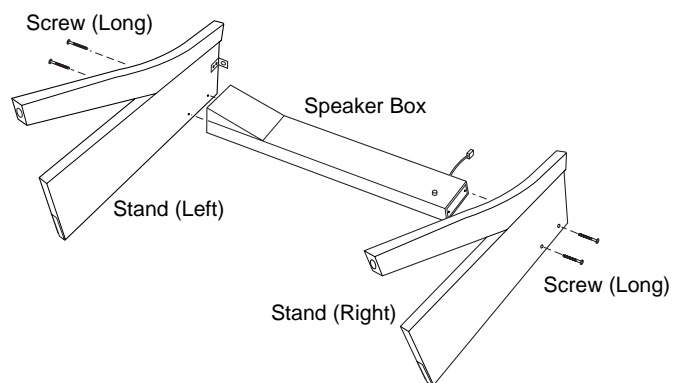
	Page
Assembling The Stand (ES5 only)	6
Part Names	8
Getting Started	
1. Basic Operations	12
2. Transpose	14
3. Touch Response	14
4. Registration	15
Digital Recording Functions	
1. Easy Recording	16
2. Playing Back A Song	17
3. Advanced Recording/Playback Functions	17
4. Deleting A Song/Track	18
Function Mode	
1. Brilliance	20
2. Tuning	20
3. Voicing	21
4. Sympathetic Resonance	21
5. Temperament	22
6. Memory Backup	24
7. Lower Octave Shift	24
8. MIDI Channel	24
9. Transmitting Program Change Number	24
10. MIDI Local Control On/Off	25
11. Transmit Program Change On/Off	25
12. Turning Multi-Timbral mode On/Off	25
13. Channel Mute	26
14. Lower Pedal On/Off	26
MIDI	27
Program Change Number Mapping	29
Demo Song List	30
Rhythm List (ES5 only)	30
Drum Sound Mapping (ES5 only)	31
Specifications	32
MIDI Implementation Chart	33

ASSEMBLING THE STAND (ES5 ONLY)

Before beginning the assembly of your ES5, read and become familiar with the assembly instructions that follow. Then, carefully unpack the piano and check your unit against the parts shown below.



1. Fasten the stands and the speaker box with four screws (long). The metal brackets on the top of the stand should face inside.



2. Place the piano carefully on top of the stand so that about one-third of the front top edge of the stand is exposed. Then slightly lift the front of the piano and slide it forward. Fit the pins on top of the stand into the holes on the bottom of the piano. Fasten the piano and the stand with two screws (short).

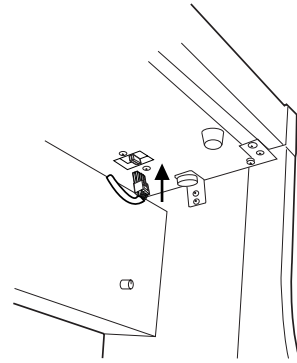
CAUTION:

Be sure to secure the piano to the stand with the screws. If you fail to do so, the piano could fall from the stand causing damage or personal injury.

3. Insert the speaker cord that comes from the speaker box into the piano's speaker jack.

CAUTION:

Make sure to turn off the power before connecting the speaker cord.



PART NAMES

Master Volume Slider (A)

Move the volume slider to the right to increase the instrument's volume. Move the slider to the left to decrease the volume.

Demo Button (B)

Press this button to start the demo. To stop the demo, press this button again. See page 12 for details.

Split Button (C)

The split function divides the keyboard into two sections—upper and lower—and lets you play each part with a different sound. See page 13 for details.

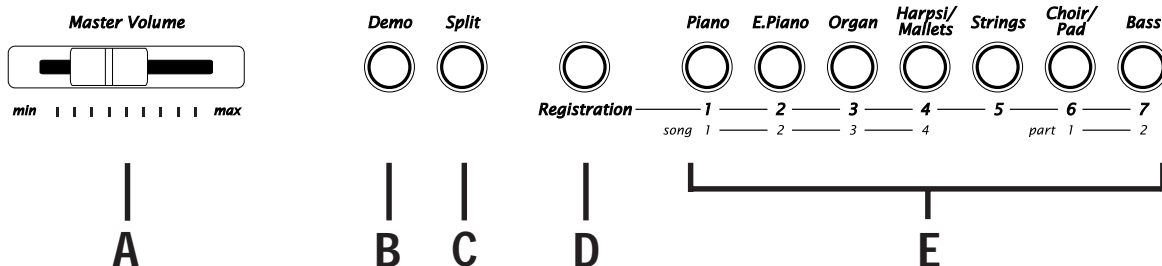
Registration Button (D)

Use this button to memorize your favourite panel settings up to seven settings and to recall them. See page 15 for details.

Sound Buttons (E)

Select the desired instrument by pressing the appropriate button. The ES3 has three (four for ES5) sounds assigned for each Sound button. When a Sound button is pressed, the variation number is briefly shown in the display. Pressing the same Sound button again will select the next variation sound assigned to the Sound button.

FRONT PANEL



Balance/Value Buttons (F)

Normally pressing these buttons will change the current sound to the next sound or previous sound through all the preset sounds assigned to the seven Sound buttons. However, when in Dual or Split mode, these buttons work as balance adjuster for the two selected sounds. When changing settings of various functions, these buttons work as value up/down buttons. When the Metronome is running, use these buttons to change the tempo.

Effects Button (G)

Press this button to add effect. The LED indicator is lit when the effect is on. Press it again to turn the effect off. The effect type can be changed. See page 13 for details.

Reverb Button (H)

Press this button to add reverb. The LED indicator is lit when the reverb is on. Press it again to turn the reverb off. The reverb type can be changed. See page 13 for details.

Metronome (Rhythm/Metronome) Button (I)

Press this button to start metronome. Pressing again will stop metronome. The beat (time signature) can be changed. In addition, various rhythm styles can be selected for ES5. See page 16 for details.

Recorder Buttons (J)

You can record and play back up to four songs.

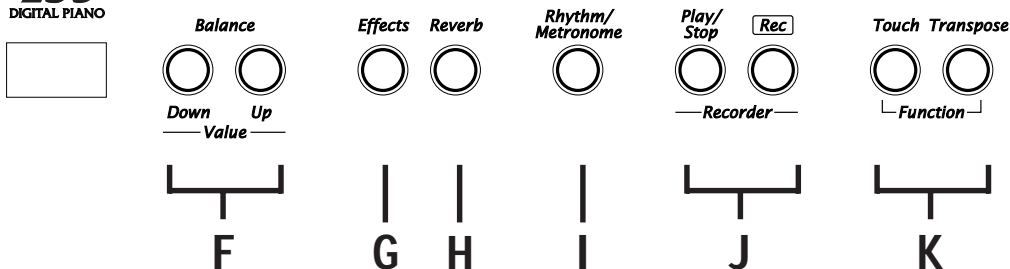
-Play/Stop button: Used to play back and stop a recorded song.

-Rec button: Used to start recording a song.

Function Buttons (K)

Use these buttons to select a touch type, transpose the keyboard, or control other features (including MIDI functions). See page 20 for details.

KAWAI
ES5
DIGITAL PIANO



[ES5]

MIDI Jacks (L)

Use these jacks to connect the ES3/5 with external MIDI devices.

USB Jack (M)

This jack is used to connect with a personal computer and exchange MIDI data.

PEDAL Jack (N)

Connect the enclosed F-1r pedal to this jack. You can also connect the optional F-2r pedal (2 pedals, Damper & Soft).

SPEAKER Switch (O)

This switch turns the built-in speakers on and off.

LINE IN STEREO Jack (P)

Connect a CD player etc. with stereo mini plug.

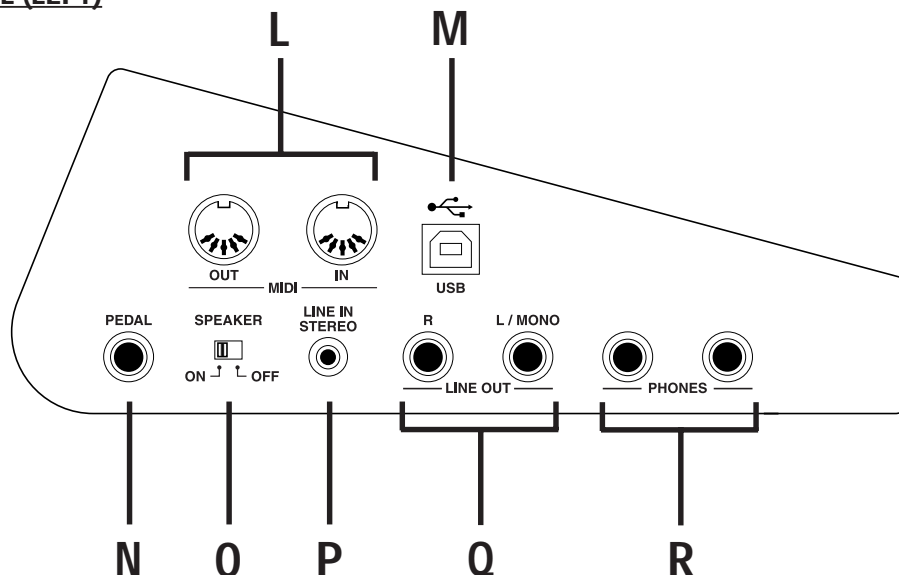
LINE OUT Jacks (Q)

Connect an external amplifier and speakers, or a cassette recorder to these jacks.

PHONES Jacks (R)

Used to connect up to two headphones to the ES3/5.

SIDE PANEL (LEFT)



POWER Button (S)

This button turns the instrument on and off. Be sure to turn off the instrument when you are finished playing.

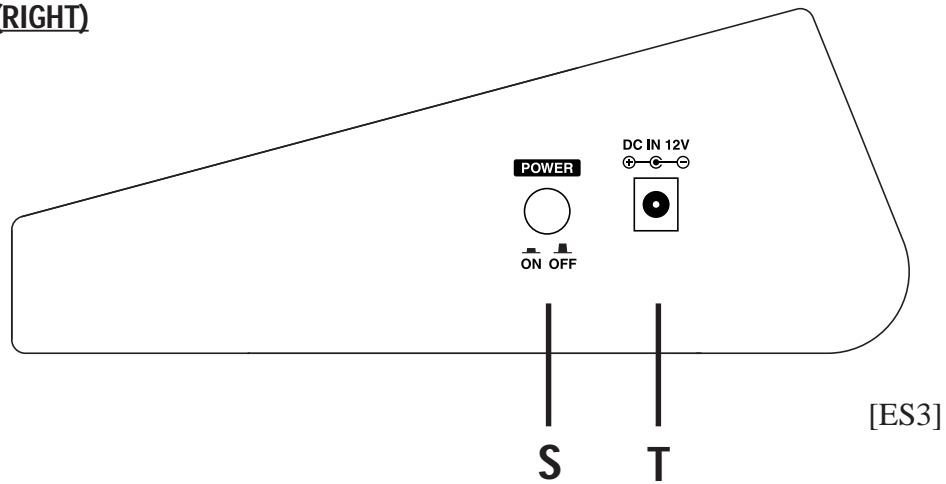
AC Adaptor Jack (ES3) / Power Cable Jack (ES5) (T)

Connect the enclosed AC adaptor (ES3) / Power Cable (ES5) to this jack.

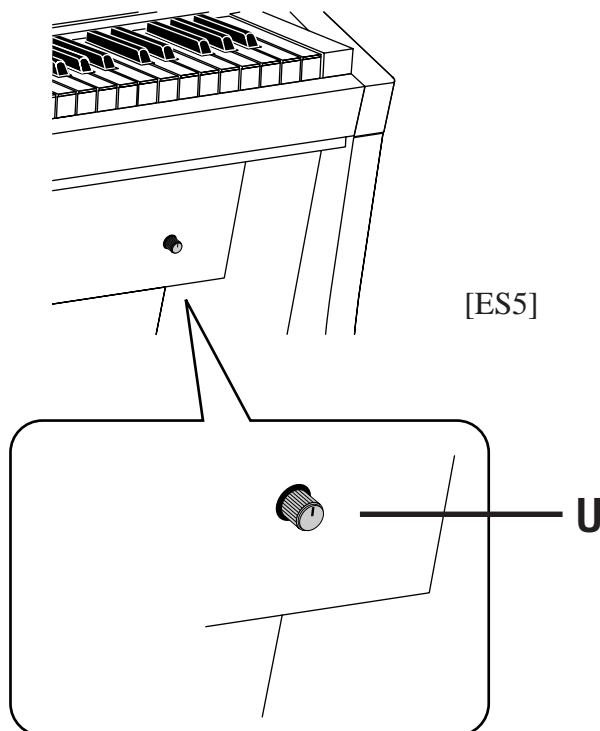
Woofer Volume Knob (ES5 only) (U)

Controls the volume of the woofer speaker.

SIDE PANEL (RIGHT)



WOOFER VOLUME



GETTING STARTED

1. BASIC OPERATIONS

(1) Turn on the power.

(2) Adjust the volume.

Play a note on the keyboard and adjust the volume (Moving the slider to the right raises the volume while moving to the left lowers it.)

Adjust the volume of the woofer speaker with the Woofer Volume Knob at the right front of the stand (ES5 only)

(3) Choose a sound.

Pressing a Sound button automatically changes the sound made by the ES3/5. The LED indicator of the selected sound button will light to indicate which sound is currently in being used.

The ES3 has three (four for ES5) sounds assigned for each Sound button. When a Sound button is pressed, the variation number is briefly shown in the display. Pressing the same Sound button again will select the next variation sound assigned to the Sound button.

(4) Play.

Experiment by playing the different sounds.

(5) Demo

[ES3]

The ES3 has 19 built in sound demos for your listening enjoyment. Press this button and the demo for Concert Grand will start. When the Concert Grand demo is finished, the ES3 will play all the other demos one at a time in random order. To select a specific demo, press the desired Sound button while the demo is playing. To stop the demo, press this button again.

[ES5]

The ES5 has a main demo and 23 built in sound demos for your listening enjoyment. Press this button and the first main demo will start. When the first main demo is finished, the ES5 will play the second main demo. If you want to skip to the second demo before the first demo is finished, press the Value Up button while the first demo is playing. After the two main demos are played, the ES5 will play the demo for Concert Grand. When the Concert Grand demo is finished, the ES5 will play all the other sound demos one at a time in random order. To select a specific demo, press the desired Sound button while the demo is playing. To stop the demo, press this button again.

(4) Dual

With Dual mode you can layer two sounds together. To layer two sounds, select the first sound and then, while holding down that Sound button, select the second sound by pressing another sound button. If you want to layer two sounds on the same Sound button, select the first sound and then, while holding down that Sound button, use the Value up/down buttons to select the second sound. To adjust the volume balance of the two sounds, use the Balance buttons. The default balance is 5-5.

NOTE:

When in Dual mode, the maximum polyphony will be reduced to 32 notes.

(5) Split

The split function divides the keyboard into two sections—upper and lower—and lets you play each part with a different sound. First select the desired sound for upper section. Then, while holding down the Split button, select the desired sound for the lower section. The LED Indicator for a lower sound will start flashing. To adjust the volume balance of the two sounds, use the Balance buttons.

(6) Effects

Adding an effect to the sound enhances tonal quality and improves acoustical realism. The ES3/5 piano is provided with seven different kind of effects.

To turn on the Effect, press the Effect button. The LED indicator of the Effect button will be lit to indicate the Effect is now on. Pressing the Effect button once again turns the Effect “OFF”.

To change the Effect type, use the Value buttons while holding down the Effect button. The LED display shows an abbreviation.



Chorus

CHORUS

Chorus is an effect that simulates the rich character of a vocal choir or string ensemble, by layering a slightly detuned version of the sound over the original to enrich it.



Delay 1

DELAY

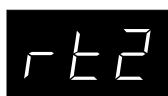
Delay is an effect that adds echoes to the sound. There are three types of delay available (delay 1 - 3), each of which has a different length of delay between the echoes.



Tremolo

TREMOLO

This is a vibrato type effect.



Rotary 2

ROTARY

This effect simulates the sound of the Rotary Speaker cabinet commonly used with electronic organs. Rotary 1 is normal rotary and Rotary 2 is with distortion effect. The speed of the rotor can be changed between SLOW and FAST by pressing both Value buttons at the same time. With optional F-2r foot pedal, the soft pedal is used to change the speed of the rotor as well.

(7) Reverb

Reverb adds reverberation to the sound, simulating the acoustic environment of a recital room, stage, or concert hall. There are Three types of reverb available. They are Room, Stage and Hall (listed in order of reverberation amount). To change the Reverb type, use the Value buttons while holding down the Reverb button. The LED display shows an abbreviation.



Room



Stage



Hall

(8) EQ

EQ changes overall sound character of the ES3/5. There are three types of EQ setting. To change the EQ type, press the Reverb button while holding down the Touch and Transpose buttons. The LED display shows “Eq” and the EQ number alternatively. Use the Value buttons to select the desired EQ.

	ES3	ES5
EQ 1	Recommended for normal playing circumstances like in a living room or classroom. With headphones, expansion effect turns on.	Recommended for normal playing circumstances like in living room or classroom. Also recommended when you play the ES5 using external speakers or for recording. With headphones, expansion effect turns on.
EQ 2	Recommended when you play with the ES3/5 facing a wall. With headphones, expansion effect turns on with high frequencies enhanced.	
EQ 3	Recommended when you play the ES3 using external speakers or for recording. With headphones, expansion effect doesn't turn on.	Recommended when you play the ES5 without stand. With headphones, expansion effect doesn't turn on.

EQ settings are global for all the preset sounds. You can not have an individual setting for each sound.

2. TRANPOSE

The transpose function lets you raise or lower the piano's key in half steps. This is especially useful when you have learned a song in one key and have to play it in another key. The transpose feature allows you to play the song in the original key, but hear it in another key.

(1) Press and hold the Transpose button. The LED display shows you the current value. The value is always set to “0” when the power is turned on.

(2) While still holding the Transpose button, use the Value buttons or the keyboard from C2 to C4 to specify the transposition amount. The LED display shows you a number telling you how many half steps up or down you have transposed the piano. -5, for example, represents a transposition that is 5 half steps lower. “0” indicates no transposition.

(3) The piano can be transposed up to 12 half steps higher or 12 half steps lower.

(4) Pressing Transpose button again turns the Transpose function off. The Transpose function remembers the current setting as long as the power is on.

3. TOUCH RESPONSE

The Touch button is used to select a different touch sensitivity of the keyboard from the standard

touch of an acoustic piano. You can change the sensitivity to one of five different settings: LIGHT1/2, HEAVY1/2 and OFF.



LIGHT 1

LIGHT

For those still developing finger strength. A louder volume is produced even when playing with a soft touch. LIGHT 2 is lighter than LIGHT 1.



HEAVY 2

HEAVY

Perfect for those with strong fingers. Requires a heavier touch to produce a loud volume. HEAVY 2 is heavier than HEAVY 1.



OFF

OFF

A constant volume is produced regardless of how hard the keys are struck. This setting is suitable for sounds that have a fixed dynamic range such as Organ and Harpsichord.

(1) To change from the standard touch press the Touch button. The LED indicator above the Touch button will be turned on to indicate that the piano is now using a different touch setting.

(2) Use the Value buttons to change the type of touch while the Touch button is held down.

(3) Press the Touch button again to get back to the standard touch setting.

NOTE:

Touch selection is global for all the preset tones. You cannot have an individual setting for each tone. Once the power is turned off, the setting will be reset to the standard setting.

LIGHT and HEAVY do not represent the physical weight of the keys. These are settings that affect the sensitivity of the keys, which determines the volume level in response to the key movement.

4. REGISTRATION

A Registration is a setup that remembers most of the panel setting, such as sound selections and effect settings, so that you can recall them at the touch of a button. Seven Registrations can be memorized and saved.

(1) To memorize the current panel settings, press and hold the Registration button. While holding the Registration button, press any one of the sound buttons marked 1 through 7 to select a location for your new Registration. Continue holding both the Registration button and the selected sound button until you hear a click. The click sound indicates that your Registration has now been saved to your selected location.

(2) To recall a registration, first press the Registration button and make sure its LED is lit. Then press one of the Sound buttons marked 1 through 7 to select the desired registration.

DIGITAL RECORDING FUNCTIONS

1. EASY RECORDING

(1) Press the Rec button. The ES3/5 will be ready for recording. To cancel the recording, press the Rec button again.

(2) Begin playing some music on the piano. The ES3/5 will automatically start recording with the first note you play. You can also start recording by pressing the Play/Stop button.

(3) Press the Play/Stop button when you have finished recording.

NOTE:

Starting another recording will delete the song you previously recorded. To learn how to save your recorded song and record another song please read the “ADVANCED RECORDING/PLAYBACK FUNCTIONS” section of this manual.

METRONOME/SELECT TIME AND TEMPO

The ES3/5's metronome function can help you record a song by providing a steady beat for you to play along with. The metronome beats however, are not recorded.

(1) To start the metronome, press the Metronome button. You can change the beat (time signature) of the metronome. The ES3/5 has five beats (time signatures) to choose from 1, 2/4, 3/4, 4/4, and 6/8. While holding down the Metronome button, select the desired beat (time signature) of the metronome using the Value.

(2) The ES5 has an additional 100 rhythm styles available. Keep pressing Value Up button while holding down the Rhythm Metronome button. The rhythm style number will be shown in the LED display.

(3) To adjust the tempo, use the Value buttons while the metronome is running. The tempo will be shown in the LED display.

(4) To turn off the metronome function, press the Metronome button and the metronome will stop.

METRONOME/ADJUST VOLUME

The metronome volume can be adjusted in the range from 1 to 10 as follows.

(1) Press the Metronome button while holding down the Touch and Transpose buttons. The LED indicator will start flashing and the LED display shows “VoL” and the volume level alternatively.

(2) Use the Value buttons to adjust the volume. To exit the volume settings mode, press either Touch or Transpose button.

2. PLAYING BACK A SONG

(1) Press the Play/Stop button. The song will be played back using the same sound with which it was recorded.

(2) Press the Play/Stop button once again to stop the playback. If you do not press the Play/Stop button, playback will automatically stop when the song is finished.

You can adjust the tempo of playback. Before pressing the Play/Stop button, use the same procedure of adjusting metronome tempo. (See (3) of the previous section.) Once you adjust the tempo, turn off the metronome and press Play/Stop button.

3. ADVANCED RECORDING/PLAYBACK FUNCTIONS

RECORDING MORE SONGS

The ES3/5 can record and store a maximum of 4 songs. Please follow the steps below to save your songs:

(1) While holding down the Rec button, press the E.Piano (song 2) button. The LED will flash to show the current song number (while the Rec button is held down). The piano will be ready to record song 2. To cancel without recording, press the Rec button again.

(2) Play the piano. Playing the piano will automatically start the recording. You can also start recording by pressing the Play/Stop button.

(3) Press the Play/Stop button after you have finished recording.

(4) Press the Play/Stop button. The song No.2 will be played back.

(5) If you want to listen to song 1, hold down Play/Stop button and press the Piano (song 1) button. Releasing the Play/Stop button will start playback of song 1.

RECORDING/PLAYING BACK THE LEFT AND RIGHT HAND PARTS SEPARATELY

The ES3/5 can record the parts played by the left or right hand and play back these parts separately or simultaneously. This function can be enjoyed in different ways. For example, you can practice the right-hand part of the song while playing back the recorded left-hand part, or record the melody part of the song while playing back the previously recorded accompaniment.

(1) While holding down the Rec button, press the Organ (Song 3) button to select song No.3. Part 1 of song No.3 will be selected and the ES3/5 will be ready to record. To cancel without recording, press the Rec button again.

(2) Play the piano with your left hand. Playing the piano will automatically start the recording. You can also start recording by pressing the Play/Stop button.

(3) Press the Play/Stop button after you have finished recording.

(4) Now, to play back the left-hand part, press the Play/Stop button. The left-hand part you have recorded (part 1 of song No.3) will be played back. You can practice the right-hand part along with the recorded part.

(5) Let's record the right-hand part while listening to the left-hand part. While holding down the Rec button, press the Bass (Part 2) button. The part 1 LED will light and the part 2 LED will flash to indicate that the piano is ready to record. To cancel without recording, press the Rec button again.

(6) Now play the right-hand part. Pressing any key will start play back of the recorded left-hand part (part 1) while you play (and record) the right-hand part. You can also start recording by pressing the Play/Stop button. After pressing the Play/Stop button the left-hand part will begin playing back, you can then begin playing (recording) the right hand part from any point in the song you like.

(7) Press the Play/Stop button after you have finished recording.

PLAYING BACK THE LEFT- AND RIGHT-HAND PARTS SEPARATELY

After you have recorded the left- and right-hand parts (part 1 and part 2) separately, it is possible to play back the two parts by themselves or together. The following example shows how to play back only part 2.

(1) Select and press one of the song buttons (Piano/Song 1, E.Piano/Song 2, Organ/Song 3 and Harpsi/Mallets/Song 4) while pressing the Play/Stop button.

(2) While holding down the Play/Stop button, press the Choir/Pad/Part 1 button. The Choir/Pad/Part 1 button LED will be turned "off". If you need to turn part 1 back "on", press the Choir/Pad/Part 1 button once again. The Choir/Pad/Part 1 button LED will be turned "on".

(3) Releasing Play/Stop button will play back only part 2. To turn On/Off part 2, follow the same procedure described above using the Bass/Part 2 button.

4. DELETING A SONG/PART

This function allows you to delete songs that were not recorded correctly or songs that you do not want to listen to any more.

(1) Simultaneously hold down the Play/Stop and Rec buttons.

(2) The LEDs will light to show you where songs have been recorded.

While holding down both the Play/Stop and Rec buttons, press the song button that corresponds to the song you want to delete.

(3) While still holding down both the Play/Stop and Rec buttons, press the part button that you want to delete and turn the LED of that part button off.

To delete more than one song, repeat (1) to (3).

NOTE:

The total memory capacity of the recorder is approximately 10000 notes. When the recorder reaches its maximum capacity, the ES3/5 will stop recording at this point. Any data recorded before the interruption will be retained.

The recorder memory will be saved even after turning off the power.

To delete all recorded songs (reset), first turn the power off and then turn it back on again while holding down both the Play/Stop and Rec buttons.

FUNCTION MODE

The Function Mode gives you access to many other useful features on your ES3/5. To enter the Function Mode, press the Touch and Transpose buttons simultaneously. The LED indicators for both buttons will start flashing. While holding the Touch and Transpose buttons, press the appropriate Sound button to select the function you want to edit. Each button is assigned two functions as listed below. Press the same Sound button again to select the alternative function. To exit the Function Mode, press either Touch or Transpose button.

	Function	Display	See page	Function	Display	See page
Piano	Brilliance	br1	20	MIDI ch	chn	24
E.Piano	Tuning	tun	20	Program #	PG#	24
Organ	Voicing	vic	21	Local Control	lcl	25
Harpsi/Mallets	Symp. Reso.	srE	21	Trans. Prg On/Off	prgn	25
Strings	Temperament	tenp	22	Multi-Timbre	mlt	25
Choir/Pad	Memory Backup	nen	24	Channel Mute	-	26
Bass	Lower Octave	lot	24	Lower Pdl On/Off	lpd	26

1. BRILLIANCE

Brilliance lets you adjust brightness of the preset sounds.



After selecting the “Brilliance” function by pressing the Piano button, use the Value buttons to change the value to the desired amount. The LED display shows the brilliance setting with a number. “0” indicates the standard setting. Brilliance can be set between -10 to +10. Plus settings produce a brighter tone, minus settings produce a mellower tone.

Brilliance settings are global for all the preset sounds. You can not have an individual setting for each sound.

2. TUNING

Tuning allows you to adjust the piano’s pitch. You may need to adjust the tuning when you play with other instruments.



After selecting the “Tuning” function by pressing the E.Piano button, use the Value buttons to adjust the tuning. A tuning tone can be heard. The LED display shows the pitch for “A” in Hz (Hertz). For example, 40.0 stands for 440.0 Hz. The range of adjustment is from 427.0 to 453.0 Hz. The factory preset value is set to the modern standard A = 440.0 Hz.

3. VOICING

Voicing is a technique used by piano technicians to mold the character of a piano's sound. The Voicing function lets you change the ES piano's tone quality by choosing one of four types of voicings.



Bright Produces a brighter tone throughout the entire dynamic range.



Dynamic The tone will change dramatically from mellow to bright with your playing.



Mellow Produces a mellower tone throughout the entire dynamic range.



Normal Produces the normal timbre of an acoustic piano throughout the entire dynamic range. This is the preset value.



After selecting the "Voicing" function by pressing the Organ button, use the Value buttons to select a desired voicing type. The LED display shows the type of voicing currently selected.

The current voicing selection is global for all the preset tones. You can not have an individual setting for each tone.

NOTE:

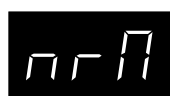
While voicing is a technique used for optimizing the tone of an acoustic piano, this function can be used on all the sounds on the ES piano.

4. SYMPATHETIC RESONANCE

When the sustain pedal is depressed on an acoustic piano, all the dampers are lifted up allowing the strings to vibrate freely. When you play a note or chord on the piano with the sustain pedal depressed not only will the strings for the notes you played vibrate but other strings will vibrate in sympathetic resonance. The Sympathetic Resonance function simulates this phenomenon. You can select from three levels of resonance.



Off no resonance.



Normal simulates the natural resonance characteristics of an acoustic piano.

Deep Produces a more intense resonance.

After selecting the “Sympathetic Resonance” function by pressing the Harpsi/Mallets button, use the Value buttons to select the desired setting.

5. TEMPERAMENT

The ES3/5 offers not only equal temperament (the modern standard) but also immediate access to temperaments popular during the Renaissance and Baroque periods. It should be interesting and educational to try some of the different temperaments, although the equal temperament is dominant today.

After selecting the “Temperament” function by pressing the Strings button, use the Value buttons to select your desired temperament. The LED display shows the type of temperament currently selected.

BRIEF EXPLANATION OF TEMPERAMENTS

EQUAL TEMPERAMENT (PIANO ONLY)

This is the default temperament. If a piano sound is selected the tuning is stretched like an acoustic piano (EQUAL TEMPERAMENT). If any other type of sound is selected the tuning will be EQUAL (FLAT). An explanation of EQUAL TEMPERAMENT and EQUAL TEMPERAMENT (FLAT) is provided later in this section.

NOTE:

If a piano sound is used in a layer with any other sound then both sounds will use the EQUAL TEMPERAMENT (Stretched) tuning.

MERSENNE PURE TEMPERAMENT (major)

MERSENNE PURE TEMPERAMENT (Minor)

This temperament, which eliminates dissonance's for thirds and fifths is still popular for choral music because of its perfect harmony. You need to be aware what key you are playing in with this temperament. Any key modulation will result in dissonance's. When you play music in a particular key, you need to match the key of the temperament as well. When playing in a major key select Pure (Major) and when playing in a minor key select Pure (minor).

PYTHAGOREAN TEMPERAMENT

This temperament, which uses mathematical ratios to eliminate dissonance for fifths, is very limited for use with chords, but it produces very characteristic melodic lines.

An LED display showing the characters 'A', 'n', and 't' in a stylized font.

MEANTONE TEMPERAMENT

This temperament, which uses a mean between a major and minor whole tone to eliminate dissonance for thirds, was devised to eliminate the lack of consonance's experienced with certain fifths for the Mersenne pure temperament. It produces chords that are more beautiful than those with the equal temperament.

An LED display showing the characters 'W', 'r', and 't' in a stylized font.

WERCKMEISTER III TEMPERAMENT KIRNBERGER III TEMPERAMENT

These two temperaments are placed in between Meantone and Pythagorean. For music with few accidentals, this temperament produces the beautiful chords of the mean tone, but as accidentals increase, the temperament produces the characteristic melodies of the Pythagorean temperament. It is used primarily for classical music written in the Baroque era to revive the original characteristics.

An LED display showing the characters 'E', 'r', and 'n' in a stylized font.

An LED display showing the characters 'E', '9', and 'F' in a stylized font.

EQUAL TEMPERAMENT (FLAT)

This is “unstretched” equal temperament that divides the scale into twelve equal semitones. This produces the same chordal intervals in all twelve keys, and has the advantage of limitless modulation of the key. However the tonality of each key becomes less characteristic and no chord is in pure consonance.

An LED display showing the characters 'E', '9', and 'L' in a stylized font.

EQUAL TEMPERAMENT

This is the most popular piano temperament. The hearing ability of a human is uneven and is not as accurate with high frequency and low frequency as it is with the middle range. This temperament's tuning is stretched to compensate for this so the sound will be heard naturally to the ears. This “Stretched” equal temperament is a practical variation of the “unstretched” equal temperament which was invented on a mathematical basis.

Limitless modulation of the key became available only after the invention of Equal temperament. When we use a temperament other than Equal temperament, we must carefully choose the key signature to play in. For example, if the song you are going to play is written in D major, choose “D” as the temperament key by pressing any “D” key on the keyboard. The LED display shows the currently selected key signature. Press either Touch or Transpose button to exit the Function Mode before you start playing.

NOTE:

Changing the key of the temperament will only change the “balance” of the tuning, the pitch of the keyboard remains unchanged. Use the Tuning or Transpose functions to change the pitch of the whole keyboard.

6. MEMORY BACKUP

This function allows the ES3/5 to save the user-definable settings when the power is turned off. Once written to the memory, the saved settings will be recalled every time you turn the power on.



After selecting the “Memory Backup” function by pressing the Choir/Pad button, use the Value buttons to select “user” or “restore”. Then press the Rec button to write the settings. The LED display briefly shows “Wrt” and the memory backup is executed.

7. LOWER OCTAVE SHIFT

This allows the octave of the lower part to be shifted up one, two, or three octaves higher when you use the split function.



After selecting the “Lower Octave Shift” function by pressing the Bass button, use the Value buttons to select your desired shift range. The LED display shows how many octaves the lower part is shifted up. Lower Octave Shift can be set between 0 to 3.

8. MIDI CHANNEL

This determines on which MIDI channel the ES3/5 will exchange MIDI information with an external MIDI instrument or a personal computer.



After selecting the “MIDI Channel” function by pressing the Piano button, use the Value buttons to select your MIDI channel. The LED display shows the currently selected channel number .

In order to exchange MIDI information with another MIDI instrument, you must first set the two connected instruments to the same channel.

When the power is first turned on, the ES3/5 always selects “on1” which means omni on, channel 1. If you change it to 1 through 16, omni automatically turns off.

9. TRANSMITTING PROGRAM CHANGE NUMBER

This function allows the ES3/5 to transmit program change numbers beyond the 21 (ES3) or 28 (ES5) pre-defined numbers transmitted by the Sound buttons. Using this function, you can send any number from 1 to 128.



After selecting the “Transmitting Program Chnage Number” function by pressing the E.Piano button, use the Value buttons to select your desired number. The LED display shows the program change number. To send the program change number, press both Value buttons simultaneously.

10. MIDI LOCAL CONTROL ON/OFF

This determines whether the ES piano's sound will be played from the piano's keyboard ("ON") or only from an external MIDI instrument ("OFF").

Even with local control "off" the piano's keyboard will still transmit to an external MIDI instrument or personal computer.



After selecting the "Local Control" function by pressing the Organ button, use the Value buttons to turn Local Control on and off. The LED display shows whether Local Control is on or off.

11. TRANSMIT PROGRAM CHANGE ON/OFF

This determines whether or not the ES3/5 will transmit program change information when pressing the Sound buttons. When this is turned on, pressing the Sound buttons will send the program change numbers as listed in page 29.



After selecting the "Transmit Program Change On/Off" function by pressing the Harpsi/Mallets button, use the Value buttons to turn Transmit Program Change on and off. The LED display shows whether or not program change numbers will be transmitted.

When the power is first turned on, the Transmit Program Change On/Off function is always "on".

12. TURNING MULTI-TIMBRAL MODE ON/OFF

Multi-timbral mode allows the ES3/5 to receive data on more than one MIDI channel simultaneously. In this mode, the ES3/5 can play different musical parts with different sounds for each part.

Multi-Timbral On

This is a flexible 16 part multi-timbral setup. You can turn individual MIDI channels on and off, and assign any program number to any channel in the way you like.

Multi-Timbral Off

This turns off the multi-timbral capability. Only one MIDI channel will be active and only the preset sound currently selected will be heard when a MIDI signal is received.



After selecting the "Multi-Timbre" function by pressing the Strings button, use the Value buttons to turn Multi-Timbre on and off. The LED display shows the selected Multi-timbral mode.

When the power is first turned on, the Multi-Timbral Mode setting is always off.

13. CHANNEL MUTE

This determines which MIDI channels are activated to receive when used with Multi-Timbral On. You can activate or deactivate each of the 16 channels individually.



Channel 1

After selecting the “Channel Mute” function by pressing the Choir/Pad button, press one of the 16 left most white keys to select the desired channel. Then use the Value buttons to turn them on and off.

NOTE:

When the Multi-Timbral mode is set to off, the “Channel Mute” function is not available.

14. LOWER PEDAL ON/OFF

This determines if the sustain pedal will be active for lower sound when in Split mode. The default setting is Off which means the sustain pedal is not active the lower sound.



After selecting the “Lower Pedal” function by pressing the Bass button, use the Value buttons to turn it on and off. The LED display shows whether Lower Pedal is on or off.

FACTORY RESET

If you want to recall the original factory settings, turn the power off and then turn it back again while holding down both the Touch and Transpose buttons at the same time.

MIDI

The term MIDI is an acronym for Musical Instrument Digital Interface, an international standard for connecting synthesizers, sequencers (digital recorders) and other electronic instruments so that they can exchange performance data.

The ES3/5 is equipped with two MIDI jacks for exchanging data: MIDI IN and MIDI OUT. Each uses a special cable with a DIN connector.

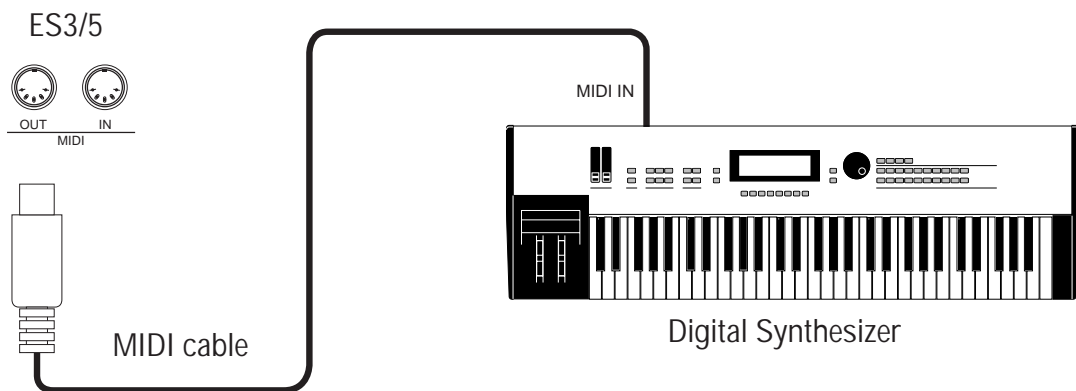
MIDI IN : For receiving note, program change and other data.

MIDI OUT : For sending note, program change and other data.

MIDI EXAMPLES

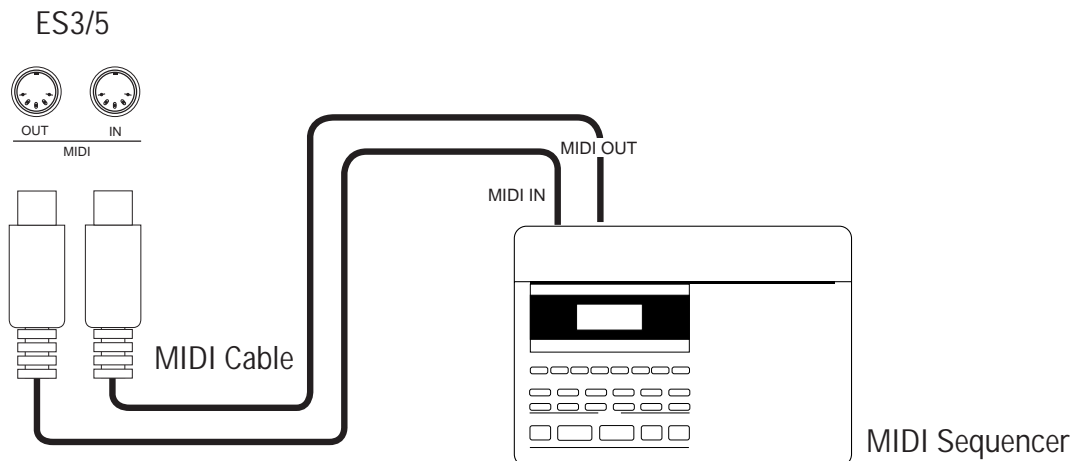
(1) Connection to another MIDI compatible keyboard or sound generator module

When connected as shown in the illustration, data on how the digital piano is played (which keys are struck) can be sent to another MIDI instrument. Plus, the sound from the ES3/5 can be layered over the sound of the other instrument.



(2) Connection to an external sequencer

When connected as shown in the illustration, you can record songs played on the ES3/5 with a sequencer, and use the ES3/5's sounds (such as piano, harpsichord and vibraphone, etc.) controlled by the ES3/5's Multi-Timbral Mode function to create a multi-layer MIDI recording.



USB

The ES3/5 can be connected with a personal computer with a USB cable for exchanging MIDI data. You need a USB driver installed in your computer.

[For Windows XP/Me users]

A standard USB driver is already installed in your computer. You don't need to install a new driver.

[For Windows 2000/98SE users]

You need to install the designated driver in your computer. Visit the KAWAI web site at <http://www.kawai.co.jp/english/Download1.html> and download the program.

[For Macintosh users]

Currently we don't have a USB driver available for Macintosh computers. Please use an appropriate MIDI interface and MIDI cables when connecting the ES3/5 to a Macintosh computer.

NOTE:

When both MIDI jacks and USB jack are connected, USB has priority.

When connecting USB cable to the ES3/5, first connect the USB cable and then turn the power of the ES3/5 on.

It may take some time to start communication when the ES3/5 is connected to the computer via USB.

When USB communication is unstable with connection via hub, connect the USB cable directly to the USB port of the computer.

Turning the power of ES3/5 on/off or disconnecting the USB cable while the following actions may cause unstable communication.

- while installing USB driver
- while booting up the computer
- while MIDI application is working
- while communicating with the computer
- while the computer is in energy saver mode

* If you have any problem with USB communication, consult the instruction manual of your computer and check your computer set up.

* The USB-MIDI conversion board TID10000934 used in the ES3/5 is approved to show the USB logo. The USB logo can be used only for the product which is approved by USB-IF (USB Implements Forum Inc.) test.

* Windows is registered trademark of Microsoft Corporation.

* Macintosh is registered trademark of Apple Computer, Inc.

Program Change Number Mapping

Sound	Multi-Timbral mode				
	Off		On		
	Prog # (ES3)	Prog # (ES5)	Bank MSB	Bank LSB	Prog #
Concert Grand	1	1	121	0	1
Mellow Grand	2	2	121	2	1
Modern Piano	3	3	121	0	2
Rock Piano *	-	4	121	1	2
Classic E.Piano	4	5	121	0	5
60's E.Piano	5	6	121	3	5
Modern E.P.	6	7	121	0	6
Legend E.P. *	-	8	121	3	6
Jazz Organ	7	9	121	0	18
Drawbar Organ	8	10	121	0	17
Church Organ	9	11	121	0	20
Diapason *	-	12	121	2	20
Harpsichord	10	13	121	0	7
Clavi	11	14	121	0	8
Vibraphone	12	15	121	0	12
Marimba *	-	16	121	0	13
String Ensemble	13	17	121	0	49
Slow Strings	14	18	121	0	50
Warm Strings	15	19	121	1	49
String Pad *	-	20	121	2	49
Choir	16	21	121	0	53
Atmosphere	17	22	121	0	100
New Age Pad	18	23	121	0	89
Itopia *	-	24	121	1	92
Acoustic Bass	19	25	121	0	33
Electric Bass	20	26	121	0	34
A.Bass & Ride	21	27	95	1	33
E.Bass & Ride *	-	28	95	1	34
Standard Kit 1 *	-	-	120	0	1
Standrad Kit 2 *	-	-	120	0	33
Room Kit *	-	-	120	0	9
Analog Kit *	-	-	120	0	26

* ES5 only

DEMO SONG LIST

	Main Demo (ES5 only)	Original
Piano	Concert Grand	Rhapsodie No.2 / Brahms
	Mellow Grand	La Fille aux Cheveux de Lin / Debussy
	Modern Piano	Original
	Rock Piano (ES5 only)	Original
E. Piano	Classic E. Piano	Original
	Modern E.P. 1	Original
	Legend E.P. (ES5 only)	Original
Organ	Jazz Organ	Original
	Drawbar Organ 1	Original
	Church Organ	Toccata / Eugene Giout
	Diapason (ES5 only)	Wohl mir, daß ich Jesum habe / Bach
Harpsi/Mallets	Harpsichord	French Suite No.6 / Bach
	Clavi	Original
	Vibraphone	Original
Strings	String Ensemble	Le quattro stagioni La primavera / Vivaldi
	Slow Strings	Original
	String Pad (ES5 only)	Original
Choir/Pad	Choir	Original
	Atmosphere	Original
	New Age Pad	Original
Bass	Acoustic Bass	Original
	Finger Bass	Original
	A. Bass & Ride	Original

RHYTHM LIST (ES5 ONLY)

1	8 Beat 1	26	Rim Beat	51	Hip Hop 3	76	Jazz Waltz 1
2	8 Beat 2	27	Slow Jam	52	Hip Hop 4	77	Jazz Waltz 2
3	8 Beat 3	28	Pop 1	53	Techno 1	78	5/4 Swing
4	16 Beat 1	29	Pop 2	54	Techno 2	79	Tom Swing
5	16 Beat 2	30	Electro Pop 1	55	Techno 3	80	Fast 4 Beat
6	16 Beat 3	31	Electro Pop 2	56	Heavy Techno	81	H.H. Bossa Nova
7	16 Beat 4	32	Ride Beat 1	57	8 Shuffle 1	82	Ride Bossa Nova
8	16 Beat 5	33	Ride Beat 2	58	8 Shuffle 2	83	Beguine
9	16 Beat 6	34	Ride Beat 3	59	8 Shuffle 3	84	Mambo
10	Rock Beat 1	35	Ride Beat 4	60	Boogie	85	Cha Cha
11	Rock Beat 2	36	Slip Beat	61	16 Shuffle 1	86	Samba
12	Rock Beat 3	37	Jazz Rock	62	16 Shuffle 2	87	Light Samba
13	Hard Rock	38	Funky Beat 1	63	16 Shuffle 3	88	Surdo Samba
14	Heavy Beat	39	Funky Beat 2	64	T Shuffle	89	Latin Groove
15	Surf Rock	40	Funky Beat 3	65	Triplet 1	90	Afro Cuban
16	2nd Line	41	Funk 1	66	Triplet 2	91	Songo
17	50 Ways	42	Funk 2	67	Triplet 3	92	Bembe
18	Ballad 1	43	Funk 3	68	Triplet 4	93	African Bembe
19	Ballad 2	44	Funk Shuffle 1	69	Triplet Ballad 1	94	Merenge
20	Ballad 3	45	Funk Shuffle 2	70	Triplet Ballad 2	95	Reggae
21	Ballad 4	46	Buzz Beat	71	Triplet Ballad 3	96	Tango
22	Ballad 5	47	Disco 1	72	Motown 1	97	Habanera
23	Light Ride 1	48	Disco 2	73	Motown 2	98	Waltz
24	Light Ride 2	49	Hip Hop 1	74	Ride Swing	99	Ragtime
25	Smooth Beat	50	Hip Hop 2	75	H.H. Swing	100	Country & Western

DRUM SOUND MAPPING (ES5 ONLY)

	Standard Kit 1	Standard Kit 2	Room Kit	Analog Kit
	C# Snare Roll	Snare Roll	Snare Roll	Snare Roll
	D Finger Snap	Finger Snap	Finger Snap	Finger Snap
	D# High Q	High Q	High Q	High Q
	E Slap	Slap	Slap	Slap
	F Scratch Push	Scratch Push	Scratch Push	Scratch Push2
	F# Scratch Pull	Scratch Pull	Scratch Pull	Scratch Pull2
	G Sticks	Sticks	Sticks	Sticks
	G# Square Click	Square Click	Square Click	Square Click
	A Metronome Click	Metronome Click	Metronome Click	Metronome Click
	A# Metronome Bell	Metronome Bell	Metronome Bell	Metronome Bell
C2	B Std1 BD2	Std2 BD2	Room BD2	Analog BD2
	C Std1 BD1	Std2 BD1	Room BD1	Analog BD1
	C# Rim	Rim	Rim	Analog Rim
	D Std1 SD1	Std2 SD1	Room SD1	Analog SD1
	D# Hand Clap	Hand Clap	Hand Clap	Hand Clap
	E Std1 SD2	Std2 SD2	Room SD2	Analog SD2
	F Std1 Low Tom2	Std2 Low Tom2	Room Low Tom2	Analog Low Tom2
	F# Std1 HHC	Std2 HHC	Room HHC	Analog HHC
	G Std1 Low Tom1	Std2 Low Tom1	Room Low Tom1	Analog Low Tom1
	G# Std1 HHP	Std2 HHP	Room HHP	Analog HHP
C3	A Std1 Mid Tom2	Std2 Mid Tom2	Room Mid Tom2	Analog Mid Tom2
	A# Std1 HHO	Std2 HHO	Room HHO	Analog HHO
	B Std1 Mid Tom1	Std2 Mid Tom1	Room Mid Tom1	Analog Mid Tom1
	C Std1 Hi Tom2	Std2 Hi Tom2	Room Hi Tom2	Analog Hi Tom2
	C# Std1 Crash1	Std2 Crash1	Room Crash1	Analog Crash1
	D Std1 Hi Tom1	Std2 Hi Tom1	Room Hi Tom1	Analog Hi Tom1
	D# Std1 Ride1	Std2 Ride1	Room Ride1	Analog Ride1
	E China	China	China	China
	F Cup	Cup	Cup	Cup
	F# Tambourine	Tambourine	Tambourine	Tambourine
C4	G Splash	Splash	Splash	Splash
	G# Cowbell	Cowbell	Cowbell	Analog Cowbell
	A Crash2	Crash2	Crash2	Crash2
	A# Vibra Slap	Vibra Slap	Vibra Slap	Vibra Slap
	B Ride2	Ride2	Ride2	Ride2
	C Hi Bongo	Hi Bongo	Hi Bongo	Hi Bongo
	C# Low Bongo	Low Bongo	Low Bongo	Low Bongo
	D Mute Hi Conga	Mute Hi Conga	Mute Hi Conga	Analog Hi Conga
	D# Hi Conga	Hi Conga	Hi Conga	Analog Mid Conga
	E Low Conga	Low Conga	Low Conga	Analog Low Conga
C5	F Hi Timbale	Hi Timbale	Hi Timbale	Hi Timbale
	F# Low Timbale	Low Timbale	Low Timbale	Low Timbale
	G Hi Agogo	Hi Agogo	Hi Agogo	Hi Agogo
	G# Low Agogo	Low Agogo	Low Agogo	Low Agogo
	A Cabasa	Cabasa	Cabasa	Cabasa
	A# Maracas	Maracas	Maracas	Analog Maracas
	B Short Whistle	Short Whistle	Short Whistle	Short Whistle
	C Long Whistle	Long Whistle	Long Whistle	Long Whistle
	C# Short Guiro	Short Guiro	Short Guiro	Short Guiro
	D Long Guiro	Long Guiro	Long Guiro	Long Guiro
C6	D# Claves	Claves	Claves	Analog Claves
	E Hi Wood Blk	Hi Wood Blk	Hi Wood Blk	Hi Wood Blk
	F Low Wood Blk	Low Wood Blk	Low Wood Blk	Low Wood Blk
	F# Mute Cuica	Mute Cuica	Mute Cuica	Mute Cuica
	G Open Cuica	Open Cuica	Open Cuica	Open Cuica
	G# Mute Triangle	Mute Triangle	Mute Triangle	Mute Triangle
	A Open Triangle	Open Triangle	Open Triangle	Open Triangle
	A# Shaker	Shaker	Shaker	Shaker
	B Jingle Bell	Jingle Bell	Jingle Bell	Jingle Bell
	C Bell Tree	Bar Chimes	Bar Chimes	Bar Chimes
C6	C# Castanets	Castanets	Castanets	Castanets
	D Mute Surdo	Mute Surdo	Mute Surdo	Mute Surdo
	D# Open Surdo	Open Surdo	Open Surdo	Open Surdo

SPECIFICATIONS

	ES3	ES5
Keyboard	88 Keys with Advanced Hammer Action III	
Polyphony	Maximum 64	
Preset Tones	Piano (3), E.Piano (3), Organ (3), Harpsi/Mallets (3), Strings (3), Choir/Pad (3), Bass (3)	Piano (4), E.Piano (4), Organ (4), Harpsi/Mallets (4), Strings (4), Choir/Pad (4), Bass (4)
Effects	Chorus, Tremolo, Delay (3), Rotary (2)	
Reverb	Room, Stage, Hall	
Temperaments	Equal (Piano Only), Mersenne pure (Major), Mersenne pure (minor), Pythagorea, Meantone, Werckmeister III, Kirnberger III, Equal (flat), Equal	
Other Features	Master Volume, Dual, Split, Dual/Split Balance, Transpose, Tune, Sympathetic Resonance, EQ (3) Touch Curve (Normal, Light (2), Heavy (2), Off), MIDI (16 part multi-timbral capability)	
Recorder	2 Tracks, 4 Songs The total memory capacity is approximately 10000 notes.	
Pedal	Sustain, Soft (with optional F-2r foot pedal)	
Jacks	Headphone (2), LINE IN (Stereo), LINE OUT (L/MONO, R), PEDAL, MIDI (IN, OUT), USB	
Output Power	7W x 2	7W x 2 + 13W (10W x 2 without stand)
Speakers	(12 cm x 8 cm) x 2	(12 cm x 8 cm) x 2 5 cm x 2 (tweeter), 13 cm (woofer)
Dimensions (W x D x H)	136.2 x 32.1 x 13.8 cm 54" x 13" x 5"	137.4 x 39.9x 76.4 cm 54" x 16" x 30"
Weight	19.5 kg, 43 LB's	34.6 kg, 76 LB's

Specifications are subject to change without notice.

MIDI IMPLEMENTATION CHART

KAWAI DIGITAL PIANO
MODEL: ES3/5

Date: December 2002
Version: 1.0

FUNCTION	TRANSMITTED	RECEIVED	REMARKS
Basic Channel (Default) (Changed)	1 1-16	1 1-16	
Mode (Default) (Message) (Altered)	3 x *****	1 1, 3*	Omni On, channel 1 *Omni Off by setting MIDI channel
Note Number (True Voice)	15-113* *****	0-127 15-113	*with Transpose
Velocity (Note ON) (Note OFF)	O: 9nH v=1-127 x: 8nH v=0	O x	
After Touch Key's Channel's	x x	x x	
Pitch Bend	x	x	
Control Change 7 64 67	x O O (with F-2r pedal)	O O O	Volume Damper pedal Soft pedal
Program Change True	O *****	O	
System Exclusive	O	O	
Common (Song Position) (Song Select) (Tune)	x x x	x x x	
System: Real Time (Clock) (Commands)	x x	x x	
Others (Local ON/OFF) (All Notes OFF) (Active Sense) (Reset)	x x O x	O O* O* x	*When Multi-Timbral mode is On
Mode 1: OMNI ON, POLY Mode 2: OMNI ON, MONO Mode 3: OMNI OFF, POLY Mode 4: OMNI OFF, MONO			

KAWAI

ES3/5 Owner's Manual
OW966E-L
Printed in Japan

Free Manuals Download Website

<http://myh66.com>

<http://usermanuals.us>

<http://www.somanuals.com>

<http://www.4manuals.cc>

<http://www.manual-lib.com>

<http://www.404manual.com>

<http://www.luxmanual.com>

<http://aubethermostatmanual.com>

Golf course search by state

<http://golfingnear.com>

Email search by domain

<http://emailbydomain.com>

Auto manuals search

<http://auto.somanuals.com>

TV manuals search

<http://tv.somanuals.com>