

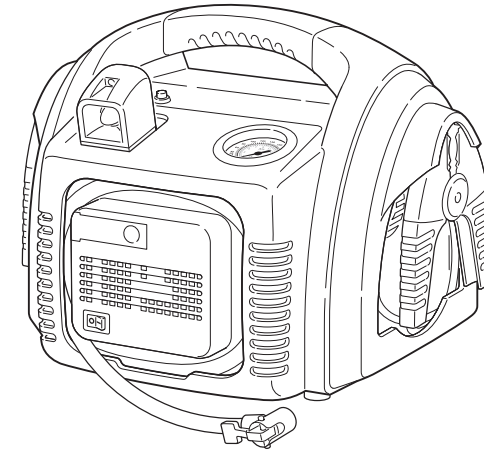
Kawasaki™

RECHARGEABLE JUMPSTARTER INSTRUCTION MANUAL

MANUEL D'UTILISATION DE SYSTÈME DE DÉMARRAGE RECHARGEABLE

MANUAL DE INSTRUCCIONES PARA EL SISTEMA DE ARRANQUE ASISTIDO

MODEL
MODÈLE
MODELO
#840095



THIS MANUAL CONTAINS IMPORTANT INFORMATION REGARDING SAFETY, OPERATION, MAINTENANCE AND STORAGE OF THIS PRODUCT. BEFORE USE, READ CAREFULLY AND UNDERSTAND ALL CAUTIONS, WARNINGS, INSTRUCTIONS AND PRODUCT LABELS. FAILURE TO DO SO COULD RESULT IN SERIOUS PERSONAL INJURY AND/OR PROPERTY DAMAGE.

CE MANUEL CONTIENT DES INFORMATIONS IMPORTANTES CONCERNANT LA SÉCURITÉ, LE FONCTIONNEMENT ET LE REMISAGE DE CE PRODUIT. LIRE, ÉTUDIER ET VEILLER À BIEN COMPRENDRE TOUTES LES MISES EN GARDE ET INSTRUCTIONS ET AUTOCOLLANTS APPOSÉS SUR LE PRODUIT AVANT DE L'UTILISER. NE PAS RESPECTER CES INSTRUCTIONS POURRAIT ENTRAÎNER DES BLESSURES ET/OU DES DOMMAGES MATÉRIELS.

ESTE MANUAL CONTIENE INFORMACIÓN IMPORTANTE SOBRE LA SEGURIDAD, OPERACIÓN, MANTENIMIENTO Y ALMACENAMIENTO DE ESTE PRODUCTO. ANTES DE USARLO, LEA Y COMPRENDA TODAS LAS PRECAUCIONES, ADVERTENCIAS, INSTRUCCIONES Y ETIQUETAS DEL PRODUCTO. DE LO CONTRARIO PODRÍA SUFRIR LESIONES GRAVES O CAUSAR DAÑOS MATERIALES.

IF YOU SHOULD HAVE ANY QUESTIONS OR EXPERIENCE A PROBLEM WITH YOUR ALLTRADE PRODUCT, DO NOT RETURN THIS PRODUCT TO THE STORE. PLEASE CALL OUR CUSTOMER SERVICE DEPARTMENT AT **1-800-590-3723**. BEFORE YOU CALL, HAVE THE FOLLOWING INFORMATION AVAILABLE: MODEL No., DATE PURCHASED AND STORE LOCATION. AN ALLTRADE REPRESENTATIVE CAN RESOLVE YOUR PROBLEM OVER THE PHONE. IF YOU WOULD LIKE TO MAKE A SUGGESTION OR COMMENT, GIVE US A CALL OR EMAIL US AT: INFO@ALLTRADETOOLS.COM. YOUR FEEDBACK IS VITAL TO US.

POUR TOUTE QUESTION OU EN CAS DE PROBLÈME AVEC LE PRODUIT ALLTRADE, NE PAS LE RETOURNER AU MAGASIN OÙ IL A ÉTÉ ACHÉTÉ. APPELER LE SERVICE APRÈS-VENTE AU **1-800-590-3723**. AVANT D'APPELER, VEILLER À SE PROCURER LES INFORMATIONS SUIVANTES : No. DE MODÈLE, DATE DE L'ACHAT ET ADRESSE DU MAGASIN. UN REPRÉSENTANT D'ALLTRADE PEUT RÉSOUDRE VOTRE PROBLÈME PAR TÉLÉPHONE. POUR TOUT COMMENTAIRE OU SUGGESTION, N'HÉSITÉZ PAS À NOUS APPELER OU NOUS CONTACTER PAR COURRIEL À L'ADRESSE : INFO@ALLTRADETOOLS.COM. VOS COMMENTAIRES NOUS SONT EXTRÊMEMENT PRÉCIEUX.

SI TIENE DUDAS O SURGEN PROBLEMAS CON SU PRODUCTO ALLTRADE, NO LO DEVUELVA A LA TIENDA LLAME A NUESTRO DEPARTAMENTO DE SERVICIO AL CLIENTE AL **1-800-590-3723**. ANTES DE LLAMAR, TENGA A MANO LA SIGUIENTE INFORMACIÓN: No. DE MODELO, FECHA DE COMPRA Y DIRECCIÓN DE LA TIENDA. UN REPRESENTANTE DE ALLTRADE PUEDE RESOLVER SU PROBLEMA POR TELÉFONO. SI DESEA HACER ALGUNA SUGERENCIA O COMENTARIO, LLÁMENOS O ENVIENOS UN MENSAJE DE CORREO ELECTRÓNICO A INFO@ALLTRADETOOLS.COM. SUS COMENTARIOS SON FUNDAMENTALES PARA NOSOTROS.

Kawasaki™

Kawasaki Motors Corp., U.S.A.

OFFICIAL • LICENSED • PRODUCT

87-1904-60957

KAWASAKI™ IS A TRADEMARK LICENSED BY KAWASAKI™ MOTORS CORP., U.S.A., WHICH DOES NOT MANUFACTURE OR DISTRIBUTE THIS PRODUCT. CONSUMER INQUIRES SHOULD BE DIRECTED TO:

KAWASAKI™ EST UNE MARQUE DE COMMERCE DE KAWASAKI™ MOTORS CORP., U.S.A., QUI NE FABRIQUE PAS ET NE DISTRIBUE PAS CE PRODUIT THIS PRODUCT. LES QUESTIONS DES CONSOMMATEURS DOIVENT ÊTRE ADRESSÉES À :

KAWASAKI™ ES UNA MARCA REGISTRADA CON LICENCIA DE KAWASAKI™ MOTORS CORP., E.U.A., QUE NO FABRICA NI DISTRIBUYE ESTE PRODUCTO. LAS CONSULTAS DE LOS CONSUMIDORES DEBEN DIRIGIRSE A:

©COPYRIGHT 2005 ALLTRADE TOOLS, LLC.
1431 VIA PLATA

LONG BEACH, CA 90810-1462 USA

690095_Rechargeable Jumpstarter, Système de démarrage rechargeable, Sistema de arranque asistido

**FOR CUSTOMER SERVICE
POUR LE SERVICE APRÈS VENTE
OU DU CONSOMMATEUR
PARA EL SERVICIO
PARA EL CONSUMIDOR**

1-800-590-3723

Printed in China
Imprimé dans la Chine
Impreso en China

TABLE OF CONTENTS

CONGRATULATIONS!	2
INTENDED USE	2
SECTION ONE	
RECOGNIZE SAFETY SYMBOLS, WORDS AND LABELS	2-3
IMPORTANT SAFEGUARDS	3
SECTION TWO	
IMPORTANT SAFETY RULES FOR JUMPSTARTERS	4-5
SYMBOLS	6
SECTION THREE	
BATTERY	7
CHARGING THE BATTERY	8-9
FUNCTIONAL DESCRIPTION	10
OPERATING THE JUMPSTARTER	11-15
REVERSE POLARITY SWITCH	11
JUMPSTARTING A VEHICLE	11-13
USING THE 12V POWER SUPPLY	13
USING THE WORKLIGHT	13
USING THE AIR COMPRESSOR	14-15
SECTION FOUR	
MAINTENANCE AND CLEANING	15
ACCESSORIES	16
SPECIFICATIONS	16
OTHER CONSUMER DO-IT-YOURSELF (DIY) TOOLS	16
SECTION FIVE	
2 YEAR LIMITED WARRANTY	17-20

CONGRATULATIONS!

Thanks for choosing this product. At Alltrade, our aim is to provide you with quality products at an affordable price, and we want you to be totally satisfied with your product and our Customer Service. If any help and advice is needed, please contact us at 1-800-590-3723. Properly cared for, this tool will give you many years of satisfaction.


Congratulations on purchasing the Combined Jumpstart, Air Compressor and 12V Power Supply System. This compact product is the perfect size for your car or boat yet provides enough power to do almost anything a larger unit can do. Whether it's inflating tires, jumpstarting your vehicle or providing a safe source of power for your 12V appliances, the Jumpstart, Air Compressor and 12V Power Supply system does it all.

You can use the jumpstart system to start up cars, trucks, boats, airplanes, snowmobiles, tractors or any other engines which use a 12V DC battery. The built-in air compressor will inflate the tires of your car or truck as well as sports equipment and other small inflatable items like beach balls and pool toys. In addition, the 12V power supply can operate TVs, CD players, portable work lights, cellular phone chargers, and many other 12V appliances.

INTENDED USE

This tool is intended for consumer use only. Your charger and/or adapter has been designed for charging batteries of the type approved and supplied with this tool.

RECOGNIZE SAFETY SYMBOLS, WORDS AND LABELS

 **WARNING** **READ AND UNDERSTAND ALL INSTRUCTIONS.** Failure to follow all instructions listed below may result in electric shock, fire and/or serious personal injury.

The safety instructions provided in this manual are not intended to cover all possible conditions and practices that may occur when operating, maintaining and cleaning power tools.

Always use common sense and pay particular attention to all the **DANGER**, **WARNING**, **CAUTION** and **NOTE** statements of this manual.



This is the safety alert symbol. It is used to alert you to potential personal injury hazards. Obey all safety messages that follow this symbol to avoid possible injury or death.

⚠ DANGER

!DANGER indicates an imminently hazardous situation which, if not avoided, will result in death or serious injury.

⚠ WARNING

!WARNING indicates a potentially hazardous situation which, if not avoided, could result in death or serious injury.

⚠ CAUTION

!CAUTION indicates a potentially hazardous situation which, if not avoided, may result in minor or moderate injury.

CAUTION

CAUTION used without the safety alert symbol indicates a potentially hazardous situation which, if not avoided, may result in property damage.

NOTE

NOTE provides additional information that is useful for proper use and maintenance of this tool. If a NOTE is indicated make sure it is fully understood.

IMPORTANT SAFEGUARDS

⚠ DANGER

People with electronic devices, such as pacemakers, should consult their physician(s) before using this product. Operation of electrical equipment in close proximity to a heart pacemaker could cause interference or failure of the pacemaker.

WARNING: Some dust created by power sanding, sawing, grinding, drilling and other construction activities contains chemicals known to the State of California to cause cancer, birth defects or other reproductive harm.

Some examples of these chemicals are:

- Lead from lead-based paints.
- Crystalline silica from bricks and cement and other masonry products, and arsenic and chromium from chemically-treated lumber.

Your risk from these exposures varies, depending on how often you do this type of work. To reduce your exposure to these chemicals: work in a well ventilated area, and work with approved safety equipment, such as dust masks that are specially designed to filter out microscopic particles.

WARNING: Handling the power cord on this product may expose you to lead, a chemical known to the State of California to cause cancer and birth defects or other reproductive harm. **Wash hands after handling.**

IMPORTANT SAFETY RULES FOR JUMPSTARTERS

⚠ WARNING

Read and understand all instructions, safety warnings, and warning labels before attempting to use this jump-starter. Misuse can lead to risk of fire, electric shock or personal injury.

⚠ DANGER

Lead-acid batteries generate explosive gases. Accidental ignition by spark, cigarette or flame could lead to explosion or fire.

1. **NEVER** expose this product to rain, snow, ocean spray or any other damp environments. Never immerse this product in water.
2. **DO NOT** use this jump-starter if it has been dropped, damaged or immersed in liquid. Serious injury could occur.
3. Keep the area around the battery well ventilated. Build-up of gases could lead to an explosion.
4. **DO NOT** smoke or light matches near battery.
5. **ALWAYS** wear eye protection when working with batteries. **If battery acid splashes into your eyes, flush immediately with cold running water. Continue flushing for at least 15-20 minutes, then seek immediate medical attention.**
6. **NEVER** wear a watch or metal pieces of jewelry near a lead-acid battery. If the metal touches the battery, a short circuit could occur causing severe skin damage.
7. Wear protective clothing. **If battery acid gets on skin or clothing, wash the affected area immediately with soap and water. If the skin becomes red, sore or irritated, seek immediate medical attention.**
8. Be careful not to drop a metal tool on the battery. It could cause a spark, short circuit or explosion.
9. **NEVER** allow the black and red clamps to touch a metal surface or each other. Store the clamps in their holders when not in use.
10. Keep this product out of the reach of children or untrained users.
11. **ALWAYS** keep the unit in a dry, stable area when in use. Keep all cords and body parts away from the vehicle's moving engine.
12. Disconnect the negative (black) jumper cable **FIRST. NEVER** disconnect the red (positive) cable first unless the vehicle has a positive ground system.

SAVE THESE INSTRUCTIONS FOR FUTURE REFERENCE.

13. Keep battery away from intense heat. An overheated battery may explode.
14. **ALWAYS** use an outlet equipped with a GFCI (ground fault circuit interrupter) when charging the jump-starter in a damp or wet location.

IMPORTANT:

1. Recharge unit after each use. Use only the supplied AC charger and cords to recharge the jump-starter. If you must use a DC power source, do not charge for more than 4 hours or damage to the battery may occur.
2. Make sure the jump-starter is OFF before attempting to charge.
3. Use only manufacturer recommended accessories with this unit. **NEVER** put anything into the power socket outlet except the cords supplied with this product.
4. This product is not to be used with appliances that draw more than 20 amps.
5. For use with 12V DC battery systems only. Do not attempt to use with any other types of batteries.
6. **DO NOT** use this unit as a vehicular battery. This product is for jumpstarting only. It will not replace a dead battery.
7. If the vehicle to be jumpstarted has an on-board computer system, check the owner's manual before attempting to jumpstart the engine. Jumpstarting with this unit may cause damage to some computer systems.
8. Protect this product from moisture, excessive heat or direct sunlight.
9. Keep the unit upright at all times.
10. Make sure all parts are in proper working order before each use. Replace damaged parts immediately.
11. **DO NOT** immerse in liquid.
12. Never jumpstart a frozen battery.
13. **DO NOT** crank the vehicle's engine excessively. If the vehicle will not start after several attempts, the problem may be something besides the battery. Stop jumpstarting and look for other causes.
14. **NEVER** over-inflate tires or other inflatable items.





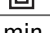
EMERGENCY FIRST AID

Acid in Eyes. Flush immediately with cold running water. Continue flushing for at least 15-20 minutes, then **seek immediate medical attention.**

Acid on Skin. Wash the affected area immediately with soap and water. If the skin becomes red, sore or irritated, **seek immediate medical attention.**

SYMBOLS

IMPORTANT: Some of the following symbols may be used on your tool. Please study them and learn their meaning. Proper interpretation of these symbols will allow you to operate the tool better and safer.

SYMBOL	NAME	EXPLANATION
V	Volts	Voltage (Potential)
A	Amperes	Current
Hz	Hertz	Frequency (Cycles per Second)
W	Watt	Power
Kg	Kilograms	Weight
	Alternating Current	Type of Current
	Direct Current	Type of Current
	Alternating or Direct Current	Type of Current
	Earthing Terminal	Grounding Terminal
	Class II Construction	Denotes Double Insulation
min	Minutes	Time
s	Seconds	Time
φ	Diameter	Size of Drill Bits, Grinding Wheels, etc.
n_0	No load speed	No-load Rotational Speed
.../min	Revolutions per Minute	Revolutions, Surface Speed, Strokes, etc. per Minute
1,2,3, ...	Ring Selector Settings	Speed, Torque or Position Settings

BATTERY

⚠ WARNING

Before using battery pack, please read carefully all instructions and cautionary markings on battery pack, battery charger and product using battery.

Do not incinerate the battery pack even if it is severely damaged or is completely worn out. The battery pack can explode.

Do not carry battery packs in aprons, pockets, or tool boxes, product kit boxes, drawers, etc. with loose metal objects. Battery pack terminals could be short circuited causing damage to the battery pack, severe burns or fire.

This unit contains a maintenance-free, non-spillable, sealed lead-acid battery, which must be recycled or disposed of properly. Contact your local waste management authority for disposal locations in your area, or call **1-800-CLEANUP**.

NOTE

The battery is not fully charged at the factory. Attach jump-starter to the 120V AC charger for 48 hours before use. Unit will not overcharge when attached to the AC charger.

Always switch to a fresh battery when tool performance begins to diminish. Severe heat is most destructive to a battery; the more heat generated, the faster the battery loses power. A battery that gets too hot can have a shortened life.

Never over-discharge a battery by using the tool even after tool performance has decreased. Do not attempt to discharge a tool's battery by continuing to pull on the tool trigger. When tool performance begins to diminish, stop the tool and recharge the battery for optimal performance.

Charge battery pack at ambient temperatures between 50° F – 104° F.

Store tool and battery pack in locations where temperatures will not exceed 120°F. This is important to prevent serious damage to the battery cells.

When battery pack is not in use, keep it away from other metal objects such as paper clips, coins, keys, nails, screws or other small metal objects that can make a connection from one terminal to another. Shorting the battery terminals together may cause sparks, burns, or fire.

CHARGING THE BATTERY

INITIAL CHARGE:

The Jumpstart System does not leave the factory fully charged. Before use, attach the unit to the 120V AC charger for 48 hours. The green LED charge indicator will show when the battery has reached full charge. To view the charge level, press the Charge Status button.

RECHARGE:

The battery can be recharged using either AC or DC current. Cables are provided for both sources of power. We recommend using the AC charger as charging with DC power for long periods can damage the unit.

CHARGING:

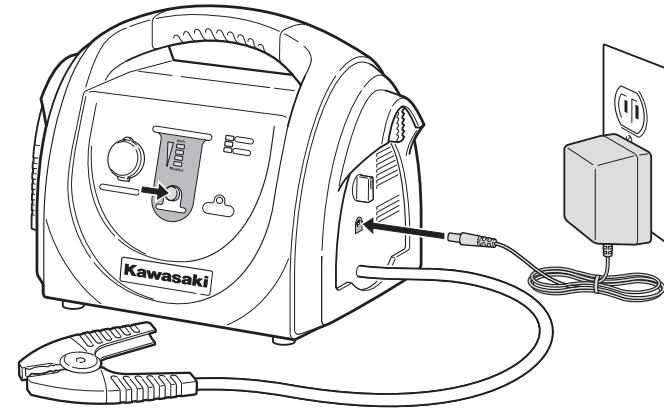
ALWAYS recharge the jump-starter after use. Leaving the battery in a discharged state will shorten the life of the battery.

Recharge the battery at least once a month, especially if it has not been in use. Keeping the jump-starter fully charged will increase the life of the battery.

AC ADAPTER:

To charge this unit from a standard 120v household outlet, just plug the AC charger/adaptor into the socket. Use the barrel connector to plug the AC charger/adaptor into the recharge port on the jump-starter. Charge until the status indicator lights show green.

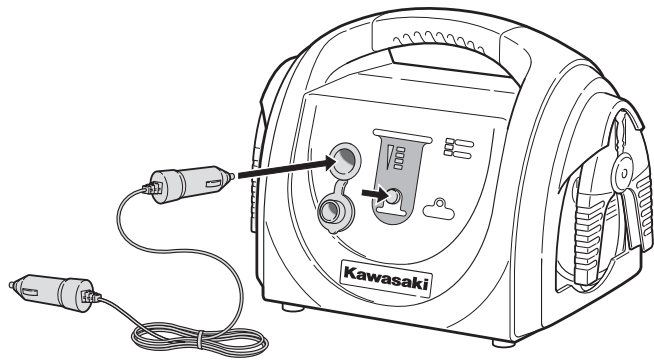
When first purchased, this unit should be charged for 48 hours to bring the battery up to full working strength. After each use, recharge the battery for at least 14 hours. Charge once a month, even if the unit has been idle. Charging will help the battery last longer.



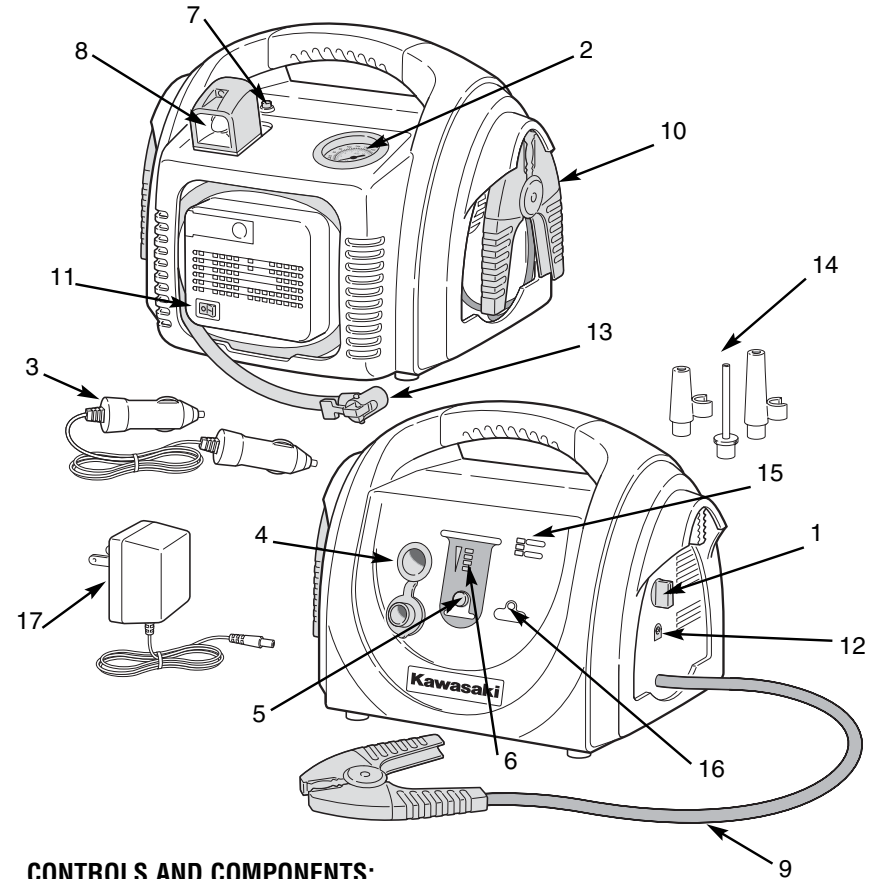
DC ADAPTER:

To charge the jump-starter from a boat or car accessory receptacle, plug one end of the included DC adapter into the receptacle and the other end into the accessory socket on the jump-starter. Leave the vehicle running to prevent draining the vehicle battery. Charge until the status indicator lights show green. **DO NOT CHARGE FROM A DC SOURCE FOR MORE THAN 4 HOURS. DAMAGE TO THE UNIT WILL RESULT.**

This method is not as effective as the AC method and should only be used if no AC socket is available.



FUNCTIONAL DESCRIPTION



CONTROLS AND COMPONENTS:

- | | |
|--|--|
| 1. On/Off Jumpstart Switch | 10. Positive (Red) Jumper Cable and clamp |
| 2. Analog Pressure Gauge | 11. Compressor On/Off Power Switch |
| 3. Automotive Adapter | 12. Recharging Port |
| 4. 12 Volt DC Accessory Outlet | 13. 260 PSI compressor air hose and tire chuck |
| 5. Battery Charge Level Button | 14. Inflation adapters (nozzles) |
| 6. Battery Level Indicators | 15. Changing Status Indicator |
| 7. Work Light On/Off Switch | 16. Clamps Reverse Polarity Indicator |
| 8. Work Light | 17. AC/DC Charging Adapter |
| 9. Negative (Black) Jumper Cable and clamp | |

OPERATING THE JUMPSTARTER

⚠ WARNING Before attempting to jumpstart any vehicle, read and understand all safety warnings and instructions in this manual. Jumpstarting a vehicle can be dangerous. Take all precautions recommended in this manual.

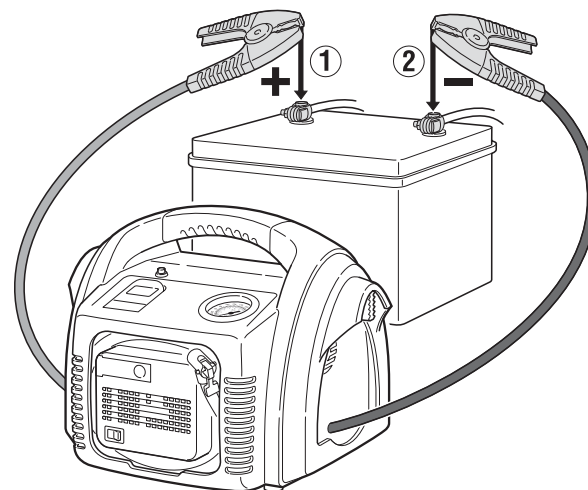
1. **ALWAYS** wear eye protection when working with batteries. **If battery acid splashes into your eyes, flush immediately with cold running water. Continue flushing for at least 15-20 minutes, then seek immediate medical attention.**
2. **DO NOT** smoke or light matches near battery. Batteries can emit explosive gases.
3. Wear protective clothing. **If battery acid gets on skin or clothing, wash the affected area immediately with soap and water. If the skin becomes red, sore or irritated, seek immediate medical attention.**
4. Contain long hair and remove jewelry before attempting to jumpstart the engine. Do not wear vinyl clothing. Be extra careful when static electricity is present.
5. Never jumpstart a frozen battery.
6. Batteries emit hydrogen gas when charging. Keep away from flame. Avoid breathing vapors.
7. Replace worn or damaged parts immediately.
8. Keep all clothing, cords, cables and body parts away from a running engine.
9. **NEVER** immerse this unit in fluid of any kind.

REVERSE POLARITY SWITCH

If you should inadvertently attach the positive (red) clamp to the battery's negative terminal or the negative (black) clamp to the battery's positive terminal, an alarm will sound. If you hear the alarm, immediately disconnect the cables and try again. Once a correct connection is made, the internal switch will turn on, allowing you to jumpstart your vehicle.

JUMPSTARTING A VEHICLE

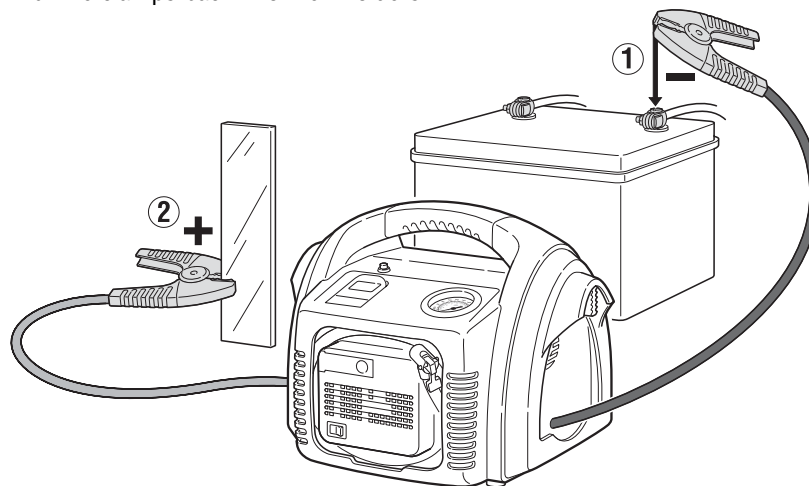
1. Turn vehicle ignition to OFF and make sure all accessories are also turned off. Put the vehicle in park. Set the emergency brake.
2. Put the jumpstart system in a dry, level location. Remove the jumper clamps from their holders. (Squeeze on the handles and pull up.)
3. **ALWAYS** connect the red (positive) clamp first. Connect the red clamp to the positive terminal on the vehicle's battery. Attach the black (negative) clamp to the chassis or a non-moving metal part of the vehicle. **DO NOT** attach to the negative battery terminal or any moving parts.
4. If the alarm sounds, disconnect the clamps (black clamp first) and switch.



POSITIVE GROUND SYSTEMS ONLY

If the vehicle has a positive ground system, attach the black (negative) clamp to the vehicle battery's negative terminal and attach the red (positive) clamp to the non-moving metal body part.

5. Start the vehicle. Do not allow the starter to grind more than a couple of seconds.
6. When the engine starts, remove the chassis clamp first, then the battery clamp. Put the clamps back into their holders.



FLOODING

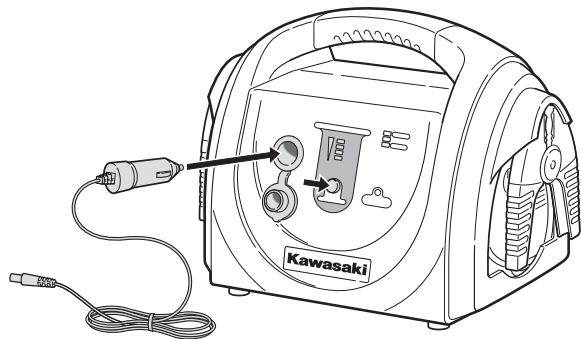
Sometimes repeated attempts to start an engine will leave it flooded. If after several attempts, the engine still refuses to start, turn the ignition off and wait a while.

⚠ WARNING ALWAYS disconnect the clamp connected to the vehicle frame or engine **FIRST**.

USING THE 12V POWER SUPPLY

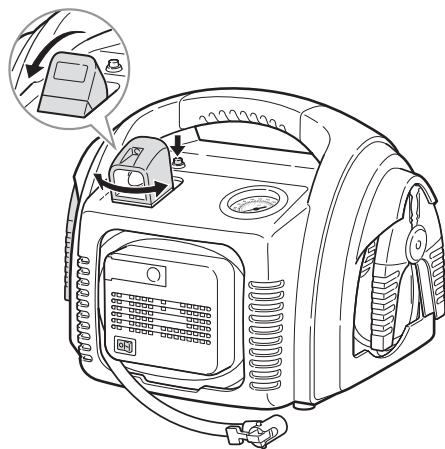
⚠ WARNING DO NOT use this product with appliances that draw more than 8 amps.

To use this unit as a power supply, simply plug your appliance's 12V DC connector into the DC accessory outlet and turn on the appliance.



USING THE WORK LIGHT

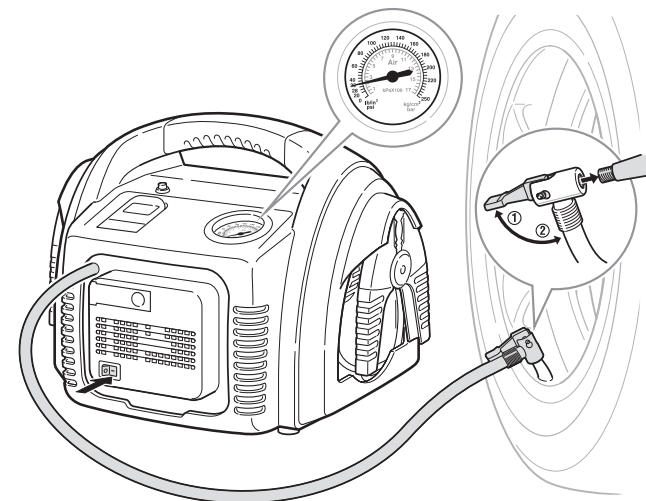
The emergency work light is located on the upper right corner of the jump-starter. To operate, push the ON/OFF switch. When the unit is fully charged, this work light will provide over 100 hours of illumination. ALWAYS turn the work light off before charging or storage.



USING THE AIR COMPRESSOR

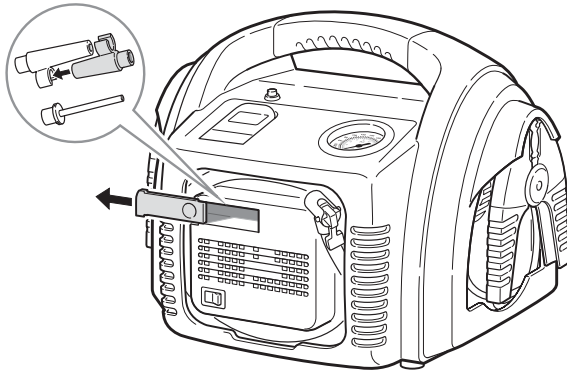
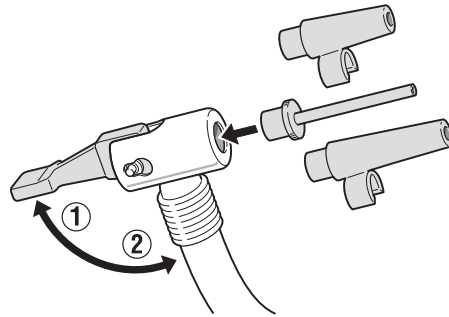
TIRE INFLATION

1. Open the small compartment on the rear of the unit and pull out the air hose.
2. Push the connector onto the tire's valve stem as far as possible and press the thumb lock to hold it in place.
3. Turn on compressor.
4. Watch the pressure gauge. Be careful not to over-inflate the tire.
5. When the proper air pressure is reached, turn off the compressor.
6. Open the thumb lock and pull the connector free of the valve stem.
7. Return air hose to storage compartment. Always leave the thumb lock open when air hose is not in use.



INFLATION USING A NOZZLE

1. Select the proper nozzle for the job.
2. Push the adapter into the connector and lock into place with the thumb lock.
3. Insert the adapter into the item you wish to inflate. Remember that most sports items inflate very quickly.
4. Turn on the compressor switch.



5. When the item is inflated, turn off the compressor.
6. Pull out the adapter.
7. Store hose and nozzles.

MAINTENANCE AND CLEANING

⚠ WARNING **DO NOT incinerate used batteries.** Batteries will explode if exposed to intense heat or flame.

ALWAYS cover exposed terminals with heavy-duty electrical tape before disposal. Unprotected terminals may short out and cause fire or personal injury.

This sealed lead-acid battery is recyclable. Please take used batteries to a city battery drop-off center, lead-acid battery retailer or other battery recycling location.

ACCESSORIES

Use only accessories that are recommended by the manufacturer for your model. Accessories that may be suitable for one tool may become hazardous when used on another tool.

Always attach grounded (3-prong) extension cords to grounded (3-hole) outlets.

If you must use an extension cord, be sure that the gauge is large enough to carry the amount of current necessary for your power tool. If not, your tool may experience a loss of power, excessive voltage drop or overheating. The smaller the gauge number, the heavier the cord (see table below).

RECOMMENDED SIZES OF EXTENSION CORDS 120 VOLT AC 60 HZ TOOLS

TOOL CURRENT RATING	CONDUCTOR SIZE IN A.W.G				
	AMPERE	10FT.	25FT.	50FT.	100FT.
3-6	18	18	18	18	18
6-8	18	18	18	18	16
8-10	18	18	18	18	14
10-12	16	16	14	14	14
12-16	14	12	12	12	-
16-20	12	12	12	12	-

SPECIFICATIONS

SPECIFICATIONS

Internal Battery	12V/18AH
Jumpstart Current	350A (instant)
Air Compressor Pressure	250PSI

OTHER CONSUMER DO-IT-YOURSELF (DIY) TOOLS

Alltrade offers a full range of Kawasaki™ tools that make DIY jobs easy. If you would like further information on the following products, please contact Alltrade Customer Service Department at 1-800-590-3723.

Cordless Drills/Screwdrivers	Reciprocating Saws
Impact Wrenches	Routers
Sanders	Rotary Tools
Jigsaws	Corded and Cordless Multi-Purpose Tools
Circular Saws	Wide Range of Accessories and more
Angle Grinders	

2 YEAR LIMITED HOME USE WARRANTY

Express and Exclusive Limited Home Use Warranty to Original Retail Buyer

Alltrade Tools LLC (hereinafter "Alltrade") expressly warrants to the original retail purchaser of the accompanying KAWASAKI™ portable power tool and no one else all parts of the product (except those parts referred to below which are specifically excluded from such warranty (see Exclusions)) to be free from defects in materials and workmanship for a period of two years from original date of purchase.

SPECIAL WARRANTY NOTE TO CONTRACTORS AND COMMERCIAL USERS: This Kawasaki™ portable power tool is offered as a home use tool and carries a **HOME USE WARRANTY**. This tool is made for home use in the execution of projects and repairs in and around the home. Use of the tool for **COMMERCIAL PURPOSES OR ON A JOBSITE** is not covered under this warranty.

The date of purchase shall be the date of shipment to the original purchaser, or the date the original purchaser took possession, custody or control of the product, whichever occurred first. This warranty shall be null and void if the product or any component thereof is modified, altered or used for any commercial purpose or on a jobsite. This warranty does not apply to any other product and/or component thereof manufactured or distributed by Alltrade, and does not apply to products and/or components thereof designed, manufactured and/or assembled by others, for which Alltrade makes no warranties whatsoever. **THERE ARE NO WARRANTIES WHICH EXTEND BEYOND THE DESCRIPTION ON THE FACE HEREOF.**

Warranty Performance

By purchasing the product, purchaser expressly acknowledges and agrees that their sole and exclusive remedy under this warranty shall be strictly limited to the repair or replacement of any covered nonconforming items or parts thereof provided that any such nonconforming item and/or part is promptly returned to Alltrade's facility postage pre-paid and insured (address: ALLTRADE Warranty Claims & Repair, 1431 Via Plata, Long Beach, CA 90810, Attn: Customer Service #310-522-9008) within the applicable warranty period, with a written request by purchaser that Alltrade repair and/or replace the nonconforming item and/or part. We recommend that you keep the original product packaging in the event you need to ship the unit. We suggest the package be insured against loss or in transit damage. When sending your product include your name, address, phone number, dated proof of purchase (or copy), and a statement about the nature of problem. Warranty coverage is conditioned upon purchaser furnishing Alltrade with adequate written proof that they are the original purchaser and of the original purchase date. Parts returned, freight prepaid and insured, to Alltrade's facility (see above address) will be inspected and, at Alltrade's option, repaired and/or replaced free of charge if

found to be defective and subject to warranty. Alltrade retains the sole discretion to determine whether any item or part is nonconforming and, if so, whether the item and/or part will be repaired and/or replaced. If the unit is repaired, new or reconditioned replacement parts may be used. If Alltrade chooses to replace the product, it may replace it with a new or reconditioned one of the same or comparable design. The repaired or replaced unit will be warranted under the terms of the remainder of the warranty period. Typically, a defective product that is returned within the first 30 days after the purchase date will be replaced; for items returned after the first 30 days and within the warranty period, covered defective parts not subject to normal wear and tear or other exclusions will be repaired or replaced, at Alltrade's option. During the warranty period, Alltrade will be responsible for the return shipping charges. Alltrade's repair and/or replacement of any non-conforming item and/or part thereof shall constitute fulfillment of all obligations to the purchaser. Alltrade shall not be responsible or liable for any expense, including freight charges, or repairs made outside Alltrade's facility, unless expressly agreed to by Alltrade in writing. Under no circumstances shall Alltrade bear any responsibility for loss of the unit, loss of time or rental, inconvenience, commercial loss or consequential damages.

Exclusions

This warranty does not cover parts damaged due to normal wear, abnormal conditions, misapplication, misuse, abuse, accidents, operation at other than recommended pressures or temperatures, improper storage or freight damage. Parts damaged or worn by operation in dusty environments are not warranted. Failure to follow recommended operating and maintenance procedures also voids warranty.

This limited warranty does not apply to accessory items such as drill bits, screwdriving bits, circular saw blades, jigsaw blades, grinding wheels, sanding sheets and other related items.

DAMAGE TO THE PRODUCT RESULTING FROM TAMPERING, ACCIDENT, ABUSE, NEGLIGENCE, FAILURE TO FOLLOW INSTRUCTIONS, UNAUTHORIZED REPAIRS OR ALTERATIONS, DAMAGE WHILE IN TRANSIT TO OUR SERVICE FACILITY, USE OF UNAPPROVED OR IMPROPER ATTACHMENTS OR ACCESSORIES, COMMERCIAL AND RENTAL APPLICATIONS OR OTHER CAUSES UNRELATED TO PROBLEMS WITH MATERIAL OR WORKMANSHIP ARE NOT COVERED BY THIS WARRANTY.

Alltrade will not be liable for the following: labor charges, loss or damage resulting from improper operation, maintenance or repairs made by other persons; pre-delivery services such as assembly, oil or lubricants, and adjustment; maintenance services that are normally required to maintain the product.

The use of other than genuine Alltrade Repair Parts will void warranty.

Warranty Disclaimers

EXCLUSION AND DISCLAIMER OF ALL OTHER EXPRESS WARRANTIES, GUARANTIES AND/OR REPRESENTATIONS. EXCEPT FOR THE LIMITED WARRANTY PROVIDED ABOVE, ALL OTHER EXPRESS WARRANTIES, GUARANTIES AND/OR REPRESENTATIONS BY ALLTRADE AND/OR ITS REPRESENTATIVE(S) REGARDING THE DESIGN, MANUFACTURE, PURCHASE, USE AND/OR OPERATION OF THE PRODUCT OR ANY COMPONENT THEREOF SOLD HEREUNDER, REGARDLESS OF WHETHER ANY SUCH WARRANTY, GUARANTY AND/OR REPRESENTATION, WRITTEN OR ORAL, ARISES BY OPERATION OF LAW AND/OR EQUITY AND/OR BY ANY ACT OR OMISSION OF ALLTRADE AND/OR ITS REPRESENTATIVE(S), OR THE BUYER, ARE HEREBY EXPRESSLY EXCLUDED AND DISCLAIMED BY ALLTRADE AND/OR ITS REPRESENTATIVES. PURCHASER KNOWINGLY AND WILLINGLY WAIVES ANY AND ALL SUCH WARRANTIES AND RIGHTS, CLAIMS AND/OR CAUSES OF ACTION ARISING THEREFROM OR BASED THEREON. PURCHASER'S SOLE AND EXCLUSIVE REMEDY IS AS STATED ABOVE.

EXCLUSION AND DISCLAIMER OF ALL IMPLIED WARRANTIES, INCLUDING THE IMPLIED WARRANTIES OF MERCHANTABILITY AND FITNESS FOR A PARTICULAR PURPOSE. NO WARRANTY, ORAL OR WRITTEN, OTHER THAN THE ABOVE WARRANTY IS MADE WITH REGARD TO THIS PRODUCT. ALL EXPRESS AND/OR IMPLIED WARRANTIES, GUARANTIES AND/OR REPRESENTATIONS BY ALLTRADE AND/OR ITS REPRESENTATIVE(S) REGARDING THE DESIGN, MANUFACTURE, PURCHASE, USE AND/OR OPERATION OF THE PRODUCT OR ANY COMPONENT THEREOF SOLD HEREUNDER, REGARDLESS OF WHETHER ANY SUCH WARRANTY, GUARANTY AND/OR REPRESENTATION, WRITTEN OR ORAL, ARISES BY OPERATION OF LAW AND/OR EQUITY AND/OR BY ANY ACT OR OMISSION OF ALLTRADE AND/OR ITS REPRESENTATIVE(S), OR THE PURCHASER, INCLUDING BUT NOT LIMITED TO THE IMPLIED WARRANTY OF MERCHANTABILITY AND THE WARRANTY OF FITNESS FOR A PARTICULAR PURPOSE, ARE HEREBY EXPRESSLY EXCLUDED AND DISCLAIMED BY ALLTRADE AND/OR ITS REPRESENTATIVES. PURCHASER KNOWINGLY AND WILLINGLY WAIVES ANY AND ALL SUCH WARRANTIES AND RIGHTS, CLAIMS AND/OR CAUSES OF ACTION ARISING THEREFROM OR BASED THEREON. PURCHASER'S SOLE AND EXCLUSIVE REMEDY IS AS STATED ABOVE.

Limitation Of Liability

IN NO EVENT SHALL ALLTRADE AND/OR ITS REPRESENTATIVE(S) BE LIABLE FOR INDIRECT, INCIDENTAL, SPECIAL AND/OR CONSEQUENTIAL DAMAGES OF ANY KIND ARISING OUT OF OR RELATED TO, DIRECTLY OR INDIRECTLY, ANY BREACH OF ANY PROVISION OF ANY AGREEMENT BETWEEN ALLTRADE AND/OR ITS REPRESENTATIVE(S) AND PURCHASER, ANY WARRANTY HEREUNDER, AND/OR THE EXISTENCE, DESIGN, MANUFACTURE, PURCHASE, USE AND/OR OPERATION OF ANY ITEM(S) SOLD HEREUNDER EVEN IF ALLTRADE AND/OR ITS

REPRESENTATIVE(S) HAS BEEN ADVISED OF THE POSSIBILITY OF ANY SUCH DAMAGES. IN NO EVENT, WHETHER AS A RESULT OF A BREACH OF CONTRACT, WARRANTY, TORT (INCLUDING NEGLIGENCE) OR OTHERWISE, SHALL ALLTRADE'S AND/OR ITS REPRESENTATIVE(S)' LIABILITY EXCEED THE PRICE OF THE PRODUCT. ANY AND ALL LIABILITY CONNECTED WITH THE USE OF THIS PRODUCT SHALL TERMINATE UPON THE EXPIRATION OF THE WARRANTY PERIODS SPECIFIED ABOVE.

Limitations on Warranty Disclaimers

Some states do not allow limitations on how long an implied warranty lasts and some states do not allow the exclusion or limitation of the incidental or consequential damages, so part or all of the above limitations or exclusions may not apply to you. This warranty gives you specific legal rights, and you may also have other rights which vary from state to state.

If your product is not covered by this warranty, please call our Customer Service Department at 1-310-522-9008 or toll free at 1-800-590-3723 for general repair information and charges.

Free Manuals Download Website

<http://myh66.com>

<http://usermanuals.us>

<http://www.somanuals.com>

<http://www.4manuals.cc>

<http://www.manual-lib.com>

<http://www.404manual.com>

<http://www.luxmanual.com>

<http://aubethermostatmanual.com>

Golf course search by state

<http://golfingnear.com>

Email search by domain

<http://emailbydomain.com>

Auto manuals search

<http://auto.somanuals.com>

TV manuals search

<http://tv.somanuals.com>