

# Kawasaki®

# W SUPER SHOCK W

## DIRT BIKE™



Product features may vary from the picture above.

**Please read this manual and save it with your original sales receipt.**

Tools needed for assembly: Phillips Screwdriver, Safety Scissors and Hammer (all not included).

Use only with a Power Wheels® 12 Volt Rechargeable Battery and a Power Wheels® 12 Volt Charger with type "12V" Connector (both included).

Kawasaki and KX125® are trademarks used under license by Kawasaki Motors Corp., U.S.A. However, this product is neither manufactured nor distributed by Kawasaki Motors Corp., U.S.A. Consumer inquiries should be directed to: Power Wheels by Fisher-Price®.

[www.powerwheels.com](http://www.powerwheels.com)



## Owner's Manual with Assembly Instructions

For Model 73600

# Table of Contents

A	Important Information	.2
B	Warnings and Cautions	.3
C	Parts	.4
D	Parts Diagram	.7
E	Battery Charging	.8
F	Assembly	.10
G	Label Decoration	.22
H	Battery Installation	.24
I	Battery Care and Disposal	.25
J	Caring For Your Vehicle	.25
K	Rules For Safe Driving	.26
L	How to Operate Your Vehicle	.27
M	FCC Statement	.28
N	Statement of Limited Warranty	.28
O	Problems and Solutions Guide	.29
P	Authorized Service Centers	.32

## A

## Important Information

- Your new vehicle requires adult assembly. Please set aside at least 60 minutes for assembly.
- You must charge your battery for 18 - 30 hours **before you use your vehicle for the first time**. We recommend that you start charging your battery before beginning assembly. Please see Battery Charging beginning on page 8 for detailed instructions.
- Read this manual carefully for important safety information and operating instructions before using your vehicle. Keep this manual for future reference as it contains important information.
- This vehicle is designed for use on: grass, asphalt and other hard surfaces; on generally level terrain; and by children 3 years of age and older.
- Make sure children know and follow these rules for safe driving and riding:
  - always sit on the seat.
  - always wear shoes.
  - only 1 (one) rider at a time.
- Use this vehicle **ONLY** outdoors. Most interior flooring can be damaged by riding this vehicle indoors. Fisher-Price® will not be responsible for damage to the floor if the vehicle is used indoors.
- For safety reasons, your vehicle has been pre-set so that it will operate at low speed. Note that the turbo throttle grip on the handlebar will not operate in the pre-set, low speed mode. You must connect the high speed hook-up to allow operation of the vehicle at high speed when turning the turbo throttle grip on the handlebar. Please see pages 26 and 27 for detailed instructions.
- To prevent damaging the motors and gears, teach your child to stop the vehicle before switching direction. Do not tow anything behind the vehicle or overload it. Do not exceed the maximum weight capacity of 65 lbs (29.5 kg).
- If you have any questions about your Power Wheels® vehicle, please call our toll-free service lines at **1-800-348-0751** from 8 AM to 6 PM (EST) Monday through Friday. Trained customer service representatives are available to take your call in English or French. Habla Español? Si usted tiene alguna pregunta ó necesita asistencia llame gratis **1-800-348-0755** para los Estados Unidos. Tenemos representantes que hablan español para atender su llamada.
- For your convenience, Power Wheels® maintains an Authorized Service Center Network with more than 400 authorized service centers nationwide. Our authorized service centers will repair or replace parts under warranty at no extra charge, and can perform non-warranty repairs for a minimal charge. Please see the Authorized Service Center list beginning on page 32 to find the authorized service center nearest you, or call **1-800-348-0751**.
- Please complete and return the enclosed Registration Card today, or call **1-800-348-0751** to register your vehicle by phone, or register on-line at [www.powerwheels.com](http://www.powerwheels.com).

**ELECTRICAL HAZARD** **WARNING**

- Battery can fall out and injure a child if vehicle tips over. Always use battery clamp.
- **PREVENT FIRE**
  - Never modify the electrical system. Alterations could cause a fire resulting in serious injury and could also ruin the electrical system.
  - Use of the wrong type battery or charger could cause a fire or explosion resulting in serious injury.
  - Use of Power Wheels® components in products other than Power Wheels® vehicles could cause overheating, fire or explosion.
- The battery must be handled by adults only. The battery is heavy and contains sulfuric acid (electrolyte). Dropping the battery could result in serious injury.
- Never allow children to charge the battery. Battery charging must be done by adults only. A child could be injured by the electricity involved in charging the battery.
- Read the safety instructions on the battery.
- Examine the battery, charger and their connectors for excessive wear or damage each time you charge the battery. If damage or excessive wear is detected, do not use the charger or the battery until you have replaced the worn or damaged part.
- **HOT** motors. Handle carefully.

**RIDING HAZARD** **WARNING**

- **Prevent Injuries and Deaths**
  - Direct Adult Supervision Required
  - Keep Children Within Safe Riding Areas.  
These areas must be:
    - away from swimming pools and other bodies of water to prevent drownings
    - generally level to prevent tipovers
    - away from steps, cars, driveways, roads and alleys.

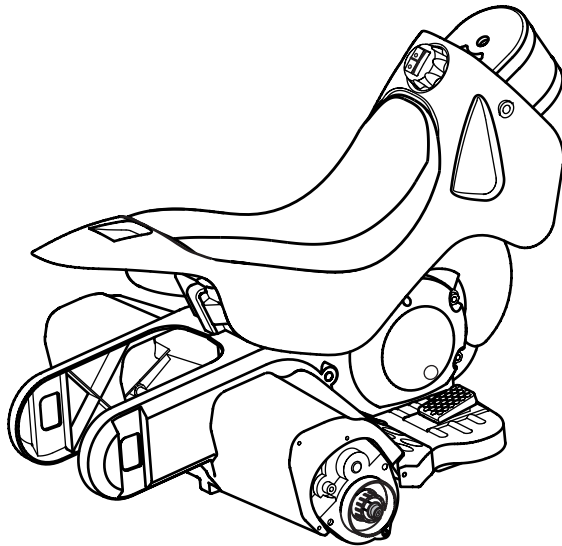
 **CAUTION**

- In the unassembled state, this package contains small parts. Adult assembly is required.
- Use the charger in dry locations only.

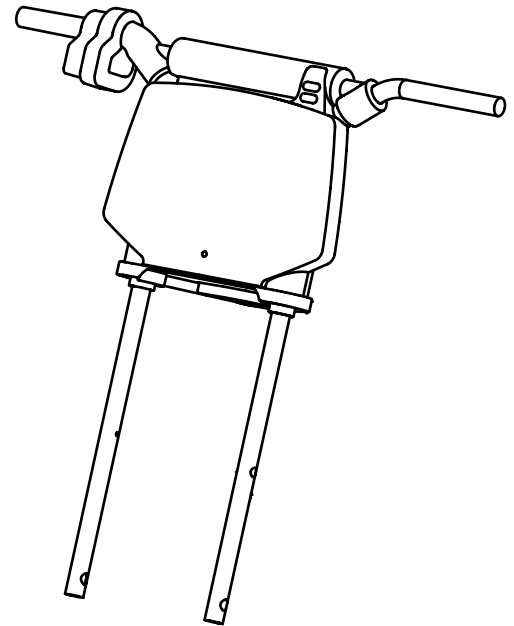
# C

## Parts

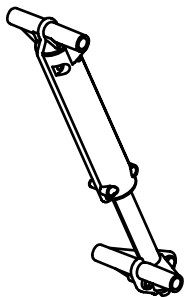
- If you experience a problem with this product, or are missing a part, please call us at **1-800-348-0751**, rather than return this product to the store.
- Please identify all parts before assembly and save all packaging material until assembly is complete to ensure that no parts are discarded.
- Metal parts have been coated with a lubricant to protect them during shipment. Wipe all metal parts with a paper towel to remove any excess lubricant.



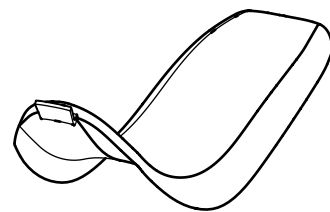
Vehicle Frame



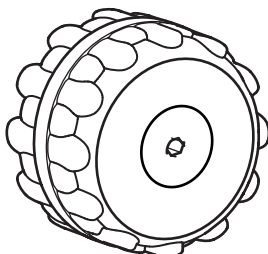
Handlebar Assembly



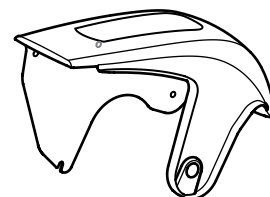
Monoshock



Seat

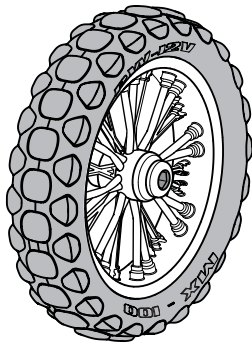


Rear Wheel - 2

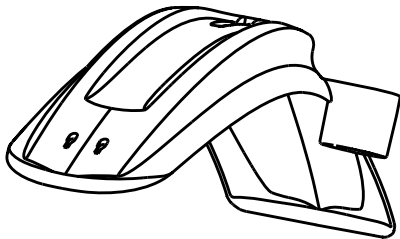


Rear Fender  
(Right and Left)

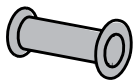
# Parts



Large Wheel - 2



Front Fender



Right Grip with Large Hole



Steering Stop



Driver - 2

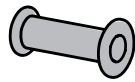


Inside Half

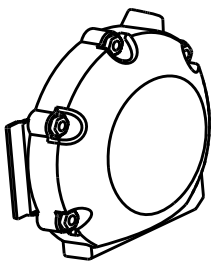


Outside Half

**Axle Retainer - 2 Sets**



Left Grip with Small Hole



Battery Compartment Cover



Drive Axle



Front/Rear Axle - 2



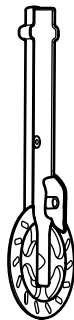
Lower Shock Rod



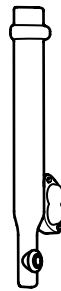
Upper Shock Rod



Fork Axle

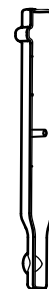


Inside Half

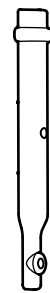


Outside Half

**Left Shock**



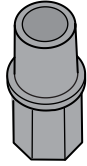
Outside Half



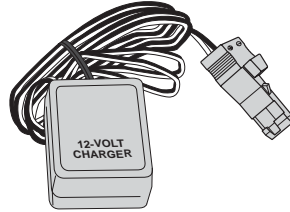
Inside Half

**Right Shock**

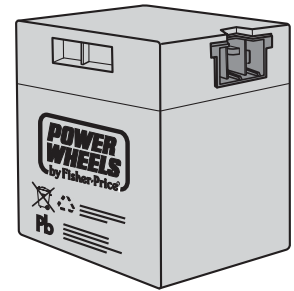
# Parts



Hex Bushing - 6



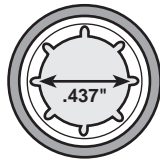
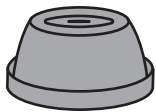
12 Volt Charger



12 Volt Battery

**Not Shown:** Label Sheet

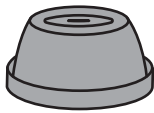
**\*Note:** For your convenience, we have included four extra cap nuts (three .437 and one .354).



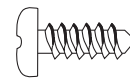
.437 Cap Nut – 7\*



#8 x 3/4" Screw – 14



.354 Cap Nut – 2\*



#10 x 1/2" Screw - 2

**All Fasteners Shown Actual Size**



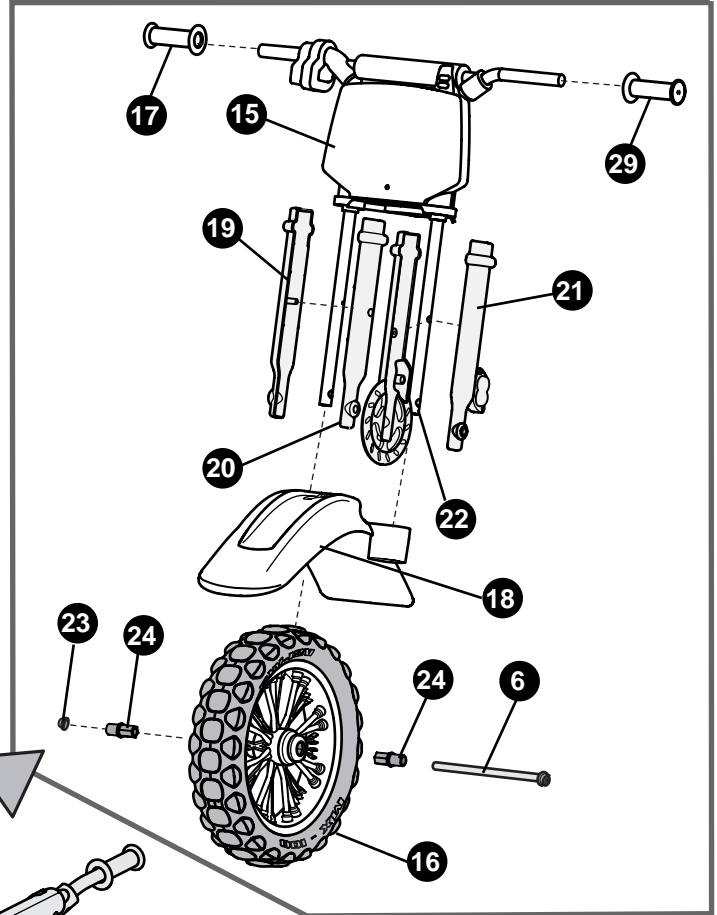
# D

## Parts Diagram

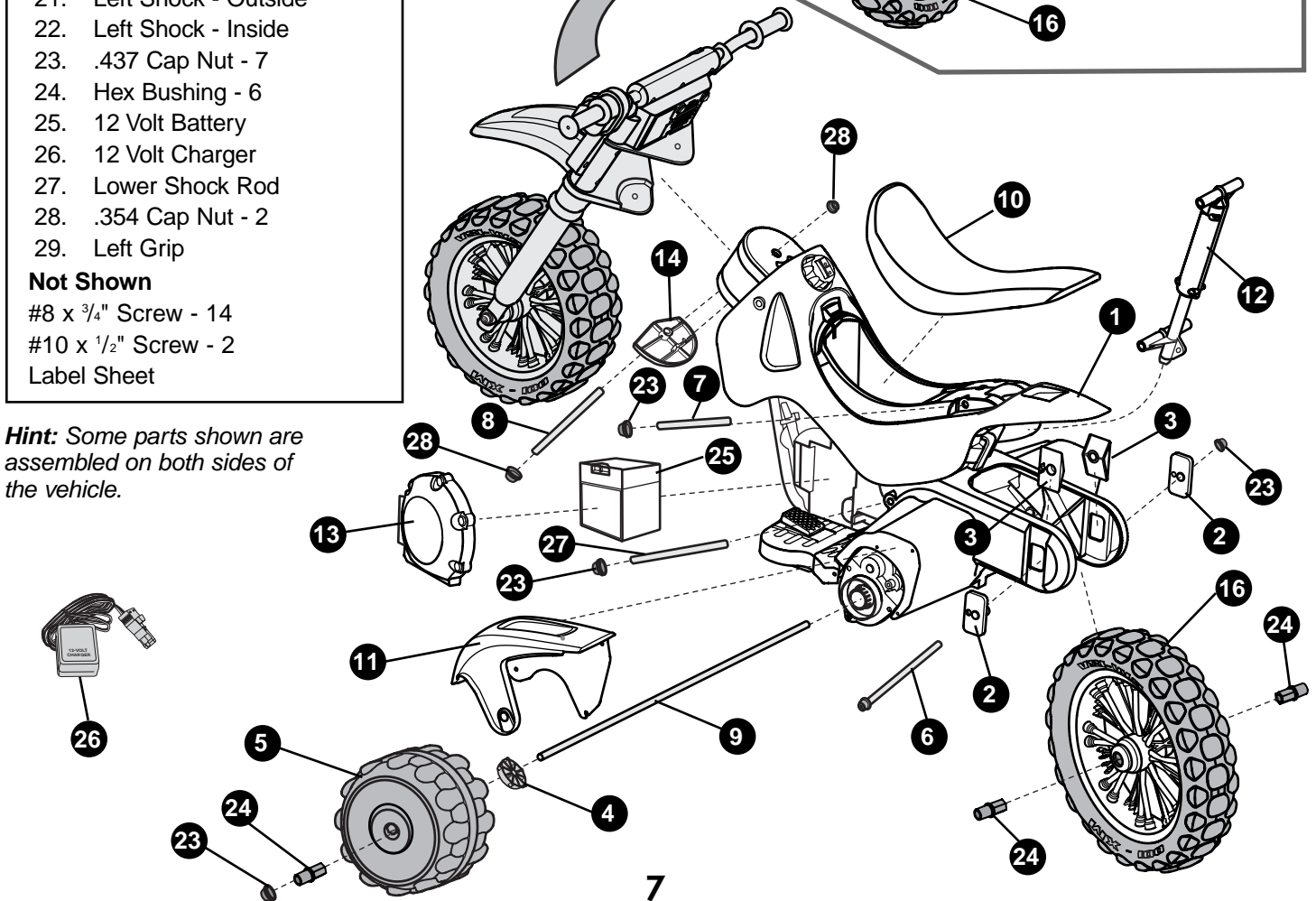
1. Vehicle Frame
2. Axle Retainer (Outside) - 2
3. Axle Retainer (Inside) - 2
4. Driver - 2
5. Rear Wheel - 2
6. Front/Rear Axle - 2
7. Upper Shock Rod
8. Fork Axle
9. Drive Axle
10. Seat
11. Rear Fender (Right and Left) - 2
12. Monoshock
13. Battery Compartment Cover
14. Steering Stop
15. Handlebar Assembly
16. Large Wheel - 2
17. Right Grip
18. Front Fender
19. Right Shock - Outside
20. Right Shock - Inside
21. Left Shock - Outside
22. Left Shock - Inside
23. .437 Cap Nut - 7
24. Hex Bushing - 6
25. 12 Volt Battery
26. 12 Volt Charger
27. Lower Shock Rod
28. .354 Cap Nut - 2
29. Left Grip

### Not Shown

- #8 x 3/4" Screw - 14
- #10 x 1/2" Screw - 2
- Label Sheet



Detailed View of Front End Assembly Shown Above



**Hint:** Some parts shown are assembled on both sides of the vehicle.

**ELECTRICAL HAZARD** **WARNING**

- Battery can fall out and injure a child if vehicle tips over. Always use battery clamp.
- **PREVENT FIRE**
  - Never modify the electrical system. Alterations could cause a fire resulting in serious injury and could also ruin the electrical system.
  - Use of the wrong type battery or charger could cause a fire or explosion resulting in serious injury.
  - Use of Power Wheels® components in products other than Power Wheels® vehicles could cause overheating, fire or explosion.
- The battery must be handled by adults only. The battery is heavy and contains sulfuric acid (electrolyte). Dropping the battery could result in serious injury.
- Never allow children to charge the battery. Battery charging must be done by adults only. A child could be injured by the electricity involved in charging the battery.
- Read the safety instructions on the battery.
- Examine the battery, charger and their connectors for excessive wear or damage each time you charge the battery. If damage or excessive wear is detected, do not use the charger or the battery until you have replaced the worn or damaged part.

 **CAUTION**

Use the charger in dry locations only.

**About Thermal Fuses**

Your Power Wheels 12 volt battery with 12 volt connector is equipped with a built-in thermal fuse. The thermal fuse is a self-resetting safety device which automatically “trips” and shuts down operation of the vehicle if the vehicle is overloaded or the driving conditions too severe. Once a fuse has “tripped”, it will automatically reset itself after approximately 25 seconds and allow the vehicle to resume normal operations. To avoid repeated automatic shut-downs, do not overload the vehicle by exceeding the 65 lbs (29.5 kg.) maximum weight capacity or by towing anything behind the vehicle. Avoid severe driving conditions, such as driving up slopes or running into fixed objects, which can cause the wheels to stop spinning while power is still being supplied to the motors and make sure your child stops the vehicle before switching speeds or direction.

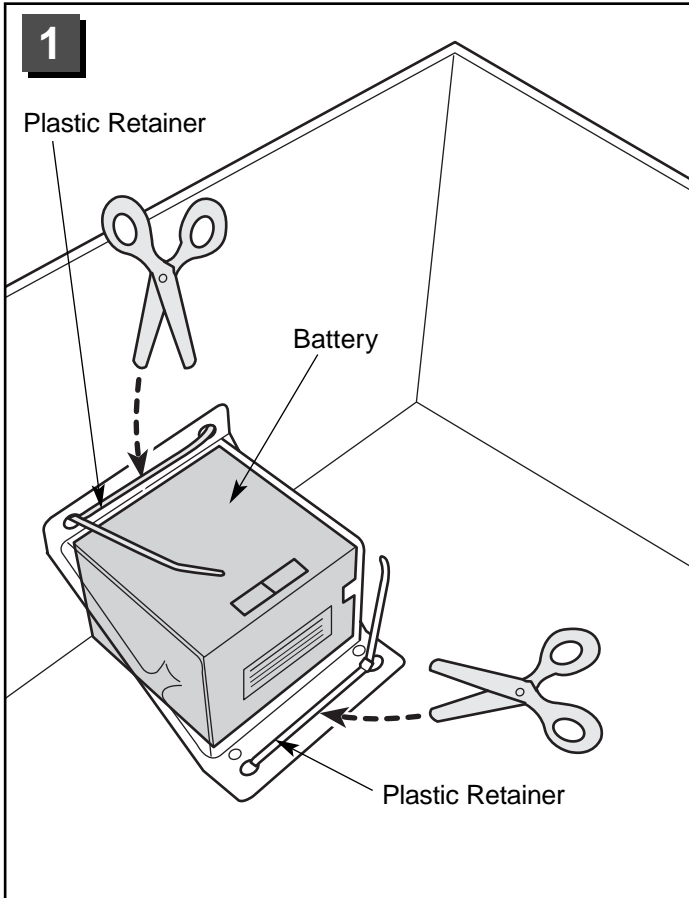
If a thermal fuse in a battery continually trips under normal driving conditions, please contact your local Power Wheels® Authorized Service Center. For the location of the Authorized Service Center nearest to you, see page 32, or register on-line at [www.powerwheels.com](http://www.powerwheels.com).

**Important Notes**

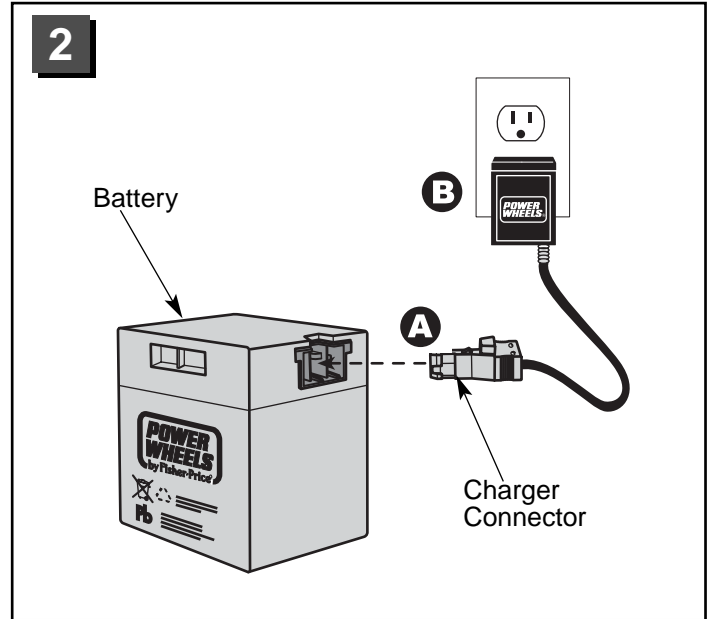
- **Your new battery must be charged for at least 18 hours before you use it in your vehicle for the first time.**
- We recommend that you start charging your battery before beginning assembly of your new vehicle.
- The battery must be upright while charging.
- The charger is not a toy.
- Do not short circuit the battery.
- You do not need to remove the battery from your vehicle to recharge it.
- Before charging the battery, examine the battery case for cracks and other damage which may cause sulfuric acid (electrolyte) to leak during the charging process. If damage is detected, do not charge the battery or use it in your vehicle. Battery acid is very corrosive and can cause severe damage to surfaces it contacts.
- Do not charge the battery on a surface (such as kitchen counter tops) which could be damaged by the acid contained inside the battery. Take precautions to protect the surface on which you charge your battery.
- Use only a Power Wheels® 12 volt charger with 12V connector (120 VAC, 60 Hz, 15W with an output of 12 VDC, 1200 mA, 7.2W) to charge your Power Wheels® 12 volt battery.
- If your battery is old and will not accept a charge, do not leave it in the vehicle. Always remove a dead battery from the vehicle.



# Battery Charging



- Using safety scissors, cut the plastic retainers holding the battery in the packaging.
- Remove the battery from the packaging.
- Throw the packaging and plastic retainers away.



- Plug the charger connector into the battery **A**.
- Plug the charger into a standard 120 volt wall outlet **B**.

**Note:** If power flow to the wall outlet is controlled by a switch, make sure the switch is "ON".

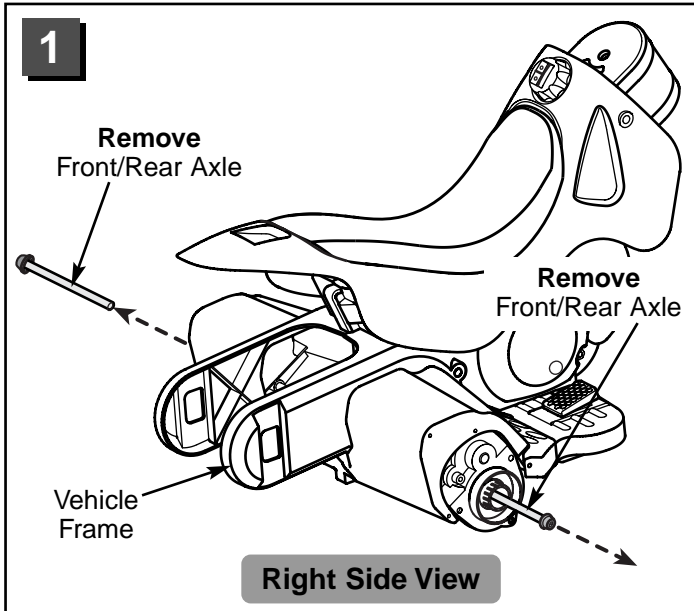
- Before first-time use, charge the battery for **at least 18 hours**. Never charge the battery longer than 30 hours.
- Recharge the battery for at least 14 hours after each use of your vehicle. Do not charge the battery longer than 30 hours.
- Once the battery is charged, pull firmly on the charger connector to disconnect it from the battery. Unplug the charger from the wall outlet. The battery is now ready to be installed in your vehicle. Please see the Battery Installation section on page 24 for detailed instructions on installing your battery. If your battery is already installed in your vehicle, simply plug the motor harness connector into the battery and replace the seat.

# F

## Assembly

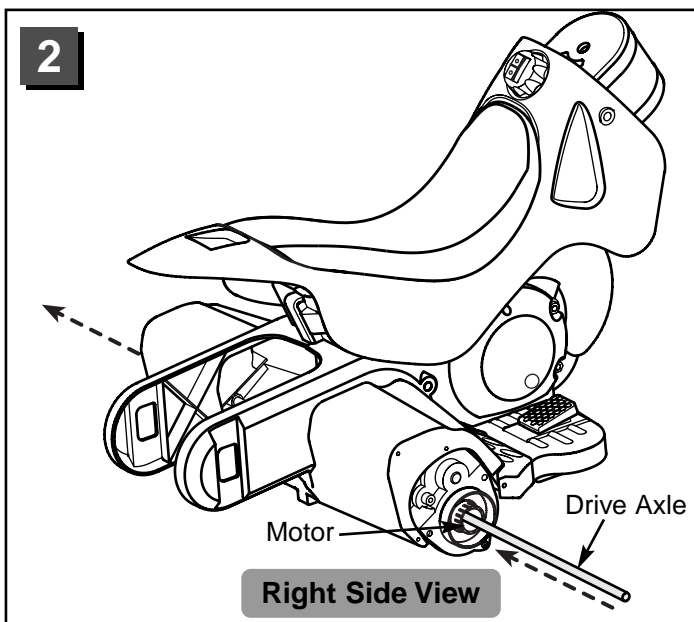
### ⚠ WARNING

Children can be harmed by small parts, sharp edges and sharp points in the vehicle's unassembled state, or by electrical items. Care should be taken in unpacking and assembly of the vehicle. Children should not handle parts, including the battery, or help in assembly of the vehicle.

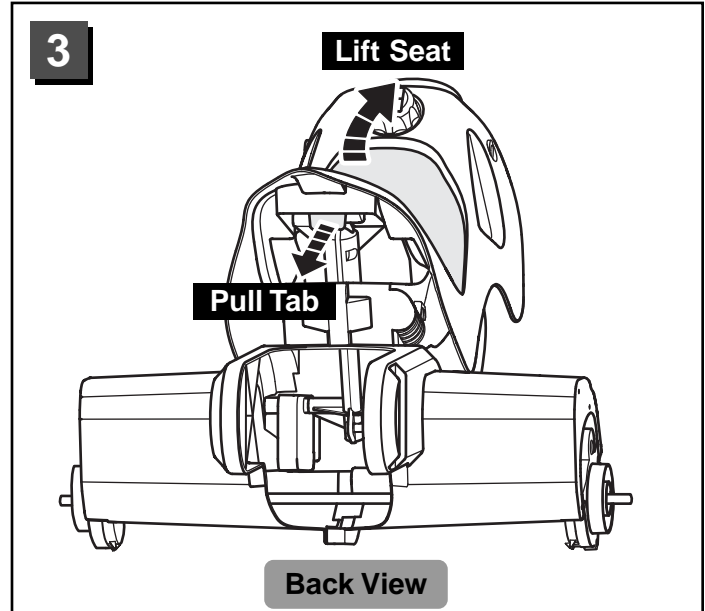


- **Carefully** remove the two front/rear axles from the motors inside the vehicle frame.

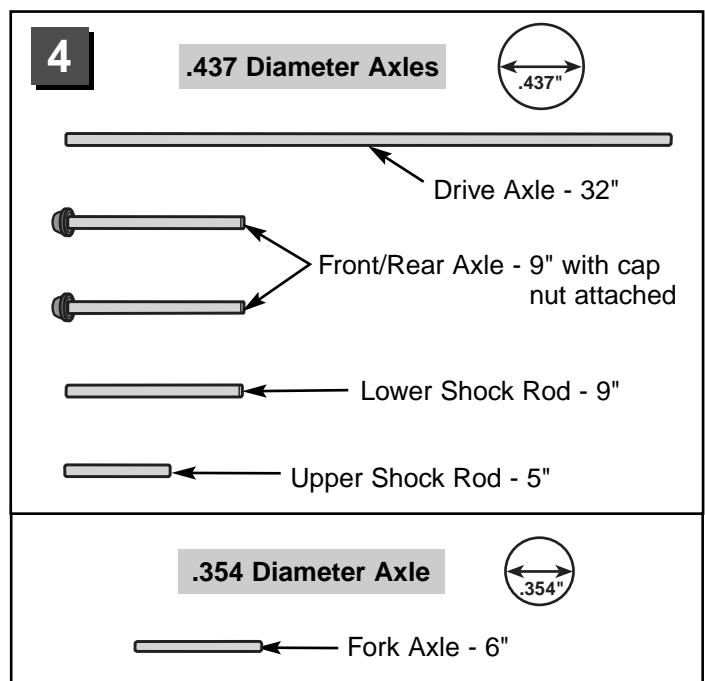
*Hint: Keep the motors in place in the vehicle frame for the next assembly step.*



- Slide the drive axle through a motor, the back end of the vehicle frame and out through the other motor.



- Pull the seat tab on the back end of the vehicle frame.
- Lift to remove the seat.



- Identify the drive axle, front/rear axles, lower shock rod, upper shock rod and fork axle.

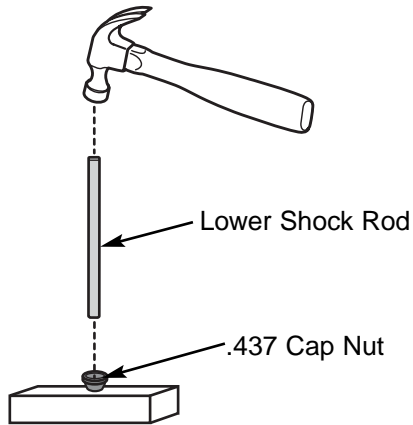
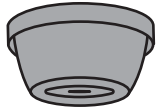
# Assembly

5

.437 Cap Nut



.437"



Lower Shock Rod

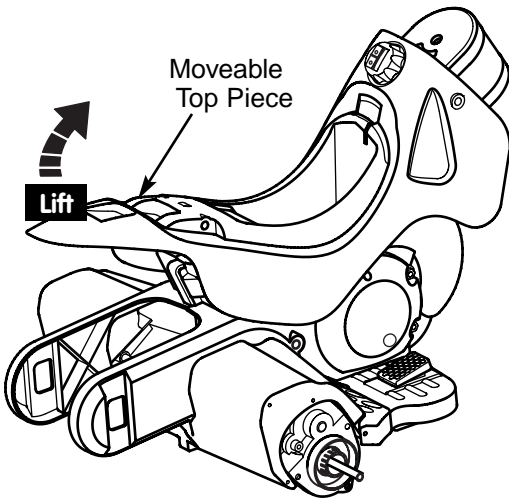
.437 Cap Nut

- Place a .437 cap nut on a flat surface, inside up, as shown.

**Hint:** You may want to place a scrap block of wood underneath the cap nut to protect the assembly surface.

- Fit the lower shock rod into the cap nut.
- Tap the opposite end of the lower shock rod with a hammer to secure the cap nut on the lower shock rod. Pull on the cap nut to be sure it is secure.

6



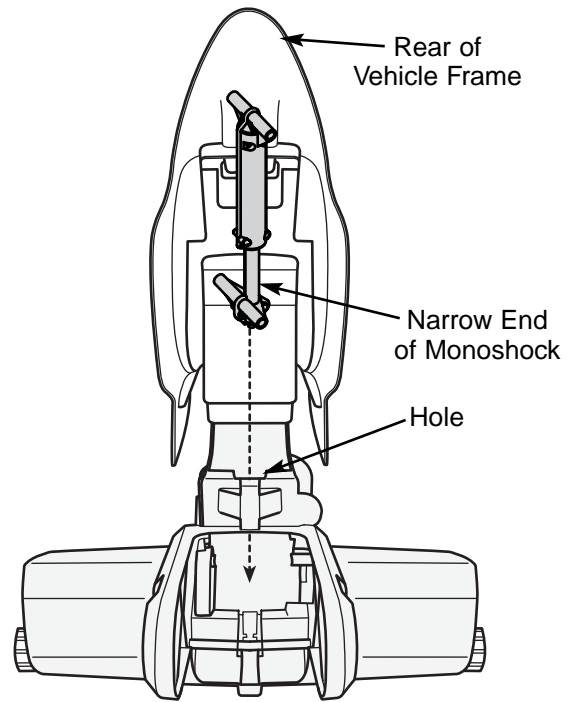
Moveable Top Piece

Lift

Right Side View

- Lift the moveable top piece of the vehicle frame.

7



Rear of Vehicle Frame

Narrow End of Monoshock

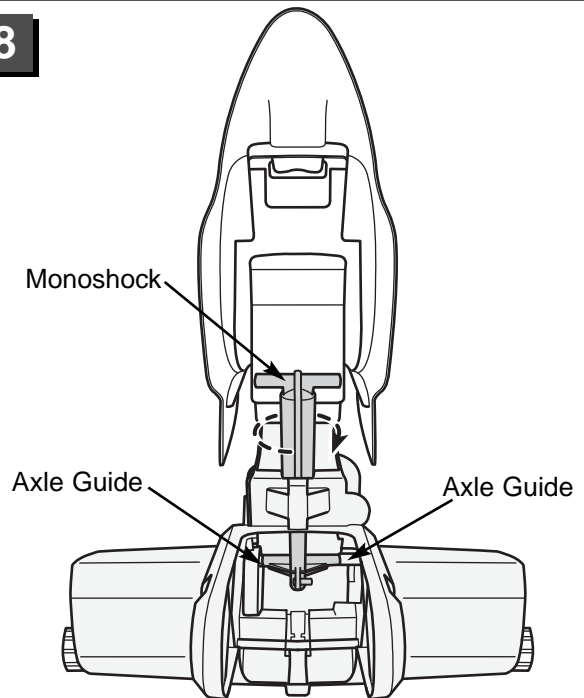
Hole

Top View

**Note:** The illustration above does not show the moveable top piece of the vehicle frame.

- Insert the narrow end of the monoshock into the hole in the top of the frame, as shown.

8



Monoshock

Axle Guide

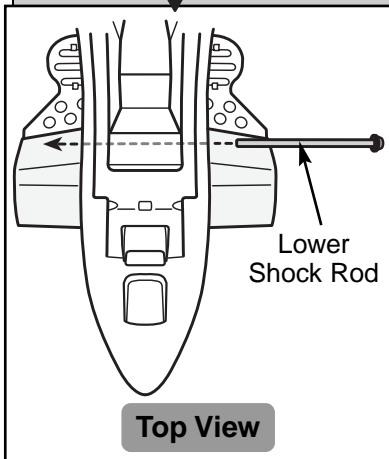
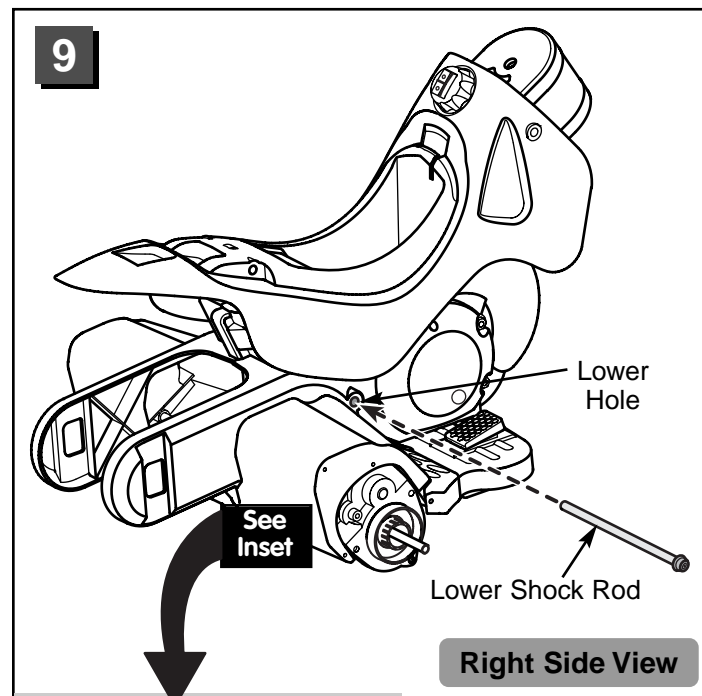
Axle Guide

Top View

- Turn the monoshock so the bottom fits into the axle guides inside the frame.

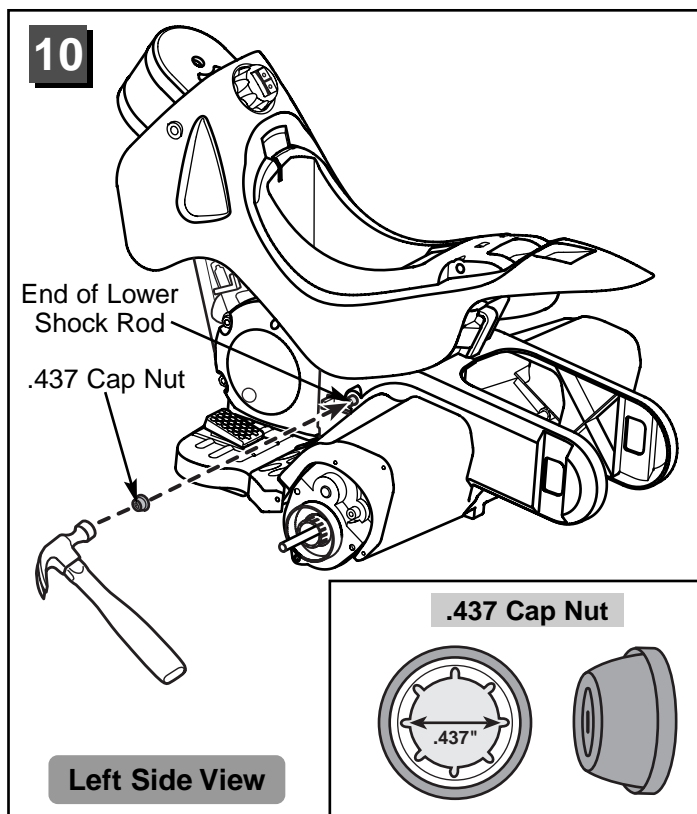
11

# Assembly



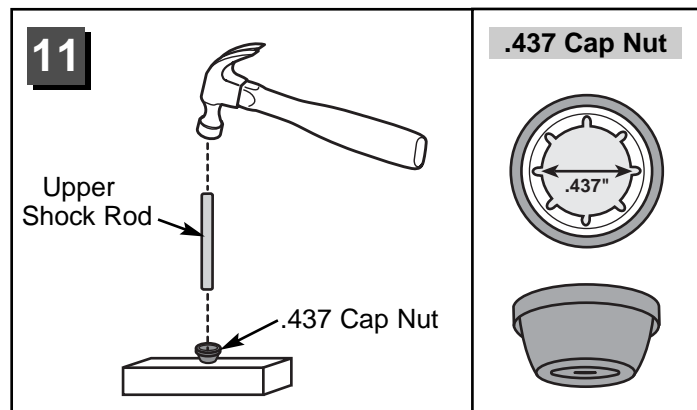
- Lower the moveable top piece of the vehicle frame.
- Slide the lower shock rod into the lower hole in the vehicle frame, through the lower portion of the monoshock and out through the other side of the vehicle frame.

**Hint:** You may want to hold the monoshock in position to fit the lower shock rod through it.



- Fit a .437 cap nut on the other end of the lower shock rod.
- Tap the cap nut with a hammer to secure the cap nut on the frame axle. Pull on the cap nut to be sure it is secure.

**Hint:** You may need the help of another adult to support the other end of the lower shock rod while you tap the cap nut.

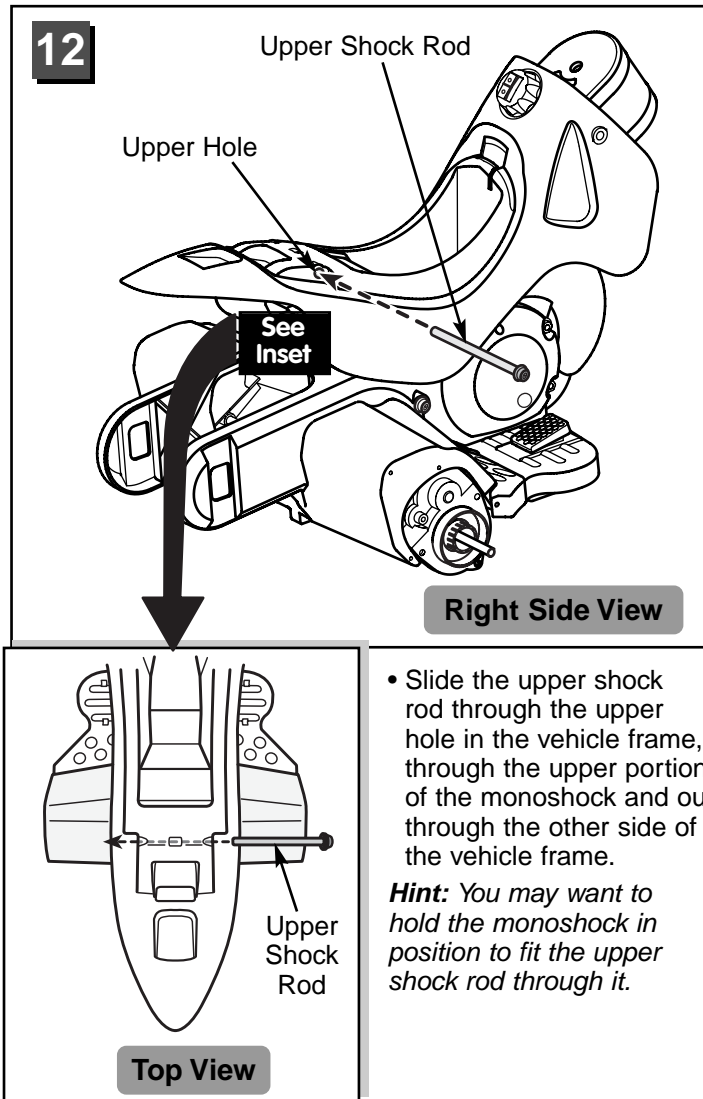


- Place a .437 cap nut on a flat surface, inside up, as shown.

**Hint:** You may want to place a scrap block of wood underneath the cap nut to protect the assembly surface.

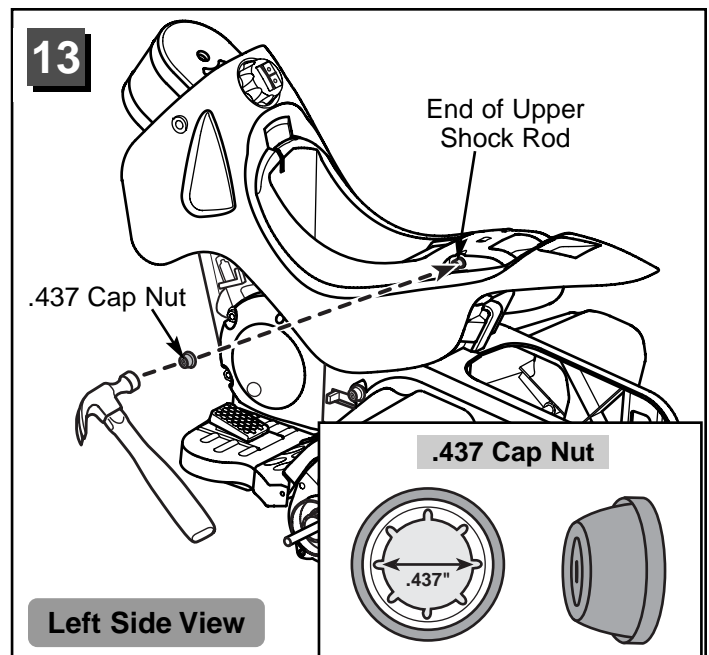
- Fit the upper shock rod into the cap nut.
- Tap the opposite end of the upper shock rod with a hammer to secure the cap nut in the upper shock rod. Pull on the cap nut to be sure it is secure.

# Assembly



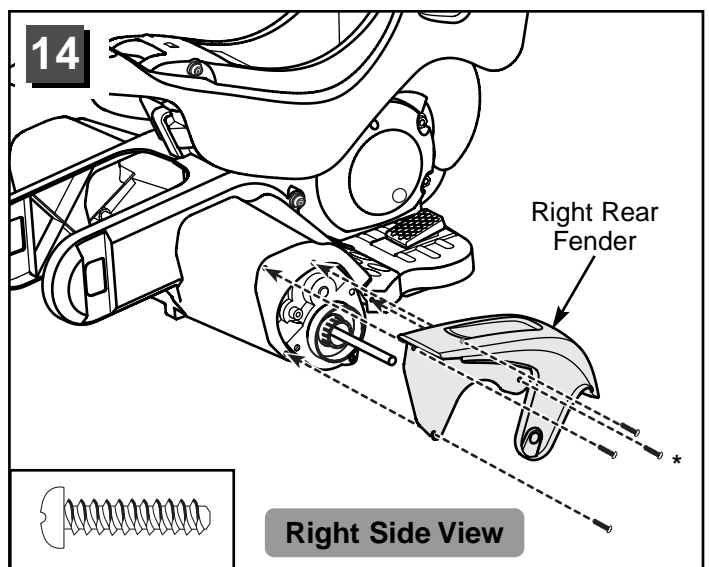
- Slide the upper shock rod through the upper hole in the vehicle frame, through the upper portion of the monoshock and out through the other side of the vehicle frame.

**Hint:** You may want to hold the monoshock in position to fit the upper shock rod through it.



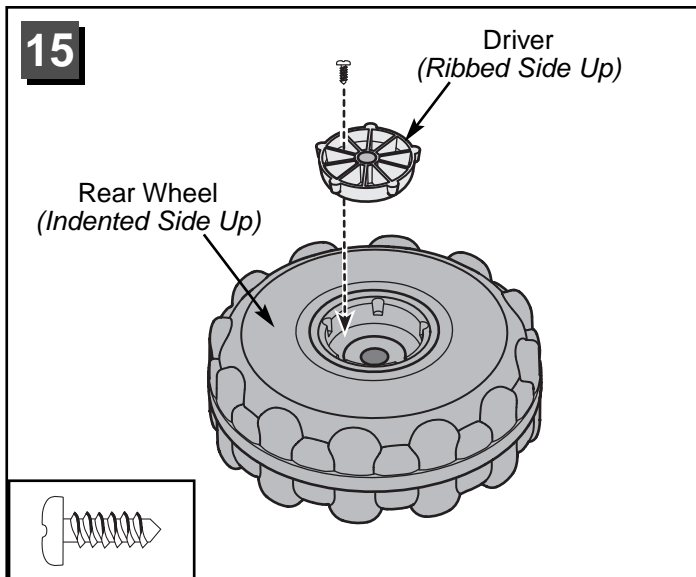
- Fit a .437 cap nut on the other end of the upper shock rod.
- Tap the cap nut with a hammer to secure the cap nut on the upper shock rod. Pull on the cap nut to be sure it is secure.

**Hint:** You may need the help of another adult to support the other end of the upper shock rod.

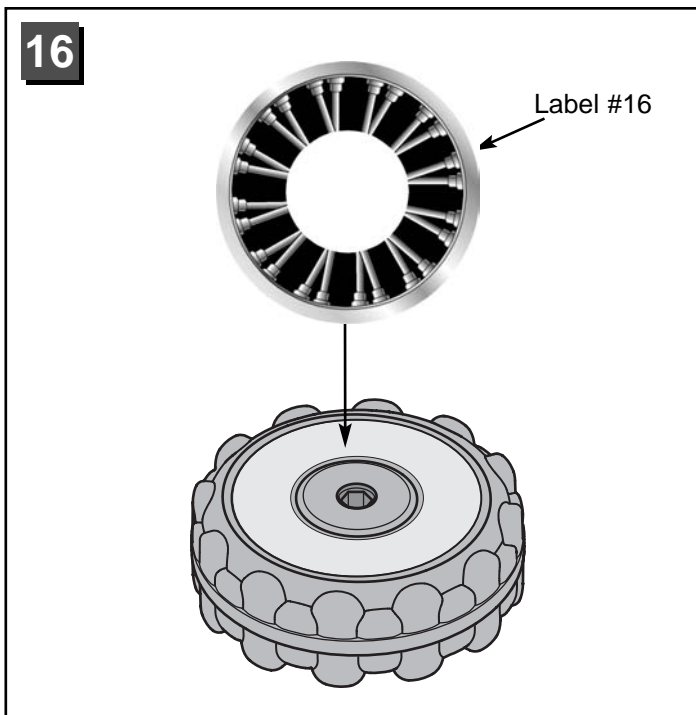


- Place the right rear fender on the side of the vehicle frame, as shown.
  - Insert four #8 x 3/4" screws through the right rear fender and into the vehicle frame.
- \*Note:** The most forward screw should insert into the fender, through the footboard and then into the vehicle frame.
- Tighten the screws with a Phillips screwdriver. Do not over-tighten.
  - Repeat this procedure to to attach the left rear fender to the vehicle frame.

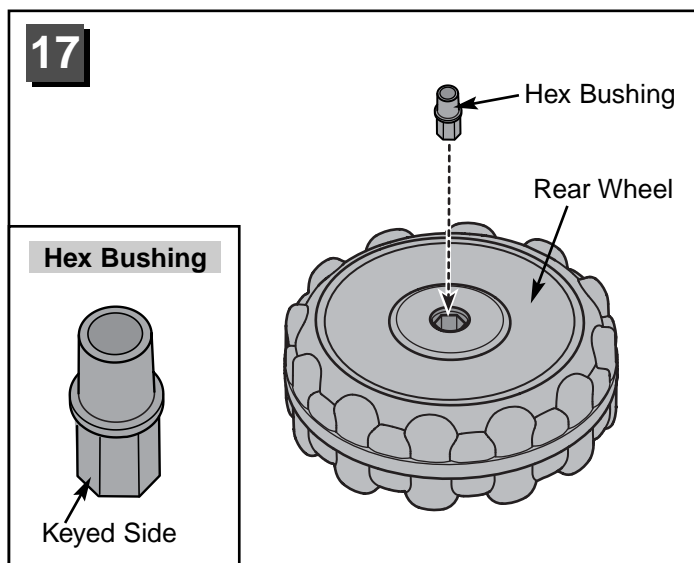
# Assembly



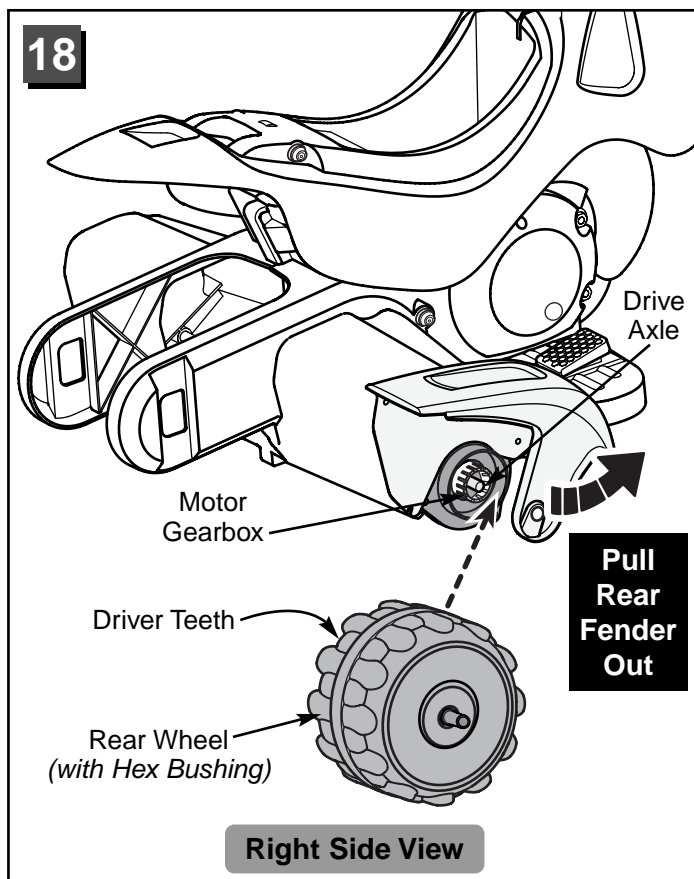
- Position a rear wheel with indented side up.
- Position the driver so that the ribbed side is up.
- Fit the driver into the rear wheel, as shown.
- Insert a #10 x 1/2" screw through one of the holes in the driver and into the rear wheel. Tighten the screw with a Phillips screwdriver. Do not over-tighten.
- Repeat this procedure to assemble the other driver into the other rear wheel.



- Position the rear wheel with the driver side down.
- Before applying labels to the rear wheels, wipe each wheel with a clean, dry cloth to make sure it is free of dirt and oils. Make sure your hands are clean.
- Apply label #16 to each rear wheel, as shown.



- Fit a hex bushing, keyed side down, into the center hole in of each rear wheel.

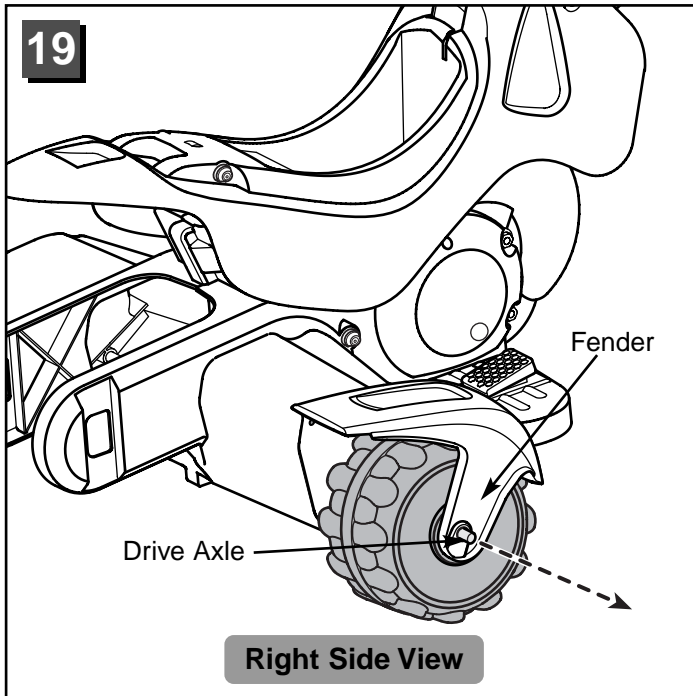


- Pull a rear fender out slightly to fit a rear wheel onto the end of the drive axle.

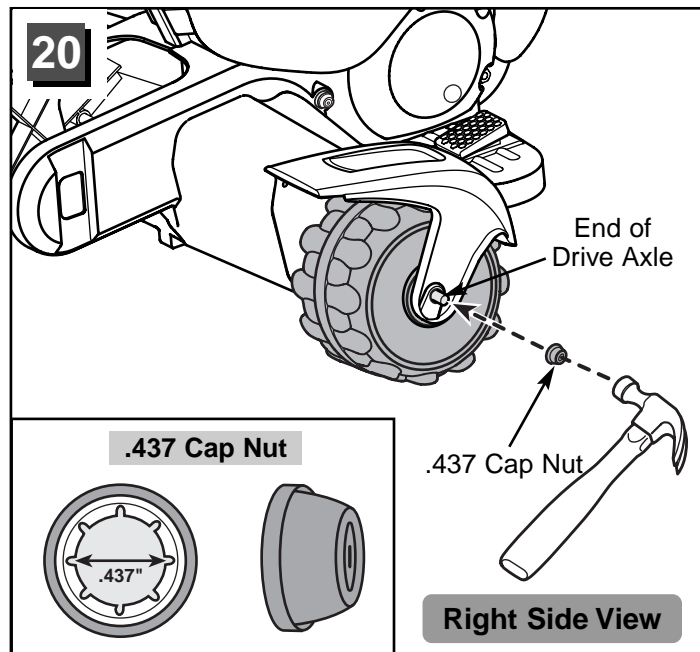
**Note:** Make sure the teeth in the rear wheel driver fit into the motor gearbox.



# Assembly



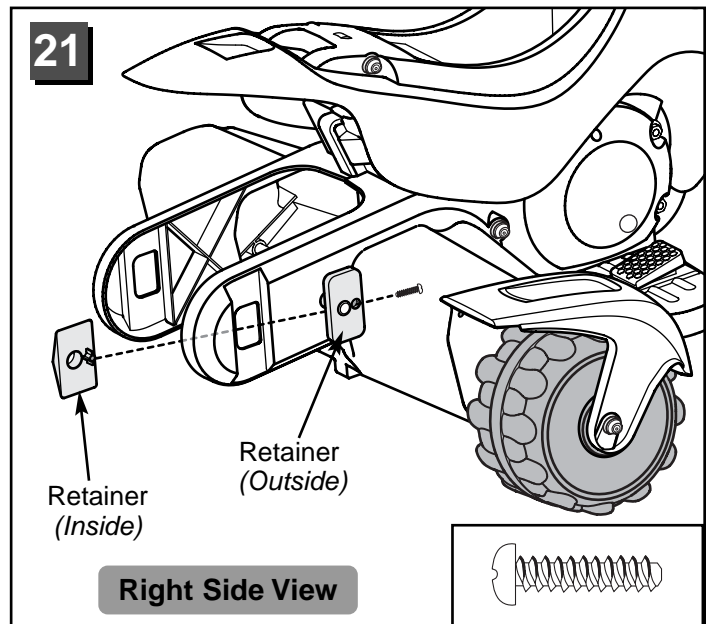
- Slide the drive axle through the hole in the rear fender until it sticks out about  $\frac{3}{4}$ ".



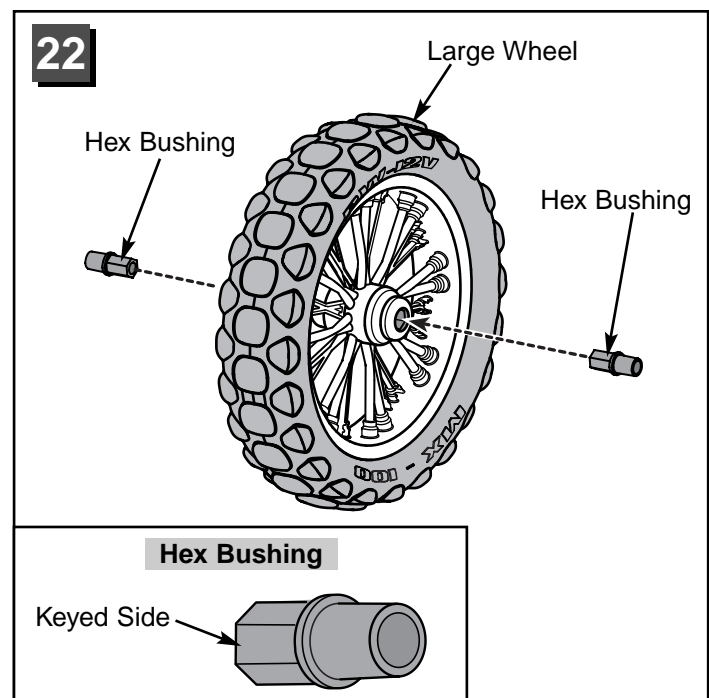
- Fit a .437 cap nut onto the end of the drive axle.
- Tap the cap nut with a hammer to secure the cap nut on the drive axle. Pull on the cap nut to be sure it is secure.

**Hint:** You may need the help of another adult to support the other end of the drive axle while you tap the cap nut.

- Repeat steps 18 through 20 to assemble the other rear wheel onto the other end of the drive axle.

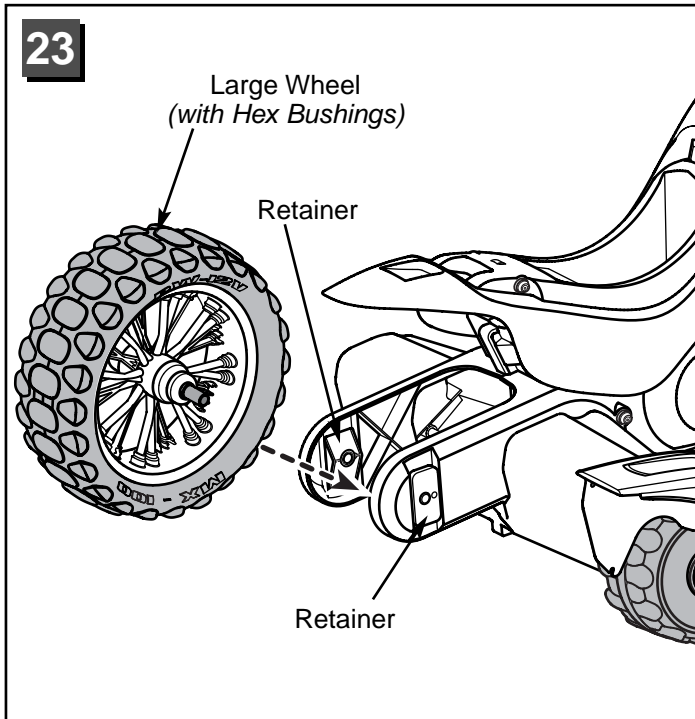


- Fit a retainer to the inside and outside of the back end of the vehicle frame, as shown.
- Insert a #8 x  $\frac{3}{4}$ " screw through the outside retainer and into the inside retainer.
- Tighten the screws with a Phillips screwdriver. Do not over-tighten.
- Repeat this procedure to attach the other retainers (inside and outside) to the other side of the back end of the vehicle frame.

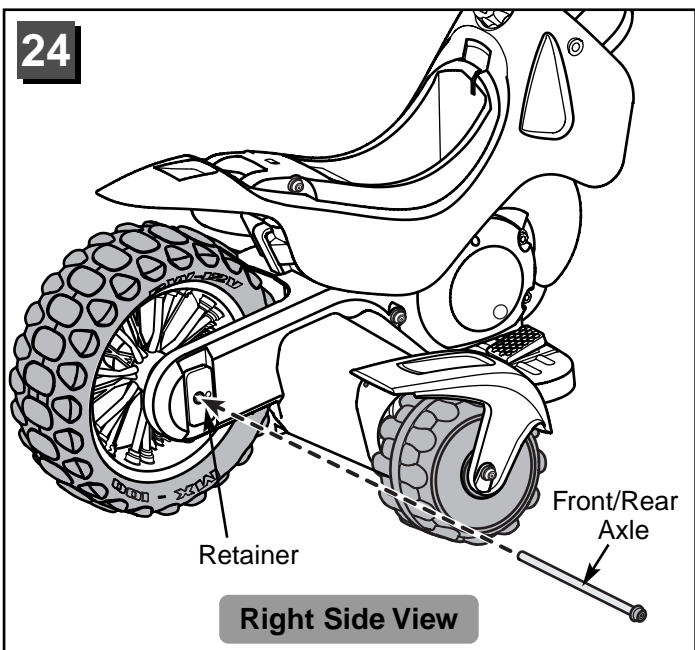


- Fit a hex bushing, keyed side first, into the center hole in each side of a large wheel, as shown.
- Repeat this procedure to assemble the remaining hex bushing to the other large wheel.

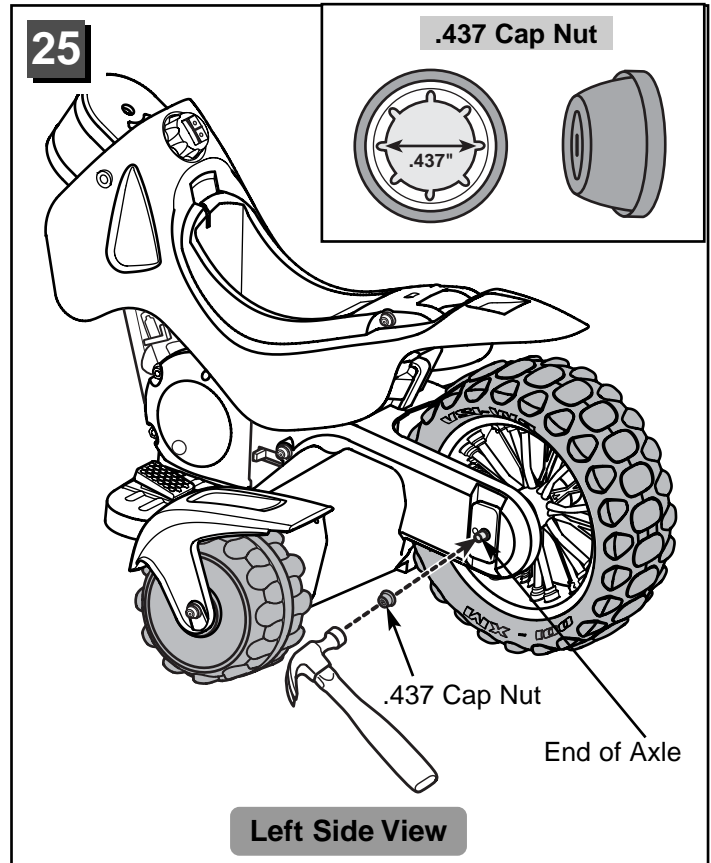
# Assembly



- Fit one of the large wheels (with hex bushings) between the retainers on the back end of the vehicle frame.



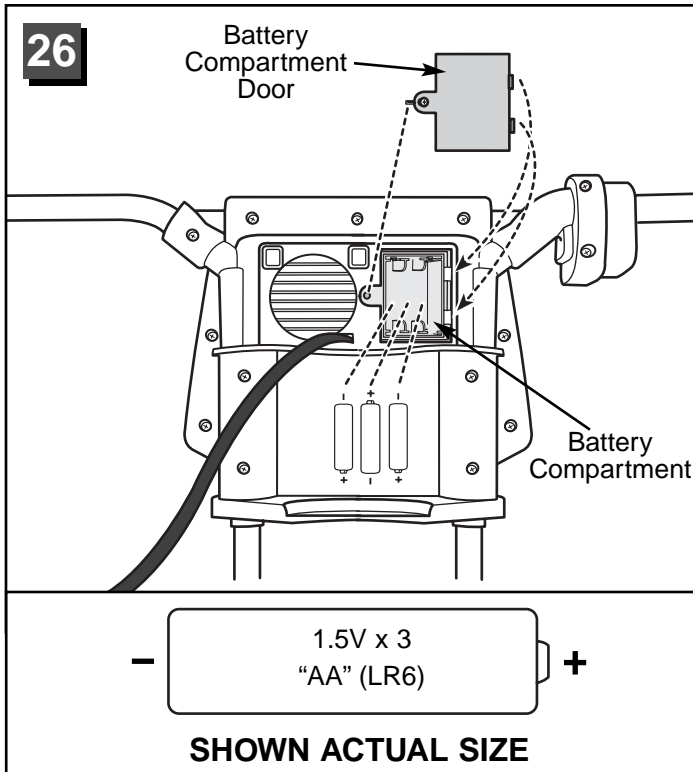
- Slide a front/rear axle through the retainer, large wheel and out through the opposite retainer.



- Fit a .437 cap nut onto the end of the front/rear axle.
- Tap the cap nut with a hammer to secure the cap nut on the front/rear axle. Pull on the cap nut to be sure it is secure.

**Hint:** You may need the help of another adult to support the other end of the front/rear axle while you tap the cap nut.

# Assembly



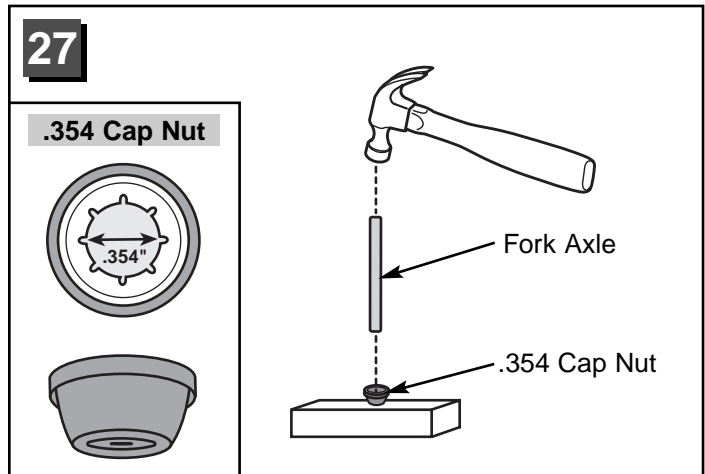
- Place the handlebar assembly face down on a flat surface.
- Loosen the screw in the sound box battery compartment door using a Phillips screwdriver and open the battery compartment.
- Insert three “AA” (LR6) **alkaline** batteries in the sound box as indicated in the battery compartment.

**Hint:** For longest battery life, use only **alkaline** batteries.

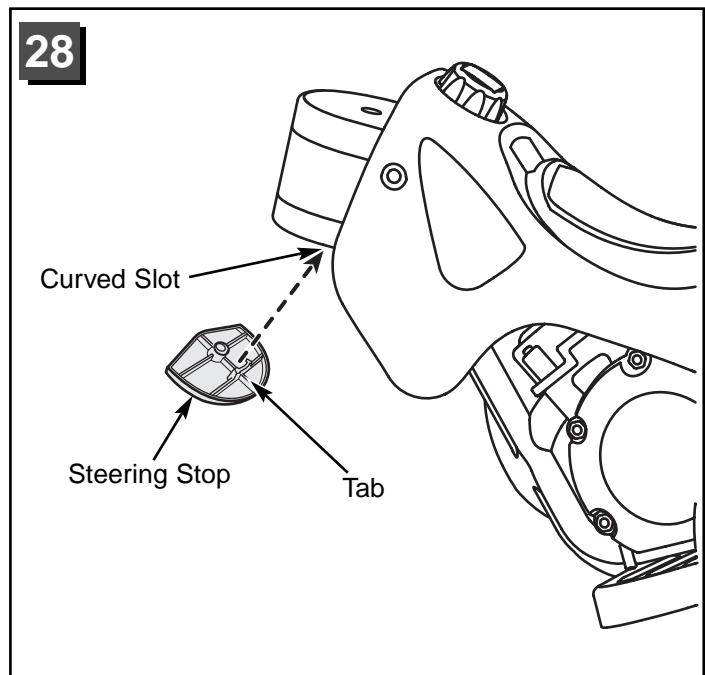
- Close the battery compartment door and tighten the screw using a Phillips screwdriver. Do not over-tighten.

## Battery Tips

- Do not mix old and new batteries.
- Do not mix different types of batteries: alkaline, standard (carbon-zinc) or rechargeable (nickel-cadmium).
- Remove the batteries during long periods of non-use. Always remove exhausted batteries from the sound box. Battery leakage and corrosion can cause damage. Dispose of batteries safely.
- Never short circuit the battery terminals.
- Non-rechargeable batteries are not to be recharged.
- Only batteries of the same or equivalent type as recommended in these instructions are to be used.
- If removable rechargeable batteries are used, they are only to be charged under adult supervision.
- Rechargeable batteries are to be removed from the sound box before they are charged.
- If you use a battery charger, it should be examined regularly for damage to the cord, plug, enclosure and other parts. Do not use a damaged battery charger until it has been properly repaired.
- When sound from the vehicle becomes faint, or if the sound stops working, it's time to replace the batteries.

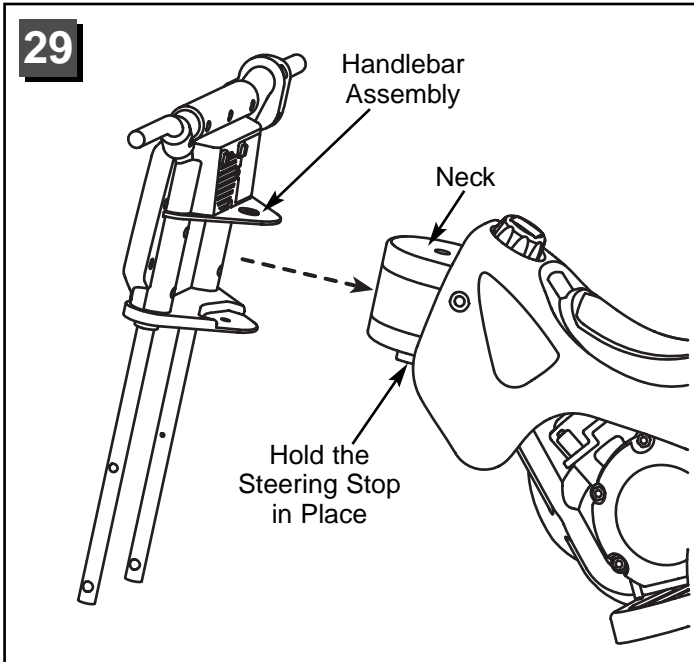


- Place a .354 cap nut on a flat surface, inside up, as shown.
- Hint:** You may want to place a scrap block of wood underneath the cap nut to protect the assembly surface.
- Fit the fork axle into the cap nut.
  - Tap the opposite end of the fork axle with a hammer to secure the cap nut in the fork axle. Pull on the cap nut to be sure it is secure.

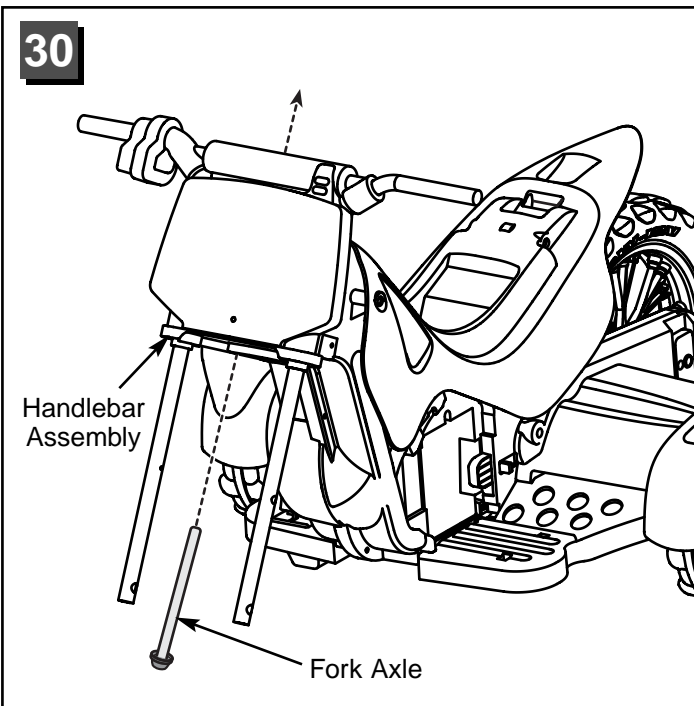


- Fit the tab on the steering stop into the curved slot in the front end of the vehicle frame.
- Hold the steering stop in place.

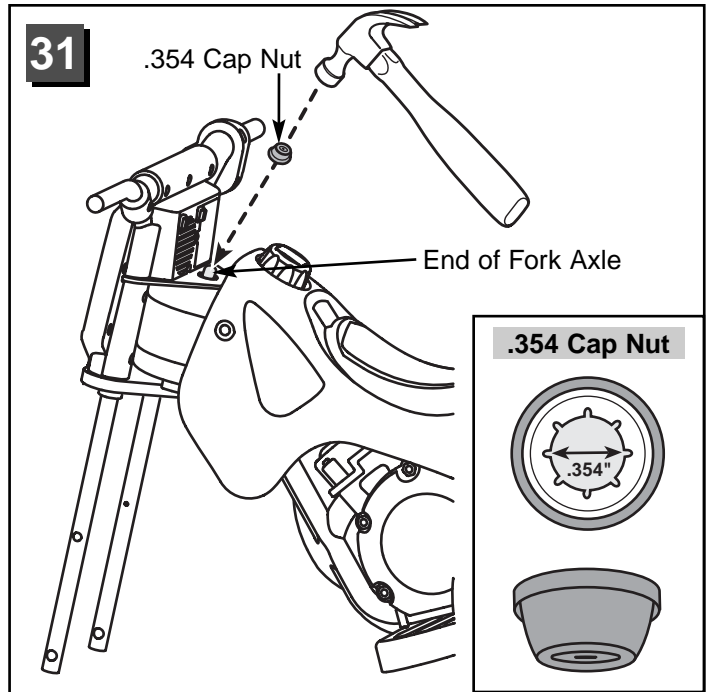
# Assembly



- While holding the steering stop in place, slide the handlebar assembly onto the neck of the vehicle frame.

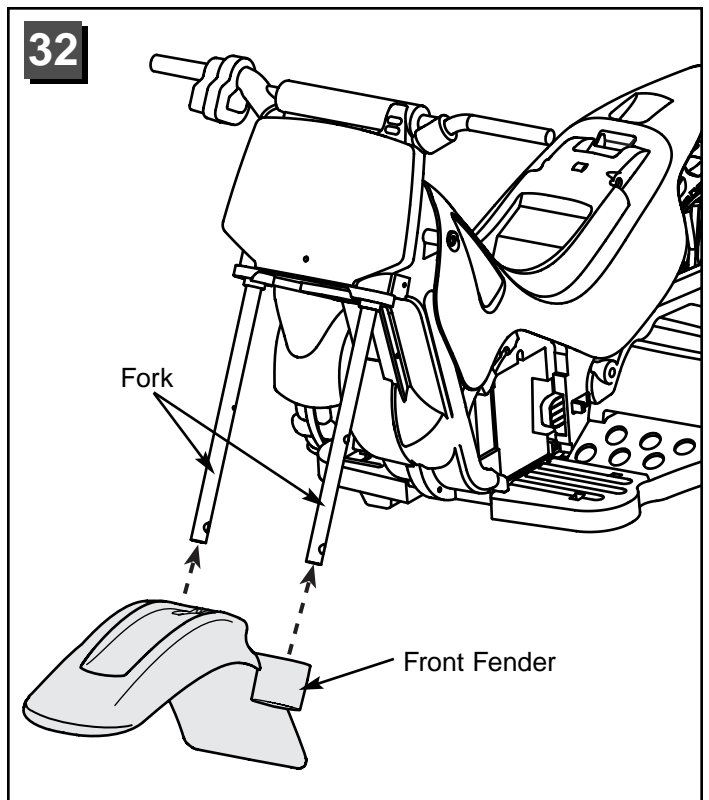


- Slide the fork axle up through the hole in the handlebar assembly, steering stop, vehicle frame and out through the upper hole in the handlebar assembly.



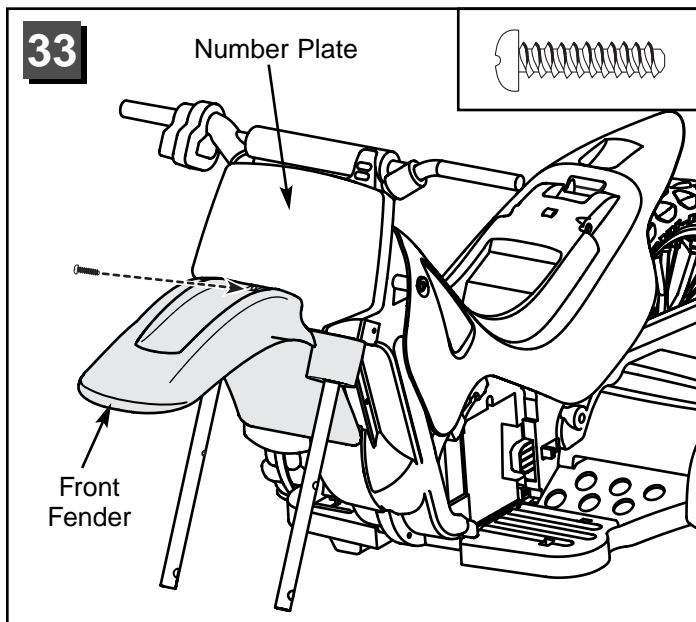
- Fit a .354 cap nut onto the end of the fork axle.
- Tap the cap nut with a hammer to secure the cap nut on the fork axle. Pull on the cap nut to be sure it is secure.

*Hint:* You may need the help of another adult to support the other end of the fork axle while you tap the cap nut.

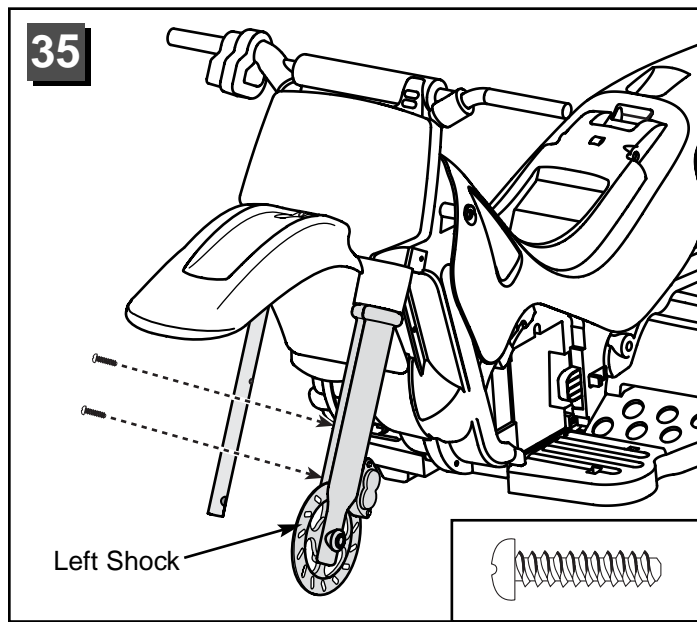


- Slide the front fender onto the ends of the fork.

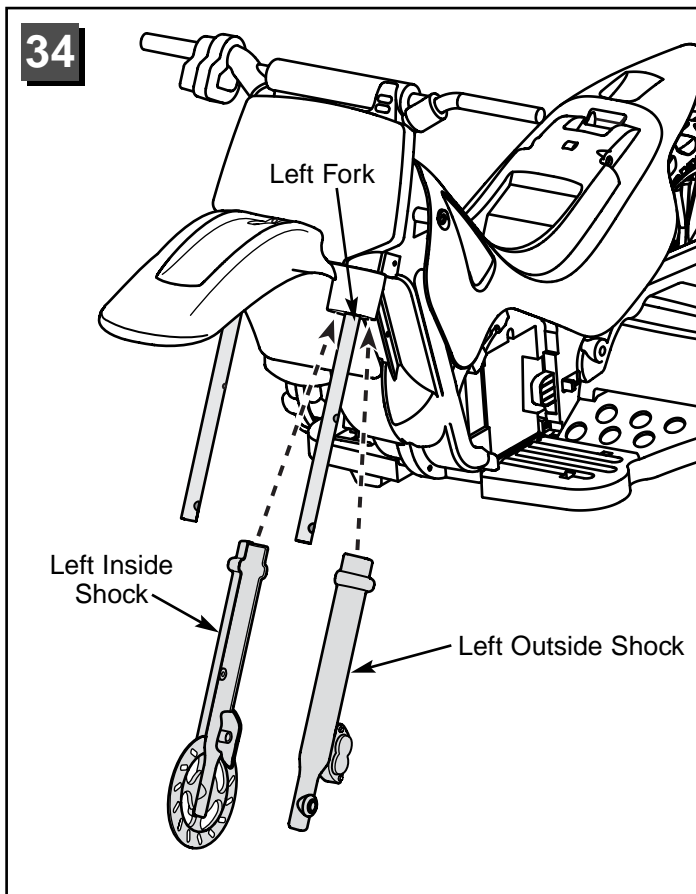
# Assembly



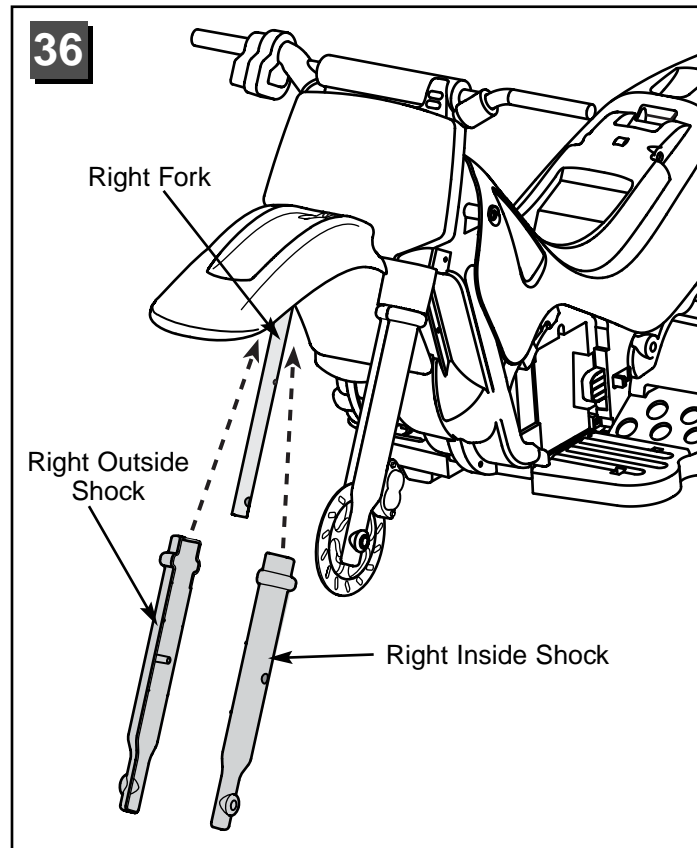
- Insert a #8 x 3/4" screw through the number plate and into the front fender.
- Tighten the screw with a Phillips screwdriver. Do not over-tighten.



- Insert two #8 x 3/4" screws through the left shock to secure it to the left fork.
- Tighten the screws with a Phillips screwdriver. Do not over-tighten.



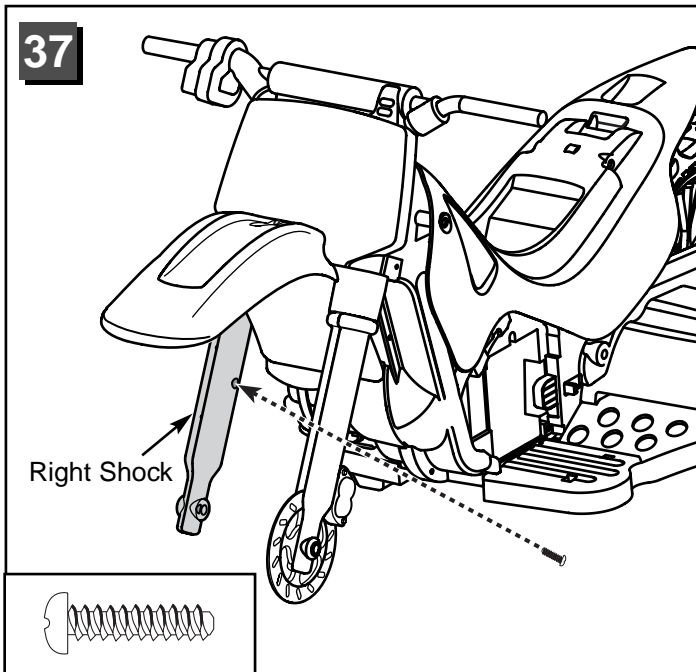
- Fit the left outside shock (see "L" on inside) to the outside of the left fork.
- Fit the left inside shock (see "L" on inside) onto the inside of the left fork.



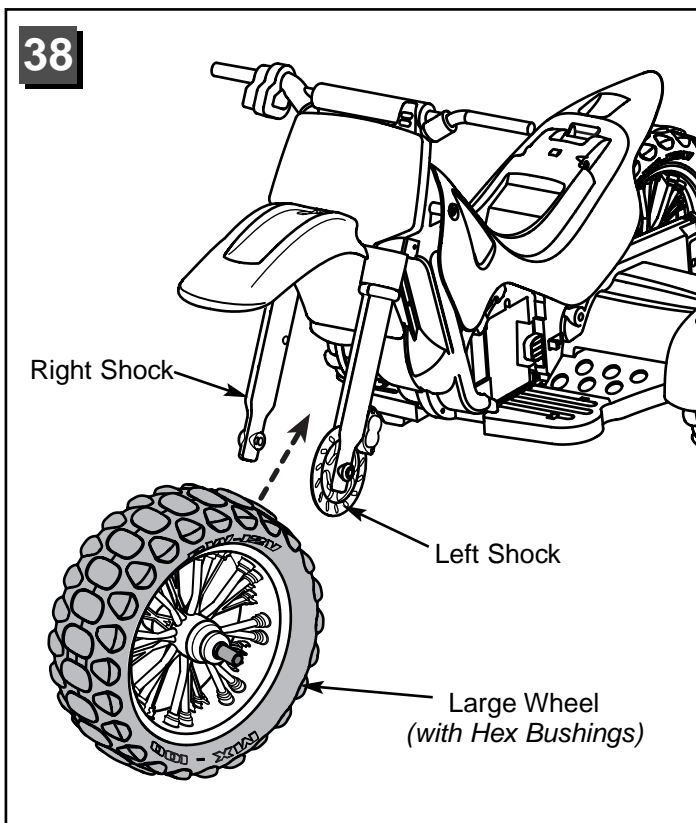
- Fit the right outside shock (see "R" on inside) to the outside of the right fork.
- Fit the right inside shock (see "R" on inside) onto the inside of the right fork.



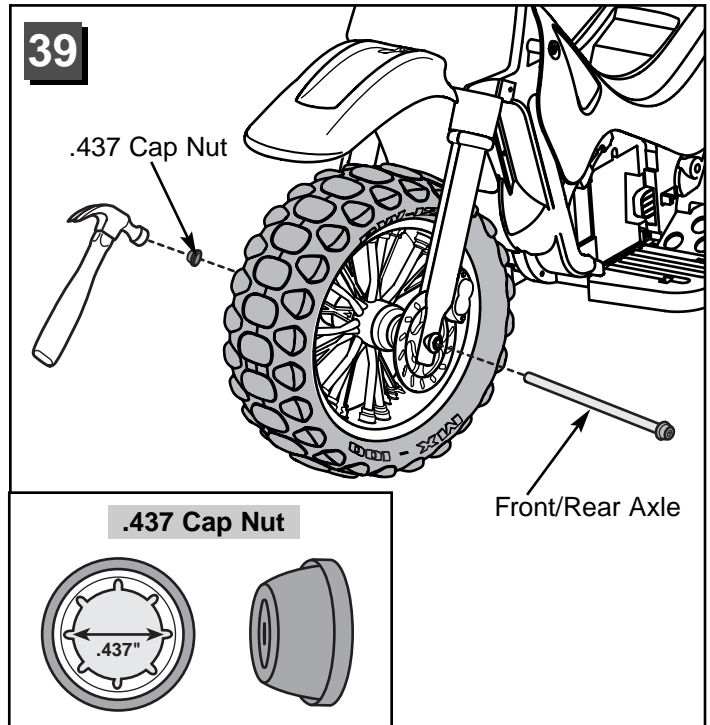
# Assembly



- Insert a #8 x 3/4" screw through the right shock to secure it to the right fork.
- Tighten the screw with a Phillips screwdriver. Do not over-tighten.

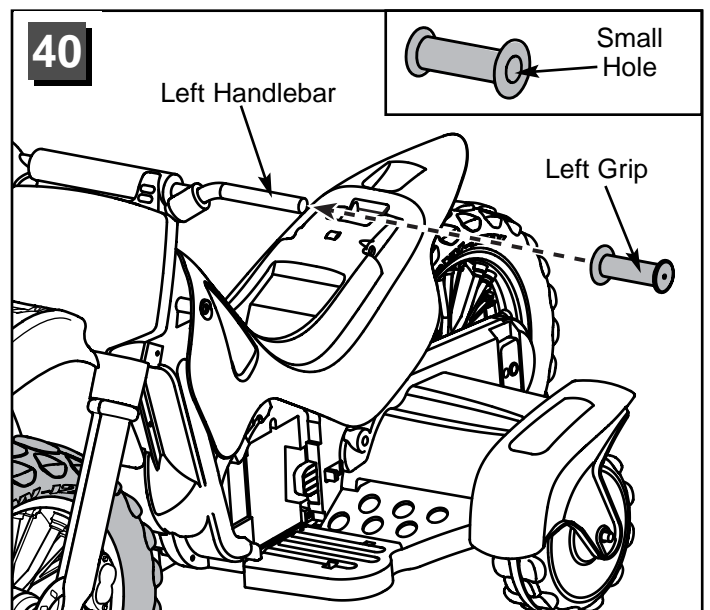


- Fit the other large wheel (with hex bushings) between the shocks.



- Slide the remaining front/rear axle through the left shock, the large wheel and out through the right shock.
- Fit a .437 cap nut onto the end of the front/rear axle.
- Tap the cap nut with a hammer to secure the cap nut on the front/rear axle. Pull on the cap nut to be sure it is secure.

**Hint:** You may need the help of another adult to support the other end of the front/rear axle while you tap the cap nut.



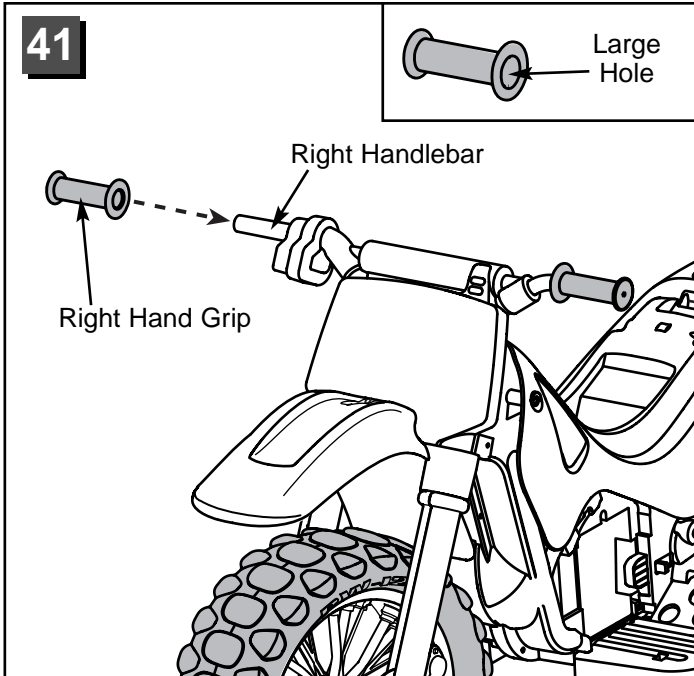
**Note:** The left and right grips are **not** interchangeable! The hole in the left grip is smaller than the hole in the right grip.

- Fit the left grip on the end of the left handlebar.

**20 Hint:** If it is difficult to slide the grip onto the handlebar, moisten the inside of the grip with water.

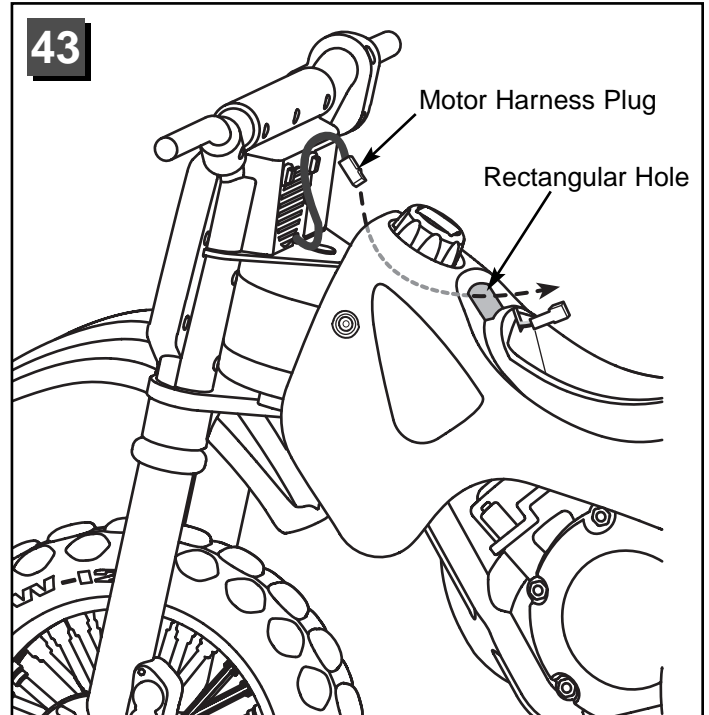


# Assembly

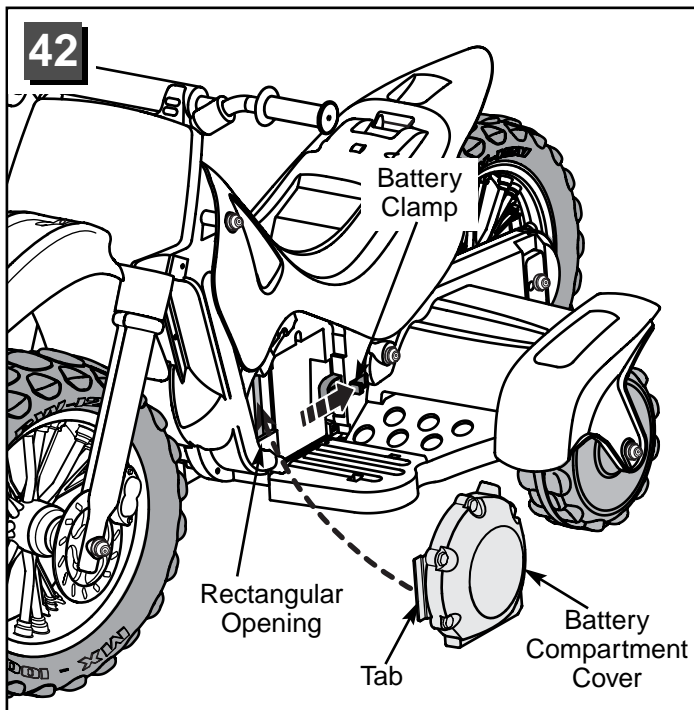


- Fit the right grip on the end of the right handlebar.

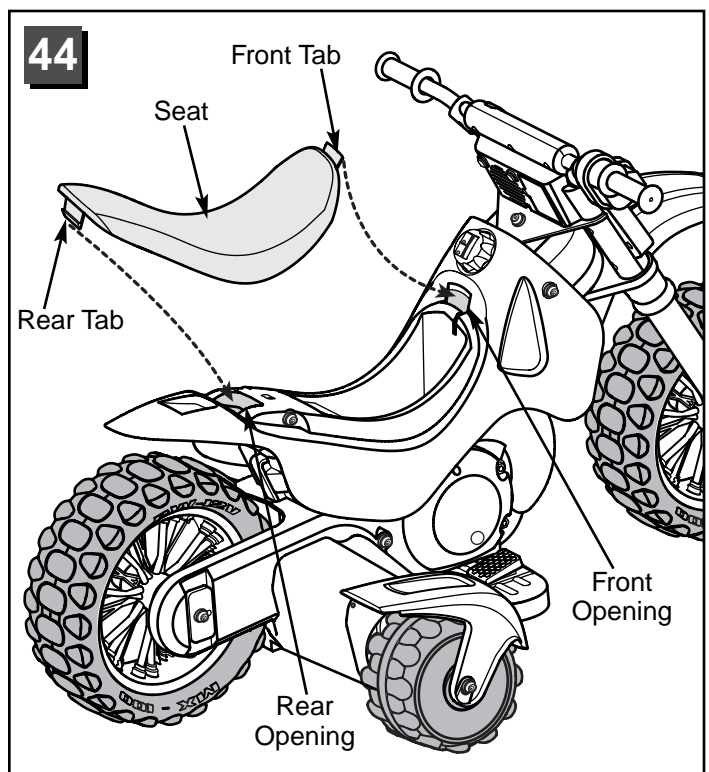
**Hint:** If it is difficult to slide the grip onto the handlebar, moisten the inside of the grip with water.



- Fit the motor harness plug underneath the gas tank and up through the rectangular hole in the gas tank.



- Fit the tab on the battery compartment cover into the rectangular opening next to the battery compartment.
- Slide the battery clamp and close the battery compartment cover.
- Release the battery clamp to secure the battery compartment cover.



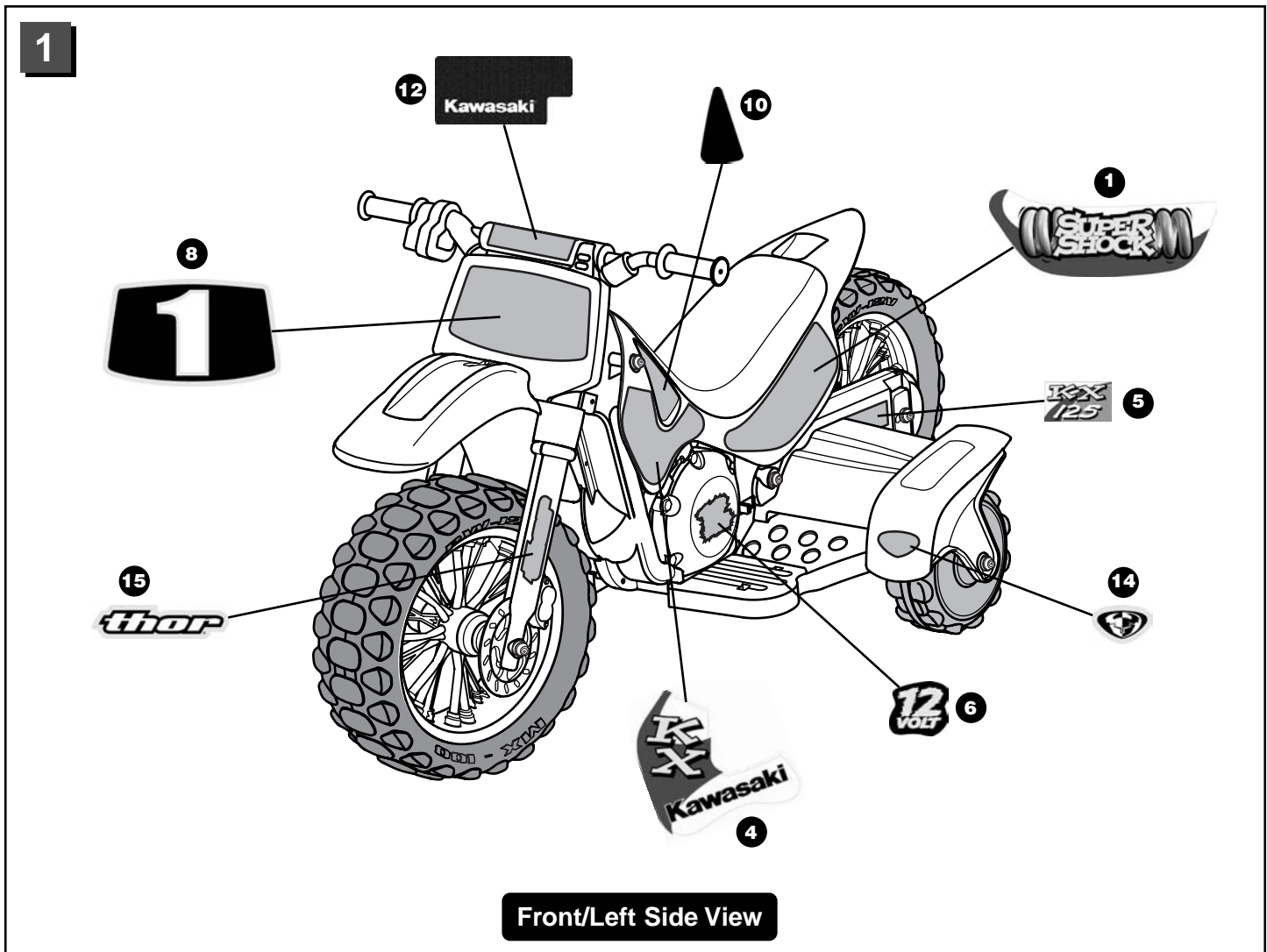
- To replace the seat, insert the front tab on the seat into the front opening in the gas tank.
- **"Snap"** the rear tab on the seat into the rear opening in the vehicle frame.

# G

## Label Decoration

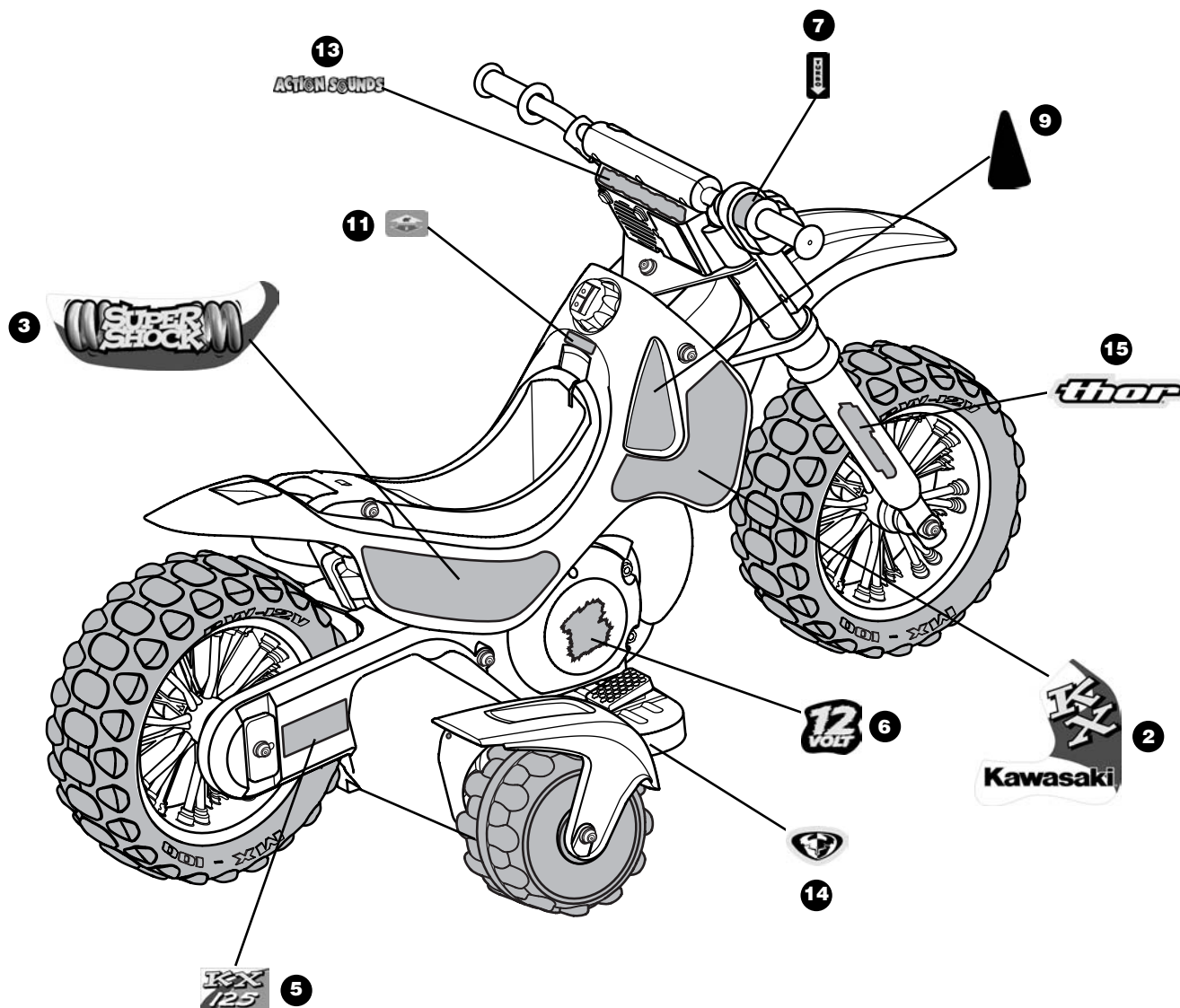
Proper label application will help to keep the labels looking their best! When applying labels, keep the following guidelines in mind:

- Wash your hands before applying the labels.
- Before applying the labels, wipe the surface of the vehicle with a clean, dry cloth to remove any dust or oils.
- Place the labels exactly as shown in the illustrations.
- For best results, avoid repositioning a label once it has been applied to the vehicle.
- After applying a label, rub the label firmly with a clean, dry cloth to make sure the label is adhered to your vehicle. Start at the center of a label, and smooth towards the outer edges to remove air bubbles.



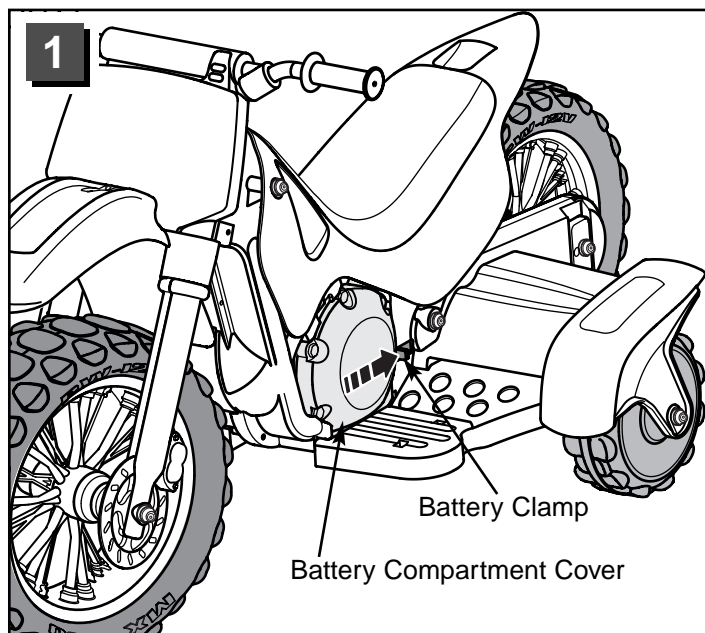
# Label Decoration

2



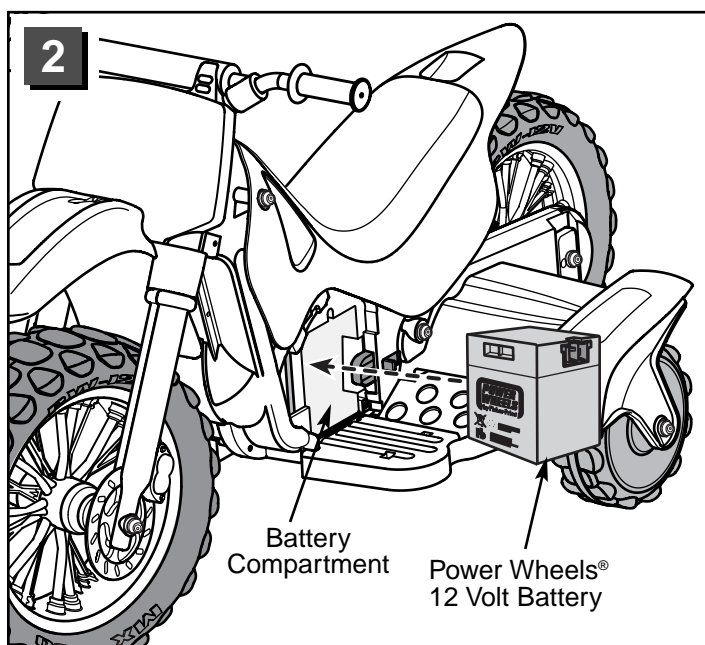
Right/Back Side View

**IMPORTANT!** Use only Power Wheels® 12 volt battery. Use of any other battery will damage your vehicle. Make sure that you charge the battery for at least 18 hours using the enclosed Power Wheels® 12 volt charger **before operating your vehicle for the first time.** Charge the battery for at least 14 hours after each use of the vehicle. Never charge the battery longer than 30 hours. Failure to follow these instructions may damage your battery and will void your warranty.

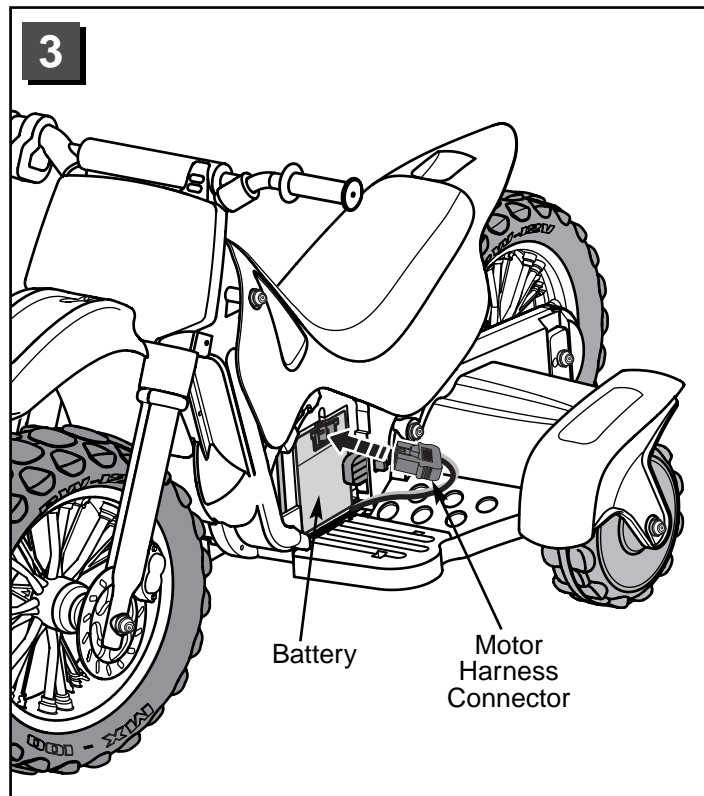


- Slide the battery clamp and open the battery compartment cover.

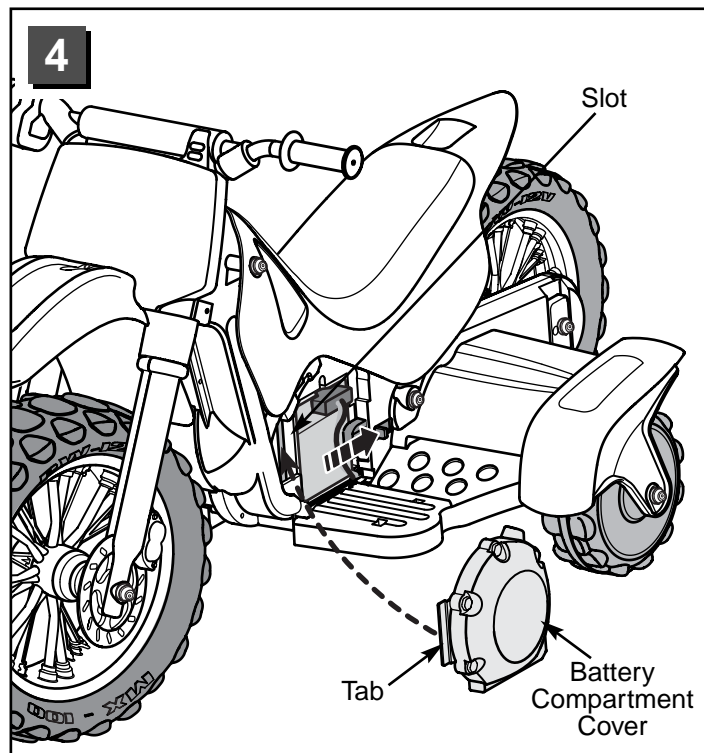
*Hint:* You do not need to completely remove the battery compartment cover.



- Fit the battery into the battery compartment.



- Plug the motor harness connector into the battery.



- Insert the battery compartment cover tab into the slot in the vehicle frame.
- Slide the battery clamp and close the battery compartment cover.

**24** Release the battery clamp to secure the battery compartment cover.



# I

## Battery Care and Disposal

### Care

**If a battery leak develops**, avoid contact with the leaking acid and place the damaged battery in a plastic bag. See information below for proper disposal.

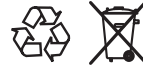
**If acid comes in contact with skin or eyes**, flush with cool water for at least 15 minutes and call a physician.

**If acid is internally ingested**, give water, milk of magnesia or egg whites immediately. Never give emetics or induce vomiting. Call a physician.

- Charge a new battery for at least 18 hours before first use. Never charge the battery longer than 30 hours. Overcharging or undercharging the battery may shorten battery life and decrease vehicle running time.
- After the first charge, recharge the battery for at least 14 hours after each use. Never charge the battery longer than 30 hours. Charge the battery after each use, regardless of how long the vehicle was used.
- The battery must be upright while charging.
- Do not allow the battery to run down completely before charging.
- Charge the battery before storing the vehicle.
- Charge the battery at least once per month, even if the vehicle has not been used.
- Leaving the battery in a discharged condition will ruin it.
- Always remove an exhausted battery from the vehicle. Battery leakage and corrosion can damage the vehicle.
- Do not store the battery on a surface (such as kitchen counter tops) which could be damaged by the acid contained inside the battery. Take precautions to protect the surface on which you store the battery.
- Do not store the battery in temperatures above 75° F or below -10° F.
- Use only a Power Wheels® 12 volt battery. Remember to charge the new battery for at least 18 hours before first use.
- Prevent the battery from moving freely inside the battery compartment. Always use the battery clamp to secure the battery in the battery compartment.
- Examine the battery, charger and their connectors for excessive wear or damage each time you charge the battery. If damage is detected, do not use the charger or the battery until you have replaced the worn or damaged part.

## Battery Care and Disposal

### Disposal



- Your Power Wheels® battery is sealed lead-acid battery. It must be recycled or disposed of in an environmentally sound manner.
- Do not dispose of a lead-acid battery in a fire. The battery may explode or leak.
- Do not dispose of a lead-acid battery in your regular, household trash. The incineration, landfilling or mixing of sealed lead-acid batteries with household trash is prohibited by law in most areas.
- Return an exhausted battery to a federal or state approved lead-acid battery recycler, such as a Power Wheels® authorized service center or a local seller of automotive batteries. For the authorized service center location nearest to you, please call **1-800-348-0751**. Contact your local waste management officials for other information regarding the environmentally sound collection, recycling and disposal of lead-acid batteries. If you live in the State of Florida or the State of Minnesota, it is prohibited by law for anyone to throw away lead-acid batteries in the municipal waste stream.

# J

## Caring For Your Vehicle

- Check all screws, cap nuts and their protective coverings regularly and tighten as required. Check plastic parts on a regular basis for cracks or broken pieces.
- During snowy or rainy weather, the vehicle should be stored inside or under a protective cover. Remember to charge the battery at least once per month while your vehicle is not in regular use.
- Avoid operating the vehicle in wet or snowy conditions, and do not spray the vehicle with a hose. Do not wash the vehicle with soap and water. Water or moisture in the motors or electrical switches can cause them to corrode, and could cause switch or motor failure.
- Avoid operating the vehicle on sand, loose dirt or gravel. Sand, loose dirt or gravel in the motors or electrical switches can cause them to jam, and could cause switch or motor failure.
- The vehicle can be wiped down with a soft, dry cloth. For a shiny finish, you can wipe plastic parts with a non-wax furniture polish applied to a soft-cloth. Do not use automotive wax. Do not use soap and water or spray the vehicle with a hose.
- To ensure that your vehicle stays in good operating order, we recommend that you periodically have your vehicle checked by a Power Wheels® authorized service center. See page 32 for the list of authorized service centers or call **1-800-348-0751** for the location of the authorized service center nearest you.

## RIDING HAZARD



### WARNING

#### Prevent Injuries and Deaths

- Direct Adult Supervision Required.
- Keep Children Within Safe Riding Areas

These areas must be:

- away from swimming pools and other bodies of water to prevent drownings.
- generally level to prevent tipovers.
- away from steps, driveways, roads and alleys.

### Teach Safety Rules to Children

While children can quickly develop the skill necessary to drive this vehicle, it is important to remember that their judgment skills are still very immature. Unsupervised driving by children can lead to serious injury. Before children use this vehicle, an adult should carefully evaluate the driving area as well as the children's skill level and ability to drive this vehicle safely. Children are not always able to recognize or anticipate hazards, even when they have been taught about them. **THERE IS NO ACCEPTABLE SUBSTITUTE FOR DIRECT ADULT SUPERVISION.**

Teach appropriate safety rules to your child before allowing operation of this vehicle. These rules should also be reviewed with neighborhood children or other playmates who want to drive this vehicle.

### Riding Rules

**Make sure children know and follow these rules for safe driving:**

1. Always sit on the seat.
2. Always wear shoes.
3. Only 1 (one) rider at a time. A child who is not sitting on the seat or who is standing on the vehicle could fall off, cause a tip-over or block the driver's view. A child could be seriously injured.
4. Do not allow any child to drive the vehicle in the street or near moving (motorized) vehicles.
5. Do not allow any child to drive near bodies of water (such as pools or creeks), obstructions (such as furniture, low tree limbs or play equipment), or drop-offs (such as stairs or decks).
6. Do not allow any child to drive the vehicle in the dark. A child could encounter unexpected obstacles and have an accident. Operate the vehicle only in the daytime or a well-lit area.

7. Do not allow your child to drive on sloped or inclined surfaces. **Restrict your child's driving to generally level ground ONLY!**
8. Do not allow your child to drive down or across a steep slope.
  - The vehicle may gain unsafe speed, even if the pedal is released to stop.
  - The vehicle may tilt and tip over.
  - The wheels could lose traction, causing the vehicle to slip.
9. Do not allow your child to drive up steep inclines. The motor may stop and the vehicle could roll backwards at an unsafe speed.
10. Never put anything near any moving parts. Rotating parts such as motors, gear boxes and wheels can snag fingers, hair, etc., causing serious injury. Do not allow operation of the vehicle when it is on its side or in an upside-down position.
11. Do not operate the vehicle near flammable vapors (gasoline, paint thinner, acetone, liquid wax, etc.). The vehicle's electrical switches, like most electrical switches, emit an internal spark when first turned on or turned off. The presence of flammable liquids or vapors could cause an explosion or a fire. Keep all flammable products in tightly sealed containers and away from the vehicle.
12. Do not allow a child to operate the vehicle without direct adult supervision. To prevent unsupervised use of the vehicle, disconnect the motor harness from the battery when the vehicle is not in use.

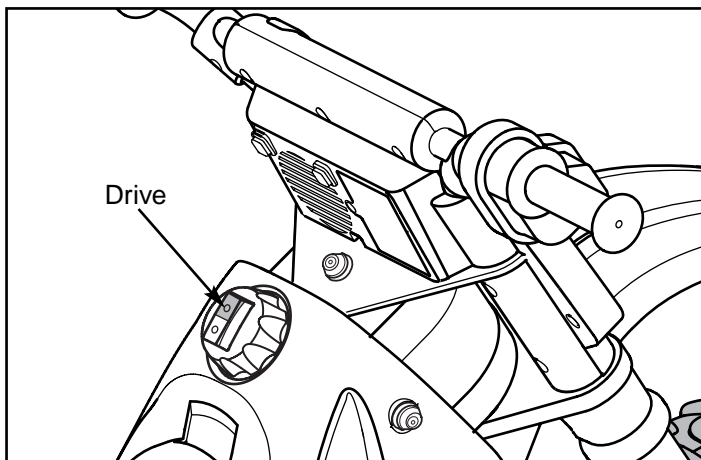


# L

## How to Operate Your Vehicle

**IMPORTANT!** Use this vehicle **ONLY** outdoors. Most interior flooring can be damaged by riding this vehicle indoors. Fisher-Price® will not be responsible for damage to the floor if the vehicle is used indoors.

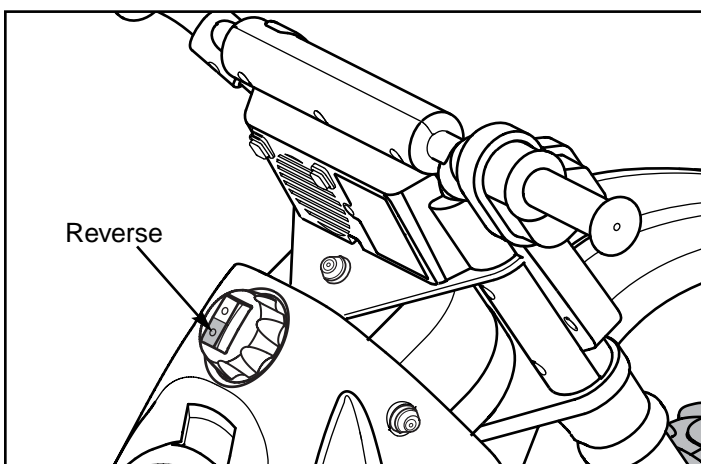
### Beginner Use - Low Speed



- Press the **DRIVE** button on the gas tank.
- Press the foot pedal. The vehicle drives forward at a maximum of 2½ mph.
- Help your child practice steering to learn how far and how quickly to turn the handlebar when driving forward in low speed.

### To Back Up

**IMPORTANT!** To prevent damaging the motors and gears, teach your child to **stop the vehicle before switching direction**. Never shift from drive to reverse, or from reverse to drive, without stopping.

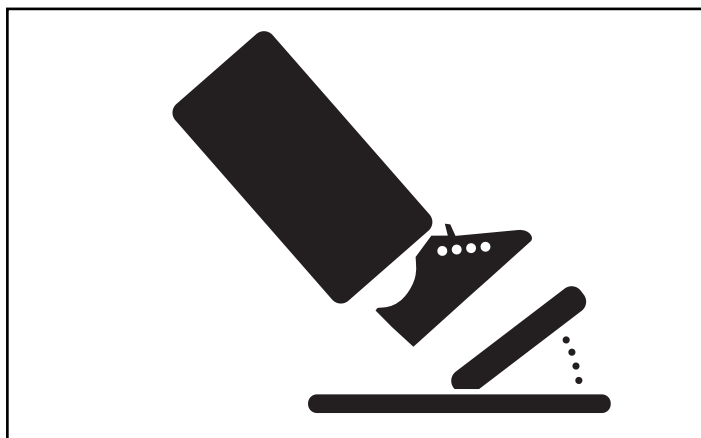


- Press the **REVERSE** button on the gas tank.
- Press the foot pedal. The vehicle backs-up at a maximum of 2½ mph.

**Note: The vehicle is designed to operate in low speed only in reverse.**

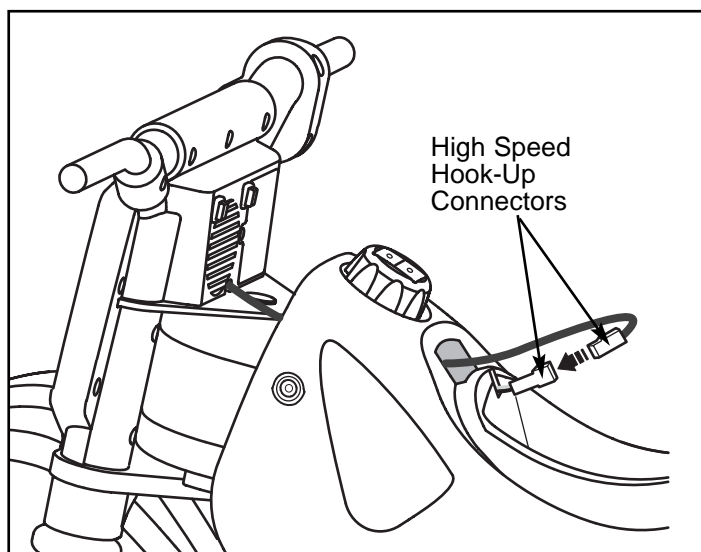
- Help your child practice steering to learn how far and how quickly to turn the handlebar when driving in reverse.

### To Stop



- Your vehicle has a patented, electronic braking system that automatically stops the vehicle when your child's foot is lifted from the pedal.
- Make sure your child is comfortable with steering the vehicle and automatically knows how to stop.

### Advanced Use - High Speed

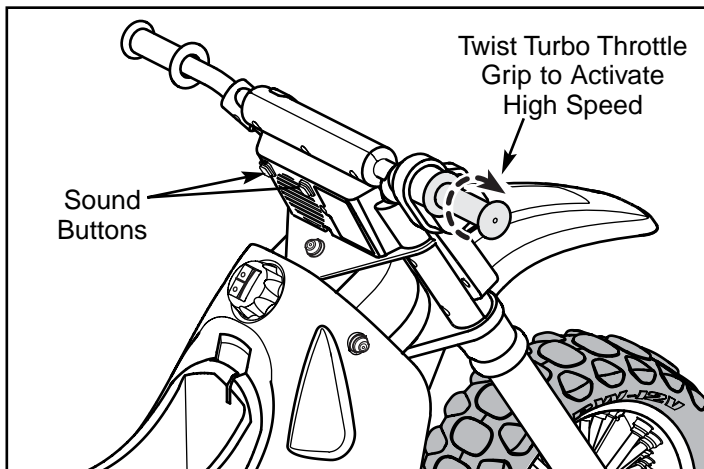


- Remove the vehicle seat to access the high speed hook-up.
- Plug the two high speed hook-up connectors together. Make sure the two connectors are completely joined.
- Re-assemble the vehicle seat.
- To prevent operation of the vehicle in high-speed, simply disconnect the high speed hook-up connectors.

## How to Operate Your Vehicle

### Advanced Use - High Speed

**IMPORTANT!** Your child should not drive the vehicle in **HIGH SPEED** from a stopped position. Always start in **LOW SPEED**. Then, twist the turbo throttle grip to shift to **HIGH SPEED**.



- Turn the right grip to shift the vehicle into high speed. The vehicle moves forward at a maximum of 5 mph.
- Help your child practice steering to learn how far and how quickly to turn the handlebar when driving forward in high speed.
- Press the buttons on the handlebar for cool sounds!

## M

### FCC Statement (United States Only)

This equipment has been tested and found to comply with the limits for a Class B digital device, pursuant to part 15 of the FCC rules. These limits are designed to provide reasonable protection against harmful interference in a residential installation. This equipment generates, uses and can radiate radio frequency energy and, if not installed and used in accordance with the instructions, may cause harmful interference to radio communications. However, there is no guarantee that interference will not occur in a particular installation. If this equipment does cause harmful interference to radio or television reception, which can be determined by turning the equipment off and on, the user is encouraged to try to correct the interference by one or more of the following measures:

- Reorient or relocate the receiving antenna.
- Increase the separation between the equipment and receiver.
- Connect the equipment into an outlet on a circuit different from that to which the receiver is connected.
- Consult the dealer or an experienced radio/TV technician for help.

**CAUTION:** Changes or modifications not expressly approved by the manufacturer responsible for compliance could void the user's authority to operate the equipment.

## N

### Bumper-to-Bumper\* Limited Warranty

**\*One year limited warranty from the date of purchase on the Power Wheels® vehicle.**

**Six month limited warranty on the 12 volt battery.**

For the original purchaser, this one year limited warranty covers the Power Wheels® ride-on vehicle (purchased from Power Wheels®) against defects in materials and workmanship. The six month limited warranty applies only to the 12 volt battery included by Power Wheels® with the original purchase of the vehicle.

This warranty covers normal use and does not cover the Power Wheels® vehicle or battery if damaged by unreasonable use, neglect, accident, abuse, misuse, improper service or other causes not arising out of defects in materials or workmanship. Evidence of any attempt at consumer repair will void this warranty. **THIS WARRANTY DOES NOT COVER, AND IS INTENDED TO EXCLUDE, ANY LIABILITY ON THE PART OF POWER WHEELS®, WHETHER UNDER THIS WARRANTY OR IMPLIED BY LAW FOR ANY INDIRECT OR CONSEQUENTIAL DAMAGES FOR BREACH OF WARRANTY. SOME STATES DO NOT ALLOW THE EXCLUSION OR LIMITATION SO THIS LIMITATION MAY NOT APPLY TO YOU.**

Should you need service or assistance with your vehicle during the warranty period, **do not return the vehicle to the store.** Power Wheels® has provided a nationwide network of authorized service centers. Please refer to the list in this manual. Power Wheels® is continually expanding our Authorized Service Center Network. If there is not an authorized service center in your area, please call Consumer Relations for information, **1-800-348-0751.**

**THIS WARRANTY GIVES YOU SPECIFIC LEGAL RIGHTS, AND YOU MAY ALSO HAVE OTHER RIGHTS WHICH MAY VARY FROM STATE TO STATE.**

**PLEASE SAVE YOUR ORIGINAL SALES RECEIPT.**

# O

## Problems and Solutions Guide

**IMPORTANT!** If you experience a problem with your vehicle, first check the Problems and Solutions Guide below. If you still experience a problem, please contact Power Wheels® Consumer Relations, toll-free at **1-800-348-0751** between 8 AM and 6 PM (EST) Monday through Friday. Or, contact your local Power Wheels® authorized service center. For the location nearest you, please refer to the Authorized Service Center list beginning on page 32, or register on-line at [www.powerwheels.com](http://www.powerwheels.com).

Problem	Possible Cause	Solution
Vehicle does not run	Undercharged battery	Charge the battery. A new battery should have been charged for at least 18 hours before using the vehicle for the first time. After first-time use, recharge the battery for at least 14 hours after each use. Never charge the battery longer than 30 hours.
		Check all connectors. Make sure the battery connector is tightly plugged into the battery, and that the charger is plugged into the wall.
		Make sure power flow to the wall outlet is "ON".
	Charger is not working	There is no sure way to tell if your charger is working unless you have a volt meter. If you suspect there is a problem with your charger, contact your local Power Wheels® authorized service center. They can test your charger for you.
	Tripped thermal fuse	Each Power Wheels® 12 volt battery has a built-in thermal fuse. A thermal fuse may "trip" and shut down operation of the vehicle if the vehicle is overloaded or the driving conditions too severe. The fuse will automatically reset itself after approximately 25 seconds, allowing the vehicle to resume normal operation. To avoid repeated automatic shutdowns, do not overload the vehicle by exceeding the 65 lb maximum weight capacity or by towing anything behind the vehicle. Do not drive up hills or run into fixed objects, which can cause the wheels to stop spinning while power is still being supplied to the motors. If a thermal fuse continually trips, contact your local Power Wheels® authorized service center.
	Loose wire or loose connectors	Check all wires and connectors. Make sure the motor harness connector is tightly plugged into the battery and that there are no loose wires around the motors.
	Dead batteries	If your battery is old or if you have not followed Battery Care instructions, your battery may be dead. If you are unsure whether or not the battery are dead, you can have them tested at your local Power Wheels® authorized service center.
	Electrical switch damage	The electrical switches can become corroded due to exposure to water or moisture, or can jam due to loose dirt, sand or gravel. Contact your local Power Wheels® authorized service center for diagnosis and repair.
Motor damage	Contact your local Power Wheels® authorized service center for diagnosis and repair.	

# Problems and Solutions Guide

Problem	Possible Cause	Solution
Vehicle was running but suddenly stopped	Loose wire or loose connectors	Check all wires and connectors. Make sure the motor harness connector is tightly plugged into the battery, and that there are no loose wires around the motors.
	Tripped thermal fuse	Each Power Wheels® 12 volt battery has a built-in thermal fuse. A thermal fuse may "trip" and shut down operation of the vehicle if the vehicle is overloaded or the driving conditions too severe. The fuse will automatically reset itself after approximately 25 seconds, allowing the vehicle to resume normal operation. To avoid repeated automatic shutdowns, do not overload the vehicle by exceeding the 65 lb maximum weight capacity or by towing anything behind the vehicle. Do not drive up hills or run into fixed objects, which can cause the wheels to stop spinning while power is still being supplied to the motors. If a thermal fuse continually trips, contact your local Power Wheels® authorized service center.
Short run time (Less than 1 - 3 hours per charge)	Undercharged battery	Charge the battery. A new battery should have been charged for at least 18 hours before using the vehicle for the first time. After first-time use, recharge the battery for at least 14 hours after each use. Never charge the battery longer than 30 hours.
		Check all wires and connectors. Make sure the charger connector is tightly plugged into the battery, and that the charger is plugged into the wall.
		Make sure power flow to the wall outlet is "ON".
	Overcharged battery	Do not charge the battery longer than 30 hours. If you suspect that your battery is damaged as a result of overcharging, contact your local Power Wheels® authorized service center. They can test the battery for you.
	Battery is old and will not accept full charge	Even with proper care, a rechargeable battery does not last forever. Average battery life is 1 to 3 years depending on vehicle use and use conditions. Replace only with Power Wheels® 12 volt battery with built-in thermal fuse. <b>Do not substitute parts.</b>
	Tripped thermal fuse	Each Power Wheels® 12 volt battery has a built-in thermal fuse. A thermal fuse may "trip" and shut down operation of the vehicle if the vehicle is overloaded or the driving conditions too severe. The fuse will automatically reset itself after approximately 25 seconds, allowing the vehicle to resume normal operation. To avoid repeated automatic shutdowns, do not overload the vehicle by exceeding the 65 lb maximum weight capacity or by towing anything behind the vehicle. Do not drive up hills or run into fixed objects, which can cause the wheels to stop spinning while power is still being supplied to the motors. If a thermal fuse continually trips, contact your local Power Wheels® authorized service center.
Vehicle runs sluggishly	Undercharged battery  longer than 30 hours.	Charge the battery. A new battery should have been charged for at least 18 hours before using the vehicle for the first time. After first-time use, recharge the battery for at least 14 hours after each use. Never charge the battery
		Check all connectors. Make sure the charger connector is tightly plugged into the battery, and that the charger is plugged into the wall.
		Make sure power flow to the wall outlet is "ON".

# Problems and Solutions Guide

Problem	Possible Cause	Solution
Vehicle runs sluggishly (cont.)	Battery needs charging	Be sure to charge the battery after each use.
	Battery is old and will not accept full charge	Even with proper care, a rechargeable battery does not last forever. Average battery life is 1 to 3 years depending on vehicle use and use conditions. Replace only with Power Wheels® 12 volt batteries with built-in thermal fuse. <b>Do not substitute parts.</b>
	Vehicle is overloaded	Make sure you do not overload the vehicle by allowing more than 1 rider at one time, exceeding the 65 lb. maximum weight capacity, or by towing objects behind the vehicle. If the vehicle is overloaded, the fuses in the batteries may "trip", and automatically shut down operation of the for approximately 25 seconds. Adjust the driving conditions to prevent repeated automatic shutdowns.
	Driving conditions are too stressful	Use only on generally level ground.
Vehicle runs in low speed but does not run in high speed <b>Note:</b> The vehicle is designed to operate in low speed only in reverse.	High speed hook-up not connected	The vehicle was pre-set to operate only in low speed until you connect the high speed hook-up. Follow the instructions on page 28 to connect High Speed Hook-up. <b>Note:</b> The turbo throttle will not operate until the high-speed connectors are joined.
Sometimes the vehicle doesn't run, but other times it does	Loose wire or connector	Check all wires around the motors and all connectors to make sure they are tight.
	Motor or electrical switch damage	Contact your local Power Wheels® authorized service center for diagnosis and repair.
When the foot pedal is pressed, the vehicle won't run without a push	Loose wire or connector	Check all wires around the motors and all connectors to make sure they are tight.
	"Dead Spot" on motor	Contact your local Power Wheels® authorized service center for diagnosis and repair.
Battery's thermal fuse constantly "trips", but the vehicle is not overloaded nor the driving conditions too severe	Damaged battery	Contact your local Power Wheels® authorized service center for diagnosis and repair.
	Child is switching between FORWARD and REVERSE without stopping	Teach your child to stop the vehicle before switching direction.
Loud clacking or grinding noise from a motor-gearbox	Broken gears	Contact your local Power Wheels® authorized service center for diagnosis and repair.
Charger gets warm during use	It is normal for some chargers to get warm during use and is not reason for concern. Some chargers do not get warm during use.	No action required.
		If your charger does not get warm during use, it does not mean that it is not working properly.
Battery makes a sizzling or gurgling noise when charging	It is normal for some batteries to make noise and swell slightly while charging and is not reason for concern. Some batteries do not make noise or swell while charging.	No action required.
		If your battery does not make noise or swell slightly during charging, it does not mean that it is not accepting the charge.

If, after reviewing the Problems and Solutions Guide, the vehicle still fails to operate, please contact your nearest authorized service center (see page 31) or contact Power Wheels® Consumer Relations toll-free at **1-800-348-0751**.



# P

## Authorized Service Centers

We are continually expanding our independently owned and operated Authorized Service Center Network. Please check this listing for the Authorized Service Center nearest you. If there is not one in your area, please call Power Wheels® Consumer Relations at 1-800-348-0751.

### ALABAMA

**BIRMINGHAM** - Frigid Service & Sales, 701 Graymont Ave. North, 35203, (205) 323-5831  
**BIRMINGHAM** - Frigid Service & Sales, 1861 Centerpoint Rd., 35215, (205) 853-3952  
**BIRMINGHAM (HOMEWOOD)** - Frigid Appliance Center, 154 West Valley Ave., 35209, (205) 942-3959  
**DECATUR** - Peddler II, 1000 B Beltline Road, 35603, (205) 350-1044  
**DOTHAN** - Bill's Appliance Service, 208 Bic Road, P.O. Box 1192, 36303, (334) 792-7746  
**DOUGLAS** - Brown Hardware, Highway 75, 35964, (205) 593-6086  
**HUNTSVILLE** - C & G Appliance, 307 Jordan Lane, 35805, (205) 837-4551  
**MOBILE** - Foster's Appliance Repair, 2610 Halls Mill Road, 36606, (251) 479-3567  
**NORTHPORT** - Appliance Connection, 2703 McFarland Blvd, 35476, (205) 339-2774  
**TROY** - Specialty Batteries, 1317 S. Brundidge St., P.O. Box 1045, 36081, (334) 670-6800, (800) 477-8230

### ALASKA

**ANCHORAGE** - Ken's Electronics Service, 360 E. International, Ste. 5, 99518, (907) 562-3443  
**FAIRBANKS** - Appliance Service Co. Inc., 700 23rd Ave., 99701, (907) 452-1000

### ARIZONA

**GLENDALE** - Elliott Electric Appliance Service, 6242 N. 43rd Avenue, 85301, (623) 937-2613  
**SCOTTSDALE** - Elliott Electric, 7515 E. McDowell Road, 85257, (480) 946-7487

### ARKANSAS

**FT. SMITH** - Bromley Appliance Service, 614 North 10th Street, 72901, (501) 782-9646  
**GLENWOOD** - Gardening Plus, 110 North 2nd Street, 71943, (870) 356-2233  
**JONESBORO** - Best Sewing & Vacuum & Repair, 2235 S. Caraway Road, 72401, (501) 935-4739, (800) 844-4739  
**LITTLE ROCK** - C & W Tool Repair, 1303 W. Markham, 72201, (501) 374-1911  
**ROGERS** - Kressel's Vacuum & Repair, 115 North 5th Street, 72756, (479) 636-7894  
**STUTTGART** - Davis Lumber Company, 301 East Michigan, 72160, (501) 673-3601

### CALIFORNIA

**ANDERSON** - Hardware Express/Do It Best, 2681 Balls Ferry Road, 96007, (916) 365-3783  
**BAKERSFIELD** - Southwest TV, 6300 White Lane, Suite B, 93309, (805) 397-4940  
**COVINA** - California Electric Service Center, 612 Shoppers Lane, 91723, (818) 915-4935  
**FORT JONES** - Ft. Jones Frontier Hardware, 11911 Main Street, 96032, (916) 468-2266  
**FRESNO** - Valley Small Appliance, 4005 E. Ashlan Avenue, 93726, (209) 224-5530  
**FULLERTON** - CES Fullerton, 1208 East Ash Avenue, 92631-5020, (714) 870-0900  
**LAKE FOREST** - California Electric Service, 22500 Murlands Suite B, 92630, (949) 586-9440  
**LOS ALAMITOS** - California Electric Service Center, 11284 Los Alamitos Blvd., 90720, (562) 430-2668  
**SALINAS** - SRS Hobbies, 407 Front Street, 93901, (831) 424-4044,  
**SANTA ROSA** - Hardisty's Inc., 1565 Farmers Lane, 95405, (707) 545-0535  
**SKY FOREST** - Sky Forest Electrical, 28670 Highway 18 P.O. Box 496, 92385, (909) 337-0811  
**VENTURA** - Appliance Advantage, 4547 Telephone Rd., Suite A, 93003, (805) 650-0716, (800) 960-2125  
**YUCAIPA** - Aire-Rite Heating & A/C, 34724 Yucaipa Blvd., 92399, (909) 797-2788

### COLORADO

**COLORADO SPRINGS** - Nelson Appliance Repair, Inc., 1220 E. Fillmore, 80907, (719) 635-1928, (800) 291-8010  
**DENVER** - Appliance Service, 4272 Lowell Blvd., 80211, (303) 458-1109, (800) 631-0941 (CO, WY only)  
**GRAND JUNCTION** - V & L Appliance Service, 591 25 Road Suite A6, 81505, (970) 243-3360  
**PUEBLO** - Direct Maytag Home Appliance, 1407 Santa Fe Drive, 81006, (719) 543-0777

### CONNECTICUT

**HARTFORD** - Hartford Element & Appliance Service, 1500 Albany Ave., 06112, (860) 246-7424, (800) 787-7977  
**NEW HAVEN (HAMDEN)** - New Haven Appliance Service Center, 1627 Dixwell Ave., 06514, (203) 288-6229  
**SHELTON** - Jeff's Appliance & Vacuums, 66 Center Street, 06484, (203) 924-8997  
**STAMFORD** - Appliance Servicenter of Stamford, 15 Cedar Heights Road, 06905, (203) 322-7656  
**WATERBURY** - P.J. Appliance Repair, 305 Robinwood Road, 06708, (203) 757-1014

### DELAWARE

**WILMINGTON** - Lyons Hardware, Inc., 2021 Kirkwood Highway, 19805, (302) 995-1260  
**SHELBYVILLE** - Ahern & Sons Inc., #2 S. Dupont Hwy., RT #2, 19975, (302) 436-4100

### FLORIDA

**ATLANTIC BEACH** - First Coast Repair, 25 Seminole Road, 32233, (904) 246-4616  
**BOYNTON BEACH** - Palm Beach Vacuum, Inc., 1865 W. Woolbright Road, 33425, (561) 243-9999  
**CALLAHAN** - Arc Electronic Repair, 951 Blackhills Dr., Suite D, 32011, (904) 879-3556  
**CAPE CORAL** - Family Hardware/Do-It Express, 622 SE 47th Terrace, 33904, (941) 542-6365  
**DELRAY** - Mister Fix It, 209 S.E. 2nd Avenue, 33483, (561) 243-9999  
**GAINESVILLE** - Authorized Appliance Service Co., 2614 S.W. 34th Street, 32608, (352) 375-3886  
**JACKSONVILLE** - Authorized Appliance Service Co., 6120-5 Powers Avenue, 32217, (904) 737-5312  
**LAKECITY** - S&S Mowers Inc., RT. 10, Box 35916, 32025, (904) 755-2957  
**LAKELAND** - Electric Shaver & Small Appliance, 4243 S. Florida Avenue, 33813, (863) 644-4690  
**MIAMI** - Goodman's Sales & Service, 13130 SW 128 Street #3, 33186, (305) 278-8822  
**NORTH PALM BEACH** - Appliance Doctors, 450 Northlake Blvd., 33408, (407) 845-0377  
**OCALA** - Vacuums Center and Gifts, 422 South Pine Street, #103, 34474, (352) 732-6335  
**ORLANDO** - Pine Hills Appliance Svc. Co., 6100-4 W. Colonial Drive, 32808, (407) 299-1271  
**ORLANDO** - Southern Electric Co., 510 N. Parramore Avenue, 32801, (407) 841-8824, (800) 940-8824  
**PANAMA CITY** - Callaway Vacuum & Sewing, 221 N. Tyndall Prkwy., 32404, (904) 763-6333  
**PENSACOLA** - Foster's Appliance Repair, 3836 N. Davis Highway, 32503, (904) 432-8853  
**POMPANO BEACH** - Authorized Appliance, 2171 N. Dixie Highway, 33060, (954) 941-2038  
**PORT ST. LUCIE** - Appliance Doctors, 10632 South Federal Hwy, 34952, (561) 878-7869  
**SARASOTA** - Sunray Small Appliances, 8371 N. Tamiami, 34243, (941) 358-9999, (800) 895-5655  
**SEBRING** - Ace Hardware Of Sebring, 305 U.S. 27 North, 33870, (863) 385-2735  
**SPRING HILL** - Ace Hardware #5304F, 5350 Spring Hill Dr., 34606, (352) 686-4743  
**SPRING HILL** - National Floor Care, 5588 Commercial Way, 34606, (352) 686-6711, (800) 245-1946

**ST. PETERSBURG** - Keystone Electric, 4604 Central Avenue, 33711, (813) 321-1124  
**STUART** - Appliance Doctors, 3166 S.E. Dixie Highway, 34997, (561) 287-6437  
**SUNRISE** - Muller Appliance Service, 2116 North University Drive, 33322, (954) 749-5460  
**TALLAHASSEE** - Dougs Vacuum Center, 604 N. Bronough Street, 32301, (850) 222-1423  
**TAMPA** - Buck's TV and VCR Repair, 6729 N. Armenia Avenue, 33604, (813) 933-8417  
**VERO BEACH** - Hoppe's Authorized Vacuum and Appliance, 1872 Commerce Ave., 32960, (561) 562-4466  
**WEST PALM BEACH** - Satisfaction TV Video, 1980 South Congress Ave., 33406, (561) 439-3733, (800) 477-3734  
**WILLISTON** - Future Electronics, 10 SW 7th Street, 32696, (352) 528-5599, (800) 416-1114

### GEORGIA

**AUGUSTA** - A & A Appliance Parts & Service, 1708 Walton Way, 30904, (706) 733-5163  
**BRUNSWICK** - Arco Hardware & Supply, 3711 Community Road, 31520, (912) 267-0771  
**COLUMBUS** - Burrell's National Appliance Service, 1728 Warm Springs Road, 31904, (706) 327-0523  
**NORCROSS** - Appliance Connection, 5172-C Brook Hollow Parkway, 30071, (770) 734-9888, (800) 964-7455  
**GAINESVILLE** - Bike Town USA, 1604 Dawsonville Highway, 30501, (770) 532-7090  
**SAVANNAH** - Hagins Appliance Service, 3 West Victory Drive, 31405, (912) 233-8372  
**THOMASVILLE** - Carroll Hill Auto, 115 Albany Road, 31799, (229) 266-0717  
**VALDOSTA** - Harry B. Anderson, Inc., 204 E. Central Avenue, 31601, (912) 242-5945  
**WOODSTOCK** - All City Appliance Inc., 8477 Highway 92 Suite 110, 30189, (770) 924-2375

### HAWAII

**HONOLULU** - McCully Bicycle & Sporting Goods, 932 Hausten Street, 96826, (808) 946-1192  
**WAILUKU (MAUI)** - Tom's Appliance Sales & Service, 1816 Mill Street, Suite 104, 96793, (808) 244-6278  
**WAIPAHU** - Gary's Bike World, 94-910 Moloalo Street, 96797, (808) 375-4262

### IDAHO

**BOISE** - Boise Appliance, 1503 Main Street, 83702, (208) 343-0102  
**IDAHO FALLS** - Rossiter Electric, 1501 South Capital Avenue, 83402, (208) 529-3665

### ILLINOIS

**CHICAGO (BERWYN)** - Brand Service Center, 6739 West Cermak, 60402, (708) 749-4315  
**CHICAGO (DOWNER'S GROVE)** - Authorized Appliance Service Co., 1644 W. Ogden Avenue, 60515, (630) 852-1550  
**CHICAGO (MORTON GROVE)** - Brand Service Center, Inc., 5618 Dempster Street, 60053, (847) 965-5900  
**DECATUR** - Rexx Battery of Decatur, Inc., 1330 East Eldorado, 62521, (217) 422-0281  
**EAST DUNDEE** - R & R Small Engine Repair, 305 Johnston Street, 60118, (874) 428-0023  
**FAIRVIEW HEIGHTS** - Rapid Rentals, 720 Lincoln Highway, 62087, (618) 632-0630  
**GRANITE** - Midwest Golf Car & Equipment Co., 904 Thorngrave Road, 62040, (618) 797-2278  
**HAMILTON** - Discount Battery Sales, #80 S 2nd Rte. 136, 62341, (217) 847-3242  
**JACKSONVILLE** - Rexx Battery Specialists, 847 South Main Street, 62650, (217) 245-2713  
**LINCOLN** - Rexx Battery Specialists, 504 Keokuk, 62656, (217) 732-2885  
**MT. VERNON** - Battery Specialists, 1018 South 10th Street, 62864, (618) 244-0091



# Authorized Service Centers

**NASHVILLE** - Kesel Hardware, 173 West St. Louis, 62263, (618) 327-8957

**NILES** - Household Appliance Sales & Serv., 7411 N. Milwaukee Ave., 60714, (847) 647-8250

**SPRINGFIELD** - Bannon Electronics, 1224 N. Franklin, 62702, (217) 523-0313

**TAYLORVILLE** - Battery Specialists + Golf Cars, 800 Springfield Road, 62568, (217) 824-3943

## INDIANA

**EVANSVILLE** - Electro Hygiene Co., 1614 S Kentucky, 47714, (812) 425-2671

**FT. WAYNE** - Southside Vacuum Co. Inc., 3702 South Calhoun Street, 46807, (219) 745-7788, (888) 209-8113

**INDIANAPOLIS** - Brand Service Center, 1827 N. Meridian Street, 46202, (317) 924-1386

**INDIANAPOLIS** - Sullivan Hardware Do-It Center, 7021 N. Keystone, 46220, (317) 255-9230

**NEW ALBANY** - Wells Hardware, Inc., 1011 Vincennes Street, 47150, (812) 944-4523

**SOUTH BEND (OSCEOLA)** - AAA Appliance Service Co., 11868 Lincoln Way West, 46561, (219) 679-4981

**TERRE HAUTE** - Corey Electronics, 1101 S. 8th Street, 47802, (812) 232-8786, (888) 232-8786

## IOWA

**BETTENDORF** - K & K True Value Hardware, 1818 Grant Street, 52722, (319) 359-4473

**CEDAR RAPIDS** - Stalker Electric, Inc., 110 3rd Ave. SW, 52404, (319) 364-5646

**COUNCIL BLUFFS** - Millard Television Inc., 1840 Madison Avenue, 51501, (712) 322-9552

**DES MOINES** - Quality Appliance Repair Center, 1417 Walnut Street, 50309, (515) 288-0108

**DUBUQUE** - Shaver's Plus, 450 Central Avenue, 52001, (319) 556-4442

**FT DODGE** - Messerly Electronics, 614 1st Avenue South, 50501, (515) 576-4480

**GRINNELL** - Bikes To You Inc., 921 Broad Street, 50112, (515) 236-8600

**MARSHALLTOWN** - Blink Electric Motors, Inc., Rear 116 N 1st Avenue, 50158, (641) 752-3036

**NORTH LIBERTY** - Ace Electric, Inc., 165 Hwy 965 NE, 52317, (319) 626-3007, (800) 326-3007

**SIoux CITY** - Millard Television Inc., 1419 Hamilton Blvd., 51103, (712) 258-3435

## KANSAS

**CHANUTE** - Zimmerman Electric Service, 1202 West Beech, P.O. Box 533, 67720, (620) 431-2260, (800) 362-0909

**COLBY** - Gavon's Electronics, 1870 South Range, 67701, (913) 462-6601

**JUNCTION CITY** - R/C Hobbies, 115 W. 7th Street, 66441, (913) 238-1877

**KANSAS CITY (OVERLAND PARK)** - Mar-Beck Appliance Service Co., 8471 West 95th Street, 66212, (913) 642-1557

**SPEARVILLE** - Quality Parts, P.O. Box 126, 406 North Main, 67876, (316) 385-2624

**WICHITA** - Alan Appliance Service, Inc., 1300 E. Central, 67214, (316) 262-7228, (800) 290-7228

## KENTUCKY

**GREENVILLE** - Malone Lumber Do-It Center, 204 W. Depot Street, 42345, (270) 338-3252

**LEXINGTON** - AutoHobby Model Raceway, 1474 Anniston Drive, 40505, (859) 299-4925

**LOUISVILLE** - Maury's Fluorescent & Appliance Service, 1521 Bardstown Road, 40205, (502) 456-1671

**OWENSBORO** - Kuester's Hardware, 1210 Carter Road, 42301, (270) 685-4916

**PADUCAH** - Hank Brothers True Value, 3101 Lone Oak Rd., 42003, (270) 554-4001

## LOUISIANA

**BAKER** - Gayle Battery Distributors, 16555 Plank Road, 70714, (225) 774-7475

**BATON ROUGE** - Home Appliance Service, Inc., 10781 Florida Blvd., 70815, (504) 272-7727

**HAMMOND** - Battery Depot, 2323 Hwy 190 East Suite #4, 70401, (985) 542-4952

**LAFAYETTE** - Cullen's Playland, 4498 Johnston Street, 70503, (337) 981-2929

**LAKE CHARLES** - Capitol Schwinn Cyclery, 722 E. Prien Lake Road, 70605, (337) 474-9090

**NEW IBERIA** - Voorhies Supply Company, 401 W. St. Peter Street, 70560, (337) 364-2431

**NEW ORLEANS (METAIRIE)** - Le Jouet, Inc., 1700 Airline Hwy., 70001, (504) 837-0533

**SHREVEPORT** - Shreveport Shaver and Appliance, 9750 St. Vincent, Burt Kouns Ind. Loop, 71106, (318) 865-5088, (800) 349-7722

## MAINE

**GREENE** - MAC (Maine Accessibility Corp), 87-89 Hillside Avenue, 04401, (207) 947-2357

**GREENE** - Brule's Auto Clinic & Sales, 968 Sawyer Road, 04236, (207) 375-4872

**PERU** - Mountain Valley Sports, 58 Ridge Road, 04290, (207) 562-7164

**PORTLAND** - Colonial Electronics, Inc., 259 St. John Street, 04102, (207) 774-6666

## MARYLAND

**ABERDEEN** - Burkheimer Garden Equipment, 651 Gilbert Road, 21001, (410) 734-4577

**BALTIMORE** - Colgate Hardware, 6711 Holabird Ave., 21222, (410) 633-6363

**BERLIN** - Myers Auto-Power Tool Rental Co., Inc., 10714 Ocean Gateway, 21811, (410) 641-3497

**GAITHERSBURG** - Waters Appliance Service, 216 E. Diamond Avenue, 20877, (301) 258-7500, (800) 225-5009

**GLEN BURNIE** - Taylor Rental, 7389 Baltimore Annapolis Blvd., 21061, (410) 768-1933, (800) 836-8464

**LOVEVILLE** - Hancock Refrigeration Co Inc., 28650 Point Lookout Rd, 20656, (301) 475-8298

## MASSACHUSETTS

**BOSTON (MEDFIELD)** - Wills Hardware, 5 Janes Avenue, 02052, (508) 359-4381

**LOWELL** - Lowell Appliance Service Center, Inc., 564 Dutton Street, 01854, (508) 454-8731

**MAYNARD** - Gramp's Garage, 16 Main Street, 01754, (508) 461-0463

**NEEDHAM** - Suburban Appliance Service Center, 34 Wexford Street, 02492, (781) 449-8787

**QUINCY** - Appliance Service and Parts, Inc., 582 Washington Street, Rt. 3A, 02169, (617) 773-6656

**SALEM** - Fix Master, Inc., 190 North Street, 01970, (508) 745-0004

**SPRINGFIELD** - Utility Electric Service, Inc., 810 Main Street, 01101, (413) 781-1635

## MICHIGAN

**ALMA** - JTS Electronics, LLC, 306 East Center Street, 48801, (517) 463-5871

**ALMONT** - Almont Do It Center #5336, 4545 Vandyke, 48003, (810) 798-8922

**BAY CITY** - Bay Vac & Pedal, 805 Columbus Ave., 48708, (517) 892-7516

**BRIGHTON** - Complete Battery Source, 8023 W. Grand River, 48116, (810) 220-1050

**DEARBORN** - McNichols Electric Service, 1836 Grindley Park, 48124, (313) 563-7550

**DETROIT** - McNichols Electric Service, 13725 W. McNichols, 48235, (313) 342-6070, (800) 562-4226

**DETROIT (ROYAL OAK)** - McNichols Electric Service, 4115 West 13 Mile Road, 48072, (810) 288-5135

**FLINT (DAVISON)** - Gill-Roy's Hardware, 8405 E Davison, 48423, (810) 653-2288

**FLINT (SWARTZ CREEK)** - Gill-Roy's Hardware, 9061 Miller Road, 48473, (810) 635-2020

**GAYLORD** - Alpine Electronics, 604 West Main, 49735, (989) 732-5004, (800) 244-6633

**GRAND RAPIDS** - Superior Appliance Service Co., 1050 Scribner Avenue, NW, 49504, (616) 459-3271

**JACKSON** - Hammond Hardware, 1800 Francis St., P.O. Box 7, 49204, (517) 782-0704

**LANSING** - Rapid Appliance Service, 1606 E. Michigan Avenue, 48912, (517) 485-1320

**MARLETTE** - Thumb Appliance and Retail Center, 3441 Main Street, 49684, (989) 635-7848

**MIDLAND** - Gill-Roy's Complete Hardware, 3128 Jefferson Ave., 48640, (517) 832-2774

**PAW PAW** - Electronic Care Inc., 238 E. Michigan Avenue, 49079, (616) 657-2129

**PRUDENVILLE** - Ford's Do-It Center, 841 W. Houghton Lake Drive, 48651, (517) 366-7622

**ROYAL OAK** - McNichols Electric Service, 4115 Thirteen Mile Road, 48072, (248) 288-5135

**TRaverse CITY** - Gil-Roy's Hardware, 2701 Zimmerman Road, 49684, (231) 929-8160

## MINNESOTA

**BLAINE** - Barnes #1, 8701 Central Ave. NE, 55434, (763) 780-7229

**BRAINERD** - Git A'Round, 4299 Hwy. 371 North, 56401, (218) 828-8088

**DULUTH** - All Brand Mr. Fixit, 16 West First Street, 55802, (218) 722-1499

**ST. PAUL** - Barnes, 1573 University Avenue, 55104, (612) 646-3109

## MISSISSIPPI

**HATTIESBURG** - Champion Cycle & Fitness, 2625 Lincoln Road, 39402, (601) 310-0270

**IUKA** - W. H. Fairless Hardware Co., Inc., 117 Fulton Street, 38852, (662) 423-9256, (800) 797-9457

**JACKSON (RIDGELAND)** - Propeller Service, 291 Hwy. 51, Suite D6, 39157, (601) 856-3191

**MERIDIAN** - Broadmoor Home Center, 2420 Old North Hills Street, P.O. Box 3280, 39305, (601) 483-7373

**SALTILLO** - Polaris Outdoor World, 3463 Tom Watson Drive, 38866, (662) 680-4733

**STARKVILLE** - East Mississippi Lumber Co., 300 Russell Street, 39759, (662) 323-3554

## MISSOURI

**GLADSTONE** - Mar-Beck Appliance Service Co., 6559 North Oak Traffic Way, 64118, (816) 436-9191

**INDEPENDENCE** - Mar-Beck Appliance Service Co., 4476 South Noland Road, 64055, (816) 478-1889

**KANSAS CITY** - Mar-Beck Appliance Service Co., 303 W. 79th Street, 64114, (816) 523-6931

**POPLAR BLUFF** - Mills Iron & Supply, 1919 S. Westwood Blvd., 63901, (573) 785-2628

**ST. LOUIS** - Authorized Appliance, Inc., 2355 Hampton Avenue, 63139, (314) 647-4250

## MONTANA

**BILLINGS** - Radio Equipment Company, 1120 16th Street West, 59104, (406) 256-9778, (800) 711-4024

## NEBRASKA

**GRAND ISLAND** - Mundt's Small Appliance & Vacuum Repair, 1822 W. Northfront Street, 68803, (308) 382-5084

**LINCOLN** - CB Small Appliance, 432 South 11th Street, 68508, (402) 475-2546

**LINCOLN** - Sperry TV, 1115 North 47th St., 68503, (402) 464-9181

**NORTH PLATTE** - Sperry TV, 1855 West A Street, Westfield Shopping Center, 69010, (308) 532-5200

**OMAHA** - Myers Electric Co., 7342 Farnam, 68114, (402) 393-8388, (800) 234-1414

## NEVADA

**LAS VEGAS** - Burney's Commercial Service, Inc., 4480 Aldebaran Avenue, 89103, (702) 736-0006

**MINDEN** - Valley Home & Sport Center, 1587 Highway 395, 89423, (775) 782-5111

## NEW HAMPSHIRE

**MARLBOROUGH** - Electronics Aid Inc., 32 Roxbury Road P.O. Box 325, 03455, (603) 876-4161

## NEW JERSEY

**DENVILLE** - Ranft's Denville Vacuum & Appliance, 12 Broadway, 07834, (973) 627-1156

**HAWTHORNE** - Ter Kuile, Inc., 206 Diamond Bridge Avenue, 07506, (201) 423-1142

**HIGHLAND PARK** - Dash Electronics, 10 North Second Ave, 08904, (732) 247-2495

**HOWELL** - South Jersey TV Service, Inc., 4232 Rt. 9 South, 07731, (908) 363-5550, (800) 244-3094

**SOUTHAMPTON** - Southampton Auto Center, 1831 Rt. 206, 08088, (609) 859-3987, (609) 859-3341

**SICKLERVILLE** - Sicklerville Hardware, 540 Williamstown Road, 08081, (856) 728-3800

**TOMS RIVER** - South Jersey TV Service, Inc., Stella Towne Center, 1258 Rt. 166, 08753, (908) 505-1771

**TRENTON** - Tattersall, Inc., 309 N. Willow Street, 08618, (609) 393-4293

# Authorized Service Centers

## NEW MEXICO

**ALBUQUERQUE** - Appliance Service Center, 3219 Candelaria, NE, 87107, (505) 265-7774  
**CLOVIS** - Burns Hardware, 1511 N. Prince, 88101, (505) 769-2528

## NEW YORK

**ALBANY** - Lake Electronic Service, 1650 Central Avenue, 12205, (518) 869-8424, (800) 585-3777  
**BAYSHORE, L.I.** - Turnpike Appliance of Suffolk, Inc., 1253 Sunrise Highway, 11706, (631) 665-8311  
**BRONX** - Home Appliance Vacuum Word, 5902 Riverdale Avenue, 10471, (718) 884-4600  
**BUFFALO (WILLIAMSVILLE)** - Hector's Hardware, 876 Maple Road, 14221, (716) 688-4488  
**BUFFALO (HAMBURG)** - K-Technologies, 5424 Abel Road, 14075, (716) 649-5460  
**COMMACK, L.I.** - Turnpike Appliance Service, 6181 Jericho Turnpike, 11725, (631) 499-3355  
**EAST AURORA** - Sem-Fab of Western New York, 150 Elm Street, 14052, (716) 655-5228  
**ELMIRA** - Capabilities, Inc., 1149 Sullivan Street, 14901, (607) 734-2006  
**HOWARD BEACH** - Crossbay Appliance Service, 158-34 Crossbay Blvd, 11414, (718) 843-4422  
**HUDSON** - Sweeps Vacuum & Repair Center, Inc., 705 Warren Street, 12534, (518) 828-5457  
**MONTICELLO** - Wayne's Small Engine, 66 St. John Street, 12701, (845) 796-1851  
**OCEANSIDE** - Turnpike Appliance Service, 3495A Lawson Boulevard, 11572, (516) 486-5700  
**POUGHKEEPSIE** - S & S Appliance Sales & Service, 390 Violet Avenue, 12601, (845) 452-6122  
**RICHMOND HILL** - Lockdoctor Locksmiths, 104-37 Atlantic Ave., 11418 (718) 441-6242  
**ROCHESTER** - Benfante Appliance Service, 1286 Mt. Hope Avenue, 14620, (716) 473-8765  
**SYRACUSE** - County Wide Appliance, 1001 N. State Street, 13208, (315) 479-5253, (877) 479-5253  
**TUCKAHOE** - Authorized Appliance of Westchester, 26 Columbus Ave., 10707, (914) 961-8011  
**WARWICK** - Wadeson Home Center, 60 Forester Ave., 10990, (845) 987-2215, (800) 982-2215 (NY only)  
**YORKVILLE** - Yorkville Battery Inc., 126 Whitesboro Street, 13495, (315) 736-2307

## NORTH CAROLINA

**ANDREWS** - Smoky Mountain Hobbies, 200 Stewart Road, 28901, (828) 321-9836  
**ASHEVILLE** - Skyland Hardware, 3179 Sweeten Creek Road, 28803, (704) 684-0308  
**CHARLOTTE** - Authorized Appliance Servicenter, 1020 Tuckaseegee Road, 28208, (704) 377-4501, (800) 532-6127  
**CLINTON** - Danny's Service Center, 119 Vance Street, 28328, (910) 592-3200  
**ELIZABETH CITY** - Coastal Office Equipment Co., 501 East Church Street, 27909, (919) 335-2927  
**GREENSBORO** - Little Creek Electronics., 3310 N. Church Street, 27406, (336) 375-9890, (877) 446-7144  
**HICKORY** - Power Tool & Electric Equipment, 442 Highland Avenue S.E, 28602, (828) 327-8400  
**JACKSONVILLE** - Discount Sales and Service, 468-B Western Blvd., 28456, (910) 455-6700  
**RALEIGH** - Authorized Appliance Service Center, 800 North Person Street, 27604, (919) 834-3476  
**WINSTON-SALEM** - Authorized Appliance Service Center, 904 S. Marshall Street, 27117, (910) 725-5396

## NORTH DAKOTA

**BISMARCK** - Guitarland, 210 E Main Street, 58501, (701) 255-0212  
**DICKINSON** - Fix It Shop, 316 21st Street E, 58601, (800) 871-0766  
**FARGO** - General Parts & Supply Co., 10 S. 18th St, 58103, (701) 235-4161, (800) 279-9987

## OHIO

**AKRON** - Advanced Appliance Service Company, 73 W. Exchange Street, 44308, (330) 762-8968  
**CANTON** - Appliance Parts Co., 1267 Dueber Avenue, SW, 44706, (330) 453-8077  
**CINCINNATI** - H&S Service, 458 Cincinnati Batavia Pike, 45244, (513) 528-0808  
**CLEVELAND (MENTOR)** - Lake Erie Lawn & Garden, 7833 Munson Rd., 44060, (216) 257-9000  
**CLEVELAND (PARMA)** - Majors Appliance, 5785 Ridge Road, 44129, (216) 884-7200  
**CLEVELAND (WESTLAKE)** - Philips Consumer Electronics, 24090 Detroit Avenue, 44145, (216) 899-2040, (800) 331-7037  
**DAYTON** - Layer Electric, 603 South Ludlow Street, 45402, (937) 224-9608  
**DAYTON (NEW CARLISLE)** - Ballweg Do-It Center, 3300 South Dayton, Lakeview Rd., 45344, (937) 849-1306  
**GALION** - Allied Electrical Repair, 1404 Harding Way East, 44833, (419) 468-4962, (800) 648-6771  
**GROVE CITY** - City Bike Repair, 3957 Broadway, 43123, (614) 871-9123  
**LIMA** - Crouse Lumber Do-It Center, 333 E. Market Street, 45801, (419) 229-9070, (800) 826-9663  
**MANSFIELD** - Boliantz Hardware, 860 Ashland Road, 44905, (419) 589-5467  
**PORTSMOUTH** - Market St Hardware & Toy Town, 217 Market Street, 45662, (740) 456-5704  
**TOLEDO** - Mr. Appliance of Toledo Inc., 1621 Broadway, 43609, (419) 241-9731, (800) 436-5415  
**WELLINGTON** - Travelite Inc., 750 Industrial Avenue, P.O. Box 98, 44090, (440) 647-3670, (800) 326-0406  
**YOUNGSTOWN** - O'Connor's, 3224 Market Street, 44507, (330) 782-4705  
**ZANESVILLE** - Batteries Unlimited, 2350 Adamsville Road, 43701, (740) 453-3311

## OKLAHOMA

**McCALESTER** - Quality Upholstery, 803 East Gene Stipe Blvd., 74501, (918) 423-4747  
**OKLAHOMA CITY** - Appliance Services by CK, 101 East Madison, 73105, (405) 525-8862  
**OKLAHOMA CITY** - Oklahoma Service Center, 1940 North May Street, 73107, (405) 946-9841  
**TULSA** - H.L. Moss, Inc., 1714 E. 15th Street, 74104, (918) 744-1305, (800) 248-5948

## OREGON

**EUGENE** - Oldfield's, 1465 West 7th, 97402, (541) 485-6000, (800) 944-0238  
**PORTLAND** - Appliance Repair Central, 2033 N. E. Columbia Blvd, 97211, (503) 285-1828, (800) 588-7339

## PENNSYLVANIA

**ALTOONA** - Frye's Sweeper & Sewing Center, Inc., 1400 Valley View Boulevard, 16602, (814) 943-5001, (800) 640-1308  
**BUTLER** - Battery Warehouse, 469 Cunningham Street, 16001, (724) 287-3191  
**CRANBERRY** - Batteries Plus North, Cranberry Towne Plaza 20808 Route 19, 16066, (724) 742-1690  
**ERIE** - Parke T. Morrow Inc., 627 West 26th Street, 16508, (814) 455-7566  
**GRAPEVILLE** - Jiffy Service, 12 Fourth Street, 15634, (724) 523-5585  
**GROVE CITY** - Battery Warehouse, 620 East Main Street, 16127, (724) 458-1655  
**HARRISBURG** - C.A. Juillard, Inc., 2301 North Seventh Street, 17110, (717) 233-3488, (800) 633-3488  
**KINGSTON** - Vac-Way Appliance & Service, 595 Market Street, 18704, (570) 288-4508  
**LANCASTER** - Colonial Electronics Inc., 241 West Roseville Suite #2t, 17601, (717) 560-2222  
**McDONALD** - Small Engine World, 130 East O'Hara Street, 15057 (724) 926-3330

**MOSCOW** - Vac-Way Appliance & Service, RR #6 Box 6237, 18444, (570) 842-4668

**ORANGEVILLE** - Hess Do-It Center & Market, Route 487, Box 4 M, 17859, (570) 683-5162

**PHILADELPHIA** - Appliance Care/Service Corp., 6407 Rising Sun Ave., 19111, (215) 725-3112

**PHILADELPHIA (COLLINGDALE)** - J.F. Kenney Electric, 920 MacDade Blvd, 19023, (610) 534-7373

**PITTSBURGH** - Batteries Plus, 3912 Library Road, 15234, (412) 531-1690

**READING** - Electric Repair Co., 502-504 N. 9th Street, 19604, (610) 376-5444, (800) 422-8171 (PA only)

**SCRANTON** - Vac-Way Appliance and Service, 601 Cedar Avenue, 18505, (570) 343-1121

**SHAMOKIN DAM** - Willard Battery Outlet, 138 S. Old Trail, 17876, (570) 743-5383

**SHIPPENVILLE** - Battery Warehouse, 11041 Rt 322 Riverhill, 16254, (814) 227-2123

**TROY** - Hoover Hardware, 9 Canton, 16947, (800) 251-2156, (570) 297-3445

**WILKES-BARRE** - Walter Hardware DO-IT Center, 57 N. Welles Street, 18702, (570) 823-1406

## PUERTO RICO

**MAYAGUEZ** - Cardona Appliance Service, 8 San Vicente Street, 00680, (787) 832-8366

**MAYAGUEZ** - AAA Melendez Rental, Calle Post 319 Sur, 00680, (787) 832-5225

**PONCE** - Ferreteria Vivian, Centro Comercial, Los Caobos #7, 00731, (787) 840-0677

**PUERTO NUEVO** - Buckeye Service, 1013 Jesus T. Pinero Avenue, 00920, (787) 782-6175

## SOUTH CAROLINA

**AIKEN** - Dunagan's Sewing & Vacuum, 1536 Whiskey Road, 29803, (803) 649-6777

**BELTON** - American Pro Office Equipment, 309 Forest Lane, 29627, (864) 338-9041

**CHARLESTON HEIGHTS** - Dorchester Electric Service, 3575 Dorchester Avenue, 29405, (803) 747-5221

**COLUMBIA** - Authorized Appliance Servicenter, 1811 Taylor Street, 29202, (803) 254-8414

**DARLINGTON** - Hobbies and More, 1570 South Main Street, 29532, (803) 393-0355, FAX (803) 393-8171

**EASLEY** - Trails End Bicycles, 110 Pendleton Street, 29640, (864) 306-1684

**FORT MILL** - Service Engines & Supply, Inc., 3023 Highway 21, 29715, (803) 548-1778, (800) 845-1191

**GREENWOOD** - Bikes & Boards & Mopeds, 203A Montague Avenue, 29646, (864) 229-2453

**SENECA** - Seneca Micronics, 110 East North First, 29678, (864) 882-6593

## SOUTH DAKOTA

**WINNER** - Nelson's Electronics Inc., 422 West 2nd Street P.O. Box 369, 57580, (605) 842-1611, (888) 842-1699

## TENNESSEE

**CHATTANOOGA** - Consumer Service Company, 2607 E 47th Street, 37407, (423) 867-8629

**DANDRIDGE** - Save More Sales, 1291 W Hwy. 25-70, 37725, (865) 397-1255

**KNOXVILLE** - Appliance & Electric Service Company, 3613 Sutherland Avenue, 37919, (865) 588-5395, (800) 585-5395

**KNOXVILLE** - Authorized Appliance Service Center, 1206 North Central Street, 37917, (865) 524-3376

**MEMPHIS** - Camp Electric Co., 647 Madison Avenue, 38103, (901) 527-7543, (800) 238-7345

**NASHVILLE** - Webb's Appliance Service Center, Inc., 1519 Church Street, 37203, (615) 329-4079, (800) 899-4079

**PINEY FLATS** - Appalachian Small Engines, 6192 Hwy 11E, 37686, (423) 391-0185, (800) 219-8810

# Authorized Service Centers

## TEXAS

**AMARILLO** - Reid's Appliance Service, Inc.,  
906 Georgia, 79102, (806) 373-8812

**CORPUS CHRISTI** - Brand Appliance & Microwave,  
2751 South Staples, 78404, (361) 854-1851

**DALLAS** - All Type Sales and Service Co., Inc.,  
2835 Irving Blvd., 75207, (214) 638-1170,  
(800) 717-1170

**DALLAS** - Pearsol Appliance Co., 3127 Main Street,  
75226, (214) 939-0930

**FT. WORTH** - Ft. Worth Shaver and Appliance Center,  
1900 Montgomery Street, 76107, (817) 335-9970,  
(800) 816-2126

**HOUSTON** - Brand Service Center, 5727 Richmond  
Avenue, 77057, (713) 782-8910

**KILLEEN** - Master Tech Repairs, 501 West Elms Road  
Suite #10, 76542, (254) 618-5480

**LONGVIEW** - Foster's, 3315 Gilmer Road, 75604,  
(903) 759-3939

**LUBBOCK** - Minter's, 4409 50th Street, 79414,  
(806) 799-3170

**LUFKIN** - STS Audio and Video, 1505 South First  
Street, 75901, (936) 639-4529

**MC ALLEN** - All-In-One Repair Shop, 2313 Lark  
Avenue, 78504, (210) 682-8858

**MIDLAND** - Midland Tool Specialty, 918 South Main,  
79701, (915) 682-4647, (800) 499-0755

**PASADENA** - Larry's TV Service, 3520 Fairmont  
Parkway, 77504, (713) 998-0122

**ROMA** - True Value Hardware, 1004 E. Highway 83,  
(210) 849-1322

**SAN ANTONIO** - Texas Shaver & Appliances,  
8121 Callaghan Road, 78230, (210) 344-8577

**TEMPLE** - Master Tech Repairs, 2819 West Avenue  
North, 76504, (817) 773-8991

**WICHITA FALLS** - Allens Appliance Service,  
2403 10th Street, 76309, (940) 766-2635

## UTAH

**OREM** - The Mending Shed, 1735 South State Street,  
84058, (801) 225-8012, (800) 339-9297

**SALT LAKE CITY** - Appliance Service Center, Inc.,  
210 East 6th South, 84111, (801) 328-9703

**WILLARD** - Peak Electric Co Inc, 780 N 200 W,  
84340, (435) 723-7104

## VIRGINIA

**ALEXANDRIA** - D & S Repair Service, 20 South Dove  
Street., 22314 (703) 683-0009

**FREDERICKSBURG** - Fredericksburg Electrical  
Repair, Inc., 10825-D Houser Drive, 22408,  
(540) 891-7911

**HARRISONBURG (PENN LAIRD)** - J.L. Maintenance  
& Repair, Inc., Rt 2, Box 308, 22846, (540) 289-9844

**LOUISA** - Lakeside Electric Const., 4344 Davis  
Highway Suite 2, 23093, (540) 967-3000

**RICHMOND** - Wells Inc., 3502 Jefferson Davis  
Highway, 23234, (804) 233-6726

**ROANOKE** - Commonwealth Shaver & Appliance  
Service, 5524 Williamson Road, NW, 24012,  
(540) 366-6038

**SOUTH BOSTON** - South Boston True Value,  
307 Broad Street, 24592, (804) 572-6666

**VIRGINIA BEACH** - Commonwealth Electric Shaver,  
549 Newton Road #108, 23462, (757) 490-0500

**WINCHESTER** - Battery Mart of Winchester, Inc.,  
1 Battery Dr., 22601, (703) 655-0065

## WASHINGTON

**ARLINGTON** - Cordz Limited, 105 North Olympic  
Avenue, 98223, (360) 435-2471

**KENNEWICK** - At Home Electronic Service,  
313 East First Avenue, 99336, (509) 586-3800

**SEATTLE** - Action Small Appliance, 2125 2nd Avenue,  
98121, (206) 448-2020

**SEATTLE (BELLEVUE)** - Action Small Appliance  
Service, 1500 145th Place, SE, 98007,  
(206) 643-9806

**SPOKANE** - Aalwaco Appliance, N 3007 Argonne  
Road, 99212, (509) 487-1089

## WEST VIRGINIA

**BECKLEY** - Jerry's Detectors, Vacuum & Appl. Svc.,  
411 Second Street. 25801, (304) 253-3521

**CHARLESTON** - Sneed's Vacuum & Sewing Center,  
2614 7th Avenue, 25312, (304) 744-3670,  
(800) 245-8048 (WV only)

**HUNTINGTON** - Mike's Appliance and Service,  
212 20th Street, 25703, (304) 522-0737

**MARTINSBURG** - Battery Mart, 1161-3 Winchester  
Avenue, 25401, (304) 267-7033, (800) 464-7918

**PARKERSBURG** - Battery Mart, 656 Seventh Street,  
26101, (304) 424-7250

**VIENNA** - T & S Lawn - Landscape & Power  
Equipment, 1100 10th Street, 26105, (304) 295-7633  
(800) 559-7633

**WHEELING** - Fast Service Center, 1058 Main Street,  
26003, (304) 232-5561 (800) 874-4090

## WISCONSIN

**ELK MOUND** - Epp Electronics, E9485-A County  
Road EE, 54739, (715) 879-4634

**GREENBAY** - Kastle Carts, Inc., 2301 N. Irwin Ave.,  
54313, (414) 465-6121

**LACROSSE** - Paul's Shaver Service, 1224 Caledonia  
Street, 54603, (608) 782-6291

**MILWAUKEE** - Abby Electronics, 4295 S. 20th Street,  
53221, (414) 281-6602

**MILWAUKEE** - Brand Appliance Repair, Inc.,  
6601 W Oklahoma Avenue, 53219, (414) 541-4340

**MONONA** - Kiefers Shaver & Appliance, 4511 Monona  
Drive, 53716, (608) 221-3322

# IMPORTANT!

**DO NOT use this vehicle for the first time until you have charged the battery for 18 hours.**

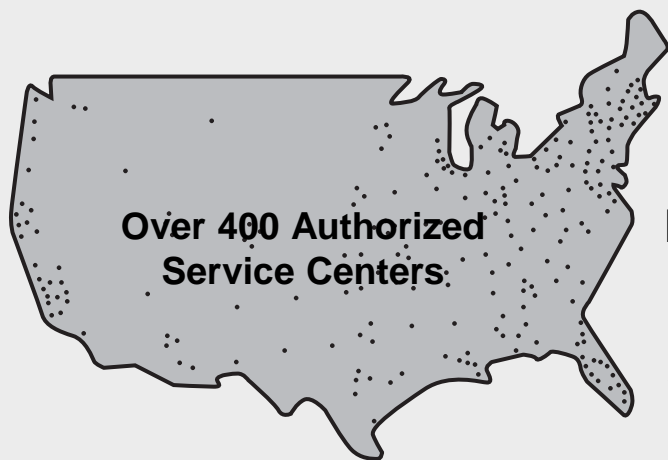
Remember to...

- ✓ Charge the battery immediately after each use.
- ✓ Charge the battery once a month during storage, even if the vehicle has not been used.

Failure to follow these instructions will permanently damage your battery and void your warranty. Please refer to the Battery Care Section in this manual for more information.

For high speed operation, please refer to the "How to Operate Your Vehicle" section in this manual for more information.

# DO NOT Return your Vehicle to the Store !



If you are missing parts or need assistance, please call us toll-free:

**Power Wheels® Consumer Relations**

**1-800-348-0751**

**8 AM - 6 PM EST, Monday through Friday.**

Or contact your local, independently owned and operated Power Wheels® Authorized Service Center.

For the location nearest you, refer to the Authorized Service Center list in this manual.



Fisher-Price, Power Wheels, Power Wheels by Fisher-Price, Power Lock and Super Shock Dirt Bike are U.S. trademarks of Mattel, Inc. Fisher-Price, Inc., a subsidiary of Mattel, Inc., East Aurora, New York 14052 U.S.A.  
©2002 Mattel, Inc. All Rights Reserved. ® and ™ are registered trademarks of Mattel Inc.



## Free Manuals Download Website

<http://myh66.com>

<http://usermanuals.us>

<http://www.somanuals.com>

<http://www.4manuals.cc>

<http://www.manual-lib.com>

<http://www.404manual.com>

<http://www.luxmanual.com>

<http://aubethermostatmanual.com>

Golf course search by state

<http://golfingnear.com>

Email search by domain

<http://emailbydomain.com>

Auto manuals search

<http://auto.somanuals.com>

TV manuals search

<http://tv.somanuals.com>