

# KS152JB Universal Communications Controller

## Technical Specifications

---

### 1.0 INTRODUCTION

The 80C152 Universal Communications Controller is an 8-bit microcontroller designed for the intelligent management of peripheral systems or components. The 80C152 is a derivative of the 80C51 and retains the same functionality. These enhancements include: a high speed multi-protocol serial communication interface, two channels for DMA transfers, HOLD/HLDA bus control, a fifth I/O port, expanded data memory, and expanded program memory.

In addition to a standard UART, referred to here as Local Serial Channel (LSC), the 80C152 has an on-board multi-protocol communication controller called the Global Serial Channel (GSC). The GSC interface supports SDLC, CSMA/CD, user definable protocols, and a subset of HDLC protocols. The GSC capabilities include: address recognition, collision resolution, CRC generation, flag generation, automatic retransmission, and a hardware based acknowledge feature. This high speed serial channel is capable of implementing the Data Link Layer and the Physical Link Layer as shown in the OSI open systems communication model. This model can be found in the document "Reference Model for Open Systems Interconnection Architecture", ISO/TC97/SC16 N309.

The DMA circuitry consists of two 8-bit DMA channels with 16-bit addressability. The control signals; Read (RD), Write (WR), hold and hold acknowledge (HOLD/HLDA) are used to access external memory. The DMA channels are capable of addressing up to 64K bytes (16 bits). The destination or source address can be automatically incremented. The lower 8 bits of the address can be automatically incremented. The lower 8 bits of the address are multiplexed on the data bus Port 0 and the upper eight bits of address will be on Port 2. Data is transmitted over an 8-bit address/data bus. Up to 64k bytes of data may be transmitted for each DMA activation.

The new I/O port (P4) function the same as Ports 1-3 found on the 80C51.

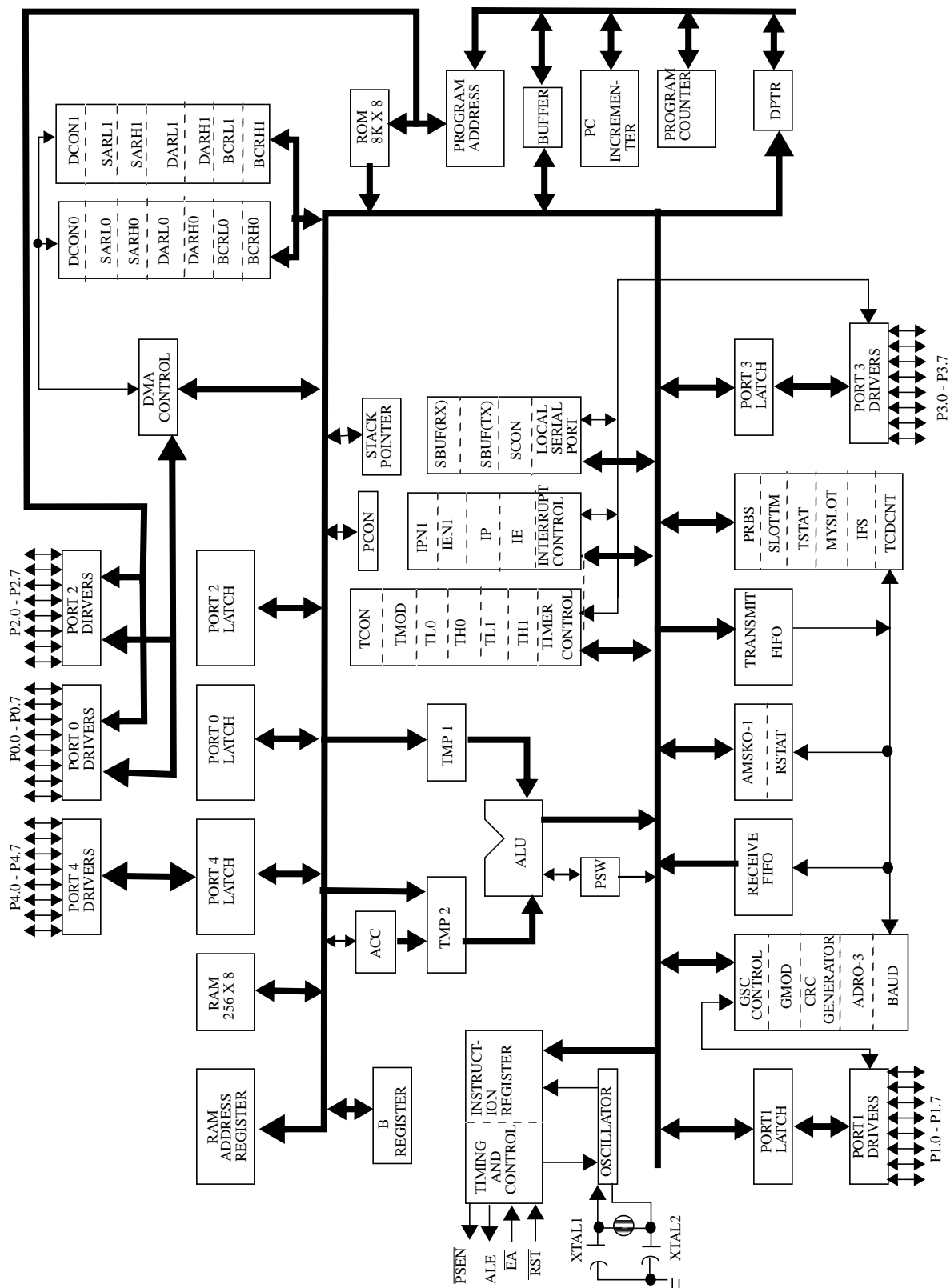
Internal memory has been doubled in the 80C152. Data memory has been expanded to 256 bytes, and internal program memory has been expanded to 8 bytes.

There are also some specific differences between the 80C152 and the 80C51. The first difference is that RESET is active low in the 80C152 and active high in the 80C51H. The second difference is that GF0 and GF1, general purpose flags in PCON, have been renamed GF1EN and XRCLK. GF1EN enables idle flags to be generated in SDLC mode, and XRCLK enables the receiver to be externally clocked. All of the previously unused bits are now being used and interrupt vectors have been added to support the new enhancements.

Throughout the rest of this manual the 80C152 will be referred to generically as the "C152". The C152 is based on the 80C51 architecture and utilizes the same 80C51 instruction set. There have been no new instructions added. All the new features and peripherals are supported by an extension of the Special Function Registers (SFRs). A brief information on cpu functions as: the instruction set, port operation, timer/counters, etc., is included in this document.

# KS152JB Universal Communications Controller

## Technical Specifications



# KS152JB Universal Communications Controller

## Technical Specifications

### 2.1 Pin Description

Table 1: PIN DESCRIPTION

Name	Description																								
<b>Port 0</b>	<p>Port 0 is an 8-bit open drain bi-directional I/O Port. As an output port each pin can sink 8 LS TTL inputs. Port 0 pins that have 1s written to them float, and in that state can be used as high-impedance inputs.</p> <p>external program memory if EBEN is pulled low. During accesses to external Data Memory, Port 0 always emits the low-order address byte and serves as the multiplexed data bus. In these applications it uses strong internal pullups when emitting 1s.</p> <p>Port 0 also outputs the code bytes during program verification. External pullups are required during program verification.</p>																								
<b>Port 1</b>	<p>Port 1 is an 8-bit bidirectional I/O port with internal pullups. Port 1 pins that have 1s written to them are pulled high by the internal pullups, and in that state can be used as inputs. As inputs, Port 1 pins that are externally being pulled low will source current (<math>I_{IL}</math>, on the data sheet) because of the internal pullups.</p> <p>Port 1 also serves the functions of various special features of the 8XC152, as listed below:</p> <table border="1"> <thead> <tr> <th>Pin</th> <th>Name</th> <th>Alternate Function</th> </tr> </thead> <tbody> <tr> <td>P1.0</td> <td>GRXD</td> <td>GSC data input pin</td> </tr> <tr> <td>P1.1</td> <td>GTXD</td> <td>GSC data output pin</td> </tr> <tr> <td>P1.2</td> <td><math>DEN^-</math></td> <td>GSC enable signal for an external driver</td> </tr> <tr> <td>P1.3</td> <td><math>\overline{TXC}</math></td> <td>GSC input pin for external transmit clock</td> </tr> <tr> <td>P1.4</td> <td><math>\overline{RXC}</math></td> <td>GSC input pin for external receive clock</td> </tr> <tr> <td>P1.5</td> <td>HLD</td> <td>DMA hold input/output</td> </tr> <tr> <td>P1.6</td> <td>HLDA</td> <td>DMA hold acknowledge input/output</td> </tr> </tbody> </table>	Pin	Name	Alternate Function	P1.0	GRXD	GSC data input pin	P1.1	GTXD	GSC data output pin	P1.2	$DEN^-$	GSC enable signal for an external driver	P1.3	$\overline{TXC}$	GSC input pin for external transmit clock	P1.4	$\overline{RXC}$	GSC input pin for external receive clock	P1.5	HLD	DMA hold input/output	P1.6	HLDA	DMA hold acknowledge input/output
Pin	Name	Alternate Function																							
P1.0	GRXD	GSC data input pin																							
P1.1	GTXD	GSC data output pin																							
P1.2	$DEN^-$	GSC enable signal for an external driver																							
P1.3	$\overline{TXC}$	GSC input pin for external transmit clock																							
P1.4	$\overline{RXC}$	GSC input pin for external receive clock																							
P1.5	HLD	DMA hold input/output																							
P1.6	HLDA	DMA hold acknowledge input/output																							
<b>Port 2</b>	<p>Port 2 is an 8-bit bi-directional I/O port with internal pullups. Port 2 pins that have 1s written to them are pulled high by the internal pullups, and in that state can be used as inputs. As inputs, Port 2 pins that are externally being pulled low will source current (<math>I_{IL}</math>, on the data sheet) because of the internal pullups. port 2 emits the high-order address byte during fetches from external program memory if EBEN is pulled low. During accesses to external Data Memory that use 16-bit addresses (MOVX @ DPTR and DMA operations), Port 2 emits the high-order address byte. In these applications it uses strong internal pullups when emitting 1s. During accesses to external Data Memory that use 8-bit addresses (MOVX @ Ri), Port2 emits the contents of the P2 Special Function Register. Port 2 also receives the high-order address bits during program verification.</p>																								

# KS152JB Universal Communications Controller

## Technical Specifications

**Table 1: PIN DESCRIPTION**

<p><b>Port 3</b></p>	<p>Port 3 is an 8-bit bi-directional I/O port with internal pullups. Port 3 pins that have 1s written to them are pulled high by the internal pullups, and in that state can be used as inputs. As inputs, Port 3 pins that are externally being pulled low will source current (<math>I_{IL}</math>, on the data sheet) because of the pullups. Port 3 also serves the functions of various special features of the MCS-51 Family, as listed below:</p> <table border="1" data-bbox="342 533 1399 867"> <thead> <tr> <th>Pin</th> <th>Name</th> <th>Alternate Function</th> </tr> </thead> <tbody> <tr> <td>P3.0</td> <td>RXD</td> <td>Serial input line</td> </tr> <tr> <td>P3.1</td> <td>TXD</td> <td>Serial output line</td> </tr> <tr> <td>P3.2</td> <td><math>\overline{INT0}</math></td> <td>External interrupt 0</td> </tr> <tr> <td>P3.3</td> <td><math>\overline{INT1}</math></td> <td>External interrupt 1</td> </tr> <tr> <td>P3.4</td> <td>T0</td> <td>Timer 0 external input</td> </tr> <tr> <td>P3.5</td> <td>T1</td> <td>Timer 1 external input</td> </tr> <tr> <td>P3.6</td> <td><math>\overline{WR}</math></td> <td>External Data Memory Write strobe</td> </tr> <tr> <td>P3.7</td> <td><math>\overline{RD}</math></td> <td>External Data Memory Read strobe</td> </tr> </tbody> </table>	Pin	Name	Alternate Function	P3.0	RXD	Serial input line	P3.1	TXD	Serial output line	P3.2	$\overline{INT0}$	External interrupt 0	P3.3	$\overline{INT1}$	External interrupt 1	P3.4	T0	Timer 0 external input	P3.5	T1	Timer 1 external input	P3.6	$\overline{WR}$	External Data Memory Write strobe	P3.7	$\overline{RD}$	External Data Memory Read strobe
Pin	Name	Alternate Function																										
P3.0	RXD	Serial input line																										
P3.1	TXD	Serial output line																										
P3.2	$\overline{INT0}$	External interrupt 0																										
P3.3	$\overline{INT1}$	External interrupt 1																										
P3.4	T0	Timer 0 external input																										
P3.5	T1	Timer 1 external input																										
P3.6	$\overline{WR}$	External Data Memory Write strobe																										
P3.7	$\overline{RD}$	External Data Memory Read strobe																										
<p><b>Port 4</b></p>	<p>Port 4 is an 8-bit bi-directional I/O port with internal pullups. Port 4 pins that have 1s written to them are pulled high by the internal pullups, and in that state can be used as inputs. As inputs, Port 4 pins that are externally being pulled low will source current (<math>I_{IL}</math>, on the data sheet) because of the internal pullups. In addition, Port 4 also receives the low-order address bytes during program verification.</p>																											
<p><b>Port 5</b></p>	<p>Port 5 is an 8-bit bi-directional I/O port with internal pullups. Port 5 pins that have 1s written to them are pulled high by the internal pullups, and in that state can be used as inputs. As inputs, Port 5 pins that are externally being pulled low will source current (<math>I_{IL}</math>, on the data sheet) because of the internal pullups. Port 5 is also the multiplexed low-order address and data bus during accesses to external program memory if EBEN is pulled high. In this application it uses strong pullups when emitting 1s.</p>																											
<p><b>Port 6</b></p>	<p>Port 6 is an 8-bit bi-directional I/O port with internal pullups. Port 6 pins that have 1s written to them are pulled high by the internal pullups, and in that state can be used as inputs. As inputs, Port 6 pins that are externally pulled low will source current (<math>I_{LL}</math>, on the data sheet) because of the internal pullups. Port 6 emits the high-order address byte during fetches from external Program Memory if EBEN is pulled high. In this application it uses strong pullups when emitting 1s.</p>																											
<p><b>XTAL1</b></p>	<p>Input to the inverting oscillator amplifier and input to the internal clock generating circuits.</p>																											
<p><b>XTAL2</b></p>	<p>Output from the oscillator amplifier.</p>																											
<p><b><math>\overline{RST}</math></b></p>	<p>Reset input. A logic low on this pin for three machine cycles while the oscillator is running resets the device. An internal pullup resistor permits a power on reset to be generated using only an external capacitor to <math>V_{SS}</math>. Although the GSC recognizes the reset after three machine cycles, data may continue to be transmitted for up to 4 machine cycles after Reset is first applied.</p>																											

# KS152JB Universal Communications Controller

## Technical Specifications

---

**Table 1: PIN DESCRIPTION**

<b><math>\overline{\text{ALE}}</math></b>	<p>Address Latch Enable output signal for latching the low byte of the address during accesses to external memory.</p> <p>In normal operation ALE is emitted at a constant rate of 1/6 the oscillator frequency, and may be used for external timing or clocking purposes. Note, however, that one ALE pulse is skipped during each access to external Data Memory. While in Reset, ALE remains at a constant high level.</p>
<b><math>\overline{\text{PSEN}}</math></b>	<p>Program Store Enable is the Read strobe to External Program Memory. When the 8XC152 is executing from external program memory, <math>\overline{\text{PSEN}}</math> is active (low). When the device is executing code from External Program Memory, <math>\overline{\text{PSEN}}</math> is activated twice each machine cycle, except that two <math>\overline{\text{PSEN}}</math> activations are skipped during each access to External Data Memory. While in Reset, <math>\overline{\text{PSEN}}</math> remains at a constant high level.</p>
<b><math>\overline{\text{EA}}</math></b>	<p>External Access enable. <math>\overline{\text{EA}}</math> must be externally pulled low in order to enable the 8XC152 to fetch code from External Program Memory locations 0000H to 0FFFH.</p> <p><math>\overline{\text{EA}}</math> must be connected to <math>V_{CC}</math> for internal program execution.</p>
<b>EBEN</b>	<p>E-Bus Enable input that designates whether program memory fetches take place via Ports 0 and 2 or ports 5 and 6. Table 2.1 shows how the ports are used in conjunction with EBEN.</p>
<b><math>\overline{\text{EPSEN}}</math></b>	<p>E-bus program Store Enable is the Read strobe to external program memory when EBEN is high. Table 2.1 shows when <math>\overline{\text{EPSEN}}</math> is used relative to <math>\overline{\text{PSEN}}</math> depending on the status of EBEN and <math>\overline{\text{EA}}</math>.</p>

# KS152JB Universal Communications Controller

## Technical Specifications

---

### 2.2 Special function Registers

The following table lists the SFR's present in 80152. Note that not all the addresses are occupied by SFR's. The unoccupied addresses are not implemented and should not be used by the customer. Read access from these unoccupied locations will return unpredictable data, while write accesses will have no effect on the chip

**Table 2: SFR map for the cpu**

F8	IPN1								FF
F0	B		BCRL1	BCRH1	RFIFO	MYSLOT			F7
E8	RSTAT								EF
E0	ACC		BCRL0	BCRH0	PBRS	AMSK1			E7
D8	TSTAT								DF
D0	PSW		DARL1	DARH1	TCDCNT	AMSK0			D7
C8	IEN1								CF
C0	P4		DARL0	DARH0	BKOFF	ADR3			C7
B8	IP								BF
B0	P3		SARL1	SARH1	SLOTTM	ADR2			B7
A8	IE								AF
A0	P2	P6	SARL0	SARH0	IFS	ADR1			A7
98	SCON	SBUF							9F
90	P1	P5	DCON0	DCON1	BAUD	ADR0			97
88	TCON	TMOD	TL0	TL1	TH0	TH1			8F
80	P0	SP	DPL	DPH	GMOD	TFIFO		PCON	87

Note: SFR's in marked column are bit addressable.

### 2.3 RESET

The RST pin is the input to a Schmitt Trigger whose output is used to generate the internal system reset. In order to obtain a reset, the RST pin must be held low for at least four machine cycles, while the oscillator is running. The CPU internal reset timings are shown in the Figure.

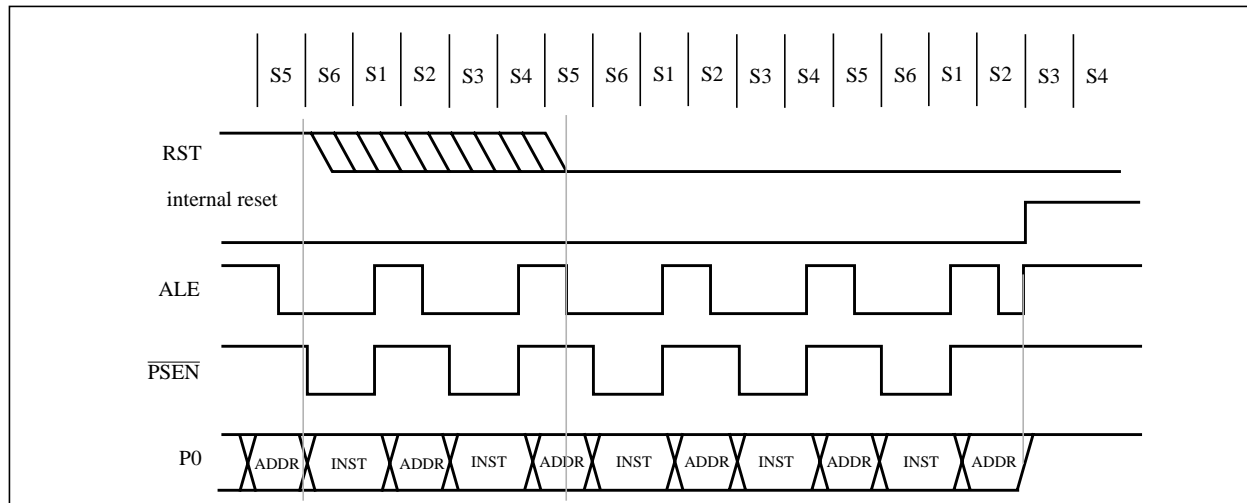
The external reset input RST is sampled on S5P2 in every machine cycle. If the sampled value is high, then the processor responds with an internal reset signal at S3P1, two machine cycles after the RST being sampled low. This means that there is an internal delay of 19 to 31 clock periods

# KS152JB Universal Communications Controller

## Technical Specifications

between the RST pin being pulled low and the internal reset being generated. During this time the CPU continues its normal operations.

The internal reset signal clears the SFRs except the port SFRs which have FFh written into them and the Stack Pointer which has 07h written to it. The SBUF is however in an indeterminate state. The Program Counter is reset to 0000h. The internal RAM is not affected by the reset and their contents remain unchanged. On power up, their contents is indeterminate.



**Reset Timing**

**Table 3: Reset Values of the SFRs**

SFR Name	Reset Value	SFR Name	Reset Value
PC	0000H	BRCL0-1	INDETERMINATE
ACC	00H	BCRH0-1	INDETERMINATE
B	00H	TL0	00H
PSW	00H	TH0	00H
SP	07H	TL1	00H
DPTR	0000H	TH1	00H
P0-6	FFH	ADR0-3	00H
RFIFO	INDETERMINATE	AMSK0-1	00H
RSTAT	00H	BAUD	00H
SARH0-1	INDETERMINATE	BKOFF	INDETERMINATE
SARH0-1	INDETERMINATE	SLOTTM	00H

# KS152JB Universal Communications Controller

## Technical Specifications

---

**Table 3: Reset Values of the SFRs**

SFR Name	Reset Value	SFR Name	Reset Value
IP	XXX00000B	SCON	00H
IE	0XX00000B	SBUF	INDETERMINATE
TMOD	00H	PCON	0XXX0000B
TCON	00H	DARL0-1	INDETERMINATE
DCON0-1	00H	DARh0-1	INDETERMINATE
GMOD	X0000000B	IFS	00H
IEN1	XX000000B	MYSLOT	00H
IPN1	XX000000B	PRBS	00H
TCDCNT	INDETERMINATE	TCON	00H
TFIFO	INDETERMINATE	TSTAT	XX000100B

## 2.4 PORT STRUCTURES AND OPERATION

The ports are all bidirectional. Each port consists of two sections, the port SFR and the I/O pad.

The Ports 0 and 2 are involved in accesses to external memory. In this case, Port 0 outputs the lower byte of the external memory address while port 2 outputs the higher byte of the external address. The Port 0 bus is also used as a data bus for the data byte that is read or is to be written. Therefore Port 0 is actually a time-multiplexed address/data bus. A point to note is that Port 2 outputs the upper 8 bits of the address only if the address is 16 bits wide, else it continues to emit the Port 2 SFR contents.

In order that the alternate functions on the port pin are activated correctly, the corresponding bit latch must be held at value 1. If this is not done then the corresponding port pin is stuck at 0, and external or internal inputs will have no effect on the pin value.

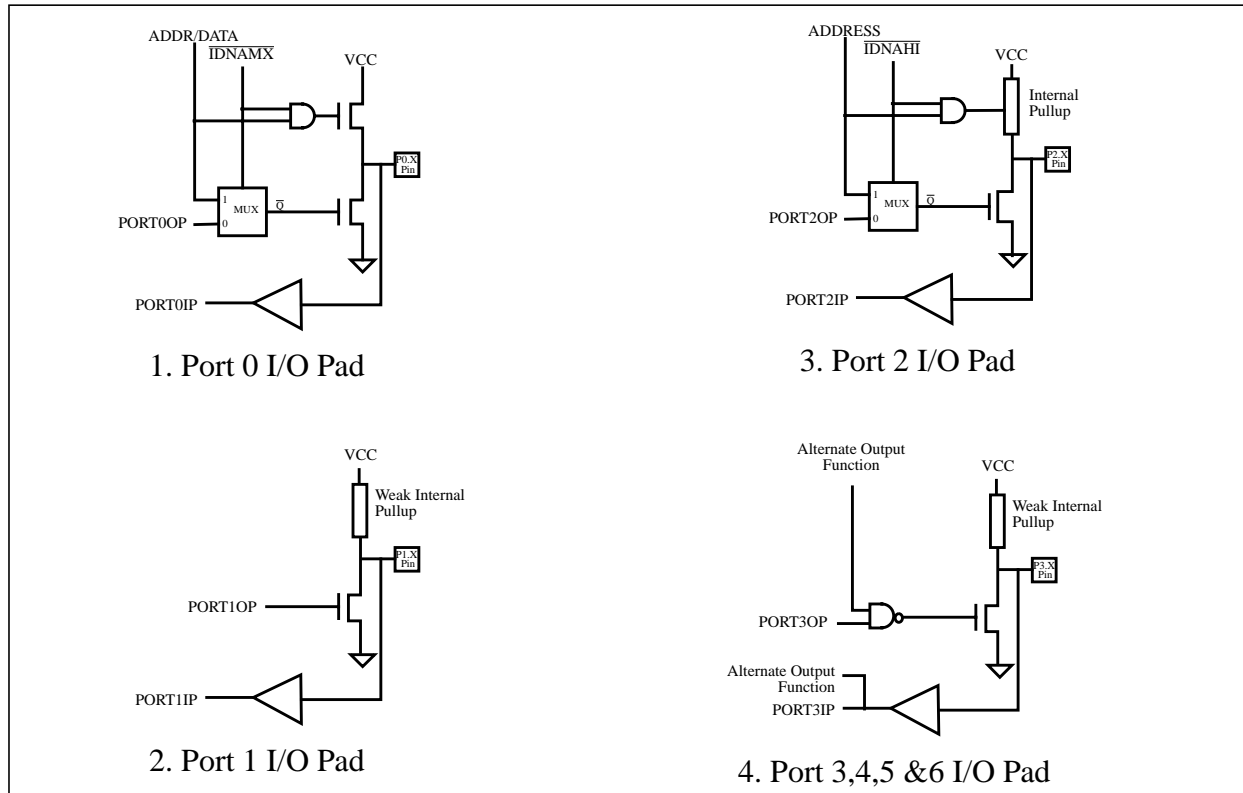
### I/O CONFIGURATIONS

Each individual port has different I/O pads to accommodate the different functions of each individual port. The figure below shows a simplified diagram of the I/O pads for each port.



# KS152JB Universal Communications Controller

## Technical Specifications



### Port bit I/O Pads

As shown in Figure above, Ports 0 and 2 can emit either their respective SFR contents or the ADDR/DATA and ADDRESS bus, depending upon the control lines IDNAMX and IDNAHI. During external memory accesses, the P2 SFR remains unchanged, but the P0 SFR is preset to FFh.

Ports 1, 2, 4, 5 and 6 have internal pullups, while Port 0 has an open drain output.

Every single I/O line can be individually configured as an input or output. However Ports 0 and 2 cannot be used as I/O ports since they are used as the ADDRESS/ DATA bus. To use any port pin as an input, the corresponding bit latch must contain a 1. This turns off the active pulldown FET. Then, for Ports 1, 2 and 3, the pin is pulled high by the internal pullup. The Internal pullup is a weak pullup and so the pin can be pulled low by a strong external source.

Port 0, however has no internal pullups. The active pullup FET is used only when the port pin is emitting a 1 during external memory accesses, else the pullup is off. Hence, when the port is used as an I/O pin; IDNAMX is 1; the pullup FET is always off. Writing a 1 to the bit latch will turn off the active pulldown FET and as a result the port pin will float.

As port 1, 2 and 3 have internal pullups, they will go high when configured as inputs and will source current. Hence they are also known as “quasi-bidirectional” ports. Port 0 on the other hand “floats” when configured as an input and hence is called a “true bidirectional” port.

# KS152JB Universal Communications Controller

## Technical Specifications

---

### Writing to a Port

During the execution of an instruction that changes the value of a port SFR, the new value arrives at the port latch during S6P2. However, the port latch contents do not appear on the port pins till the next P1 phase. Therefore the new port data will appear on the port pins at S1P1 of the next machine cycle.

### Read-Modify-Write Feature

Each port is split into its SFR and its corresponding I/O pad. Therefore there are two options available for a port read access. Either the SFR latch contents can be read or the input from the I/O pads can be read. The instructions that read the latch, modify the value and write it back to the latch are called “read-modify-write” instruction. In such instructions the latch and not the pin is read. The instruction of this category are listed as follows

ANL	logical AND
ORL	logical OR
XRL	logical XOR
JBC	jump if bit = 1 and then clear bit
CPL	complement bit
INC	increment
DEC	decrement
DJNZ	decrement and jump if not zero
MOV PX.Y, C	move carry bit to bit Y of Port X
CLR PX.Y	clear bit Y of port X
SETB PX.Y	set bit Y of X

### **2.5 Ports 4,5 and 6**

Ports 4,5 and 6 operation is identical to Ports 1-3 on the 80C51. Ports 5 and 6 exist only on the “JB” and “JD” version of the C152 and can either function as standard I/O ports or can be configured so that program memory fetches are performed with these two ports. To configure ports 5 and 6 as standard I/O ports, EBEN is tied to a logic low. When in this configuration, ports 5 and 6 operation is identical to that of port 4 except they are not bit addressable. To configure ports 5 and 6 to fetch program memory, EBEN is tied to a logic high. When using ports 5 and 6 to fetch the program memory, the signal EPSEN is used to enable the external memory device instead of PSEN. Regardless of which ports are used to fetch program memory, all data memory fetches occur over ports 0 and 2. The 80C152JB and 80C152JD are available as ROMless devices only. ALE is still used to latch the address in all configurations. Table 2.1 summarizes the control signals and how the ports may be used.

# KS152JB Universal Communications Controller

## Technical Specifications

---

Table 4:

EBEN	$\overline{EA}$	Program Fetch via	$\overline{PSEN}$	$\overline{EPSEN}$	Comments
0	0	P0, P2	Active	Inactive	Addresses 0 - 0FFFFH
0	1	N/A	N/A	N/A	Invalid Combination
1	0	P5, P6	Inactive		Addresses 0 - 0FFFFH
1	1	P5, P6 P0, P2	Inactive Active	Active Inactive	Addresses 0 - 1FFFH Addresses 0 - 2000H

## 2.6 ACCESSING EXTERNAL MEMORY

External Memory is accessed if either of the following two conditions is met

- 1) The signal  $\overline{EA}$  is low
- 2) Whenever the program counter (PC) contains an address greater than 0FFFh.

Accesses to external memory are of two type: External Program Memory accesses and External Data Memory accesses. External Program Memory is accessed using the  $\overline{PSEN}$  signal as the read strobe. External Data Memory is accessed using the  $\overline{RD}$  or  $\overline{WR}$  pins to strobe the memory.

Fetches from the external Program Memory always use a 16 bit address, while External Data Memory accesses can have addresses of 8 bit or 16 bit. Whenever a 16 bit address is used, Port 2 is used to emit the higher byte of the address. The point to note is that during external accesses, port 2 uses strong pullups while emitting 1s. During the time Port 2 does not emit the higher address byte, it continuously outputs the Port 2 SFR contents, which are not modified by the hardware (unless of course the user writes to the Port 2 SFR). If an 8 bit address is being used, then the Port 2 SFR contents will be outputted on the port pins throughout the external memory cycle.

The lower byte of the address is always multiplexed with the data byte on Port 0. The ADDR/DATA bus can drive both the active pullup and pulldown FETs. Thus for external memory accesses, the port 0 pins are not open-drain outputs and do not need any external pullups. The falling edge of the ALE signal can be used to store the address on Ports 0 and 2 in an external address latch. During a write cycle, the data to be written to the external Data Memory is present on Port 0 pins and remains there until after  $\overline{WR}$  is deactivated. In case of a read access, the data on Port 0 pins is read just before the deactivation of the  $\overline{RD}$  signal.

During accesses to external memory, the CPU presets the Port 0 SFR to FFh in order to float the Port 0 pins. Therefore any data that was present in the SFR latch will be lost. If the user, writes any data other than FFh to Port 0 during an external memory cycle, then the incoming code byte will be corrupted. Therefore, DO NOT WRITE TO Port 0 if external memory is used.

# KS152JB Universal Communications Controller

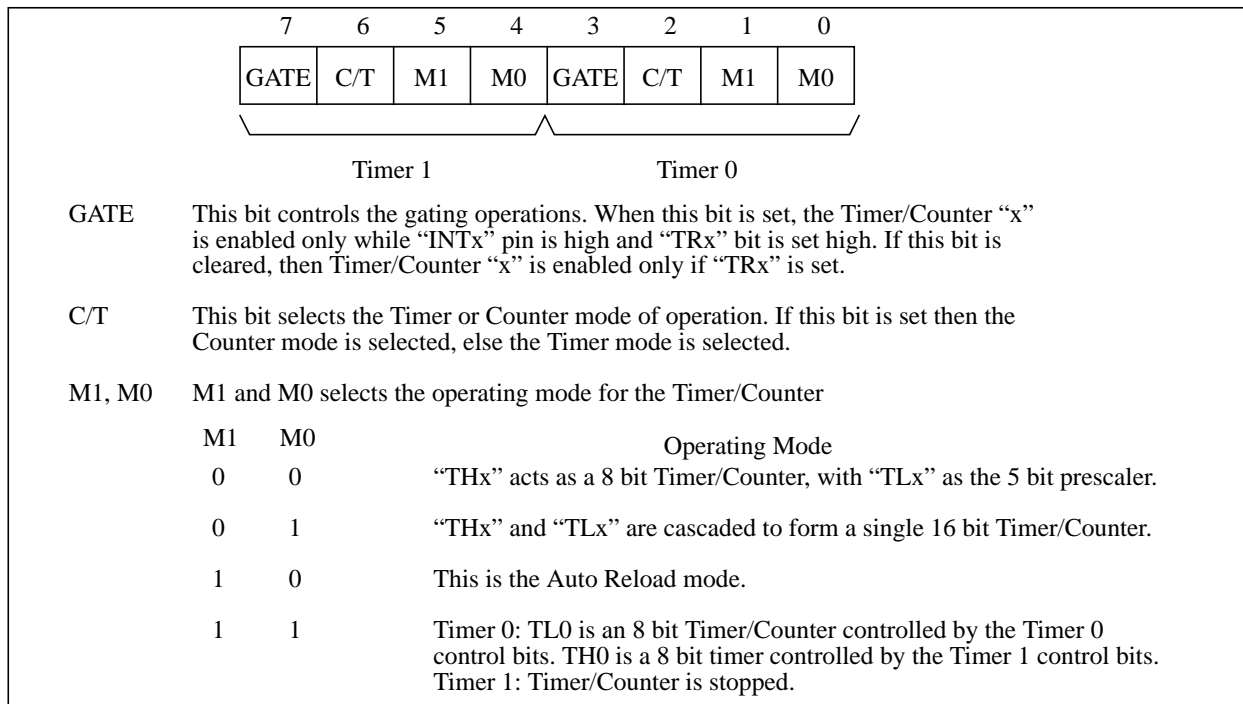
## Technical Specifications

During External Memory Accesses, both Ports 0 and 2 are used for Address/ Data transfer and therefore cannot be used for general I/O purposes. During external program fetches, Port 2 uses strong pullups to emit 1s.

### 2.7 TIMER/COUNTERS

This has two 16-bit Timer/Counters, TM0 and TM1. Each of these Timer/Counters has two 8 bit registers which form the 16 bit counting register. For Timer/Counter TM0 they are TH0, the upper 8 bits register and TL0, the lower 8 bit register. Similarly Timer/Counter TM1 has two 8 bit registers, TH1 and TL1 and Timer/Counter

When configured as a “Timer”, the register is incremented once every machine cycle. Since a machine cycle consists of 12 clock periods, the timer clock can be thought of as 1/12 of the master clock. In the “Counter” mode, the register is incremented on the falling edge of the external input pin, T0 in case of TM0, T1 for TM1. The T0, T1 inputs are sampled in every machine cycle at S5P2. If the sampled value is high in one machine cycle and low in the next, then a valid high to low transition on the pin is recognized and the count register is incremented. Since it takes two machine cycles to recognize a negative transition on the pin, the maximum rate at which counting will take place is 1/24 of the master clock frequency. In either the “Timer” or “Counter” mode, the count register will be updated in S3P1. Therefore, in the “Timer” mode, the recognized negative transition on pin T0 and T1 can cause the count register value to be updated only in the machine cycle following the one in which the negative edge was detected.



#### TMOD: Timer/Counter Mode Control Register

# KS152JB Universal Communications Controller

## Technical Specifications

	7	6	5	4	3	2	1	0
	TF1	TR1	TF0	TR0	IE1	IT1	IE0	IT0
TF1	Timer 1 overflow flag. Set by hardware on Timer/Counter overflow. Cleared by hardware when processor vectors to timer 1 interrupt routine.							
TR1	Timer 1 Run control bit. Set/Cleared by software to turn Timer/Counter on/off.							
TF0	Timer 0 overflow flag. Set by hardware on Timer/Counter overflow. Cleared by hardware when processor vectors to timer 0 interrupt routine.							
TR0	Timer 0 Run control bit. Set/Cleared by software to turn Timer/Counter on/off.							
IE1	Interrupt 1 Edge flag. Set by hardware when external interrupt edge is detected. Cleared when interrupt is processed.							
IT1	Interrupt 1 Type control bit. Set/ Cleared by software to specify falling edge/low level triggered external interrupt.							
IE0	Interrupt 0 Edge flag. Set by hardware when external interrupt edge id detected. Cleared when interrupt is processed.							
IT0	Interrupt 0 Type control bit. Set/Cleared by software to specify falling edge /low level triggered external interrupt.							

### TCON: Timer/Counter Control Register.

The “Timer” or “Counter” function is selected by the “ $C/\bar{T}$ ” bit in the TMOD Special Function Register. Each Timer/Counter has one selection bit for its own; bit 2 of TMOD selects the function for Timer/Counter 0 and bit 6 of TMOD selects the function for Timer/Counter 1. In addition each Timer/Counter can be set to operate in any one of four possible modes. The mode selection is done by bits M0 and M1 in the TMOD SFR. Modes 0, 1 and 2 are identical for both the Timer/Counters, but Mode 3 is different. The four modes of operation are described below.

#### MODE 0

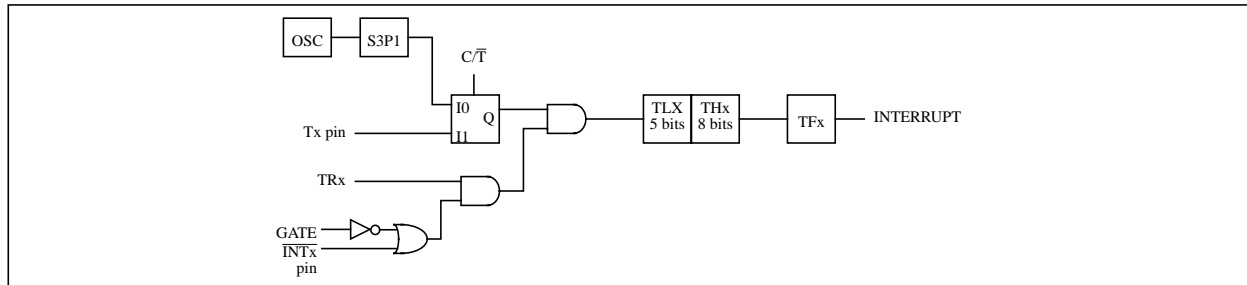
In Mode 0, the timer/counters act as a 8 bit counter with a 5 bit, divide by 32 prescaler. In this mode we have a 13 bit timer/counter. The 13 bit counter consists of 8 bits of THx and 5 lower bits of TLx. The upper 3 bits of TLx are ignored.

The negative edge of the clock increments the count in the TLx register. When the fifth bit in TLx moves from 1 to 0, then the count in the THx register is incremented. When the count in THx moves from FFh to 00h, then the overflow flag TFX in TCON SFR is set.

The counted input is enabled only if TRx is set and either GATE = 0 or  $\overline{INTx} = 1$ .

# KS152JB Universal Communications Controller

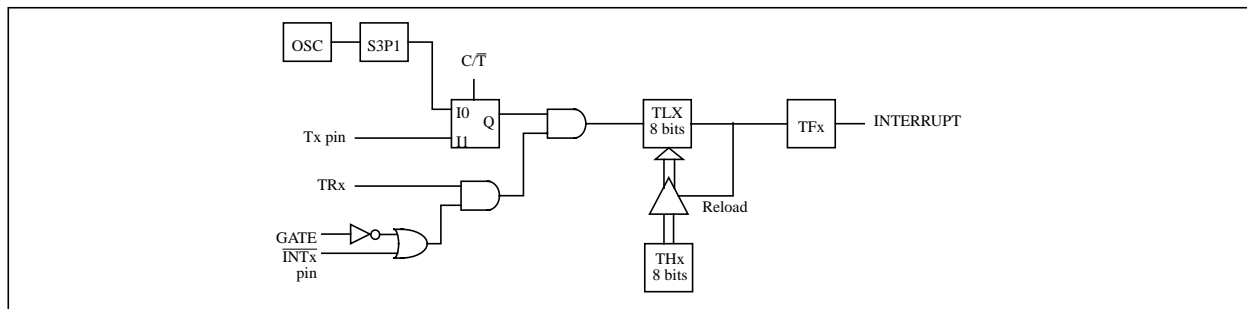
## Technical Specifications



**Timer/Counter in Mode 0**

### MODE 1

Mode 1 is similar to Mode 0 except that the counting register form a 16 bit counter, rather than a 13 bit counter. This means that all the bits of THx and TLx are used.



**Timer/Counter in Mode 2**

### MODE 2

In Mode 2, the timer/counter is in the Auto Reload Mode. In this mode, TLx acts as a 8 bit count register, while THx holds the reload value. When the TLx register overflows from FFh to 00h, the TFX bit in TCON is set and TLx is reloaded with the contents of THx and the counting process continues from here. The reload operation leaves the contents of the THx register unchanged

### MODE 3

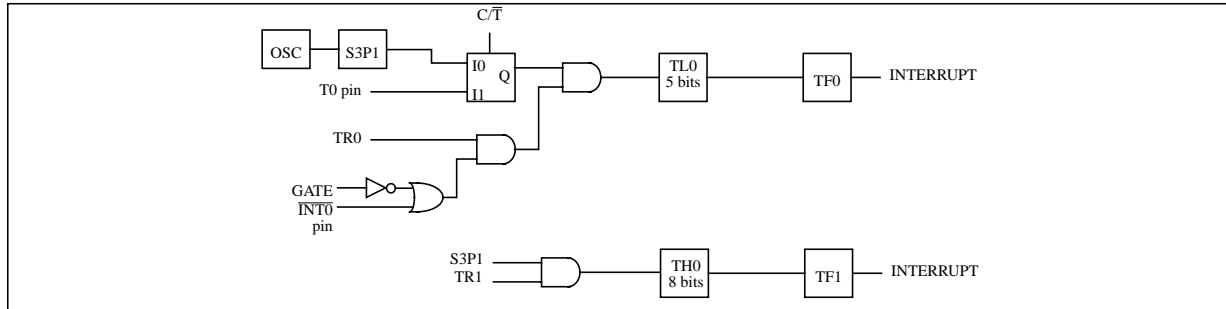
Mode 3 has different operating methods for the two timer/counters. For timer/counter TM1, mode 3 simply freezes the counter. This is the same as setting TR1 to 0.

Timer/Counter TM0 however configures TL0 and TH0 as two separate 8 bit count registers in this mode. The logic for this mode is shown in the figure. TL0 uses the Timer/Counter TM0 control bits C/T, GATE, TR0, INT0 and TF0. TH0 is forced as a machine cycle counter and takes over the use of TR1 and TF1 from Timer/Counter TM1.

# KS152JB Universal Communications Controller

## Technical Specifications

Mode 3 is used in cases where an extra 8 bit timer is needed. With Timer 0 in Mode 3, Timer 1 can be turned on and off by switching it out of and into its own Mode 3. It can also be used as a baud rate generator for the serial port.



**Timer/Counter 0 in Mode 3**

## 2.8 Interrupts

The cpu has a provision for 11 different interrupt sources. These are the two external interrupts, the three timer interrupts, the local serial port interrupt, dma interrupt and global serial port interrupts.

	7	6	5	4	3	2	1	0
	EA	--	--	ES	ET1	EX1	ET0	EX0
EA	Global Disable bit. If this bit is cleared it disables all the interrupts at once. If EA is 1 then interrupts can be individually enabled/disabled by setting or clearing its own enable bit.							
--	reserved.							
ES	Local Serial port interrupt enable.							
ET1	Timer 1 interrupt enable.							
EX1	External interrupt 1 enable.							
ET0	Timer 0 interrupt enable.							
EX0	External interrupt 0 enable							

### IE: Interrupt Enable Register.

The External Interrupts  $\overline{INT0}$  and  $\overline{INT1}$  can be either edge triggered or level triggered, depending on bits IT0 and IT1. The bits IE0 and IE1 in the TCON register are the flags which are checked to generate the interrupt. When an interrupt is generated by these external interrupt inputs, they will be cleared on entering the Interrupt Service routine, only if the interrupt type is edge triggered. In

# KS152JB Universal Communications Controller

## Technical Specifications

---

case of level triggered interrupt, the IE0 and IE1 flags are not cleared and will have to be cleared by the software. This is because in the level activated mode, it is the external requesting source that controls the interrupt flag bit rather than the on-chip hardware.

The Timer 0 and 1 Interrupts are generated by the TF0 and TF1 flags. These flags are set by the overflow in the Timer 0 and Timer 1. The TF0 and TF1 flags are automatically cleared by the hardware when the timer interrupt is serviced.

The Timer 0 and 1 flags are set in S5P2 of the machine cycle in which the overflow occurs. The values are polled in the next cycle.

The Local Serial block can generate interrupts on reception or transmission. There is however only one interrupt source from the Local Serial block, which is obtained by oring the RI and TI bits in the SCON SFR. These bits are not automatically cleared by the hardware and the user will have to clear these bits using software.

All the bits that generate interrupts can be set or reset by hardware and thereby software initiated interrupts can be generated. Each of the individual interrupts can be enabled or disabled by setting or clearing a bit in the IE SFR. IE also has a global enable/disable bit EA, which can be cleared to disable all the interrupts at once.

### Priority Level Structure

There are two priority levels for the interrupts. Each interrupt source can be individually set to either one of the two levels. Naturally, a higher priority interrupt cannot be interrupted by a lower priority interrupt. However there exists a predefined hierarchy amongst the interrupts themselves. This hierarchy comes into play when the interrupt controller has to resolve simultaneous requests having the same priority level. This hierarchy is defined as shown below, the interrupts are numbered starting from the highest priority to the lowest.

7	6	5	4	3	2	1	0
--	--	--	PS	PT1	PX1	PT0	PX0

-- reserved.

PS Local Serial port interrupt priority bit.

PT1 Timer 1 interrupt priority bit.

PX1 External interrupt 1 priority bit.

PT0 Timer 0 interrupt priority bit.

PX0 External interrupt 0 priority bit

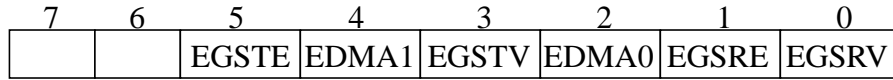
### IE: Interrupt Enable Register.



# KS152JB Universal Communications Controller

## Technical Specifications

---



IEN1 (Additional interrupt enable register) (0C8H)

Interrupt enable register for DMA and GSC interrupts. A 1 in any bit position enables that interrupt.

IEN1.0 (EGSRV) - Enables the GSC valid receive interrupt.

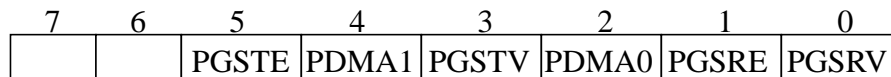
IEN1.1 (EGSRE) - Enables the GSC receive error interrupt.

IEN1.2 (EDMA0) - Enables the DMA done interrupt for channel 0.

IEN1.3 (EGSTV) - Enables the GSC valid transmit interrupt.

IEN1.4 (EDMA1) - Enables the DMA done interrupt for Channel1.

IEN1.5 (EGSTE) - Enables the GSC transmit error interrupt.



IPN1 (Additional interrupt priority register) (0F8H)

Allows the user software two levels of prioritization to be assigned to each of the interrupts in IEN1. A 1 assigns the corresponding interrupt in IEN1 a higher interrupt than an interrupt with a corresponding 0.

IPN1.0 (PGSRV) - Assigns the priority of GSC receive valid interrupt.

IPN1.1 (PGSRE) - Assigns the priority of GSC error receive interrupt.

IPN1.2 (PDMA0) - Assigns the priority of DMA done interrupt for Channel 0.

IPN1.3 (PGSTV) - Assigns the priority of GSC transmit valid interrupt.

IPN1.4 (PDMA1) - Assigns the priority of DMA done interrupt for Channel 1.

IPN1.5 (PGSTE) - Assigns the priority of GSC transmit error interrupt.

# KS152JB Universal Communications Controller

## Technical Specifications

---

The interrupt flags are sampled in S5P2 of every machine cycle. In the next machine cycle, the sampled interrupts are polled and their priority is resolved. If certain conditions are met then the hardware will execute an internally generated LCALL instruction which will vector the process to the appropriate interrupt vector address. The conditions for generating the LCALL are

1. An interrupt of equal or higher priority is not currently being serviced.
2. The current polling cycle is the last machine cycle of the instruction currently being executed.
3. The current instruction does not involve a write to IP or IE registers and is not a RETI.

If any of these conditions are not met, then the LCALL will not be generated. The polling cycle is repeated every machine cycle, with the interrupts sampled at S5P2 in the previous machine cycle. If an interrupt flag is active in one cycle but not responded to, and is not active when the above conditions are met, the denied interrupt will not be serviced. This means that active interrupts are not remembered, every polling cycle is new.

The processor responds to a valid interrupts by executing an LCALL instruction to the appropriate service routine. This may or may not clear the flag which caused the interrupt. In case of Timer interrupts, the TF0 or TF1 flags, are cleared by hardware whenever the processor vectors to the appropriate timer service routine. In case of External interrupt, INT0 and INT1, the flags are cleared only if they are edge triggered. In case of Local Serial interrupts, the flags are not cleared by hardware. The hardware LCALL behaves exactly like the software LCALL instruction. This instruction saves the Program Counter contents onto the Stack, but does not save the Program Status Word PSW. The PC is reloaded with the vector address of that interrupt which caused the LCALL. These vector address for the different sources are as follows

**Table 5:**

Priority sequence	Priority address	Priority name	Interrupt Symbolic name	Interrupt Symbolic Name	Vector Address
1	IP.0	PX0	IE.0	EX0	03H
2	IPN1.0	PGSRV	IEN1.0	EGSRV	2BH
3	IP.1	PT0	IE.1	ET0	0BH
4	IPN1.1	PGSRE	IEN1.1	EGSRE	33H
5	IPN1.2	PDMA0	IEN1.2	EDMA0	3BH
6	IP.2	PX1	IE.2	EX1	13H
7	IPN1.3	PGSTV	IEN1.3	EGSTV	43H

# KS152JB Universal Communications Controller

## Technical Specifications

---

Table 5:

Priority sequence	Priority address	Priority name	Interrupt Symbolic name	Interrupt Symbolic Name	Vector Address
8	IPN1.4	PDMA1	IEN1.4	EDMA1	53H
9	IP.3	PT1	1E.3	ET1	1BH
10	IPN1.5	PGSTE	IEN1.5	EGSTE	4BH
11	IP.4	PS	IE.4	ES	23H

Execution continues from the vectored address till an RETI instruction is executed. On execution of the RETI instruction the processor pops the Stack and loads the PC with the contents at the top of the stack. The user must take care that the status of the stack is restored to what it was after the hardware LCALL, if the execution is to return to the interrupted program. The processor does not notice anything if the stack contents are modified and will proceed with execution from the address put back into PC. Note that a RET instruction would do exactly the same process as a RETI instruction, but it would not inform the Interrupt Controller, that the interrupt service routine is completed, and would leave the controller still thinking that the service routine is under progress.

### External Interrupts

There are two external interrupt sources in this processor,  $\overline{\text{INT0}}$  and  $\overline{\text{INT1}}$ . These interrupts can be programmed to be edge triggered or level activated, by setting bits IT0 and IT1 in TCON SFR. In the edge triggered mode, the INTx inputs are sampled at S5P2 in every machine cycle. If the sample is high in one cycle and low in the next, then a high to low transition is detected and the interrupts request flag IEx in TCON is set. The flag bit requests the interrupt. Since the external interrupts are sampled every machine cycle, they have to be held high or low for at least one complete machine cycle. The IEx flag is automatically cleared when the service routine is called.

If the level activated mode is selected, then the requesting source has to hold the pin low till the interrupt is serviced. The IEx flag will not be cleared by the hardware on entering the service routine. If the interrupt continues to be held low even after the service routine is completed, then the processor may acknowledge another interrupt request from the same source.

### Response Time

The response time for each interrupt source depends on several factors like nature of the interrupt and the instruction under progress. In the case of external interrupt INT0 and INT1, they are sampled at S5P2 of every machine cycle and then their corresponding interrupt flags IE0 and IE1 will be set or reset. Similarly, the Local Serial port flags RI and TI are set in S5P2. The Timer 0 and 1 overflow flags are set during S3 of the machine cycle in which overflow has occurred. These flag

# KS152JB Universal Communications Controller

## Technical Specifications

---

values are polled only in the next machine cycle. If a request is active and all three conditions are met, then the hardware generated LCALL is executed. This call itself takes two machine cycles to be completed. Thus there is a minimum time of three machine cycles between the interrupt flag being set and the interrupt service routine being executed.

A longer response time should be anticipated if any of the three conditions are not met. If a higher or equal priority is being serviced, then the interrupt latency time obviously depends on the nature of the service routine currently being executed. If the polling cycle is not the last machine cycle of the instruction being executed, then an additional delay is introduced. This is maximum in the case of MUL and DIV instructions which are four machine cycles long. In case of a RETI or a write to IP or IE registers the delay can be at most 5 machine cycles. This is because at most one cycle is needed to complete the current instruction and at most 4 machine cycles to execute the next instruction, which may be a MUL or DIV instruction.

Thus in a single-interrupt system the interrupt response time will always be more than 3 machine cycles and not more than 8 machine cycles.

# KS152JB Universal Communications Controller

## Technical Specifications

---

### 2.9 Power Down and Idle

The processor has two Power Reduction modes, Idle and Power Down. Backup power is supplied through the VCC pin in these operations. The processor can be put into the Idle or the Power down mode by setting bits 0 or bit 1 respectively in the PCON SFR.

Any instruction sets the PD bit in PCON SFR, causes that instruction to be the last instruction executed by the processor before going into the Power Down mode. In the Power Down mode, the clock to the CPU and the peripheral blocks like Interrupt Controller, Serial Port, dma and Timer/Counters is stopped. This causes the complete processor to stop its current activities. The status of all the registers in the CPU, the ALU, the Program Counter, the Stack Pointer, the Program status Word and the Accumulator are held at their current states. The port pins hold the value they had at the time Idle was activated. ALE and  $\overline{\text{PSEN}}$  are both held at logic low levels.

There are two ways to exit from the Power Down mode. One is a hardware reset. reset and the other an external interrupt. The hardware reset redefines all the SFRs but the on-chip RAM is unaffected.

With an external interrupt,  $\overline{\text{INT0}}$  or  $\overline{\text{INT1}}$  must be enabled and configures as level triggered interrupts before entering the power down mode. Holding the pin low ends the power down mode condition and bringing the pin high completes the exit. After the interrupt service routine is executed the program will return to the next instruction following the one that put the device into Power Down Mode.

**Table 6: Status of the External Pins during Idle and Power Down**

Mode	Program Memory	ALE	$\overline{\text{PSEN}}$	Port 0	Port 1	Port 2	Port 3,4.
Idle	Internal	1	1	Data	Data	Data	Data
Idle	External	1	1	Float	Data	Address	Data
Power Down	Internal	0	0	Data	Data	Data	Data
Power Down	External	0	0	Float	Data	Data	Data

Any instruction which sets the IDL bit in PCON SFR, causes that instruction to be the last instruction executed by the processor before going into the idle mode. In the Idle mode, the clock to the CPU is shut off while the peripheral blocks like Interrupt Controller, Serial Ports, dma and Timer/Counters continue to receive the clock. This causes the CPU to stop its current activities. The status of all the registers in the CPU, the ALU, the Program Counter, the Stack Pointer, the Program status Word and the Accumulator are held at their current states. The port pins hold the value they had at the time Idle was activated. ALE and  $\overline{\text{PSEN}}$  are both held at logic high levels.

# KS152JB Universal Communications Controller

## Technical Specifications

---

	7	6	5	4	3	2	1	0
	SMOD	--	--	--	--	--	PD	IDL
SMOD	Double Baud Rate bit. When cleared, the baud rate is halved, by dividing the serial clock by 2.							
--	Described later.							
PD	Power Down bit. Setting this bit activates this mode.							
IDL	Idle Mode bit. Setting this bit activates this mode.							

### PCON: Power Control Register.

There are two ways to terminate the Idle mode. One way is to reset the processor and the other is by activation of any enabled interrupt. On receiving an interrupt, the processor will vector to the interrupt service routine and will start execution from here. After completion of the service routine, following the execution of RETI, the execution will continue from the instruction following the one which put the processor into the Idle mode.

The signal at the RST pin is used to clear the IDL bit. The RST pin has to be held low for at least 24 clock periods to generate an internal reset. The clearing of IDL bit is done synchronously, so that the CPU will restart from the same state phase condition that it went into Idle. This ensures smooth transition from Idle mode to normal operation. Now the reset logic takes 19 clock periods to activate the internal reset from the time where RST was sampled low. For this time the processor will continue operations carrying on from the next instruction which put the processor in the Idle mode. On-chip hardware prevents any writes to RAM during this period. but accesses to ports is not inhibited. To prevent unexpected outputs at the port pins, the instruction after the one which causes the Idle mode should not be an access to the ports or External RAM.

The GSC continues to operate in Idle as long as the interrupts are enabled. The interrupts need to be enabled, so that the CPU can service the FIFO's. In order to properly terminate a reception or transmission the C152 must not be in idle when the EOF is transmitted or received. After servicing the GSC, user software will need to again invoke the Idle command as the CPU does not automatically re-enter the Idle mode after servicing the interrupts.

The GSC does not operate while in Power Down so the steps required prior to entering Power Down become more complicated. The sequence when entering Power Down and the status of the I/O is of major importance in preventing damage to the C152 or other components in the system. since the only way to exit Power Down is with a Reset, several problems that merit careful consideration are cases where the Power Down occurs during the middle of a transmission, and the possibility that other stations are not or cannot enter this same mode. The state of the GSC I/O pins becomes critical and the GSC status will need to be saved before power down is entered. There will also need to be some method of identifying to the CPU that the following Reset is probably not a cold start and that other stations on the link may have already been initialized.

# KS152JB Universal Communications Controller

## Technical Specifications

---

The DMA circuitry stops operation in both Idle and power Down modes. Since operation is stopped in both modes, the process should be similar in each case. Specific steps that need to be taken include: notification to other devices that DMA operation is about to cease for a particular station or network, proper withdrawal from DMA operation, and saving the status of the DMA channels. Again, the status of the I/O pins during Power Down needs careful consideration to avoid damage to the C152 or other components.

Port 4 returns to its input state, which is high level using weak pullup devices.

### 2.10 Local Serial Channel

Local Serial port is a full duplex port. This means that it can simultaneously transmit and receive data. In addition, the receive register is double buffered. This allows reception of the second data byte before the first byte is read from the receive register. The transmit register and the receive buffer are both addressed as SBUF Special Function Register. However any write to SBUF will be to the transmit register, while a read from SBUF will be from the receive buffer register.

The serial port can operate in four different modes.

#### MODE 0

This mode provides the synchronous communication with external devices. In mode 0, serial data is transmitted and received on the RXD line. TXD is used to transmit the shift clock. This mode is therefore a half duplex mode of serial communication. 8 bits are transmitted or received per frame. The LSB is transmitted/received first. The baud rate is fixed at 1/12 of the oscillator frequency.

Mode 0 is used to transmit data synchronously, in a half duplex format. The functional block diagram is shown below. Data enters and leaves the Serial port on the RxD line. The TxD line is used to output the shift clock. The shift clock is used to shift data into and out of the TBO and the device at the other end of the line.

Any instruction that causes a write to SBUF will start the transmission. The shift clock will get activated and data will be shifted out on RxD pin til all 8 bits are transmitted. The clock on TxD then remains low for 6 clock periods and then goes high again. This ensures that at the receiving end the data on RxD line can be clocked in either on the rising edge of the shift clock on TxD or latched when the TxD clock is low. The TI flag is set high in S1 following the end of transmission of the last bit.

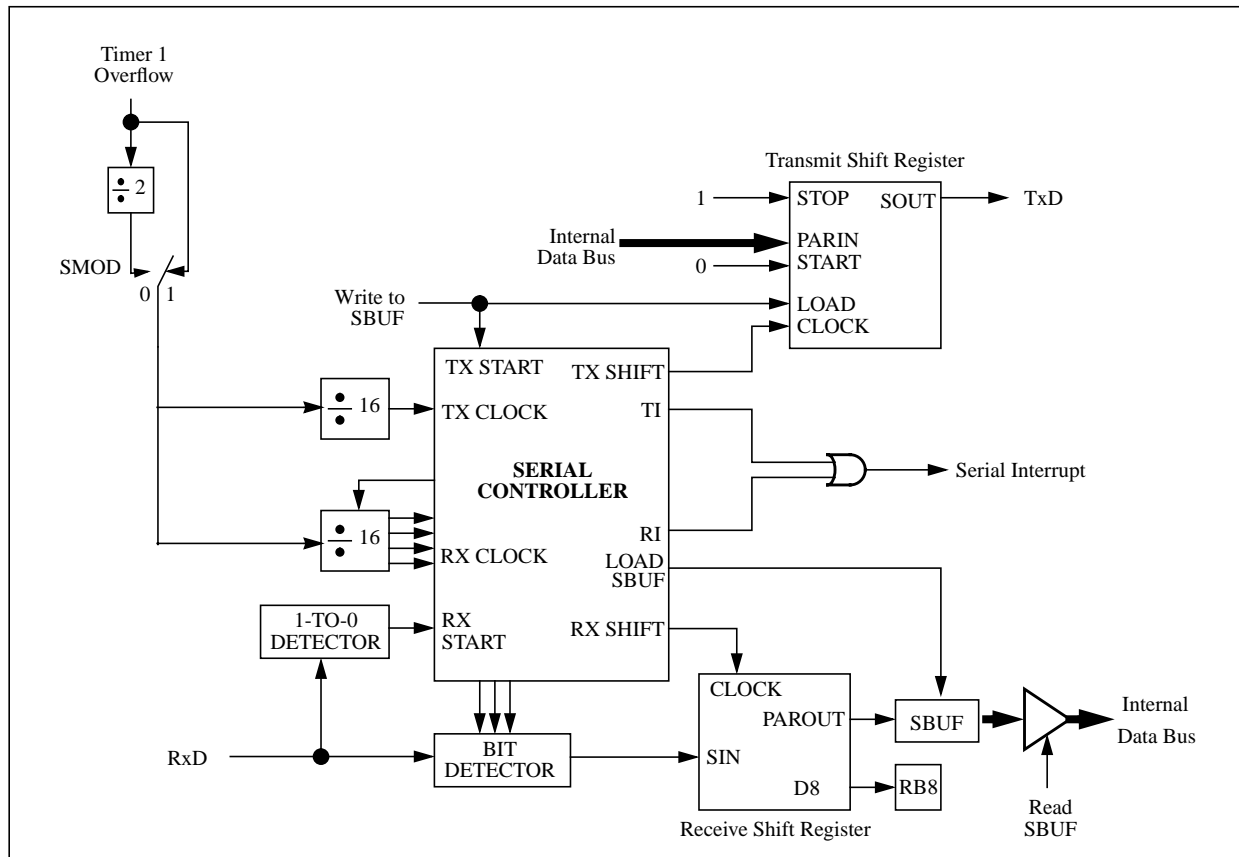
The Serial port will receive data when REN is 1 and RI is zero. The shift clock (TxD) will be activated and the serial port will latch data sampled at S5P2 at the rising edge of shift clock. The external device should therefore present data on the falling edge on the shift clock. This process continues till all the 8 bits have been received. The RI flag is set in S1 following the last rising edge of the shift clock on TxD. This will stop reception, till the RI is cleared by software.





# KS152JB Universal Communications Controller

## Technical Specifications



**Serial Port Mode 1**

Reception is enabled only if REN is high. The serial port actually starts the receiving of serial data, with the detection of a falling edge on the RxD pin. The 1-to-0 detector continuously monitors the RxD line sampling it at the rate of 16 times the selected baud rate. When a falling edge is detected, the divide by 16 counter is immediately reset. This helps to align the bit boundaries with the rollovers of the divide by 16 counter.

The 16 states of the counter effectively divide the bit time into 16 slices. The bit detection is done on a best of three basis. The bit detector samples the RxD pin, at the 8th, 9th and 10th counter states. By using a majority 2 of 3 voting system, the bit value is selected. This is done to improve the noise rejection feature of the serial port. If the first bit detected after the falling edge of RxD pin, is not 0, then it indicates an invalid start bit, and the reception is immediately aborted. the serial port again looks for a falling edge in the RxD line. If a valid start bit is detected, then the rest of the bits are also detected and shifted into the SBUF.

After shifting in 8 data bits, there is one more shift to do, after which the SBUF and RB8 are loaded and RI is set. However certain conditions must be met before, The loading and setting of RI can be done.

1. RI must be 0 and
2. Either SM2 = 0, or the received stop bit = 1.

# KS152JB Universal Communications Controller

## Technical Specifications

---

If these conditions are met, then the stop bit goes to RB8, the 8 data bits go into SBUF and RI is set. Else the received frame may be lost. After the middle of the stop bit, the receiver goes back to looking for a 1-to-0 transition on the RxD pin.

### MODE 2

In this mode, 11 bits are transmitted on TXD and received on RXD. The 11 bits consist of a start bit (0), 8 data bits (LSB first), a programmable 9th data bit (TB8 in SCON) and a stop bit (1). The 9th bit can be assigned 1 or 0 by writing to bit 3 of SCON. On transmission, this bit will be inserted into the data stream. On reception the received 9th bit goes into RB8 in SCON. The stop bit is ignored. The baud rate is programmable to 1/32 or 1/64 of the oscillator frequency.

Transmission begins with a write to SBUF. The serial data is brought out on to TxD pin following the first roll-over of divide by 16 counter. The next bit is placed on TxD pin following the next rollover of the divide by 16 counter. Thus the transmission is synchronized to the divide by 16 counter and not directly to the write to SBUF signal. After all 8 bits of data are transmitted, the stop bit is transmitted. The TI flag is set in the S1 state after the stop bit has been put out on TxD pin. This will be at the 11th rollover of the divide by 16 counter after a write to SBUF.

Reception is enabled only if REN is high. The local serial port actually starts the receiving of local serial data, with the detection of a falling edge on the RxD pin. The 1-to-0 detector continuously monitors the RxD line sampling it at the rate of 16 times the selected baud rate. When a falling edge is detected, the divide by 16 counter is immediately reset. This helps to align the bit boundaries with the rollovers of the divide by 16 counter.

The 16 states of the counter effectively divide the bit time into 16 slices. The bit detection is done on a best of three basis. The bit detector samples the RxD pin, at the 8th, 9th and 10th counter states. By using a majority 2 of 3 voting system, the bit value is selected. This is done to improve the noise rejection feature of the local serial port. If the first bit detected after the falling edge of RxD pin, is not 0, then it indicates an invalid start bit, and the reception is immediately aborted. the local serial port again looks for a falling edge in the RxD line. If a valid start bit is detected, then the rest of the bits are also detected and shifted into the SBUF.

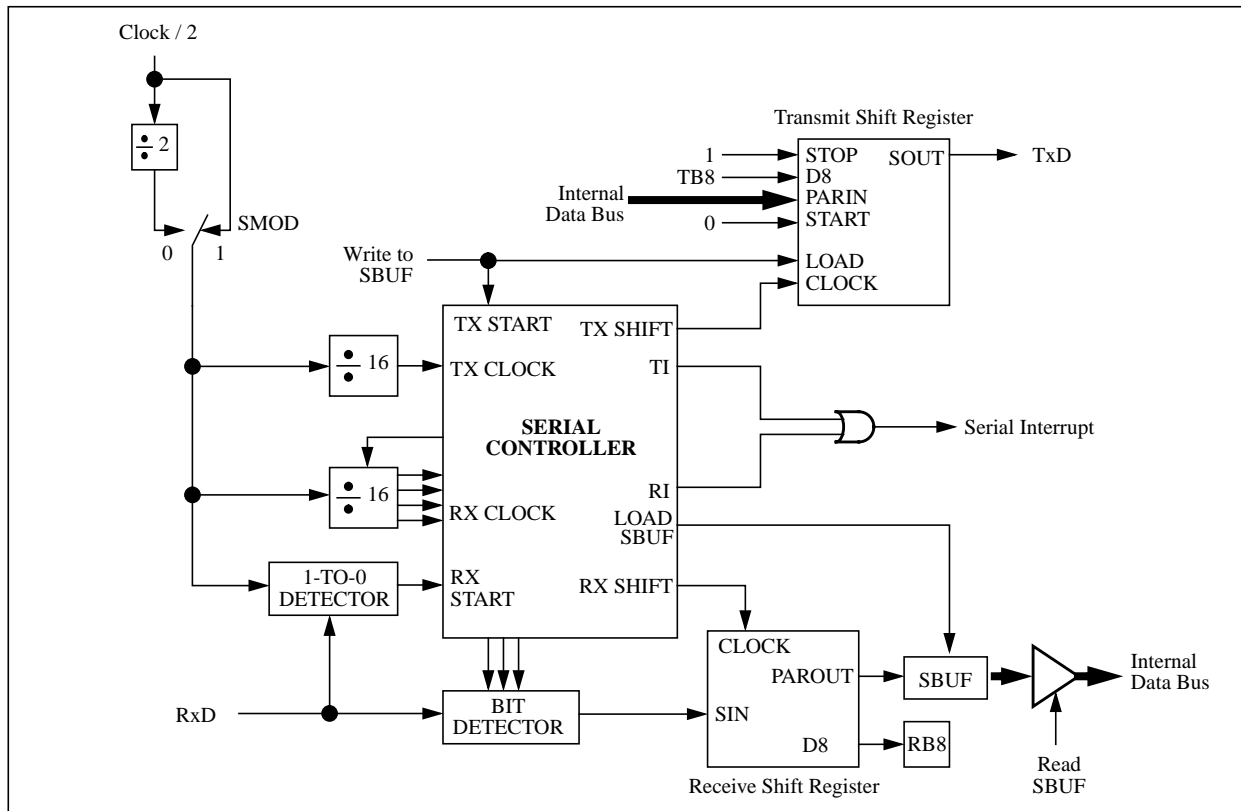
After shifting in 8 data bits, there is one more shift to do, after which the SBUF and RB8 are loaded and RI is set. However certain conditions must be met before, The loading and setting of RI can be done.

1. RI must be 0 and
2. Either SM2 = 0, or the received stop bit = 1.

If these conditions are met, then the stop bit goes to RB8, the 8 data bits go into SBUF and RI is set. Else the received frame may be lost. After the middle of the stop bit, the receiver goes back to looking for a 1-to-0 transition on the RxD pin.

# KS152JB Universal Communications Controller

## Technical Specifications



**Local Serial Port Mode 2**

### MODE 3

This mode is similar to Mode 2 in all respects, except that the baud rate is programmable.

In all four modes, transmission is started by any instruction that uses SBUF as a destination register. Reception is initiated in Mode 0 by the condition  $RI = 0$  and  $REN = 1$ . Reception is initiated in the other modes by the incoming start bit if  $REN = 1$ .



# KS152JB Universal Communications Controller

## Technical Specifications

---

in auto-reload mode. In such a case the baud rate is given by

$$\text{Mode 1,3 baud rate} = 2^{(\text{SMOD} - 5)} \times \text{Oscillator Frequency} / (12 \times [256 - \text{TH1}])$$

It is also possible to achieve very low baud rates by putting Timer 1 in Mode1 as a 16 bit timer and enabling its interrupt. The Timer interrupt is used to reload the Timer 1 with a 16 bit value using software methods. A list of commonly used baud rates and how they can be achieved is shown in table 4

**Table 7: Timer 1 generated commonly used Baud rates**

Baud Rate	fosc	SMOD	C/T	Mode	Reload Value
Mode 0 Max 1 MHZ	12 MHZ	X	X	X	X
Mode 2 Max 375K	12 MHZ	1	X	X	X
Modes 1,3 62.5K	12 MHZ	1	0	2	FFh
19.2 K	11.059 MHZ	1	0	2	FDh
9.6 K	11.059 MHZ	0	0	2	FDh
4.8 K	11.059 MHZ	0	0	2	FAh
2.4 K	11.059 MHZ	0	0	2	F4h
1.2 K	11.059 MHZ	0	0	2	E8h
137.5	11.059 MHZ	0	0	2	1Dh
110	6 MHZ	0	0	2	72h
110	12 MHZ	0	0	2	FEEBh

# KS152JB Universal Communications Controller

## Technical Specifications

---

### 2.11 SINGLE-STEP OPERATION

The processor does not have any pin which can directly force it to operate in the single-step mode. However the user can use the interrupt structure to obtain single-step operation. The user will be aware that the processor executes one more instruction after a RETI instruction and only then does it respond to an interrupt request. Thus once an interrupt routine has begun, it cannot enter another routine unless one instruction of the interrupted program has been executed. The external interrupts can be used to good effect to achieve this. One of the interrupts, say  $\overline{\text{INT0}}$  is programmed to be level activated interrupt. Now when the processor detects a low on this pin, it will vector to the interrupt service routine. The interrupt service routine will have a simple loop which will wait till the  $\overline{\text{INT0}}$  pin is pulsed, high to low. The processor will now return to the interrupted program and execute at least one instruction. If the  $\overline{\text{INT0}}$  pin is held low, then another interrupt request is generated and the interrupt service routine is again executed.

```
JNB  P3.2, $    ; wait here till  $\overline{\text{INT0}}$  goes high
JB   P3.2, $    ; wait here till  $\overline{\text{INT0}}$  goes low
RETI                          ; return to the interrupted program and execute at least one more
                                ; instruction
```

In this way a single instruction of the main program will be executed every time  $\overline{\text{INT0}}$  is pulsed.

Table 8: Instruction Table

lsn msn	0	1	2	3	4	5	6-7	8-F
0	nop	ajmp	ljmp	rr a	inc a	inc d	inc @	inc rn
1	jbc	acall	lcall	rrc a	dec a	dec d	dec @	dec rn
2	jb	ajmp	ret	rl a	add a, #	add a, d	add a, @	add a, rn
3	jnb	acall	reti	rlc a	addc a, #	addc a, d	addc a, @	addc a, rn
4	jc	ajmp	orl d, a	orl d, #	orl a, #	orl a, d	orl a, @	orl a, rn
5	jnc	acall	anl d, a	anl d, #	anl a, #	anl a, d	anl a, @	anl a, rn
6	jz	ajmp	xrl d, a	xrl d, #	xrl a, #	xrl a, d	xrl a, @	xrl a, rn
7	jnz	acall	orl c, bit	jmp @a+dptr	mov a, #	mov d, #	mov @, #	mov rn, #
8	sjmp	ajmp	anl c, bit	movc a, @a+pc	div ab	mov d, d	mov d, @	mov d, rn
9	mov dptr, #	acall	mov bit, c	movc a, @a+dptr	subb a, #	subb a, d	subb a, @	subb a, rn
A	orl c, /bit	ajmp	mov c, bit	inc dptr	mul ab	dec dptr	mov @, d	mov rn, d
B	anl c, /bit	acall	cp bit	cpl c	cjne a, #, rel	cjne a, d, rel	cjne @, #, rel	cjne rn, #, rel
C	push	ajmp	clr bit	clr c	swap a	xch a, d	xch a, @	xch a, rn
D	pop	acall	setb bit	setb c	da a	djnz d, rel	xchd a, @	djnz rn, rel
E	movx a, @dptr	ajmp	movx a, @r0	movx a, @r1	clr a	mov a, d	mov a, @	mov a, rn
F	movx @dptr, a	acall	movx @r0, a	movx @r1, a	cpl a	mov d, a	mov @, a	mov rn, a

# KS152JB Universal Communications Controller

## Technical Specifications

---

### 3.0 GLOBAL SERIAL CHANNEL

#### 3.1 Introduction

The Global Serial Channel (GSC) is a multi-protocol, high performance serial interface targeted for data rates up to 2 MBPS with on-chip clock recovery, and 2.4 MBPS using the external clock options. In applications using the serial channel, the GSC implements the Data Link Layer and Physical Link Layer as described in the ISO reference model for open systems interconnection.

The GSC is designed to meet the requirements of a wide range of serial communications applications and is optimized to implement Carrier-Sense Multi-Access with Collision Detection (CSMA/CD) and Synchronous Data Link Control (SDLC) protocols. The GSC architecture is also designed to provide flexibility in defining non-standard protocols. This provides the ability to retrofit new products into older serial technologies, as well as the development of proprietary interconnect schemes for serial backplane environments.

The versatility of the **GSC** is demonstrated by the wide range of choices available to the user. The various modes of operation are summarized in Table 3.1. In subsequent sections, each available choice of operation will be explained in detail.

In using Table 3.1, the parameters listed vertically (on the left hand side) represent an option that is selected (X). The parameters listed horizontally (along the top of the table) are all the parameters that could theoretically be selected (Y). The Symbol at the junction of both X and Y determines the applicability of the option Y.

Note, that not all combinations are backwards compatible. For example, Manchester encoding requires half duplex, but half duplex does not require Manchester encoding.



# KS152JB Universal Communications Controller

## Technical Specifications

**Table 9:**

	Data			Flags		CRC			Duplex		Ack			Addr recognition		
	m a n c h e c s t e r	nr z	nr zi	0 1 1 1 1 1 0	1 1/ idle	n o n e	1 6- bit c c i t	3 2 bit a u t o	h a l f d u p l e x	fu ll d u p l e x	n o n e	h a r d w a r e	u s e r d e f	n o n e/ a l l	8 bit	1 6 bit
Manchester (csma/cd) NRZI (sdlc) NRZ (ext clock)	X	N	N	1	P	1	O	O	M	N	O	O	O	O	O	O
	N	X	N	P	1	1	O	O	O	O	O	N	P	O	O	O
	N	N	X	O	O	1	O	O	O	O	O	N	O	O	O	O
Flags:01111110(sdlc) 11/IDLE	N	P	O	X	1	1	O	O	O	O	O	N	P	O	O	O
	P	N	O	1	X	1	O	O	O	N	O	O	O	O	O	O
CRC: NONE 16-bit CCITT 32-bitAUTODIN II	1	1	1	1	1	X	N	N	1	N	1	1	1	1	1	1
	O	O	O	O	O	N	X	N	O	O	O	O	O	O	O	O
	O	O	O	O	O	N	N	X	O	N	O	O	O	O	O	O
Half Duplex Full Duplex	O	O	O	O	O	1	O	O	X	N	O	O	O	O	O	O
	N	O	O	M	N	N	M	N	N	X	O	N	P	O	O	O
Acknowledge: None Hardware User defined.	O	O	O	O	O	1	O	O	O	O	X	N	N	O	O	O
	O	N	N	N	O	1	O	O	O	N	N	X	N	O	O	O
	O	P	O	O	O	1	O	O	O	P	N	N	X	O	O	O
Address recog: none 8-bit 16 bit	O	O	O	O	O	1	O	O	O	O	O	O	O	X	N	N
	O	O	O	O	O	1	O	O	O	O	O	O	O	N	X	N
	O	O	O	O	O	1	O	O	O	O	O	O	O	N	N	X
Coll resol: Normal Alternate Deterministic	O	N	O	N	O	N	O	O	M	N	O	N	O	O	O	O
	O	N	O	N	O	N	O	O	M	N	O	O	O	O	O	O
	O	N	O	N	O	N	O	O	M	N	O	O	O	O	O	O
Preamble: None 8-bit 32-bit 64-bit	N	O	O	O	1	1	O	O	O	O	O	N	O	O	O	O
	O	O	O	O	O	1	O	O	O	O	O	O	O	O	O	O
	O	O	O	O	O	1	O	O	O	O	O	O	O	O	O	O
	O	O	O	O	O	1	O	O	O	O	O	O	O	O	O	O
DC JAM CRC JAM	M	N	N	N	O	N	O	O	M	N	O	O	O	O	O	O
	M	N	N	N	O	N	O	O	M	N	O	O	O	O	O	O

# KS152JB Universal Communications Controller

## Technical Specifications

**Table 9:**

	Data			Flags		CRC			Duplex		Ack			Addr recognition		
	m a n c h e c s t e r	nr z	nr zi	0 1 1 1 1 1 0	1 1/ idle	n o n e	1 6- bit cc it	3 2 bit ta ut o	h a l f d u p l e x	fu ll d u p l e x	n o n e	h a r d w a r e	u s e r d e f	n o n e/ a l l	8 bit	1 6 bit
External clock	N	M	N	O	O	N	O	O	O	O	O	N	O	O	O	O
Internal clock	O	O	N	O	O	O	O	O	O	O	O	O	O	O	O	O
Control cpu	O	O	O	O	O	1	O	O	O	O	O	O	O	O	O	O
Control dma	O	O	O	O	O	1	O	O	O	O	O	O	O	O	O	O
Raw Receive	1	1	1	1	1	1	1	1	1	N	1	1	1	1	1	1
Raw Transmit	1	1	1	1	1	1	1	1	1	N	1	1	1	1	1	1
CSMA	O	N	N	1	P	1	O	O	M	N	O	O	O	O	O	O
SDLC	N	O	O	P	1	1	O	O	O	O	O	N	O	O	O	O

**Table 10:**

	backoff			preamble			Jam		Clock		contr ol		r a w t r a n s m i t	r a w r e c e i v e	c s m a / c d	s d l c	
	n o r m a l	a l t e r n a t e	d e t e r m i n i s t i c	n o n e	8 bit	3 2 bit	6 4 bit	d c	c r c / r n a l	e x t e r n a l	i n t e r n a l	c p u					d m a
Manchester (csma/cd)	O	O	O	N	O	O	O	O	N	M	O	O	O	O	M	N	
NRZI (sdlc)	N	N	N	O	O	O	O	N	N	N	M	O	O	O	N	M	
NRZ (ext clock)	O	O	O	O	O	O	O	O	O	M	N	O	O	O	O	O	
Flags:01111110(sdlc)	N	N	N	O	O	O	O	N	N	O	O	O	O	O	1	1	P
11/IDLE	O	O	O	1	O	O	O	O	O	O	O	O	O	O	1	P	1

# KS152JB Universal Communications Controller

## Technical Specifications

Table 10:

	backoff			preamble				Jam		Clock		control		raw transmit	raw receive	csma/cd	sdlc
	normal	alternate	deterministic	none	8 bit	32 bit	64 bit	dc	crc /	external	internal	cpu	dma				
N-Not available. M-Mandatory. O-Optional. P-Normally Preferred X-N/A	N	N	N	1	1	1	1	N	N	1	1	1	1	1	1	1	1
	O	O	O	O	O	O	O	O	O	O	O	O	O	1	1	O	O
	O	O	O	O	O	O	O	O	O	O	O	O	O	1	1	O	O
Half Duplex Full Duplex	O	O	O	O	O	O	O	O	O	O	O	O	O	O	O	O	O
	N	N	N	O	O	O	O	N	N	O	O	O	O	N	N	N	P
Acknowledge: None Hardware User defined.	O	O	O	O	O	O	O	O	O	O	O	O	O	O	O	O	O
	N	O	O	N	O	O	O	O	O	N	O	O	O	N	N	O	N
	O	O	O	O	O	O	O	O	O	O	O	O	O	O	O	O	1
Address recog: none 8-bit 16 bit	O	O	O	O	O	O	O	O	O	O	O	O	O	O	O	O	O
	O	O	O	O	O	O	O	O	O	O	O	O	O	1	1	O	O
	O	O	O	O	O	O	O	O	O	O	O	O	O	1	1	O	O
Coll resol: Normal Alternate Deterministic	X	N	N	N	O	O	O	O	O	N	O	O	O	O	N	M	N
	N	X	N	N	O	O	O	O	O	N	O	O	O	O	N	M	N
	N	N	X	N	O	O	O	O	O	N	O	O	O	O	N	M	N
Preamble: None 8-bit 32-bit 64-bit	N	N	N	X	N	N	N	N	N	O	O	O	O	O	N	P	
	O	O	O	N	X	N	N	O	O	O	O	O	O	1	1	O	O
	O	O	O	N	N	X	N	O	O	O	O	O	O	1	1	O	O
	O	O	O	N	N	N	X	O	O	O	O	O	O	N	N	O	O
DC JAM $\overline{\text{CRC}}$ JAM	O	O	O	N	O	O	O	X	N	N	O	O	O	O	N	M	N
	O	O	O	N	O	O	O	N	X	N	O	O	O	O	N	M	N
External clock Internal clock	N	N	N	O	O	O	O	N	N	X	N	O	O	O	O	N	O
	O	O	O	O	O	O	O	O	O	N	X	O	O	O	O	O	O

# KS152JB Universal Communications Controller

## Technical Specifications

Table 10:

	backoff			preamble			Jam		Clock		control		raw transmit	raw receive	CSMA/CD	SDLC	
	normal	alternate	deterministic	non	8 bit	32 bit	64 bit	dc	crcl	external	internal	cpu					dma
N-Not available. M-Mandatory. O-Optional. P-Normally Preferred X-N/A																	
Control cpu	O	O	O	O	O	O	O	O	O	O	O	X	N	O	O	O	O
Control dma	O	O	O	O	O	O	O	O	O	O	O	N	X	O	O	O	O
Raw Receive	O	O	O	1	1	1	1	O	O	1	1	1	1	X	N	1	1
Raw Transmit	N	N	N	1	1	1	1	N	N	1	1	1	1	N	X	1	1
CSMA	O	O	O	N	O	O	O	O	O	N	O	O	O	O	O	X	N
SDLC	N	N	N	P	O	O	O	N	N	O	O	O	O	O	O	N	X

Note 1: Programmable in Raw transmit or receive mode.

Almost all the options available from Table can be implemented with the proper software to perform the functions that are necessary for the options selected. In Table 3.1, a judgment has been made by the authors on which options are practical and which are not. What this means is that in table , an “N” should be interpreted as meaning that the option is either not practical when implemented with user software or that it cannot be done. An “O” is used when that function is one of several that can be implement with the GSC without additional user software.

The GSC is targeted to operate at bit rates up to 2.4 Mbps using the external clock options and up to 2 MBps using the internal baud rate generator, internal data formatting and on-chip clock recovery. The baud rate generator allows most standard rates to be achieved. These standards include the proposed IEEE802.3 LAN standard(1.0MBps) and the T1 standard (1.544Mbps). The baud rate is derived from the crystal frequency. This makes crystal selection important when determining the frequency and accuracy of the baud rate.

The user needs to be aware that after reset, the GSC is in CSMA/CD mode, IFS = 256 bit times, and a bit time equals 8 oscillator periods. The GSC will remain in this mode until the interframe space expires. If the user changes to SDLC mode or the parameters used in CSMA/CD, these changes will not take effect until the interframe space expires. A requirement for the interframe space timer to begin is that the receiver be in an idle state. This makes it possible for the GSC to

# KS152JB Universal Communications Controller

## Technical Specifications

---

be in some other mode than the user intends for a significant amount of time after reset. To prevent unwanted GSC errors from occurring, the user should not enable the GSC or the GSC interrupts for 170 machine cycles  $((256 \times 8) / 12)$  after LNI bit is set.

### **3.2 CSMA/CD Operation**

#### **3.2.1 CSMA/CD OVERVIEW**

CSMA/CD Operates by sensing the transmission line for a carrier, which indicates link activity. At the end of link activity, a station must wait a period of time, called the deference period, before transmission may begin. The deference period is also known as the interframe space. The interframe space is explained in Section 3.2.3

With this type of operation, there is always the possibility of a collision occurring after the deference period due to line delays. If a collision is detected after transmission is started, a jamming mechanism is used to ensure that all stations monitoring the line are aware of the collision. A resolution algorithm is then executed to resolve the contention. There are three different modes of collision resolution made available to the user on the C152. Re-transmission is attempted when a resolution algorithm indicates that a station's opportunity has arrived.

Normally, in CSMA/CD, re-transmission slot assignments are intended to be random. This method gives all stations an equal opportunity to utilize the serial communication link but also leaves the possibility of another collision due to two stations having the same slot assignment. There is an option on the C152 which allows all the stations to have their slot assignments previously determined by user software. This pre-assignment of slots is called the deterministic resolution mode. This method allows resolution after the first collision and ensures the access of the link to each station during the resolution. Deterministic resolution can be advantageous when the link is being heavily used and collisions are frequently occurring and in real time applications where determinism is required. Deterministic resolution may also be desirable if it is known before hand that a certain station's communication needs to be prioritized over those of other stations if it is involved in a collision.

#### **3.2.2 CSMA/CD FRAME FORMAT**

The frame format in CSMA/CD consists of preamble, Beginning of Frame flag (BOF), address field, information field, CRC, and End of Frame flag (EOF) as shown in Figure

PREAMBLE	BOF	ADDRESS	INFO	CRC	EOF
----------	-----	---------	------	-----	-----

Typical CSMA/CD Frame

# KS152JB Universal Communications Controller

## Technical Specifications

---

**PREAMBLE** - The preamble is a series of alternating 1s and 0s. The length of the preamble is programmable to be 0, 8, 32, or 64 bits. The purpose of the preamble is to allow all the receivers to synchronize to the same clock edges and identifies to the other stations on-line that there is activity indicating the link is being used. For these reasons zero preamble length is not compatible with standard CSMA/CD, protocols. When using CSMA/CD, the BOF is considered part of the preamble compared to SDLC, where the BOF is not part of the preamble. This means that if zero preamble length were to be used in CSMA/CD, mode, no BOF would be generated. It is strongly recommended that zero preamble length never be used in CSMA/CD mode. If the preamble contains two consecutive 0s, The preamble is considered invalid. If the C152 detects an invalid preamble, the frame is ignored.

**BOF** - In CSMA/CD the Beginning -Of-Frame is a part of the preamble and consists of two sequential 1s. The purpose of the BOF is to identify the end of the preamble and indicate to the receiver(s) that the address will immediately follow.

**ADDRESS** - The address field is used to identify which messages are intended for which stations. The user must assign addresses to each destination and source. How the addresses are assigned, how they are maintained, and how each transmitter is made aware of which addresses are available is an issue that is left to the user. Some suggestions are discussed in Section 3.5.5. Generally, each address is unique to each station but there are special cases where this is not true. In these special cases a message is intended for more than one station. These multi-targeted messages are called broadcast or multicast-group address usually is indicated by using a 1 as the first address bit. The user can choose to mask off all or selective bits of the address so that the GSC receives all messages or multicast-group messages. The address length is programmable to be 8 or 16 bits. An address consisting of all 1s will always be received by the GSC on the C152. The address bits are always passed from the GSC to the CPU. With user software, the address can be extended beyond 16 bits, but the automatic address recognition will only work on a maximum of 16 bits. User software will have to resolve any remaining address bits.

**INFO** - This is the information field and contains the data that one device on the link wishes to transmit to another device. It can be of any length the user wishes but needs to be in multiples of 8 bits. This is because multiples of 8 bits are used to transfer data into or out of the GSC FIFOs. The information field is delineated from the rest of the components of the frame by the preceding address field and the following CRC. The receiver determines the position of the end of the information field by passing the bytes through a temporary storage space. When the EOF is received the bytes in temporary storage are the CRC, and the last bit received previous to the CRC constitute the end of the information field.

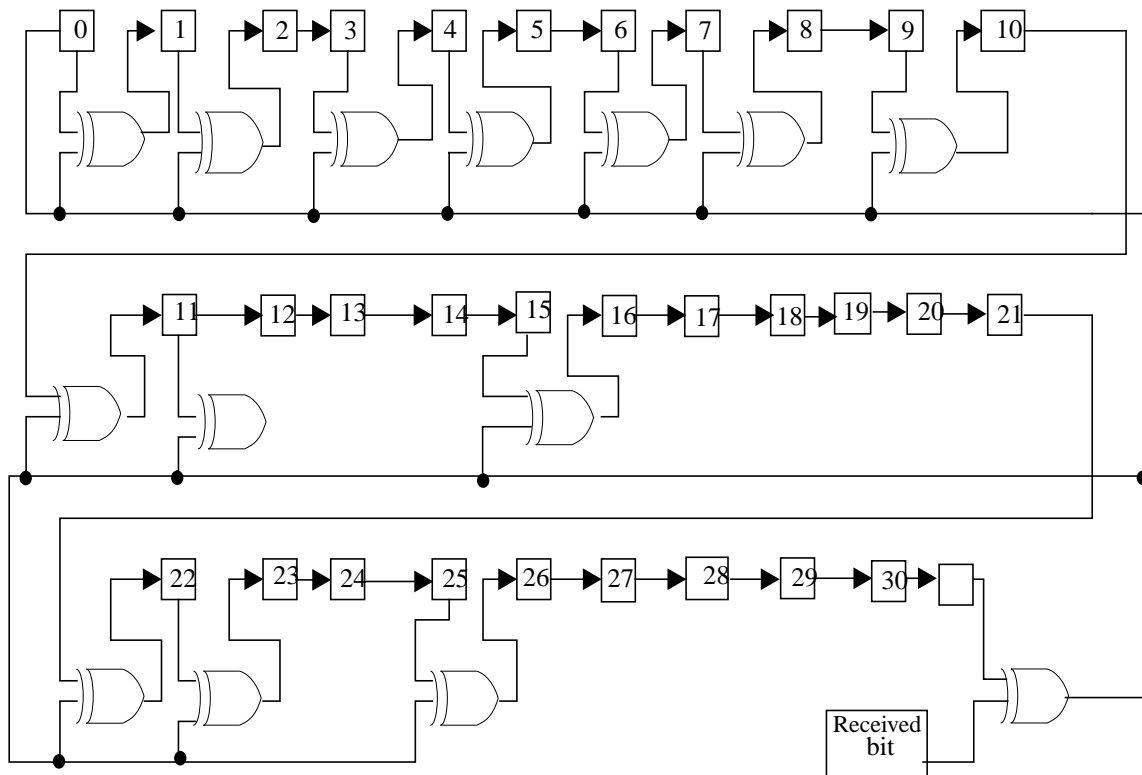
**CRC** - The Cyclic Redundancy Check (CRC) is an error checking algorithm commonly used in serial communications. The C152 offers two types of CRC algorithms, a 16-bit and a 32-bit. The 16-bit algorithm is normally used in the SDLC mode and will be described in the SDLC section. In CSMA/CD applications either algorithm can be used but IEEE 802.3 uses a 32-bit CRC. The generation polynomial the C152 uses with the 32-bit CRC is:

$$G(X) = X^{32} + X^{26} + X^{23} + X^{22} + X^{16} + X^{12} + X^{11} + X^{10} + X^8 + X^7 + X^5 + X^4 + X^2 + X + 1$$

# KS152JB Universal Communications Controller

## Technical Specifications

The CRC generator, as shown in figure below, operates by taking each bit as it is received and XOR'ing it with bit 31 of the current CRC. This result is then placed in temporary storage. The result of XOR'ing bit 31 with the received bit is then XOR'd with bits 0, 1,3,4,6,7,9,10,11,15,21,22,25 as the CRC is shifted right, the temporary storage space holding the result of XOR'ing bit 31 and the incoming bit is shifted into position 0. The whole process is then repeated with the next incoming or outgoing bit.



The user has no access to the CRC generator or the bits which constitute the CRC while in CSMA/CD. On transmission, the CRC is automatically appended to the data being sent, and on reception, the CRC bits are not normally loaded into the receive FIFO. Instead, they are automatically stripped. The only indication the user has for the status of the CRC is a pass/fail flag. The pass/fail flag only operates during reception. A CRC is considered as passing when the CRC generator has 11000111 00000100 11011010 01111011 B as a remainder after all of the data, including the CRC checksum, from the transmitting station has been cycled through the CRC generator. The preamble, BOF and EOF are not included as part of the CRC algorithm. An interrupt is available that will interrupt the CPU if the CRC of the receiver is invalid. The user can enable the CRC to be passed to the CPU by placing the receiver in the raw receive mode.

This method of calculating the CRC is compatible with IEEE 802.3

EOF - The End of Frame indicates when the transmission is completed. The end flag in CSMA/CD consists of an idle condition. An idle condition is assumed when there is no transitions and the

# KS152JB Universal Communications Controller

## Technical Specifications

---

link remains high for 2 or more bit times.

### 3.2.3 INTERFRAME SPACE

The interframe space is the amount of time that transmission is delayed after the link is sensed as being idle and is used to separate transmitted frames. In alternate back off mode, the interframe space may also be included in the determination of when retransmissions may actually begin. The C152 allows programmable interframe spaces of even numbers of times from 2 to 256. The hardware enforces the interframe space in SDLC mode as well as in CSMA/CD mode.

The period of the interframe space is determined by the contents of IFS. IFS is an SFR that is programmable from 0 to 254. The interframe space is measured in bit times. The value in IFS multiplied by the bit time equals the interframe space unless IFS equals 0. If IFS does equal 0, then the interframe space will equal 256 bit times. One of the considerations when loading the IFS is that only even numbers (LSB must be 0) can be used because only the 7 most significant bits are loaded into IFS. The LSB is controlled by the GSC and determines which half of the IFS is currently being used. In some modes, the interframe space timer is re-triggered if activity is detected during the first half of the period. The GSC determines which half of the interframe space is currently being used by examining the LSB. A one indicates the first half and zero indicates the second half of the IFS.

After reset IFS is 0, which delays the first transmission for both SDLC and CSMA/CD by 256 bit times (after reset, a bit time equals 8 oscillator clock periods).

In most applications, the period of the interframe space will be equal to or greater than the amount of time needed to turn-around the received frame. The turn-around period is the amount of time that is needed by user software to complete the handling of a received frame and be prepared to receive the next frame. An interframe space smaller than the required turn-around period could be used, but would allow some frames to be missed.

When a GSC transmitter has a new message to send, it will first sense the link. If activity is detected, transmission will be deferred to allow the frame in progress to complete. When link activity ceases, the station continues deferring for one interframe space period.

As mentioned earlier, the interframe space is used during the collision resolution period as well as during normal transmission. The backoff method selected affects how the deference period is handled during normal transmission. If normal backoff mode is selected, the interframe space timer is reset if activity occurs during approximately the first half of the interframe space. If alternate backoff or deterministic backoff is selected, the timer is not reset. In all cases when the interframe space timer expires, transmission may begin, regardless if there is activity on the link or not. Although the C152 resets the interframe space timer if activity is detected during the first one-half of the interframe space, this is not necessarily true of all CSMA/CD systems. (IEEE 802.3 recommends that the interframe space be reset if activity is detected during the first two-thirds or less of the interframe space.)



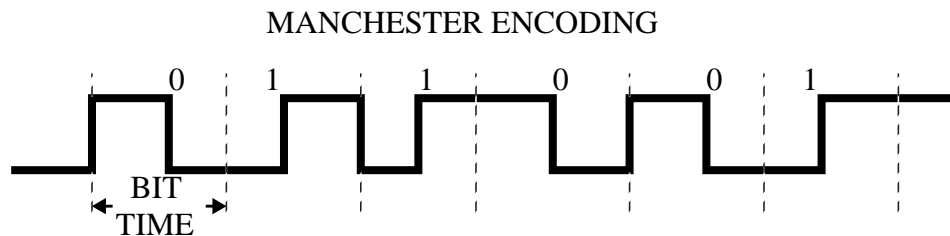
# KS152JB Universal Communications Controller

## Technical Specifications

---

### 3.2.4 CSMA/CD DATA ENCODING

Manchester encoding/decoding is automatically selected when the user software selects CSMA/CD transmission mode (See Figure below). In Manchester encoding the value of the bit is determined by the transition in the middle of the bit time, a positive transition is decoded as a 1 and a negative transition is decoded as a 0. The Address and Info bytes are transmitted LSB first. The CRC is transmitted MSB first.



If the external 1X clock feature is chosen the transmission mode is always NRZ (see Section 3.5.11). Using CSMA/CD with the external clock option is not supported because the data needs reformatting from NRZ to Manchester for the receiver to be able to detect code violations and collisions.

### 3.2.5 COLLISION DETECTION

The GSC hardware detects collisions by detecting Manchester waveform violations at its GRXD pin. Three kinds of waveform violations are detected: a missing 0-to-1 transition where one was expected, a 1-to-0 transition where none was expected, and a waveform that stays low (or high) for too short a time.

#### Jitter Tolerance

A valid Manchester waveform must have a transition at the midpoint of any bit cell, and may have a transition at the edge of any bit cell. Therefore, transitions will nominally be separated by either 1/2 bit-time or 1 bit-time.

The GSC samples the GRXD pin at the rate of 8 x the bit rate. The sequence of samples for the received bit sequence 001 would nominally be:

```
samples: 11110000 : 11110000 : 00001111 :
bit value: 0      : 0      : 1      :
          :<-bit cell->: <-bit cell->: <-bit cell->:
```

The sampling system allows a jitter tolerance of  $\pm 1$  sample for transitions that are 1/2 bit-time apart, and  $\pm 2$  samples for transitions that are 1 bit-time apart.

# KS152JB Universal Communications Controller

## Technical Specifications

---

### Narrow Pulses

A valid Manchester waveform must stay high or low for at least a half bit-time, nominally 4 sample-times. Jitter tolerance allows a waveform which stays high or low for 3 sample-times to also be considered valid. A sample sequence which shows a second transition only 1 or 2 sample-times after the previous transition is considered to be the result of a collision. Thus, sample sequences such as 0000110000 and 111101111 are interpreted as collisions.

The GSC hardware recognizes the collision to have occurred within 3/8 to 1/2 bit-time following the second transition.

### Missing 0-to-1 Transition

A 0-to-1 transition is expected to occur at the center of any bit cell that begins with 0. If the previous 1-to-0 transition occurred at the bit cell edge, a jitter tolerance of  $\pm 1$  sample is allowed. Sample sequences such as 1111:00001111 and 1111:000001111 are valid, where “:” indicates a bit cell edge. Sequences of the form 1111:000000XXX are interpreted as collisions.

For these kinds of sequences, the GSC recognizes the collision to have occurred within 1 to 11/8 bit-times after the previous 1-to-0 transition.

If the previous 1-to-0 transition occurred at the center of the previous bit cell, a jitter tolerance of  $\pm 2$  samples is allowed. Thus, sample sequences such as 11110000:00001111 and 111100000:000001111 are valid. Sequences of the form 111100000:000000XXX are interpreted as collisions.

For these kinds of sequences, the GSC recognizes the collision to have occurred within 1 5/8 to 1 3/4 bit-times after the previous 1-to-0 transition.

### Unexpected 1-to-0 Transition

If the line is at a logic 1 during the first half of a bit cell, then it is expected to make a 1-to-0 transition at the midpoint of the bit cell. If the transition is missed, it is assumed that this bit cell is the first half of an EOF flag (line idle for two bit-times). One bit-time later (which marks the midpoint of the next bit cell), if there is still no 1-to-0 transition, a valid EOF is assumed and the line idle bit (LNI in TSTAT) gets set.

However, if the assumed EOF flag is interrupted by a 1-to-0 transition in the bit-time following the first missing transition, a collision is assumed. In that case the GSC hardware recognizes the collision to have occurred within 1/2 to 5/8 bit-time after the unexpected transition.

# KS152JB Universal Communications Controller

## Technical Specifications

---

### 3.2.6 RESOLUTION OF COLLISIONS

How the GSC responds to a detected collision depends on what it was doing at the time the collision was detected. What it might be doing is either transmitting or receiving a frame, or it might be inactive.

#### GSC Inactive

If the GSC is already in the process of receiving a frame at the time the collision is detected, its response depends on whether the first byte of the frame has been transferred into RFIFO yet or not. If that hasn't occurred, the GSC simply aborts the reception, but takes no other action unless DCR has been selected. If DCR has been selected, the GSC participates in the resolution algorithm.

If the reception has already progressed to the point where a byte has been transferred to RFIFO by the time the collision is detected, the receiver is disabled ( $GREN = 0$ ), and the Receive Error Interrupt flag RCABT is set. If DCR has been selected, the GSC participates in the resolution algorithm.

**Table 11: Response to a Detected Collision.**

What the GSC was doing	Response
nothing	None, Unless $DCR = 1$ . If $DCR = 1$ , begin DCR countdown
Receiving a Frame, first byte not in RFIFO yet.	None, unless $DCR = 1$ . If $DCR = 1$ , begin DCR countdown.
Receiving a Frame, first byte already in RFIFO.	Set RCABT, clear GREN. If $DCR = 1$ , begin DCR countdown.
Transmitting a Frame, first byte still in TFIFO	Execute jam/backoff. Restart if collision count $\leq 8$ .
Transmitting a Frame, first byte already taken from TFIFO	Execute jam/backoff. Set TCDT, clear TEN.
Note: References to DCR and the DCR Countdown have to do with the Deterministic Collision Resolution Algorithm.	

#### Jam

The jam signal is generated by any 8XC152 that is involved in transmitting a frame at the time a collision is detected at its GRXD pin. This is to ensure that if one transmitting station detects a collision, all the other stations on the network will also detect a collision.

# KS152JB Universal Communications Controller

## Technical Specifications

---

If a transmitting 8XC152 detects a collision during the preamble/BOF part of the frame that it is trying to transmit, it will complete the preamble/BOF and then begin the jam signal in the first bit time after BOF. If the collision is detected later in the frame., the jam signal will begin in the next bit time after the collision was detected.

The jam signal lasts for the same number of bit times as the selected CRC length-either 16- or 32-bit times.

The 8XC152 provides two types of jam signals that can be selected by user software. If the node is DC-coupled to the network, the DC jam can be selected. In this case the GTXD pin is pulled to a logic 0 for the duration of the jam. If the node is AC-coupled to the network, then AC jam must be selected. In this case the GSC takes the CRC it has calculated thus far in the transmission, inverts each bit, and transmits the inverted CRC. The selection of DC or AC jam is made by setting or clearing the DCJ bit, which resides in the SFR named MYSLOT.

When the jam signal is completed, the 8XC152 goes into an idle state. Presumably, other stations on the network are also generating their own jam signals, after which they too go into an idle state. When the 8XC152 detects the idle state at its own GRXD pin, the backoff sequence begins.

### Backoff

There are three software selectable collision resolution algorithms in the 8XC152. The selection is made by writing values to 3 bits:

**Table 12:**

<b>DCR</b>	<b>M1</b>	<b>M0</b>	<b>Algorithm</b>
0	0	0	Normal Random
0	1	1	Alternate Random
1	1	1	Deterministic

M1 and M0 reside in GMOD, and DCR is in MYSLOT.

In the Normal Random algorithm, the GSC backs off for a random number of slot times and then decides whether to restart the transmission. The backoff time begins as soon as a line idle condition is detected.

The Alternate Random algorithm is the same as the Normal Random except the backoff time doesn't start until an IFS has transpired.

In the Deterministic algorithm, the GSC backs off to await its pre-determined turn.

# KS152JB Universal Communications Controller

## Technical Specifications

---

### Random Backoff

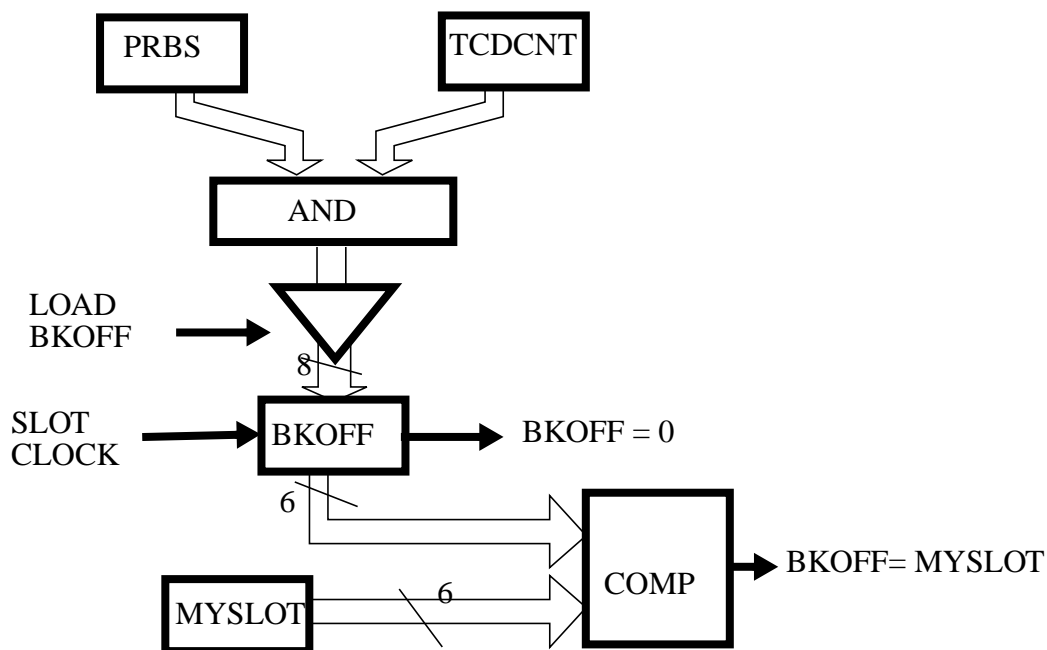
In either of the random algorithms, the first thing that happens after a collision is detected is that a 1 gets shifted into the TCDCNT (Transmit Collision Detect Count) register, from the right.

Thus if the software cleared TCDCNT before telling the GSC to transmit, then TCDCNT keeps track of how many times the transmission had to be aborted because of collisions:

TCDCNT = 00000000	first attempt
00000001	first collision
00000011	second collision
00000111	third collision
00001111	fourth collision
.....	
11111111	eighth collision

After TCDCNT gets a 1 shifted into it, the logical AND of TCDCNT and PRBS is loaded into a countdown timer named BKOFF. PRBS is the name of an SFR which contains the output of a pseudo-random binary sequence generator. Its function is to provide a random number for use in the backoff algorithm.

Thus on the first collision BKOFF gets loaded randomly with either 00000000 or 00000001. If there is a second collision it gets loaded with the random selection of 00000000, 00000001, 00000010, or 00000011. On the third collision there will be a random selection among 8 possible numbers. On the fourth, among 16, etc. Figure below shows the logical arrangement of PRBS, TCDCNT, and BKOFF.



# KS152JB Universal Communications Controller

## Technical Specifications

---

BKOFF starts counting down from its preload value, counting slot times. At any time, the current value in BKOFF can be read by the CPU, but CPU writes to BKOFF have no effect. While BKOFF is counting down, if its current value is not 0, transmission is disabled. The output signal “BKOFF = 0” is asserted when BKOFF reaches 0, and is used to re-enable transmission.

At that time transmission can proceed, subject of course to IFS enforcement, unless:

- ☛ shifting a 1 into TCDCNT from the right caused a 1 to shift out from the MSB of TCDCNT, or
- ☛ the collision was detected after TFIFO had been accessed by the transmit hardware.

In either of these cases, the transmitter is disabled ( $TEN = 0$ ) and the Transmit Error flag TCBT is set. The automatic restart is canceled.

Where the Normal and Alternate Random backoff algorithms differ is that in Normal Random backoff the BKOFF timer starts counting down as soon as a line idle condition is detected, whereas in Alternate Random backoff the BKOFF timer doesn't start counting down till the IFS expires.

The Alternate Random mode was designed for networks in which the slot time is less than the IFS. If the randomly assigned backoff time for a given transmitter happens to be 0, then it is free to transmit as soon as the IFS ends. If the slot time is shorter than the IFS, Normal Random mode would nearly guarantee that if there's first collision there will be a second collision. The situation is avoided in Alternate Random mode, since the BKOFF countdown doesn't start till the IFS is over.

The unit of count to the BKOFF timer is the slot time. The slot time is measured in bit-times, and is determined by a CPU write to the register SLOTTM. The slot time clock is a 1-byte down-counter which starts its countdown from the value written to SLOTTM. It is decremented each bit time when a backoff is in progress, and when it gets to 1 it generates one tick in the slot time clock. The next state after 1 is the reload value which was written to SLOTTM. If 0 is the value written to SLOTTM, the slot time clock will equal 256 bit times.

A CPU writes to SLOTTM accesses the reload register. A CPU read of SLOTTM accesses the downcounter. In most protocols, the slot period must be equal to or greater than the longest round trip propagation time plus the jam time.

### Deterministic Backoff

In the Deterministic backoff mode, the GSC is assigned (in software) a slot number. The slot assignment is written to the low 6 bits of the register MYSLOT. This same register also contains, in the 2 high bit positions, the control bits DCJ and DCR.

Slot assignments therefore can run from 0 to 63. It will turn out that the higher the slot assignment, the sooner the GSC will get to restart its transmission in the event of a collision.

# KS152JB Universal Communications Controller

## Technical Specifications

---

The highest slot assignment in the network is written by each station's software into its TCDCNT register. Normal the highest slot assignment is just the total number of stations that are going to participate in the backoff algorithm.

In deterministic backoff mode a collision will not cause a 1 to be shifted into TCDCNT. TCDCNT will still be ANDed with PRBS and the result loaded into BKOFF. In order to insure that all stations have the same value loaded into BKOFF, which determines the first slot number to occur, the PRBS should be loaded with OFFH; the PRBS will maintain this value until either the 8XC152 is reset or the user writes some other value into PRBS. After BKOFF is loaded it begins counting down slot times as soon as the IFS ends. Slot times are defined by the user, the same way as before, by loading SLOTTM with the number of bit times per slot.

When BKOFF equals the slot assignment (as defined in MYSLOT), the signal "BKOFF = MYSLOT" in Figure shown above is asserted for one slot time, during which the GSC can restart its transmission.

While BKOFF is counting down, if any activity is detected at the GRXD pin, the countdown is frozen until the activity ends, a line idle condition is detected, and an IFS transpires. Then the countdown resumes from where it left off.

If a collision is detected at the GRXD pin while BKOFF is counting down, the collision resolution algorithm is restarted from the beginning.

In effect, the GSC "owns" its assigned slot number, but with one exception. Nobody owns slot number 0. Therefore if the GSC is assigned slot number 0, then when BKOFF=0, this station and any other station that has something to say at this time will have an equal chance to take the line.

### 3.2.7 HARDWARE BASED ACKNOWLEDGE

Hardware Based Acknowledge (HBA) is data link packet acknowledging scheme that the user software can enable with CSMA/CD protocol. It is not an option with SDLC protocol however.

In general HBA can give improved system response time and increased effective transmission rates over acknowledge schemes implemented in higher layers of the network architecture. Another benefit is the possibility of early release of the transmit buffer as soon as the acknowledge is received.

The acknowledge consists of a preamble followed by an idle condition. A receiving station with HABEN enabled will send an acknowledge only if the incoming address is unique to the receiving station and if the frame is determined to be correct with no errors. For the acknowledge to be sent, TEN must be set. For the transmitting station to recognize the acknowledge GREN must be set. A zero as the LSB of the address indicates that the address is unique and not a group or broadcast address. Errors can be caused by collisions, incorrect CRC, misalignment, or FIFO overflow. The receiver sends the acknowledge as soon as the line is sensed to be idle. The user must program the

# KS152JB Universal Communications Controller

## Technical Specifications

---

interframe space and the preamble length such that the acknowledge is completed before IFS expires. This is normally done by programming IFS larger than the preamble.

A transmitting station with HABEN enabled expects an acknowledge. It must receive one prior to the end of the interframe space, or else an error is assumed and the NOACK bit is set. Setting of the TDN bit is also delayed until the end of the interframe space. Collisions detected during the interframe space will also cause NOACK to be set.

If the user software has enabled DMA servicing of the GSC, an interrupt is generated when TDN is set. TDN will be set at the end of the interframe space if a hardware based acknowledge is required and received. If the GSC is serviced by the CPU, the user must time out the interframe space and then check TDN before disabling the transmitter or transmit error interrupts. NOACK will generate a transmit error interrupt if the transmitter and interrupts are enabled during the interframe space.



# KS152JB Universal Communications Controller

## Technical Specifications

---

### 3.3 SDLC Operation

SDLC is a communication protocol developed by IBM and widely used in industry. It is based on a primary/ secondary architecture and requires that each secondary station have a unique address. The secondary stations can only communicate to the primary station, and then, only when the primary station allows communication to take place. This eliminates the possibility of contention on the serial line caused by the secondary station's trying to transmit simultaneously.

In the C152, SDLC can be configured to work in either full or half duplex. When adhering to strict SDLC protocol, full duplex is required. Full duplex is selected whenever a 16-bit CRC is selected. At the end of a valid reset the 16-bit CRC is selected. To select half duplex with a 16-bit CRC, the receiver must be turned off by user software before transmission. The receiver is turned off by clearing the GREN bit (RSTAT.1). The receiver needs to be turned off because the address that is transmitted is the address of the secondary station's receiver. If not turned off, the receiver could mistake the outgoing message as being intended for itself. When 32-bit CRCs are used, half duplex is the only method available for transmission.

#### **3.3.2 SDLC Frame Format**

The format of an SDLC frame is shown in Figure. The frame consists of a Beginning of Frame flag, Address field, Control Field, Information field (optional), a CRC, and the End of Frame flag.

BOF	ADDRESS	CONTROL	INFO	CRC	EOF
-----	---------	---------	------	-----	-----

Typical SDLC Frame

**BOF** - The begin of frame flag for SDLC is 01111110. It is only one of two possible combinations that have six consecutive ones in SDLC. The other possibility is an abort character which consists of eight or more consecutive ones. This is because SDLC utilizes a process called bit stuffing. Bit stuffing is the insertion of a 0 as the next bit every time a sequence of five consecutive 1s is detected. The receiver automatically removes a 0 after every consecutive group of five ones. This removal of the 0 bit is referred to as bit stripping. Bit stuffing is discussed in Section 3.3.4. All the procedures required for bit stuffing and bit stripping are automatically handled by the GSC.

In standard SDLC protocol the BOF signals the start of a frame and is limited to 8 bits in length. Since there is no preamble in SDLC the BOF is considered an entire separate field and marks the beginning of the frame. The BOF also serves as the clock synchronization mechanism and the reference point for determining the position of the address and control fields.

**ADDRESS** - The address field is used to identify which stations the message is intended for. Each secondary station must have a unique address. The primary station must then be made aware of which addresses are assigned to each station. The address length is specified as 8-bits in standard SDLC protocols but it is expandable to 16-bits in the C152. User software can further expand the

# KS152JB Universal Communications Controller

## Technical Specifications

---

number of address bits, but the automatic address recognition feature works on a maximum of 16-bits.

In SDLC the address are normally unique for each station. However, there are several classes of messages that are intended for more than one station. These messages are called broadcast and group addressed frames. An address consisting of all 1s will always be automatically received by the GSC, this is defined as the broadcast address in SDLC. A group address is an address that is common to more than one station. The GSC provides address masking bits to provide the capability of receiving group address.

If desired, the user software can mask off all the bits of the address. This type of masking puts the GSC in a promiscuous mode so that all addresses are received.

**CONTROL** - The control field is used for initialization of the system, identifying the sequence of a frame, to identify if the message is complete, to tell secondary stations if a response is expected, and acknowledgment of previously sent frames. The user software is responsible for insertion of the control field as the GSC hardware has no provisions for the management of this field. The interpretation and formation of the control field must also be handled by user software. The information following the control field is typically used for information transfer, error reporting, and various other functions. These functions are accomplished by the format of the control field. There are three formats available. The types of formats are informational, Supervisory, or Unnumbered.

**INFO** - This is the information field and contains the data that one device on the link wishes to transmit to another device. It can be of any length the user wishes, but must be a multiple of 8 bits. It is possible that some frames may contain no information field. The information field is identified to the receiving stations by the preceding control field and the following CRC. The GSC determines where the last of the information field is by passing the bits through the CRC generator. When the last bit or EOF is received the bits that remain constitute the CRC.

**CRC** -The Cyclic Redundancy Check (CRC) is an error checking sequence commonly used in serial communications. The C152 offers two types of CRC algorithms, a 16-bit and a 32-bit. The 32-bit algorithm is normally used in CSMA/CD applications and is described in section 3.2.2. In most SDLC applications a 16-bit CRC is used and the hardware configuration that supports 16-bit CRC is shown in Figure below The generating polynomial that the CRC generator uses with the 16-bit CRC is:

$$G(X) = X^{16} + X^{12} + X^5 + 1$$

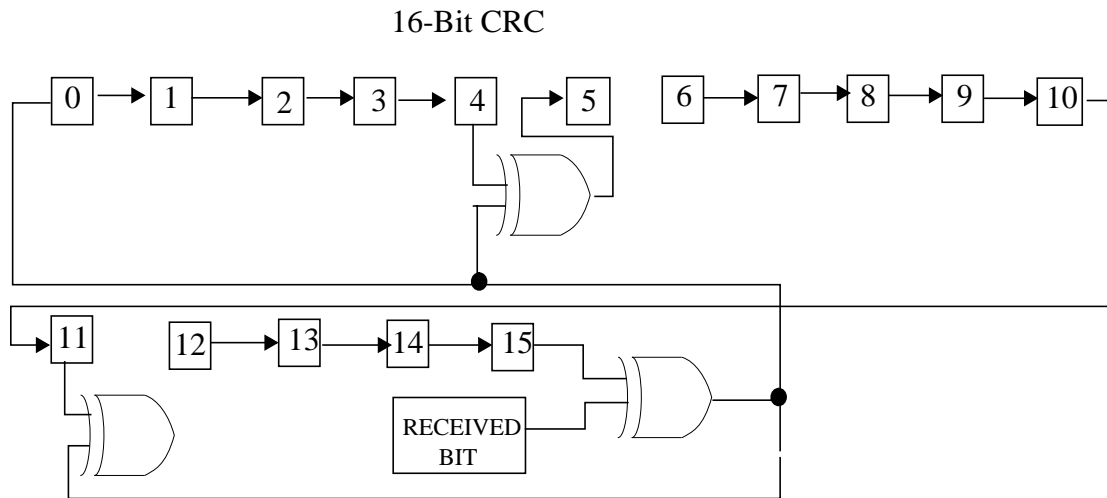
The way the CRC operates is that as a bit is received it is XOR'd with bit 15 of the current CRC and placed in temporary storage. The result of XOR'ing bit 15 with the received bit is then XOR'd with bit 4 and bit 11 as the CRC is shifted one position to the right. The bit in temporary storage is shifted into position 0.

The required CRC length for SDLC is 16 bits. The CRC is automatically stripped from the frame and not passed on to the CPU. The last 16 bits are then run through the CRC generator to insure

# KS152JB Universal Communications Controller

## Technical Specifications

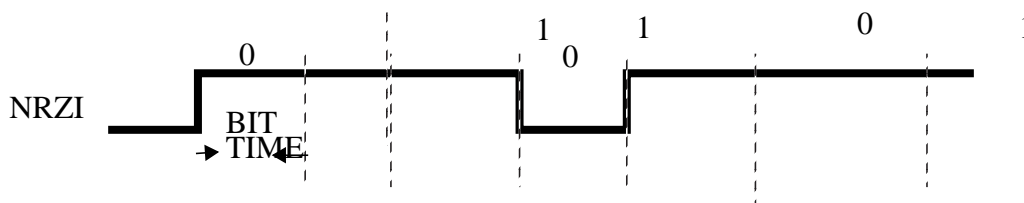
that the correct remainder is left. The remainder that is checked for is 001110100001111B (1D0F Hex). If there is a mismatch, an error is generated. The user software has the option of enabling this interrupt so the CPU is notified.



EOF - The End Of Frame (EOF) indicates when the transmission is complete. The EOF is identified by the end flag. An end flag consists of the bit pattern 0111110, The EOF can also serve as the BOF for the next frame.

### 3.3.3 DATA ENCODING

The transmission of data in SDLC mode is done via NRZI encoding as shown in Figure below. NRZI encoding transmits data by changing the state of the output whenever a 0 is being transmitted. Whenever a 1 is transmitted the state of the output remains the same as the previous bit and remains valid for the entire bit time. When SDLC mode is selected it automatically enables the NRZI encoding on the transmit line and NRZI decoding on the receive line. The Address and Info bytes are transmitted LSB first. The Address and Info bytes are transmitted LSB first. The CRC is transmitted MSB first.



### 3.3.4 BIT STUFFING/STRIPPING

In SDLC mode one of the primary rules of the protocol is that in any normal data transmission, there will never be an occurrence of more than 5 consecutive 1s. The GSC takes care of this housekeeping chore by automatically inserting a 0 after every occurrence of 5 consecutive 1s and the receiver automatically removes a zero after receiving 5 consecutive 1s. All the necessary steps

# KS152JB Universal Communications Controller

## Technical Specifications

---

required for implementing bit stuffing and striping are incorporated into the GSC hardware. This makes the operation transparent to the user. About the only time this operation becomes apparent to the user, is if the actual data on the transmission medium is being monitored by a device that is not aware of the automatic insertion of 0s. The bit stuffing/striping guarantees that there will be at least one transition every 6 bit times while the line is active.

### 3.3.5 SENDING ABORT CHARACTER

An abort character is one of the exceptions to the rule that disallows more than 5 consecutive 1s. The abort character consists of any occurrence of seven or more consecutive ones. The simplest way for the C152 to send an abort character is to clear the TEN bit. This causes the output to be disabled which, in turn, forces it to a constant high state. The delay necessary to insure that the link is high for seven bit times is a task that needs to be handled by user software. Other methods of sending an abort character are using the IFS register or using the Raw Transmit mode. Using IFS still entails clearing the TEN bit, but TEN can be immediately re-enabled. The next message will not begin until the IFS expires. The IFS begins timing out as soon as  $\overline{\text{DEN}}$  goes high which identifies the end of transmission. This also requires that IFS contain a value equal to or greater than 8. This method may have the undesirable effect that  $\overline{\text{DEN}}$  goes high and disables the external drivers. The other alternative is to switch to Raw Transmit mode. Then, writing OFFH to TFIFO would generate a high output for 8 bit times. This method would leave  $\overline{\text{DEN}}$  active during the transmission of the abort character.<sup>1</sup>

When the receiver detects seven or more consecutive 1s and data has been loaded into the receive FIFO, the RCABT flag is set in RSTAT and the frame is ignored. If no data has been loaded into the receive FIFO, there are no abort flags set and that frame is just ignored. A retransmitted frame may immediately follow an abort character, provided the proper flags are used.

### 3.3.6 LINE IDLE

If 15 or more consecutive 1s are detected by the receiver the Line Idle (LNI) in TSTAT is set. The seven 1s from the abort character may be included when sensing for a line idle condition. The same methods used for sending the Abort character can be used for creating the Idle condition. However, the values would need to be changed to reflect 15 bit times, instead of seven bit times.

### 3.3.7 ACKNOWLEDGEMENT

Acknowledgment in SDLC is an implied acknowledge and is contained in the control field. Part of the control frame is the sequence number of the next expected frame. This sequence number is called the Receive Count. In transmitting the Receive Count, the receiver is in fact acknowledging all the previous frames prior to the count that was transmitted. This allows for the transmission of up to seven frames before an acknowledge is required back to the transmitter. The limitation of seven frames is necessary because the Receive Count in the control field is limited to three binary digits. This means that if an eighth transmission occurred this would cause the next Receive Count to repeat the first count that still is waiting for an acknowledge. This would defeat the purpose of the acknowledgment. The processing and general maintenance of the sequence

# KS152JB Universal Communications Controller

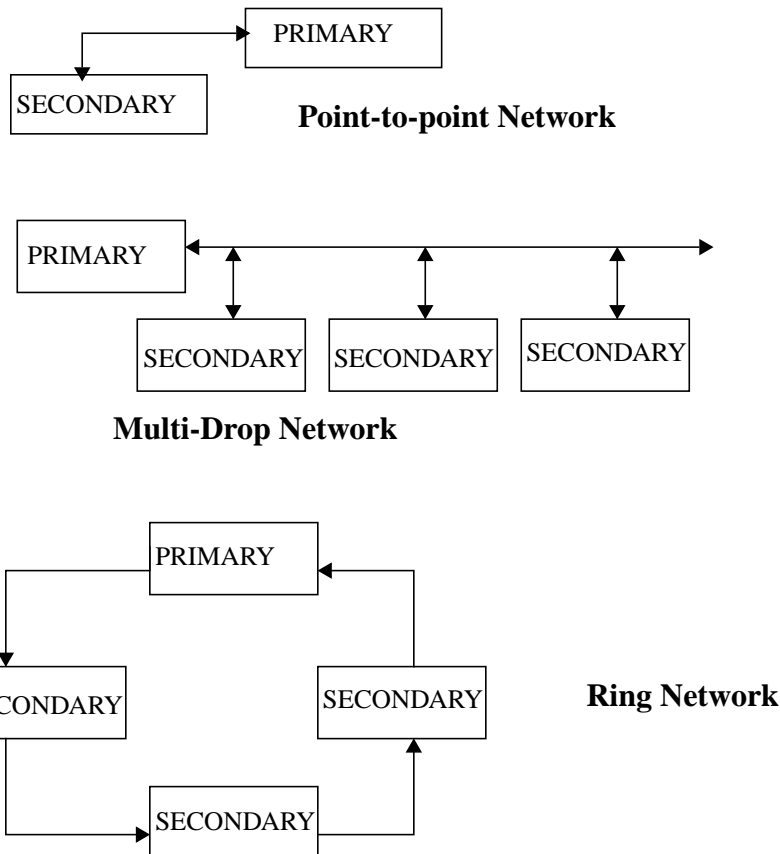
## Technical Specifications

---

count must be done by the user software. The Hardware Based Acknowledge option that is provided in the C152 is not compatible with standard SDLC protocol.

### 3.3.8 PRIMARY/SECONDARY STATIONS

All SDLC networks are based upon a primary/secondary station relationship. There can be only one primary station in a network and all the other stations are considered secondary. All communication is between the primary and secondary station. Secondary station to secondary station direct communication is prohibited. If there is a need for secondary to secondary communication, the user software will have to make allowances for the master to act as an intermediary. Secondary stations are allowed use of the serial line only when the master permits them. This is done by the master polling the secondary stations to see if they have a need to access the serial line. This should prevent any collisions from occurring, provided each secondary station has its own unique address. This arrangement also partially determines the types of networks supported. Normally SDLC networks consists of point-to-point, multi-drop, or ring configurations and the C152 supports all of these. However, some SDLC processors support an automatic one bit delay at each node that is not supported by the C152. In a "Loop Mode" configuration, is necessary that the transmission be delayed from the reception of the frames from the upstream station before passing the message to the downstream station. This delay is necessary so that a station can decode its own address before the message is passed on. The various networks are shown in Figure.



# KS152JB Universal Communications Controller

## Technical Specifications

---

### 3.3.9 HDLC/SDLC COMPARISON

HDLC (High level Data Link Control) is a standard adopted by the International Standards Organization (ISO). The HDLC standard is defined in the ISO document # ISO6159 -HDLC unbalanced classes of procedure. IBM developed the SDLC protocol as a subset of HDLC. SDLC conforms to HDLC protocol requirements, but is more restrictive. SDLC contains a more precise definition on the modes of operation.

Some of the major differences between SDLC and HDLC are:

SDLC	HDLC
Unbalanced (primary/secondary)	Balanced (peer to peer)
Modulo 8(no extensions allowed, acknowledge is required) up to 7 out-standing frames before acknowledge is required)	Modulo 128 (up to 127 outstanding frames before)
8-bit addressing only	Extended addressing
Byte aligned data	Variable size of data

The C152 does not support HDLC implementation requiring data alignment other than byte alignment. The user will find that many of the protocol parameters are programmable in the C152 which allows easy implementation of proprietary or standard HDLC network. User software needs to implement the control field functions.

### 3.3.10 USING A PREAMBLE IN SDLC

When transmitting a preamble in SDLC mode, the user should be aware that the pattern of 10101010.....is output. NRZI encoding is used in SDLC when the internal baud rate generator is the clock source and this means that a transition will occur every two bit times, when a 0 is transmitted. This compares with some others SDLC devices, most of which transmit the pattern 00000000..... which will cause a transition every bit time. Our past experience has shown that the C152 preamble does not cause a problem with most other devices. This is because the preamble is used only to define the relative bit time boundaries within some variation allowed by the receiving station, and the C152 does not have any problems with receiving a preamble consisting of all 0s. One note of caution however. If idle fill flags are used in conjunction with a preamble, the address 00(00)H and 55(55) H should not be assigned to any C152 as the preamble following the idle fill flags will be interpreted as an address.

## 3.4 User Defined Protocols

The explanation on the implementation of user defined protocols would go beyond the scope of this manual, but examining Table 3.1 should give the reader a consolidated list of most of the possibilities. In this manual, any deviation from the documents that cover the implementation of CSMA/CD or SDLC are considered user defined protocols. Examples of this would be the use of SDLC with the 32-bit CRC selected or CSMA/CD with hardware based acknowledge.

# KS152JB Universal Communications Controller

## Technical Specifications

---

### **3.5 USING THE GSC**

#### **3.5.1 LINE DISCIPLINE**

Line discipline is how the management of the transfer of data over the physical medium is controlled. Two types of line discipline will be discussed in this section: full duplex and half duplex.

Full duplex is the simultaneous transmission and reception of data. Full duplex uses anywhere from two to four wires. At least one wire is needed for transmission and one wire for reception. Usually there will also be a ground reference on each signal if the distance from station to station is relatively long. Full-duplex operation in the dC152 requires that both the receive and the transmit portion of the GSC are functioning at the same time. Since both the transmitter and receiver are operating, two CRC generators are also needed. The C152 handles this problem by having one 32-bit CRC generator and one 16-bit CRC generator. When supporting full-duplex operation, the 32-bit CRC generator is modified to work as a 16-bit CRC generator. When ever the 16-bit CRC is selected, the GSC automatically enters the full duplex mode. Half duplex with a 16-bit CRC is discussed in the following paragraph.

Half duplex is the alternate transmission and reception of data over a single common wire. Only one or two wires are needed in half-duplex systems. One wire is needed for the signal and if the distance to be covered is long there will also be a wire for the ground reference. In half-duplex mode, only the receiver or transmitter can operate at one time. When the receiver or transmitter operates is determined by user software, but typically the receiver will always be enabled unless the GSC is transmitting. When using the C152 in half-duplex and the receiver is connected to the transmitter it is possible that a station will receive its' own transmission. This can occur if a broadcast address is sent, the address mask register(s) are filled with all 1s, or the address being sent matches the sending stations address through the use of the address masking registers. the receiver must be disabled by the user while transmitting if any of these conditions will occur, unless the user wants a station to receive its own transmission. The receiver is disabled by clearing GREN (and GAREN if used). Half-duplex operation in the C152 is supported with either 16-bit or 32-bit CRCs. Whenever a 32-bit CRC is selected, only half-duplex operation can be supported by the GSC. It is possible to simulate full-duplex operation with a 32-bit CRC, but this would require that the CRC be performed with software. Calculating the CRC with the CPU would greatly reduce the data rates that could be used with the GSC. Whenever a 16-bit CRC is selected, full-duplex operation is automatically chosen and the GSC must be reconfigured if half duplex operation is preferred.

#### **3.5.2 PLANNING FOR NETWORK CHANGES AND EXPANSIONS**

A complete explanation on how to plan for network expansion will not be covered in this manual as there are far too many possibilities that would need to be discussed. But there are several areas that will have major impact when allowing for changes in the system. In cases where there will never be any changes allowed, expansion plans become a moot issue. However, it is strongly suggested that there always be some allowance for future modifications.

# KS152JB Universal Communications Controller

## Technical Specifications

---

Some of the general areas that will impact the overall scheme on how to incorporate future changes to the system are:

- 1) Communication of the change to all the stations or the primary station.
- 2) Maximum distance for communication. This will affect the drivers used and the slot time.
- 3) More stations may be on the line at one time. This may impact the interframe space or the collision resolution used.
- 4) If using CSMA/CD without deterministic resolution, any increase in network size will have a negative impact on the average throughput of the network and lower the efficiency. The user will have to give careful consideration when deciding how large a system can ultimately be and still maintain adequate performance.

### 3.5.3 DMA SERVICING OF GSC CHANNELS

There are two sources that can be used to control the GSC. The first is CPU control and the second is DMA control.

CPU control is used when user software takes care of the tasks such as: loading the TFIFO, reading the RDIFO, checking the status flags, and general tracking of the transmission process. As the number of tasks grow and higher data transfer rates are used, the overhead required by the CPU becomes the dominant consumption of time. Eventually, a point is reached where the CPU is spending 100% of its time responding to the needs of the GSC. An alternative is to have the DMA channels control the GSC

A detailed explanation on the general use of the DMA channels is covered in Section 4. In this section only those details required for the use of the DMA channels with the GSC will be covered.

The DMA channels can be configured by user software so that the GSC data transfers are serviced by the DA controller. Since there are two DMA channels, one channel can be used to service the receiver, and one channel can be used to service the transmitter. In using the DMA channels, the CPU is relieved of much of the time required to do the basic servicing of the GSC buffers. The types of servicing that the DMA channels can provide are: loading of the transmit FIFO, removing data from the receive FIFO, notification of the CPU when the transmission or reception has ended, and response to certain error conditions. When using the DMA channels the source or destination of the data intended for serial transmission can be internal data memory, external data memory, or any of the SFRs.

The only tasks required after initialization of the DMA and GSC registers are enabling the proper interrupts and informing the DMA controller when to start. After the DMA channels are started all that is required of the CPU is to respond to error conditions or wait until the end of transmission.

Initialization of the DMA channels requires setting up the control, source, and destination address



# KS152JB Universal Communications Controller

## Technical Specifications

---

registers. On the DMA channel servicing the receiver, the control register needs to be loaded as follows: DCONn.2 = 0, this sets the transfer mode so that response is to GSC interrupts and put the DMA control in alternate cycle mode; DCONn.3 = 1, this enables the demand mode; DCONn.4 = 0, this clears the automatic increment option for the source address; and DCONn.5 = 1, this defines the source as SFR. The DMA channel servicing the receiver also needs its source address register to contain the address of RFIFO (SHRHN = XXH, SARLN = 0F4H). On the DMA channel servicing the transmitter, the control register needs to be loaded as follows: DCONn.2 = 0; DCONn.3 = 1; DCONn.6 = 0, this clears the automatic increment option for the destination address; and DCONn.7 = 1, this sets the destination as SFR. The DMA channel servicing the transmitter also requires that its destination address register contains the address of TFIFO (DARHN = XXH, DARLN = 85H). Assuming that DCON0 would be servicing the receiver and DCON1 the transmitter, DCON0 would be loaded with XX1010X0B. The contents of SARH0 and DARH1 do not have any impact when using internal SFRs as the source or destination.

When using the DMA channels to service the GSC, the byte count registers will also need to be initialized.

The Done flag for the DMA channel servicing the receiver should be used if fixed packet lengths only are being transmitted or to insure that memory is not over-written by long received data packets. Overwriting of data can occur when using a smaller buffer than the packet size. In these cases the servicing of the DMA and/or GSC would be in response to the DMA Done flag when the byte count reaches zero.

In some cases the buffer size is not the limiting factor and the packet length will be unknown. In these cases it would be desirable to eliminate the function of the Done flag. To effectively disable the Done flag for the DMA channel servicing the receiver, the byte count should be set to some number larger than any packet that will be received, up to 64K. If not using the Done flag, then GSC servicing would be driven by the receive Done (RDN) flag and /or interrupt. RDN is set when the EOF is detected. When using the RDN flag, RFNE should also be checked to insure that all the data has been emptied out of the receive FIFO.

The byte count register is used for all transmissions and this means that all packets going out will have to be of the same length or the length of the packet to be sent will have to be known prior to the start of transmission. When using the DMA channels to service the GSC transmitter, there is no practical way to disable the Done flag. This is because the transmit done flag (TDN) is set when the transmit FIFO is empty and the last message bit has been transmitted. But, when using the DMA channel to service the transmitter, loads to the TFIFO continue to occur until the byte count reaches 0. This makes it impossible to use TDN as a flag to stop the DMA transfers to TFIFO. It is possible to examine some other registers or conditions, such as the current byte count, to determine when to stop the DMA transfers to TFIFO, but this is not recommended as a way to service the DMA and GSC when transmitting because frequent reading of the DMA registers will cause the effective DMA transfer rate to slow down.

When using the DMA channels, initialization of the GSC would be exactly the same as normal except that TSTAT.0 = 1 (DMA), this informs the GSC that the DMA channels are going to be used to service the GSC. Although only TSTAT is written to, both the receiver and transmitter use

# KS152JB Universal Communications Controller

## Technical Specifications

---

this same DMA bit.

The interrupts EGSTE (IEN1.5), GSC transmit error; EGSTV (IEN1.3), GSC transmit valid; EGSRE (IEN1.1), GSC receive error; and EGSRV (IEN1.0), GSC receive valid; need to be enabled. The DMA interrupts are normally not used when servicing the GSC with the DMA channels. To ensure that the DMA interrupts are normally not used when servicing the GSC with the DMA channels. To ensure that the DMA interrupts are not responded to is a function of the user software and should be checked by the software to make sure they are not enabled. priority for these interrupts can also be set at this time. Whether to use high or low priority needs to be decided by the user. When responding to the GSC interrupts, if a buffer is being used to store the GSC information, then the DMA registers used for the buffer will probably need updating.

After this initialization, all that needs to be done when the GSC is actually going to be used is: load the byte count, set-up the source addresses for the DMA channel servicing the transmitter, set-up the destination addresses for the DMA channel servicing the receiver, and start the DMA transfer. The GSC enable bits should be set first and then the GO bits for the DMA. This initiates the data transfers.

This simplifies the maintenance of the GSC and can make the implementation of an external buffer for packetized information automatic.

An external buffer can be used as the source of data for transmission, or the destination of data from the receiver. In this arrangement, the message size is limited to the RAM size or 64K, whichever is smaller. By using an external buffer, the data can be accessed by other devices which may want access to the serial data. The amount of time required for the external data moves will also decrease. Under CPU control, a "MOVX" command would take 24 oscillator periods to complete. Under DMA control, external to internal, or internal to external, data moves take only 12 oscillator periods.

### 3.5.4 BAUD RATE

The GSC baud rate is determined by the contents of the SFR, BAUD, or the external clock. The formula used to determine the baud rate when using the internal clock is:

$$(fosc) / ((BAUD + 1) * 8)$$

For example if a 12 MHz oscillator is used the baud rate can vary from:

$$12,000,000 / ((0+1) * 8) = 1.5 \text{ MBPS}$$

to:

$$12,000,000 / ((255+1) * 8) = 5.859 \text{ KBPS}$$

There are certain requirements that the external clock will need to meet. These requirements are

# KS152JB Universal Communications Controller

## Technical Specifications

---

specified in the data sheet. For a description of the use of the GSC with external clock please read Section 3.5.11.

### 3.5.5 INITIALIZATION

Initialization can be broken down into two major components, 1) initialization of the component so that its serial port is capable of proper communication; and 2) initialization of the system or a station so that intelligible communication can take place.

Most of the initialization of the component has already been discussed in the previous sections. Those items not covered are the parameters required for the component to effectively communicate with other components. These types of issues are common to both system and component initialization and will be covered in the following text.

Initialization of the system can be broken down into several steps. First, are the assumptions of each network station.

The first assumption is that the type of data encoding to be used is predetermined for the system and that each station will adhere to the same basic rules defining that encoding. The second assumption is that the basic protocol and line discipline is predetermined and known. This means that all stations are using CSMA/CD or SDLC or whatever, and that all stations are either full or half duplex. The third assumption is that the baud rate is preset for the whole system. Though the baud rate could probably be determined by the microprocessor just by monitoring the link, it will make it much simpler if the baud rate is known in advance.

One of the first things that will be required during system initialization is the assignment of unique addresses for each station. In a two-station only environment this is not necessary and can be ignored. However, keep in mind, that all systems should be constructed for easy future expansions. Therefore, even in only a two station system, addresses should be assigned. There are three basic ways in which addresses can be assigned. The first, and most common is preassigned addresses that are loaded into the station by the user. This could be done with a DIP-switch, through a keyboard. The second method of assigning addresses is to randomly assign an address and then check for its uniqueness throughout the system, and the third method is to make an inquiry to the system for the assignment of a unique address. Once the method of address assignment is determined, the method should become part of the specifications for the system to which all additions will have to adhere. This, then, is the final assumption.

The negotiation process may not be clear for some readers. The following two procedure are given as a guideline for dynamic address assignment.

In the first procedure, a station assumes a random address and then checks for its uniqueness throughout the system. As a station is initialized into the system it sends out a message containing its assumed address. The format of the message should be such that any station decoding the address recognizes it as a request for initialization. If that address is already used, the receiving station returns a message, with its own address starting that the address in question is already taken. The initializing station then picks another address. When the initializing station sends its

# KS152JB Universal Communications Controller

## Technical Specifications

---

inquiry for the address check, a timer is also started. If the timer expires before the inquiry is responded to, then that station assumes the address chosen is okay.

In the second procedure, an initializing station asks for an address assignment from the system. This requires that some station on the link take care of the task of maintaining a record of which addresses are used. This station will be called station-1. When the initializing station, called station-2, gets on the link, it sends out a message with a broadcast address. The format of the message should be such that all other stations on the link recognize it as a request for address assignment. Part of the message from station-2 is a random number generated by the station requesting the address. Station-2 then examines all received messages for this random number. The random number could be the address of the received message or could be within the information section of a broadcast frame. All the stations, except station-1, on the link should ignore the initialization request. Station-1, upon receiving the initialization requests, assigns an address and returns it to station-2. Station-1 will be required to format the message in such a manner so that all stations on the link recognize it as a response to initialization. This means that all stations except station-2 ignore the return message.

### 3.5.6 TEST MODES

There are two test modes associated with the GSC that are made available to the user. The test modes are named Raw Receive and Raw Transmit. The test modes are selected by the proper setting of the two mode bits in GMOD (M0 = GMOD.5, M1 = GMOD.6). If M1, M0 = 0,1 then Raw Transmit is selected. If M1, M0 = 1,0 then Raw Receive is enabled. The 32-bit CRC cannot be used in any of the test modes, or else CRC errors will occur.

In Raw Transmit, the transmit output is internally connected to the Receiver input. This is intended to be used as a local loop-back test mode, so that all data written to the transmitter will be returned by the receiver. Raw Transmit can also be used to transmit user data. If Raw Transmit is used in this way the data is emitted with no preamble, flag, address CRC, and no bit insertion. The data is still encoded with whatever format is selected, Manchester with CSMA/CD, NRZI with SDLC or as NRZ if external clocks are used. The receiver still operates as normal and in this mode most of the receive functions can be tested.

In Raw Receive, the transmitter should be externally connected to the receiver. To do this a port pin should be used to enable an external device to connect the two pins together. In Raw Receive mode the receiver acts as normal except that all bytes following the BOF are loaded into the receive FIFO, including the CRC. Also address recognition is not active but needs to be performed in software. If SDLC is selected as the protocol, zero-bit deletion is still enabled. The transmitter still operates as normal and in this mode most of the transmitter functions and an external transceiver can be tested. This is also the only way that the CRC can be read by the CPU, but the CRC error bit will not be set.

### 3.5.7 EXTERNAL DRIVER INTERFACE

A signal is provided from the C152 to enable transmitter drivers for the serial link. This is provided for systems that require more than what the GSC ports are capable of delivering. The volt-

# KS152JB Universal Communications Controller

## Technical Specifications

---

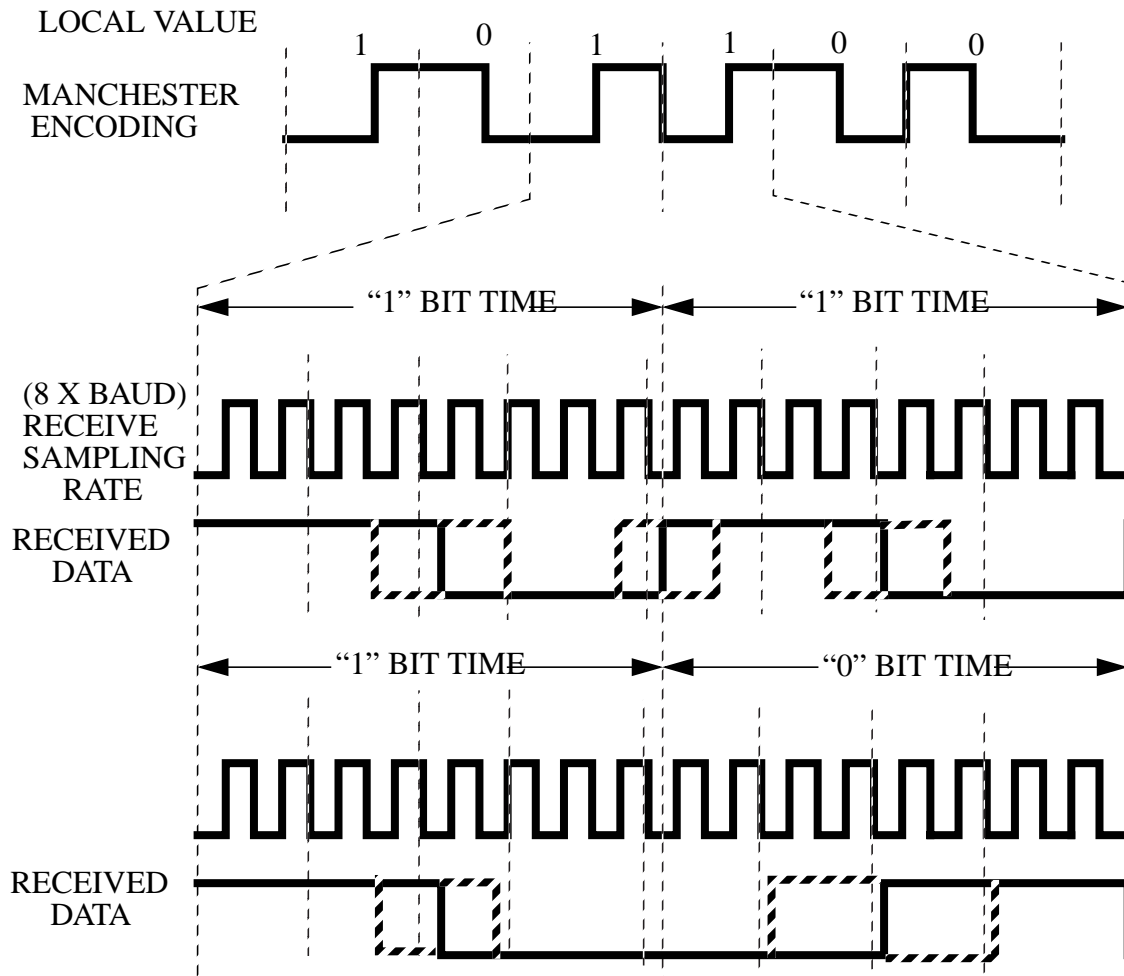
age and currents that the GSC is capable of providing are the same levels as those for normal port operation. The signal used to enable the external drivers is  $\overline{DEN}$ . No similar signal is needed for the receiver.

$\overline{DEN}$  is active one bit time before transmission begins. In CSMA/CD  $\overline{DEN}$  remains active for two bit times after the CRC is transmitted. In SDLC  $\overline{DEN}$  remains active until the last bit of the EOF is transmitted.

### 3.5.8 JITTER (RECEIVE)

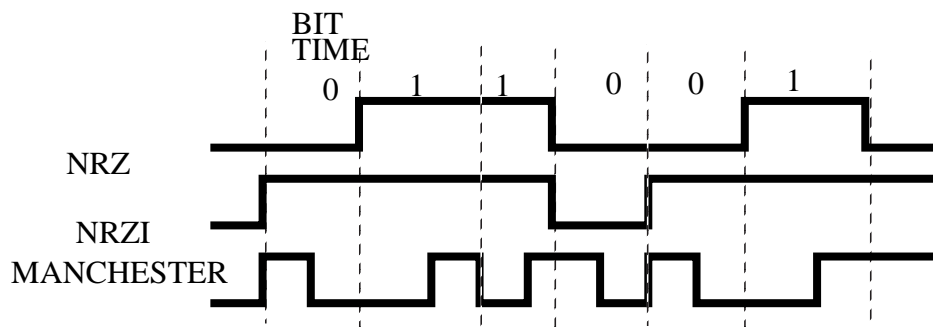
Data jitter is the difference between the actual transmitted waveform and the exact calculated value(s). In NRZI, data jitter would be how much the actual wave-form exceeds or falls short of one calculated bit time. A bit time equal  $1/\text{baud rate}$ . If using Manchester encoding, there can be two transitions during one bit time as shown in Figure below. This causes a second parameter to be considered when trying to figure out the complete data jitter amount. This other parameter is the half-bit jitter. The half-bit jitter is comprised of the difference in time that the half-bit transition actually occurs and the calculated value. Jitter is important because if the transition occurs too soon it is considered noise, and if the transition occurs too late, then either the bit is missed or a collision is assumed.

# KS152JB Universal Communications Controller Technical Specifications



### 3.5.9 Transmit Waveforms

The CSC is capable of three types of data encoding, Manchester, NRZI, and NRZ. Figure shows example of all three types of data encoding.



# KS152JB Universal Communications Controller

## Technical Specifications

---

### 3.5.10 Receiver Clock Recovery

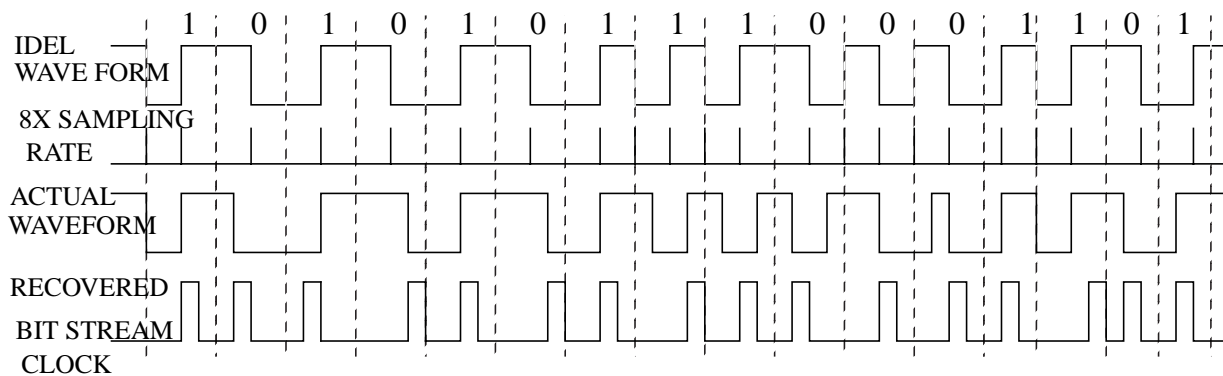
The receiver is always monitored at eight times the baud rate frequency, except when an external clock is used. When using an external clock the receiver is loaded during the clock cycle.

In CSMA/CD mode the receiver synchronizes to the transmitted data during the preamble. If a pulse is detected as being too short it is assumed to be noise or a collision. If a pulse is too long it is assumed to be a collision or an idle condition.

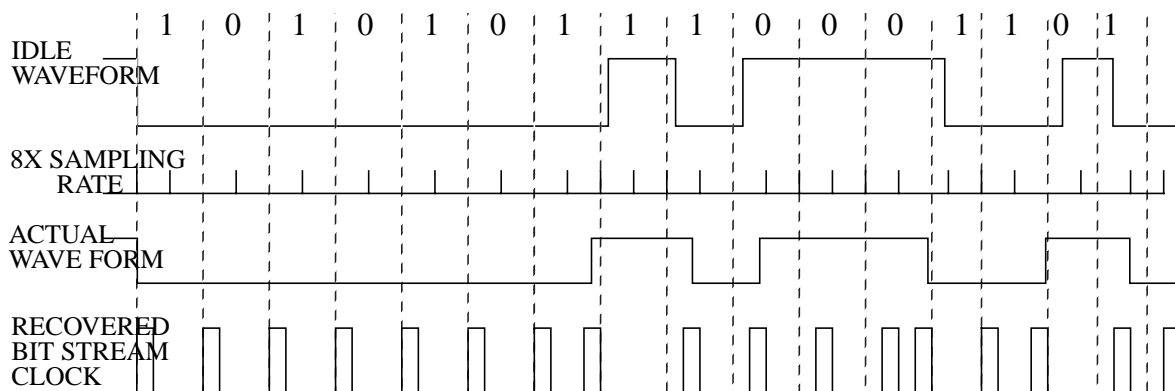
In SDLC the synchronization takes place during the BOF flag. In addition, pulses less than four sample periods are ignored, and assumed to be noise. This sets a lower limit on the pulse size of received zeros.

In CSMA/CD the preamble consists of alternating 1s and 0s. Consequently, the preamble looks like the waveform in Figure A and B.

#### CSMA/CD Clock Recovery



#### SDLC Clock Recovery



# KS152JB Universal Communications Controller

## Technical Specifications

---

### 3.5.11 External Clocking

To select external clocking, the user is given three choices. External clocking can be used with the transmitter, with the receiver, or with both. To select external clocking for the transmitter, XTCLK (GMOD.7) has to be set to a 1. To select external clocking for the receiver, XRCLK (PCON.3) has to be set to a 1. Setting both bits to 1 forces external clocking for the receiver and transmitter. The minimum frequency the GSC can be externally clocked at is 0 Hz (D.C.).

The external transmit clock is applied to pin 4 (TXC), P1.3. The external receive clock is applied to pin 5 (RXC), P1.4. To enable the external clock function on the port pin, that pin has to be set to a 1 in the appropriate SFR, P1.

Whenever the external clock option is used, the format of the transmitted and received data is restricted to NRZ encoding and the protocol is restricted to SDLC. With external clock, the bit stuffing/stripping is still active with SDLC protocol.

### 3.5.12 Determining Receiver Errors

It is possible that several receiver error bits will be set in response to a single cause. The multiple errors that can occur are:

AE and CRCE may both be set when an alignment error occurs due to a bad CRC caused by the misaligned frame.

RCABT, AE, and CRCE may be set when an abort occurs.

OVR, AE, and CRCE may be set when an overrun occurs.

In order to determine the correct cause of the error a specific order should be followed when examining the error bits. This order is:

- 1) OVR
- 2) RCBAT
- 3) AE
- 4) CRCE

### 3.5.13 Addressing

There are four 8-bit address registers (ADR0, ADR1, ADR2, ADR3) and two 8-bit address mask registers (AMSK0, AMSK1) in the C152. These function with the GSC receiver only. The transmitted address is treated like any other data. The address is transmitted under software control by placing the address byte(s) at the proper location (usually first) in the sequence of bytes to be output in the outgoing packet.

The C152 can have up to four different 8-bit addresses or two different 16-bit addresses assigned



# KS152JB Universal Communications Controller

## Technical Specifications

---

to each station. When using 16-bit addressing, ADR0:ADR1 form one address and ADR2:ADR3 form the second address. If the receiver is enabled, it looks for a matching address after every BOF flag is detected. As the data is received, if the 8th (or 16th) bit does not match the address recognition circuitry, the rest of the frame is ignored and the search continues for another flag. If the address does match the address recognition circuitry, the address and all subsequent data is passed into the receive FIFO until the EOF flag or an error occurs. The address is not stripped and is also passed to RFIFO.

The address masking registers, AMASK0 and AMASK1, work in conjunction with ADR0 and ADR1 respectively to identify “don’t care” bits. A 1 in any position in the AMASKn register makes the respective bit in the ADRn register irrelevant. These combinations can then be used for group addresses. If the masking registers are filled with all 1s, the C152 will receive all packets, which is called the promiscuous mode. If 16-bit addressing is used, AMASK0:AMASK1 form one 16-bit address mask.

## **3.6 GSC Operation**

### **3.6.1 Determining Line Discipline**

In normal operation the GSC uses full or half duplex operation. When using a 32-bit CRC (GMOD.3 = 1), operation can only be half duplex. If using a 16-bit CRC (GMOD.3 = 0), full duplex is selected by default. When using a 16-bit CRC the receiver can be turned off while transmitting (RSTAT.1 = 0), and the transmitter can be turned off during reception (TSTAT.1 = 0). This simulates half-duplex operation when using a 16-bit CRC.

Normally, HDLC uses a 16-bit CRC, so half duplex is determined by turning off the receiver or transmitter. This is so that the receiver will not detect its own address as transmission takes place. This also needs to be done when using CSMA/CD with a 16-bit CRC for the same reason.

### **3.6.2 CPU/DMA CONTROL OF THE GSC**

The data for transmission or reception can be handled by either the CPU (TSTAT.0 = 0) or DMA controller (TSTAT.0 = 1). This allows the user two sets of flags to control the FIFO. Associated with these flags are interrupts, which may be enabled by the user software. Either one or both sets of flags may be used at the same time.

In CPU control mode the flags (RFNE, TFNF) are generated by the condition of the receive or transmit FIFO's. After loading a byte into the transmit FIFO, there is a one machine cycle latency until the TFNF flag is updated. Because of this latency, the status of TFNF should not be checked immediately following the instruction to load the transmit FIFO. If using the interrupts to service the transmit FIFO, the one machine cycle of latency must be considered if the TFNF flag is checked prior to leaving the subroutine.

When using the CPU for control, transmission normally is initiated by setting TEN bit (TSTAT.1)

# KS152JB Universal Communications Controller

## Technical Specifications

---

and then writing to TFIFO. TEN must be set before loading the transmit FIFO, as setting TEN clears the transmit FIFO. TCDCNT should also be checked by user software and cleared if a collision occurred on a prior transmission.

To enable the receiver, GREN (RSTAT.1) is set. After GREN is set, the GSC begins to look for a valid BOF. After detecting a valid BOF the GSC attempts to match the received address byte(s) against the address match registers. When a match occurs the frame is loaded into the GSC. Due to the CRC strip hardware, there is a 40 or 24 bit time delay following the BOF until the first data byte is loaded into RFIFO if the 32 or 16 bit CRC is chosen. If the end of frame is detected before data is loaded into the receive FIFO, the receiver ignores that frame.

If the receiver detects a collision during reception in CSMA/CD mode and if any bytes have been loaded into the receive FIFO, the RCABT flag is set. The GSC hardware then halts reception and resets GREN. The user software needs to filter any collision fragment data which may have been received. If the collision occurred prior to the data being loaded into RFIFO the CPU is not notified and the receiver is left enabled. At the end of a reception the RDN bit is set and GREN is cleared. In HABEN mode this causes an acknowledgment to be transmitted if the frame did not have a broadcast or multi-cast address. The user software can enable the interrupt for RDN to determine when a frame is completed.

In DMA mode the interrupts are generated by the internal “transmit/receive done” (TDN,RDN) conditions. When the CPU responds to TDN or RDN, checks are performed to see if the transmit underrun error has occurred. The underrun condition is only checked when using the DMA channels.

Upon power up the CPU mode is initialized. General DMA control is covered in Section 4.0 DMA control of the GSC is covered in Section 3.5.4. If DMA is to be used for serving the GSC, it must be configured into the serial channel demand mode and the DMA bit in TSTAT has to be set.

### 3.6.3 COLLISIONS AND BACKOFF

The actions that are taken by the GSC if a collision occurs while transmitting depend on where the collision occurs. If a collision occurs in CSMA/CD mode following the preamble and BOF flag, the TCDT flag is set and the transmit hardware completes a jam. When this type of collision occurs, there will be no automatic retry at transmission. After the jam, control is returned to the CPU and user software must then initiate whatever actions are necessary for a proper recovery. The possibility that data might have been loaded into or from the GSC deserves special consideration. If these fragments of a message have been passed on to other devices, user software may have to perform some extensive error handling or notification. Before starting a new message, the transmit and receive FIFOs will need to be cleared. If DMA servicing is being used the pointers must also be reinitialized. It should be noted that a collision should never occur after the BOF flag in a well designed system, since the system slot time will likely be less than the preamble length. The occurrence of such a situation is normally due to a station on the link that is not adhering to proper CSMA/CD protocol or is not using the same timing s as the rest of the network.

A collision occurring during the preamble or BOF flag is the normal type of collision that is

# KS152JB Universal Communications Controller

## Technical Specifications

---

expected. When this type of collision occurs the GSC automatically handles the retransmission attempts for as many as eight tries. If on the eighth attempt a collision occurs, the transmitter is disabled, although the jam and back off are performed. If enabled, the CPU is then interrupted. The user software should then determine what action to take. The possibilities range from just reporting the error and aborting transmission to reinitializing the serial channel registers and attempt retransmission.

If less than eight attempts are desired TCDCNT can be loaded with some value which will reduce the number of collisions possible before TCDCNT overflows. The value loaded should consist of all 1s as the least significant bits, e.g. 7, 0FH, 3FH. A solid block of 1s is suggested because TCDCNT is used as a mask when generating the random slot number assignment. The TCDCNT register operates by shifting the contents one bit position to the left as each collision is detected. As each shift occurs a 1 is loaded into the LSB. When TCDCNT overflows, GSC operation stops and the CPU is notified by the setting of the TCDT bit which can flag an interrupt.

The amount of time that the GSC has before it must be ready to retransmit after a collision is determined by the mode which is selected. The mode is determined M0 (GMOD.5) and M1 (GMOD.6). If M0 and M1 equal 0,0 (normal backoff) then the minimum period before retransmission will be either the interframe space or the backoff period, whichever is longer. If M0 and M1 equal 1,1 (alternate backoff) then the minimum period before retransmission will be the interframe space plus the backoff period. Both of these are shown in table below. Alternate backoff must be enabled if using deterministic resolution. If the GSC is not ready to retransmit by the time its assigned slot becomes available, the slot time is lost and the station must wait until the collision resolution time period has passed.

**Table 13:**

What the GSC was doing	Response
nothing	None, Unless DCR =1. If DCR = 1, begin DCR countdown
Receiving a Frame, first byte not in RFIFO yet.	None, unless DCR = 1. If DCR = 1, begin DCR countdown.
Receiving a Frame, first byte already in RFIFO.	Set RCABT, clear GREN. If DCR = 1, begin DCR countdown.
Transmitting a Frame, first byte still in TFIFO	Execute jam/backoff. Restart if collision count $\leq$ 8.
Transmitting a Frame, first byte already taken from TFIFO	Execute jam/backoff. Set TCDT, clear TEN.

Instead of waiting for the collision resolution to pass, the transmission could be aborted. The decision to abort is usually dependent on the number of stations on the link and how many collisions have already occurred. The number of collisions can be obtained by examining the register, TCDCNT. The abort is normally implemented by clearing TEN. The new transmission begins by setting TEN and loading TFIFO. The minimum amount of time available to initiate a retransmission

# KS152JB Universal Communications Controller

## Technical Specifications

---

would be one interframe space period after the line is sensed as being idle.

As the number of stations approach 256 the probability of a successful transmission decreases rapidly. If there are more than 256 stations involved in the collision there would be no resolution since at least two of the stations will always have the same backoff interval selected.

All the stations monitor the link as long as that station is active, even if not attempting to transmit. This is to ensure that each station always defers the minimum amount of time before attempting a transmission and so that addresses are recognized. However, the collision detect circuitry operates slightly differently.

In normal back-off mode, a transmitting station always monitors the link while transmitting. If a collision is detected one or more of the transmitting stations apply the jam signal and all transmitting stations enter the back-off algorithm. The receiving stations also constantly monitor for a collision but do not take part in the resolution phase. This allows a station to try to transmit in the middle of a resolution period. This in turn may or may not cause another collision. If the new station trying to transmit on the link does so during an unused slot time then there will probably not be a collision. If trying to transmit during a used slot time, then there will probably be a collision. The actions the receiver does take when detecting a collision is to just stop receiving data if data has not been loaded into RFIFO or to stop reception, clear receiver enable (REN) and set the receiver abort flag (RCABT - RSTAT.6).

If deterministic resolution is used, the transmitting stations go through pretty much the same process as in normal back-off, except that the slots are predetermined. All the receivers go through the back-off algorithm and may only transmit during their assigned slot.

### 3.6.4 SUCCESSFUL ENDING OF TRANSMISSIONS AND RECEPTIONS

In both CSMA/CD and SDLC modes, the TDN bit is set and TEN cleared at the end of a successful transmission. The end of the transmission occurs when the TFIFO is empty and the last byte has been transmitted. In CSMA/CD the user should clear the TCDCNT register after successful transmission.

At the end of a successful reception, the RDN bit is set and GREN is cleared. The end of reception occurs when the EOF flag is detected by the GSC hardware.

## 3.7 GSC Register Descriptions

ADR0,1,2,3 (95H, 0A5H, 0B5H, 0C5H) - Address Match Registers 0,1,2,3 - Contains the address match values which determines which data will be accepted as valid. In 8 bit addressing mode, a match with any of the four registers will trigger acceptance. In 16 bit addressing mode a match with ADR1:ADR0 or ADR3:ADR2 will be accepted. Addressing mode is determined in GMOD(AL).

AMSK0,1 (0D5H, 0E5H) - Address Mask 0,1 - Identifies which bits in ADR0,1 are “don’t care”

# KS152JB Universal Communications Controller

## Technical Specifications

---

bits. Writing a one to a bit in AMSK0,1 masks out that corresponding bit in ADDR0,1.

**BAUD (94H) -GSC Baud Rate Generator** - Contains the value of the programmable baud rate. The data rate will equal (frequency of the oscillator)/((BAUD +1) x (8)). Writing to BAUD actually stores the value in a reload register. The reload register contents are copied into the BAUD register when the Baud register decrements to 00H. Reading BAUD yields the current timer value. A read during GSC operation will give a value that may not be current because the timer could decrement between the time it is read by the CPU and by the time the value is loaded into its destination.

**BKOFF(0C4H) - Backoff Timer** -The backoff timer is an eight bit count-down timer with a clock period equal to one slot time. The backoff time is used in the CSMA/CD collision resolution algorithm. The user software may read the timer but the value may be invalid as the timer is clocked asynchronously to the CPU. Writing to 0C4H will have no effect.

GMOD(84H)							
7	6	5	4	3	2	1	0
XTCLK	M1	M0	AL	CT	PL1	PL0	PR

**GMOD.0 (PR) - Protocol** - If set, SDLC protocols with NRZI encoding and SDLC flags are used. If cleared, CSMA/CD link access with Manchester encoding is used. The user software is responsible for setting or clearing this flag.

**GMOD.1,2 (PL0,1) - Preamble length**

PL1	PL0	LENGTH (BITS)
0	0	0
0	1	8
1	0	32
1	1	64

The length includes the two bit Begin Of Frame (BOF) flag in CSMA/CD but does not include the SDLC flag. In SDLC mode, the BOF is an SDLC flag, otherwise it is two consecutive ones. Zero length is not compatible in CSMA/CD mode. The user software is responsible for setting or clearing these bits.

**GMOD.3 (CT)-CRC Type** - If set, 32 bit AUTODINII -32 is used. If cleared, 16 bit CRC-CCITT is used. The user software is responsible for setting or clearing this flag.

**GMOD.4 (AL) - Address Length** - If set, 16 bit addressing is used. In 8 bit mode a match with any of the 4 address registers will be accepted (ADR0, ADR1, ADR2, ADR3). “Don’t Care” bits may be masked in ADR0 and ADR1 with AMSK0 and AMSK1. In 16 bit mode, addresses are matched against “ADR1:ADR0” or “ADR3: ADR2”. Again, “Don’t Care” bits in ADR1:ADR0

# KS152JB Universal Communications Controller

## Technical Specifications

---

can be masked in AMSK1:AMSK0. A received address of all ones will always be recognized in any mode. The user software is responsible for setting or clearing this flag.

GMOD.5,6 (M0,M1) - Mode Select - Two test modes, an optional “alternate backoff” mode, or normal back-off can be enabled with these two bits. The user software is responsible for setting or clearing the mode bits.

M1	M0	Mode
0	0	Normal
0	1	Raw Transmit
1	0	Raw Receive
1	1	Alternate Backoff

In raw receive mode, the receiver operates as normal except that all the bytes following the BOF are loaded into the receive FIFO, including the CRC. The transmitter operates as normal.

In raw transmit mode the transmit output is internally connected to the receiver input. The internal connection is not at the actual port pin, but inside the port latch. All data transmitted is done without a preamble, flag or zero bit insertion, and without appending a CRC. The receiver operates as normal. Zero bit deletion is performed.

In alternate backoff mode the standard backoff process is modified so the backoff is delayed until the end of the IFS. This should help to prevent collisions constantly happening because the IFS time is usually larger than the slot time.

GMOD.7 (XTCLK) - External Transmit Clock -If set an external 1X clock is used for the transmitter. If cleared the internal baud rate generator provides the transmit clock. The input clock is applied to P1.3 ( $\overline{T X C}$ ). The user software is responsible for setting or clearing this flag. External receive clock is enabled by setting PCON.3

IFS (0A4H) - Interframe Spacing - Determines the number of bit times separating transmitted frames in CSMA/CD and SDLC. A bit time is equal to 1/baud rate. Only even interframe space periods can be used. The number written into this register is divided by two and loaded in the most significant seven bits. Complete interframe space is obtained by counting this seven bit number down to zero twice. A user software read of this register will give a value where the seven most significant bit shows a one for the first count-down and a zero for the second count. The value read may not be valid as the timer is clocked in periods not necessarily associated with the CPU read of IFS. Loading this register with zero results in 256 bit times.

# KS152JB Universal Communications Controller

## Technical Specifications

---

MYSLOT (0F5H) - Slot Address Register

7	6	5	4	3	2	1	0
DCJ	DCR	SA5	SA4	SA3	SA2	SA1	SA0
SAn = SLOT ADDRESS (BITS 5 - 0)							

MYSLOT.0, 1,2,3,4,5 - Slot Address -The six address bits choose 1 of 64 slot addresses. Address 63 has the highest priority and address 1 has lowest. A value of zero will prevent a station from transmitting during the collision resolution period by waiting until all the possible slot times have elapsed. The user software normally initializes this address in the operating software.

MYSLOT.6 (DCR) - Deterministic Collision Resolution Algorithm - When set, the alternate collision resolution algorithm is selected. Retriggering of the IFS on reappearance of the carrier is also disabled. When using this feature Alternate Backoff Mode must be selected and several other registers must be initialized. User software must initialize TCDCNT with the maximum number of slots that are most appropriate for a particular application. The PRBS register must be set to all ones. The disables the PRBS by freezing it's contents at 0FFH. The backoff timer is used to count down the number of slots based on the slot timer value setting the period of one slot. The user software is responsible for setting or clearing this flag.

MYSLOT.7 (DCJ) - D.C.Jam - When set selects D.C. type jam, when clear, selects A.C. type jam. The user software is responsible for setting or clearing this flag.

PCON (087H)

7	6	5	4	3	2	1	0
SMOD	ARB	REQ	GAREN	XRCLK	GFIEN	PD	IDL

PCON contains bits for power control, LSC control, DMA control, and GSC control. The bit used for the GSC are PCON.2, PCON.3, and PCON.4.

PCON.2 (GFIEN) - GSC Flag Idle Enable -Setting GFIEN to a 1 caused idle flags to be generated between transmitted frames in SDLC mode. SDLC idle flags consists of 01111110 flags creating the sequence 0111111001111110.....01111110. A possible side effect of enabling GFIEN is that the maximum possible latency from writing to TFIFO until the first bit is transmitted increased from approximately 2 bit-times to around 8 bit-times. GFIEN has not effect with CSMA/CD.

# KS152JB Universal Communications Controller

## Technical Specifications

---

PCON.3(XRCLK) -GSC External Receive Clock Enable- Writing a 1 to XRCLK enables an external clock to be applied to pin 5(Port 1.4). The external clock is used to determine when bits are loaded into the receiver.

PCON.4 (GAREN) - GSC Auxiliary Receiver Enable Bit - This bit needs to be set to a 1 to enable the reception of back-to-back SDLC frames. A back-to-back SDLC frame is when the EOF and BOF is shared between two sequential frames intended for the same station on the link. If GAREN contains a 0 then the receiver will be disabled upon reception of the EOF and by the time user software re-enables the receiver the first bit(s) may have already passed, in the case of back-to-back frames. Setting GAREN to a 1, prevents the receiver from being disabled by the EOF but GREN will be cleared and can be checked by user software to determine that an EOF has been received. GAREN has no effect if the GSC is in CSMA/CD mode.

PRBS (0E4H) - Pseudo-Random Binary Sequence - This register contains a pseudo-random number to be used in the CSMA/CD backoff algorithm. The number is generated by using a feedback shift register clocked by the CPU phase clocks. Writing all ones to the PRBS will freeze the value at all ones. Writing any other value to it will restart the PRBS generator. The PRBS is initialized to all zero's during RESET. A read of location 0E4H will not necessary give the seed used in the backoff algorithm because the PRBS may have been altered between the time when the seed was generated and before a READ has been internally executed.

RFIFO (0F4H) - Receive FIFO - RFIFO is a 3 byte buffer that is loaded each time the GSC receiver has a byte of data. Associated with RFIFO is a pointer that is automatically updated with each read of the FIFO. A read of RFIFO fetches the oldest data in the FIFO.

RSTAT (0E8H) - Receive Status Register

7	6	5	4	3	2	1	0
OR	RCABT	AE	CRCE	RDN	RFNE	GREN	HABEN

RSTAT.0 (HABEN) - Hardware Based Acknowledge Enable - If set, enables the hardware based acknowledge feature. The user software is responsible for setting or clearing this flag.

RSTAT.1 (GREN) - Receiver Enable -When set, the receiver is enabled to accept incoming frames. The user must clear RFIFO with software before enabling the receiver. RFIFO is cleared by reading the contents of RFIFO until RFIFO=0. After each read of RFIFO, it takes one machine cycle for the status of RFNE to be updated. Setting GREN is cleared by hardware at the end of a reception or if any receive errors are detected. The user software is responsible for setting this flag and the GSC or user software can clear it. The status of GREN has no effect on whether the receiver input circuitry always monitors the receive pin.

RSTAT.2 (RFNE) - Receive FIFO Not Empty - If set, indicates that the receive FIFO contains



# KS152JB Universal Communications Controller

## Technical Specifications

---

data. The receive FIFO is a three byte buffer into which the receive data is loaded. A CPU read of the FIFO retrieves the oldest data and automatically updates the FIFO pointers. Setting GREN to a one will clear the receive FIFO. The status of this flag is controlled by the GSC. It is cleared if user empties receive FIFO.

**RSTAT.3 (RDN) - Receive Done** - If set, indicates the successful completion of a receiver operation. Will not be set if a CRC, alignment, abort, or FIFO overrun error occurred. The status of this flag is controlled by the GSC.

**RSTAT.4 (CRCE) - CRC Error** - If set, indicates that a properly aligned frame was received with a mismatched CRC. The status of this flag is controlled by the GSC.

**RSTAT.5 (AE) - Alignment Error** - In CSMA/CD mode, AE is set if the receiver shift register (an internal serial-to-parallel converter) is not full and the CRC is bad when an EOF is detected. In CSMA/CD the EOF is a line idle condition (see LNI) for two bit times. If the CRC is correct while in CSMA/CD mode, AE is not set and any mis-alignment is assumed to be caused by dribble bits as the line went idle. In SDLC mode, AE is set if a non-byte-aligned flag is received. CRCE may also be set. The setting of this flag is controlled by the GSC.

**RSTAT.5 (AE) - Alignment Error** -In CSMA/CD mode, AE is set if the receiver shift register (an internal serial-to-parallel converter) is not full and the CRC is bad when an EOF is detected. In CSMA/CD the EOF is a line idle condition (see LNI) for two bit times. If the CRC is correct while in CSMA/CD mode, AE is not set and any mis-alignment is assumed to be caused by dribble bits as the line went idle. In SDLC mode, AE is set if a non-byte-aligned flag is received. CRCE may also be set. The setting of this flag is controlled by the GSC.

**RSTAT.6 (RCABT) - Receiver Collision/Abort Detect** - If set, indicates that a collision was detected after data had been loaded into the receive FIFO in CSMA/CD mode. In SDLC mode, RCABT indicates that 7 consecutive ones were detected prior to the end flag but after data has been loaded into the receive FIFO. AE may also be set. The setting of this flag is controlled by the GSC.

**RSTAT.7 (OVR) - Overrun** -If set, indicates that the receive FIFO was full and new shift register data was written into it. AE and/or CRCE may also be set. The setting of this flag is controlled by the GSC and it is cleared by user software.

**SLOTTM (0BH) - Slot Time** -Determines the length of the slot time used in CSMA/CD. A slot time equals (SLOTTM) X (1/ baud rate). A read of SLOTTM will give the value of the slot time timer but the value may be invalid as the timer is clocked asynchronously to the CPU. Loading SLOTTM with 0 results in 256 bit times.

# KS152JB Universal Communications Controller

## Technical Specifications

---

TCDCNT (0D4H) - Transmit Collision Detect Count Contains the number of collisions that have occurred if probabilistic CSMA/CD is used. The user software must clear this register before transmitting a new frame so that the GSC backoff hardware can accurately distinguish a new frame from a retransmit attempt.

In deterministic backoff mode, TCDCNT is used to hold the maximum number of slots.

TFIFO (85H) - GSC Transmit FIFO - TFIFO is a 3 byte buffer with an associated pointer that is automatically updated for each write by user software. Writing a byte to TFIFO loads the data into the next available location in the transmit FIFO. Setting TEN clears the transmit FIFO so the transmit FIFO should not be written to prior to setting TEN. If TEN is already set transmission begins as soon as data is written to TFIFO.

7	6	5	4	3	2	1	0
LNI	NOACK	UR	TCDT	TDN	TFNF	TEN	DMA

TSTAT (0D8) - Transmit Status Register

TSTAT.0 (DMA) - DMA Select - if set, indicates that DMA channels are used to service the GSC FIFO's and GSC interrupts occur on TDN and RDN, and also enables UR to become set. If cleared, indicates that the GSC is operating in its normal mode and interrupts occur on TFNF and RFNE. For more information on DMA servicing please refer to the DMA section on DMA serial demand mode (4.2.2.3). The user software is responsible for setting or clearing this flag.

TSTAT.1 (TEN) - Transmit Enable - When set causes TDN, UR, TCDT, and NOACK flag to be reset and the TFIFO cleared. The transmitter will clear TEN after a successful transmission, a collision during the data, CRC, or end flag. The user software is responsible for setting but the GSC or user software is responsible for setting but the GSC or user software may clear this flag. If cleared during a transmission the GSC transmit pin goes to a steady state high level. This is the method used to send an abort character in SDLC. Also  $\overline{DEN}$  is forced to a high level. The end of transmission occurs whenever the TFIFO is emptied.

TSTAT.2 (TFNF) - Transmit FIFO not full - When set, indicates that new data may be written into the transmit FIFO. The transmit FIFO is a three byte buffer that loads the transmit shift register with data. The status of this flag is controlled by the GSC.

TSTAT.3 (TDN) - Transmit Done -When set, indicates the successful completion of a frame transmission. If HABEN is set, TDN will not be set until the end of the IFS following the transmitted message, so that the acknowledge can be checked. If an acknowledge is expected and not

# KS152JB Universal Communications Controller

## Technical Specifications

---

received, TDN is not set. An acknowledge is not expected following a broadcast or multi-cast packet. The status of this flag is controlled by the GSC.

TSTAT.4(TCDT) - Transmit Collision Detect - If set, indicates that the transmitter halted due to a collision. It is set if a collision occurs during the data or CRC or if there are more than eight collisions. The status of this flag is controlled by the GSC.

TSTAT.5 (UR) - Underrun - If set, indicates that in DMA mode the last bit was shifted out of the transmit register and that the DMA byte count did not equal zero. When an underrun occurs, the transmitter halts without sending the CRC or the end flag. The status of this flag is controlled by the GSC.

TSTAT.6 (NOACK) - No Acknowledge - If set, indicates that no acknowledge was received for the previous frame. Will be set only if HABEN is set and no acknowledge is received prior to the end of the IFS. NOACK is not set following a broadcast or a multicast packet. The status of this flag is controlled by the GSC.

TSTAT.7(LNI) - Line Idle - If set, indicates the receive line is idle. In SDLC protocol it is set if 15 consecutive ones are received. In CSMA/CD protocol, line idle is set if GR x D remains high for approximately 1.6 bit times. LNI is cleared after a transition on GR X D. The status of this flag is controlled by the GSC.

# KS152JB Universal Communications Controller

## Technical Specifications

---

### **4.0 DMA Operation**

The C152 contains DMA (Direct Memory Accessing) logic to perform high speed data transfers between any two of

- Internal Data RAM
- Internal SFRs
- External Data RAM

In external RAM is involved, the Port 2 and Port 0 pins are used as the address/data bus, and  $\overline{RD}$  and  $\overline{WR}$  signals are generated as required.

Hardware is also implemented to generate a Hold Request signal and await a Hold Acknowledge response before commencing a DMA that involves external RAM.

Alternatively, The Hold/Hold Acknowledge hardware can be programed to accept a Hold Request signal from an external device and generate a Hold Acknowledge signal in response, to indicate to the requesting device that the C152 will not commence a DMA to or from external RAM while the Hold Request is active.

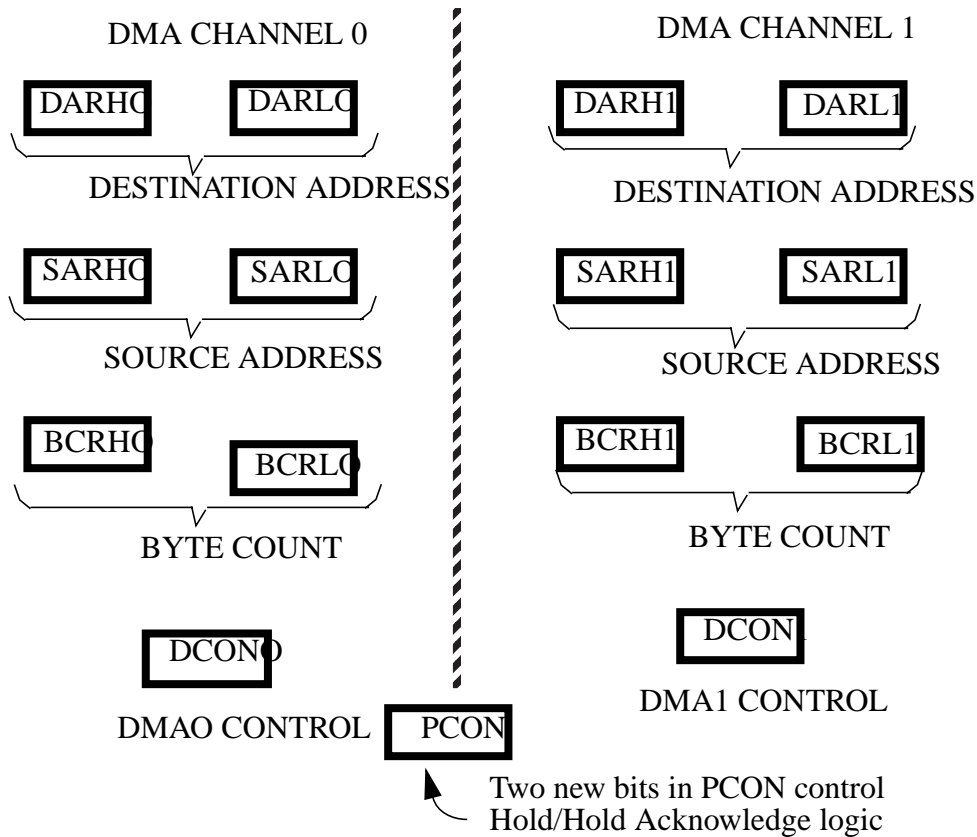
### **4.1 DMA with the 80C152**

The C152 contains two identical general purpose 8-bit DMA channels with 16-bit address ability: DMA0 and DAM1. DMA transfers can be executed by either channel independent of the other, but only by one channel at a time. During the time that a DMA transfer is being executed, program execution is suspended. A DMA transfer takes one machine cycle (12 oscillator periods) per byte transferred, except when the destination and source are both in External Data RAM. In that case the transfer takes two machine cycles per byte. The term DMA Cycle will be used to mean the transfer of a single data byte, whether it takes 1 or 2 machine cycles.

Associated with each channel are seven SFRs, shown below. SARLn and SARHn holds the low and high bytes of the source address. Taken together they form a 16-bit Source Address Register. DARLn and DARHn hold the low and high bytes of the destination address, and together form the Destination Address Register. BCRLn and BCRHn hold the low and high bytes of the number of bytes to be transferred, and together form the Byte Count Register. DCONn contains control and flag bits.

# KS152JB Universal Communications Controller

## Technical Specifications



### DMA Registers

Two bits in DCON<sub>n</sub> are used to specify the physical destination of the data transfer. These bits are DAS (Destination Address Space) and IDA (Increment Destination Address). If DAS = 0, the destination is in data memory external to the C152. If DAS = 1, the destination is internal to the C152. If DAS = 1 and IDA = 0, the internal destination is a Special Function Register (SFR). If DAS = 1 and IDA = 1, the internal destination is in the 256-byte data RAM.

In any case, if IDA = 1, the destination address is automatically incremented after each byte transfer. If IDA = 0, it is not.

Two other bits in DCON<sub>n</sub> specify the physical source of the data to be transferred. These are SAS (Source Address Space) and ISA (Increment Source Address). If SAS = 0, the source is in data memory external to the C152. If SAS = 1, the source is internal. If SAS = 1 and ISA = 0, the internal source is an SFR. If SAS = 1 and ISA = 1, the internal source is in the 256-byte data RAM.

In any case, if ISA = 1, the source address is automatically incremented after each byte transfer. If ISA = 0, it is not.

The functions of these four control bits are summarized below:

# KS152JB Universal Communications Controller

## Technical Specifications

---

DAS	IDA	Destination	Auto-Increment
0	0	External RAM	no
0	1	External RAM	yes
1	0	SFR	no
1	1	Internal RAM	yes
SAS	ISA	Source	Auto-Increment
0	0	External RAM	no
0	1	External RAM	yes
1	0	SFR	no
1	1	Internal RAM	yes

There are four modes in which the DMA channel can operate. These are selected by the bits DM and TM (Demand Mode and Transfer Mode) in DCONn:

DM	TM	Operating Mode
0	0	Alternate Cycles Mode
0	1	Burst Mode
1	0	Serial Port Demand Mode
1	1	External Demand Mode

The operating modes are described below.

### 4.1.1 ALTERNATE CYCLE MODE

In Alternate Cycles Mode the DMA is initiated by setting the GO bit in DCONn. Following the instruction that set the GO bit, one more instruction is executed, and then the first data byte is transferred from the source address to the destination address. Then another instruction is executed, and then another byte of data is transferred, and so on in this manner.

Each time a data byte is transferred, BCRn (Byte Count Register for DMA Channel n) is decremented. When it reaches 0000H, on-chip hardware clears the GO bit and sets the DONE bit, and the DMA ceases. The DONE bit flags an interrupt.

### 4.1.2 BURST MODE

Burst Mode differs from Alternate Cycles mode only in that once the data transfer has begun, program execution is entirely suspended until BCRn reaches 0000H, indicating that all data bytes that were to be transferred have been transferred. The interrupt control hardware remains active

# KS152JB Universal Communications Controller

## Technical Specifications

---

during the DMA, so interrupt flags may get set, but since program execution is suspended, the interrupts will not be serviced while the DMA is in progress.

### 4.1.3 SERIAL PORT DEMAND MODE

In this mode the DMA can be used to service the Local Serial Channel (LSC) or the Global Serial Channel (GSC).

In Serial Port Demand Mode the DMA is initiated by any of the following conditions, if the GO bit is set:

Source Address = SBUF	.AND.	RI = 1
Destination Address = SBUF	.AND.	TI = 1
Source Address = RFIFO	.AND.	RFNE = 1
Destination Address = TFIFO	.AND.	TFNF = 1

Each time one of the above conditions is met, one DMA Cycle is executed; that is, one data byte is transferred from the source address to the destination address. On-chip hardware then clears the flag (RI, TI, RFNE, or TFNF) that initiated the DMA, and decrements BCRn. Note that since the flag that initiated the DMA is cleared, it will not generate an interrupt unless DMA servicing may be held off when alternate cycle is being used or by the status of the HOLD/HLDA logic. In these situations the interrupt for the LSC may occur before the DMA can clear the RI or TI flag. This is because the LSC is serviced according to the status of RI and TI, whether or not the DMA channels are being used for the transferring of data. The GSC does not use RFNE or TFNF flags when using the DMA channels so these do not need to be disabled. When using the DMA channels to service the LSC it is recommended that the interrupts (RI and TI) be disabled. If the decremented BCRn is 0000H, on-chip hardware then clears the GO bit and sets the DONE bit. The DONE bit flags an interrupt.

### 4.1.4 EXTERNAL DEMAND MODE

In External Demand Mode the DMA is initiated by one of the External Interrupt pins, provided the GO bit is set.  $\overline{INT0}$  initiates a Channel 0 DMA, and  $\overline{INT1}$  initiates a Channel 1 DMA.

If the external interrupt is configured to be transition activated, then each 1-to-0 transition at the interrupt pin sets the corresponding external interrupt flag, and generates one DMA Cycle. Then, BCRn is decremented. No more DMA Cycles take place until another 1-to-0 transition is seen at the external interrupt pin. IF THE DECREMENTED bcrN = 0000H, on-chip hardware clears the GO bit and sets the DONE bit. If the external interrupt is enabled, it will be serviced.

If the external interrupt is configured to be level-activated, then DMA Cycles commence when the interrupt pin is pulled low, and continue for as long as the pin is held low and BCRn is not 0000H. If BCRn reaches 0 while the interrupt pin is still low, the GO bit is cleared, the DONE bit is set, and the DMA ceases. If the external interrupt is enabled, it will be serviced.

If the interrupt pin is pulled up before BCRn reaches 0000H, then the DMA ceases, but the GO bit

# KS152JB Universal Communications Controller

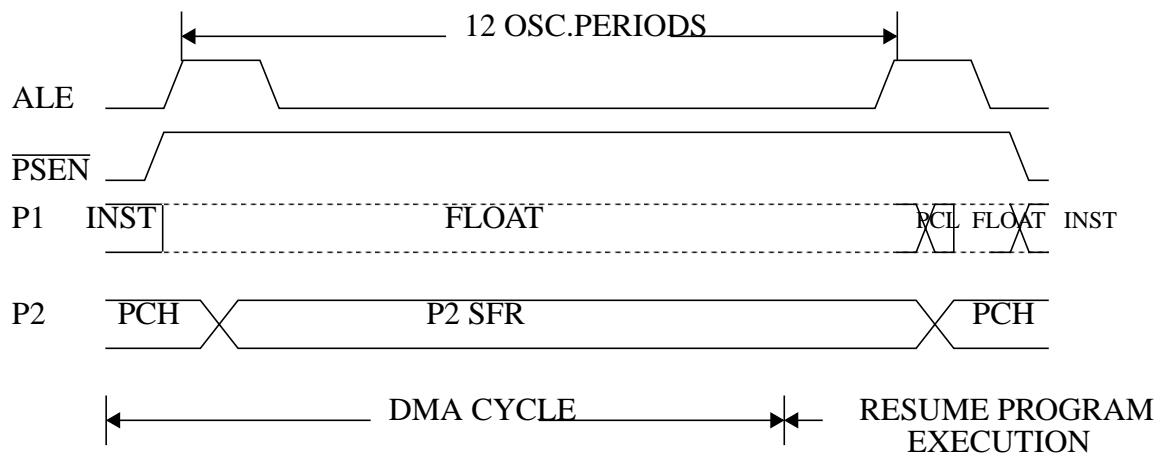
## Technical Specifications

is still 1 and the DONE bit is still 0. An external interrupt is not generated in this case, since in level-activated mode, pulling the pin to a logical 1 clears the interrupt flag. If the interrupt pin is then pulled low again, DMA transfers will continue from where they were previously stopped.

The timing for the DMA Cycle in the transition - activated mode, or for the first DMA Cycle in the level-activated mode is as follows: If the 1-to-0 transition is detected before the final machine cycle of the instruction in progress, then the DMA commences as soon as the instruction in progress is completed. Otherwise, one more instruction will be executed before the DMA starts. No instruction is executed during any DMA Cycle.

### 4.2 Timing Diagrams

Timing diagrams for single-byte DMA transfers are shown in following figures for four kinds of DMA Cycles: internal memory to internal memory, internal memory to external memory, external memory to internal memory, and external memory to external memory. In each case we assume the C152 is executing out of external program memory. If the C152 is executing out of internal program memory, the  $\overline{\text{PSEN}}$  is inactive, and the Port 0 and Port 2 pins emit P0 and P2 SFR data. If External Data Memory is involved, the Port 0 and Port 2 pins are used as the address/data bus, and  $\overline{\text{RD}}$  and /or  $\overline{\text{WR}}$  signals are generated as needed, in the same manner as in the execution of a MOVX @ DPTR instruction.



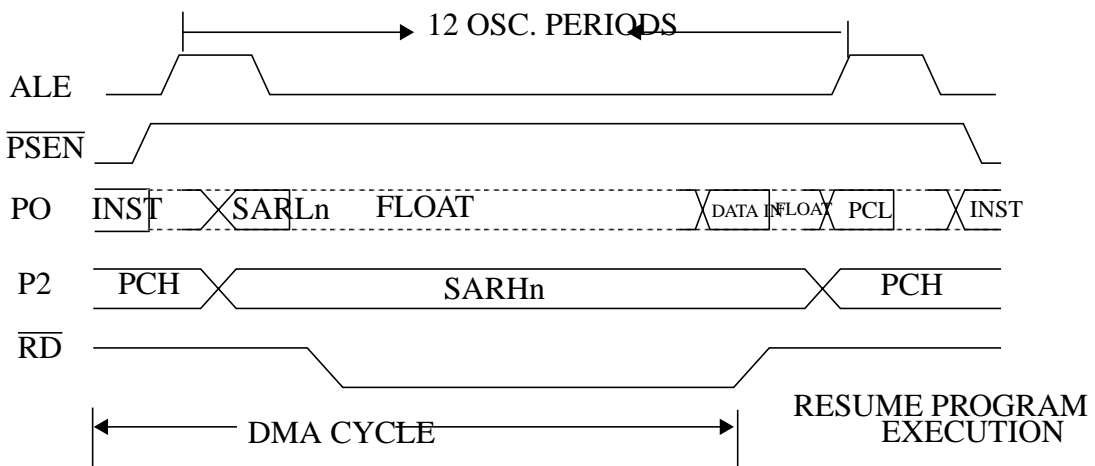
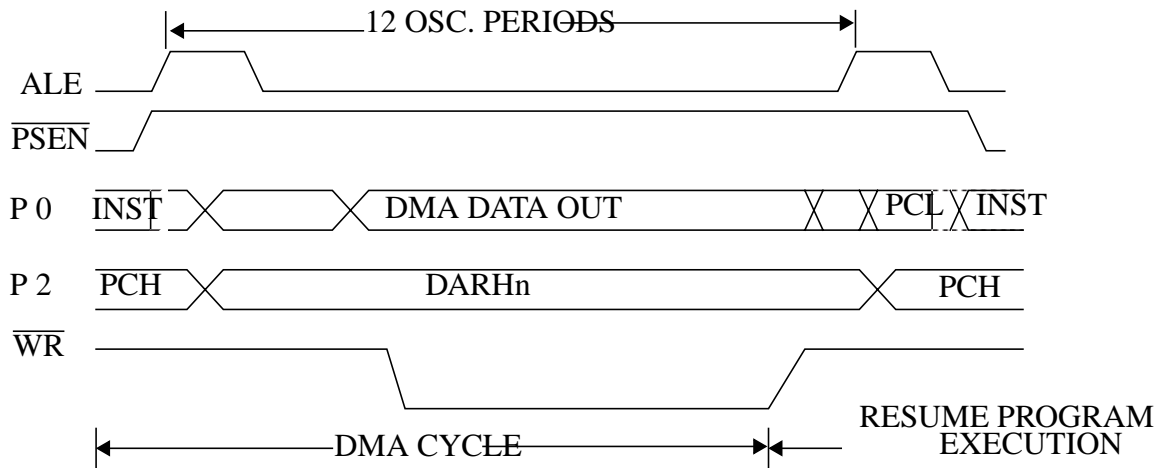
**DMA Transfer from Internal Memory to Internal Memory**



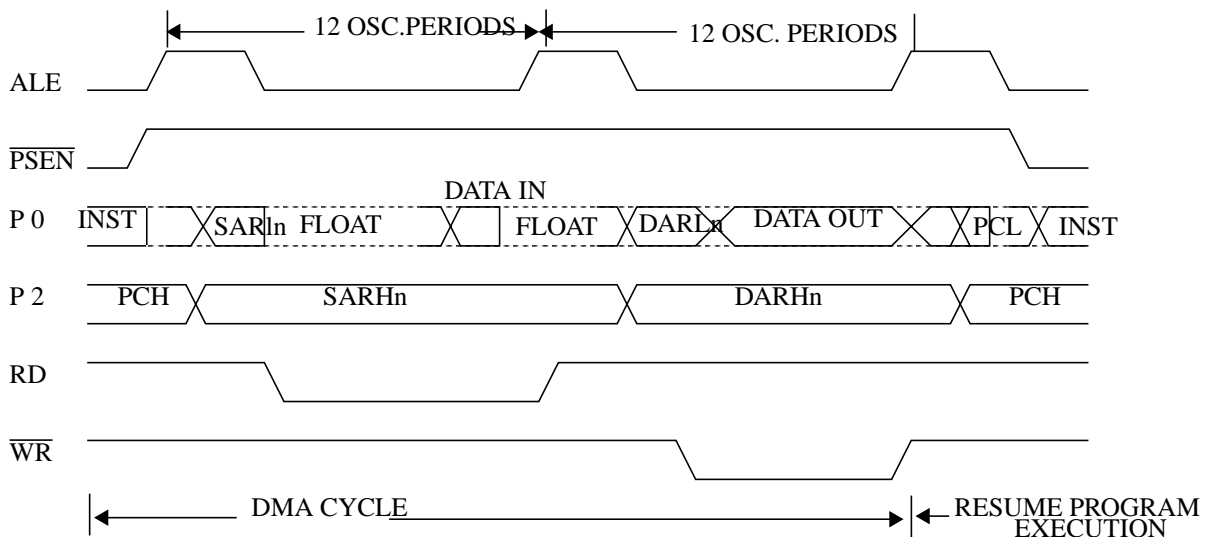
# KS152JB Universal Communications Controller

## Technical Specifications

DMA Transfer from Internal Memory to External Memory



DMA Transfer from External Memory to Internal Memory  
DMA Transfer from External Memory to External Memory



# KS152JB Universal Communications Controller

## Technical Specifications

---

### 4.3 Hold/Hold Acknowledge

Two operating modes of Hold/Hold Acknowledge logic are available, and either or neither may be invoked by software. In one mode, the C152 generates a Hold Request signal and awaits a Hold Acknowledge response before commencing a DMA that involves external RAM. This is called the Requester Mode.

In the other mode, the C152 accepts a Hold Request signal from an external device and generates a Hold Acknowledge signal in response, to indicate to the requesting device that the C152 will not commence a DMA to or from external RAM while the Hold Request is active. This is called the Arbiter mode.

#### 4.3.1 REQUEST MODE

The Requester Mode is selected by setting the control bit REQ, which resides in PCON. In that mode, when the C152 wants to do a DMA to External Data Memory, it first generates a Hold Request signal,  $\overline{\text{HLD}}$ , and waits for a Hold Acknowledge signal,  $\overline{\text{HLDA}}$ , before commencing the DMA operation. Note that program execution continues while  $\overline{\text{HLDA}}$  is awaited. The DMA is not begun until a logical 0 is detected at the  $\overline{\text{HLDA}}$  pin. Then, once the DMA has begun, it goes to completion regardless of the logic level at  $\overline{\text{HLDA}}$ .

The protocol is activated only for DMA (not for program fetches or MOVX operations), and only for DMAs to or from External Data Memory. If the data destination and source are both internal to the C152, the  $\overline{\text{HLD}}/\overline{\text{HLDA}}$  protocol is not used.

The  $\overline{\text{HLD}}$  output is an alternate function of port pin P1.5, and the HLDA input is an alternate function of port pin P1.6

#### 4.3.2 ARBITER MODE

For DMAs that are to be driven by some device other than the C152, a different version of the Hold/Hold Acknowledge protocol is available. In this version, the device which is to drive the DMA sends a Hold Request signal,  $\overline{\text{HLD}}$ , to the C152. If the C152 is currently performing a DMA to or from External Data Memory, it will complete this DMA before responding to the Hold Request. When the C152 responds to the Hold Request, it does so by activating a Hold Acknowledge signal,  $\overline{\text{HLDA}}$ . This indicates that the C152 will not commence a new DMA to or from External Data Memory while  $\overline{\text{HLD}}$  remains active.

Note that in the Arbiter Mode the C152 does not suspend program execution at all, even if it is executing from external program memory. It does not surrender use of its own bus.

The Hold Request input,  $\overline{\text{HLD}}$ , is at P1.5. The Hold Acknowledge output,  $\overline{\text{HLDA}}$ , is at P1.6. This version of the Hold/Hold Acknowledge feature is selected by setting the control bit ARB in PCON.

# KS152JB Universal Communications Controller

## Technical Specifications

The functions of the ARB and REQ bits in PCON, then, are

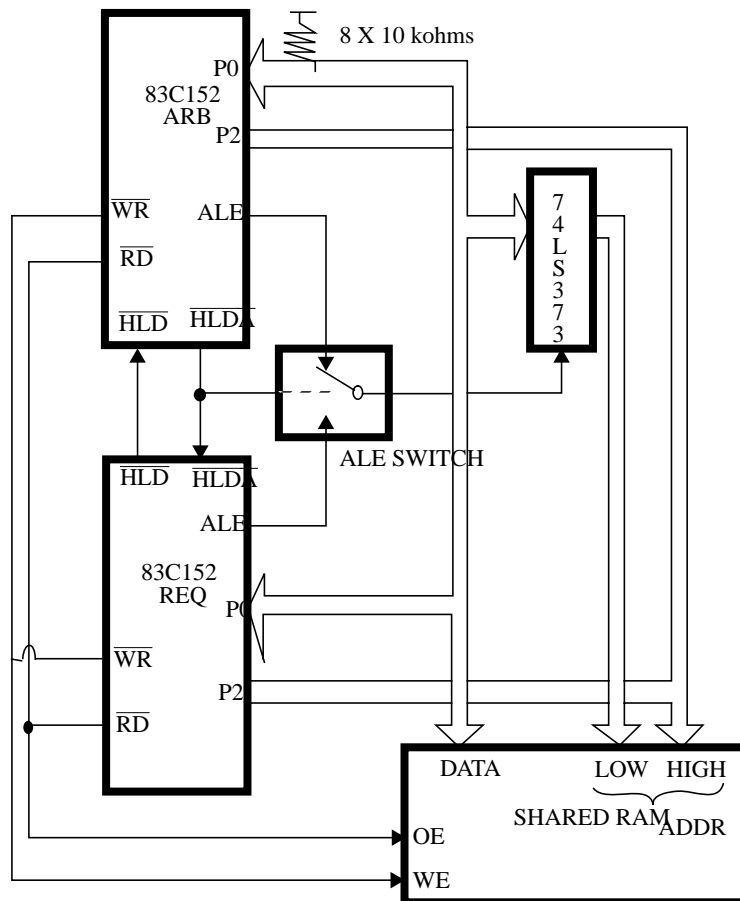
ARB	REQ	Hold/Hold Acknowledge Logic
0	0	Disabled
0	1	C152 generates HLD, detects HLDA
1	0	C152 detects HLD, generates HLDA
1	1	Invalid

### 4.3.3 USING THE HOLD/HLDA ACKNOWLEDGE

The  $\overline{\text{HOLD}}/\overline{\text{HOLDA}}$  logic only affects DMA operation with external RAM and don't affect other operations with external RAM, such as MOVX instruction.

Figure shows a system in which two 83C152s are sharing a global RAM. In this system, both CPUs are executing from internal ROM. Neither CPU uses the bus except to access the shared RAM, and such accesses are done only through DMA operations, not by MOVX instructions.

Two 83C152s Sharing External RAM



One CPU is programmed to be the Arbiter and the other, to be the Requester. The ALE Switch

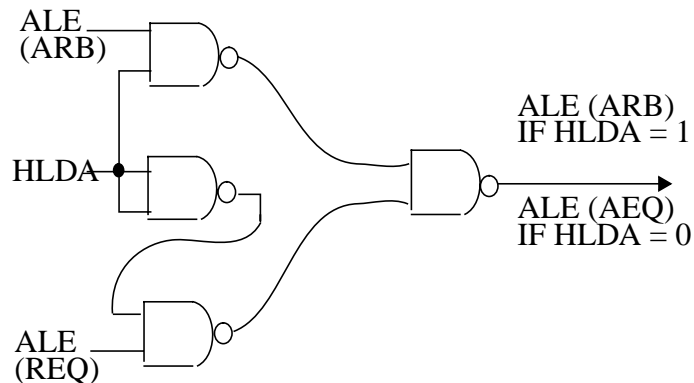
# KS152JB Universal Communications Controller

## Technical Specifications

---

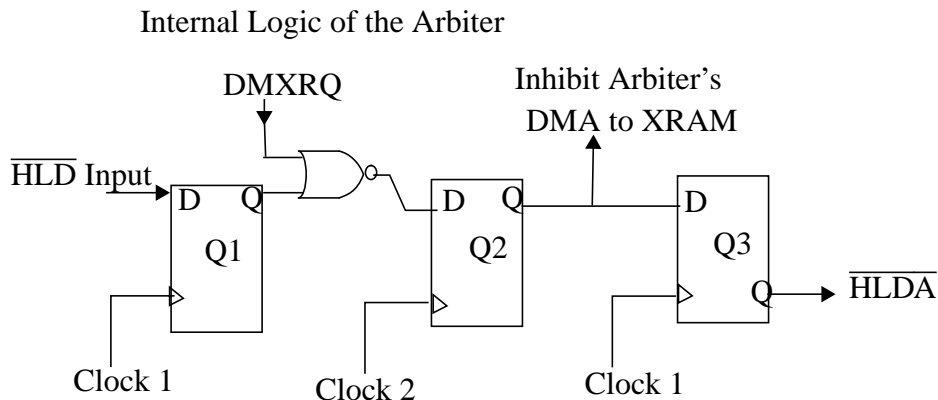
selects which CPU's ALE signal will be directed to the address latch. The Arbiter's ALE is selected if  $\overline{HLDA}$  is high, and the Requester's ALE is selected if  $\overline{HLDA}$  is low.

The ALE Switch logic can be implemented as shown in below.



### 4.3.4 INTERNAL LOGIC OF THE ARBITER

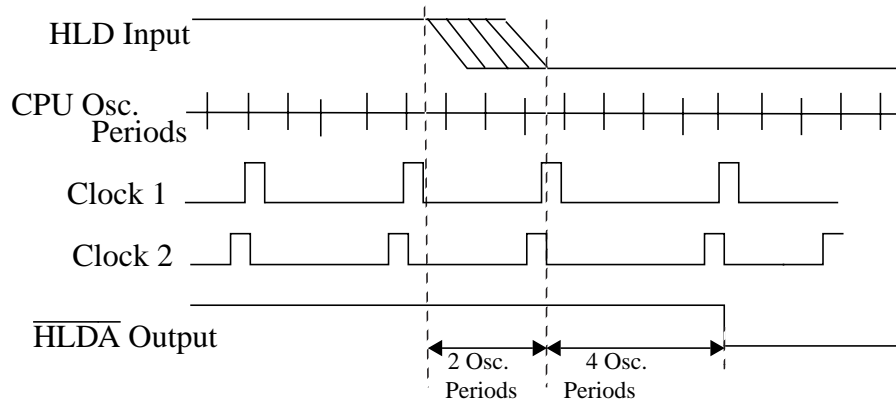
The internal logic of the arbiter is shown in figure below. In operation an input low at  $\overline{HLD}$  sets Q2 if the arbiter's internal signal DMXRQ is low. DMXRQ is the arbiter's "DMA to XRAM Request". Setting Q2 activates  $\overline{HLDA}$  through Q3. Q2 being set also disables any DMAs to XRAM that the arbiter might decide to do during the requester's DMA.



Waveform below shows the minimum response time, 4 to 7 CPU oscillator periods, between a transition at the  $\overline{HLD}$  input and the response at  $\overline{HLDA}$ .

# KS152JB Universal Communications Controller

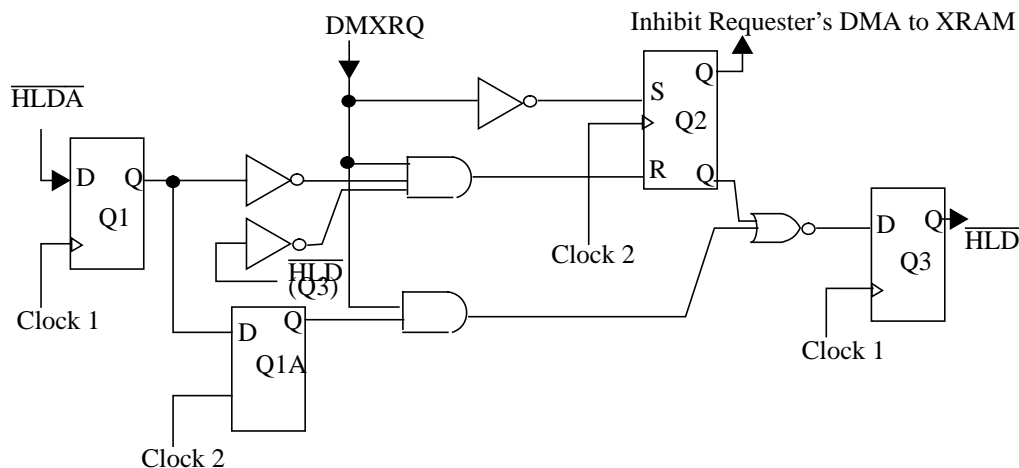
## Technical Specifications



When the arbiter wants to DMA the XRAM, it first activates DMXRQ. This signal prevents Q2 from being set if it is not already set. An output low from Q2 enables the arbiter to carry out its DMA to XRAM, and maintains an output high at  $\overline{\text{HLDA}}$ . When the arbiter completes its DMA, the signal DMXRQ goes to 0, which enables Q2 to accept signals from the  $\overline{\text{HLD}}$  input again.

### 4.3.5 Internal Logic of the Requester

The internal logic of the requester is shown below. Initially, the requester's internal signal DMXRQ (DMA to XRAM Request) is at 0, so Q2 is set and the  $\overline{\text{HLD}}$  output is high. As long as Q2 to be cleared (but doesn't clear it), and, if  $\overline{\text{HLDA}}$  is high, also activates the  $\overline{\text{HLD}}$  output.



A 1-to-0 transition from  $\overline{\text{HLDA}}$  can now clear Q2, which will enable the requester to commence its DMA to XRAM. Q2 being low also maintains an output low at  $\overline{\text{HLD}}$ . When the DMA is completed, DMXRQ goes to 0, which sets Q2 and de-activates  $\overline{\text{HLD}}$ .

Only DMXRQ going to 0 can set Q2. That means once Q2 gets cleared, enabling the requester's DMA to proceed, the arbiter has no way to stop the requester's DMA in progress. At this point, de-activating  $\overline{\text{HLDA}}$  will have no effect on the requester's use of the bus. Only the requester itself can stop the DMA in progress, and when it does, it de-activates both DMXRQ and  $\overline{\text{HLD}}$ .

# KS152JB Universal Communications Controller

## Technical Specifications

---

If the DMA is in alternate cycles mode, then each time DMA cycle is completed  $\overline{\text{DMXRQ}}$  goes to 0, thus de-activating  $\overline{\text{HLD}}$ . Once  $\overline{\text{HLD}}$  has been de-activate, it can't be re-asserted till after  $\overline{\text{HLDA}}$  has been to go high (through flip-flop Q1A). Thus every time the DMA is suspended to allow an instruction cycle to proceed, the requester gives up the bus and must renew the request and receive another acknowledge before another DMA cycle to XRAM can proceed. Obviously in this case, the "alternate cycles" mode may consist of single DMA cycles separated by any number of instruction cycles, depending on how long it takes the requester to regain the bus.

A channel 1 DMA in progress will always be overridden by a DMA request of any kind from channel 0. If a channel 1 DMA to XRAM is in progress and is over-ridden by a channel 0 DMA which does not require the bus,  $\overline{\text{DMXRQ}}$  will go to 0 during the channel 0 DMA, thus de-activating  $\overline{\text{HLD}}$ . Again, the requester must re-new its request for the bus, and must receive a new 1-to-0 transition in  $\overline{\text{HLDA}}$  before channel 1 can continue its DMA to XRAM.

### 4.4 DMA Arbitration

The DMA Arbitration described in this section is not arbitration between two devices wanting to access a shared RAM, but on-chip arbitration between the two DMA channels on the 8XC152.

The 8XC152 provides two DMA channels, either of which may be called into operation at any time in response to real time conditions in the application circuit. Since a DMA cycle always uses the 8XC152's internal bus, and there's only one internal bus, only one DMA channel can be serviced during a single DMA cycle. Executing program instructions also requires the internal bus, so program execution will also be suspended in order for a DMA to take place.

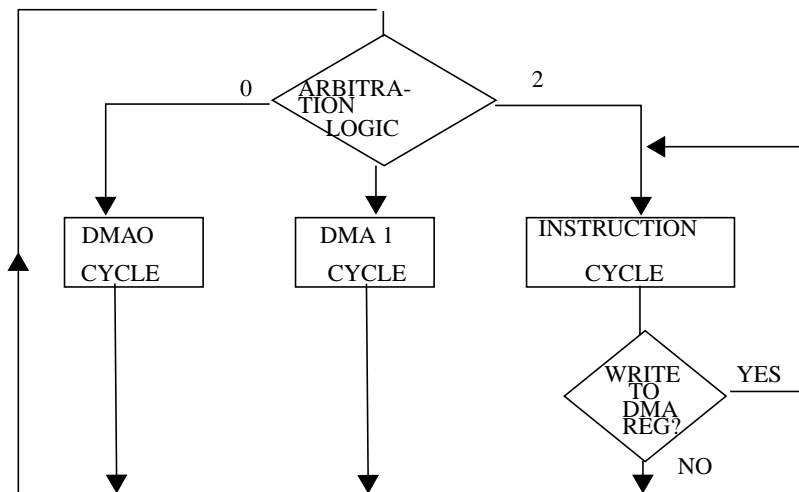


Figure above shows the three tasks to which the internal bus of the 8XC152 can be dedicated. In this figure, Instruction Cycle means the complete execution of a single instruction, whether it takes 1,2 or 4 machine cycles. DMA Cycle means the transfer of a single data byte from source to destination, whether it takes 1 or 2 machine cycles. Each time a DMA Cycle or an Instruction

# KS152JB Universal Communications Controller

## Technical Specifications

---

Cycle is executed, on-chip arbitration logic determines which type of cycle is to be executed next.

Note that when an instruction is executed, if the instruction wrote to a DMA register (excluding PCON), then another instruction is executed without further arbitration. Therefore, a single write or a series of writes to DMA registers will prevent a DMA from taking place, and will continue to prevent a DMA from taking place until at least one instruction is executed which does not write to any DMA register.

The logic that determines whether the next cycle will be a DMA0 cycle, a DMA1 cycle, or an Instruction Cycle is shown as a pseudo-HLL function. The statements are executed sequentially unless an “if” condition is satisfied, in which case the corresponding “return” is executed and the remainder of the function is not. The return value of 0,1, or 2 is passed to the arbitration logic block to determine which exit path from the block is used.

```
arbitration_logic :  
  
    if (G00 = 1.AND. mode_logic (0) = 1) return 0;  
    else if (G01 = 1.AND. mode_logic (1) = 1) return 1;  
    else return 2;  
end arbitration_logic;
```

# KS152JB Universal Communications Controller

## Technical Specifications

---

```
mode_logic (n)
    if (DCONn indicates burst_mode) return 1;
    else if (DCONn indicates external_demand_mode)
    {
        if (demand_flag = 1) return 1;
        else return 0;
    }
    else if (DCONn indicates SP_demand_mode)
    {
        if {SARn = SBUF .AND. RI = 1) return 1;
        else if (DARn = SBUF .AND. TI = 1) return 1;
        else if (SARn = RFIFO .AND. RFNE = 1) return 1;
        else if (DARn = TFIFO .AND. TFNE = 1 .AND.
            previous_cycle = instruction_cycle) return 1;
        else return 0;
    }
    else if (DCONn indicates alt_cycles_mode)
    {
        if (DCONm indicates .NOT. alt_cycles_mode
            .OR. G0m = 0)
        {
            if (previous_cycle = instruction-cycle) return 1;
            else return 0;
        }
        else if (previous_cycle = instruction_cycle
            .AND. previous_dma_cyle = .NOT. DMAAn)
            return 1;
        }
    return 0;
end mode_logic (n);
```

If the channel is configured to External Demand mode, then the first if-condition is not satisfied but the second one is. In that case the block of statements following that if-condition and delimited by {...} is executed: if the demand flag (IE0 for channel 0 and IE1 for channel 1) is set, the “return 1” expression is executed and the remainder of the function is not. If the demand flag is not set, the “return 0” expression is executed and the remainder of the function is not.

If the channel is configured to Serial Port Demand mode, the source and destination addresses, SARn and DARn, have to be checked to see which Serial Port buffer is being addressed, and whether its demand flag is set.

SARn refers to the 16-bit source address for “this channel”. Note that the condition “SARn = SBUF” cannot be true unless the SAS and IAS bits in DCONn are configured to select SFR space. If SARn is numerically equal to the address of SBUF(99H), and SAS and ISA are configured to select internal RAM rather than SFR space, then SARn refers to location 99H in the “upper 128” of internal RAM, not to SBUF.



# KS152JB Universal Communications Controller

## Technical Specifications

---

If the test for  $SAR_n = SBUF$  is true, and if the flag  $RI$  is set,  $mode\_logic(n)$  returns as 1 and the remainder of the function is not executed. Otherwise, execution proceeds to then exit if-condition, testing  $DAR_n$  against  $SBUF$  and  $T1$  against 1.

The same considerations regarding  $SAS$  and  $ISA$  in the  $SAR_n$  test are now applied to  $DAS$  and  $IDA$  in the  $DAR_n$  test. If  $SFR$  space isn't selected, no Serial Port buffer is being addressed.

Note that if DMA channel  $n$  is configured to Alternate Cycles mode, the logic must examine the other  $DCON$  register,  $DCON_m$ , to determine if the other channel is also configured to Alternate Cycles mode and whether its  $GO$  bit is set. In the previous figure, the symbol  $DCON_n$  refers to the  $DCON$  register for "this channel," and  $DCON_m$  refers to "the other channel."

A careful examination of the logic will reveal some idiosyncrasies that the user should be aware of. First, the logic allows sequential DMA cycles to be generated to service  $RFIFO$ , but not to service  $TFIFO$ . This idiosyncrasy is due to internal timing conflicts, and results in each individual DMA cycle to  $TFIFO$  having to be immediately preceded by an Instruction cycle. The logic disallows that there be two DMAs to  $TFIFO$  in a row.

If the user is unaware of this idiosyncrasy, it can cause problems in situations where one DMA channel is servicing  $TFIFO$  and the other is configured to a completely different mode of operation.

For example, consider the situation where channel 0 is configured to service  $TFIFO$  and channel 1 is configured to Alternate Cycles mode. Then DMAs to  $TFIFO$  will always override the alternate cycles of channel 1. If  $TFIFO$  needs more than 1 byte it will receive them in precedence over channel 1, but each DMA to  $TFIFO$  must be preceded by an Instruction cycle. The sequence of cycles might be:

DMA1 cycle  
Instruction cycle  
DMA 1 cycle, during which  $TFNF$  gets set  
Instruction cycle  
DMA0 cycle  
Instruction cycle  
DMA0 cycle, as a result of which  $TFNF$  gets cleared  
Instruction cycle  
DMA1 cycle  
Instruction cycle  
DMA1 cycle  
Instruction cycle  
.....

The requirement that a DMA to  $TFIFO$  be preceded by an Instruction cycle can result in the normal precedence of channel 0 over channel 1 being thwarted. Consider for example the situation where channel 0 is configured to service  $TFIFO$ , and is in the process of doing so, and channel 1

# KS152JB Universal Communications Controller

## Technical Specifications

---

decides it wants to do Burst mode DMA. The sequence of events might be:

Instruction cycle (sets GO bit in DCON1)  
Instruction cycle (during which TFNF gets set)  
DMA0 cycle  
DMA1 cycle  
DMA1 cycle  
DMA1 cycle  
.....  
DMA1 cycle (completes channel 1 burst)  
Instruction cycle  
DMA0 cycle  
Instruction cycle  
.....

This sequence begins with two Instruction cycles. The first one accesses a DMA register (DCON1), and therefore is followed by another Instruction cycle, which presumably does not access a DMA register. After the second Instruction cycle both channels are ready to generate DMA cycles, and channel 0 of course takes precedence. After the DMA0 cycle, channel 0 must wait for an Instruction cycle before it can access TFIFO again. Channel 1, being in Burst mode, doesn't have that restriction, and is therefore granted a DMA1 cycle. After the first DMA1 cycle, channel 0 is still waiting for an Instruction cycle and channel 1 still does not have that restriction. There follows another DMA1 cycle.

The result is that in this particular case channel 0 has to wait until channel 1 completes its Burst mode DMA, and then has to wait for an Instruction cycle to be generated, before it can continue its own DMA to TFIFO. The delay in servicing TFIFO can cause an Underflow condition in the GSC transmission.

The delay will not occur if channel 1 is configured to Alternate Cycles mode, since channel 0 would then see the Instruction cycles it needs to complete its logic requirements for asserting its request.

### 4.4.1 DMA Arbitration with Hold/Hold Ack

The Hold/Hold Acknowledge feature is invoked by setting either the ARB or REQ bit in PCON. Their effect is to add the requirements of the Hold/Hold Ack protocol to mode\_logic ( ). This amounts to replacing every expression "return 1" in with the expression "return hld\_hlda\_logic ( )", where hld\_hlda\_logic ( ) is a function which returns 1 if the Hold/Hold Ack protocol is satisfied, and returns 0 otherwise. A suitable definition for hld\_hlda\_logic ( ) is shown in Figure 4.14.

# KS152JB Universal Communications Controller

## Technical Specifications

---

```
hold_holda ( ):
    if (ARB = 0 .AND. REQ = 0) return 1;
    if SARn = XRAM .OR. DARn =XRAM)
    {
        if (ARB =1 .AND.  $\overline{\text{HLDA}}$  = 1) return 1;
        if (REQ = 1 .AND.  $\overline{\text{HLDA}}$  = 0) return 1;
        else return 0 ;
    }
    return 1;
end hold_holda( ) ;
```

### 4.5 Summary of DMA Control Bits

DCONs	DAS	IDA	SAS	ISA	DM	TM	DONE	GO
-------	-----	-----	-----	-----	----	----	------	----

DAS specifies the Destination Address Space. If DAS = 0, the destination is in External Data Memory. If DAS = 1 and IDA = 0, the destination is a Special Function Register (SFR). If DAS = 1 and IDA = 1, the destination is in Internal Data RAM.

IDA (Increment Destination Address) If IDA= 1, the destination address is automatically incremented after each byte transfer. If IDA = 0, It is not.

SAS specifies the Source Address Space. If SAS = 0, the source is in External Data Memory. If SAS = 1 and ISA = 0, the source is an SFR. If SAS = 1 and ISA = 0, the source is an SFR. If SAS = 1 and ISA = 1, the source is Internal Data RAM.

ISA (Increment Source Address) If ISA = 1, the source address is automatically incremented after each byte transfer. If ISA = 0, it is not.

DM (Demand Mode) If DM = 1, the DMA Channel operates in Demand Mode. In Demand Mode the DMA is initiated either by an external signal or by a Serial Port Flag, depending on the value of the TM bit. If DM = 0, the DMA is requested by setting the GO bit in software.

TM (Transfer Mode) If DM = 1 then TM selects whether a DMA is initiated by an external signal (TM = 1) or by a Serial Port flag (TM =0). If DM = 0 then TM selects whether the data transfers are to be in bursts (TM = 1) or in alternate cycles (TM = 0).

DONE indicates the completion of a DMA operation and flags an interrupt. It is set to 1 by on-chip hardware when BCRn = 0, and is cleared to 0 by on-chip hardware when the interrupt is vectored to. It can also be set or cleared by software.

GO is the enable bit for the DMA Channel itself. The DMA Channel is inactive if GO= 0.

# KS152JB Universal Communications Controller

## Technical Specifications

---

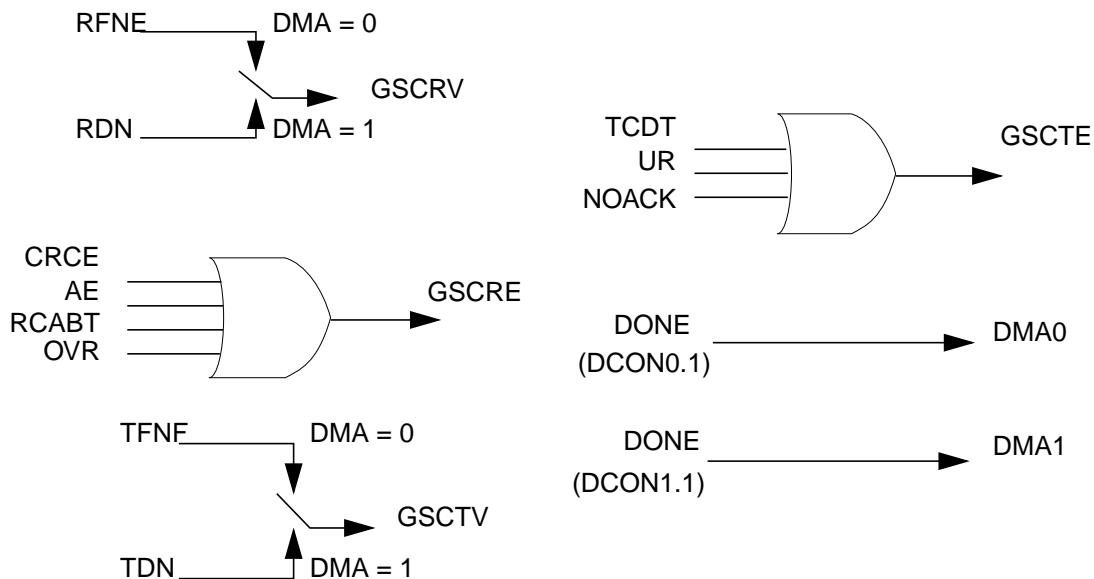
PCON	SMOD	ARB	REQ	GAREN	XRCLK	GFIEN	PDN	IDL
------	------	-----	-----	-------	-------	-------	-----	-----

ARB enables the DMA logic to detect  $\overline{\text{HLD}}$  and generate  $\overline{\text{HLDA}}$ . After it has activated  $\overline{\text{HLDA}}$ , the C152 will not begin a new DMA to or from External Data Memory as long as  $\overline{\text{HLD}}$  is seen to be active. This logic is disabled when ARB = 0, and enabled when ARB = 1.

REQ enables the DMA logic to generate  $\overline{\text{HLD}}$  and detect  $\overline{\text{HLDA}}$  before performing a DMA to or from External Data Memory. After it has activated  $\overline{\text{HLD}}$ , the C152 will not begin the DMA until  $\overline{\text{HLDA}}$  is seen to be active. This logic is disabled when REQ = 0, and enabled when REQ = 1.

### 5.0 INTERRUPT STRUCTURE

The 8XC152 retains all five interrupts of the 80C51BH. Six new interrupts are added in the 8XC152, to support its GSC and DMA features. They are all listed below, and the flag that generate them are shown in Figure below.



GSCRV - GSC Receive Valid  
 GSCRE - GSC Receive Error  
 GSCTV - GSC Transmit Valid  
 GSCTE - GSC Transmit Error  
 DMA0 - DMA Channel0 Done  
 DMA1 - DMA Channel1 Done

# KS152JB Universal Communications Controller

## Technical Specifications

---

As shown in Figure above, the Receive Valid interrupt can be signalled either by the RFNE flag (Receive FIFO Not Empty), or by the RDN flag (Receive Done). Which one of these flags causes the interrupt depends on the setting of the DMA bit in the SFR named TSTAT.

DMA = 0 means the DMA hardware is not configured to service the GSC, so the CPU will service it in software in response to the Receive FIFO not being empty. In that case, RFNE generates the Receive Valid interrupt.

DMA = 1 means the DMA hardware is configured to service the GSC, in which case the CPU need not be interrupted till the receive is complete. In that case RDN generates the Receive Valid interrupt.

Similarly the Transmit Valid interrupt can be signalled either by the TFNF flag (Transmit FIFO Not Full), or by the TDN flag (Transmit Done), depending on whether the DMA bit is 0 or 1.

Note that setting the DMA bit does not itself configure the DMA channels to service the GSC. That job must be done by software writes to the DMA registers. the DMA bit only selects whether the GSCRV and GSCTV interrupts are flagged by a FIFO needing service or by an “operation done” signal.

The Receive and Transmit Error interrupt flags are generated by the logical OR of a number of error conditions, which are described in Section 3.6.5.

Each interrupt is assigned a fixed location in Program Memory, and the interrupt causes the CPU to jump to that location. All the interrupt flags are sampled at S5P2 of every machine cycle, and then the samples are sequentially polled during the next machine cycle. If more than one interrupt of same priority is active, the one that is highest in the polling sequence is serviced first. The interrupts and their fixed locations in Program Memory are listed below in the order of their polling sequence

**Table 14:**

Interrupt	Location	Name
IE0	0003H	External Interrupt 0
GSCRV	002BH	GSC Receive Valid
TF0	000BH	Timer 0 Overflow
GSCRE	0033H	GSC Receive Error
DMA0	003BH	DMA channel 0 Done
IE1	0013H	External interrupt 1
GSCTV	0043H	GSC Transmit Valid

# KS152JB Universal Communications Controller

## Technical Specifications

---

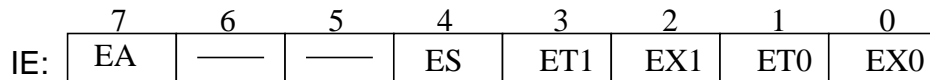
**Table 14:**

Interrupt	Location	Name
DMA1	0053H	DMA Channel 1 Done
TF1	001BH	Timer 1 Overflow
GSCTE	004BH	GSC Transmit Error
TI+RI	0023H	UART Transmit/Receive

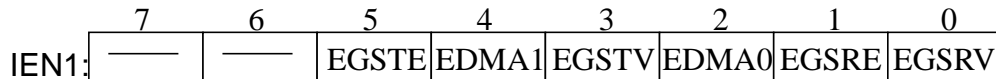
Note that the locations of the basic 8051 interrupts are the same as in the rest of the MCS-51 Family. And relative to each other they retain the same positions in the polling sequence.

The locations of the new interrupts all follow the locations the basic 8051 interrupts in the Program Memory, but they are interleaved with them in the polling sequence.

To support the new interrupts a second Interrupt Enable register and A second Interrupt Priority register are implemented in the bit-addressable register space. The two Interrupt Enable registers in the 8XC152 are as follows:



Address of IE in SFR space = 0A8H (bit-addressable)



Address of IE1 in SFR space = 0C8H (bit-addressable)

The bits in the IE are unchanged from the standard 8051 IE register. The bits in IEN1 are as follows:

EGSTE = 1 Enable GSC Transmit Error Interrupt  
= 0 Disable

EDMA1 = 1 Enable DMA Channel 1 Done Interrupt  
= 0 Disable

EGSTV = 1 Enable GSC Transmit Valid Interrupt  
= 0 Disable

EDMA0 = 1 Enable DMA Channel 0 Done Interrupt

# KS152JB Universal Communications Controller

## Technical Specifications

---

= 0 Disable

EGSRE = 1 Enable GSC Receive Error Interrupt  
= 0 Disable

EGSRV = 1 Enable GSC Receive Valid Interrupt  
= 0 Disable

The two Interrupt Priority registers in the 8XC152 are as follows:

	7	6	5	4	3	2	1	0
IP:	—	—	—	PS	PT1	PX1	PT0	PX0

Address of IP in SFR space = 0B8H (bit-addressable)

	7	6	5	4	3	2	1	0
IPN1:	—	—	PGSTE	PDMA1	PGSTV	PDMA0	PGSRE	PGSRV

Address of IPN1 in SFR space = 0F8H (bit -addressable)

The bits in IP are unchanged from the standard 8051 IP register. The bits in IPN1 are as follows:

PGSTE = 1 GSC Transmit Error Interrupt Priority to high  
= 0 Priority to Low

PDMA1 = 1 DMA Channel 1 Done Interrupt Priority to high  
= 0 Priority to Low

PGSTV = 1 GSC Transmit Valid Interrupt Priority to high  
= 0 Priority to Low

PDMA0 = 1 DMA Channel 0 Done Interrupt Priority to high  
= 0 Priority to Low

PGSRE = 1 GSC Receive Error Interrupt Priority to high  
= 0 Priority to Low

PGSRV = 1 GSC Receive Valid Interrupt Priority to high  
= 0 Priority to Low

Note that these registers all have unimplemented bits ("-"). If these bits are read, they will return unpredictable values. If they are written to, the value written goes nowhere.

# KS152JB Universal Communications Controller

## Technical Specifications

---

It is recommended that user software should never write 1s to unimplemented bits in MCS-51 devices. Further versions of the device may have new bits installed in these locations. If so, their reset value will be 0. Old software that writes 1s to newly implemented bits may unexpectedly invoke new features.

The MCS-51 interrupt structure provides hardware support for only two priority levels, High and Low. With as many interrupt sources as the 8XC152 has, it may be helpful to know how to augment the priority structure in the software. Any number of priority levels can be implemented in software by saving and redefining the interrupt enable registers within the interrupt service routines.

### 5.1 GSC Transmitter Error Conditions

The GSC Transmitter section reports three kinds of error conditions:

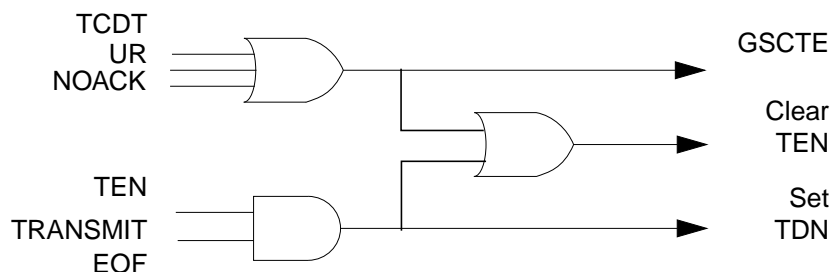
TCDT - Transmitter Collision Detector

UR - Underrun in Transmit FIFO

NOACK - No Acknowledge

These bits reside in the TSTAT register. User software can read them, but only the GSC hardware can write to them. The GSC hardware will set them in response to the various error conditions that they represent. When the user software sets the TEN bit, the GSC hardware will at that time clear these flags. This is the only way these flags can be cleared.

The logical OR of these three bits flags the GSC Transmit Error interrupt (GSCTE) and clears the TEN bit, as shown in Figure below. Thus any detected error condition aborts the transmission. No CRC bits are transmitted. In the SDLC mode an EOF is generated. In CSMA/CD mode an EOF is generated by default, since the GTXD pin is pulled to a logic 1 and held there.



Transmit Error Flags (Logic for Clearing TEN, Setting TDN)

The TCDT bit can get set only if the GSC is configured to CSMA/CD mode. In that case the GSC hardware sets the TCDT when a collision is detected during a transmission, and the collision was detected after TFIFO has been accessed. Also, the GSC hardware sets TCDT when a detected collision causes the TCDCNT register to overflow.



# KS152JB Universal Communications Controller

## Technical Specifications

---

The UR bit can be set only if the DMA bit in the TSTAT is set. The DMA bit being set informs the GSC hardware that TFIFO is being serviced by DMA. In that case if the GSC goes to fetch another byte from TFIFO and finds it empty, and the byte count register of the DMA channel servicing TFIFO is not zero, it sets the UR bit.

If the DMA hardware is not being used to service TFIFO, the UR bit cannot get set. If the DMA bit is 0, then when the GSC finds TFIFO empty, it assumes that the transmission of data is complete and the transmission of CRC bits can begin.

The NOACK bit is functional only in CSMA/CD mode, and only when the HABEN bit in RSTAT is set. The HABEN bit turns on the Hardware Based Acknowledge feature, as described in Section 3.2.6. If this feature is not invoked, the NOACK bit will stay at 0.

If the NOACK bit gets set, it means the GSC has completed a transmission, and was expecting to receive a hardware based acknowledge from the receiver of the message, but did not receive the acknowledge, or at least did not receive it cleanly. There are three ways the NOACK can get set:

1. The acknowledge signal (an unattached preamble) was not received before the IFS was complete.
2. A collision was detected during the IFS
3. The line was active during the last bit-time of the IFS

The first condition is an obvious reason for setting the NOACK bit, since that's what the hardware based acknowledge is for. The other two ways the NOACK bit can get set are to guard against the possibility that the transmitting station might mistake an unrelated transmission or transmission fragment for an acknowledge signal.

## **5.2 GSC Receiver Error Conditions**

The GSC Receiver section reports four kinds of error conditions:

CRCE - CRC error  
AE - Alignment Error  
RCABT - Receive Abort  
OVR - Overrun in Receive FIFO

These bits reside in the RSTAT register. User software can read them, but only GSC hardware can write to them. The GSC hardware will set them in response to the various error conditions that they represent. When user software sets the GREN bit, the GSC hardware will at that time clear these flags. This is the only way these flags can be cleared.

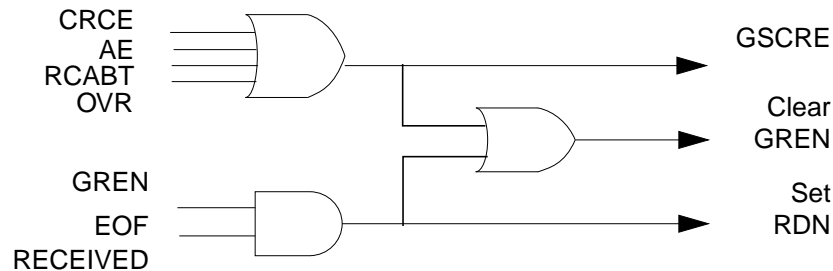
The logical OR of these four bits flags the GSC Receive Error interrupt (GSCRE) and clears the GREN bit, as shown in Figure below. Note in this figure that any error condition will prevent

# KS152JB Universal Communications Controller

## Technical Specifications

---

RDN from being set.



Receive Error Flag (Logic for Clearing GREN, Setting RDN)

A CRC Error means the CRC generator did not come to its correct value after calculating the CRC of the message plus received CRC. An alignment error means the number of bits received between the BOF and EOF was not a multiple of 8.

In SDLC mode, the CRC bit gets set at the end of any frame in which there is a CRC error, and the AE bit gets set at the end of any frame in which there is an Alignment Error.

In CSMA/CD mode, if there is no CRC Error, neither CRCE nor AE will get set. If there is a CRC error and no Alignment Error, the CRCE bit will get set, but not the AE bit. If there is both a CRC Error and an Alignment Error, then the AE bit will get set, but not the CRCE bit. Thus in CSMA/CD mode, the CRCE and AE bits are mutually exclusive.

The Receive Abort flag, RCABT, gets set if an incoming frame was interrupted after received data had already passed to the Receive FIFO. In the SDLC mode, this can happen if a line idle condition is detected before an EOF flag is. In CSMA/CD mode, this can happen if there is a collision. In either case, the CPU will have to re-initialize whatever pointers and counters it might have been using.

The Overrun Error flag, OVR, gets set if the GSC Receiver is ready to push a newly received byte onto the Receive FIFO, but the FIFO is full.

Up to 7 “dribble bits” can be received after the EOF without causing an error condition.

## 6.0 GLOSSARY

ADR0,1,2,3 (95H, 0A5H, 0B5H, 0C5H) - Address Match Registers 0, 1, 2, 3 - The contents of these SFR's are compared against the address bits from the serial data on the GSC. If the address matches the SFR, then the C152 accepts that frame. If in 8 bit addressing mode a match with any of the four registers will trigger acceptance. In the 16 bit addressing mode, a match with ADR1:ADR0 or ADR3:ADR2 will be accepted. Address length is determined by GMOD (AL).

AE - Alignment Error, see RSTAT.

# KS152JB Universal Communications Controller

## Technical Specifications

---

AL - Address Length, see GMOD.

AMSK0,1 (0D5H, 0E5H) - Address Match Mask 0,1 - Identifies which bits in ADR0,1 are “don’t care” bits. Setting a bit to 1 in AMSK0,1 identifies the corresponding bit in ADDR0,1 as not to be examined when comparing address.

BAUD - (94H) Contains the programmable value for the baud rate generator for the GSC. The baud rate will equal  $(f_{osc}) / ((BAUD+1) \times 8)$ .

BCRL0,1 (0E2H, 0F2H) - Byte Count Register Low 0,1 - Contains the lower byte of the byte count. Used during the DMA transfer to identify to the DMA channels when the transfer is complete.

BCRH0,1 (0E3H, 0F3H) - Byte Count Register High 0,1 - Contains the upper byte of the byte count.

BKOFF (0C4H) - Backoff Timer - The Backoff timer is an eight bit count-down timer with a clock period equal to one slot time. The Backoff time is used in CSMA/CD collision resolution algorithm.

BOF - Beginning of Frame Flag - A term commonly used when dealing packetized data. Signifies the beginning of a frame.

CRC - Cyclic Redundancy Check - An error checking routine that mathematically manipulates a value depending on the incoming data. The purpose is to identify when a frame has been received in error.

CRCE - CRC Error, See RSTAT.

CSMA/CD - Stands for Carrier Sense, Multiple Access, with Collision Detection.

CT- CRC Type, see GMOD.

DARL0/1 (0C2H, 0D2H) - Destination Address Register Low 0/1 - Contains the lower byte of the destinations’ address when performing DMA transfers.

DARH0/1 (0C3H, 0D3H) - Destination Address Register Low 0/1 - Contains the upper byte of the destinations’ address when performing DMA transfers.

DAS - Destination Address Space, see DCON.

DCJ - D.C.Jam, see MYSLOT.

# KS152JB Universal Communications Controller

## Technical Specifications

---

DCON0/1 (092H,093H)

7	6	5	4	3	2	1	0
DAS	IDA	SAS	ISA	DM	TM	DONE	GO

The DCON register control the operation of the DMA channels by determining the source of data to be transferred, the destination of the data to be transfer, and the various modes of operation.

**DCON.0 (GO)** - Enables DMA Transfer - When set it enables a DMA channel. If block mode is set then DMA transfer starts as soon as possible under CPU control. If demand mode is set then DMA transfer starts when a demand is asserted and recognized.

**DCON.1 (DONE)** - DMA Transfer is Complete - When set the DMA transfer is complete. It is set when BCR equals 0 and is automatically reset when the DMA vectors to its interrupt routine. If DMA interrupt is disabled and user software executes a jump on the DONE bit, then the user software must also reset the done bit. If DONE bit is not set, then the DMA transfer is not complete.

**DCON.2 (TM)** - Transfer Mode - When set, DMA burst transfers are used if the DMA channel is configured in the block mode or external interrupts are used to initiate a transfer if in Demand Mode. When TM is cleared, Alternate cycle transfers are used if DMA is in the Block Mode, or Local Serial Channel/GSC interrupts are used to initiate a transfer if in Demand Mode.

**DCON.3 (DM)** - DMA Channel Mode - When set, Demand Mode is used and when cleared Block Mode is used.

**DCON.4 (ISA)** - Increment Source Address - When set, the source address registers are automatically incremented during each transfer. When cleared the source registers are not incremented.

**DCON.5 (SAS)** - Source Address Space - When set the source of data for the DMA transfers is internal data memory if autoincrement is also set. If auto increment is not set but SAS is, then the source for the data will be one of the Special Function Register. When SAS is cleared, the source for the data is external data memory.

**DCON.6 (IDA)** - Increment destination Address Space - When set, destination address registers are incremented once after each byte is transferred. When cleared, the destination address registers are not automatically incremented.

**DCON.7 (DAS)** - Destination Address Space - When set, destination of data to be transferred is internal data memory if autoincrement mode is also set. If auto increment is not set the destination will be one of the Special Function Registers. When DAS is cleared then the destination is external data memory

**DCR** - Deterministic Resolution, see MYSLOT.

$\overline{\text{DEN}}$  - An alternate function of one of the port 1 pins (P1.2). Its purpose is to enable external drivers when the GSC is transmitting data. This function is always active when using the GSC and if

# KS152JB Universal Communications Controller

## Technical Specifications

---

P1.2 is programmed to a 1.

DM - DMA Mode, see DCON0

DMA - Direct Memory Access mode, see TSTAT.

DONE - DMA done bit, see DCON0.

DPH - Data Pointer High, an SFR that contains the high order byte of a general purpose pointer called the data pointer(DPTR).

DPL - Data Pointer Low, an SFR that contains the low order byte of the data pointer.

EDMA0 - Enable DMA Channel 0 interrupt, see IEN1.

EDMA1 - Enable DMA Channel 1 interrupt, see IEN1.

EGSRE - Enable GSC Receive Error interrupt, see IEN1.

EGSRV - Enable GSC Receive Valid interrupt, see IEN1.

EGSTE - Enable GSC Transmit Error interrupt, see IEN1.

EGSTV - Enable GSC Transmit Valid interrupt, see IEN1.

EOF - A general term used in serial communications. Eof stands for End Of Frame and signifies when the last bits of data are transmitted when using packetized data.

ES - Enable LSC service interrupt, see IE.

ET0 - Enable Timer 0 interrupt, see IE.

ET1 - Enable Timer 1 interrupt, see IE.

EX0 - Enable External interrupt 0, see IE.

### GMOD (84H)

7	6	5	4	3	2	1	0
XTCLK	M1	M0	AL	CT	PL1	PL0	PR

The bits in this SFR, perform most of the configuration on the type of data transfers to be used with the GSC. Determines the mode, address length, preamble length, protocol select, and enables the external clocking of the transmit data.

# KS152JB Universal Communications Controller

## Technical Specifications

---

GMOD.0 (PR) - Protocol - If set SDLC protocols with NRZI encoding, zero bit insertion, and SDLC flags are used. If cleared, CSMA/CD link access with Manchester encoding is used.

GMOD.1,2 (PL0,1) - Preamble length

PL1 PL0 LENGTH (BITS)

0	0	0
0	1	8
1	0	32
1	1	64

The length includes the two bit Begin of Frame (BOF) flag in CSMA/CD but does not include SDLC flag. In SDLC mode, the BOF is an SDLC flag, otherwise it is two consecutive ones. Zero length is not compatible in CSMA/CD mode.

GMOD.3 (CT) - CRC Type - If set, 32 bit AUTODIN-II-32 is used. If cleared, 16 bit CRC-CCITT is used.

GMOD.4 (AL) - Address Length - If set, 16 bit addressing is used. In 8 bit mode, a match with any of the 4 address registers will allow the frame to be accepted (ADR0, ADR1, ADR2, ADR3). “Don’t Care” bits may be masked in ADR0 and ADR1 with AMSK0 and AMSK1. In 16 bit mode, address are matched against “ADR1:ADR0” or “ADR3:ADR2”. Again don’t care bits in ADR1:ADR0 can be masked in AMSK1:AMSK0. A received address of all ones will be always be recognized in any mode.

GMOD.5,6 (M0,M1) - Mode select - Two test modes, an optional “alternate backoff” mode, or normal backoff can be enabled with these two bits.

M1 M0 Mode

0	0	Normal
0	1	Raw Transmit
1	0	Raw Receive
1	1	Alternate Backoff

GMOD.7 (XTCLK) - External Transmit Clock - If set an external 1X clock is used the transmitter. If cleared the internal baud rate generator provides the transmit clock. The input clock is applied to the P1.3 ( $\overline{\text{TxC}}$ ). The user software is responsible for setting or clearing this flag. External receive clock is enabled by setting PCON.3

GO - DMA Go bit, see DCON0.

GRxD - GSC Receive Data input, an alternate function of one of the port 1 pins (PI.0). This pin is used as the receive input for the GSC. P1.0 must be programmed to a 1 for this function to operate.

GSC - Global Serial Channel - A high level, multi-protocol, serial communication controller

# KS152JB Universal Communications Controller

## Technical Specifications

---

added to the 8051BH core to accomplish high-speed transfers of packetized serial data.

GTxD - GSC Transmit Data output, an alternate function of one of the port 1 pins (P1.1). This pin is used as the transmit output for the GSC. P1.1 must be programmed to a 1 for this function to operate.

HBAEN - Hard Ware Based Acknowledge Enable, see RSTAT.

HLDA - Hold Acknowledge, an alternate function of one of the port 1 pins (P1.6). This pin is used to perform the “HOLD ACKNOWLEDGE” function for DMA transfers. HLDA can be an input or an output, depending on the configuration of the DMA channels. P1.6 must be programmed to a logic 1 for this function to operate.

HOLD - Hold, an alternate function of one of the port 1 pins (P1.5). This pin is used to perform the “HOLD” function for the DMA transfers. HOLD can be an input or an output, depending on the configuration of the DMA channels. P1.5 must be programmed to a logic 1 for this function to operate.

IDA - Increment Destination Address, see DCON0.

IE (0A8H)

7	6	5	4	3	2	1	0
EA			ES	ET1	EX1	ET0	EX0

Interrupt Enable SFR, used to individually enable the Timer and Local Serial Channel interrupts. Also contains the global enable bit which must be set to a 1 to enable any interrupt to be automatically recognized by the CPU.

IE.0 (EX0) - Enables the external interrupt  $\overline{\text{INT0}}$  on P3.2.

IE.1 (ET0) - Enables the Timer0 interrupt.

IE.2 (EX1) - Enables the external interrupt  $\overline{\text{INT1}}$  on P3.3.

IE.3 (ET1) - Enables the Timer 1 interrupt.

IE.4 (ES) - Enable the Local Serial Channel interrupt.

IE.7 (EA) - The global interrupt enable bit. This bit must be set to a 1 for any other interrupt to be enabled.

# KS152JB Universal Communications Controller

## Technical Specifications

---

IEN1 (0C8H)

7	6	5	4	3	2	1	0
		EGSTE	EDMA1	EGSTV	EDMA0	EGSRE	EGSRV

Interrupt enable register for DMA and GSC interrupts. A 1 in any bit position enables that interrupt.

IEN1.0 (EGSRV) - Enables the GSC valid receive interrupt.

IEN1.1 (EGSRE) - Enables the GSC receive error interrupt.

IEN1.2 (EDMA0) - Enables the DMA done interrupt for channel 0.

IEN1.3 (EGSTV) - Enables the GSC valid transmit interrupt.

IEN1.4 (EDMA1) - Enables the DMA done interrupt for Channel1.

IEN1.5 (EGSTE) - Enables the GSC transmit error interrupt.

IFS - (0A4H) Interframe Space, determines the number of bit times separating transmitted frames in CSMA/CD and SDLC.

IP (0B8H)

7	6	5	4	3	2	1	0
			PS	PT1	PX1	PT0	EX0

Allows the user software two levels of prioritization to be assigned to each of the interrupts in IE. A 1 assigns the corresponding interrupt in IE a higher interrupt than an interrupt with a corresponding 0.

IP.0 (PX0) - Assigns priority of external interrupt,  $\overline{\text{INT0}}$ .

IP.1 (PT0) - Assigns the priority of Timer 0 interrupt, T0.

IP.2 (PX1) - Assigns priority of external interrupt,  $\overline{\text{INT1}}$ .

IP.3 (PT1) - Assigns the priority of Timer1 interrupt, T1.

IP.4 (PS) - Assigns the priority of the LSC interrupt, SBUF.



# KS152JB Universal Communications Controller

## Technical Specifications

---

IPN1 (0F8H)

7	6	5	4	3	2	1	0
		PGSTE	PDMA1	PGSTV	PDMA0	PGSRE	PGSRV

Allows the user software two levels of prioritization to be assigned to each of the interrupts in IEN1. A 1 assigns the corresponding interrupt in IEN1 a higher interrupt than an interrupt with a corresponding 0.

IPN1.0 (PGSRV) - Assigns the priority of GSC receive valid interrupt.

IPN1.1 (PGSRE) - Assigns the priority of GSC error receive interrupt.

IPN1.2 (PDMA0) - Assigns the priority of DMA done interrupt for Channel 0.

IPN1.3 (PGSTV) - Assigns the priority of GSC transmit valid interrupt.

IPN1.4 (PDMA1) - Assigns the priority of DMA done interrupt for Channel 1.

IPN1.5 (PGSTE) - Assigns the priority of GSC transmit error interrupt.

ISA - Increment Source Address, see DCON0.

LNI - Line Idle, see TSTAT.

LSC - Local Serial Channel - The asynchronous serial port found on all MCS-51 devices. Uses start/stop bits and can transfer only 1 bit at a time.

M0 - One of two GSC mode bits, see TMOD.

M1 - One of the two GSC mode bits, see TMOD.

MYSLOT - (0F5H)

7	6	5	4	3	2	1	0
DCJ	DCR	SA5	SA4	SA3	SA2	SA1	SA0

Determines which type of Jam is used, which backoff algorithm is used and DCR slot address for the GSC.

MYSLOT.0,1,2,3,4,5 (SA0,1,2,3,4,5) - These bits determine which slot address is assigned to the C152 when deterministic backoff during CSMA/CD operations on the GSC. Maximum slots available is 63. An address of 00H prevents that station from participating in the backoff process.

MYSLOT.6 (DCR) - Determines which collision resolution algorithm is used. If set to 1, then the deterministic backoff is used. If cleared, then a random slot assignment is used.

# KS152JB Universal Communications Controller

## Technical Specifications

---

MYSLOT.7 (DCJ) - Determines the type of Jam used during CSMA/CD operation when a collision occurs. If set to a 1 then a low D.C level is used as the jam signal. If cleared, then  $\overline{\text{CRC}}$  is used as the jam signal. The jam is applied for a length of time equal to the CRC length.

NOACK - No Acknowledgment error bit, see TSTAT.

NRZI - Non-Return to Zero Inverted, a type of data encoding where a 0 is represented by a change in the level of the serial link. A 1 is represented by no change.

OVR - Overrun Error bit, see RSTAT.

PR - Protocol select bit, see GMOD.

PCON (87H)							
7	6	5	4	3	2	1	0
SMOD	ARB	REQ	GAREN	XRCLK	GFIEN	PD	IDL

PCON.0 (IDL) - Idle bit, used to place the C152 into the idle power saving mode.

PCON.1 (PD) - Power Down bit, used to place the C152 into the power down power saving mode.

PCON.2 (GFIEN) - GSC Flag Idle Enable bit, when set, enables idle flags (01111110) to be generated between transmitted frames in SDLC mode.

PCON.3 (XRCLK) - External Receive Clock bit, used to enable an external clock to be used for only the receiver portion of the GSC.

PCON.4 (GAREN) - GSC Auxiliary Receive Enable bit, used to enable the GSC to receive back-to-back SDLC frames. This bit has no effect in CSMA/CD mode.

PCON.5 (REQ) - Requester mode bit, set to a 1 when C152 is to be operated as the requester station during DMA transfers.

PCON.6 (ARB) - Arbiter mode bit, set to a 1 when C152 is to be operated as the arbiter during DMA transfers.

PCON.7 (SMOD) - LSC mode bit, used to double the baud rate on the LSC.

PDMA0 - Priority bit for DMA Channel 0 interrupt, see IPN1.

PDMA1 - Priority bit for DMA Channel 1 interrupt, see IPN1.

PGSRE - Priority bit for GSC Receive Error interrupt, see IPN1.

# KS152JB Universal Communications Controller

## Technical Specifications

---

PGSRV - Priority bit for GSC Receive Valid interrupt see IPN1.

PGSTE - Priority bit for GSC Transmit Valid interrupt, see IPN1.

PL0 - One of the two bits that determines the Preamble Length, see GMOD.

PL1 - One of the two bits that determines the Preamble Length, see GMOD.

PRBS - (0E4H) - Pseudo-Random Binary Sequence generates the pseudo-random number to be used in CSMA/CD backoff algorithms.

PS - Priority bit for the LSC service interrupt, see IP.

PT0 - Priority bit for Timer 0 interrupt, see IP.

PT1 - Priority bit for Timer 1 interrupt, see IP.

PX0 - Priority bit for External Interrupt 0, see IP.

PX1 - Priority bit for External interrupt 1, see IP.

RCABT - GSC Receive Abort error bit, see RSTAT.

RDN - GSC Receive Done bit, see RSTAT.

GREN - GSC Receive Enable bit, see RSTAT.

RFNE - GSC Receive FIFO Not Empty bit, see RSTAT.

RI - LSC Receive Interrupt bit, see SCON.

RFIFO - (F4H) - RFIFO is a 3-byte FIFO that contains the receive data from GSC.

RSTAT (0E8H) - Receive Status Register

7	6	5	4	3	2	1	0
OVR	RCABT	AE	CRCE	RDN	RFNE	GREN	HABEN

RSTAT.0 (HABEN) - Hardware Based Acknowledge Enable - If set, enables the hardware based acknowledge feature.

RSTAT.1 (GREN) - Receiver Enable - When set, the receiver is enabled to accept incoming frames. The user must clear RFIFO with software before enabling the receiver. RFIFO is cleared by reading the contents of RFIFO until RFNE = 0. After each read of RFIFO, it takes one machine cycle for the status of RFNE to be updated. Setting GREN also clears RDN, CRCE, AE and RCABT. GREN is cleared by hardware at the end of a reception or if any receive errors are detected. The status of

# KS152JB Universal Communications Controller

## Technical Specifications

---

GREN has no effect on whether the receiver detects a collision in CSMA/CD mode as the receiver input circuitry always monitors the receive pin.

RSTAT.2 (RFNE) - Receive FIFO Not Empty - If set, indicates that the receive FIFO contains data. The receive FIFO is a three byte buffer into which the receive data is loaded. A CPU read of the FIFO retrieves the oldest data and automatically updates the FIFO pointers. Setting GREN to a one will clear the receive FIFO. The status of this flag is controlled by the GSC. This bit is cleared if the user software empties receive FIFO.

RSTAT.3 (RDN) - Receive Done - If set, indicates the successful completion of a receiver operation. Will not be set if a CRC, alignment, abort or FIFO overrun error occurred.

RSTAT.4 (CRCE) - CRC Error - If set, indicates that a properly aligned frame was received with a mismatched CRC.

RSTAT.5 (AE) - Alignment Error - In CSMA/CD mode, AE is set if the receiver shift register (an internal serial-to-parallel converter) is not full and CRC is bad when an EOF is detected. In CSMA/CD the EOF is a line idle condition (see LNI) for two bit times. If the CRC is correct while in CSMA/CD mode, AE bit is not set and any mis-alignment is assumed to be caused by dribble bits as the line went idle. In SDLC mode, AE is set if a non-byte-aligned flag is received. CRC may also be set. The setting of this flag is controlled by the GSC.

RSTAT.6 (RCABT) - Receiver Collision/Abort Detect - If set, indicates a collision was detected after data had been loaded into the receive FIFO in CSMA/CD mode. In SDLC mode, RCABT indicates that 7 consecutive 1's were detected prior to the end of flag but after data has been loaded into the receive FIFO. AE may also be set if RCABT is set.

RSTAT.7 (OVR) - Overrun - If set, indicates that the receive FIFO was full and new shift register data was written into it. It is cleared by the user software. AE and/or CRCE may also be set if OVR is set.

SARH0 (0A3H) - Source Address Register High 0, contains the high byte of the source address for the DMA Channel 0.

SARH1 (0B3H) - Source Address Register High 1, contains the high byte of the source address for the DMA Channel 1.

SARL0 (0A2H) - Source Address Register Low 0, contains the low byte of the source address for the DMA Channel 0.

SARL1 (0B2H) - Source Address Register Low 1, contains the low byte of the source address for the DMA Channel 1.

SAS - Source Address Space bit, see DCON0.

SBUF (099H) - Serial Buffer, both the receive and transmit SFR location for the LSC.

# KS152JB Universal Communications Controller

## Technical Specifications

---

SCON (098H)

7	6	5	4	3	2	1	0
SM0	SM1	SM2	REN	TB8	RB8	TI	RI

SCON.0 (RI) - Receive Interrupt Flag.

SCON.1 - Transmit Interrupt Flag.

SCON.2 (RB8) - Receive Bit 8, contains the ninth bit that was received in Modes 2 and 3 and stop bit in Mode 1 if SM20. Not used in Mode 0.

SCON.3 (TB8) - Transmit Bit 8, the ninth bit to be transmitted in Modes 2 and 3.

SCON.4 (REN) - Receive Enable, enables reception for the LSC.

SCON.5 (SM2) - Enables the multiprocessor communication feature in Modes 2 and 3 for the LSC.

SCON.6 (SM1) - LSC mode specifier.

SCON.7 (SM2) - LSC mode specifier.

SDLC - Stands for synchronous Data Link Communication and is a protocol developed by IBM.

SLOTTM - (0B4H) Determines the length of the slot time in CSMA/CD.

SP (081H) - Stack Pointer, an eight bit pointer register used during a PUSH, POP, CALL, RET or RETI.

TCDCNT (0D4H) Contains the number of collisions in the current frame if using probabilistic CSMA/CD and contains the maximum number of slots in the deterministic mode.

TCDT - Transmit Collision Detect, see TSTAT.

TCON (088H)

7	6	5	4	3	2	1	0
TF1	TR1	TF0	TR0	IE1	IT1	IE0	IT0

TCON.0 (IT0) - Interrupt 0 mode control bit.

TCON.1 (IE0) - External interrupt 0 edge flag.

TCON.2 (IT1) - Interrupt 1 mode control bit.

# KS152JB Universal Communications Controller

## Technical Specifications

---

TCON.3 (IE1) - External Interrupt 1 edge flag.

TCON.4 (TR0) - Timer 0 run control bit.

TCON.5 (TF0) - Timer 0 overflow flag.

TCON.6 (TR1) - Transmit Done flag, see TSTAT.

TCON.7 (TF1) - Timer 1 overflow flag.

TDN - Transmit Done Flag, see TSTAT

TEN - Transmit Enable bit, see TSTAT.

TFNF - Transmit FIFO Not Full Flag, see TSTAT.

TFIFO - (85H) TFIFO is a 3 byte FIFO that contains the transmission data for the GSC.

TH0 (08CH) - Timer 0 High Byte, contains the high byte for timer/counter 0.

TH1 (08DH) - Transmit Interrupt, see SCON.

TL0 (08AH) - Timer 0 Low byte, contains the low byte for timer/counter 0.

TL1 (08BH) - Timer 1 Low byte, contains the low byte for timer/counter 1.

TM - Transfer Mode, see DCON0.

TMOD (089H)

7	6	5	4	3	2	1	0
GATE	C/ $\bar{T}$	M1	M0	GATE	C/ $\bar{T}$	M1	M0

TMOD.0 (M0) - Mode selector bit for Timer 0.

TMOD.1 (M1) - Mode selector bit for Timer 0.

TMOD2 (C/ $\bar{T}$ ) - Timer/Counter selector bit for Timer 0.

TMOD3 (GATE) - Gating Mode bit for Timer 0.

TMOD.4 (M0) - Mode selector bit for Timer 1.

TMOD.5 (M1) - Mode selector bit for Timer 1.

TMOD6 (C/ $\bar{T}$ ) - Timer/Counter selector bit for Timer 1.

# KS152JB Universal Communications Controller

## Technical Specifications

---

TMOD7 (GATE) - Gating Mode bit for Timer 1.

TSTAT (0D8H) - Transmit Status Register

7	6	5	4	3	2	1	0
LNI	NOACK	UR	TCDT	TDN	TFNF	TEN	DMA

TSTAT.0 (DMA) - DMA Select - If set, indicates that DMA channels are used to service the GSC FIFO's and GSC interrupts occur on TDN and RDN, and also enables UR to become set. If cleared, indicates that the GSC is operating in its normal mode and interrupt occur on TFNE and RFNE. For more information on DMA servicing please refer to DMA section on DMA serial demand mode (4.2.2.3).

TSTAT.1 (TEN) - Transmit Enable - When set, causes TDN, UR, TCDT and NOACK flags to be reset and TFIFO cleared. The transmitter will clear TEN after a successful transmission, a collision during the data, CRC, or end flag. If cleared during transmission the GSC transmit pin goes to a steady state high level. This is the method used to send an abort character in SDLC. Also  $\overline{DEN}$  is forced to high level. The end of transmission occurs whenever the TFIFO is emptied.

TSTAT.2 (TFNF) - Transmit FIFO Not Full - When set, indicates that the new data may be written into the transmit FIFO. The transmit FIFO is a three byte buffer that loads the transmit shift register with data.

TSTAT.3 (TDN) - Transmit Done - When set, indicates the successful completion of a frame transmission. If HBAEN is set, TDN will not be set until the end of the IFS following the transmitted message, so that the acknowledgment can be checked. If an acknowledgment is not expected following a broadcast or multi-cast packet.

TSTAT.4 (TCDT) - Transmit Collision Detect- If set, indicates that the transmitter halted due to collision. It is set if a collision occurs during the data or CRC or if there are more than eight collisions.

TSTAT.5 (UR) - Underruns - If set, indicates that in the DMA mode last bit was shifted out of the transmit register and the DMA byte count did not equal zero. When an underrun occurs, the transmitter halts without sending the CRC or the end flag.

TSTAT.6 (NOACK) - No Acknowledge - If set, indicates that no acknowledgment was received for the previous frame. Will be set only if HBAEN is set and no acknowledge is received prior to the end of the IFS. NOACK is not set following a broadcast or multicast packet.

TSTAT.7 (LNI) - Line Idle - If set, indicates that the receive line is idle. In SDLC protocol it is set if 15 consecutive ones are received. In CSMA/CD protocol, line idle is set if GRxD remains high for approximately 1.6 bit times. LNI is cleared after a transition on GSxD.

TxD - External Clock input for GSC transmitter.

# KS152JB Universal Communications Controller

## Technical Specifications

---

UR - Underrun Flag, see TSTAT.

XRCLK - External GSC Receive Clock Enable bit, see PCON.

XTCLK - External GSC Transmit Clock Enable bit, see GMOD.

.....  
PORT 0

Bit:	7	6	5	4	3	2	1	0
	P0.7	P0.6	P0.5	P0.4	P0.3	P0.2	P0.1	P0.0

Mnemonic: P0

Address: 80h

Port 0 is used as the multiplexed address/data bus for external access. Since the CPU executes all program code from external memory, the Port P0 should not be used for I/O purposes. Pull-ups are not required when used as a memory interface.

### STACK POINTER

Bit:	7	6	5	4	3	2	1	0
	SP.7	SP.6	SP.5	SP.4	SP.3	SP.2	SP.1	SP.0

Mnemonic: SP

Address: 81h

The Stack Pointer stores the Scratchpad RAM address where the stack begins. In other words it always points to the top of the stack.

The SP is set to 07h on any reset.

There is unrestricted read/write access to this SFR.

### DATA POINTER LOW

Bit:	7	6	5	4	3	2	1	0
	DPL.7	DPL.6	DPL.5	DPL.4	DPL.3	DPL.2	DPL.1	DPL.0

Mnemonic: DPL

Address: 82h

This is the low byte of the 16-bit data pointer.

The DPL is reset to 00h by a reset.

There is unrestricted read/write access to this SFR.



# KS152JB Universal Communications Controller

## Technical Specifications

---

### DATA POINTER HIGH

Bit:	7	6	5	4	3	2	1	0
	DPH.7	DPH.6	DPH.5	DPH.4	DPH.3	DPH.2	DPH.1	DPH.0

Mnemonic: DPH

Address: 83h

This is the high byte of the 16-bit data pointer.

The DPH is reset to 00h by a reset.

There is unrestricted read/write access to this SFR.

### TIMER CONTROL

Bit:	7	6	5	4	3	2	1	0
	TF1	TR1	TF0	TR0	IE1	IT1	IE0	IT0

Mnemonic: TCON

Address: 88h

- TF1 Timer 1 overflow flag: This bit is set when Timer 1 overflows. It is cleared automatically when the program does a timer 1 interrupt service routine. Software can also set or clear this bit.
- TR1 Timer 1 run control: This bit is set or cleared by software to turn timer/counter on or off.
- TF0 Timer 0 overflow flag: This bit is set when Timer 0 overflows. It is cleared automatically when the program does a timer 0 interrupt service routine. Software can also set or clear this bit.
- TR0 Timer 0 run control: This bit is set or cleared by software to turn timer/counter on or off.
- IE1 Interrupt 1 edge detect: Set by hardware when an edge/level is detected on  $\overline{INT1}$ . This bit is cleared by hardware when the service routine is vectored to only if the interrupt was edge triggered. Otherwise it follows the pin.
- IT1 Interrupt 1 type control: Set/cleared by software to specify falling edge/ low level triggered external inputs.
- IE0 Interrupt 0 edge detect: Set by hardware when an edge/level is detected on  $\overline{INT0}$ . This bit is cleared by hardware when the service routine is vectored to only if the interrupt was edge triggered. Otherwise it follows the pin.
- IT0 Interrupt 0 type control: Set/cleared by software to specify falling edge/ low level triggered external inputs.

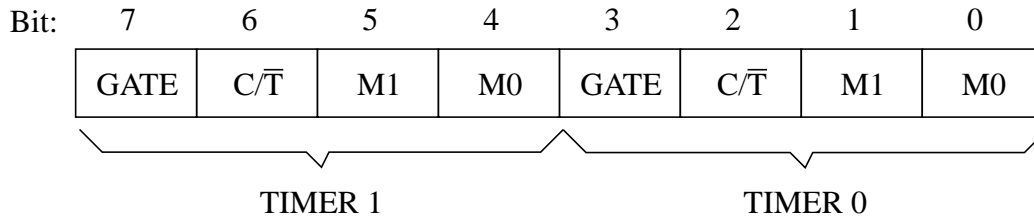
The TCON is reset to 00h by a reset.

There is unrestricted read/write access to this SFR.

# KS152JB Universal Communications Controller

## Technical Specifications

### TIMER MODE CONTROL



Mnemonic: TMOD

Address: 89h

**GATE** Gating control: When this bit is set, Timer/counter x is enabled only while  $\overline{\text{INTx}}$  pin is high and TRx control bit is set. When cleared, Timerx is enabled whenever TRx control bit is set.

**C/T** Timer or Counter Select: When cleared, the timer is incremented by internal clocks. When set, the timer counts high-to-low edges of the Tx pin.

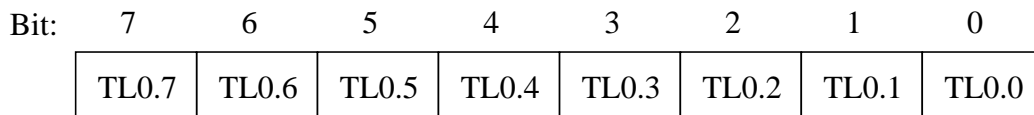
**M1 M0** Mode Select bits:

M1	M0	Mode
0	0	Mode 0: 8-bits with 5-bit pre-scaler.
0	1	Mode 1: 18-bits, no pre-scaler.
1	0	Mode 2: 8-bits with auto-reload from THx
1	1	Mode 3: (Timer 0) TL0 is an 8-bit timer/counter controlled by the standard Timer 0 control bits. TH0 is a 8-bit timer only controlled by Timer 1 control bits. (Timer 1) Timer/counter is stopped.

The TMOD is reset to 00h by a reset.

There is unrestricted read/write access to this SFR.

### TIMER 0 LSB



Mnemonic: TL0

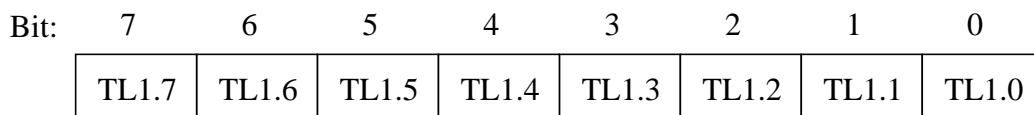
Address: 8Ah

**TL0.7-0** Timer 0 LSB

The TL0 sfr is set to 00h on any reset.

There is unrestricted read/write access to this SFR.

### TIMER 1 LSB



Mnemonic: TL1

Address: 8Bh

# KS152JB Universal Communications Controller

## Technical Specifications

---

### TL1.7-0 Timer 1 LSB

The TL1 sfr is set to 00h on any reset.

There is unrestricted read/write access to this SFR.

### TIMER 0 MSB

Bit:	7	6	5	4	3	2	1	0
	TH0.7	TH0.6	TH0.5	TH0.4	TH0.3	TH0.2	TH0.1	TH0.0

Mnemonic: TH0

Address: 8Ch

### TH0.7-0 Timer 0 MSB

The TH0 sfr is set to 00h on any reset.

There is unrestricted read/write access to this SFR.

### TIMER 1 MSB

Bit:	7	6	5	4	3	2	1	0
	TH1.7	TH1.6	TH1.5	TH1.4	TH1.3	TH1.2	TH1.1	TH1.0

Mnemonic: TH1

Address: 8Dh

### TH1.7-0 Timer 1 MSB

The TH1 sfr is set to 00h on any reset.

There is unrestricted read/write access to this SFR.

### PORT 1

Bit:	7	6	5	4	3	2	1	0
	P1.7	P1.6	P1.5	P1.4	P1.3	P1.2	P1.1	P1.0

Mnemonic: P1

Address: 90h

P1.7-0 General purpose I/O port. Most instructions will read the port pins in case of a port read access, however in case of read-modify-write instructions, the port latch is read.

The P1 sfr is set to FFh by a reset.

There is unrestricted read/write access to this SFR.

# KS152JB Universal Communications Controller

## Technical Specifications

---

### SERIAL PORT CONTROL

Bit:	7	6	5	4	3	2	1	0
	SM0	SM1	SM2	REN	TB8	RB8	TI	RI

Mnemonic: SCON

Address: 98h

SM0 Serial port, Mode 0 bit: The operation of SM0 is described below. .

SM1 Serial port Mode bit 1:

SM0	SM1	Mode	Description	Length	Baud rate
0	0	0	Synchronous	8	4/12 tclk
0	1	1	Asynchronous	10	variable
1	0	2	Asynchronous	11	64/32 tclk
1	1	3	Asynchronous	11	variable

SM2 Multiple MCU communication: Setting this bit to 1 enables the multiprocessor communication feature in mode 2 and 3. In mode 2 or 3, if SM2 is set to 1, then RI will not be activated if the received 9th data bit (RB8) is 0. In mode 1, if SM2 = 1, then RI will not be activated if a valid stop bit was not received.

REN Receive enable: When set to 1 serial reception is enabled, else reception is disabled.

TB8 This is the 9th bit to be transmitted in modes 2 and 3. this bit is set and cleared by software as desired.

RB8 In modes 2 and 3 this is the received 9th data bit. In mode 1, if SM2 = 0, RB8 is the stop bit that was received. In mode 0 it has no function.

TI Transmit interrupt flag: This flag is set by hardware at the end of the 8th bit time in mode 0, or at the beginning of the stop bit in all other modes during serial transmission. This bit must be cleared by software.

RI Receive interrupt flag: This flag is set by hardware at the end of the 8th bit time in mode 0, or halfway through the stop bits time in the other modes during serial reception. However the restrictions of SM2 applies on this bit. This bit can be cleared only by software

The SCON sfr is set to 00h by a reset.

There is unrestricted read/write access to this SFR.

### SERIAL DATA BUFFER

Bit:	7	6	5	4	3	2	1	0
	SBUF.7	SBUF.6	SBUF.5	SBUF.4	SBUF.3	SBUF.2	SBUF.1	SBUF.0

Mnemonic: SBUF

Address: 99h

SBUF.7-0 Serial data is read from or written to this location. It actually consists of two separate 8-bit registers. On is the receive register, and the other is the transmit buffer. Any read access gets data from the receive data buffer, while write accesses are to the transmit data buffer.

# KS152JB Universal Communications Controller

## Technical Specifications

---

The SBUF sfr is set to 00h by a reset.  
There is unrestricted read/write access to this SFR.

### PORT 2

Bit:	7	6	5	4	3	2	1	0
	P2.7	P2.6	P2.5	P2.4	P2.3	P2.2	P2.1	P2.0

Mnemonic: P2 Address: A0h

P2.7-0 Non-multiplexed address bus A15-A8: The port latch cannot be used for general I/O purposes but exists to support the MOVX instructions. Port 2 data will only be brought out on the P2.7-0 pins during indirect MOVX instructions.

The P2 sfr is set to FFh by a reset.  
There is unrestricted read/write access to this SFR.

### PORT 3

Bit:	7	6	5	4	3	2	1	0
	P3.7	P3.6	P3.5	P3.4	P3.3	P3.2	P3.1	P3.0

Mnemonic: P3 Address: B0h

P3.7-0 General purpose I/O port. Each pin also has a alternate input or output function. This alternate function is enabled if the corresponding port latch bit is set to 1, else the port pin will remain stuck at 0.

- P3.7  $\overline{RD}$  Strobe for read from external RAM
- P3.6  $\overline{WR}$  Strobe for write to external RAM
- P3.5 T1 Timer/counter 1 external count input
- P3.4 T0 Timer/counter 0 external count input
- P3.3  $\overline{INT0}$  External interrupt 1
- P3.2  $\overline{INT1}$  External interrupt 0
- P3.1 TxD Serial port output
- P3.0 RxD Serial port input

The P3 sfr is set to FFh by a reset.  
There is unrestricted read/write access to this SFR.

### PROGRAM STATUS WORD

Bit:	7	6	5	4	3	2	1	0
	CY	AC	F0	RS1	RS0	OV	F1	P

Mnemonic: PSW Address: D0h

# KS152JB Universal Communications Controller

## Technical Specifications

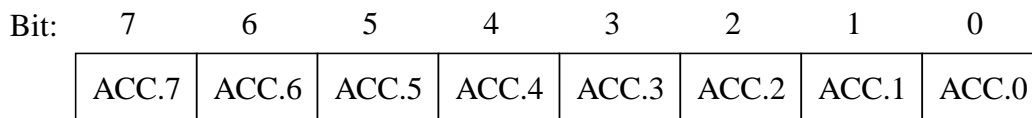
---

- CY Carry flag: Set for an arithmetic operation which results in a carry being generated from the ALU. It is also used as the accumulator for the bit operations.
- AC Auxiliary carry: Set when the previous operation resulted in a carry (during addition) or a borrow (during subtraction) from the high order nibble.
- F0 User flag 0: General purpose flag that can be set or cleared by the user by software.
- RS.1-0 Register bank select bits:
- | RS1 | RS0 | Register bank | Address |
|-----|-----|---------------|---------|
| 0   | 0   | 0             | 00-07h  |
| 0   | 1   | 1             | 08-0Fh  |
| 1   | 0   | 2             | 10-17h  |
| 1   | 1   | 3             | 18-1Fh  |
- OV Overflow flag: Set when a carry was generated from the seventh bit but not from the 8th bit as a result of the previous operation or vice-versa.
- F1 User Flag 1: General purpose flag that can be set or cleared by the user by software
- P Parity flag: Set/cleared by hardware to indicate odd/even number of 1's in the accumulator.

The PSW sfr is set to 00h by a reset.

There is unrestricted read/write access to this SFR.

### ACCUMULATOR



Mnemonic: ACC

Address: E0h

ACC.7-0 The A or ACC register is the accumulator

The ACC is reset to 00h on any reset

This sfr has unrestricted read/write access.

# KS152JB Universal Communications Controller Technical Specifications

---

# KS152JB Universal Communications Controller Technical Specifications

---



## Free Manuals Download Website

<http://myh66.com>

<http://usermanuals.us>

<http://www.somanuals.com>

<http://www.4manuals.cc>

<http://www.manual-lib.com>

<http://www.404manual.com>

<http://www.luxmanual.com>

<http://aubethermostatmanual.com>

Golf course search by state

<http://golfingnear.com>

Email search by domain

<http://emailbydomain.com>

Auto manuals search

<http://auto.somanuals.com>

TV manuals search

<http://tv.somanuals.com>