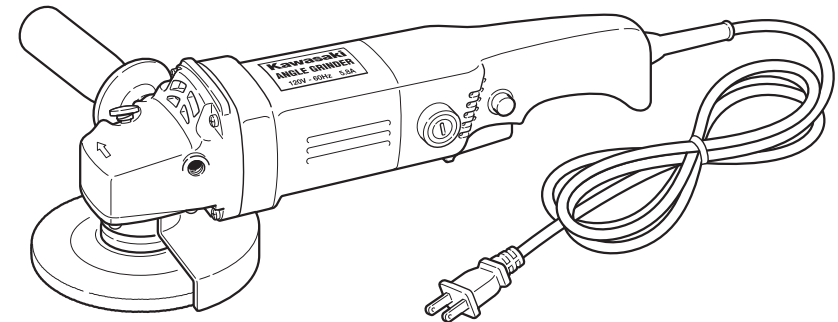


Kawasaki™

4 1/2" ANGLE GRINDER INSTRUCTION MANUAL



**FOR CUSTOMER SERVICE
POUR LE SERVICE APRÈS VENTE
OU DU CONSOMMATEUR**

**PARA EL SERVICIO
PARA EL CONSUMIDOR**

1-800-590-3723

Printed in China
Imprimé dans la Chine
Impreso en China

Kawasaki™

Kawasaki Motors Corp., U.S.A.

OFFICIAL • LICENSED • PRODUCT

87-1904-60957

KAWASAKI™ IS A TRADEMARK LICENSED BY KAWASAKI™ MOTORS CORP., U.S.A., WHICH DOES NOT MANUFACTURE OR DISTRIBUTE THIS PRODUCT. CONSUMER INQUIRES SHOULD BE DIRECTED TO:

©COPYRIGHT 2006 ALLTRADE TOOLS, LLC.

1431 VIA PLATA
LONG BEACH, CA 90810-1462 USA

840557 – 4-1/2" Corded Angle Grinder - Rev. 3/31/06

THIS MANUAL CONTAINS IMPORTANT INFORMATION REGARDING SAFETY, OPERATION, MAINTENANCE AND STORAGE OF THIS PRODUCT. BEFORE USE, READ CAREFULLY AND UNDERSTAND ALL CAUTIONS, WARNINGS, INSTRUCTIONS AND PRODUCT LABELS. FAILURE TO DO SO COULD RESULT IN SERIOUS PERSONAL INJURY AND/OR PROPERTY DAMAGE.

IF YOU SHOULD HAVE ANY QUESTIONS OR EXPERIENCE A PROBLEM WITH YOUR ALLTRADE PRODUCT, DO NOT RETURN THIS PRODUCT TO THE STORE. PLEASE CALL OUR CUSTOMER SERVICE DEPARTMENT AT **1-800-590-3723**. BEFORE YOU CALL, HAVE THE FOLLOWING INFORMATION AVAILABLE: MODEL No., DATE PURCHASED AND STORE LOCATION. AN ALLTRADE REPRESENTATIVE CAN RESOLVE YOUR PROBLEM OVER THE PHONE. IF YOU WOULD LIKE TO MAKE A SUGGESTION OR COMMENT, GIVE US A CALL OR EMAIL US AT: INFO@ALLTRADETOOLS.COM. YOUR FEEDBACK IS VITAL TO US.

TABLE OF CONTENTS

| | |
|---|-------|
| CONGRATULATIONS! | 2 |
| INTENDED USE | 2 |
| SECTION ONE | |
| RECOGNIZE SAFETY SYMBOLS, WORDS AND LABELS | 2-3 |
| IMPORTANT SAFEGUARDS | 3 |
| WORK AREA | 4 |
| ELECTRICAL SAFETY | 4 |
| PERSONAL SAFETY | 4 |
| TOOL USE AND CARE | 5 |
| SERVICE | 5 |
| SECTION TWO | |
| SPECIFIC SAFETY RULES AND/OR SYMBOLS | 5 |
| SAFETY RULES FOR ANGLE GRINDERS | 6-7 |
| SYMBOLS | 7 |
| SECTION THREE | |
| FUNCTIONAL DESCRIPTION | 8 |
| ASSEMBLY | 8-11 |
| ATTACHING AUXILIARY HANDLE | 9 |
| ATTACHING WHEEL GUARD | 9 |
| ATTACHING WHEELS WITH DEPRESSED CENTERS | 10 |
| ATTACHING WIRE BRUSHES | 11 |
| EDGE GRINDING | 11 |
| REMOVING GUARD FOR SANDING OR FLAT WIRE BRUSHES | 11 |
| ATTACHING SANDING DISC | 11 |
| OPERATING THE ANGLE GRINDER | 12 |
| OPERATING THE ON/OFF SWITCH | 12 |
| SECTION FOUR | |
| MAINTENANCE AND CLEANING | 13 |
| ACCESSORIES | 13 |
| SPECIFICATIONS | 14 |
| OTHER CONSUMER DO-IT-YOURSELF (DIY) TOOLS | 14 |
| SECTION FIVE | |
| 3 YEAR LIMITED WARRANTY | 15-18 |

CONGRATULATIONS!

Thanks for choosing this product. At Alltrade, our aim is to provide you with quality products at an affordable price, and we want you to be totally satisfied with your product and our Customer Service. If any help and advice is needed, please contact us at 1-800-590-3723. Properly cared for, this tool will give you many years of satisfaction.

INTENDED USE

This tool is intended for consumer use only.

RECOGNIZE SAFETY SYMBOLS, WORDS AND LABELS

The safety instructions provided in this manual are not intended to cover all possible conditions and practices that may occur when operating, maintaining and cleaning power tools.

Always use common sense and pay particular attention to all the **DANGER**, **WARNING**, **CAUTION** and **NOTE** statements of this manual.



This is the safety alert symbol. It is used to alert you to potential personal injury hazards. Obey all safety messages that follow this symbol to avoid possible injury or death.

DANGER

DANGER indicates an imminently hazardous situation which, if not avoided, will result in death or serious injury.

WARNING

WARNING indicates a potentially hazardous situation which, if not avoided, could result in death or serious injury.

CAUTION

CAUTION indicates a potentially hazardous situation which, if not avoided, may result in minor or moderate injury.

CAUTION

CAUTION used without the safety alert symbol indicates a potentially hazardous situation which, if not avoided, may result in property damage.

NOTE

NOTE provides additional information that is useful for proper use and maintenance of this tool. If a NOTE is indicated make sure it is fully understood.

IMPORTANT SAFEGUARDS

DANGER

People with electronic devices, such as pacemakers, should consult their physician(s) before using this product. Operation of electrical equipment in close proximity to a heart pacemaker could cause interference or failure of the pacemaker.

WARNING: Some dust created by power sanding, sawing, grinding, drilling and other construction activities contains chemicals known to the State of California to cause cancer, birth defects or other reproductive harm.

Some examples of these chemicals are:

- Lead from lead-based paints.
- Crystalline silica from bricks and cement and other masonry products, and arsenic and chromium from chemically-treated lumber.

Your risk from these exposures varies, depending on how often you do this type of work. To reduce your exposure to these chemicals: work in a well ventilated area, and work with approved safety equipment, such as dust masks that are specially designed to filter out microscopic particles.

WARNING: Handling the power cord on this product may expose you to lead, a chemical known to the State of California to cause cancer and birth defects or other reproductive harm. *Wash hands after handling.*

SAVE THESE INSTRUCTIONS FOR FUTURE REFERENCE.

WORK AREA

WARNING

Keep your work area clean and well lit. Cluttered work benches and dark work areas may cause accidents or injury.

Do not operate power tools in explosive areas, such as in the presence of flammable liquids, gases or dust. Power tools create sparks which may ignite the dust or fumes.

Keep bystanders, children and visitors away while operating a power tool. Distractions can cause you to lose control.

ELECTRICAL SAFETY

WARNING

Do not abuse the cord. Never use the cord to carry the tool. Keep the cord away from heat, oil, sharp edges, or moving parts. Replace damaged cords immediately. Damaged cords may create a fire.

PERSONAL SAFETY

WARNING

Stay alert, watch what you are doing, and use common sense when operating a power tool. Do not use tool while tired or under the influence of drugs, alcohol or medication. A moment of inattention while operating power tools may result in serious personal injury.

Dress properly. Do not wear loose clothing or jewelry. Contain long hair. Keep your hair, clothing, and gloves away from moving parts. Loose clothes, jewelry or long hair can be caught in moving parts.

Remove adjusting keys or wrenches before turning the power tool "ON". A wrench or a key that is left attached to a rotating part of the power tool may result in personal injury.

Do not overreach. Keep proper footing and balance at all times. Proper footing and balance enables better control of the power tool in unexpected situations.

Use safety equipment. Always wear eye protection. Dust mask, non-skid safety shoes, hard hat or hearing protection must be used for appropriate conditions.

TOOL USE AND CARE

⚠ CAUTION

Use clamps or other practical ways to secure and support the workpiece to a stable platform. Holding the work by hand or against your body is unstable and may lead to loss of control.

Do not force tool. Use the correct tool for your application. The correct tool will do the job better and safer at the rate for which it is designed.

Do not use the tool if the power switch does not turn it "ON" or "OFF". A tool that cannot be controlled with the switch is dangerous and must be repaired.

Disconnect the power cord plug from the power source before making any adjustments, changing accessories or storing the tool. Such preventive safety measures reduce the risk of starting the tool accidentally.

Store idle tools out of reach of children and other untrained persons. Tools are dangerous in the hands of untrained users.

Maintain tools with care. Keep cutting tools sharp and clean. Properly maintained tools with a sharp cutting edge are less likely to bind and are easier to control.

Check for misalignment or binding of moving parts, breakage of parts, and any other condition that may affect the tool's operation. If damaged, have the tool serviced before using. Many accidents are caused by poorly maintained tools.

Use only accessories that are recommended by the manufacturer for your model. Accessories that may be suitable for one tool may create a risk of injury when used on another tool.

SERVICE

Tool service must be performed only by qualified repair personnel. Service or maintenance by unqualified personnel may result in a risk of injury.

When servicing a tool, use only identical replacement parts. Follow instructions in the Maintenance section of this manual. Use of unauthorized parts or failure to follow Maintenance Instructions may create a risk of shock or injury.

SPECIFIC SAFETY RULES AND/OR SYMBOLS

⚠ CAUTION

Hold tool by insulated gripping surfaces when performing an operation where the cutting tool may contact hidden wiring. Contact with a "live" wire will also make exposed metal parts of the tool "live" and shock the operator.

SAFETY RULES FOR ANGLE GRINDERS

⚠ WARNING

Never use this tool without the proper guard. The grinding wheel could shatter during use. Make sure the guard covers the side of the wheel facing you.

Never bounce the tool while grinding. This may crack the wheel.

⚠ CAUTION

Grinding metal will cause sparks! Keep them directed away from people and flammable materials. Always keep the guard positioned so that as much of the exposed disc as possible is pointing away from you.

Keep children and pregnant women away from the work area until the grinding is completed and the area has been cleaned up.

Always wear full eye, face and body protection. Wire bristles may break off and fly toward the user. Always wear ear protection when grinding in enclosed spaces. Noise level may be amplified in such locations and may cause permanent hearing loss.

Always wear an OSHA approved dusk mask or respirator when inside the work area. Replace the filter daily. NOTE: Not all dust masks offer protection from lead paint dust. Be sure to use the proper mask for the job.

Always have the guards in place and properly positioned when using grinding wheels or wire cup brushes.

Secure the material being grinded. Never hold it in your hand or across your legs. Do not use your legs or feet to stabilize the workpiece. Unstable support can cause loss of control and could result in lacerations or injury.

Always make sure no one, including the user, is in line with the tool when starting the motor.

Always hold this tool by the insulated gripping surfaces. If this tool should accidentally cut across its own cord or hidden wiring, all exposed metal parts will become live and could seriously shock the user.

Do not run the Angle Grinder while carrying it at your side. A moving grinding wheel or brush could cause lacerations or personal injury.

Keep the handle of the Angle Grinder dry, clean and free from oil and grease.

Unplug Angle Grinder from power supply and place the switch in the locked or "OFF" position before making any assembly adjustments, changing accessories or performing any inspection, maintenance or cleaning procedures. Such preventive safety measures reduce the risk of starting the tool accidentally which could cause serious personal injury.

After replacing a wheel or brush, always let the tool run for one minute in a well-protected area. If the new accessory has an undetected flaw, it should break apart in less than a minute.






Do not use the Angle Grinder if it has been damaged, left outdoors in the rain, snow, wet or damp environments, or immersed in liquid.

Maintain labels and nameplates on the Angle Grinder. These carry important information. If unreadable or missing, contact Alltrade for a replacement.

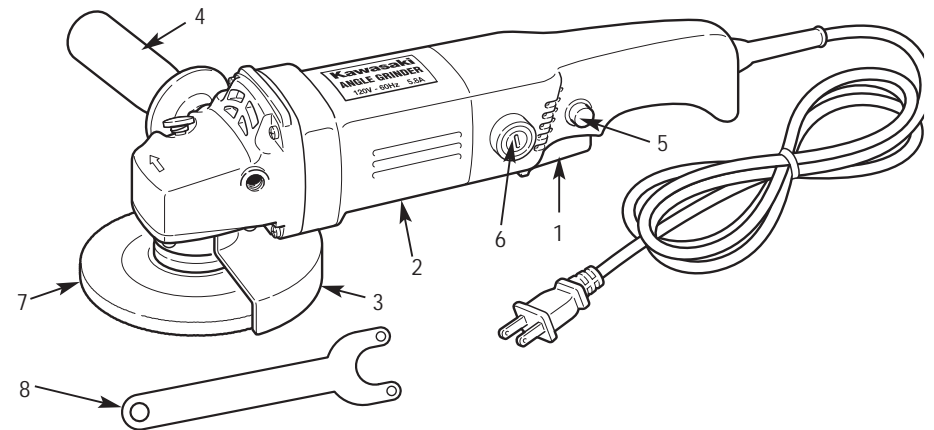
When using the Angle Grinder, always maintain a firm grip on the tool. Keep your hands well away from the grinding wheel or brush. Never reach underneath the Angle Grinder while the sanding disk is in motion.

SYMBOLS

IMPORTANT: Some of the following symbols may be used on your tool. Please study them and learn their meaning. Proper interpretation of these symbols will allow you to operate the tool better and safer.

| SYMBOL | NAME | EXPLANATION |
|---|-------------------------------|--|
| V | Volts | Voltage (Potential) |
| A | Amperes | Current |
| Hz | Hertz | Frequency (Cycles per Second) |
| W | Watt | Power |
| Kg | Kilograms | Weight |
|  | Alternating Current | Type of Current |
|  | Direct Current | Type of Current |
|  | Alternating or Direct Current | Type of Current |
|  | Earthing Terminal | Grounding Terminal |
|  | Class II Construction | Denotes Double Insulation |
| min | Minutes | Time |
| s | Seconds | Time |
| ϕ | Diameter | Size of Drill Bits, Grinding Wheels, etc. |
| n_0 | No load speed | No-load Rotational Speed |
| .../min | Revolutions per Minute | Revolutions, Surface Speed, Strokes, etc. per Minute |
| 1,2,3, ... | Ring Selector Settings | Speed, Torque or Position Settings |

FUNCTIONAL DESCRIPTION



CONTROLS AND COMPONENTS:

1. ON/OFF Switch
2. Tool Body
3. Protective Guard
4. Anti Vibration Side Handle
5. Lock-on Switch Feature for Continuous Use
6. Replaceable Brush Cap

ACCESSORIES:

7. Grinding Wheel
8. Wrench

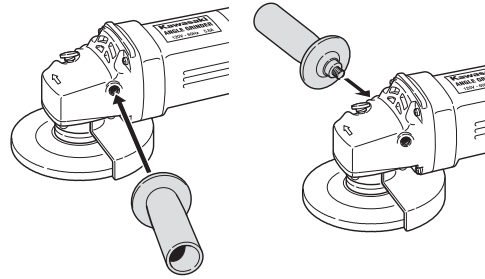
| COMPONENT | MODEL NUMBER |
|-----------|--------------|
| WRENCH | 690157 |

ASSEMBLY

CAUTION Make sure you have full control of the tool when grinding into a corner as a sharp, sudden movement may occur when the wheel contacts a secondary surface.

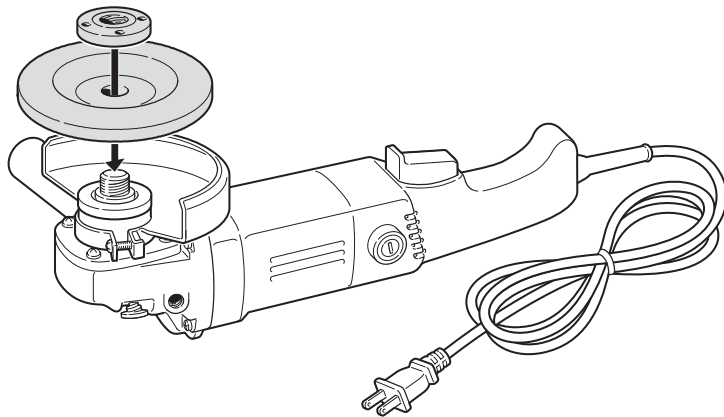
ATTACHING AUXILIARY HANDLE

This tool comes with an auxiliary handle which can be attached to either side of the Angle Grinder, depending on the preference of the operator. This handle is necessary to maintain complete control of the tool and should be used at all times. Make sure this handle is always fastened securely.



ATTACHING WHEEL GUARD

CAUTION Never brush or grind without the guard in place. Brushes are considered to be grinding wheels and must also be used with guards.

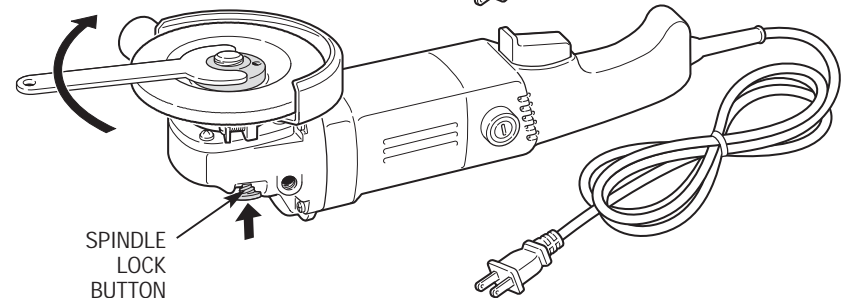
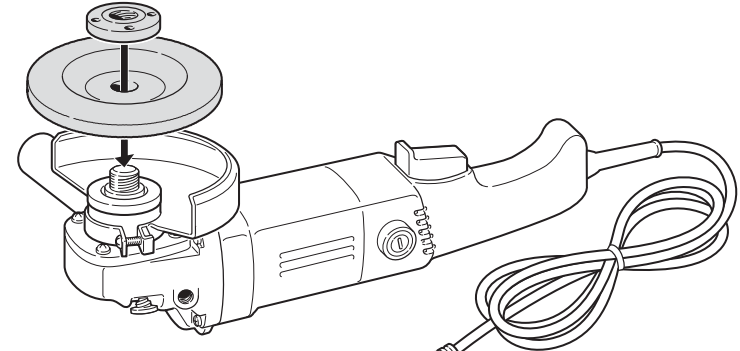


- Always unplug the tool before attempting to change the guard or accessories.
- Set the Angle Grinder on a flat surface with the spindle facing up.
- Place the spring washer of the guard over the spindle.
- Tighten the screw of the spring washer.
- Make sure that the guard is securely tightened in place.

ATTACHING WHEELS WITH DEPRESSED CENTERS

WARNING Always check the tool warning label for the recommended speed rating on accessories. Never run a wheel or brush over the rated speed. Accessories exceeding the recommended speed may fly apart and cause serious personal injury.

NOTE Hubbed wheels do not require mounting flanges.



- Check to make sure that the guard is fitted properly. Put the inner flange on the spindle.
- Put the grinding wheel on the spindle and the inner flange.
- When working with thin grinding wheels, fit the threaded outer flange with the raised area facing toward the wheel.
- When working with thick grinding wheels, fit the threaded outer flange with the raised area facing away from the wheel.
- Push in the spindle lock button. Turn the outer flange until it locks into place.
- Once the spindle is locked, insert the enclosed wrench into the holes of the outer flange to tighten the outer flange properly.

ATTACHING WIRE BRUSHES

Wire cup brushes, not included, can be screwed directly on the spindle. No flanges are necessary.

EDGE GRINDING

⚠ WARNING Do not use edge grinding wheels for cut-off work, deep grinding or subject them to any side pressure as this may lead to breakage and possible personal injury. These wheels should be used for shallow cutting and notching (less than 1/2" in depth). Keep the open side of the guard away from the operator at all times.

Edge grinding should only be done with wheels specifically designed for this purpose.

REMOVING GUARD FOR SANDING OR USING FLAT WIRE BRUSHES

- Set the Angle Grinder on a flat surface with the spindle facing up.
- Remove the inner and outer flanges, unscrew spring washer and remove the guard.
- Store these parts carefully.
- Replace the guard after the job is finished.

ATTACHING SANDING DISC

- To remove the guard, see instructions given in the "Removing Guard for Sanding or Using Flat Wire Brushes" Section above.
- Set the inner flange and outer flange on the spindle.
- Push in the spindle lock button. Turn the spindle until it locks into place.
- Once the spindle is locked, tighten the sanding disc by hand.

OPERATING THE ANGLE GRINDER

⚠ WARNING Always unplug the tool before attempting to change the guard or accessories.

NOTE For best tool control, material removal and minimal loading, keep the angle between the disc and the work surface at approximately 30° when grinding and 10°-15° when sanding.

OPERATING THE ON/OFF SWITCH

⚠ WARNING Never switch the Angle Grinder "ON" or "OFF" while under load conditions.

⚠ CAUTION

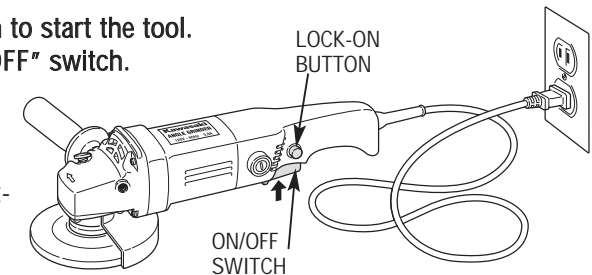
Always allow the Angle Grinder to come up to full speed before touching any surface.

Always take the tool away from the workpiece before turning the tool "OFF". Let the tool come to a complete stop before setting it down.

This tool operates best under light pressure. Exerting heavy pressure will not speed up the work and may cause damage to the motor.

Press the "ON/OFF" switch to start the tool.
To stop, release the "ON/OFF" switch.

When continuous operation is desired, press the "ON/OFF" switch forward and depress the lock-on button. This locks the switch "ON" until the lock-on button is released.



MAINTENANCE AND CLEANING

⚠ WARNING Always UNPLUG the tool from the power source before cleaning or maintenance.

- Use compressed air to blow out any accumulated dust or grit. Tiny particles from metal grinding often accumulate inside your tool and could create an electrical shock hazard.
- Never use solvents or harsh chemicals. Use only mild soap and a damp cloth to clean the tool. Never let any liquid get inside the casing. Never immerse any part of the tool in a liquid. Always keep the ventilation openings clear.
- Regularly clean the ventilation slots in your tool using a soft brush or dry cloth.

ACCESSORIES

Use only accessories that are recommended by the manufacturer for your model. Accessories that may be suitable for one tool may become hazardous when used on another tool.

Always attach grounded (3-prong) extension cords to grounded (3-hole) outlets.


If you must use an extension cord, be sure that the gauge is large enough to carry the amount of current necessary for your power tool. If not, your tool may experience a loss of power, excessive voltage drop or overheating. The smaller the gauge number, the heavier the cord (see table below).

RECOMMENDED SIZES OF EXTENSION CORDS 120 VOLT AC 60 HZ TOOLS

| TOOL CURRENT RATING | CONDUCTOR SIZE IN A.W.G | | | | |
|---------------------|-------------------------|-------|-------|-------|--------|
| | AMPERE | 10FT. | 25FT. | 50FT. | 100FT. |
| 3-6 | | 18 | 18 | 18 | 18 |
| 6-8 | | 18 | 18 | 18 | 16 |
| 8-10 | | 18 | 18 | 18 | 14 |
| 10-12 | | 16 | 16 | 14 | 14 |
| 12-16 | | 14 | 12 | 12 | - |
| 16-20 | | 12 | 12 | 12 | - |

SPECIFICATIONS

SPECIFICATIONS

| | |
|-----------------------|--|
| Voltage | 120V  60 Hz |
| Rated Current | 5.8 A |
| No-Load Speed | 11000/min |
| Maximum Disc Diameter | 115mm (4-1/2") |

OTHER CONSUMER DO-IT-YOURSELF (DIY) TOOLS

Alltrade offers a full range of Kawasaki™ tools that make DIY jobs easy. If you would like further information on the following products, please contact Alltrade Customer Service Department at 1-800-590-3723.

Cordless Drills/Screwdrivers

Impact Wrenches

Sanders

Jigsaws

Circular Saws

Angle Grinders

Reciprocating Saws

Routers

Rotary Tools

Corded and Cordless Multi-Purpose Tools

Wide Range of Accessories and more

3 YEAR LIMITED WARRANTY

Express and Exclusive Limited Warranty to Original Retail Buyer

Alltrade Tools LLC (hereinafter "Alltrade") expressly warrants to the original retail purchaser of the accompanying KAWASAKI™ power tool and no one else all parts of the product (except those parts referred to below which are specifically excluded from such warranty (see Exclusions)) to be free from defects in materials and workmanship for a period of three years from original date of purchase, except that such warranty with regard to the battery shall be for a period of two years from original date of purchase, unless the tool is used for commercial or rental purposes.

SPECIAL WARRANTY NOTE FOR COMMERCIAL OR RENTAL USE: The above warranty for this Kawasaki™ power tool, including the battery, shall be effective for only 90 days from the original date of purchase if this tool is used for any **COMMERCIAL OR RENTAL PURPOSE.**

The date of purchase shall be the date of shipment to the original purchaser, or the date the original purchaser took possession, custody or control of the product, whichever occurred first. This warranty shall be null and void if the product or any component thereof is modified or altered. This warranty does not apply to any other product and/or component thereof manufactured or distributed by Alltrade, and does not apply to products and/or components thereof designed, manufactured and/or assembled by others, for which Alltrade makes no warranties whatsoever. **THERE ARE NO WARRANTIES WHICH EXTEND BEYOND THE DESCRIPTION ON THE FACE HEREOF.**

Warranty Performance

By purchasing the product, purchaser expressly acknowledges and agrees that their sole and exclusive remedy under this warranty shall be strictly limited to the repair or replacement of any covered nonconforming items or parts thereof provided that any such nonconforming item and/or part is promptly returned to Alltrade's facility postage pre-paid and insured (address: ALLTRADE Warranty Claims & Repair, 1431 Via Plata, Long Beach, CA 90810, Attn: Customer Service #1-800-590-3723) within the applicable warranty period, with a written request by purchaser that Alltrade repair and/or replace the nonconforming item and/or part. We recommend that you keep the original product packaging in the event you need to ship the unit. We suggest the package be insured against loss or in transit damage. When sending your product include your name, address, phone number, dated proof of purchase (or copy), and a statement about the nature of problem. Warranty coverage is conditioned upon purchaser furnishing Alltrade with adequate written proof that they are the original purchaser and of the original purchase date. Parts returned, freight prepaid and insured, to Alltrade's facility (see above address) will be inspected and, at Alltrade's option, repaired and/or replaced free of charge if

found to be defective and subject to warranty. Alltrade retains the sole discretion to determine whether any item or part is nonconforming and, if so, whether the item and/or part will be repaired and/or replaced. If the unit is repaired, new or reconditioned replacement parts may be used. If Alltrade chooses to replace the product, it may replace it with a new or reconditioned one of the same or comparable design. The repaired or replaced unit will be warranted under the terms of the remainder of the warranty period. Typically, a defective product that is returned within the first 30 days after the purchase date will be replaced; for items returned after the first 30 days and within the warranty period, covered defective parts not subject to normal wear and tear or other exclusions will be repaired or replaced, at Alltrade's option. During the warranty period, Alltrade will be responsible for the return shipping charges. Alltrade's repair and/or replacement of any nonconforming item and/or part thereof shall constitute fulfillment of all obligations to the purchaser. Alltrade shall not be responsible or liable for any expense, including freight charges, or repairs made outside Alltrade's facility, unless expressly agreed to by Alltrade in writing. Under no circumstances shall Alltrade bear any responsibility for loss of the unit, loss of time or rental, inconvenience, commercial loss or consequential damages.

Exclusions

This warranty does not cover parts damaged due to normal wear, abnormal conditions, misapplication, misuse, abuse, accidents, operation at other than recommended pressures or temperatures, improper storage or freight damage. Parts damaged or worn by operation in dusty environments are not warranted. Failure to follow recommended operating and maintenance procedures also voids warranty.

This limited warranty does not apply to accessory items such as drill bits, screwdriving bits, circular saw blades, jigsaw blades, grinding wheels, sanding sheets and other related items.

DAMAGE TO THE PRODUCT RESULTING FROM TAMPERING, ACCIDENT, ABUSE, NEGLIGENCE, FAILURE TO FOLLOW INSTRUCTIONS, UNAUTHORIZED REPAIRS OR ALTERATIONS, DAMAGE WHILE IN TRANSIT TO OUR SERVICE FACILITY, USE OF UNAPPROVED OR IMPROPER ATTACHMENTS OR ACCESSORIES, COMMERCIAL AND RENTAL APPLICATIONS OR OTHER CAUSES UNRELATED TO PROBLEMS WITH MATERIAL OR WORKMANSHIP ARE NOT COVERED BY THIS WARRANTY.

Alltrade will not be liable for the following: labor charges, loss or damage resulting from improper operation, maintenance or repairs made by other persons; pre-delivery services such as assembly, oil or lubricants, and adjustment; maintenance services that are normally required to maintain the product.

The use of other than genuine Alltrade Repair Parts will void warranty.

Warranty Disclaimers

EXCLUSION AND DISCLAIMER OF ALL OTHER EXPRESS WARRANTIES, GUARANTIES AND/OR REPRESENTATIONS. EXCEPT FOR THE LIMITED WARRANTY PROVIDED ABOVE, ALL OTHER EXPRESS WARRANTIES, GUARANTIES AND/OR REPRESENTATIONS BY ALLTRADE AND/OR ITS REPRESENTATIVE(S) REGARDING THE DESIGN, MANUFACTURE, PURCHASE, USE AND/OR OPERATION OF THE PRODUCT OR ANY COMPONENT THEREOF SOLD HEREUNDER, REGARDLESS OF WHETHER ANY SUCH WARRANTY, GUARANTY AND/OR REPRESENTATION, WRITTEN OR ORAL, ARISES BY OPERATION OF LAW AND/OR EQUITY AND/OR BY ANY ACT OR OMISSION OF ALLTRADE AND/OR ITS REPRESENTATIVE(S), OR THE BUYER, ARE HEREBY EXPRESSLY EXCLUDED AND DISCLAIMED BY ALLTRADE AND/OR ITS REPRESENTATIVES. PURCHASER KNOWINGLY AND WILLINGLY WAIVES ANY AND ALL SUCH WARRANTIES AND RIGHTS, CLAIMS AND/OR CAUSES OF ACTION ARISING THEREFROM OR BASED THEREON. PURCHASER'S SOLE AND EXCLUSIVE REMEDY IS AS STATED ABOVE.

EXCLUSION AND DISCLAIMER OF ALL IMPLIED WARRANTIES, INCLUDING THE IMPLIED WARRANTIES OF MERCHANTABILITY AND FITNESS FOR A PARTICULAR PURPOSE. NO WARRANTY, ORAL OR WRITTEN, OTHER THAN THE ABOVE WARRANTY IS MADE WITH REGARD TO THIS PRODUCT. ALL EXPRESS AND/OR IMPLIED WARRANTIES, GUARANTIES AND/OR REPRESENTATIONS BY ALLTRADE AND/OR ITS REPRESENTATIVE(S) REGARDING THE DESIGN, MANUFACTURE, PURCHASE, USE AND/OR OPERATION OF THE PRODUCT OR ANY COMPONENT THEREOF SOLD HEREUNDER, REGARDLESS OF WHETHER ANY SUCH WARRANTY, GUARANTY AND/OR REPRESENTATION, WRITTEN OR ORAL, ARISES BY OPERATION OF LAW AND/OR EQUITY AND/OR BY ANY ACT OR OMISSION OF ALLTRADE AND/OR ITS REPRESENTATIVE(S), OR THE PURCHASER, INCLUDING BUT NOT LIMITED TO THE IMPLIED WARRANTY OF MERCHANTABILITY AND THE WARRANTY OF FITNESS FOR A PARTICULAR PURPOSE, ARE HEREBY EXPRESSLY EXCLUDED AND DISCLAIMED BY ALLTRADE AND/OR ITS REPRESENTATIVES. PURCHASER KNOWINGLY AND WILLINGLY WAIVES ANY AND ALL SUCH WARRANTIES AND RIGHTS, CLAIMS AND/OR CAUSES OF ACTION ARISING THEREFROM OR BASED THEREON. PURCHASER'S SOLE AND EXCLUSIVE REMEDY IS AS STATED ABOVE.

Limitation Of Liability

IN NO EVENT SHALL ALLTRADE AND/OR ITS REPRESENTATIVE(S) BE LIABLE FOR INDIRECT, INCIDENTAL, SPECIAL AND/OR CONSEQUENTIAL DAMAGES OF ANY KIND ARISING OUT OF OR RELATED TO, DIRECTLY OR INDIRECTLY, ANY BREACH OF ANY PROVISION OF ANY AGREEMENT BETWEEN ALLTRADE AND/OR ITS REPRESENTATIVE(S) AND PURCHASER, ANY WARRANTY HEREUNDER, AND/OR THE EXISTENCE, DESIGN, MANUFACTURE, PURCHASE, USE AND/OR OPERATION OF ANY ITEM(S) SOLD HEREUNDER EVEN IF ALLTRADE AND/OR ITS REPRESENTATIVE(S) HAS BEEN ADVISED OF THE POSSIBILITY OF ANY SUCH

DAMAGES. IN NO EVENT, WHETHER AS A RESULT OF A BREACH OF CONTRACT, WARRANTY, TORT (INCLUDING NEGLIGENCE) OR OTHERWISE, SHALL ALLTRADE'S AND/OR ITS REPRESENTATIVE(S)' LIABILITY EXCEED THE PRICE OF THE PRODUCT. ANY AND ALL LIABILITY CONNECTED WITH THE USE OF THIS PRODUCT SHALL TERMINATE UPON THE EXPIRATION OF THE WARRANTY PERIODS SPECIFIED ABOVE.

Limitations on Warranty Disclaimers

Some states do not allow limitations on how long an implied warranty lasts and some states do not allow the exclusion or limitation of the incidental or consequential damages, so part or all of the above limitations or exclusions may not apply to you. This warranty gives you specific legal rights, and you may also have other rights which vary from state to state.

If your product is not covered by this warranty, please call our Customer Service Department toll free at 1-800-590-3723 for general repair information and charges.

Free Manuals Download Website

<http://myh66.com>

<http://usermanuals.us>

<http://www.somanuals.com>

<http://www.4manuals.cc>

<http://www.manual-lib.com>

<http://www.404manual.com>

<http://www.luxmanual.com>

<http://aubethermostatmanual.com>

Golf course search by state

<http://golfingnear.com>

Email search by domain

<http://emailbydomain.com>

Auto manuals search

<http://auto.somanuals.com>

TV manuals search

<http://tv.somanuals.com>