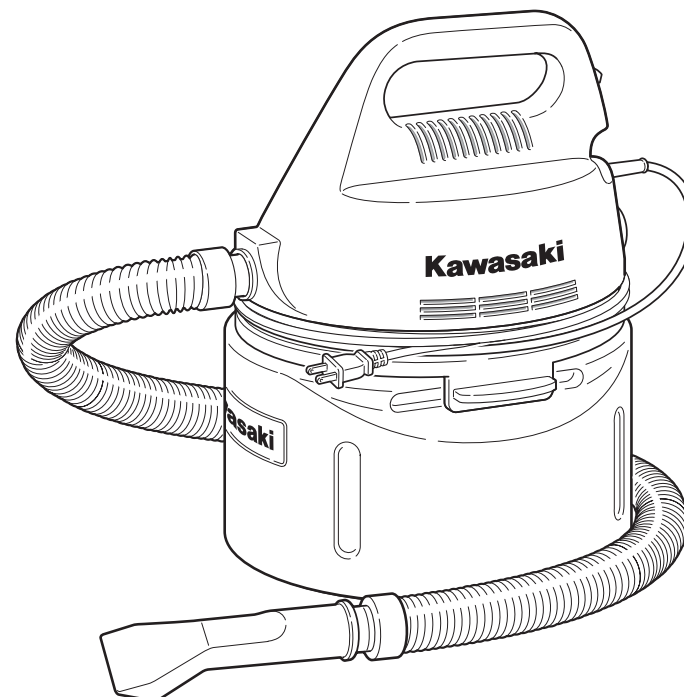


MODEL
#840121

Kawasaki™

2.2 GALLON WET/DRY VACUUM / BLOWER

INSTRUCTION MANUAL



THIS MANUAL CONTAINS IMPORTANT INFORMATION REGARDING SAFETY, OPERATION, MAINTENANCE AND STORAGE OF THIS PRODUCT. BEFORE USE, READ CAREFULLY AND UNDERSTAND ALL CAUTIONS, WARNINGS, INSTRUCTIONS AND PRODUCT LABELS. FAILURE TO DO SO COULD RESULT IN SERIOUS PERSONAL INJURY AND/OR PROPERTY DAMAGE.

IF YOU SHOULD HAVE ANY QUESTIONS OR EXPERIENCE A PROBLEM WITH YOUR ALLTRADE PRODUCT, DO NOT RETURN THIS PRODUCT TO THE STORE. PLEASE CALL OUR CUSTOMER SERVICE DEPARTMENT AT **1-800-590-3723**. BEFORE YOU CALL, HAVE THE FOLLOWING INFORMATION AVAILABLE: MODEL No., DATE PURCHASED AND STORE LOCATION. AN ALLTRADE REPRESENTATIVE CAN RESOLVE YOUR PROBLEM OVER THE PHONE. IF YOU WOULD LIKE TO MAKE A SUGGESTION OR COMMENT, GIVE US A CALL OR EMAIL US AT: INFO@ALLTRADETOOLS.COM. YOUR FEEDBACK IS VITAL TO US.

Kawasaki

Kawasaki Motors Corp., U.S.A.

OFFICIAL • LICENSED • PRODUCT

87-1904-60957

KAWASAKI™ IS A TRADEMARK LICENSED BY KAWASAKI™ MOTORS CORP., U.S.A., WHICH DOES NOT MANUFACTURE OR DISTRIBUTE THIS PRODUCT. CONSUMER INQUIRES SHOULD BE DIRECTED TO:

©COPYRIGHT 2006 ALLTRADE TOOLS, LLC.
1431 VIA PLATA
LONG BEACH, CA 90810-1462 USA

840121 – 2.2 Gallon Corded Wet/Dry Vacuum/Blower_Rev 9/28/06

FOR CUSTOMER SERVICE
POUR LE SERVICE APRÈS VENTE
OU DU CONSOMMATEUR
PARA EL SERVICIO
PARA EL CONSUMIDOR
1-800-590-3723

Printed in China

TABLE OF CONTENTS

CONGRATULATIONS!	2
INTENDED USE	2
SECTION ONE	
GENERAL SAFETY RULES – FOR ALL ELECTRIC POWER TOOLS	2
RECOGNIZE SAFETY SYMBOLS, WORDS AND LABELS	2-3
IMPORTANT SAFEGUARDS	3
ELECTRICAL SAFETY	4
SERVICE	4
SECTION TWO	
SAFETY RULES FOR WET/DRY VACUUM/BLOWERS	5
VACUUM SAFETY	5-6
BLOWING SAFETY	6
GROUNDING INSTRUCTIONS	6-7
EXTENSION CORD USAGE	7
SYMBOLS	7
SECTION THREE	
FUNCTIONAL DESCRIPTION	8
OPERATING THE WET/DRY VACUUM/BLOWER	9-11
DRY VACUUMING	9
WET VACUUMING	10
EMPTYING THE DUST CONTAINER	10
BLOWER USE	10-11
SECTION FOUR	
MAINTENANCE AND CLEANING	11-13
ACCESSORIES	13
SPECIFICATIONS	14
OTHER CONSUMER DO-IT-YOURSELF (DIY) TOOLS	14
SECTION FIVE	
3 YEAR LIMITED WARRANTY	15-18


CONGRATULATIONS!

Thanks for choosing this product. At Alltrade, our aim is to provide you with quality products at an affordable price, and we want you to be totally satisfied with your product and our Customer Service. If any help and advice is needed, please contact us at 1-800-590-3723. Properly cared for, this tool will give you many years of satisfaction.

INTENDED USE

This tool is intended for consumer use only.

GENERAL SAFETY RULES – FOR ALL ELECTRIC POWER TOOLS

 **WARNING** **READ AND UNDERSTAND ALL INSTRUCTIONS.** Failure to follow all instructions listed below may result in electric shock, fire and/or serious personal injury.

RECOGNIZE SAFETY SYMBOLS, WORDS AND LABELS

The safety instructions provided in this manual are not intended to cover all possible conditions and practices that may occur when operating, maintaining and cleaning power tools.

Always use common sense and pay particular attention to all the **DANGER**, **WARNING**, **CAUTION** and **NOTE** statements of this manual.



This is the safety alert symbol. It is used to alert you to potential personal injury hazards. Obey all safety messages that follow this symbol to avoid possible injury or death.



DANGER indicates an imminently hazardous situation which, if not avoided, will result in death or serious injury.



WARNING indicates a potentially hazardous situation which, if not avoided, could result in death or serious injury.

⚠ CAUTION

CAUTION indicates a potentially hazardous situation which, if not avoided, may result in minor or moderate injury.

CAUTION

CAUTION used without the safety alert symbol indicates a potentially hazardous situation which, if not avoided, may result in property damage.

NOTE

NOTE provides additional information that is useful for proper use and maintenance of this tool. If a NOTE is indicated make sure it is fully understood.

IMPORTANT SAFEGUARDS

⚠ DANGER

People with electronic devices, such as pacemakers, should consult their physician(s) before using this product. Operation of electrical equipment in close proximity to a heart pacemaker could cause interference or failure of the pacemaker.

WARNING: Some dust created by power sanding, sawing, grinding, drilling and other construction activities contains chemicals known to the State of California to cause cancer, birth defects or other reproductive harm.

Some examples of these chemicals are:

- Lead from lead-based paints.
- Crystalline silica from bricks and cement and other masonry products, and arsenic and chromium from chemically-treated lumber.

Your risk from these exposures varies, depending on how often you do this type of work. To reduce your exposure to these chemicals: work in a well ventilated area, and work with approved safety equipment, such as dust masks that are specially designed to filter out microscopic particles.

WARNING: Handling the power cord on corded products may expose you to lead, a chemical known to the State of California to cause cancer and birth defects or other reproductive harm. **Wash hands after handling.**

SAVE THESE INSTRUCTIONS FOR FUTURE REFERENCE.

ELECTRICAL SAFETY

⚠ WARNING

Double insulated tools are equipped with a polarized plug (one blade is wider than the other.) This plug will fit in a polarized outlet only one way. If the plug does not fit fully in the outlet, reverse the plug. If it still does not fit, contact a qualified electrician to install a polarized outlet. Do not change the plug in any way. Double insulation eliminates the need for the three wire grounded power cord and grounded power supply system.

Avoid body contact with grounded surfaces such as pipes, radiators, ranges and refrigerators. There is an increased risk of electric shock if your body is grounded.

Do not expose power tools to rain or wet conditions. Water entering a power tool will increase the risk of electric shock.

Do not abuse the cord. Never use the cord to carry the tool or pull the plug from an outlet. Keep the cord away from heat, oil, sharp edges, or moving parts. Replace damaged cords immediately. Damaged cords increase the risk of electric shock.

When operating the tool outside, use an outdoor extension cord marked “W-A” or “W.” These cords are rated for outdoor use and reduce the risk of electric shock.

SERVICE

Tool service must be performed only by qualified repair personnel. Service or maintenance by unqualified personnel may result in a risk of injury.

When servicing a tool, use only identical replacement parts. Follow instructions in the Maintenance section of this manual. Use of unauthorized parts or failure to follow Maintenance Instructions may create a risk of shock or injury.

SAFETY RULES FOR WET / DRY VACUUM / BLOWERS

⚠ WARNING

Never immerse the motor housing in water or liquid. Do not expose to rain or other wet conditions. Failure to keep motor housing dry will lead to risk of electric shock.

Never handle the Wet/Dry Vacuum/Blower with wet hands.

Keep body away from grounded surfaces like refrigerators, pipes or ranges.

For additional protection against shock, connect the Wet/Dry Vacuum/Blower to an outlet with a Ground Fault Circuit Interrupter (GFCI).

Keep the ventilation openings clear of dust, hair, paper or anything else that may restrict air flow.

NEVER run the Wet/Dry Vacuum/Blower over the cord.

DO NOT vacuum toxic materials.

STOP using the Wet/Dry Vacuum/Blower immediately if the motor housing breaks and the motor or any other electrical components are exposed. Using the Wet/Dry Vacuum/Blower in this condition could lead to shock or serious personal injury.

Always wear safety goggles or eye protection when using this tool. Operation of the Wet/Dry Vacuum/Blower can result in foreign objects being blown into the eyes resulting in severe eye damage. **NOTE:** Everyday glasses are not SAFE-TY GLASSES and not compliant with ANSI.

Use a dust mask or respirator for applications which generate dust.

Always wear an OSHA approved dusk mask or respirator when inside the work area. Replace the filter daily. **NOTE:** Not all dust masks offer protection from lead paint dust. Be sure to use the proper mask for the job.

Wear ear protection when using the Wet/Dry Vacuum/Blower for extended hours or when using it in a noisy area.

Maintain labels and nameplates on the Vacuum/Blower. These carry important information. If unreadable or missing, contact Alltrade for a replacement.

VACUUM SAFETY

NEVER leave Wet/Dry Vacuum/Blower running unattended.

NEVER vacuum in the presence of flammable or explosive materials such as gasoline, natural gas, coal dust, magnesium dust, gun powder, hydrogen, solvents or lighter fluid. Sparks inside the motor can cause flammable dust, liquid or gases to explode.

DO NOT vacuum toxic materials.

DO NOT use for grooming animals.

NEVER vacuum up smoldering cigarette butts, hot ashes or any other burning material. This may cause the unit to burst into flame.

NEVER use the vacuum if the filter is wet or missing.

BLOWING SAFETY

DO NOT use Wet/Dry Vacuum/Blower as a sprayer.

DO NOT point the nozzle or exhaust vents toward your eyes, ears or hair. **DO NOT** point nozzle at bystanders or animals. Keep air discharge directed at the work area. Keep children away while blower is in use.

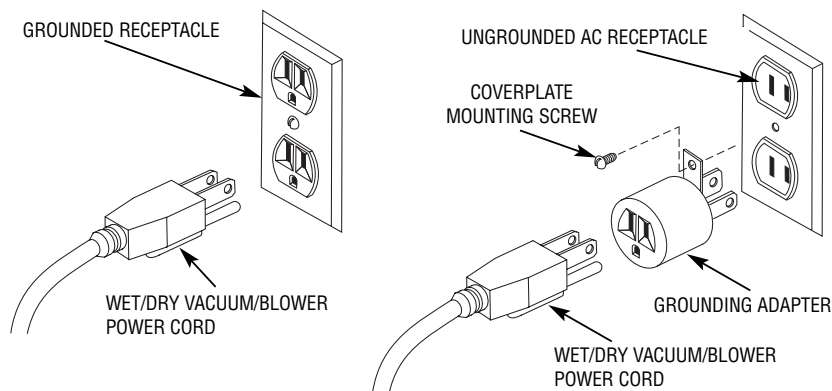
USE ONLY for dust, dirt, leaves and other light debris. This product should not be used for heavy-duty blowing.

⚠ WARNING If you have a pacemaker, consult your doctor before using this product. This equipment could cause pacemaker interference or failure when used at close quarters.

GROUNDING INSTRUCTIONS

The electrical power source for this Wet/Dry Vacuum/Blower **MUST** be grounded in order prevent possible electric shock or even death should the tool malfunction or breakdown. Grounding provides a path of least resistance for electric current thus reducing the risk of electrical shock. The power source must also use a minimum 20A service and not used if other power tools on the same circuit are in use.

This Wet/Dry Vacuum/Blower is equipped with a grounded 3-wire power cord with a 3-prong plug. If the power cord will not fit into the wall plug, an approved adapter can be used as long as it is connected to the center screw in the wall plate. **Never modify the electrical plug** by cutting off the grounding prong so it will fit into unapproved, un-grounded electrical receptacles.



If you have questions about hooking up the Wet/Dry Vacuum/Blower, contact a certified electrical contractor to install the proper circuitry acceptable for this and other power tools you use. Repair or replace any damaged electrical wiring **IMMEDIATELY**.

EXTENSION CORD USAGE

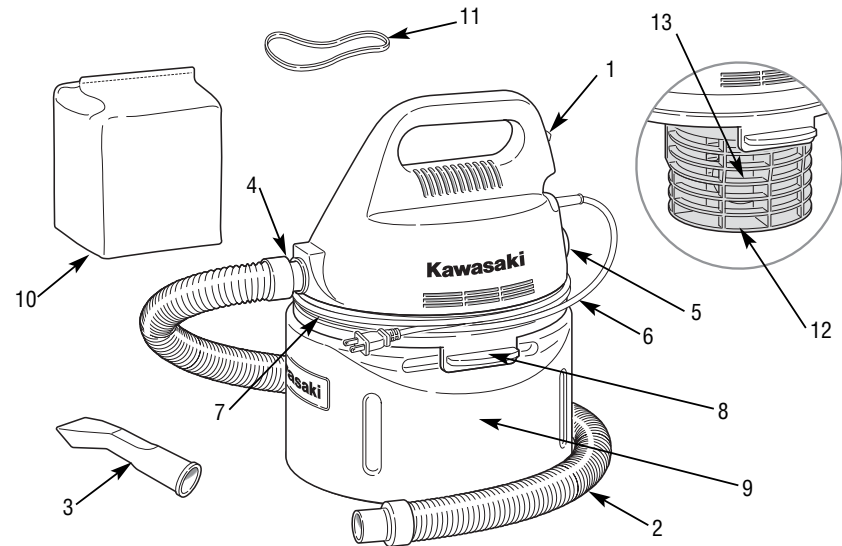
Extension cords are not recommended for use with this Wet/Dry Vacuum/Blower. Extension cords, if used, must be properly grounded with a 3-prong plug on one end and a 3-hole receptacle on the other. **DO NOT use grounding adapters with an extension cord.** Extension cords must be UL listed and use a minimum of 18 A.W.G. wiring. Extension cords should never exceed 25 feet in length. Extension cords, that are too long, cause a voltage drop over the extra distance causing the Wet/Dry Vacuum/Blower motor to run slower with the possibility of causing damage to the motor. Using extension cords with smaller than the recommended wire gauge run the risk of getting too hot, melting, and/or causing fires. See table, “**Extension Cord Specifications**”, on page 13.

SYMBOLS

IMPORTANT: Some of the following symbols may be used on your tool. Please study them and learn their meaning. Proper interpretation of these symbols will allow you to operate the tool better and safer.

SYMBOL	NAME	EXPLANATION
V	Volts	Voltage (Potential)
A	Amperes	Current
Hz	Hertz	Frequency (Cycles per Second)
W	Watt	Power
Kg	Kilograms	Weight
~	Alternating Current	Type of Current
⋮	Direct Current	Type of Current
⌚	Alternating or Direct Current	Type of Current
⊕	Earthing Terminal	Grounding Terminal
⊠	Class II Construction	Denotes Double Insulation
min	Minutes	Time
s	Seconds	Time
φ	Diameter	Size of Drill Bits, Grinding Wheels, etc.
n_0	No load speed	No-load Rotational Speed
.../min	Revolutions per Minute	Revolutions, Surface Speed, Strokes, etc. per Minute
1,2,3, ...	Ring Selector Settings	Speed, Torque or Position Settings

FUNCTIONAL DESCRIPTION



CONTROLS AND COMPONENTS:

- | | |
|-----------------------------|-------------------------------------|
| 1. ON/OFF Switch | 8. Latches |
| 2. Hose with Swivel Ends | 9. Dust Container |
| 3. Nozzle | 10. Filter Bag |
| 4. Vacuum Port | 11. Rubber Band |
| 5. Blower Port | 12. Filter Cage |
| 6. Power Cord | 13. Ball Float (Inside Filter Cage) |
| 7. Cord Storage Indentation | |

COMPONENT	MODEL NUMBER
BARE VACUUM CLEANER	691252
FILTER	691286
NOZZLE	691285
HOSE	691284

OPERATING THE WET/DRY VACUUM/BLOWER

⚠ WARNING

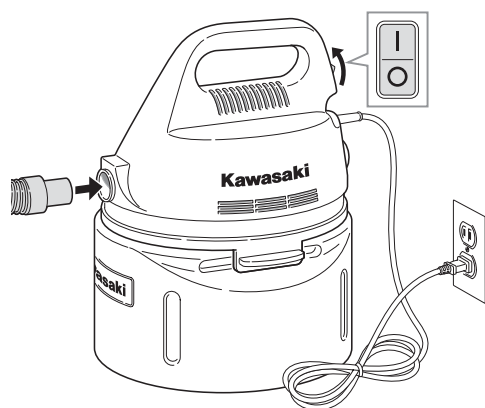
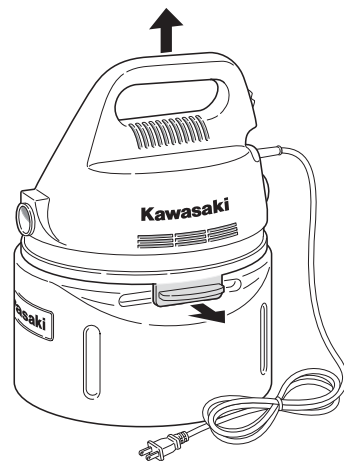
Do not operate the Wet/Dry Vacuum/Blower in areas where flammable gases or explosive dust are present. This will reduce the risk of fire or explosion.

Do not vacuum flammable or combustible liquids or hot ashes.

To reduce the health hazards from vapors or dust, **DO NOT** vacuum toxic materials.

DRY VACUUMING

- Remove motor housing by pulling out on the latches located on either side of the dust container.
- Make sure the filter bag is dry. A wet filter bag will clog if used to vacuum dry material.
- Check that the filter bag is firmly attached to the filter basket. Make sure the rubber band is as close to the cover as possible. Gaps will allow vacuumed material to blow back out through the blower hole.
- Place motor housing on top of the dust container and press down until the latches pop into place.



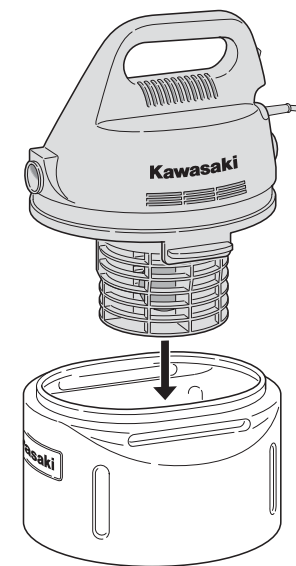
- Insert hose into the vacuum port.
- Plug in power cord and switch power to ON.
- When vacuuming large amounts of debris or very fine dust, empty the dust container and filter bag frequently.
- When vacuuming is completed, turn the switch OFF and unplug the power cord.

WET VACUUMING

- Remove motor housing by pulling out on the latches located on either side of the dust container.
- Remove the filter bag.
- Place motor housing on top of the dust container and press down until the latches pop into place.
- Insert hose into the vacuum port.
- Plug in power cord and switch power to ON.

When the dust container is full of liquid, the float ball will rise to the top and automatically shut off the air flow. The sound of the motor will become more high pitched as the suction ceases and the motor works harder. When this happens, dry off your hands and feet and shut off the motor immediately. **LEAVING THE MOTOR RUNNING WHEN THE BALL IS IN THE RAISED POSITION CAN DAMAGE THE WET/DRY VACUUM/BLOWER.**

Empty dust container before continuing.



EMPTYING THE DUST CONTAINER

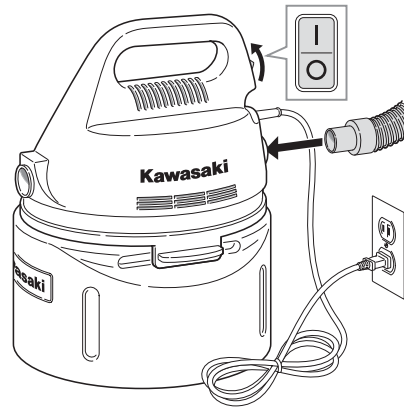
⚠ CAUTION Always unplug the power cord before emptying the dust container to prevent injuries from accidental starting.

- Remove motor housing by pulling out on the latches located on either side of the dust container.
- ALWAYS dispose of container contents wisely. Use proper waste receptacles.
- Clean out dust container thoroughly.
- Replace filter bag.
- Snap motor housing back onto dust container.

BLOWER USE

⚠ WARNING ALWAYS wear ANSI-approved safety glasses when using blower. Particles may fly up into eyes and cause permanent damage. Wear hearing protection if using blower for extended periods. Dust masks are also recommended when blowing fine material.

- Clean out dust container so blower will not spray dust into the air when activated.
- Insert hose into blower port at the rear of Wet/Dry Vacuum/Blower.
- Plug in power cord and switch power to ON.
- **NEVER** point blower hose toward people or animals.
- Use blower to move dirt, sawdust, leaves and other small debris away from patios, garages and driveways.
- When blowing is completed, turn the switch off and unplug the power cord.



MAINTENANCE AND CLEANING

Before each use, make sure dust container is clean and empty. Check filter bag for holes or tears. Clean or replace if necessary.

Wipe motor housing with mild soap and water. NEVER use solvents or harsh chemicals.

Use warm water and mild soap to clean dust container thoroughly. Dry with soft cloth.

DO NOT attempt to service the Wet/Dry Vacuum/Blower yourself. Take the unit to an authorized repair technician.

CLEANING AND REPLACING FILTER

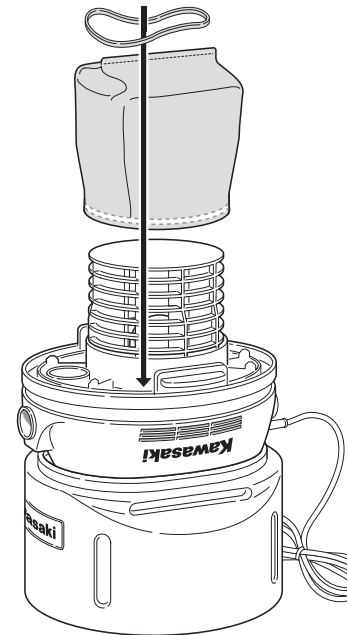
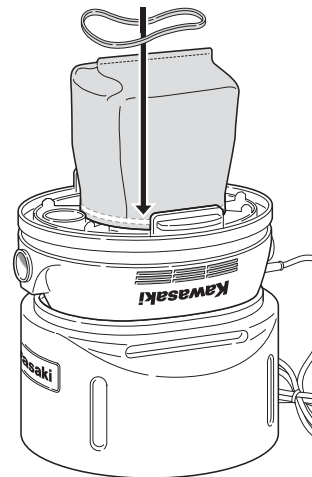
⚠ WARNING ALWAYS unplug Wet/Dry Vacuum /Blower before cleaning or changing the filter bag.

⚠ WARNING NEVER remove filter cage. It is there to prevent injury.

Be careful not to tear the bag when changing or cleaning the filter. NEVER use a filter bag with tears or holes in it. Torn bags will release a great deal of dust.

- Remove motor housing by pulling out on the latches located on either side of the dust container.
- Turn motor housing upside-down and balance on top of dust container.

- Release filter bag by pulling rubber band out around the black plastic posts.
- Pull filter bag off filter cage. Clean or discard.
- Clean area around the top of the filter cage where filter bag will be attached. Removing stray dust particles will ensure a tighter fit.
- Push replacement filter onto filter cage. Make sure bag reaches all the way to the lid.
- Work your way around the filter bag, carefully releasing the rubber band. Make sure that the bag is held securely and that there are no gaps.



- Keep rubber band as close to the lid as possible.
- Turn motor housing over and snap back onto dust container.

STORAGE

ALWAYS empty dust container before storage.

Wrap cord around the indentation at the bottom of the motor housing.

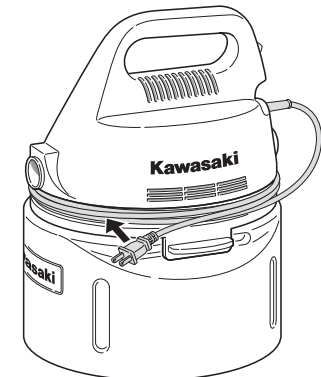
Attach one end of the hose to the blower port and the other to the vacuum port.

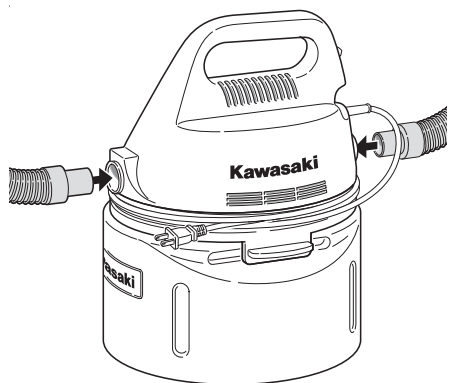
Store indoors in a closed box or covered with a cloth.

STORING THE CORD

Store the power cord by wrapping it around the indentation at the bottom of the motor housing.

ALWAYS fully uncoil power cord before use.





STORING THE HOSE

Attach one end of the hose to the blower port and the other to the vacuum port. This will keep the hose safe and convenient.

ACCESSORIES

Use only accessories that are recommended by the manufacturer for your model. Accessories that may be suitable for one tool may become hazardous when used on another tool.

Always attach grounded (3-prong) extension cords to grounded (3-hole) outlets.

If you must use an extension cord, be sure that the gauge is large enough to carry the amount of current necessary for your power tool. If not, your tool may experience a loss of power, excessive voltage drop or overheating. The smaller the gauge number, the heavier the cord (see table on next page).

RECOMMENDED SIZES OF EXTENSION CORDS 120 VOLT AC 60 HZ TOOLS

TOOL CURRENT RATING	CONDUCTOR SIZE IN A.W.G				
	AMPERE	10FT.	25FT.	50FT.	100FT.
3-6	18	18	18	18	18
6-8	18	18	18	18	16
8-10	18	18	18	18	14
10-12	16	16	14	14	14
12-16	14	12	12	-	-
16-20	12	12	12	-	-

SPECIFICATIONS

SPECIFICATIONS

Voltage	120V ~ 60 Hz
Peak Horsepower	1.5
Holding Capacity	2.2 Gallons
Flex Hose Dimensions	1 5/8" Diameter, 56 3/4" Long
Overall Dimensions	11 1/4" W, 14 1/4"L, 14 3/4" H
Weight	Approx. 7.0 lbs

OTHER CONSUMER DO-IT-YOURSELF (DIY) TOOLS

Alltrade offers a full range of Kawasaki™ tools that make DIY jobs easy. If you would like further information on the following products, please contact Alltrade Customer Service Department at 1-800-590-3723.

Cordless Drills/Screwdrivers

Impact Wrenches

Sanders

Jigsaws

Circular Saws

Angle Grinders

Reciprocating Saws

Routers

Rotary Tools

Corded and Cordless Multi-Purpose Tools

Wide Range of Accessories and more

3 YEAR LIMITED WARRANTY

Express and Exclusive Limited Warranty to Original Retail Buyer

Alltrade Tools LLC (hereinafter "Alltrade") expressly warrants to the original retail purchaser of the accompanying KAWASAKI™ power tool and no one else all parts of the product (except those parts referred to below which are specifically excluded from such warranty (see Exclusions)) to be free from defects in materials and workmanship for a period of three years from original date of purchase, except that such warranty with regard to the battery shall be for a period of two years from original date of purchase, unless the tool is used for commercial or rental purposes.

SPECIAL WARRANTY NOTE FOR COMMERCIAL OR RENTAL USE: The above warranty for this Kawasaki™ power tool, including the battery, shall be effective for only 90 days from the original date of purchase if this tool is used for any **COMMERCIAL OR RENTAL PURPOSE.**

The date of purchase shall be the date of shipment to the original purchaser, or the date the original purchaser took possession, custody or control of the product, whichever occurred first. This warranty shall be null and void if the product or any component thereof is modified or altered. This warranty does not apply to any other product and/or component thereof manufactured or distributed by Alltrade, and does not apply to products and/or components thereof designed, manufactured and/or assembled by others, for which Alltrade makes no warranties whatsoever. **THERE ARE NO WARRANTIES WHICH EXTEND BEYOND THE DESCRIPTION ON THE FACE HEREOF.**

Warranty Performance

By purchasing the product, purchaser expressly acknowledges and agrees that their sole and exclusive remedy under this warranty shall be strictly limited to the repair or replacement of any covered nonconforming items or parts thereof provided that any such nonconforming item and/or part is promptly returned to Alltrade's facility postage pre-paid and insured (address: ALLTRADE Warranty Claims & Repair, 1431 Via Plata, Long Beach, CA 90810, Attn: Customer Service #1-800-590-3723) within the applicable warranty period, with a written request by purchaser that Alltrade repair and/or replace the nonconforming item and/or part. We recommend that you keep the original product packaging in the event you need to ship the unit. We suggest the package be insured against loss or in transit damage. When sending your product include your name, address, phone number, dated proof of purchase (or copy), and a statement about the nature of problem. Warranty coverage is conditioned upon purchaser furnishing Alltrade with adequate written proof that they are the original purchaser and of the original purchase date. Parts returned, freight prepaid and insured, to Alltrade's facility (see above address) will

be inspected and, at Alltrade's option, repaired and/or replaced free of charge if found to be defective and subject to warranty. Alltrade retains the sole discretion to determine whether any item or part is nonconforming and, if so, whether the item and/or part will be repaired and/or replaced. If the unit is repaired, new or reconditioned replacement parts may be used. If Alltrade chooses to replace the product, it may replace it with a new or reconditioned one of the same or comparable design. The repaired or replaced unit will be warranted under the terms of the remainder of the warranty period. Typically, a defective product that is returned within the first 30 days after the purchase date will be replaced; for items returned after the first 30 days and within the warranty period, covered defective parts not subject to normal wear and tear or other exclusions will be repaired or replaced, at Alltrade's option. During the warranty period, Alltrade will be responsible for the return shipping charges. Alltrade's repair and/or replacement of any nonconforming item and/or part thereof shall constitute fulfillment of all obligations to the purchaser. Alltrade shall not be responsible or liable for any expense, including freight charges, or repairs made outside Alltrade's facility, unless expressly agreed to by Alltrade in writing. Under no circumstances shall Alltrade bear any responsibility for loss of the unit, loss of time or rental, inconvenience, commercial loss or consequential damages.

Exclusions

This warranty does not cover parts damaged due to normal wear, abnormal conditions, misapplication, misuse, abuse, accidents, operation at other than recommended pressures or temperatures, improper storage or freight damage. Parts damaged or worn by operation in dusty environments are not warranted. Failure to follow recommended operating and maintenance procedures also voids warranty.

This limited warranty does not apply to accessory items such as drill bits, screwdriving bits, circular saw blades, jigsaw blades, grinding wheels, sanding sheets and other related items.

DAMAGE TO THE PRODUCT RESULTING FROM TAMPERING, ACCIDENT, ABUSE, NEGLIGENCE, FAILURE TO FOLLOW INSTRUCTIONS, UNAUTHORIZED REPAIRS OR ALTERATIONS, DAMAGE WHILE IN TRANSIT TO OUR SERVICE FACILITY, USE OF UNAPPROVED OR IMPROPER ATTACHMENTS OR ACCESSORIES,

COMMERCIAL AND RENTAL APPLICATIONS OR OTHER CAUSES UNRELATED TO PROBLEMS WITH MATERIAL OR WORKMANSHIP ARE NOT COVERED BY THIS WARRANTY.

Alltrade will not be liable for the following: labor charges, loss or damage resulting from improper operation, maintenance or repairs made by other persons; pre-delivery services such as assembly, oil or lubricants, and adjustment; maintenance services that are normally required to maintain the product.

The use of other than genuine Alltrade Repair Parts will void warranty.

Warranty Disclaimers

EXCLUSION AND DISCLAIMER OF ALL OTHER EXPRESS WARRANTIES, GUARANTIES AND/OR REPRESENTATIONS. EXCEPT FOR THE LIMITED WARRANTY PROVIDED ABOVE, ALL OTHER EXPRESS WARRANTIES, GUARANTIES AND/OR REPRESENTATIONS BY ALLTRADE AND/OR ITS REPRESENTATIVE(S) REGARDING THE DESIGN, MANUFACTURE, PURCHASE, USE AND/OR OPERATION OF THE PRODUCT OR ANY COMPONENT THEREOF SOLD HEREUNDER, REGARDLESS OF WHETHER ANY SUCH WARRANTY, GUARANTY AND/OR REPRESENTATION, WRITTEN OR ORAL, ARISES BY OPERATION OF LAW AND/OR EQUITY AND/OR BY ANY ACT OR OMISSION OF ALLTRADE AND/OR ITS REPRESENTATIVE(S), OR THE BUYER, ARE HEREBY EXPRESSLY EXCLUDED AND DISCLAIMED BY ALLTRADE AND/OR ITS REPRESENTATIVES. PURCHASER KNOWINGLY AND WILLINGLY WAIVES ANY AND ALL SUCH WARRANTIES AND RIGHTS, CLAIMS AND/OR CAUSES OF ACTION ARISING THEREFROM OR BASED THEREON. PURCHASER'S SOLE AND EXCLUSIVE REMEDY IS AS STATED ABOVE.

EXCLUSION AND DISCLAIMER OF ALL IMPLIED WARRANTIES, INCLUDING THE IMPLIED WARRANTIES OF MERCHANTABILITY AND FITNESS FOR A PARTICULAR PURPOSE. NO WARRANTY, ORAL OR WRITTEN, OTHER THAN THE ABOVE WARRANTY IS MADE WITH REGARD TO THIS PRODUCT. ALL EXPRESS AND/OR IMPLIED WARRANTIES, GUARANTIES AND/OR REPRESENTATIONS BY ALLTRADE AND/OR ITS REPRESENTATIVE(S) REGARDING THE DESIGN, MANUFACTURE, PURCHASE, USE AND/OR OPERATION OF THE PRODUCT OR ANY COMPONENT THEREOF SOLD HEREUNDER, REGARDLESS OF WHETHER ANY SUCH WARRANTY, GUARANTY AND/OR REPRESENTATION, WRITTEN OR ORAL, ARISES BY OPERATION OF LAW AND/OR EQUITY AND/OR BY ANY ACT OR OMISSION OF ALLTRADE AND/OR ITS REPRESENTATIVE(S), OR THE PURCHASER, INCLUDING BUT NOT LIMITED TO THE IMPLIED WARRANTY OF MERCHANTABILITY AND THE WARRANTY OF FITNESS FOR A PARTICULAR PURPOSE, ARE HEREBY EXPRESSLY EXCLUDED AND DISCLAIMED BY ALLTRADE AND/OR ITS REPRESENTATIVES. PURCHASER KNOWINGLY AND WILLINGLY WAIVES ANY AND ALL SUCH WARRANTIES AND RIGHTS, CLAIMS AND/OR CAUSES OF ACTION ARISING THEREFROM OR BASED THEREON. PURCHASER'S SOLE AND EXCLUSIVE REMEDY IS AS STATED ABOVE.

Limitation Of Liability

IN NO EVENT SHALL ALLTRADE AND/OR ITS REPRESENTATIVE(S) BE LIABLE FOR INDIRECT, INCIDENTAL, SPECIAL AND/OR CONSEQUENTIAL DAMAGES OF ANY KIND ARISING OUT OF OR RELATED TO, DIRECTLY OR INDIRECTLY, ANY BREACH OF ANY PROVISION OF ANY AGREEMENT BETWEEN ALLTRADE AND/OR ITS REPRESENTATIVE(S) AND PURCHASER, ANY WARRANTY HEREUNDER, AND/OR THE EXISTENCE, DESIGN, MANUFACTURE, PURCHASE, USE AND/OR OPERATION OF ANY ITEM(S) SOLD HEREUNDER EVEN IF ALLTRADE AND/OR ITS REPRESENTATIVE(S) HAS BEEN ADVISED OF THE POSSIBILITY OF ANY SUCH DAMAGES. IN NO EVENT, WHETHER AS A RESULT OF A BREACH OF CONTRACT, WARRANTY, TORT (INCLUDING NEGLIGENCE) OR OTHERWISE, SHALL ALLTRADE'S AND/OR ITS REPRESENTATIVE(S)' LIABILITY EXCEED THE PRICE OF THE PRODUCT. ANY AND ALL LIABILITY CONNECTED WITH THE USE OF THIS PRODUCT SHALL TERMINATE UPON THE EXPIRATION OF THE WARRANTY PERIODS SPECIFIED ABOVE.

Limitations on Warranty Disclaimers

Some states do not allow limitations on how long an implied warranty lasts and some states do not allow the exclusion or limitation of the incidental or consequential damages, so part or all of the above limitations or exclusions may not apply to you. This warranty gives you specific legal rights, and you may also have other rights which vary from state to state.

If your product is not covered by this warranty, please call our Customer Service Department toll free at 1-800-590-3723 for general repair information and charges.

Free Manuals Download Website

<http://myh66.com>

<http://usermanuals.us>

<http://www.somanuals.com>

<http://www.4manuals.cc>

<http://www.manual-lib.com>

<http://www.404manual.com>

<http://www.luxmanual.com>

<http://aubethermostatmanual.com>

Golf course search by state

<http://golfingnear.com>

Email search by domain

<http://emailbydomain.com>

Auto manuals search

<http://auto.somanuals.com>

TV manuals search

<http://tv.somanuals.com>