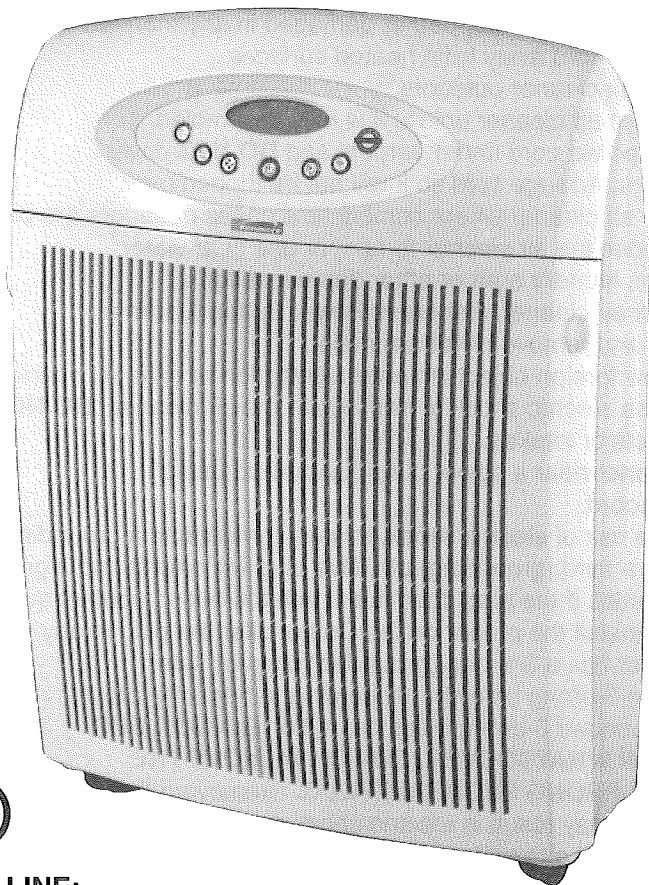


OPERATOR'S MANUAL



ELECTROSTATIC AIR CLEANER MODEL NO. 437.85264



INFO - LINE:

After reading this manual, if you have any questions or comments on your Kenmore Air Cleaner, call 1-888-277-2810

OM-85264

Sears, Roebuck and Co., Hoffman Estates, IL 60179 U.S.A.

IMPORTANT SAFETY INSTRUCTIONS

Please read all instructions before using this product. Save these instructions for easy reference. When using electrical appliances, basic precautions should always be followed to reduce breakage, risk of fire, electric shock and injury to persons including the following.

- Read all instructions before operating the air cleaner.
- Place the air cleaner where it is not easily knocked over by persons in the household.
- **ALWAYS** unplug air cleaner when not in use.
- **DO NOT** use any product with a damaged cord or plug, or if product malfunctions, is dropped or damaged in any manner.
- Keep the power cord away from heated surfaces.
- **DO NOT** use air cleaner outdoors.
- **NEVER** use the air cleaner unless it is fully assembled.
- **DO NOT** run power cord under carpets and **DO NOT** cover with throw rugs. Arrange cord so it will not be tripped over.
- **DO NOT** use air cleaner where combustible gases or vapors are present.
- **DO NOT** expose the air cleaner to rain, or use near water, in a bathroom, laundry area or other damp locations.
- To disconnect air cleaner, first press Power Button to turn air cleaner **OFF** and remove plug from outlet.
- **DO NOT** allow foreign objects to enter ventilation or exhaust opening, as this may cause electric shock or damage to the air cleaner. **DO NOT** block air outlets or intakes.
- Place air cleaner near a power outlet, and avoid using an extension cord.
- To reduce the risk of electric shock, this equipment has a grounding type plug that has a third (grounding) pin. This plug will only fit into a grounding type power outlet. If the plug does not fit into the outlet, contact qualified personnel to install the proper outlet, Do not alter the plug in any way.
- The air cleaner has a 3-prong (grounded) plug for safe operation. The 3-prong plug should be plugged directly into a properly grounded 3-prong electrical outlet. **DO NOT, FOR ANY REASON WHATSOEVER, CUT OR REMOVE THE GROUNDING PRONG FROM THE PLUG.** Removing the grounding plug may result in electric shock or create unsafe condition. Contact a qualified electrician to be sure the outlet is properly grounded.
- A loose fit between the plug and the AC outlet (receptacle) may cause overheating and distortion of the plug. Contact a qualified electrician to replace loose or worn receptacles.
- **DO NOT** sit, stand or place heavy objects on the air cleaner.
- **ALWAYS** disconnect power supply before servicing.



WARNING! To reduce the risk of fire or electric shock, **DO NOT** use this product with any solid-state speed control device.

ONE-YEAR FULL WARRANTY ON KENMORE AIR CLEANER

For one year from the date of purchase, when operated and maintained according to the owner's manual, if any part of this air cleaner fails due to a defect in material or workmanship, **RETURN IT TO ANY SEARS STORE OR OTHER KENMORE OUTLET IN THE UNITED STATES FOR FREE REPLACEMENT.**

This warranty is void if this product is used for commercial or rental purposes.

This warranty gives you specific legal rights, and you may also have other rights which vary from state to state.

Sears, Roebuck and Co., Dept. 817WA, Hoffman Estates, IL 60179

INTRODUCTION

Congratulations on your choice of the Kenmore Electrostatic Air Cleaner. Your new Air Cleaner System quickly and effectively cleans and revitalizes indoor air electrostatically, reducing most commonly found air pollutants such as tobacco smoke, pollen, household dust, pet dander, even mold spores. Designed for outstanding owner convenience, the air cleaner features a washable pre-filter and collecting cell, so there are no filters to buy and replace. Four cleaning power levels let you match the Air Cleaner's performance to your special needs. All operating functions are easily set and adjusted on the well-lighted, user-friendly LCD control panel.

For maximum performance, we highly recommend that you operate the Electrostatic Air Cleaner in the following manner:

- 24 hours a day
- Ionizer ON for the first day
- Ionizer OFF after first day
- Ionizer ON when you require quick cleaning and extra refreshing of room air

SET UP

Your Electrostatic Air Cleaner was thoroughly inspected and tested at the factory prior to packaging. Visually inspect it upon removal from the box. Remove and discard any packing material. Return the unit if it shows any signs of damage or mishandling.

Contents:

- Electrostatic Air Cleaner
- 2 Protective Screens (Only used when cleaning the Collecting Cell in a dishwasher...see pg. 12)

Place air cleaner near a power outlet, and avoid using an extension cord. Lock the caster wheels to prevent the air cleaner from moving.

ELECTRICAL HOOKUP

Plug the Electrostatic Air Cleaner into a properly grounded, 3-prong household AC outlet. If you are not sure whether the outlet is properly grounded, have it checked out by a qualified electrician.



WARNING! To avoid the risk of fire or electric shock hazard, the Electrostatic Air Cleaner should **ONLY** be plugged into a properly grounded 3-prong, 120-Volt AC outlet.



CAUTION: NEVER operate the Electrostatic Air Cleaner until it is completely and fully assembled. Permanent damage could result to the motor and controls.



Your Electrostatic Air Cleaner is equipped with 4 casters for portability. Use the locking levers to help keep the air cleaner in place.

HOW IT WORKS

Dirty air is drawn through the front grill and passes through a 3-stage cleaning system (See Fig. 1).

Stage 1

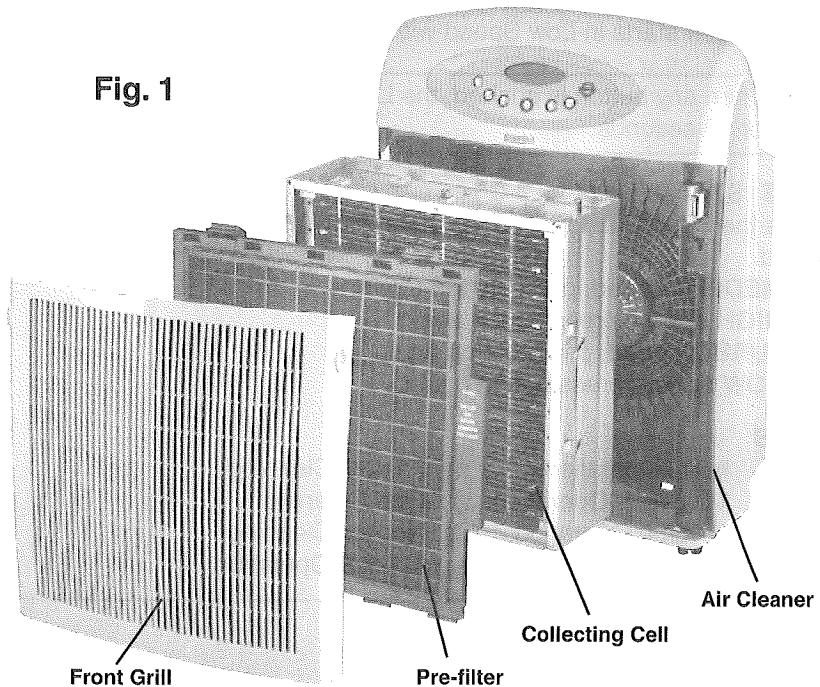
The washable Pre-filter prevents larger particles from passing through into the Collecting Cell.

Stage 2

The Collecting Cell has a 2-part function. First, the dirt particles not trapped by the Pre-filter are electrically charged by fine ionizing wires. Second, the charged particles are then attracted to and collected by the Collector Plates. Dirt, pollen and smoke particles are captured and held by the collector plates in the cell. These electrically grounded plates hold the dirt until the cell is removed and washed.

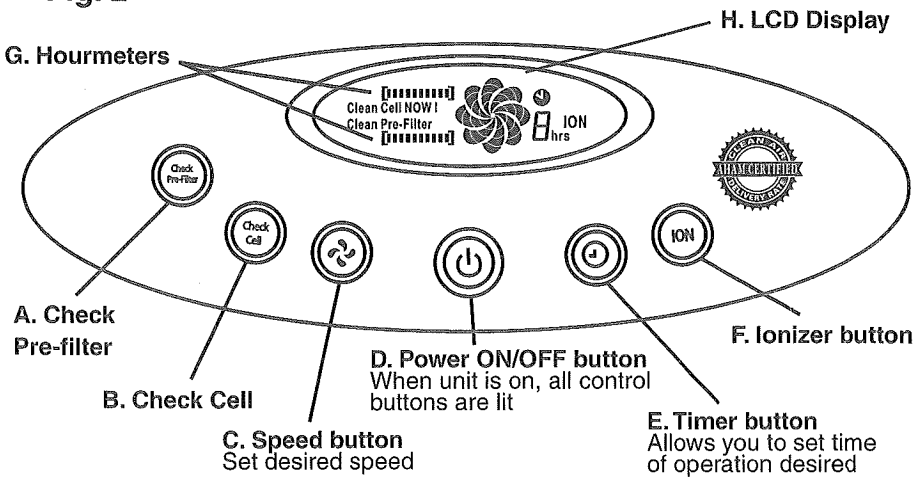
Stage 3

The Ionizer, when turned ON, adds negative ions to the exiting stream of clean air. This function provides additional air freshening and revitalization.



OPERATION

Fig. 2



POWER ON/OFF TO START AIR CLEANER (See Fig. 2 D)

Press the Power Button.

The LCD screen and the buttons will light up.

The air cleaner starts in Low Speed with the Ionizer On and the Timer Off.

NOTE: When any button is pushed, the LCD will have back lighting for 30 seconds.

TO SET SPEED (See Fig. 2 C)

1. Press the Speed Button. The Air Cleaner is at low speed.
2. For **MEDIUM** speed, press button again.
3. For **HIGH** speed, press button again.
4. For **TURBO** speed, press button again.
5. For **LOW** speed, press button again.

SPEEDS

TURBO	Initial Operation.....Fastest Cleaning
HI	Maximum Operation.....Fast Cleaning
MED	Daytime Operation.....Normal Cleaning
LO	Nighttime Operation.....Quieter Operation

OPERATION cont.

Each time you start your Air Cleaner, we recommend that you run it at Turbo speed for a few minutes for fast initial cleaning. The Ionizer, when turned ON, adds negative ions to the exiting stream of clean air. This function provides additional air freshening and revitalization. Then set it to HI, MED, or LO as desired.

TO TURN IONIZER ON/ OFF (See Fig. 2 F)

Press the Ionizer Button to turn Ionizer ON. The ION icon on control board will light up. To turn Ionizer OFF, push button again.

TO SET TIMER BUTTON (See Fig. 2 E)

Your air cleaner has a timer function that allows you to select the number of hours you want it to run and then shut off.

Press timer button once and the air cleaner will run for 1 hour.

Each time you press the button extends the time 1 hour.

Example: 2 pushes = 2 hours, 4 pushes = 4 hours, etc. Up to 8 pushes = 8 hours.

For Continuous Running: Push button 9 times.

NOTE: When the unit is first turned ON, it is normal to hear snapping sounds that are a result of arcing in the cell. Cell arcing may be caused by high humidity (70% or more) in the room, by hair or large particles of dirt caught in the cell, or by dampness remaining in the cell after it is washed. If snapping sounds do not eventually stop, TURN UNIT OFF and follow instructions for CLEANING THE CELL.

MAINTENANCE

CLEANING SCHEDULE

Your air cleaner also has built-in cleaning reminders to let you know when the Pre-Filter and Collecting Cell should be cleaned.

The Pre-Filter and Collecting Cell require periodic cleaning in order for the air cleaner to operate at peak efficiency. The frequency of cleaning will depend on the environment in which the air cleaner is used. Icons on the LCD and flashing lights will alert the user to the need for cleaning the Pre-Filter and the Cell.

HOURLMETERS [|||||||]

- A bar will appear in the Pre-Filter hourmeter after each 125 hours of use. When all 10 bars appear, clean Pre-Filter.
- A bar will appear in the Cell hourmeter after each 250 hours of use. When all 10 bars appear, clean Collecting Cell.
- To manually reset the Pre-Filter and/or Cell Hourmeter, press and hold the Check Pre-Filter and/or Check Cell button for a minimum of 3 seconds. No Hourmeter bars should appear in the display after resetting.

After running approximately 7 weeks, 24 hours a day, the Check Pre-Filter button will begin flashing to remind you that the pre-filter should be cleaned. After running approximately 14 weeks, 24 hours a day, the Clean Cell button will begin flashing to remind you that the cell should be cleaned.

Please note that these pre-set cleaning schedules are based on factory recommended times under normal use. The unit may need to be cleaned earlier depending on the environment. You should occasionally give the Pre-Filter a visual check.

CELL OVERLOAD REMINDER

In a room with an abnormally high level of air pollutants, the Cell may need to be cleaned sooner than the hourmeter indicates. The unit will shut OFF, the Check Cell button will begin flashing, and "Clean Cell NOW!" will flash in the LCD display. Unplug the unit from electrical outlet, and clean Cell before turning unit back ON. Press and hold the Check Cell button for a minimum of three(3) seconds to reset.



WARNING! To avoid serious injury from electric shock **ALWAYS** turn the air cleaner **OFF** and disconnect the plug from the outlet **BEFORE** cleaning.

MAINTENANCE

CLEANING THE PRE-FILTER

When the **Check Pre-Filter** light is flashing (See fig. 2 A), it is time to clean the pre-filter.

1. Turn off the air cleaner by pressing the Power Switch. Then unplug the unit from the electrical outlet.



CAUTION: To avoid harmless static shock that may occur, **DO NOT** touch unit for 2 minutes after turning OFF and unplugging.

2. Firmly grasp the notches on both sides of the front grill and pull the grill outward and remove.
3. There are 2 built-in retention clips on the top edge of the pre-filter. Push the top of the 2 clips and gently swing the pre-filter outward.
4. Lift up the pre-filter to remove it from air cleaner.
5. The pre-filter can be cleaned by gently vacuuming it, using the upholstery brush on your vacuum cleaner.
6. Now wash the pre-filter using warm, soapy water. Use a mild dish washing liquid detergent that is non-chlorine and non-abrasive.
7. Rinse the pre-filter thoroughly with clean, warm water.
8. Use paper towels to wipe off any excess water on the pre-filter frame.
9. **ALLOW THE PRE-FILTER TO DRY THOROUGHLY.**
A hand-held dryer may be used to speed dry Pre-Filter after washing.

RE-INSTALLING CLEAN PRE-FILTER

1. Place the completely dry pre-filter back into the air cleaner.
2. Fit the tabs on the bottom of the pre-filter into the slots at the base of cell cavity.
3. Push the pre-filter forward until the retention tabs snap into place.
4. Wipe off the front grill with a damp cloth.
5. Place front grill into the air cleaner front so that the tabs on the bottom engage into the slots at base of unit.
6. Gently push the front grill forward until the magnetic latches catch and hold the grill in place.

MAINTENANCE

7. Plug the air cleaner back into a properly grounded 3-prong outlet.
8. Press the power On button.
9. Press the Check Pre-filter button to reset it.

CLEANING THE CELL (See Fig. 3)

When the **Check Cell** light is flashing, it is time to clean the cell.

1. Turn Off the air cleaner by pressing the Power Button.
Then unplug the unit from the electrical outlet.



CAUTION: To avoid harmless static shock that may occur, **DO NOT** touch unit for two minutes after turning OFF and unplugging.

2. Remove the pre-filter (See Cleaning the Pre-Filter on page 9)

NOTE: When you clean the cell, it is also a good time to clean the pre-filter.

3. Swing out the two handles on either side of the cell.
4. Firmly hold these handles and lift the cell up and out of the air cleaner.

IMPORTANT: Be extremely careful and **DO NOT TOUCH** the fine ionizing wires and collection plates on the cell.

The cell can be washed either of 2 ways: in a tub of water or in a dishwasher that is large enough.



WARNING: Some edges of the cell are sharp, so handle it with extreme care.

MAINTENANCE

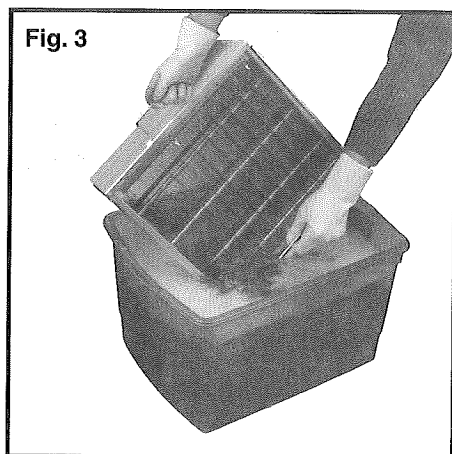
Washing Cell in a Tub of Hot Water; Recommended Method (See Fig. 3)

1. Fill a tub large enough to hold the entire cell with hot water (140° to 160°F.) and add detergent. Use a mild dishwashing liquid that is non-chlorine and non-abrasive. Agitate the solution for proper mixture.

NOTE: Wear gloves to protect your hands.

2. Hold the bale handles on the cell and let it soak for about 10 minutes and then remove cell.
3. Now take cell and dip it in the solution several times to remove any final particles of dirt.
4. Thoroughly rinse by placing the cell in a tub of clean hot water.
5. Remove the cell and place in a position to drain all the excess water.
6. **ALLOW THE CELL TO DRY THOROUGHLY.**
A hand-held dryer may be used to speed dry cell after washing.
7. Carefully place cell back into the air cleaner and swing handles inward.
8. Follow instructions RE-INSTALLING CLEAN PRE-FILTER to complete installation (See page 9).
9. Plug the Air Cleaner into a properly grounded 3-prong outlet.
10. Press Power On Button.
11. Press Check Button to reset it.

IMPORTANT: NEVER use any tool, brush or similar object to clean between the collector plates in the cell. Doing this can damage the fine ionizing wires or the collector plates. **NEVER** place the cell in an oven to dry.



MAINTENANCE

Washing Cell in a Dishwasher (See Figures 4 and 5)

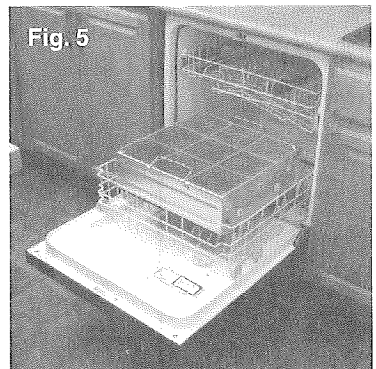
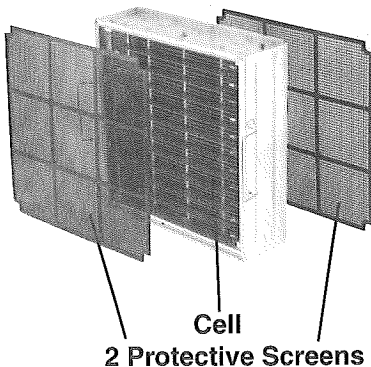
NOTE: The dishwasher cavity must be large enough to accommodate the cell without any interference with moving parts in the dishwasher.

CAUTION: DO NOT use dishwashing detergent when cleaning cell in automatic dishwasher. Dishwasher detergent is abrasive and may damage cell. **Operate dishwasher with hot water only.**

1. The 2 protective screens (Fig. 5) provided **MUST BE** attached to the cell **BEFORE** placing the cell in the dishwasher (Fig. 5) to avoid damage to the ionizing wires and the collector plates on the cell.
2. After the cell is washed and dried in the dishwasher, it may be hot to the touch. Let it cool before handling.
3. The protective screens **MUST BE REMOVED BEFORE** placing the cell back into the air cleaner. The air cleaner can be damaged if the protective screens are left on the cell.
4. After removing the protective screens, place them into storage for future use.
5. **CHECK TO MAKE SURE CELL IS COMPLETELY DRY.**
6. Carefully place cell back into the air filter, following instructions **WASHING CELL IN A TUB OF HOT WATER** to complete installation
7. Press Power Button to turn On and press Check Cell Button to reset.

REMEMBER: Be extremely careful and **DO NOT TOUCH** the fine ionizing wires and collection plates on the cell.

Fig. 4



2 Protective Screens attached to cell for washing in a dishwasher

MAINTENANCE

Extra Cleaning of Cell

Occasionally, a few particles of dirt may pass through the pre-filter and enter the cell. The cell will begin making snapping sounds. If the snapping sounds continue, turn off the unit and wash the cell as described in the previous two sections.

GENERAL CLEANING

To Clean the Outside of the Air Cleaner Cabinet

1. Turn Off the air cleaner by pressing the Power Switch. Then unplug the unit from the electrical outlet.
2. Use a soft, damp cloth to gently wipe dirt away from the cabinet and grills.

IMPORTANT: NEVER use any abrasive cleaners to clean cabinet or grills. **DO NOT** pour or splash water on the air cleaner.

STORAGE

1. Turn Off the air cleaner by pressing the Power Button. Then unplug the unit from the electrical outlet.
2. Clean cabinet and grills. Thoroughly dry all parts.
3. **ALWAYS** clean pre-filter and cell before storing.
4. Cover the air cleaner and store in a suitable clean, dry environment.

MAINTENANCE

TROUBLESHOOTING

PROBLEM

Unit will not start when On Button is pushed.

SOLUTION

1. Check to be sure that the power cord is plugged into a properly-grounded 3-prong 120-v., AC outlet.
2. Check the electrical outlet by plugging in a working appliance or test light.
3. Unplug the unit. Remove and reassemble the front grill to make sure it is properly fitted. If the grill was not fitted properly the unit will not start.

TECHNICAL SPECIFICATIONS

Model	85264
Width	20 - ⁷ / ₈ in. (53cm)
Height	27 - ⁷ / ₈ in. (70.9cm)
Depth	14 - ¹ / ₈ in. (35.9cm)
Weight	40.3 lbs. (18.3 kg)
Input Voltage	120 volts AC, 60 Hz

REPLACEMENT PARTS

Protective Screens	85160
Pre-Filter	85161
Collecting Cell	85162

Get it fixed, at your home or ours!

Your Home

For repair – **in your home** – of **all** major brand appliances, lawn and garden equipment, or heating and cooling systems, **no matter who made it, no matter who sold it!**

For the replacement parts, accessories and owner's manuals that you need to do-it-yourself.

For Sears professional installation of home appliances and items like garage door openers and water heaters.

1-800-4 -MY-HOME®
(1-800-469-4663)
www.sears.com

Anytime, day or night
(U.S.A. and Canada)
www.sears.ca

Our Home

For repair of carry-in items like vacuums, lawn equipment, and electronics, call or go on-line for the location of your nearest

Sears Parts & Repair Center.

1-800-488-1222

Call anytime, day or night (U.S.A. only)

www.sears.com

To purchase a protection agreement (U.S.A.) or maintenance agreement (Canada) on a product serviced by Sears:

1-800-827-6655 (U.S.A.)

1-800-361-6665 (Canada)

Para pedir servicio de reparación a domicilio, y para ordenar piezas:

1-888-SU-HOGARSM
(1-888-784-6427)

Au Canada pour service en français:

1-800-LE-FOYER^{MC}
(1-800-533-6937)
www.sears.ca

The Sears logo is displayed in a stylized, bold, serif font. The word "Sears" is written in a dark color, with a light-colored shadow or outline beneath the letters, giving it a three-dimensional appearance. The logo is centered horizontally on the page.

Free Manuals Download Website

<http://myh66.com>

<http://usermanuals.us>

<http://www.somanuals.com>

<http://www.4manuals.cc>

<http://www.manual-lib.com>

<http://www.404manual.com>

<http://www.luxmanual.com>

<http://aubethermostatmanual.com>

Golf course search by state

<http://golfingnear.com>

Email search by domain

<http://emailbydomain.com>

Auto manuals search

<http://auto.somanuals.com>

TV manuals search

<http://tv.somanuals.com>