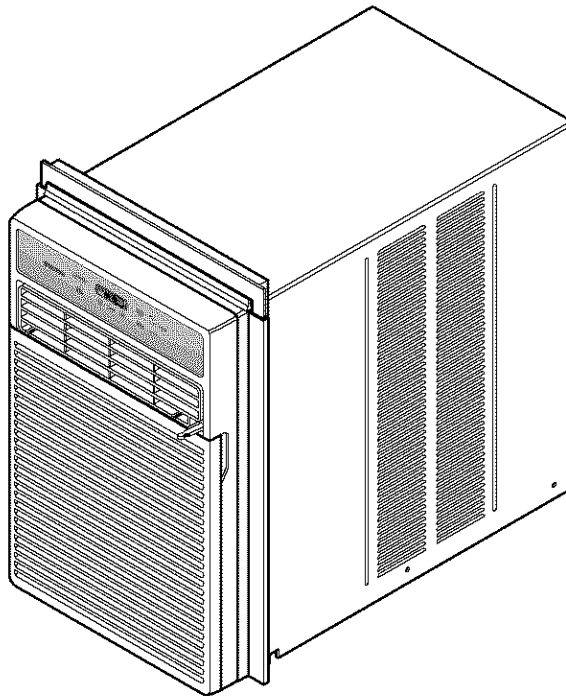


**Owner's Manual**  
**Manual del Propietario**



**SLIDER/CASEMENT AIR CONDITIONER**  
**HORIZONTAL/MARCO ACONDICIONADOR DE AIRE**

**Model, Modelo 580. 75063 580. 75123**



**ENGLISH**

**ESPAÑOL**

**Distributed by Sears, Roebuck and Co., Hoffman Estates, IL 60179**  
**[www.sears.com](http://www.sears.com)**

# TABLE OF CONTENTS

|  |   |   |            |
|--|---|---|------------|
| <b>TABLE OF CONTENTS</b> .....               | 2 | Capacity and Running Time.....                  | 9          |
| <b>WARRANTY</b> .....                        | 2 | Features .....                                  | 10         |
| <b>SAFETY</b> .....                          | 3 | Using the Air Conditioner .....                 | 10         |
| Important Safety Instructions.....           | 3 | Display .....                                   | 11         |
| <b>ELECTRICAL REQUIREMENTS</b> .....         | 4 | Air Direction Adjustment.....                   | 11         |
| <b>INSTALLING THE POWER CORD</b> .....       | 4 | Remote Control .....                            | 12         |
| <b>INSTALLATION</b> .....                    | 5 | How To Insert Batteries Into Remote Control ... | 12         |
| Installation Requirements.....               | 5 | <b>MAINTENANCE</b> .....                        | 13         |
| Installation .....                           | 6 | Air Filter Cleaning.....                        | 13         |
| Horizontal Sliding Window Installation ..... | 6 | Air Conditioner Cleaning .....                  | 13         |
| Casement Window Installation .....           | 8 | How to Remove the Front Grille .....            | 13         |
| Removal From Window .....                    | 8 | How to Replace the Front Grille .....           | 13         |
| <b>OPERATION</b> .....                       | 9 | <b>TROUBLESHOOTING</b> .....                    | 14         |
| How and Why.....                             | 9 | Before Calling for Service .....                | 14         |
| Normal Sounds .....                          | 9 | <b>ESPAÑOL</b> .....                            | 16         |
|  |   | <b>SERVICE NUMBERS</b> .....                    | Back Cover |

## WARRANTY

### **FULL ONE YEAR WARRANTY ON ROOM AIR CONDITIONER**

For one year from the date of purchase, when this air conditioner is operated and maintained for normal room cooling according to instructions in this owner's manual, Sears will repair this air conditioner, free of charge, if defective in material or workmanship.

### **FULL FIVE-YEAR WARRANTY ON SEALED REFRIGERATION SYSTEM**

For five years from the date of purchase, when this air conditioner is operated and maintained for normal room cooling according to instructions in this owner's manual, Sears will repair the sealed refrigeration system (consisting of refrigerant, connecting tubing, and compressor), free of charge, if defective in material or workmanship.

### **WARRANTY SERVICE IS AVAILABLE BY CONTACTING SEARS SERVICE AT 1-800-4-MY-HOME®.**

Warranty coverage applies only to air conditioners used for non-commercial, private household purposes.

This warranty applies only while this product is in use in the United States.

This warranty gives you specific legal rights, and you may also have other right which vary from state to state.

**Distributed by Sears, Roebuck and Co., Hoffman Estates, IL 60179**

# SAFETY

## IMPORTANT SAFETY INSTRUCTIONS

The safety instructions below will tell you how to use your room air conditioner to avoid harm to yourself or damage to your ROOM AIR CONDITIONER.

### **⚠ WARNING FOR YOUR SAFETY**

Do not store or use gasoline or other flammable vapors and liquids in the vicinity of this or any other appliance. Read product labels for flammability and other warnings.

### **⚠ WARNING PREVENT ACCIDENTS**

To reduce the risk of fire, electrical shock, or injury to persons when using your air conditioner, follow basic precautions, including the following:

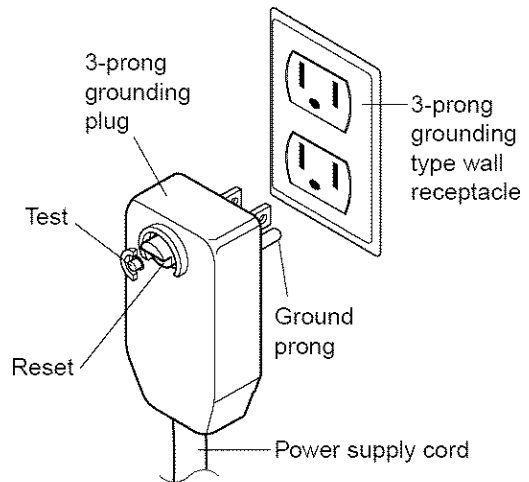
- Be sure the electrical service is adequate for the model you have chosen.
- If the air conditioner is to be installed in a window, you will probably want to clean both sides of the glass first. If the window is a triple-track type with a screen panel included, you may want to remove the screen completely before installation.
- Be sure the air conditioner has been securely and correctly installed according to the separate installation instructions provided with this manual. Save this manual and installation instructions for possible future use in removing or reinstalling this unit.
- Use gloves when handling the air conditioner. Be careful to avoid cuts from sharp metal fins on front and rear coils.

### **⚠ WARNING ELECTRICAL INFORMATION**

The complete electrical rating of your new room air conditioner is stated on the serial plate. Refer to the rating when checking the electrical requirements.

- Be sure the air conditioner is properly grounded. To minimize shock and fire hazards, proper grounding is important. The power cord is equipped with a three-prong grounding plug for protection against shock hazards.
- Your air conditioner must be plugged into in a properly grounded wall receptacle. If the wall receptacle you intend to use is not adequately grounded or protected by a time delay fuse or circuit breaker, have a qualified electrician install the proper receptacle.
- Do not run air conditioner with a protective covering. This could result in mechanical damage within the air conditioner.
- **Do not use an extension cord or an adapter plug.**

**⚠ WARNING** Avoid fire hazard or electric shock. Do not use an extension cord or an adapter plug. Do not remove any prong from the power cord.



## ENERGY SAVING IDEAS

- The capacity of the room air conditioner must fit the room size for efficient and satisfactory operation.
- Install the room air conditioner on the shady side of your home. A window that faces north is best because it is shaded most of the day.
- Do not block air flow inside with blinds, curtains, or furniture, or outside with shrubs, enclosures, or other buildings.
- Close the floor and wall registers and the fireplace damper so cool air does not escape up the chimney and into the duct work.
- Keep blinds and drapes in other windows closed during the sunniest part of the day.
- Clean the air filter as recommended in the MAINTENANCE section of this manual.
- Proper insulation and weather stripping in your home will help keep warm air out and cool air in.
- External house shading with trees, plants or awnings will help reduce the air conditioner's work load.
- Operate heat producing appliances such as ranges, washers, dryers, and dishwashers during

# ELECTRICAL REQUIREMENTS

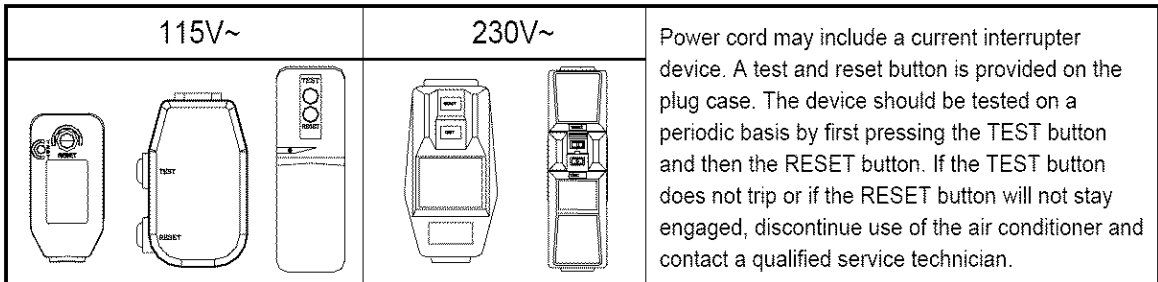
**OBSERVE ALL LOCAL CODES AND ORDINANCES. DO NOT, UNDER ANY CIRCUMSTANCES, REMOVE THE POWER SUPPLY CORD GROUND PRONG. ELECTRICAL GROUND IS REQUIRED ON THIS APPLIANCE.**

For 230/208 volt 60 Hz, AC only, 15A fused and properly grounded electrical supply is required. A time delay fuse or time delay circuit breaker is recommended. Use a dedicated circuit, serving only this appliance.

**DO NOT USE AN EXTENSION CORD.**

## RECOMMENDED GROUNDING METHOD

For your personal safety, this appliance must be grounded. This appliance has a power supply cord with a 3-prong grounding plug. To minimize possible shock hazard, the cord must be plugged into a mating grounding type wall receptacle and grounded in accordance with the National Electrical Code (ANSI/NFPA 70) latest edition and all local codes and ordinances. If a mating wall receptacle is not available, it is the personal responsibility and obligation of the customer to have a properly grounded 3-prong wall receptacle installed by a qualified electrician.



**NOTE:** The shape may be different according to its model.

| Use Wall Receptacle  | Power Supply   |
|--|--|
| <p>Standard 125V, 3-wire grounding receptacle rated 15A, 125V AC</p> | <p>Use 15 AMP. time delay fuse or 15 AMP. circuit breaker.</p> |
| <p>Standard 250V, 3-wire grounding receptacle rated 15A, 250V AC</p> |  |
| <p>Standard 250V, 3-wire grounding receptacle rated 20A, 250V AC</p> | <p>Use 20 AMP. time delay fuse or 20 AMP. circuit breaker.</p> |

**⚠ WARNING**

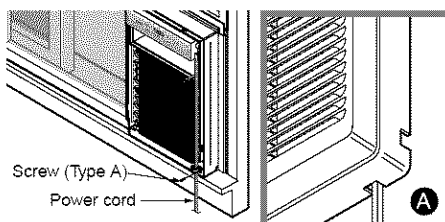
Electrical Shock Hazard  
 Plug into a grounded 3 prong outlet.  
 Do not remove ground prong.  
 Do not use an adapter.  
 Do not use an extension cord.  
 Failure to follow these instructions can result in death, fire, or electrical shock.

# INSTALLING THE POWER CORD

You can choose between the two methods below according to your preference and window sill shape.

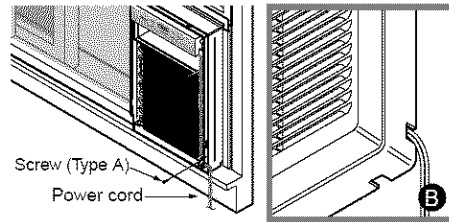
## USING SLIT "A"

Fasten the stopper using Type A screw, and lead the power cord out through slit "A".



## USING SLIT "B"

Fasten the stopper using left screw hole, and rotate properly to lead the power cord out through slit "B".

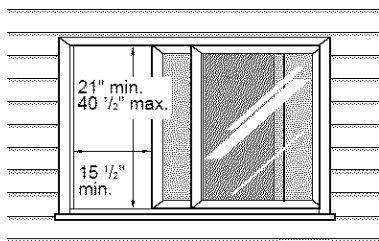


# INSTALLATION

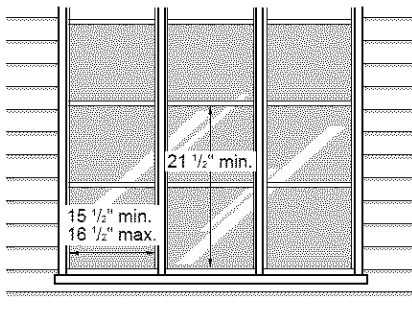
## INSTALLATION REQUIREMENTS

These instructions are for a horizontal sliding or a casement window. The electrical outlet must be within reach of the power cord.

Side louvers and the rear of the air conditioner must have clear air space to allow enough air flow through the condenser for heat remove. The rear of the unit must be outdoors, not inside a building or garage.



Horizontal sliding window



Casement window

## ELECTRICAL SERVICE

Check your available electrical service. The power supply available must be the same as that shown on the unit nameplate (found on right side of cabinet).

All models are equipped with a 3-prong service plug to provide proper service and safe positive grounding. Do not change plug in any way. Do not use an adapter plug. If your present wall outlet does not match your plug, call a qualified electrician to make the necessary corrections.

SAVE CARTON and this OWNER'S MANUAL for future reference. The carton is the best way to store unit during winter or when not in use.



## CAUTION

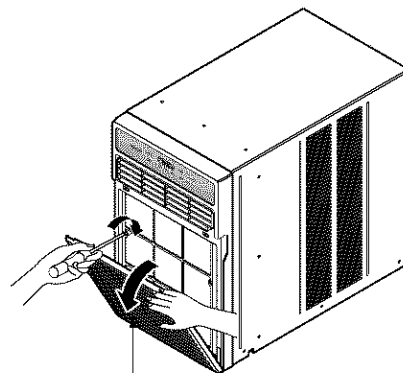
To avoid risk of personal injury, property damage, or product damage due to the weight of this device and sharp edges that may be exposed:

- Air conditioners covered in this manual pose an excessive weight hazard. Two or more people are needed to move and install the unit. To prevent injury or strain, use proper lifting and carrying techniques when moving unit.
- Carefully inspect location where air conditioner will be installed. Be sure it will support the weight of the unit over an extended period of time.
- Handle air conditioner with care. Wear protective gloves whenever lifting or carrying the unit. AVOID the sharp metal fins of front and rear coils.
- Make sure air conditioner does not fall during installation.

## NOTE!

Before using the air conditioner secure the front grille with two screws enclosed with the owner's manual.

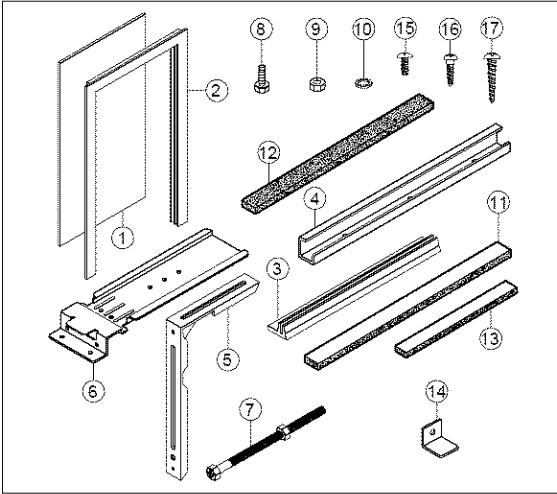
1. Open the inlet grille downward and remove the air filter.
2. Fasten the front grille with screws.
3. Reinstall the air filter.
4. Close the inlet grille.



Inlet Grille

# INSTALLATION

## INSTALLATION HARDWARE



| NO. | NAME OF PARTS       | Q'TY |
|-----|---------------------|------|
| 1   | Curtain             | 1    |
| 2   | Curtain Frame       | 1    |
| 3   | Upper Guide         | 1    |
| 4   | Side Guide          | 2    |
| 5   | Support Bracket     | 1    |
| 6   | Bracket             | 1    |
| 7   | Leveling bolt & nut | 1    |
| 8   | Bolt                | 2    |
| 9   | Nut                 | 2    |
| 10  | Washer              | 2    |
| 11  | Side Guide seal     | 1    |
| 12  | Foam Seal Strip     | 1    |
| 13  | Window Track Seal   | 1    |
| 14  | L Bracket           | 1    |
| 15  | Screw (Type A)      | 9    |
| 16  | Screw (Type B)      | 3    |
| 17  | Screw (Type C)      | 8    |

### REQUIRED TOOLS:

- Tight Fitting gloves
- Standard screwdriver
- Phillips screwdriver
- Pliers
- Sharp knife
- 3/8-inch open end wrench or adjustable wrench
- 1/4-inch hex socket and ratchet
- Tape measure
- Electric drill
- 1/4-inch drill bit

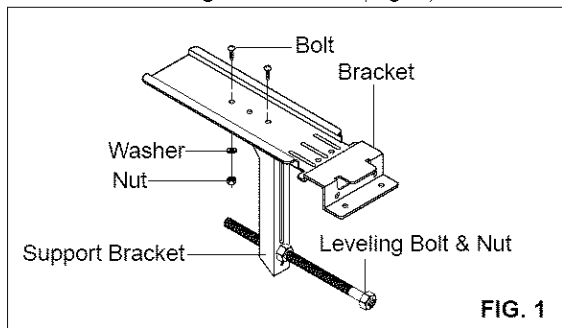
## INSTALLATION

Pick a location that will allow the air conditioner to blow the cold air into the area you want. Windows used for installation must be strong enough to support the weight of the air conditioner. Good installation with special attention to the proper position of the unit will lessen the chance that service will be needed.

When cooling more than one room, installation location is very important. To cool your rooms, cold air must be blown from the air conditioner in a straight path.

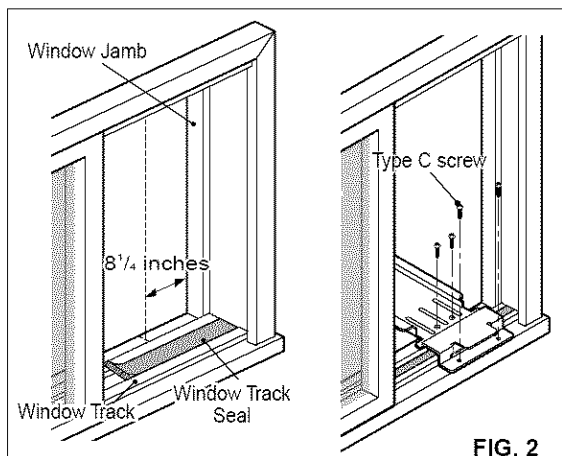
## HORIZONTAL SLIDING WINDOW INSTALLATION

**1** Loosely attach the Support Bracket to the bottom of Bracket using Bolts, Washer, and Nuts. Attach the Leveling bolt and nut. (Fig. 1)



**2** Remove protective backing from Window Track Seal and apply seal to window track. (Fig.2)

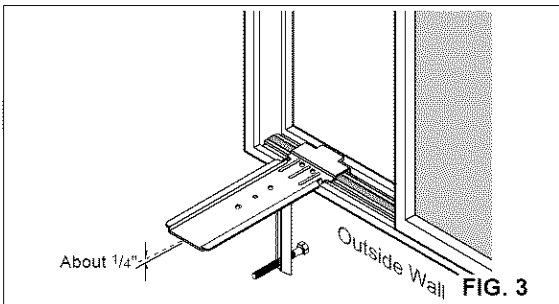
**3** Measure and lightly mark a line 8-1/4 inches from window jamb. Center the Support Bracket assembly on the window track and fasten with 4 Type C screws.(Fig. 2)



# INSTALLATION

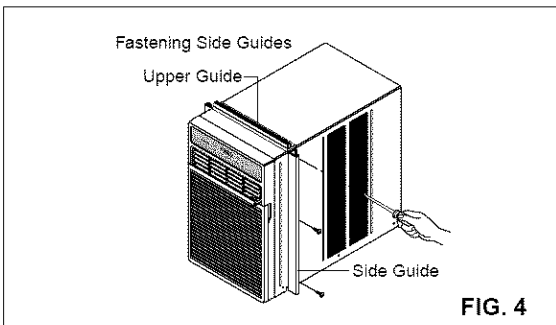
- 4** Put the Support Bracket against the outside wall and tighten the Bolts on top of the Bracket. Adjust the Leveling Bolt so that the air conditioner will be installed with a very slight tilt (about 1/4") downward toward the outside for proper drainage. Tighten the nut. (Fig. 3)

**NOTE:** DO NOT drill a hole in the bottom of the base pan. The air conditioner is designed to operate with the bottom of the base pan approximately half-full of water.

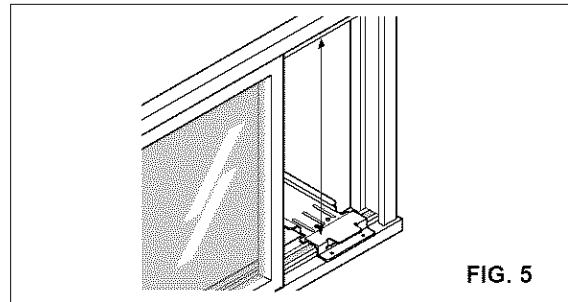


- 5** Fasten Side Guides to the sides of the Air Conditioner using 3 Type A screws per Guide. Start with first screw at middle of Guide. (Fig. 4)

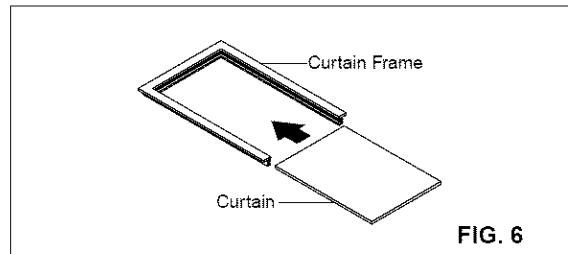
- 6** Fasten Upper Guide on the top of the Air Conditioner using 3 Type A screws. (Fig. 4)



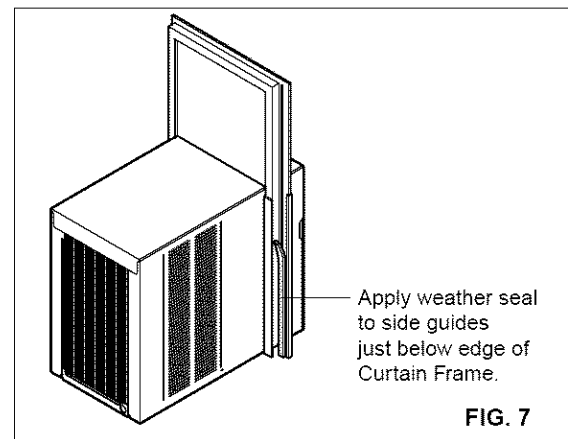
- 7** Measure height of window opening from top of Bracket assembly as shown Fig. 5. Subtract 20-3/4 inches. Mark this measurement on Curtain and cut the Curtain. (Fig. 5)



- 8** Slide Curtain into Curtain Frame. Slide Curtain Frame assembly into side Guides of the Air Conditioner cabinet. Make sure Curtain is firmly enclosed on all sides by the Frame. (Fig. 6)



- 9** Cut side Guide seal into 2 equal lengths. Remove protective backing and apply it to the rear side of cabinet Side Guides, starting just below Curtain Frame assembly. Pinch off excess length so seal is even with the bottom of side Guide. (Fig. 7)



# INSTALLATION

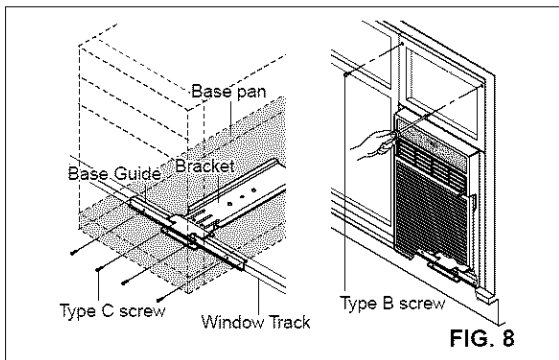
**10** Place Air Conditioner in window opening. It should sit on Bracket assembly so that Curtain Frame and cabinet Side Guides are against top and side window jambs. Mate front of Bracket with Base Guide attached to the bottom of base pan.

**11** Drill 1/8 inch holes in window track through the existing holes on Base Guide. Screw 4 Type C screws through the holes. (Fig. 8)

**12** If this is a casement window installation, proceed to Casement Window Installation. If not, slide inner window sash firmly against side of the cabinet.

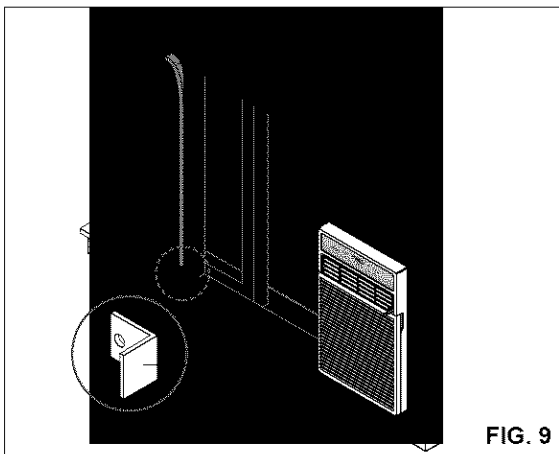
**13** Drill 1/8 inch hole in window jamb to align with the existing holes in the Curtain Frame. Attach Curtain Frame to window frame with 2 Type B screws. (Fig. 8)

**NOTE:** Check all seals and plug any remaining air gaps with a suitable weatherproof caulk.



**14** If this is a casement window installation, proceed to Casement Window Installation. If not, stuff the Foam Seal Strip between the vertical sash and the window glass. (Fig. 9)

**15** Attach the L Bracket with a Type B screw. (Fig. 9)



## CASEMENT WINDOW INSTALLATION

- Installation procedure is the same as that described in steps 1 through 11 and step 13 of the Horizontal Sliding Window installation.
- If the window opening is wider than 15-3/4 inches you will need to install a filler panel. Make this panel from 3/4 inch thick wood and run it the full length of the window. Attach it securely to the window frame and paint it to protect it from the weather.
- Since there is a wide variety of casement window styles and sizes, these instructions may not be exactly suited to your particular situation. To ensure best results, have the work performed by someone skilled in installing casement window air conditioners.

## REMOVAL FROM WINDOW

- Turn off and unplug the air conditioner.
- If horizontal sliding window, remove the L Bracket from window frame and the Foam Seal Strip from between the windows.
- Remove the Safety Bracket that you installed in Step 12.
- Unscrew the Curtain Frame from the window frame.
- Remove air conditioner from the window opening. **BE CAREFUL NOT TO DROP IT.** Once removed, set it safely out of the way.
- Remove Curtain Frame and Curtain.
- Unscrew the Side Guides and Upper Guide.
- Place unit and all assembly hardware in air conditioner shipping carton, and store in a clean, dry place.

### **CAUTION**

- Air conditioners covered in this manual pose an excessive weight hazard. Two or more people are needed to move and install the unit. To prevent injury or strain, use proper lifting and carrying techniques when moving unit.
- When handling the air conditioner, be careful to avoid cuts from sharp metal fins on front and rear coils.
- Make sure air conditioner does not fall during removal.



# OPERATION

## HOW AND WHY

Your room air conditioner provides the following functions to make hot weather living more comfortable:

- Cools and circulates room air.
- Lowers humidity by removing excess moisture.
- Filters out summertime dust, dirt, and some airborne impurities.

The air conditioner performs these functions by drawing room air through a filter which traps dust and dirt particles. The air then passes over a cooling coil which refrigerates the air and removes excess moisture. The same air is then returned to the room—cooler, drier, and cleaner. Moisture removed from the room air is carried to the outside and evaporated.

Your air conditioner is designed to be easy to operate and to provide plenty of cooling power.

## NORMAL SOUNDS FIG. 10

Aside from the regular fan motor and compressor sounds coming from your air conditioner, you will once in a while hear a pinging sound. This is the result of moisture being picked up from the air in the room and thrown against the air conditioner's fan. This is normal and should not be cause for concern. Also, do not be alarmed if you hear a slight hissing or gurgling sound coming from your air conditioner after it is off. These are normal coolant noises.

## CAPACITY AND RUNNING TIME

Proper unit size is important in deciding the desired comfort for the area you want to cool. An undersized unit will not have the capability to cool, leaving the area uncomfortably warm. The proper size is determined by the number of square feet in the area to be cooled, indoor and outdoor temperature and humidity.

Whenever the heat or humidity load is above normal the air conditioner must run longer and more often to keep the desired temperature you have selected. Under heavy heat load conditions the air conditioner may need to run constantly to keep the temperature you want.

At times using the MED FAN setting to circulate the room air may make it comfortable even though the air is not being cooled. This will decrease your cost of use.

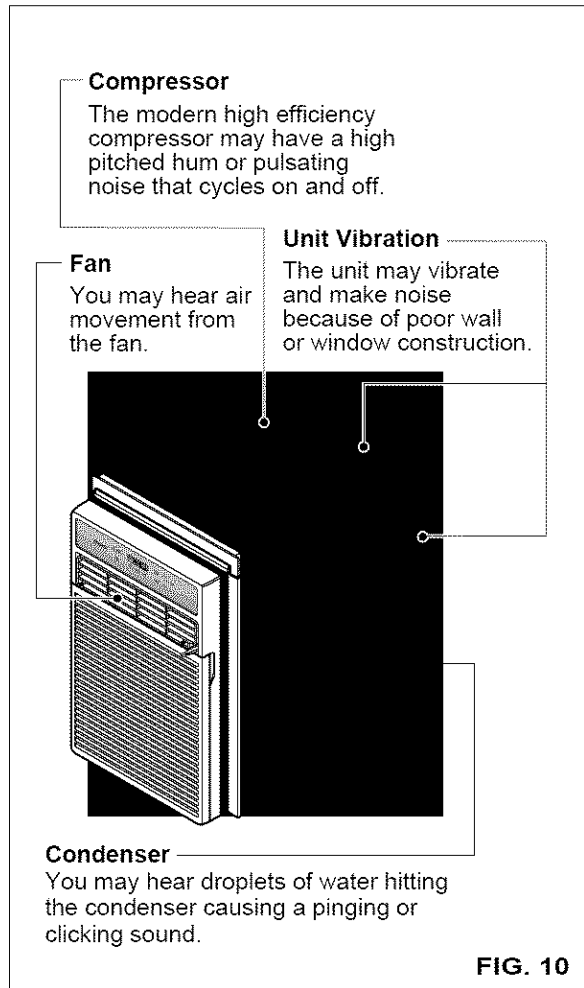


FIG. 10

# OPERATION

## FEATURES

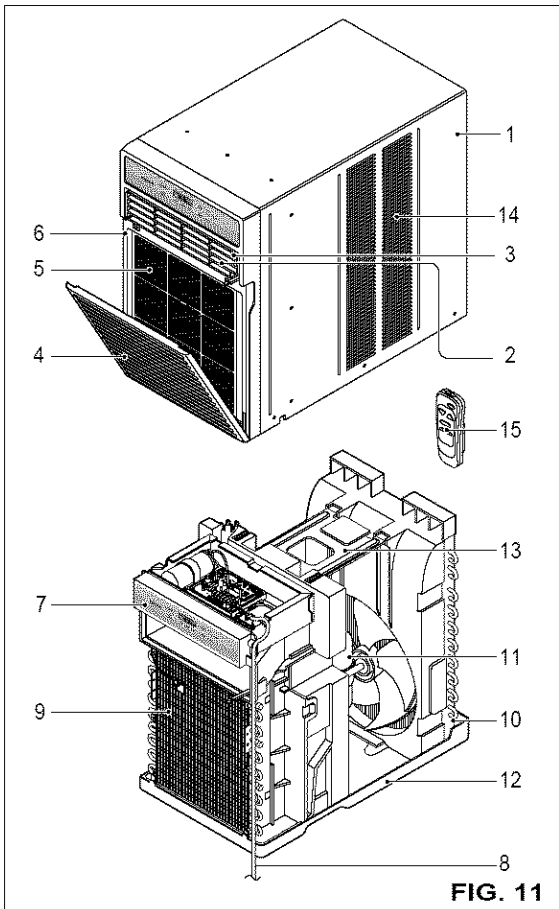


FIG. 11

- |   |                    |
|---|--------------------|
| 1. Cabinet                                    | 9. Evaporator Coil |
| 2. Air Discharge                              | 10. Condenser      |
| 3. Vertical Air Deflector (Horizontal Louver) | 11. Compressor     |
| 4. Air Intake (Inlet Grille)                  | 12. Base pan       |
| 5. Air Filter                                 | 13. Brace          |
| 6. Front Grille                               | 14. Side Louver    |
| 7. Control Panel                              |                    |
| 8. Power Cord                                 |                    |

## USING THE AIR CONDITIONER

**WARNING** To reduce the risk of fire, electric shock, or injury to persons, read the important SAFETY instructions section before operating this appliance.

To begin operating the air conditioner after installation, follow these steps:

1. Plug in the air conditioner. (To prevent electrical hazards, do not use an extension cord or an adapter plug.)
2. Set the exhaust vent to the CLOSE position.
3. Set the TEMP Control to the coolest setting.
4. Set the MODE control at the highest COOL level.
5. Adjust the louvers for comfortable air flow.
6. Once the room has cooled, adjust the TEMP and Mode Control to the setting you find most comfortable.

**NOTE :** If the air conditioner is turned off, wait 3 minutes before restarting. This allows pressure inside the compressor to equalize. Failure to wait 3 minutes before restarting may cause inefficient operation.

If you move the TEMP Control to a warmer, then immediately back to a cooler setting, the unit will shut off. Wait 3 minutes before restarting.

## VENT CONTROL

The Vent Control allows the air conditioner to either recirculate inside air (CLOSE) or exhaust air to the outside (OPEN). (FIG. 12)

- The CLOSE position is used when maximum cooling is desired. It may also be used for air recirculation without cooling when the air conditioner is set in the FAN position.
- The OPEN position removes stale air from the room and exhausts it to the outside. Fresh air is drawn into the room through your home's normal air passages.
- The OPEN or CLOSE position can be used with any fan selection.

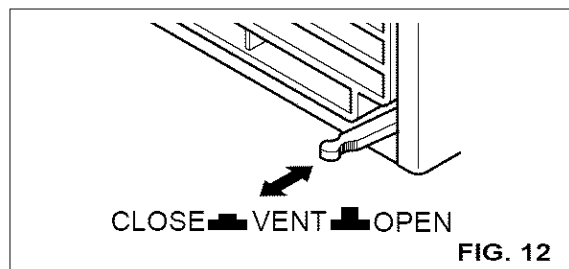


FIG. 12

# OPERATION

## DISPLAY

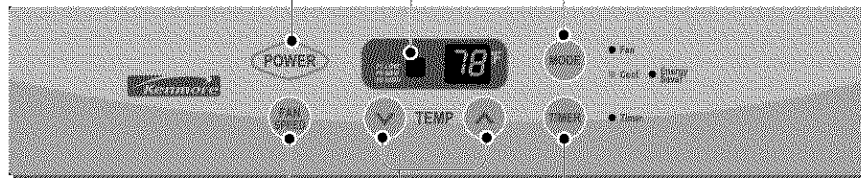
### POWER

- To turn the air conditioner ON, push this button. To turn the air conditioner OFF, push the button again.
- This button takes priority over any other buttons.
- When you first turn it on, the unit is in cool mode, High fan speed, Temperature setting at 72°F.

### REMOTE CONTROL SIGNAL RECEIVER

### MODE

- Every time you push this button, it will shift among COOL, ENERGY SAVER and FAN.
- ENERGY SAVER
  - The fan stops when the compressor stops cooling. Approximately every 3 minutes the fan will turn on and the unit will check the room air to determine if cooling is needed.



### FAN SPEED

- Every time you push this button, it advances the setting as follows : {HIGH(F3) → LOW(F1) → MED(F2) → HIGH(F3)}

### TEMPERATURE SETTING

- Use this button to automatically control the temperature of the room. The temperature can be set within a range of 60°F to 86°F by increments of 1°F.

### AUTO RESTART

*When power is restored after an electrical power failure, the unit will begin to run at its last setting.*

### TIMER

#### - SHUT-OFF TIME

- You will usually use shut-off time while you sleep.
- With unit running, use Timer to set number of hours until shut-off.
- For your sleeping comfort, once Time is set, the Temperature setting will raise 2°F after 30 min., and 2°F after another 30 min.
- Every time you push Timer button, it advances the Timer setting as follows: 1 Hour → 2 Hours → etc. → 12 Hours maximum.

#### - START TIME

- With unit not running, use Timer to set number of hours before unit starts.
- Every time you push Timer button, it advances the Timer setting as follows: 1 Hour → 2 Hours → etc. → 12 Hours maximum.

## AIR DIRECTION ADJUSTMENT

### HORIZONTAL AIR DIRECTION CONTROL

The horizontal air direction is adjusted by moving the vertical louvers right and left with your fingertips. (FIG. 13)

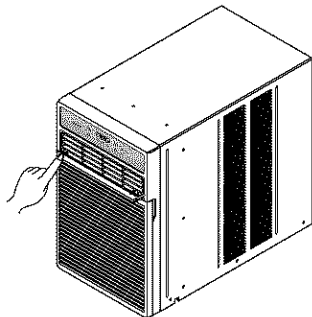


FIG. 13

### VERTICAL AIR DIRECTION CONTROL

The vertical air direction is adjusted by moving the horizontal louvers up and down with your fingertips. (FIG. 14)

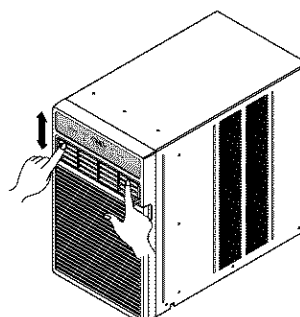


FIG. 14

# OPERATION

## REMOTE CONTROL

**Note:** The Remote Control will not operate properly if strong light shines on the sensor window of the Air Conditioner or if there are obstacles between the Remote Control and the Air Conditioner.

Every time you push button, you will hear beep sound from the Air Conditioner.

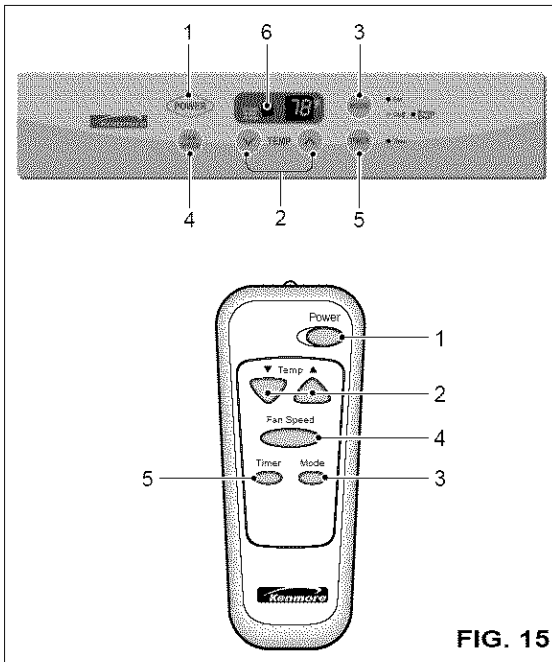


FIG. 15

## REMOTE CONTROL OPERATIONS

### 1. POWER

- To turn the air conditioner ON, push this button. To turn the air conditioner OFF, push the button again.
- This button takes priority over any other button.
- When you first turn it on, the unit is in cool mode, High fan speed, Temperature setting at 72°F.

### 2. TEMPERATURE SETTING

- Use this button to automatically control the temperature of the room. The temperature can be set within a range of 60°F to 86°F by increments of 1°F.

### 3. MODE

- Every time you push this button, it will shift among COOL, ENERGY SAVER and FAN.
- ENERGY SAVER
- The fan stops when the compressor stops cooling. Approximately every 3 minutes the fan will turn on and the unit will check the room air to determine if cooling is needed.

### 4. FAN SPEED

- Every time you push this button, it advances the setting as follows: {High(F3) → Low(F1) → Med(F2) → High(F3)}

### 5. TIMER

#### - SHUT-OFF TIME

- You will usually use shut-off time while you sleep.
- With unit running, use Timer to set number of hours until shut-off.
- For your sleeping comfort, once Time is set, the Temperature setting will raise 2°F after 30 min, and 2°F after another 30 min.
- Every time you push Timer button, it advances the Timer setting as follows: 1 Hour → 2 Hours → etc. → 12 Hours maximum.

#### - START TIME

- With unit not running, use timer to set number of hours before unit starts.
- Every time you push Timer button, it advances the Timer setting as follows: 1 Hour → 2 Hours → etc. → 12 Hours maximum.

## HOW TO INSERT BATTERIES INTO REMOTE CONTROL

1. Remove the cover from the back of the remote controller.
2. Insert two batteries.
  - Be sure that the (+) and (-) directions are correct.
  - Be sure that both batteries are new.
3. Re-attach the cover.

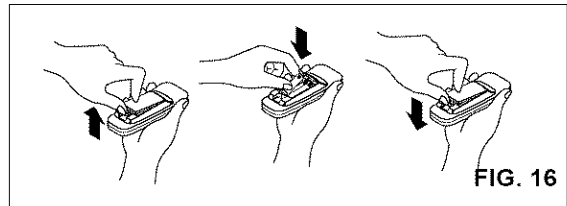


FIG. 16

- Do not use rechargeable batteries. Such batteries differ from standard dry cells in shape, dimensions, and performance.
- Remove the batteries from the remote controller if the air conditioner is not going to be used for an extended length of time.
- In order to prevent discharge, remove the batteries from the remote control if the air conditioner is not going to be used for an extended period of time. Keep the remote control away from extremely hot or humid places. To maintain optimal operation of the remote control, the remote sensor should not be exposed to direct sunlight.
- The remote control can be mounted on a wall using the mountable holder.

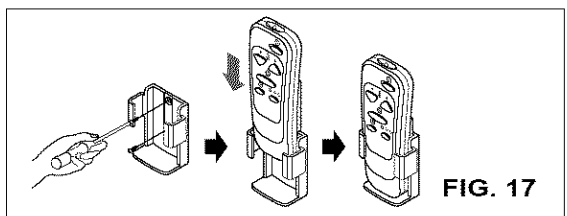


FIG. 17

# MAINTENANCE

## AIR FILTER CLEANING

The Air Filter will become dirty as it removes dust from the inside air. It should be washed at least every 2 weeks. If the Air Filter remains full of dust, the air flow will decrease and the cooling capacity will be reduced, possibly damaging the unit.

- Pull the inlet grille forward, grasping both tabs, then pull out the air filter. (FIG. 18)
- Wash the Air Filter under the faucet with warm water. Be sure to shake off all the water before replacing the filter. (FIG. 19)

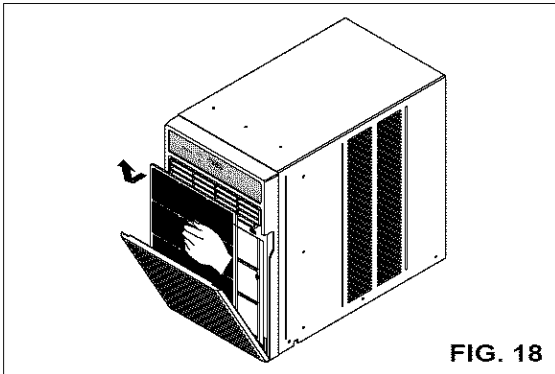


FIG. 18

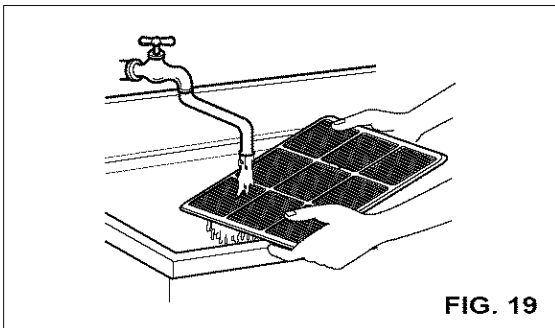


FIG. 19

## AIR CONDITIONER CLEANING

Clean the front grille and inlet grille by wiping with a cloth dampened in a mild detergent solution. (FIG. 20)

The cabinet may be washed with mild soap or detergent and lukewarm water, then polished with liquid appliance wax.

To ensure continued peak efficiency, the condenser coils (outside of the unit) should be checked periodically and cleaned if they become clogged with soot or dirt from the atmosphere. Brush or vacuum exterior coils to remove debris from fins.

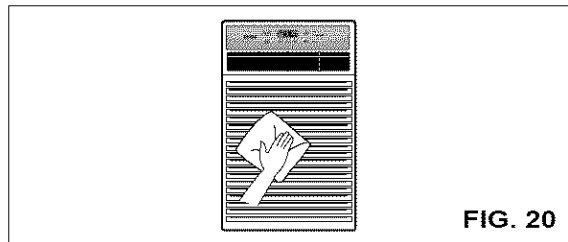


FIG. 20

## HOW TO REMOVE THE FRONT GRILLE

- Open the inlet grille downward.
- Remove the screw securing the Front Grille.
- Push the grille up from the bottom and pull the top of the grille away from the case to lift the top tabs out of their slots.

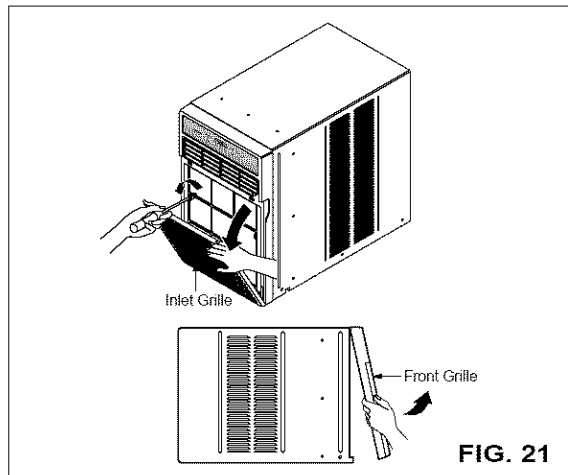


FIG. 21

## HOW TO REPLACE THE FRONT GRILLE

Attach the front grille to the cabinet by inserting the tabs on the grille into the slots on the front of the cabinet. Push the grille in until it snaps into place.

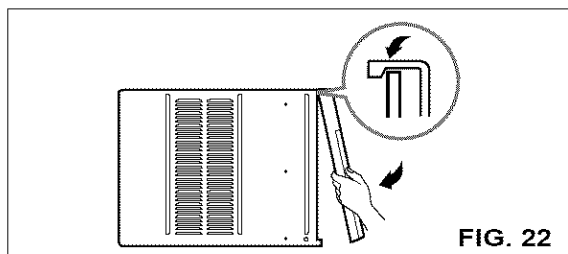


FIG. 22

# TROUBLESHOOTING

## BEFORE CALLING FOR SERVICE

Check the following list to be sure a service call is really necessary. A quick reference to this manual may help you avoid an unneeded service call.

### THE AIR CONDITIONER WILL NOT OPERATE

| Check if...                                    | Then...  |
|--|--|
| The Current interrupter device is tripped.     | Press the RESET button located on the power cord plug<br>If the RESET button will not stay engaged, discontinue use of the air conditioner and contact a qualified service technician. |
| Wall plug disconnected.                        | Push plug firmly into wall outlet.   |
| House fuse blown or circuit breaker tripped.   | Replace fuse with time delay type or reset circuit breaker.  |
| Power is OFF.                                  | Push the power button.   |
| Unit was turned off and then on too quickly.   | Set unit off and wait 3 minutes before restarting.   |
| TEMP Control set warmer than room temperature. | Set TEMP Control to a lower number.  |

### AIR FROM UNIT DOES NOT FEEL COLD ENOUGH.

| Check if...   | Then...   |
|---|---|
| FAN SPEED set at LOW.   | Push FAN SPEED button to set at HI.                                   |
| TEMP Control set too warm.  | Set TEMP Control to a lower temperature.                              |
| Room temperature below 70°F (21°C).   | Cooling may not occur until room temperature rises above 70°F (21°C). |
| Temperature sensing tube touching evaporator coil, located behind front grille. | Straighten tube away from evaporator coil.                            |

### THE AIR CONDITIONER COOLING, BUT ROOM IS TOO WARM – ICE FORMING ON COOLING COIL BEHIND INLET GRILLE.

| Check if...                            | Then...   |
|--|---|
| Outdoor temperature below 70°F (21°C). | To defrost the coil, set the MODE to FAN, FAN speed to High.  |
| Air filter may be dirty.               | Clean air filter. Refer to Maintenance section of owner's manual.   |
| TEMP Control set too low.              | To defrost the coil, set the MODE to Cool, Fan speed to high, and the Temp control to a higher temperature. |

### THE AIR CONDITIONER COOLING, BUT ROOM IS TOO WARM

| Check if...   | Then...  |
|---|--|
| Dirty air filter – air restricted.  | Clean air filter. Refer to Maintenance section of owner's manual.                      |
| TEMP Control set too warm.  | Set TEMP Control to a lower temperature.   |
| Front of unit is blocked by drapes, blinds, furniture, etc. Air distribution is restricted. | Clear blockage in front of unit.   |
| Doors, windows, registers, etc. open. Cold air escapes.                                     | Close doors, windows, registers, etc.  |
| Unit recently turned on in hot room.  | Allow additional time to remove stored heat from walls, ceiling, floor, and furniture. |

### THE AIR CONDITIONER TURNS ON AND OFF RAPIDLY.

| Check if...                           | Then...  |
|---------------------------------------|--|
| Outside temperature is extremely hot. | Set FAN SPEED on HI to minimize the cooling load.  |
| Unit is set to energy saver mode      | Approximately every 3 minutes the fan will turn on and the unit will check the room air temperature to determine if cooling is needed. This is normal energy saver mode operation. |

### NOISE WHEN UNIT IS COOLING.

| Check if...  | Then...  |
|--|--|
| Sound of fan hitting water – from the moisture removal system. | This is normal when humidity is high. Close doors, windows, and registers. |
| Window vibration – poor installation.                          | Refer to installation instructions or check with installer.                |

### WATER DRIPPING INSIDE ROOM WHEN UNIT IS COOLING.

| Check if...                                  | Then...   |
|--|---|
| The air conditioner is improperly installed. | Tilt air conditioner slightly to the outside to allow water drainage. Refer to installation instructions or check with installer. |

### WATER DRIPPING OUTSIDE WHEN UNIT IS COOLING.

| Check if...  | Then...                                       |
|--|---|
| The unit is removing large quantities of moisture from humid room. | This is normal during excessively humid days. |

# MEMO

ENGLISH

# INDICE DE MATERIAS

|  |    |   |                  |
|--|----|---|------------------|
| <b>INDICE DE MATERIAS</b> .....              | 16 | <b>OPERACIÓN</b> .....                          | 23               |
| <b>GARANTÍA</b> .....                        | 16 | Cómo y por qué.....                             | 23               |
| <b>SEGURIDAD</b> .....                       | 17 | Sonidos normales.....                           | 23               |
| Importantes instrucciones de seguridad ..... | 17 | Capacidad y tiempo de funcionamiento .....      | 23               |
| <b>REQUERIMIENTOS ELÉCTRICOS</b> .....       | 18 | Características .....                           | 24               |
| <b>INSTALACIÓN DEL CABLE ELÉCTRICA</b> ..... | 18 | Uso del equipo de aire acondicionado .....      | 24               |
| <b>INSTALACIÓN</b> .....                     | 19 | Características del equipo de aire              |                  |
| Requisitos de ventana .....                  | 19 | acondicionado .....                             | 25               |
| Instalación .....                            | 20 | <b>MANTENIMIENTO</b> .....                      | 26               |
| Montaje en una ventana de corredera          |    | Limpieza del filtro del aire.....               | 26               |
| horizontal.....                              | 20 | Limpieza del equipo de aire acondicionado ..... | 26               |
| Instalación de ventana con marco.....        | 22 | Cómo sacar la rejilla frontal.....              | 26               |
| La eliminación de la ventana.....            | 22 | Cómo a reemplaza el grille anterior .....       | 26               |
|  |    | <b>CORRECCIÓN DE FALLAS</b> .....               | 27               |
|  |    | Antes de Llamar para servicio .....             | 27               |
|  |    | <b>PARA PEDIR SERVICIO</b> .....                | Cubierta Trasera |

## GARANTÍA

### GARANTÍA DE UN AÑO POR EL EQUIPO DE AIRE ACONDICIONADO DE HABITACIÓN

Durante un año completo a partir de la fecha de compra, si este equipo de aire acondicionado recibe mantenimiento y se utiliza para el enfriamiento normal de habitación según las instrucciones indicadas en este manual del propietario, Sears reparará gratuitamente este equipo de aire acondicionado, si tiene algún defecto en materiales o fabricación.

### GARANTÍA TOTAL DE CINCO AÑOS POR EL SISTEMA DE REFRIGERACIÓN HERMÉTICAMENTE SELLADO

Durante cinco años a partir de la fecha de compra, si este equipo de aire acondicionado recibe mantenimiento y se utiliza para el enfriamiento normal de habitación según las instrucciones indicadas en este manual del propietario, Sears reparará gratuitamente el sistema de refrigeración herméticamente sellado (que consiste en el agente refrigerante, los tubos de conexión y el compresor), si tiene algún defecto en materiales o fabricación.

### EL SERVICIO DE GARANTÍA ESTÁ A SU DISPOSICIÓN CON SÓLO PONERSE EN CONTACTO EL CENTRO DE SEARS AL 1-800-4-MY-HOME®

La protección de garantía cubre únicamente a los equipos de aire acondicionado usados para uso doméstico y no para uso comercial.

Esta garantía sólo tiene validez mientras el producto se esté usando en los Estados Unidos.

Esta garantía le da derechos legales específicos y usted puede tener otros derechos que varían de estado en estado.

**Distributed by Sears, Roebuck and Co., Hoffman Estates, IL 60179**



# SEGURIDAD

## IMPORTANTES INSTRUCCIONES DE SEGURIDAD

Las siguientes instrucciones de seguridad le indicarán cómo usar su equipo de aire acondicionado de habitación para evitar daños para usted mismo y para su EQUIPO DE AIRE ACONDICIONADO.

### **⚠ ADVERTENCIA** POR SU SEGURIDAD

No almacene ni use gasolina u otros vapores y líquidos inflamables cerca de éste o cualquier otro electrodoméstico. Lea las etiquetas de los productos para ver si contienen advertencias sobre el carácter inflamable de los mismos y otras advertencias.

### **⚠ ADVERTENCIA** PARA PREVENIR ACCIDENTES

Para reducir el riesgo de incendios, descargas eléctricas o lesiones personales al usar su equipo de aire acondicionado, tome las precauciones básicas, entre las que están las siguientes:

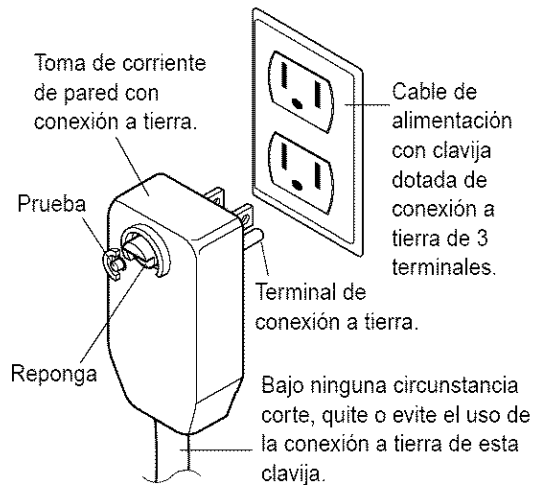
- Asegúrese de que la alimentación eléctrica sea la apropiada para el modelo que usted ha elegido.
- Si el equipo de aire acondicionado debe instalarse en una ventana, a usted probablemente le conviene limpiar primero ambos lados del vidrio. Si la ventana es del tipo de tres paneles con un panel incluido de pantalla, le conviene sacar la ventana completamente antes de la instalación.
- Asegúrese de que el equipo de aire acondicionado ha sido instalado correctamente y con seguridad según se señala en las instrucciones separadas de instalación que vienen en este manual. Conserve este manual y las instrucciones de instalación para usarlos posiblemente en el futuro al sacar o volver a instalar esta unidad.
- Use guantes al manejar el equipo de aire acondicionado, tenga cuidado para evitar cortadas con las afiladas aletas metálicas que se hallan en los serpentines frontales y posteriores.

### **⚠ ADVERTENCIA** INFORMACIÓN ELÉCTRICA

En la placa de serie del fabricante se indica cuál es la capacidad eléctrica nominal completa de su nuevo equipo de aire acondicionado para habitación. Consulte esta placa cuando vaya a verificar los requerimientos eléctricos.

- Asegúrese de que el equipo de aire acondicionado tenga una conexión correcta a tierra. Para reducir al mínimo los riesgos de descargas eléctricas e incendio, es importante conectar el equipo correctamente a tierra. El cordón de alimentación eléctrica está equipado con un enchufe de tres espigas con conexión a tierra para protegerle contra riesgos de descargas eléctricas.
- Su equipo de aire acondicionado debe enchufarse en una toma de corriente de pared que tenga una conexión correcta a tierra. Si la toma de corriente de pared que usted piensa usar no está conectada correctamente a tierra o no está protegida con un fusible de acción retardada o con un interruptor de circuito, haga que un electricista calificado le instale la toma de corriente de pared en forma correcta.
- No ponga a funcionar el equipo de aire acondicionado con una cubierta protectora exterior encima. Esto podría ocasionar daños mecánicos dentro del aire acondicionado.
- **No use un cable de extensión ni un enchufe adaptador.**

**⚠ ADVERTENCIA** Evite los peligros de incendios y descargas eléctricas. No use un cable de extensión ni un enchufe adaptador. No elimine ninguna de las espigas del enchufe del cordón de alimentación eléctrica.



## IDEAS PARA AHORRAR ENERGÍA

- La capacidad del equipo de aire acondicionado debe corresponder al tamaño de la habitación para el funcionamiento eficiente y satisfactorio del equipo.
- Instale el equipo de aire acondicionado de habitación en el lado sombreado de su hogar. Una ventana orientada hacia el norte es la mejor porque tiene sombra la mayor parte del día.
- No bloquee el flujo de aire hacia el interior con persianas, cortinas o muebles; o la parte de afuera con arbustos, paredes u otras construcciones.
- Cierre el regulador de tiro de la chimenea, las rejillas de calefacción del piso y la pared, de tal modo que el aire frío no se escape ni por la chimenea ni por los conductos.
- Mantenga las persianas y las cortinas de otras ventanas cerradas durante la parte más soleada del día.
- Limpie el filtro del aire como se recomienda en la sección "MANTENIMIENTO" de este manual.
- El aislamiento correcto y las juntas herméticas en puertas y ventanas en su hogar le ayudarán a mantener el aire caliente afuera y el aire frío adentro.
- Al darle sombra externamente a la casa con árboles, plantas o toldos ayudará a reducir la carga de trabajo del equipo de aire acondicionado.
- Opere los aparatos que producen calor como, por ejemplo, hornos, lavadoras, secadoras y lavaplatos durante la parte más fría del día.

# REQUERIMIENTOS ELÉCTRICOS

RESPETE TODOS LOS CÓDIGOS Y REGLAMENTOS.

BAJO NINGUNA CIRCUNSTANCIA CORTE, quite o EVITE EL USO DE LA CONEXIÓN A TIERRA DE ESTA CLAVIJA.

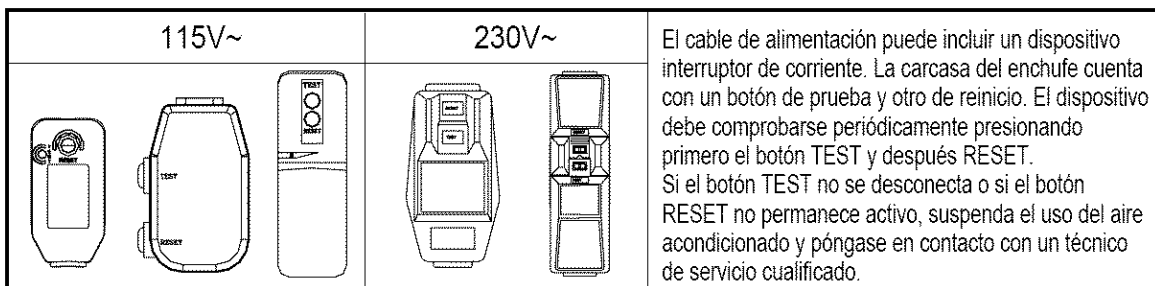
**ESTE APARATO NECESITA SER CONECTADO A TIERRA.**

Se requiere una alimentación eléctrica CA, adecuadamente conectada a tierra con un fusible de 15 A, de 60 Hz y de 230/208 V. Se recomienda un fusible de retardo o un disyuntor de circuito que alimente solamente a este aparato.

**NO USE CABLE ELÉCTRICO DE EXTENSIÓN.**

**MÉTODO RECOMENDADO DE CONEXIÓN A TIERRA**

Por su propia seguridad este aparato debe conectarse a tierra. Este aparato viene equipado con un cable de alimentación y una clavija de tres terminales. Para reducir al máximo el peligro de choque eléctrico, el cable debe estar conectado a una conexión de pared con conexión a tierra, y esta conexión debe hacerse de acuerdo con la última edición del Código Eléctrico Nacional (ANSI/NFPA 70), así como con los códigos y reglamentos locales. Si no existe una conexión de pared adecuada, el cliente tiene la responsabilidad y la obligación de mandar instalar, con un electricista calificado, una conexión de pared adecuada de tres terminales con conexión a tierra.



**NOTA:** La forma puede ser diferente según su modelo.

| Utilice el enchufe de la pared                     | Consumo de Energía                                      |
|--|---|
| Standard 125V, enchufe de 3 Líneas de 15A, 125V AC | Utilice un fusible de 15AMP. o un interruptor de 15AMP. |
| Standard 250V, enchufe de 3 Líneas de 15A, 250V AC |   |
| Standard 250V, enchufe de 3 Líneas de 20A, 250V AC | Utilice un fusible de 20AMP. o un interruptor de 20AMP. |

**⚠ ADVERTENCIA**

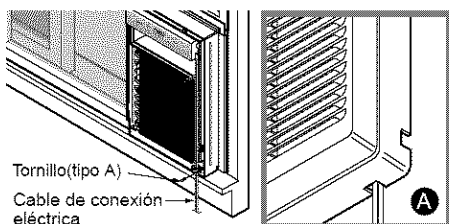
Peligro de choque eléctrico  
 Conecte en una conexión de pared de 3 terminales  
 No quite la terminal de conexión a tierra  
 No use adaptadores  
 No use cable eléctrico de extensión  
 Si no se siguen estas instrucciones, puede ocasionarse la muerte, un incendio o un choque eléctrico.

# INSTALACIÓN DEL CABLE ELÉCTRICA

Puede escoger entre los dos métodos abajo descritos de acuerdo a la forma del taburete de su ventana y su preferencia.

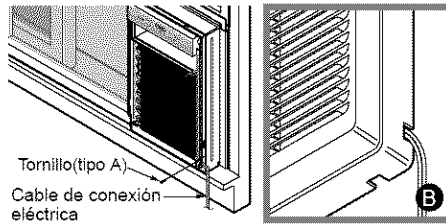
**UTILIZANDO LA RANURA "A"**

Aprete el obturador usando hoyo de tornillo, y saque el cable eléctrico a través de la ranura "A".



**UTILIZANDO LA RANURA "B"**

Aprete el obturador usando el hoyo izquierdo de tornillo, y gire apropiadamente para sacar el cable eléctrico a través de la ranura "B".



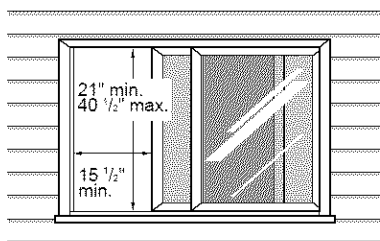
# INSTALACIÓN

## REQUISITOS DE VENTANA

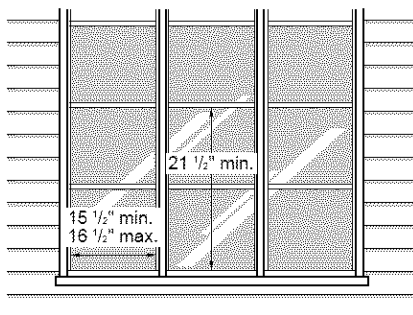
Estas instrucciones son para una ventana de corredera horizontal o un marco de ventana.

La salida eléctrica debe quedar al alcance del cable de conexión.

Para la instalación en una ventana con marco, la estructura de la ventana y el lateral del edificio deben ser los adecuados para soportar el peso del aparato de aire acondicionado.



Ventana de corredera horizontal



Ventana con marco

## SERVICIO ELECTRICO

Compruebe cuál es la alimentación eléctrica que llega a su domicilio. La alimentación eléctrica disponible debe ser la misma que se muestra en la placa del fabricante de la unidad (que se halla en el lado derecho del gabinete de corriente alterna).

Todos los modelos están equipados con un enchufe de tres espigas para suministrar un servicio correcto y una conexión a tierra segura y positiva. No cambie el enchufe de ninguna forma. No use un enchufe adaptador. Si su toma de corriente de pared actual no puede usarse con el enchufe del equipo, llame a un electricista calificado para que efectúe las correcciones necesarias.

CONSERVE LA CAJA y este MANUAL DEL PROPIETARIO para que le sirva como referencia en el futuro. La caja es la mejor manera de conservar la unidad durante el invierno o cuando no está en uso.



## CUIDADO

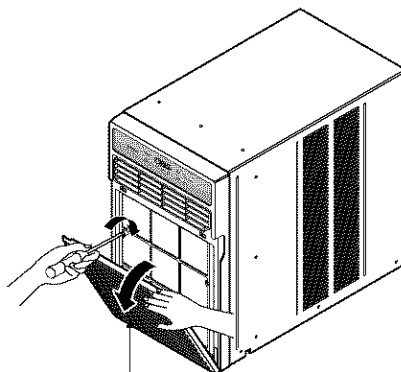
Para evitar el riesgo de lesiones personales, danos a su propiedad, o danos al producto debido al peso de este equipo y los filos a que serán expuestos:

- El aire acondicionado del que se habla en este manual afirma peligro de peso excesivo. Dos o más personas se requiere para mover e instalar la unidad. Para evitar heridas o agotamiento, use técnicas apropiadas para levantar y mover la unidad.
- Cuidadosamente inspeccione el lugar donde el aire acondicionado será puesto. Asegurese que el lugar sostenga el peso de la unidad sobre un periodo de tiempo prolongado.
- Mantenga su aire acondicionado con cuidado. Use guantes protectores cuando levante o mueva la unidad. EVITE las aletas filosas de metal en el serpentín delantero y de atrás.
- Asegurese que el aire acondicionado no se caiga durante la instalación.

## NOTE!

Antes de usar el acondicionador de aire asegure la parrilla delantera con dos tornillos incluidos con el manual de owner's.

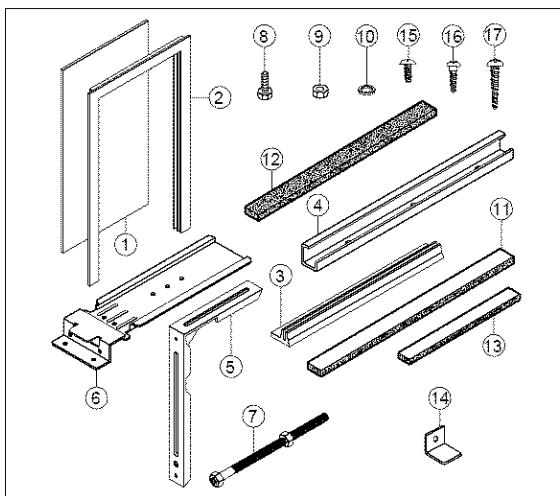
1. Abra la parrilla de la entrada hacia abajo y quite el filtro de aire.
2. Sujete la parrilla delantera con los tornillos.
3. Reinstale el filtro de aire.
4. Cierre la parrilla de la entrada.



Bandejate Entrada

# INSTALACIÓN

## INSTALACIÓN PIEZAS DE MONTAJE



| NO. | NOMBRE LA PARTE                 | CANTIDAD |
|-----|---------------------------------|----------|
| 1   | Cortina                         | 1        |
| 2   | Guís superior                   | 1        |
| 3   | Guís lateral                    | 1        |
| 4   | Guide lateral                   | 2        |
| 5   | Soporte de fijación             | 1        |
| 6   | Soporte                         | 1        |
| 7   | Tornillo de nivelación y tuerca | 1        |
| 8   | Tornillo                        | 2        |
| 9   | Tuerca                          | 2        |
| 10  | Arandela                        | 2        |
| 11  | Junta de guís lateral           | 1        |
| 12  | Burlete de espuma               | 1        |
| 13  | Sello del Banda de la ventana   | 1        |
| 14  | Soporte de fijación de ventana  | 1        |
| 15  | Tornillo (tipo A)               | 9        |
| 16  | Tornillo (tipo B)               | 3        |
| 17  | Tornillo (tipo C)               | 8        |

### HERRAMIENTAS REQUERIDAS

- Guantes apretados
- Destornillador normal
- Destornillador Phillips
- Pintas
- Cuchillo filoso
- Llave inglesa o llave abierta de 3/8"
- Llave hexagonal de cubo y trinquete de 1/4 de pulgada
- Cinta para medir
- Taladro electrico
- Broca de taladro de 1/4"

## INSTALACIÓN

Escoja un lugar que le permita llevar el aire frío al área que desea. Las ventanas que se usen para la instalación deben tener la resistencia suficiente para soportar el peso del equipo de aire acondicionado. Una buena instalación con atención especial a la correcta posición de la unidad disminuirá la probabilidad de que sea necesario efectuar reparaciones.

Cuando se desea enfriar más de una habitación, la instalación es muy importante puesto que el aire frío no dobla esquinas. Para enfriar sus habitaciones, el aire frío debe desplazarse desde el equipo de aire acondicionado en una trayectoria recta.

## MONTAJE EN UNA VENTANA DE CORREDERA HORIZONTAL

**1** Colocar sin apretar el soporte a la parte inferior de la fijación usando los tornillos y arandela y tuercas. Colocar el tornillo y la tuerca de nivelación. (Fig. 1)

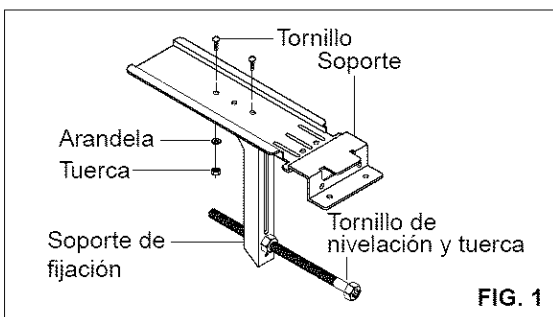


FIG. 1

**2** Quitar la protección del sello de la banda del ventana y aplique el sello a la banda del ventana.

**3** Mida y marca suavemente una línea de 8-1/4 pulgadas desde la jamba de la ventana. Centre el conjunto del soporte en la banda de la ventana y ajústelo 4 tornillos del tipo C (Fig. 2).

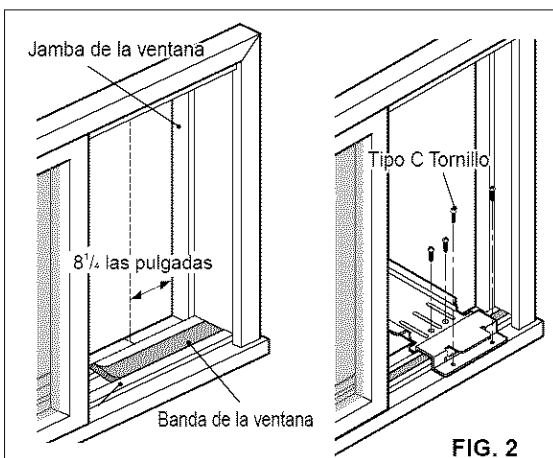
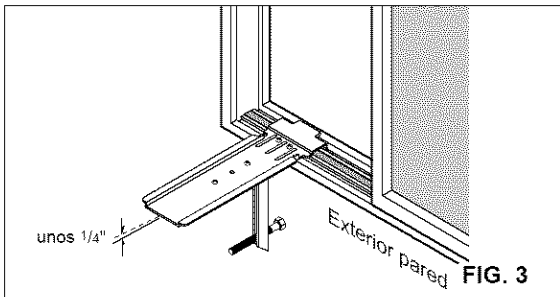


FIG. 2

# INSTALACIÓN

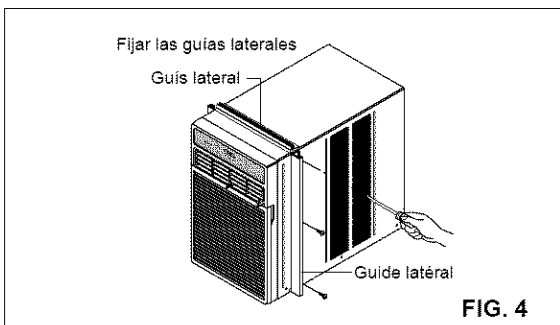
**4** Coloque la sujeción del soporte contra la pared exterior y apriete los tornillos en la parte superior del soporte. Ajuste los tornillos de nivelación de forma que el aire acondicionado quede instalada con una inclinación muy suave (unos 1/4") hacia abajo hacia la salida para que drene correctamente. Apriete la tuerca. (Fig. 3)

**NOTA:** NO taladrar un agujero en la parte inferior de la bandeja de la base. El aire acondicionado ha sido diseñado para funcionar con la bandeja de la base llena con agua aproximadamente hasta la mitad de su capacidad.

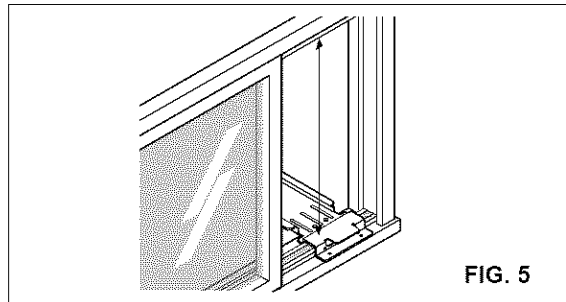


**5** Sujete las guías laterales a los laterales del aire acondicionado con tres tornillos del tipo A para las guías. Comience con el primer tornillo en la parte media de las guías. (Fig. 4)

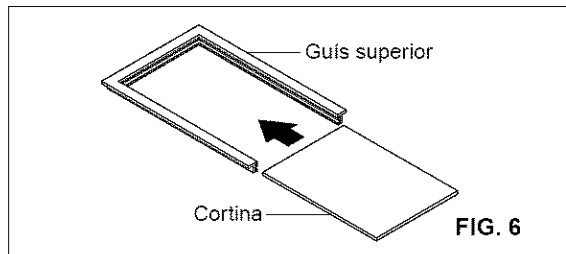
**6** Fijar la guís superior en la parte superior del aparato de aire acondicionado usando 3 tornillos del tipo A.



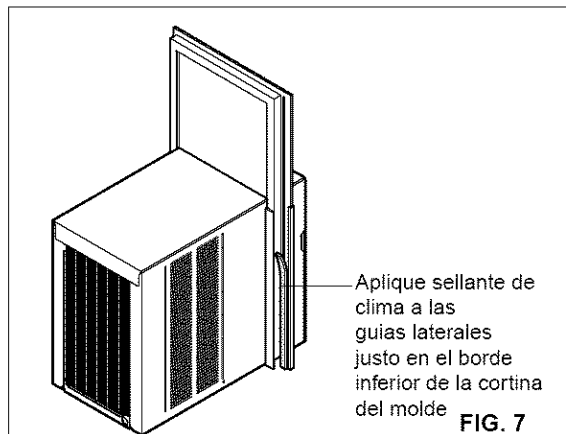
**7** Medir la altura de la abertura de la ventana desde la parte superior del soporte, según se muestra en la Fig. 5. Restar 20-3/4 pulgadas. Marcar esta medida en la cortina y cortar la cortina. (Fig. 5)



**8** Deslizar la cortina en la cortina del marco con el lado más suave hacia la habitación. Deslizar la cortina del marco en las guías laterales del armario del aire acondicionado. Asegurarse de que la cortina queda firmemente sujeta en todos los lados por el marco. (Fig. 6)



**9** Corte dos sellos de guía lateral con la misma longitud. Retire la protección y aplíquelo en el lateral trasero de las guías laterales del compartimento comenzando por debajo del conjunto del marco de la cortina. Corte lo que sobre de forma que el sello quede ajustado al final de la guía lateral. (Fig. 7)



# INSTALACIÓN

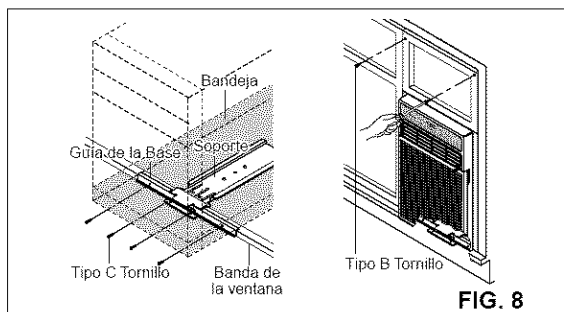
**10** Colocar el aparato de aire acondicionado en la abertura de la ventana. Debería quedar asentado sobre el soporte de modo que la cortina del marco y las guías laterales del armario queden asentadas contra las jambas de la parte superior y laterales de la ventana. Compañero frente del Soporte del corchete con la Guía baja que asoció el fondo baja de la bandeja.

**11** Taladre huecos de 1/8 pulgadas en la pista de la banda de ventana de los huecos existentes en la Guía de la Base. Atornille 4 tornillos de tipo C a través de los huecos.

**12** Si se trata de la instalación de una ventana de bisagras, proceda según la Instalación de ventana de bisagras. Deslice el marco corredizo de ventana interior contra el lateral del compartimento.

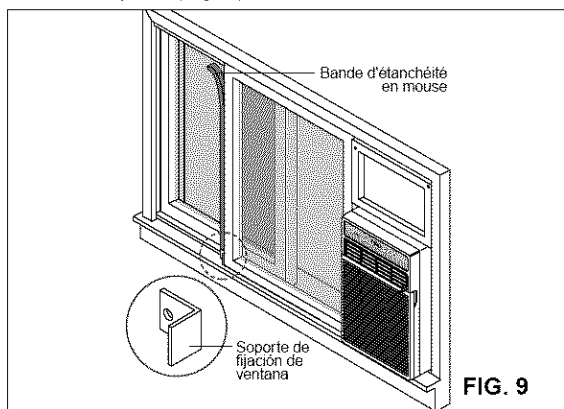
**13** Taladre un agujero de 1/8 pulgadas para alinearlo con los agujeros que hay en el marco de la cortina. Ajuste el marco de la cortina con el marco de la ventana con tornillos del tipo B. (Fig. 8)

**NOTA:** Comprobar todas las juntas y sellar cualquier abertura de aire restante con un sellante aislante adecuado.



**14** Si se trata de la instalación de una ventana de bisagras, proceda según la Instalación de ventana de bisagras. Colocar el burlete de espuma entre la banda vertical y el vidrio de la ventana. (Fig. 9)

**15** Fijar el soporte de bloqueo de la ventana con un tornillo de tipo B. (Fig. 9)



## INSTALACION DE VENTANA CON MARCO

- El proceso de montaje es el mismo proceso descrito en los pasos 1 a 11 y paso 13 de la instalación de ventana corredera horizontal.
- Si el hueco de la ventana tiene una anchura superior a 15-3/4 pulgadas, será necesario colocar un panel de llenado. Fabricar este panel con madera de un grosor de 3/4 de pulgada y con la longitud completa de la ventana. Fijarlo al marco de la ventana para protegerlo contra la intemperie.
- A raíz de que los estilos y los tamaños de la ventana del compartimento varía ampliamente, es aconsejable tener el aire acondicionado instalado por un técnico en este tipo de instalaciones.

## LA ELIMINACION DE LA VENTANA

- Apague y desenchufe el aire acondicionado.
  - Si ventana corredera horizontal, retire la ménsula de Bloqueo de ventana del marco de la ventana y la franja de sellante de espuma entre las ventanas. (En caso de ventana corredera horizontal)
  - Retire la ménsula de seguridad que instaló en el paso 12.
  - Desatornille la cortina de marco de la ventana.
  - Retire el aire acondicionado de la abertura de la ventana.
- TENGA CUIDADO DE NO DEJARLO CAER.** Una vez retirada, colóquelo de forma segura fuera de la vía.
- Retire la cortina de marco y la cortina.
  - Desatornille las guías laterales y la guía superior.
  - Coloque la unidad y todo el equipo de ensamble en la caja de embarque del aire acondicionado y guarde en un lugar limpio y seco.
  - Persiana Lateral.



### CUIDADO

- El aire acondicionado del que se habla en este manual afirma peligro de peso excesivo. Dos o mas personas se requiere para mover e instalar la unidad. Para evitar heridas o agotamiento, use tecnicas apropiadas para levantar y mover la unidad.
- Al manejar la unidad, tenga cuidado para evitar cortarse con las alertas metálicas afiladas que están en los serpentines frontal y posterior.
- Asegurese que el aire acondicionado no se caiga durante la instalacion.

# OPERACIÓN

## CÓMO Y POR QUÉ

Su equipo de aire acondicionado de habitación brinda las siguientes funciones para hacer que la vida en climas cálidos sea más confortable:

- Enfría y hace circular el aire por la habitación
- Disminuye la humedad eliminando la humedad excesiva.
- Filtra el polvo, el sucio y algunas impurezas transportadas en el aire del clima veraniego.

El equipo de aire acondicionado realiza estas funciones haciendo pasar el aire del medio ambiente a través de un filtro que atrapa las partículas de polvo y sucio. El aire pasa entonces por un serpentín de enfriamiento que refrigera el aire y elimina el exceso de humedad. El mismo aire regresa entonces al enfriador, secador y limpiador del aire del ambiente. La humedad extraída del aire ambiente es llevada al exterior y evaporada.

Su aire acondicionado está diseñado para operar y suministrar una enorme potencia de enfriamiento.

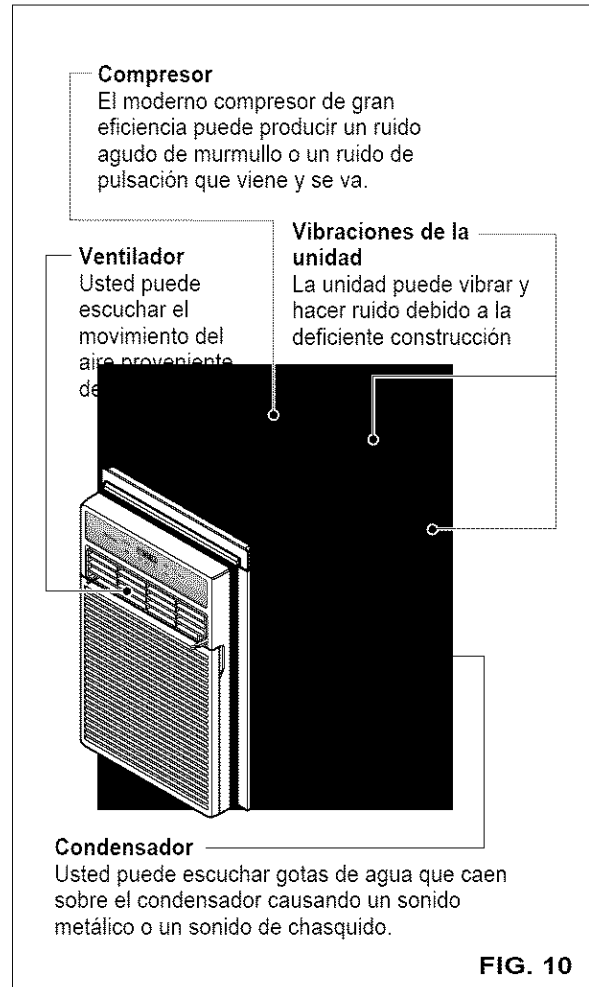
## SONIDOS NORMALES Figura 10

Además de los sonidos regulares del motor del ventilador y el compresor que salen de su equipo de aire acondicionado, usted escuchará de vez en cuando un sonido metálico. Este sonido es producido por la humedad que es recogida del aire en el ambiente y es lanzada contra el ventilador del equipo de aire acondicionado. Esto es algo normal que no debe ser motivo de preocupación. De igual modo, no se alarme si usted escucha un ligero sonido de silbido o borboteo proveniente de su equipo de aire acondicionado después que lo apaga. Estos son ruidos normales del refrigerante.

## CAPACIDAD Y TIEMPO DE FUNCIONAMIENTO

Al decidir cuál debe ser la comodidad deseada para el área que usted quiere enfriar, es importante determinar el tamaño correcto de la unidad. Una unidad pequeña no tendrá la capacidad para enfriar, dejando la area calurosa. El tamaño adecuado es determinado por el número de metros cuadrados que tiene el área que se desea enfriar, así como por la temperatura interior y exterior y por la humedad. Una unidad demasiado grande si enfría, pero no deshumedece, dejando la area fría y húmeda. Siempre que la carga térmica del ventilador esté por encima de lo normal, el equipo de aire acondicionado debe funcionar más tiempo para mantener la temperatura deseada que usted ha seleccionado. Bajo condiciones de una carga térmica muy pesada, puede ser necesario que el equipo de aire acondicionado funcione constantemente para mantener la temperatura deseada.

En ocasiones, el uso de MED FAN para hacer circular el aire por la habitación hace que el ambiente sea más confortable aun cuando el equipo no esté enfriando el aire. Mientras más tiempo y con mayor frecuencia funcione el equipo de aire acondicionado, más electricidad consumirá y mayores serán los costos de su uso.



# OPERACIÓN

## CARACTERÍSTICAS

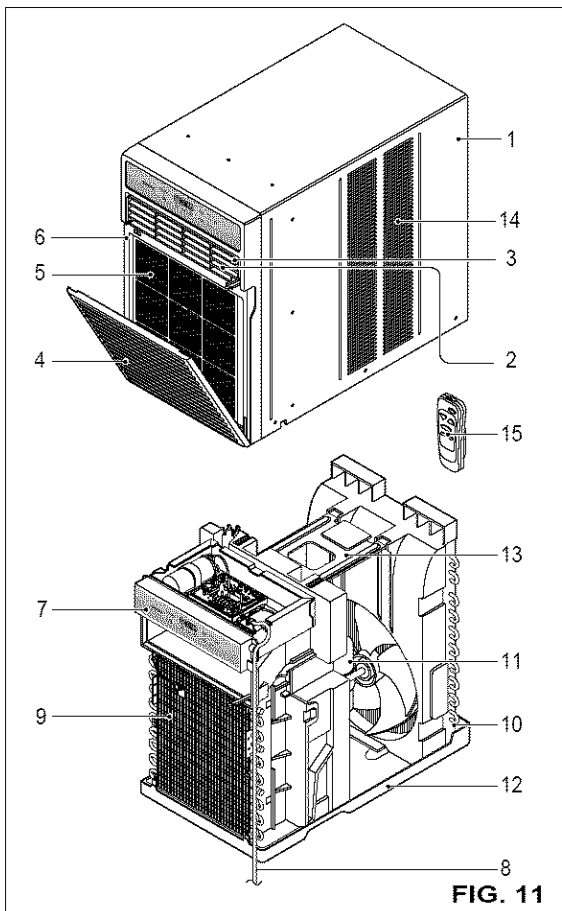


FIG. 11

- |   |                      |
|---|----------------------|
| 1. Gabinete   | 9. Evaporador        |
| 2. Salida Deaire  | 10. Condensador      |
| 3. Deflector De Aire Horizontal (Vent Anillas Horizontales) | 11. Compresor        |
| 4. Recolector De Aire (Bandejade Entrada)                   | 12. Bandeja          |
| 5. Fitro De Aire  | 13. Suspensores      |
| 6. Grillage Frontal   | 14. Persiana Lateral |
| 7. Panel De Control   |                      |
| 8. Cable De Conexión Eléctrica                              |                      |

## USO DEL EQUIPO DE AIRE ACONDICIONADO

**⚠ ADVERTENCIA** Para reducir el riesgo de incendio, descargas eléctrica o lesiones personales, lea las IMPORTANTES INSTRUCCIONES DE SEGURIDAD antes de operar este aparato.

**Para comenzar a utilizar el equipo de aire acondicionado, siga estos pasos:**

1. Enchufe el equipo de aire acondicionado. (Para prevenir riesgos de descargas eléctricas, no use un cable de extensión ni un enchufe adaptador.)
2. Ajuste el extractor de aire en la posición CLOSE.
3. Ajuste el control de MODE al mas alto nivel fresco.
4. Ajuste el control del ventilador al más alto nivel.
5. Ajuste las rejillas desviadoras para lograr un flujo confortable de aire.
6. Una vez que la habitación se haya enfriado, ajuste el control de temperatura TEMP a la graduación que usted considere más confortable.

**NOTA:** Si se apaga el aire acondicionado, espere 3 minutos antes de volver a encenderlo. Esto permite que se establezca la presión dentro del compresor. Si no sigue estas instrucciones, el equipo podría funcionar con poca eficiencia. Si usted mueve el TEMP el control a un warmer, entonces inmediatamente espalda a una colocación más fresca, la unidad apagará. Espere 3 minutos.

## CONTROL DE VENTILACIÓN

El control de ventilación permite que el equipo de aire acondicionado haga recircular el aire en el interior de la habitación (CLOSE) o saque el aire hacia el exterior (OPEN). (Figura 12)

- La posición CLOSE sirve cuando se desea un enfriamiento máximo. También puede usarse para hacer recircular el aire sin enfriar la habitación cuando el equipo de aire acondicionado se ajusta en la posición FAN.
- La posición OPEN extrae el aire estancado de la habitación y lo expulsa hacia fuera. El aire fresco es llevado hacia el interior de la habitación a través de los pasajes normales de aire que se hallan en los hogares.
- La posición OPEN o CLOSE puede usarse con cualquier selección de ventilador.

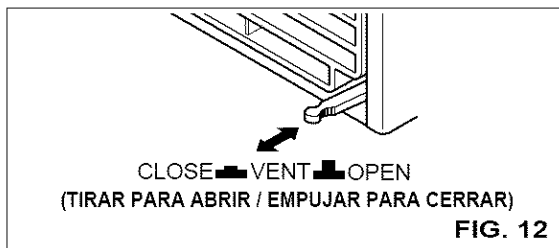


FIG. 12



# OPERACIÓN

## PANTALLA.

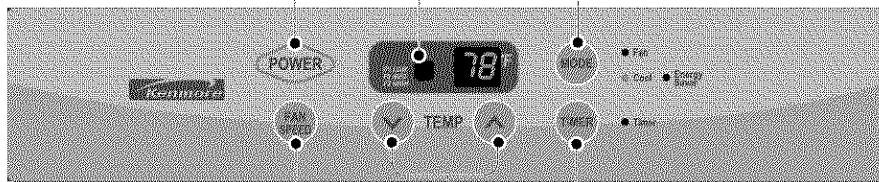
### ENERGÍA

- Para encender el aire acondicionado, oprima el botón. Para apagar el aire acondicionado, vuelva a oprimir el botón.
- Este botón tiene la prioridad sobre cualesquiera otros botones.
- Cuando lo enciende por primera vez, el aire acondicionado está en el modo de enfriamiento más alto y la temperatura en 72°F.

### CONTROL REMOTO RECEPTOR DE SEÑAL

### MODO

- Cada vez que oprime este botón, cambiará entre COOL, ENERGY SAVER y FAN (ENFRIAMIENTO, AHORRO DE ENERGÍA y VENTILADOR).
- AHORRO DE ENERGÍA
- El ventilador se detiene cuando el compresor deja de enfriar. Aproximadamente cada 3 minutos el ventilador se encenderá y se verificará la temperatura de la habitación para ver si es necesario enfriar.



### VELOCIDAD DEL VENTILADOR

- Cada vez que oprima este botón, se avanza en el ajuste de un rango como sigue: {HIGH(F3) → LOW(F1) → MED(F2) → HIGH(F3)}

### AJUSTE DE TEMPERATURA

- Use este botón para controlar automáticamente la temperatura de la habitación. La temperatura puede ajustarse dentro de un rango de 60°F a 86°F de 1°F.

### AUTO-ARRANQUE

*En caso de fallo de la corriente eléctrica, la unidad funcionará como antes cuando vuelve la corriente.*

### TEMPORIZADOR

- TIEMPO DE APAGADO
- Normalmente utilizará el temporizador de apagado mientras duerme.
- Si su unidad está funcionando, el temporizador fija el número de horas antes de apagarse.
- Para su comodidad mientras duerme, una vez que se fija el temporizador, el ajuste de temperatura se elevará 2°F después de 30 minutos y una vez más después de otros 30 minutos.
- Cada vez que oprima el botón del temporizador, hará que avance el ajuste del temporizador como sigue: 1 Hora → 2 Horas → etc. → 12 Horas máximo.
- TIEMPO DE INICIO DE FUNCIONAMIENTO
- Si su unidad está apagada, el temporizador fija el número de horas antes de encenderse.
- Cada vez que oprima el botón del temporizador, hará que avance el ajuste del temporizador como sigue: 1 Hora → 2 Horas → etc. → 12 Horas máximo.

## AJUSTE DE LA DIRECCIÓN DEL AIRE

### CONTROL HORIZONTAL DEL FLUJO DE AIRE

La dirección del flujo de aire horizontal se ajusta moviendo las rejillas verticales a la derecha o izquierda con la punta de sus dedos. (FIG. 13)

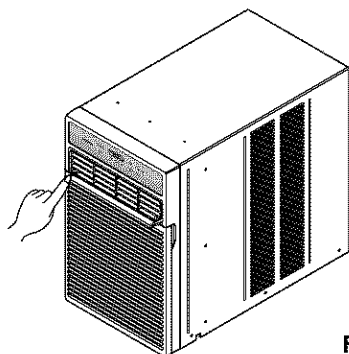


FIG. 13

### CONTROL VERTICAL DEL FLUJO DE AIRE

La dirección del flujo de aire vertical se ajusta girando las rejillas horizontales hacia arriba o hacia abajo. (FIG. 14)

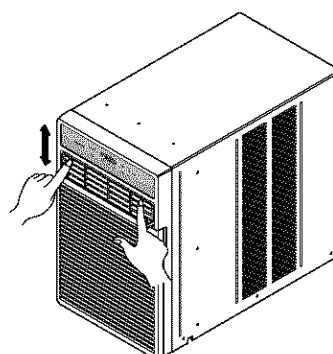


FIG. 14

# TABLE OF CONTENTS

## CONTROL REMOTO

**Nota:** El Control remoto podría no funcionar apropiadamente si hay un reflejo de luz sobre el sensor del aire acondicionado o si hay obstáculos entre el control remoto y la unidad de aire acondicionado.

Cada vez que oprime un botón, escuchará una señal acústica desde el aire acondicionado.

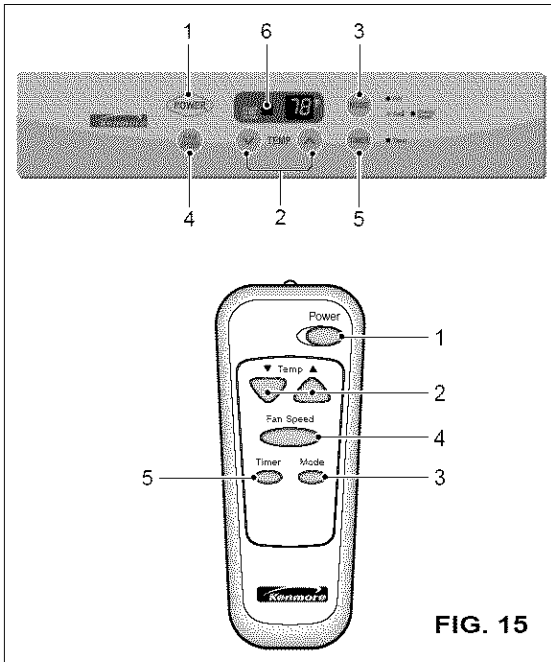


FIG. 15

## LAS OPERACIONES DEL CONTROL REMOTO

### 1. ENERGÍA

- Para encender el aire acondicionado, oprima el botón. Para apagar el aire acondicionado, vuelva a oprimir el botón.
- Este botón tiene la prioridad sobre cualesquiera otros botones.
- Cuando lo enciende por primera vez, el aire acondicionado está en el modo de enfriamiento más alto y la temperatura en 72°F.

### 2. AJUSTE DE TEMPERATURA

- Use este botón para controlar automáticamente la temperatura. La temperatura puede ajustarse dentro de un rango de 60°F a 86°F de 1°F.

### 3. MODO

- Cada vez que oprime este botón, cambiará entre COOL, ENERGY SAVER y FAN (ENFRIAMIENTO, AHORRO DE ENERGÍA y VENTILADOR).

#### - AHORRO DE ENERGÍA

- El ventilador se detiene cuando el compresor deja de enfriar.

Aproximadamente cada 3 minutos el ventilador se encenderá y se verificará la temperatura de la habitación para ver si es necesario enfriar.

### 4. VELOCIDAD DEL VENTILADOR

- Cada vez que oprima este botón, se avanza en el ajuste como sigue: {High(F3) → Low(F1) → Med(F2) → High(F3)}

### 5. TEMPORIZADOR

#### -TIEMPO DE APAGADO

- Normalmente utilizará el temporizador de apagado mientras duerme.
- Si su unidad está funcionando, el temporizador fija el número de horas antes de apagarse.
- Para su comodidad mientras duerme, una vez que se fija el temporizador, el ajuste de temperatura se elevará 2°F después de 30 minutos y una vez más después de otros 30 minutos.

Cada vez que oprima el botón del temporizador, hará que avance el ajuste del temporizador como sigue:

1 Hora → 2 Horas →etc.→12 Horas máximo.

#### - TIEMPO DE INICIO DE FUNCIONAMIENTO

- Si su unidad está apagada, el temporizador fija el número de horas antes de encenderse.

Cada vez que oprima el botón del temporizador, hará que avance el ajuste del temporizador como sigue:

1 Hora → 2 Horas →etc.→12 Horas máximo.

## COMO COLOCAR LAS BATERÍAS AL CONTROL REMOTO

1. Retire la cubierta de la parte posterior del control remoto.
2. Inserte dos baterías.
  - Asegúrese de orientar correctamente los polos (+) y (-).
  - Asegúrese que ambas baterías son nuevas.
3. Vuelva a colocar la cubierta.

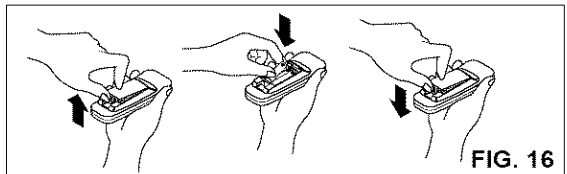


FIG. 16

- No utilice baterías recargables. Dichas baterías son diferentes de las baterías secas en la forma, dimensiones y funcionamiento.
- Saque las baterías del control remoto si no va a utilizar el aire acondicionado por un periodo prolongado.
- Para evitar el descargue, remueva las pilas del control remoto si el aire acondicionado no va a ser usado por un periodo extendido de tiempo. Mantenga el control remoto alejado de lugares de extramo calor o humedad. Para mantener la operación óptima del control remoto, el sensor del remoto no debe ser expuesto al rayo solar directo.
- El control remoto puede ser colocado sobre una pared usando el soporte montable.

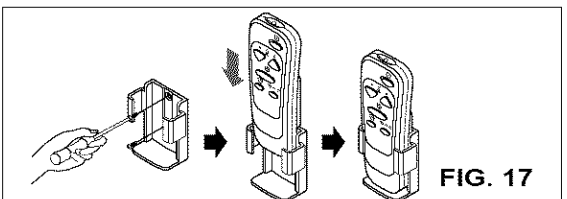


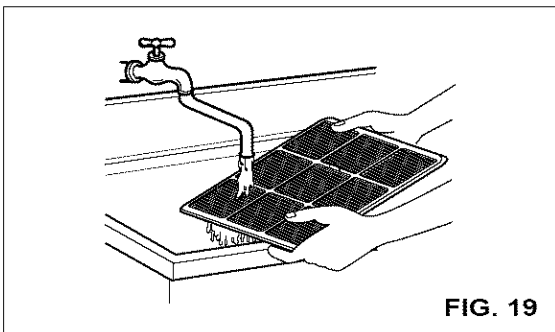
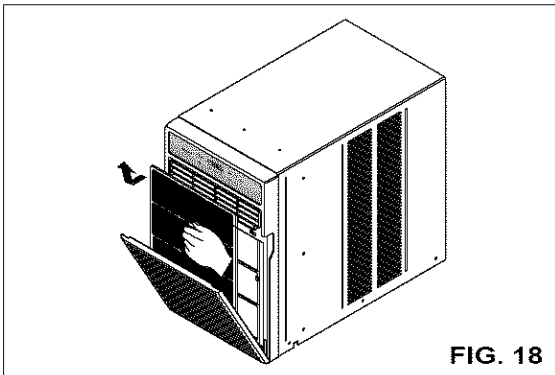
FIG. 17

# MAINTENANCE

## LIMPIEZA DEL FILTRO DEL AIRE

El filtro del aire se irá ensuciando a medida que va atrapando el polvo proveniente del aire interior. Es preciso lavar el filtro del aire al menos cada dos semanas. Si el filtro del aire permanece lleno de polvo, el flujo de aire disminuirá y se reducirá la capacidad de enfriamiento del equipo, con posibles daños para la unidad. (Figura 18)

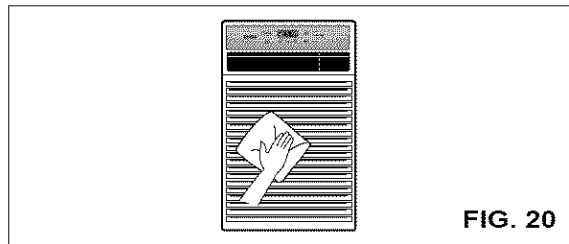
- Abra la rejilla de entrada de aire hacia arriba tirando de la parte superior de esta rejilla. (Figura 18)
- Remueva el filtro de aire de la parrilla frontal haland el fitro suavemente hacia arriba. (Figura 19)



## LIMPIEZA DEL EQUIPO DE AIRE ACONDICIONADO

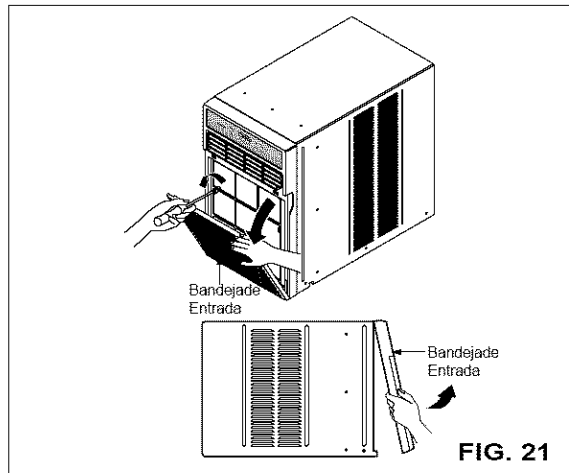
La rejilla frontal y la rejilla de entrada del aire pueden lavarse con un paño humedecido en una solución de detergente suave. El gabinete puede lavarse con un jabón o detergente suave y agua tibia, seguidamente puede pulirse con cera líquida especial para electrodomésticos.

Para asegurar una eficiencia máxima continua, los serpentines del condensador (lado de enfrente de la unidad) deben revisarse periódicamente y limpiarse si están obstruidos con hollín o con sucio de la atmósfera.



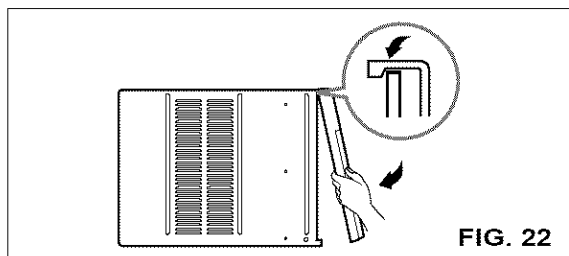
## CÓMO SACAR LA REJILLA FRONTAL

- Saque el tornillo que mantiene la rejilla frontal en posición.
- Quite el tornillo que asegura la reja delantera.
- Empuje la rejilla hacia arriba de abajo y jale la parte de arriba de la rejilla lejos de la base para levantar las lenguetas de arriba hacia afuera de las ranuras.



## CÓMO A REEMPLAZA EL GRILLE ANTERIOR

Pegue el panel frontal a la caja insertando los fijadores en el panel adentro los del panel de la caja.



# CORRECCIÓN DE FALLAS

## ANTES DE LLAMAR PARA SERVICIO

Cheque la siguiente lista para asegurarse si en realidad es necesario llamar para servicio. Una referencia rápida a este manual puede evitar una llamada para servicio innecesaria.

### EL AIRE ACONDICIONADO NO FUNCIONA

#### Compruebe si...

#### Después...

|   |   |
|---|---|
| El dispositivo interruptor de corriente está activado.          | Presione el botón RESET situado en la carcasa del enchufe del cable de alimentación.<br>Si el botón RESET no permanece presionado, deje de utilizar el equipo y póngase en contacto con un técnico de servicio cualificado. |
| El enchufe de pared está desconectado.                          | Empuje el enchufe firmemente contra la toma de pared.   |
| Fusible fundido o interruptor de circuito activado.             | Sustituya el fusible por uno de tipo de retardo o reinicie el interruptor de circuito.  |
| Equipo APAGADO.   | Presione el botón Power.  |
| La unidad se apagó y después se encendió demasiado rápidamente. | Apague la unidad y espere 3 minutos antes de volver a encenderla.   |
| El control de TEMP está más cálido que la temperatura ambiente. | Establezca el control TEMP a un número más inferior.  |

### EL AIRE DE LA UNIDAD NO SALE LO SUFICIENTEMENTE FRÍO.

#### Compruebe si...

#### Después...

|   |  |
|---|--|
| VELOCIDAD DEL VENTILADOR establecida en BAJA.   | Presione el botón FAN SPEED para fijarlo en HI.  |
| Control de TEMP establecido en demasiado cálido.  | Fije el control TEMP a una temperatura más inferior.   |
| Temperatura ambiente por debajo de los 70° F (21° C).   | El enfriamiento puede no ocurrir hasta que la temperatura ambiente sea superior a 70° F (21° C). |
| El conducto de detección de temperatura está en contacto con la bobina del evaporador, ubicada tras la rejilla frontal. | Enderece el conducto lejos de la bobina de evaporador.   |

### EL AIRE ACONDICIONADO ENFRÍA, PERO EL CUARTO ESTÁ DEMASIADO CÁLIDO – SE ESTÁ FORMANDO HIELO TRÁS LA REJILLA DE ENTRADA.

#### Compruebe si...

#### Después...

|   |  |
|---|--|
| Temperatura ambiente por debajo de los 70° F (21° C). | Para descongelar la bobina, fije el MODO a VENTILADOR, y la velocidad del ventilador a Alta.                                       |
| El filtro de aire puede estar sucio.                  | Limpie el filtro de aire. Consulte la sección de mantenimiento en el manual del propietario.                                       |
| Control TEMP fijado demasiado bajo.                   | Para descongelar la bobina, fije el MODO a Cool, la velocidad del ventilador a Alta, y el control TEMP a una temperatura más alta. |

### EL AIRE ACONDICIONADO ENFRÍA, PERO EL CUARTO ESTÁ DEMASIADO CÁLIDO

#### Compruebe si...

#### Después...

|  |  |
|--|--|
| Filtro de aire sucio – aire restringido.   | Limpie el filtro de aire. Consulte la sección de mantenimiento del manual del propietario.               |
| EL control TEMP está fijado a demasiado caliente.  | Fije el control de TEMP a una temperatura más inferior.  |
| La parte frontal de la unidad está bloqueada por persianas, cortinas, muebles, etc. La distribución del aire está restringida. | Elimine la obstrucción de delante de la unidad.  |
| Las puertas, ventanas, registros, etc. Están abiertos.<br>El aire frío se escapa.  | Cierre las puertas, ventanas, registros, etc.  |
| Unidad recientemente encendida en un cuarto caliente.  | Concede un tiempo adicional para a eliminación del calor almacenado en paredes, techo, suelo, y muebles. |

### EL AIRE ACONDICIONADO SE ENCIENDE Y APAGA RÁPIDAMENTE.

#### Compruebe si...

#### Después...

|   |  |
|---|--|
| La temperatura exterior es extremadamente caliente. | Fije la VELOCIDAD del VENTILADOR en HI para reducir al mínimo la carga de enfriamiento.  |
| La unidad está fijada en modo de ahorro de energía. | Aproximadamente cada 3 minutos, el ventilador se encenderá y la unidad comprobará la temperatura del aire del cuarto para determinar si es necesario enfriarlo. Este es el funcionamiento normal del modo ahorro de energía. |

### RUIDOS CUANDO LA UNIDAD ESTÁ ENFRIANDO.

#### Compruebe si...

#### Después...

|  |  |
|--|--|
| Ruido del ventilador golpeando agua – del sistema de eliminación de humedad. | Esto es normal cuando la humedad es alta. Cierre puertas, ventanas, y registros. |
| Vibración de la ventana – instalación defectuosa                             | Consulte las instrucciones de instalación o consulte con el instalador.          |

### GOTEO DE AGUA DENTRO DEL CUARTO CUANDO LA UNIDAD ESTÁ ENFRIANDO.

#### Compruebe si...

#### Después...

|   |  |
|---|--|
| El aire acondicionado está instalado incorrectamente. | Incline el aire acondicionado levemente hacia el exterior para permitir el drenaje del agua. Consulte las instrucciones de instalación o consulte con el instalador. |
|---|--|

### GOTEO DE AGUA EN EL EXTERIOR CUANDO LA UNIDAD ESTÁ ENFRIANDO.

#### Compruebe si...

#### Después...

|  |  |
|--|--|
| La unidad está eliminando grandes cantidades de humedad de un cuarto húmedo. | Esto es normal durante los días excesivamente húmedos. |
|--|--|

# NOTA



## Master Protection Agreements

*Congratulations on making a smart purchase.* Your new Kenmore® product is designed and manufactured for years of dependable operation. But like all products, it may require preventive maintenance or repair from time to time. That's when having a Master Protection Agreement can save you money and aggravation.

*Purchase a Master Protection Agreement now and protect yourself from unexpected hassle and expense.*

The Master Protection Agreement also helps extend the life of your new product. Here's what's included in the Agreement:

- Expert service** by our 12,000 professional repair specialists
- Unlimited service and no charge** for parts and labor on all covered repairs
- "No-lemon" guarantee** - replacement of your covered product if four or more product failures occur within twelve months
- Product replacement** if your covered product can't be fixed
- Annual Preventive Maintenance Check** at your request - no extra charge
- Fast help by phone** - phone support from a Sears technician on products requiring in-home repair, plus convenient repair scheduling
- Power surge protection** against electrical damage due to power fluctuations
- Rental reimbursement** if repair of your covered product takes longer than promised

Once you purchase the Agreement, a simple phone call is all that it takes for you to schedule service. You can call anytime day or night, or schedule a service appointment online.

Sears has over 12,000 professional repair specialists, who have access to over 4.5 million quality parts and accessories. That's the kind of professionalism you can count on to help prolong the life of your new purchase for years to come. Purchase your Master Protection Agreement today!

**Some limitations and exclusions apply. For prices and additional information call 1-800-827-6655.**

## Sears Installation Service

*For Sears professional installation* of home appliances, garage door openers, water heaters, and other major home items, in the U.S.A. call **1-800-4-MY-HOME®**

## Acuerdos de Protección Especializada

*¡Enhorabuena! Ha realizado una compra inteligente.* Su nuevo aparato Kenmore® está diseñado y fabricado para ofrecerle años de buen funcionamiento. Sin embargo, al igual que todos los productos, puede precisar un mantenimiento preventivo o incluso alguna reparación de vez en cuando. En esas ocasiones, un Master Protection Agreement puede ayudarle a ahorrar dinero e inconvenientes.

*Adquiera un Master Protection Agreement ahora, y protéjase a sí mismo de molestias y gastos inesperados.* El Master Protection Agreement le ayudará también a prolongar la vida de su nuevo aparato. Los siguientes servicios están incluidos:

- Servicio experto por parte de cualquiera de nuestros 12.000 técnicos profesionales especialistas de Sears.**
- Prestación de servicios sin limitaciones y sin cargarle** las piezas o la mano de obra en todas las reparaciones cubiertas por el acuerdo.
- Garantía seria de sustitución de las piezas** del producto cubierto por el acuerdo, si cuatro o más piezas se mostrasen defectuosas en un periodo de doce meses.
- Sustitución del producto por otro nuevo**, si el defectuoso no pudiese repararse.
- Control de mantenimiento anual preventivo**, siempre que lo desee y sin gasto adicional alguno.
- Asistencia telefónica inmediata** de un técnico especialista en productos que han de ser reparados a domicilio, además de una programación adecuada de la reparación.
- Protección contra subidas de tensión** que provoquen daños eléctricos debidos a las fluctuaciones en el suministro.
- Reintegro del alquiler** si la reparación del producto lleva más tiempo del prometido

Una vez que haya adquirido el Agreement, no necesitará más que una simple llamada para solicitar el servicio de su aparato. Además, podrá hacerlo en cualquier momento del día o de la noche, o solicitar una cita para prestación de servicios online.

Sears cuenta con más de 12.000 técnicos profesionales especialistas en reparaciones, con acceso a más de 4,5 millones de piezas de sustitución y accesorios de calidad. Éste será el tipo de profesionalidad y servicio con el que podrá contar para prolongar la vida de su nuevo producto por muchos años. ¡Adquiera hoy mismo su *Master Protection Agreement!*

**Se aplicarán algunas limitaciones y restricciones.**

**Si desea hacer alguna consulta sobre los precios u otra información adicional, le rogamos llame al teléfono 1-800-827-6655.**

## Servicios de Instalación Sears

*Para solicitar servicios de instalación profesionales de Sears* de electrodomésticos, mandos de apertura de puertas de garajes, calentadores de agua y otros aparatos en los Estados Unidos, puede llamar a **1-800-4-MY-HOME®**

# Get it fixed, at your home or ours!

## Your Home

For repair – **in your home** – of all major brand appliances, lawn and garden equipment, or heating and cooling systems, **no matter who made it, no matter who sold it!**

For the replacement parts, accessories and owner's manuals that you need to do-it-yourself.

For Sears professional installation of home appliances and items like garage door openers and water heaters.

**1-800-4-MY-HOME® (1-800-469-4663)**

Call anytime, day or night (U.S.A. and Canada)

[www.sears.com](http://www.sears.com)    [www.sears.ca](http://www.sears.ca)

## Our Home

For repair of carry-in items like vacuums, lawn equipment, and electronics, call or go on-line for the location of your nearest **Sears Parts & Repair Center.**

**1-800-488-1222**

Call anytime, day or night (U.S.A. only)

[www.sears.com](http://www.sears.com)

To purchase a protection agreement (U.S.A.) or maintenance agreement (Canada) on a product serviced by Sears:

**1-800-827-6655** (U.S.A.)

**1-800-361-6665** (Canada)

Para pedir servicio de reparación a domicilio, y para ordenar piezas:

**1-888-SU-HOGAR®**

(1-888-784-6427)

Au Canada pour service en français:

**1-800-LE-FOYER<sup>MC</sup>**

(1-800-533-6937)

[www.sears.ca](http://www.sears.ca)

The Sears logo is displayed in a large, stylized, italicized font. The word "Sears" is written in a bold, serif typeface. A horizontal line is positioned below the letters "e" and "a", extending from the left side of the "e" to the right side of the "a".

® Registered Trademark / ™ Trademark / ™ Service Mark of Sears Brands, LLC  
© Marca Registrada / ™ Marca de Fábrica / ™ Marca de Servicio de Sears Brands, LLC  
MC Marque de commerce / MD Marque déposée de Sears Brands, LLC

© Sears Brands, LLC

Part No.: 3828A21007N



## Free Manuals Download Website

<http://myh66.com>

<http://usermanuals.us>

<http://www.somanuals.com>

<http://www.4manuals.cc>

<http://www.manual-lib.com>

<http://www.404manual.com>

<http://www.luxmanual.com>

<http://aubethermostatmanual.com>

Golf course search by state

<http://golfingnear.com>

Email search by domain

<http://emailbydomain.com>

Auto manuals search

<http://auto.somanuals.com>

TV manuals search

<http://tv.somanuals.com>