



# Oasis

## Electric Dryer

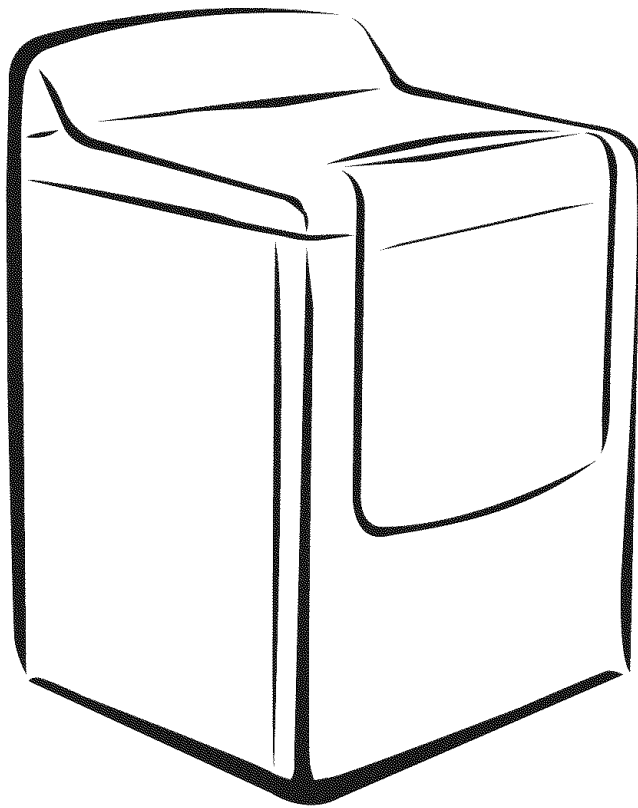
Use & Care Guide

## Secadora eléctrica

Manual de uso y cuidado

Models/Modelos **110.6705\***, **6706\***, **6707\***

\* = color number/número de color



ENGLISH ESPAÑOL

# TABLE OF CONTENTS

PROTECTION AGREEMENTS.....	2
WARRANTY.....	3
DRYER SAFETY.....	4
INSTALLATION INSTRUCTIONS.....	5
Tools and Parts.....	5
Location Requirements.....	5
Electrical Requirements.....	7
Electrical Connection.....	8
Venting Requirements.....	13
Plan Vent System.....	14
Install Vent System.....	15
Install Leveling Legs.....	15
Connect Vent.....	15
Level Dryer.....	16
Reverse Door Swing.....	16
Complete Installation.....	17
DRYER USE.....	18
Starting Your Dryer.....	18
Stopping, Pausing or Restarting.....	19
Drying and Cycle Tips.....	19
Status Lights.....	20
Cycles.....	20
Modifiers.....	21
Options.....	22
Cycle Signal.....	22
Changing Cycles, Modifiers and Options.....	22
Dryer Rack.....	23
DRYER CARE.....	24
Cleaning the Dryer Location.....	24
Cleaning the Lint Screen.....	24
Cleaning the Dryer Interior.....	24
Removing Accumulated Lint.....	24
Vacation and Moving Care.....	24
Changing the Drum Light.....	25
TROUBLESHOOTING.....	26
SERVICE NUMBERS.....	BACK COVER

# PROTECTION AGREEMENTS

## Master Protection Agreements

Congratulations on making a smart purchase. Your new Kenmore® product is designed and manufactured for years of dependable operation. But like all products, it may require preventive maintenance or repair from time to time. That's when having a Master Protection Agreement can save you money and aggravation.

*Purchase a Master Protection Agreement now and protect yourself from unexpected hassle and expense.*

The Master Protection Agreement also helps extend the life of your new product. Here's what's included in the Agreement:

- ✓ **Expert service** by our 12,000 professional repair specialists
- ✓ **Unlimited service and no charge** for parts and labor on all covered repairs
- ✓ **"No-lemon" guarantee** – replacement of your covered product if four or more product failures occur within twelve months
- ✓ **Product replacement** if your covered product can't be fixed
- ✓ **Annual Preventive Maintenance Check** at your request – no extra charge
- ✓ **Fast help by phone** – phone support from a Sears technician on products requiring in-home repair, plus convenient repair scheduling
- ✓ **Power surge protection** against electrical damage due to power fluctuations
- ✓ **Rental reimbursement** if repair of your covered product takes longer than promised

Once you purchase the Agreement, a simple phone call is all that it takes for you to schedule service. You can call anytime day or night, or schedule a service appointment online.

Sears has over 12,000 professional repair specialists, who have access to over 4.5 million quality parts and accessories. That's the kind of professionalism you can count on to help prolong the life of your new purchase for years to come. Purchase your Master Protection Agreement today!

**Some limitations and exclusions apply. For prices and additional information, call 1-800-827-6655.**

## Sears Installation Service

For Sears professional installation of home appliances, garage door openers, water heaters, and other major home items, in the U.S.A. call **1-800-4-MY-HOME®**.

# KENMORE ELITE® APPLIANCE WARRANTY

## ONE YEAR LIMITED WARRANTY

When installed, operated and maintained according to all instructions supplied with the product, if this appliance fails due to a defect in material or workmanship within one year from the date of purchase, call 1-800-4-MY-HOME® to arrange for free repair.

If this appliance is used for other than private family purposes, this warranty applies for only 90 days from the date of purchase.

### **THIS WARRANTY COVERS ONLY DEFECTS IN MATERIAL AND WORKMANSHIP. SEARS WILL NOT PAY FOR:**

1. Expendable items that can wear out from normal use, including but not limited to filters, belts, light bulbs, and bags.
2. A service technician to instruct the user in correct product installation, operation or maintenance.
3. A service technician to clean or maintain this product.
4. Damage to or failure of this product if it is not installed, operated or maintained according to all instructions supplied with the product.
5. Damage to or failure of this product resulting from accident, abuse, misuse or use for other than its intended purpose.
6. Damage to or failure of this product caused by the use of detergents, cleaners, chemicals or utensils other than those recommended in all instructions supplied with the product.
7. Damage to or failure of parts or systems resulting from unauthorized modifications made to this product.

## **DISCLAIMER OF IMPLIED WARRANTIES; LIMITATION OF REMEDIES**

Customer's sole and exclusive remedy under this limited warranty shall be product repair as provided herein. Implied warranties, including warranties of merchantability or fitness for a particular purpose, are limited to one year or the shortest period allowed by law. Sears shall not be liable for incidental or consequential damages. Some states and provinces do not allow the exclusion or limitation of incidental or consequential damages, or limitations on the duration of implied warranties of merchantability or fitness, so these exclusions or limitations may not apply to you.

This warranty applies only while this appliance is used in the United States and Canada.

This warranty gives you specific legal rights, and you may also have other rights which vary from state to state.

**Sears, Roebuck and Co.**  
**Dept. 817WA, Hoffman Estates, IL 60179**  
**Sears Canada Inc.**  
**Toronto, Ontario, Canada M5B 2B8**

## **PRODUCT RECORD**

In the space below, record your complete model number, serial number, and purchase date. You can find this information on the model and serial number label located on the product.

Have this information available to help you obtain assistance or service more quickly whenever you contact Sears concerning your appliance.

**Model number** \_\_\_\_\_

**Serial number** \_\_\_\_\_

**Purchase date** \_\_\_\_\_

**Save these instructions and your sales receipt for future reference.**

ENGLISH

# DRYER SAFETY

## Your safety and the safety of others are very important.

We have provided many important safety messages in this manual and on your appliance. Always read and obey all safety messages.



This is the safety alert symbol.

This symbol alerts you to potential hazards that can kill or hurt you and others.

All safety messages will follow the safety alert symbol and either the word "DANGER" or "WARNING."

These words mean:

**⚠ DANGER**

You can be killed or seriously injured if you don't immediately follow instructions.

**⚠ WARNING**

You can be killed or seriously injured if you don't follow instructions.

All safety messages will tell you what the potential hazard is, tell you how to reduce the chance of injury, and tell you what can happen if the instructions are not followed.

## IMPORTANT SAFETY INSTRUCTIONS

**WARNING:** To reduce the risk of fire, electric shock, or injury to persons when using the dryer, follow basic precautions, including the following:

- Read all instructions before using the dryer.
- Do not place items exposed to cooking oils in your dryer. Items contaminated with cooking oils may contribute to a chemical reaction that could cause a load to catch fire.
- Do not dry articles that have been previously cleaned in, washed in, soaked in, or spotted with gasoline, dry-cleaning solvents, or other flammable or explosive substances as they give off vapors that could ignite or explode.
- Do not allow children to play on or in the dryer. Close supervision of children is necessary when the dryer is used near children.
- Before the dryer is removed from service or discarded, remove the door to the drying compartment.
- Do not reach into the dryer if the drum is moving.
- Do not install or store the dryer where it will be exposed to the weather.
- Do not tamper with controls.
- Do not repair or replace any part of the dryer or attempt any servicing unless specifically recommended in this Use and Care Guide or in published user-repair instructions that you understand and have the skills to carry out.
- Do not use fabric softeners or products to eliminate static unless recommended by the manufacturer of the fabric softener or product.
- Do not use heat to dry articles containing foam rubber or similarly textured rubber-like materials.
- Clean lint screen before or after each load.
- Keep area around the exhaust opening and adjacent surrounding areas free from the accumulation of lint, dust, and dirt.
- The interior of the dryer and exhaust vent should be cleaned periodically by qualified service personnel.
- See installation instructions for grounding requirements.

**SAVE THESE INSTRUCTIONS**

# INSTALLATION INSTRUCTIONS

## Tools and Parts

Gather the required tools and parts before starting installation. Read and follow the instructions provided with any tools listed here.

- Flat-blade screwdriver
- #2 Phillips screwdriver
- Adjustable wrench that opens to 1" (2.5 cm) or hex-head socket wrench (for adjusting dryer feet)
- Wire stripper (for direct wire installations)
- Tin snips (new vent installations)
- Level
- Vent clamps
- Caulking gun and compound (for installing new exhaust vent)
- Tape measure

### Parts supplied:

Remove parts package from dryer drum. Check that all parts were included.



4 leveling legs

### Parts needed:

Check local codes, check existing electrical supply and venting and see "Electrical Requirements" and "Venting Requirements" before purchasing parts.

Mobile home installations require metal exhaust system hardware available for purchase from your local Sears store or Sears Service Center. For further information, please call **1-800-4-MY-HOME® (1-800-469-4663)**.

## Location Requirements

### ⚠ WARNING



#### Explosion Hazard

Keep flammable materials and vapors, such as gasoline, away from dryer.

Place dryer at least 18 inches (46 cm) above the floor for a garage installation.

Failure to do so can result in death, explosion, or fire.

### You will need

- A location that allows for proper exhaust installation. See "Venting Requirements."
- A separate 30-amp circuit.
- If you are using a power supply cord, a grounded electrical outlet located within 2 ft (61 cm) of either side of the dryer. See "Electrical Requirements."
- A sturdy floor to support the total weight (dryer and load) of 200 lbs (90.7 kg). The combined weight of a companion appliance should also be considered.
- A level floor with a maximum slope of 1" (2.5 cm) under entire dryer.

Do not operate your dryer at temperatures below 45°F (7°C). At lower temperatures, the dryer might not shut off at the end of an automatic cycle. Drying times can be extended.

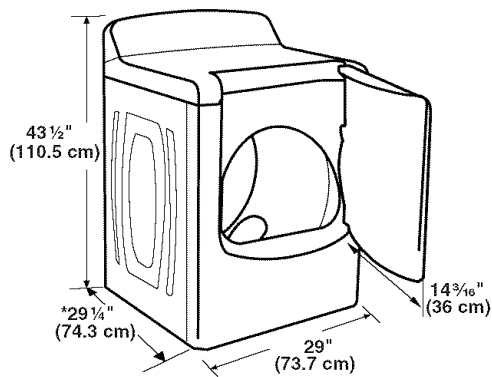
The dryer must not be installed or stored in an area where it will be exposed to water and/or weather.

Check code requirements. Some codes limit, or do not permit, installation of the dryer in garages, closets, mobile homes or sleeping quarters. Contact your local building inspector.

## Installation Clearances

The location must be large enough to allow the dryer door to open fully.

### Dryer Dimensions



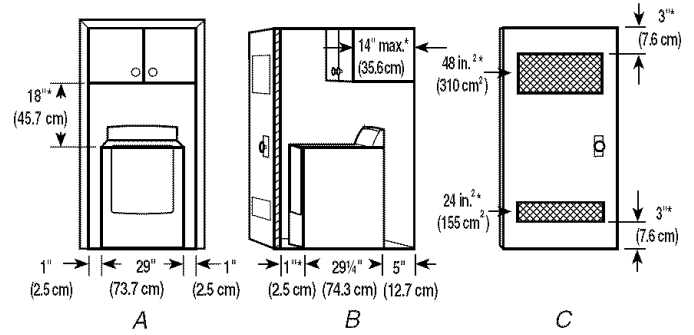
\*Most installations require a minimum 5" (12.7 cm) clearance behind the dryer for the exhaust vent with elbow. See "Venting Requirements."

### Installation spacing for recessed area or closet installation

The following spacing dimensions are recommended for this dryer. This dryer has been tested for spacing of 0" (0 cm) clearance on the sides and rear. Recommended spacing should be considered for the following reasons:

- Additional spacing should be considered for ease of installation and servicing.
- Additional clearances might be required for wall, door and floor moldings.
- Additional spacing should be considered on all sides of the dryer to reduce noise transfer.
- For closet installation, with a door, minimum ventilation openings in the top and bottom of the door are required. Louvered doors with equivalent ventilation openings are acceptable.

- Companion appliance spacing should also be considered.
- Additional spacing is required if you exhaust out the rear of the dryer to either the right or left side.



A. Recessed area  
B. Side view - closet or confined area  
C. Closet door with vents

\* Required spacing

### Mobile Home - Additional Installation Requirements

This dryer is suitable for mobile home installations. The installation must conform to the Manufactured Home Construction and Safety Standard, Title 24 CFR, Part 3280 (formerly the Federal Standard for Mobile Home Construction and Safety, Title 24, HUD Part 280).

#### Mobile home installations require:

- Metal exhaust system hardware, which is available for purchase from your local Sears store or Sears Service Center.
- Special provisions must be made in mobile homes to introduce outside air into the dryer. The opening (such as a nearby window) should be at least twice as large as the dryer exhaust opening.

## Electrical Requirements

### It is your responsibility

- To contact a qualified electrical installer.
- To be sure that the electrical connection is adequate and in conformance with the National Electrical Code, ANSI/NFPA 70-latest edition and all local codes and ordinances.

The National Electric Code requires a 4-wire supply connection for homes built after 1996, dryer circuits involved in remodeling after 1996, and all mobile home installations.

A copy of the above code standards can be obtained from: National Fire Protection Association, One Batterymarch Park, Quincy, MA 02269.

- To supply the required 3 or 4 wire, single phase, 120/240 volt, 60 Hz., AC only electrical supply (or 3 or 4 wire, 120/208 volt electrical supply, if specified on the serial/rating plate) on a separate 30-amp circuit, fused on both sides of the line. A time-delay fuse or circuit breaker is recommended. Connect to an individual branch circuit. Do not have a fuse in the neutral or grounding circuit.
- Do not use an extension cord.
- If codes permit and a separate ground wire is used, it is recommended that a qualified electrician determine that the ground path is adequate.

### Electrical Connection

To properly install your dryer, you must determine the type of electrical connection you will be using and follow the instructions provided for it here.

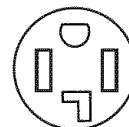
- If local codes do not permit the connection of a neutral ground wire to the neutral wire, see "Optional 3-wire connection" section.
- This dryer is manufactured ready to install with a 3-wire electrical supply connection. The neutral ground wire is permanently connected to the neutral conductor (white wire) within the dryer. If the dryer is installed with a 4-wire electrical supply connection, the neutral ground wire must be removed from the external ground conductor screw (green screw), and secured under the neutral terminal (center or white wire) of the terminal block. When the neutral ground wire is secured under the neutral terminal (center or white wire) of the terminal block, the dryer cabinet is isolated from the neutral conductor.
- A 4-wire power supply connection must be used when the appliance is installed in a location where grounding through the neutral conductor is prohibited. Grounding through the neutral is prohibited for (1) new branch-circuit installations, (2) mobile homes, (3) recreational vehicles, and (4) areas where local codes prohibit grounding through the neutral conductors.

### If using a power supply cord:

Use a UL listed power supply cord kit marked for use with clothes dryers. The kit should contain:

- A UL listed 30-amp power supply cord, rated 120/240 volt minimum. The cord should be type SRD or SRDT and be at least 4 ft (1.22 m) long. The wires that connect to the dryer must end in ring terminals or spade terminals with upturned ends.
- A UL listed strain relief.

### If your outlet looks like this:



4-wire receptacle (14-30R)

Then choose a 4-wire power supply cord with ring or spade terminals and UL listed strain relief. The 4-wire power supply cord, at least 4 ft (1.22 m) long, must have four 10-gauge copper wires and match a 4-wire receptacle of NEMA Type 14-30R. The ground wire (ground conductor) may be either green or bare. The neutral conductor must be identified by a white cover.

### If your outlet looks like this:



3-wire receptacle (10-30R)

Then choose a 3-wire power supply cord with ring or spade terminals and UL listed strain relief. The 3-wire power supply cord, at least 4 ft (1.22 m) long, must have three 10-gauge copper wires and match a 3-wire receptacle of NEMA Type 10-30R.

### If connecting by direct wire:

Power supply cable must match power supply (4-wire or 3-wire) and be:

- Flexible armored cable or nonmetallic sheathed copper cable (with ground wire), protected with flexible metallic conduit. All current-carrying wires must be insulated.
- 10-gauge solid copper wire (do not use aluminum).
- At least 5 ft (1.52 m) long.

### GROUNDING INSTRUCTIONS

- For a grounded, cord-connected dryer:  
This dryer must be grounded. In the event of malfunction or breakdown, grounding will reduce the risk of electric shock by providing a path of least resistance for electric current. This dryer uses a cord having an equipment-grounding conductor and a grounding plug. The plug must be plugged into an appropriate outlet that is properly installed and grounded in accordance with all local codes and ordinances.
- For a permanently connected dryer:  
This dryer must be connected to a grounded metal, permanent wiring system, or an equipment-grounding conductor must be run with the circuit conductors and connected to the equipment-grounding terminal or lead on the dryer.

**WARNING:** Improper connection of the equipment-grounding conductor can result in a risk of electric shock. Check with a qualified electrician or service representative or personnel if you are in doubt as to whether the dryer is properly grounded. Do not modify the plug on the power supply cord: if it will not fit the outlet, have a proper outlet installed by a qualified electrician.

**SAVE THESE INSTRUCTIONS**

## Electrical Connection

### Power Supply Cord

#### **⚠ WARNING**



##### Fire Hazard

- Use a new UL listed 30 amp power supply cord.
- Use a UL listed strain relief.
- Disconnect power before making electrical connections.
- Connect neutral wire (white or center wire) to center terminal (silver).
- Ground wire (green or bare wire) must be connected to green ground connector.
- Connect remaining 2 supply wires to remaining 2 terminals (gold).
- Securely tighten all electrical connections.
- Failure to do so can result in death, fire, or electrical shock.

### Direct Wire

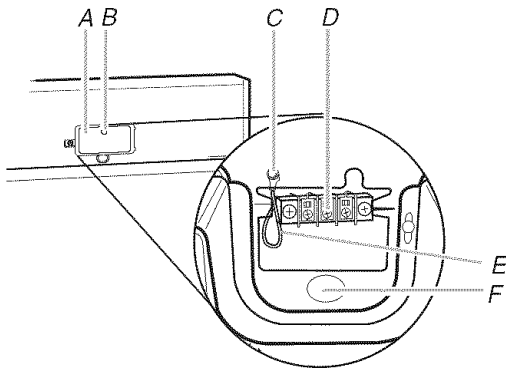
#### **⚠ WARNING**



##### Fire Hazard

- Use 10 gauge solid copper wire.
- Use a UL listed strain relief.
- Disconnect power before making electrical connections.
- Connect neutral wire (white or center wire) to center terminal (silver).
- Ground wire (green or bare wire) must be connected to green ground connector.
- Connect remaining 2 supply wires to remaining 2 terminals (gold).
- Securely tighten all electrical connections.
- Failure to do so can result in death, fire, or electrical shock.

1. Disconnect power.
2. Remove the hold-down screw and terminal block cover.

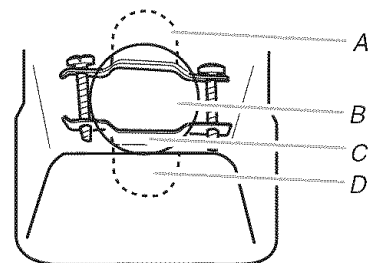


- A. Terminal block cover
- B. Hold-down screw
- C. External ground conductor screw
- D. Center, silver-colored terminal block screw
- E. Neutral ground wire
- F. Hole below terminal block opening

3. Install strain relief.

#### Style 1: Power supply cord strain relief

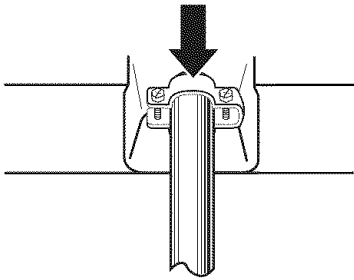
- Remove the screws from a  $\frac{3}{4}$ " (1.9 cm) UL listed strain relief (UL marking on strain relief). Put the tabs of the two clamp sections into the hole below the terminal block opening so that one tab is pointing up and the other is pointing down, and hold in place. Tighten strain relief screws just enough to hold the two clamp sections together.



- A. Strain relief tab pointing up
- B. Hole below terminal block opening
- C. Clamp section
- D. Strain relief tab pointing down

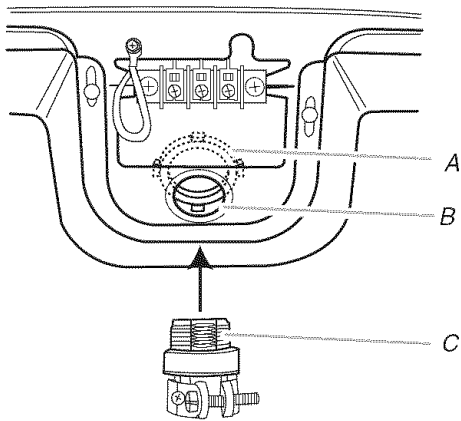


- Put power supply cord through the strain relief. Be sure that the wire insulation on the power supply cord is inside the strain relief. The strain relief should have a tight fit with the dryer cabinet and be in a horizontal position. Do not further tighten strain relief screws at this point.



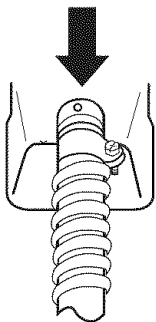
### Style 2: Direct wire strain relief

- Unscrew the removable conduit connector and any screws from a 3/4" (1.9 cm) UL listed strain relief (UL marking on strain relief). Put the threaded section of the strain relief through the hole below the terminal block opening. Reaching inside the terminal block opening, screw the removable conduit connector onto the strain relief threads.



A. Removable conduit connector  
B. Hole below terminal block opening  
C. Strain relief threads

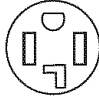
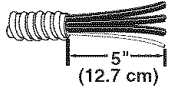

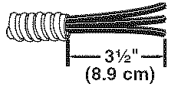
- Put direct wire cable through the strain relief. The strain relief should have a tight fit with the dryer cabinet and be in a horizontal position. Tighten strain relief screw against the direct wire cable.



- Now complete installation following instructions for your type of electrical connection:

- 4-wire** (recommended)
- 3-wire** (if 4-wire is not available)

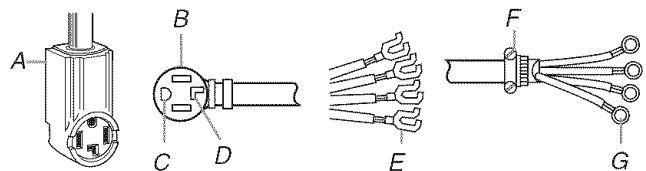
### Electrical Connection Options

If your home has:	And you will be connecting to:	Go to Section:
4-wire receptacle (NEMA type 14-30R) 	A UL listed, 120/240-volt minimum, 30-amp, dryer power supply cord*	4-wire connection: Power Supply Cord
4-wire direct 	A fused disconnect or circuit breaker box*	4-wire connection: Direct Wire
3-wire receptacle (NEMA type 10-30R) 	A UL listed, 120/240-volt minimum, 30-amp, dryer power supply cord*	3-wire connection: Power Supply Cord
3-wire direct 	A fused disconnect or circuit breaker box*	3-wire connection: Direct Wire

\* If local codes do not permit the connection of a cabinet-ground conductor to the neutral wire, go to "Optional 3-wire connection" section.

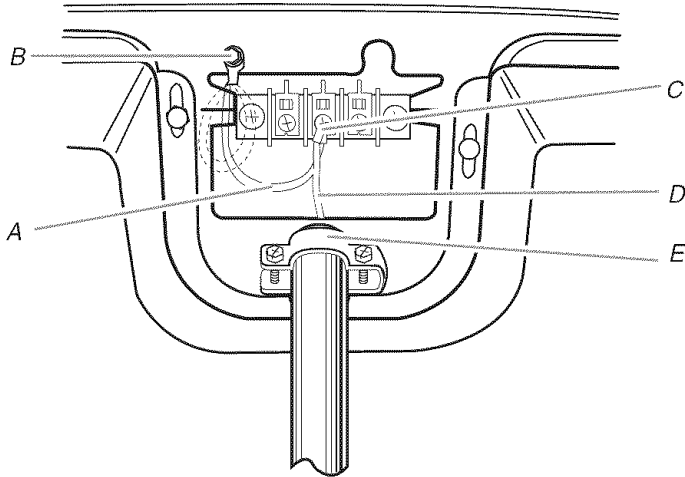
### 4-wire connection: Power supply cord

**IMPORTANT:** A 4-wire connection is required for mobile homes and where local codes do not permit the use of 3-wire connections.



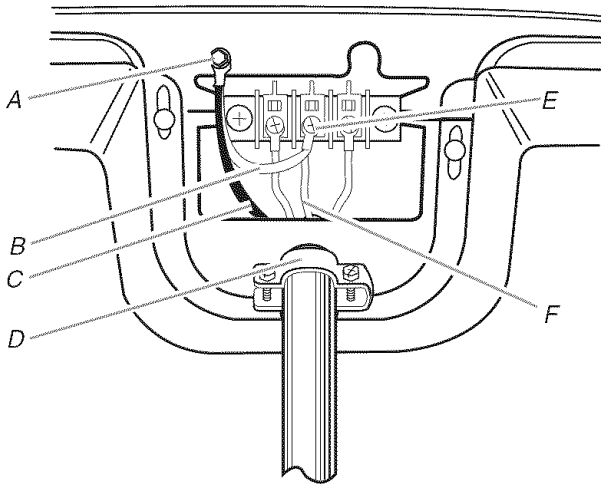
A. 4-wire receptacle (NEMA type 14-30R)  
B. 4-prong plug  
C. Ground prong  
D. Neutral prong  
E. Spade terminals with upturned ends  
F. 3/4" (1.9 cm) UL listed strain relief  
G. Ring terminals

1. Remove center silver-colored terminal block screw.
2. Remove neutral ground wire from external ground conductor screw. Connect neutral ground wire and the neutral wire (white or center wire) of power supply cord under center, silver-colored terminal block screw. Tighten screw.



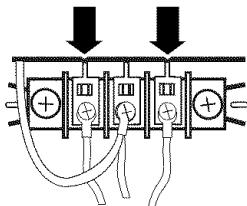
- A. Neutral ground wire
- B. External ground conductor screw - Dotted line shows position of NEUTRAL ground wire before being moved to center silver-colored terminal block screw.
- C. Center silver-colored terminal block screw
- D. Neutral wire (white or center wire)
- E.  $\frac{3}{4}$ " (1.9 cm) UL listed strain relief

3. Connect ground wire (green or bare) of power supply cord to external ground conductor screw. Tighten screw.



- A. External ground conductor screw
- B. Neutral ground wire
- C. Ground wire (green or bare) of power supply cord
- D.  $\frac{3}{4}$ " (1.9 cm) UL listed strain relief
- E. Center silver-colored terminal block screw
- F. Neutral wire (white or center wire)

4. Connect the other wires to outer terminal block screws. Tighten screws.



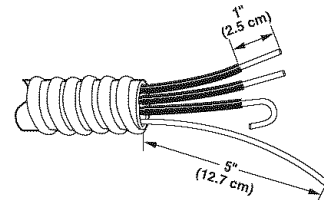
5. Tighten strain relief screws.
6. Insert tab of terminal block cover into slot of dryer rear panel. Secure cover with hold-down screw.
7. You have completed your electrical connection. Now go to "Venting Requirements."

#### 4-wire connection: Direct Wire

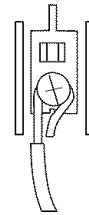
**IMPORTANT:** A 4-wire connection is required for mobile homes and where local codes do not permit the use of 3 wire connections.

Direct wire cable must have 5 ft (1.52 m) of extra length so dryer can be moved if needed.

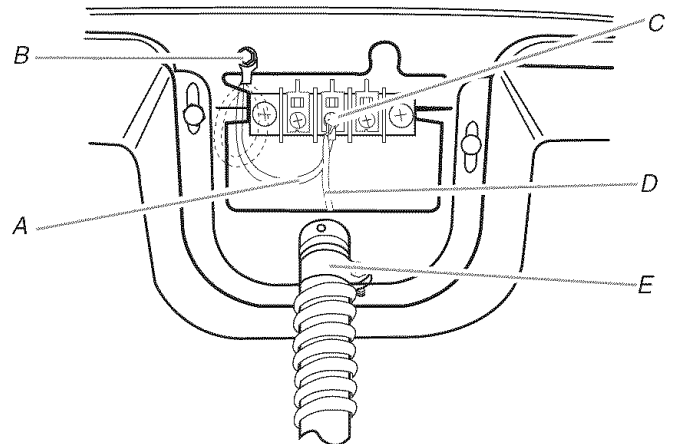
Strip 5" (12.7 cm) of outer covering from end of cable, leaving bare ground wire at 5" (12.7 cm). Cut  $1\frac{1}{2}$ " (3.8 cm) from 3 remaining wires. Strip insulation back 1" (2.5 cm). Shape ends of wires into a hook shape.



When connecting to the terminal block, place the hooked end of the wire under the screw of the terminal block (hook facing right), squeeze hooked end together and tighten screw, as shown.

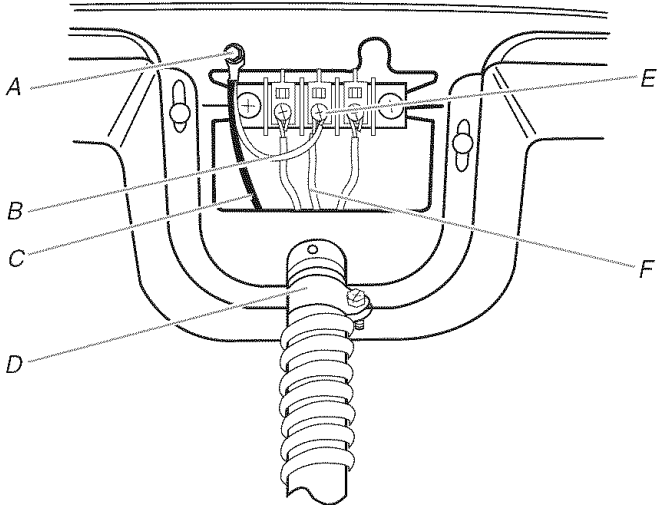


1. Remove center silver-colored terminal block screw.
2. Remove neutral ground wire from external ground conductor screw. Connect neutral ground wire and place the hooked end (hook facing right) of the neutral wire (white or center wire) of direct wire cable under the center screw of the terminal block. Squeeze hooked ends together. Tighten screw.



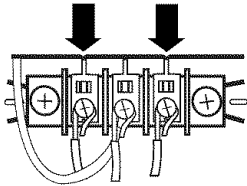
- A. Neutral ground wire
- B. External ground conductor screw - Dotted line shows position of NEUTRAL ground wire before being moved to center silver-colored terminal block screw.
- C. Center silver-colored terminal block screw
- D. Neutral wire (white or center wire)
- E.  $\frac{3}{4}$ " (1.9 cm) UL listed strain relief

3. Connect ground wire (green or bare) of direct wire cable to external ground conductor screw. Tighten screw.



A. External ground conductor screw  
 B. Neutral ground wire  
 C. Ground wire (green or bare) of power supply cord  
 D. 3/4" (1.9 cm) UL listed strain relief  
 E. Center silver-colored terminal block screw  
 F. Neutral wire (white or center wire)

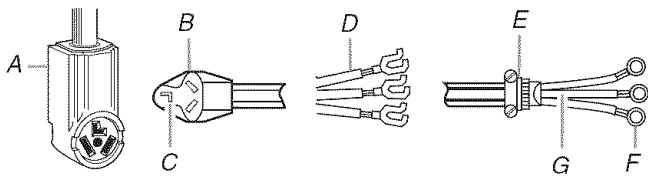
4. Place the hooked ends of the other direct wire cable wires under the outer terminal block screws (hooks facing right). Squeeze hooked ends together. Tighten screws.



5. Tighten strain relief screw.
6. Insert tab of terminal block cover into slot of dryer rear panel. Secure cover with hold-down screw.
7. You have completed your electrical connection. Now go to "Venting Requirements."

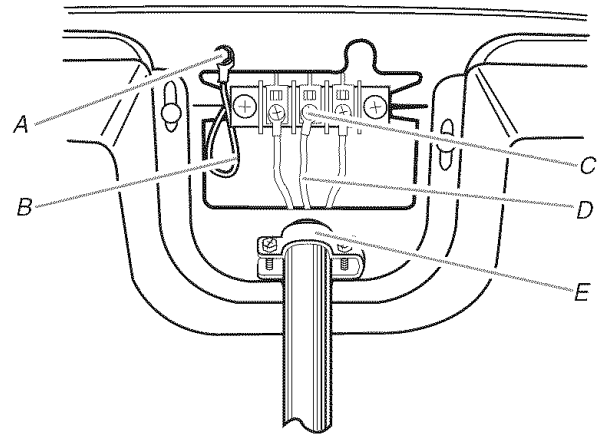
### 3-wire connection: Power supply cord

Use where local codes permit connecting cabinet-ground conductor to neutral wire.



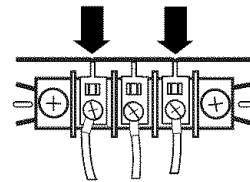
A. 3-wire receptacle (NEMA type 10-30R)  
 B. 3-wire plug  
 C. Neutral prong  
 D. Spade terminals with upturned ends  
 E. 3/4" (1.9 cm) UL listed strain relief  
 F. Ring terminals  
 G. Neutral wire (white or center wire)

1. Loosen or remove center silver-colored terminal block screw.
2. Connect neutral wire (white or center wire) of power supply cord to the center, silver-colored terminal screw of the terminal block. Tighten screw.



A. External ground conductor screw  
 B. Neutral ground wire  
 C. Center silver-colored terminal block screw  
 D. Neutral wire (white or center wire)  
 E. 3/4" (1.9 cm) UL listed strain relief

3. Connect the other wires to outer terminal block screws. Tighten screws.



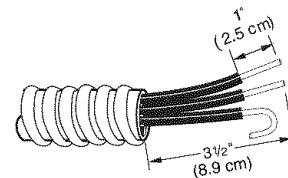
4. Tighten strain relief screws.
5. Insert tab of terminal block cover into slot of dryer rear panel. Secure cover with hold-down screw.
6. You have completed your electrical connection. Now go to "Venting Requirements."

### 3-wire connection: Direct Wire

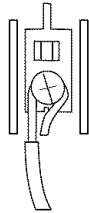
Use where local codes permit connecting cabinet-ground conductor to neutral wire.

Direct wire cable must have 5 ft (1.52 m) of extra length so dryer can be moved if needed.

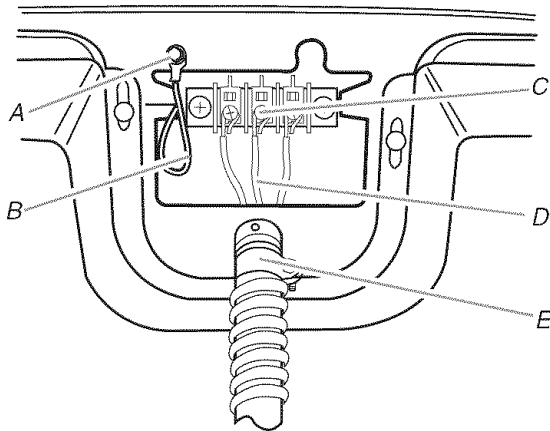
Strip 3 1/2" (8.9 cm) of outer covering from end of cable. Strip insulation back 1" (2.5 cm). If using 3-wire cable with ground wire, cut bare wire even with outer covering. Shape ends of wires into a hook shape.



When connecting to the terminal block, place the hooked end of the wire under the screw of the terminal block (hook facing right), squeeze hooked end together and tighten screw, as shown.

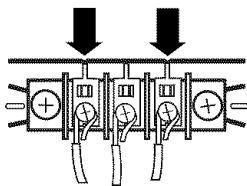


1. Loosen or remove center silver-colored terminal block screw.
2. Place the hooked end of the neutral wire (white or center wire) of direct wire cable under the center screw of terminal block (hook facing right). Squeeze hooked end together. Tighten screw.



- A. External ground conductor screw
- B. Neutral ground wire
- C. Center silver-colored terminal block screw
- D. Neutral wire (white or center wire)
- E.  $\frac{3}{4}$ " (1.9 cm) UL listed strain relief

3. Place the hooked ends of the other direct wire cable wires under the outer terminal block screws (hooks facing right). Squeeze hooked ends together. Tighten screws.

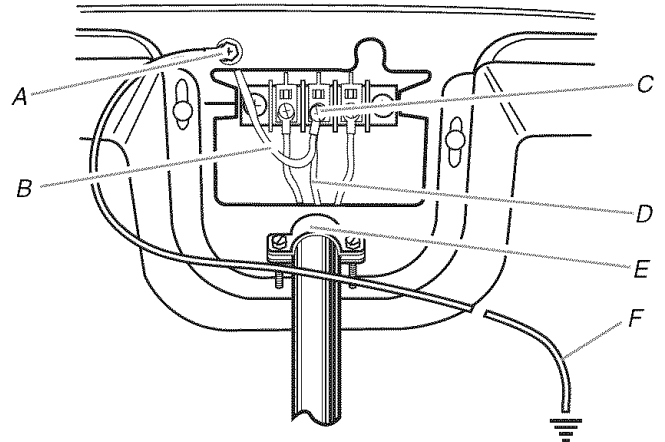


4. Tighten strain relief screw.
5. Insert tab of terminal block cover into slot of dryer rear panel. Secure cover with hold-down screw.
6. You have completed your electrical connection. Now go to "Venting Requirements."

### Optional 3-wire connection

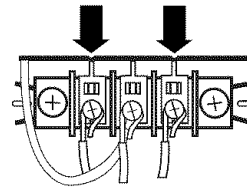
Use for direct wire or power supply cord where local codes do not permit connecting cabinet-ground conductor to neutral wire.

1. Remove center silver-colored terminal block screw.
2. Remove neutral ground wire from external ground conductor screw. Connect neutral ground wire and the neutral wire (white or center wire) of power supply cord/cable under center, silver-colored terminal block screw. Tighten screw.



- A. External ground conductor screw
- B. Neutral ground wire
- C. Center silver-colored terminal block screw
- D. Neutral wire (white or center wire)
- E.  $\frac{3}{4}$ " (1.9 cm) UL listed strain relief
- F. Grounding path determined by a qualified electrician

3. Connect the other wires to outer terminal block screws. Tighten screws.



4. Tighten strain relief screws.
5. Insert tab of terminal block cover into slot of dryer rear panel. Secure cover with hold-down screw.
6. Connect a separate copper ground wire from the external ground conductor screw to an adequate ground.

## Venting Requirements

### ⚠ WARNING



#### Fire Hazard

- Use a heavy metal vent.
- Do not use a plastic vent.
- Do not use a metal foil vent.
- Failure to follow these instructions can result in death or fire.

**WARNING:** To reduce the risk of fire, this dryer MUST BE EXHAUSTED OUTDOORS.

**IMPORTANT:** Observe all governing codes and ordinances. The dryer exhaust must not be connected into any gas vent, chimney, wall, ceiling or a concealed space of a building.

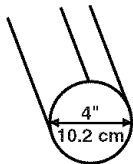
#### If using an existing vent system

- Clean lint from the entire length of the system and make sure exhaust hood is not plugged with lint.
- Replace any plastic or metal foil vent with rigid or flexible heavy metal vent.
- Review Vent system chart. Modify existing vent system if necessary to achieve the best drying performance.

#### If this is a new vent system

##### Vent material

- Use a heavy metal vent. Do not use plastic or metal foil vent.
- 4" (10.2 cm) heavy metal exhaust vent and clamps must be used. DURASAFE™ venting products are recommended.



4" (10.2 cm) heavy metal exhaust vent

DURASAFE™ vent products can be purchased from your dealer. For further information, please call 1-800-4-MY-HOME® (1-800-469-4663) or visit our website at [www.sears.com](http://www.sears.com).

##### Rigid metal vent

- For best drying performance, rigid metal vents are recommended.
- Rigid metal vent is recommended to avoid crushing and kinking.

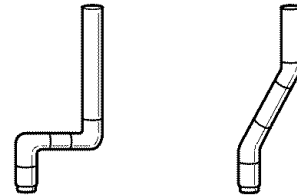
##### Flexible metal vent

- Flexible metal vents are acceptable only if accessible for cleaning.
- Flexible metal vent must be fully extended and supported when the dryer is in its final location.

- Remove excess flexible metal vent to avoid sagging and kinking that may result in reduced airflow and poor performance.
- Do not install flexible metal vent in enclosed walls, ceilings or floors.

##### Elbows

45° elbows provide better airflow than 90° elbows.

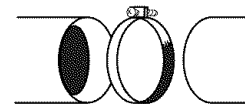


Good

Better

##### Clamps

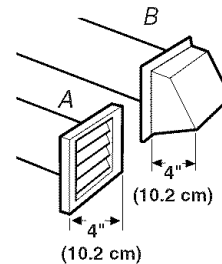
- Use clamps to seal all joints.
- Exhaust vent must not be connected or secured with screws or other fastening devices that extend into the interior of the duct. Do not use duct tape.



Clamp

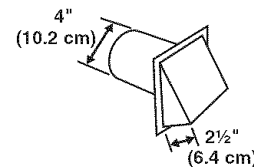
##### Exhaust

Recommended hood styles are shown here.



A. Louvered hood style  
B. Box hood style

The angled hood style (shown here) is acceptable.



- An exhaust hood should cap the vent to keep rodents and insects from entering the home.
- Exhaust hood must be at least 12" (30.5 cm) from the ground or any object that may be in the path of the exhaust (such as flowers, rocks or bushes, snow line, etc.).

- Do not use an exhaust hood with a magnetic latch.

**Improper venting can cause moisture and lint to collect indoors, which may result in:**

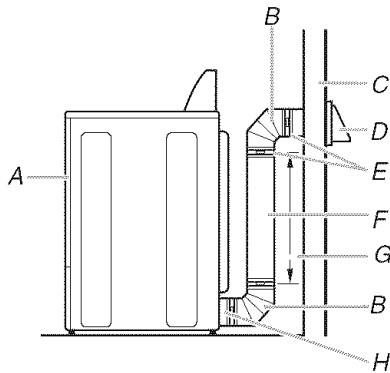
- Moisture damage to woodwork, furniture, paint, wallpaper, carpets, etc.
- Housecleaning problems and health problems.

## Plan Vent System

### Choose your exhaust installation type

#### Recommended exhaust installations

Typical installations vent the dryer from the rear of the dryer. Other installations are possible.




- |                 |  |
|-----------------|--|
| A. Dryer        | E. Clamps                                  |
| B. Elbow        | F. Rigid metal or flexible metal vent      |
| C. Wall         | G. Vent length necessary to connect elbows |
| D. Exhaust hood | H. Exhaust outlet                          |

#### Optional exhaust installations

Venting systems come in many varieties. Select the type best for your installation.

**⚠ WARNING**



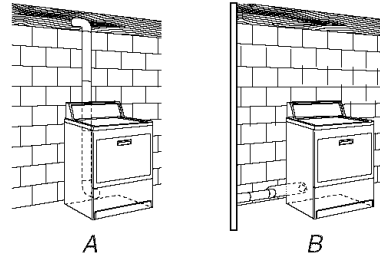
**Fire Hazard**

**Cover unused exhaust hole with the following kit:**  
8212503

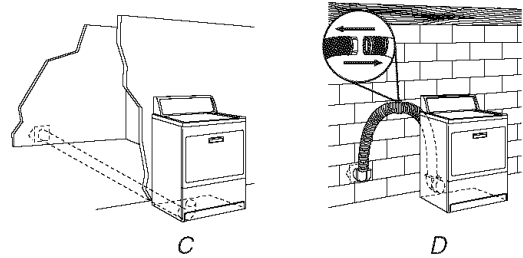
**Contact your local dealer.**

**Failure to follow these instructions can result in death, fire, electrical shock, or serious injury.**

This dryer can be converted to exhaust out the bottom. If you prefer, you may contact your local dealer to have the dryer converted. This dryer can also be exhausted from the rear to either the right or left side. Optional kits for these exhaust installations are needed. Refer to the manufacturer's instructions for kit installation instructions.



A. Standard rear offset exhaust installation  
B. Rear exhaust installation to left or right side



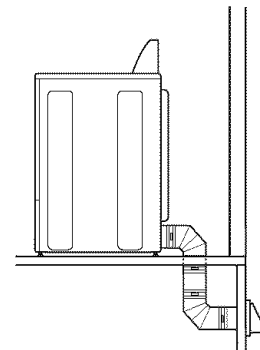
C. Bottom exhaust installation  
D. Over-the-top installation (also available with one offset elbow)

**NOTE:** The following kits for alternate installations are available for purchase. For further information, please call **1-800-4-MY-HOME® (1-800-469-4663)**.

- Rear exhaust installation to left or right side:  
Part Number 8212504
- Bottom exhaust installation:  
Part Number 8212503
- Over-the-Top installation:  
Part Number 26-49900

#### Special provisions for mobile home installations

The exhaust vent must be securely fastened to a noncombustible portion of the mobile home structure and must not terminate beneath the mobile home. Terminate the exhaust vent outside.



## Determine vent path

- Select the route that will provide the straightest and most direct path outdoors.
- Plan the installation to use the fewest number of elbows and turns.
- When using elbows or making turns, allow as much room as possible.
- Bend vent gradually to avoid kinking.
- Use the fewest 90° turns possible.

## Determine vent length and elbows needed for best drying performance

- Use the following Vent system chart to determine type of vent material and hood combinations acceptable to use.

**NOTE:** Do not use vent runs longer than those specified in the Vent system chart. Exhaust systems longer than those specified will:

- Shorten the life of the dryer.
- Reduce performance, resulting in longer drying times and increased energy usage.

The Vent system chart provides venting requirements that will help to achieve the best drying performance.

### Vent system chart

**NOTE:** Bottom exhaust performance is equivalent to adding two elbows. To determine maximum exhaust length, add two elbows to the chart.

**NOTE:** Performance of rear exhaust to either side of the dryer is equivalent to adding one elbow. To determine maximum exhaust length, add one elbow to the chart.

Number of 90° turns or elbows	Type of vent	Box or Louvered hoods	Angled hoods
0	Rigid metal	64 ft (20 m)	58 ft (17.7 m)
	Flexible metal	36 ft (11 m)	28 ft (8.5 m)
1	Rigid metal	54 ft (16.5 m)	48 ft (14.6 m)
	Flexible metal	31 ft (9.4 m)	23 ft (7 m)
2	Rigid metal	44 ft (13.4 m)	38 ft (11.6 m)
	Flexible metal	27 ft (8.2 m)	19 ft (5.8 m)
3	Rigid metal	35 ft (10.7 m)	29 ft (8.8 m)
	Flexible metal	25 ft (7.6 m)	17 ft (5.2 m)
4	Rigid metal	27 ft (8.2 m)	21 ft (6.4 m)
	Flexible metal	23 ft (7 m)	15 ft (4.6 m)

## Install Vent System

1. Install exhaust hood. Use caulking compound to seal exterior wall opening around exhaust hood.
2. Connect vent to exhaust hood. Vent must fit inside exhaust hood. Secure vent to exhaust hood with 4" (10.2 cm) clamp.
3. Run vent to dryer location. Use the straightest path possible. See "Determine vent path" in "Plan Vent System." Avoid 90° turns. Use clamps to seal all joints. Do not use duct tape, screws or other fastening devices that extend into the interior of the vent to secure vent.

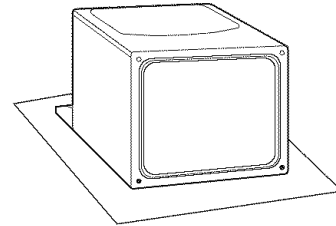
## Install Leveling Legs

### ⚠ WARNING

#### Excessive Weight Hazard

**Use two or more people to move and install dryer.  
Failure to do so can result in back or other injury.**

1. To protect the floor, use a large, flat piece of cardboard from the dryer carton. Place cardboard under the entire back edge of the dryer.
2. Firmly grasp the body of the dryer (not the top or console panel). Gently lay the dryer on the cardboard. See illustration.



3. Examine the leveling legs. Find the diamond marking.



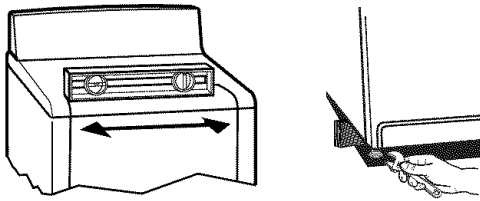
4. Screw the legs into the leg holes by hand. Use a wrench to finish turning the legs until the diamond marking is no longer visible.
5. Place a carton corner post from dryer packaging under each of the 2 dryer back corners. Stand the dryer up. Slide the dryer on the corner posts until it is close to its final location. Leave enough room to connect the exhaust vent.

## Connect Vent

1. Using a 4" (10.2 cm) clamp, connect vent to exhaust outlet in dryer. If connecting to existing vent, make sure the vent is clean. The dryer vent must fit over the dryer exhaust outlet and inside the exhaust hood. Make sure the vent is secured to exhaust hood with a 4" (10.2 cm) clamp.
2. Move dryer into its final location. Do not crush or kink vent.
3. (On gas models) Make sure that there are no kinks in the flexible gas line.
4. Once the exhaust vent connection is made, remove the corner posts and cardboard.

## Level Dryer

Check the levelness of the dryer. Check levelness first side to side, then front to back.



If the dryer is not level, prop up the dryer using a wood block. Use a wrench to adjust the legs up or down and check again for levelness.

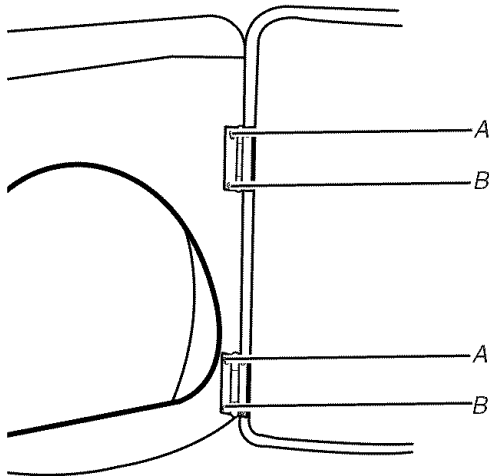
## Reverse Door Swing

You can change your door swing from a right-side opening to a left-side opening, if desired.

1. Place a towel or soft cloth on top of the dryer or work space to protect the surface.

### Remove the door assembly

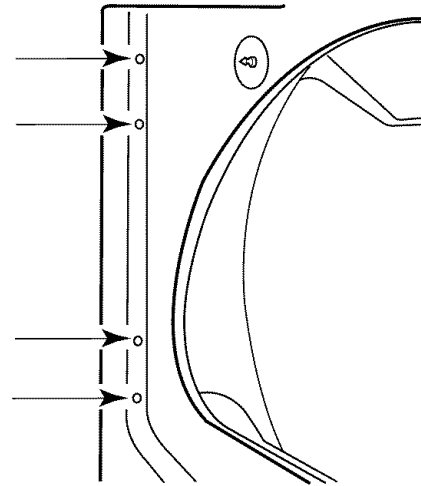
1. Open the dryer door.
2. Remove the bottom screw from each of the 2 hinges that attach the dryer door to the front panel of the dryer.
3. Loosen the top screw from each of the 2 hinges in Step 2.



A. Loosen these screws.  
B. Remove these screws.

4. Remove the dryer door and the hinges by lifting upward on the door. Lay the door on a flat, protected surface, with the inside of the door facing up. Remove remaining 2 loose screws from dryer front panel.

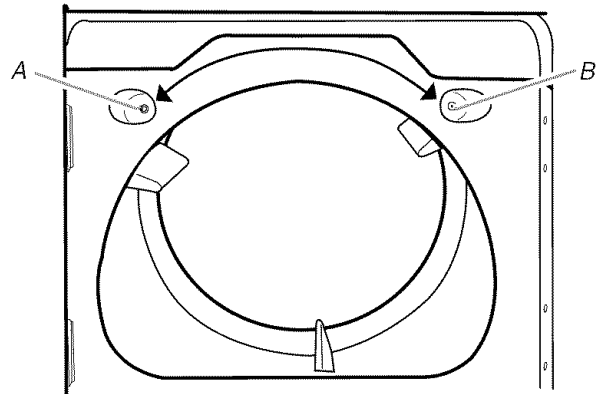
5. Remove the 4 plastic plugs located outside the dryer door opening.



6. Install 4 plastic plugs into screw holes in the dryer left when the hinges were removed in Step 4.

### Reverse the strike

1. Remove the door strike from the dryer door opening.
2. Remove the cosmetic screw opposite the door strike.



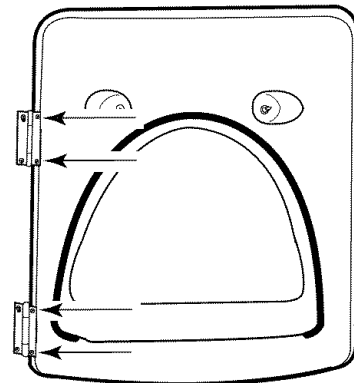
A. Door strike  
B. Cosmetic screw

3. Reinstall the door strike and cosmetic screw on the opposite side of the dryer door opening from where they were removed.

**NOTE:** Door strike and plugs must be on the same side of the dryer door opening.

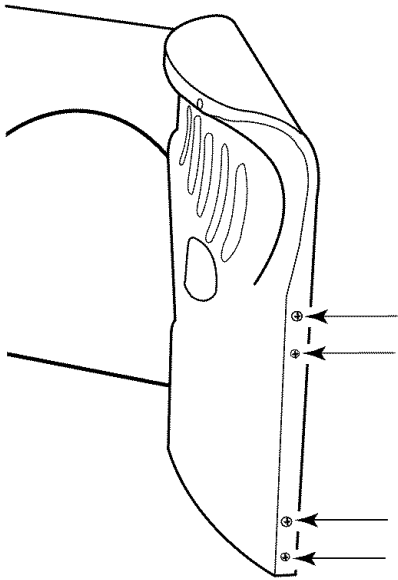
### Reinstall the door

1. Remove the 4 screws and 2 hinges from the dryer door.
2. Replace the 4 screws in the same holes.

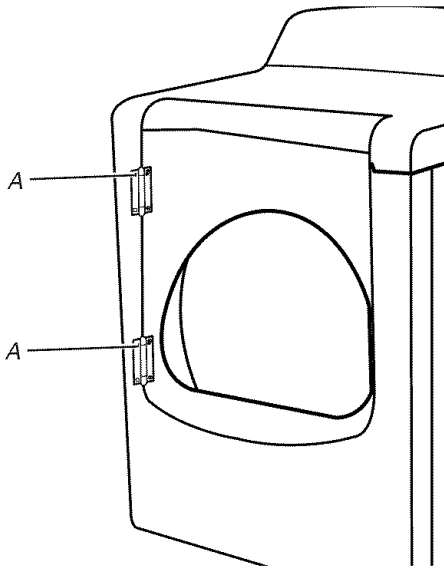




- Remove the 4 screws from the opposite side of the door.

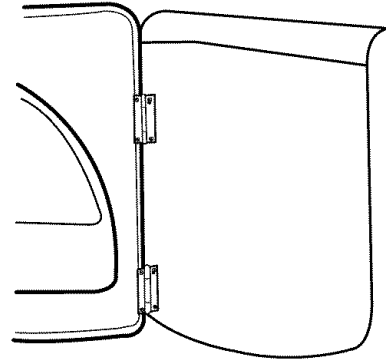


- Install the 2 hinges to the front panel of the dryer using 4 screws. Use the non-slotted side to attach the hinge to the front panel.
- Install screws in the top hinge holes in the door. Do not tighten screws. Leave approximately 1/4" (5 mm) of screw exposed.



A. Install these screws first.

- Hang door by placing screw heads into top slotted holes of hinges and slide door down. Align bottom screw holes in hinge and door. Install two bottom screws. Tighten all hinge screws.



- Close door to engage door strike.

### Complete Installation

- Check that all parts are now installed. If there is an extra part, go back through the steps to see which step was skipped.
- Check that you have all of your tools.
- Dispose of/recycle all packaging materials.
- Check the dryer's final location. Be sure the vent is not crushed or kinked.
- Check that the dryer is level. See "Level Dryer."
- For power supply cord installation, plug into an outlet. For direct wire installation, turn on power.
- Remove any protective film or tape remaining on the dryer.
 

**NOTE:** Glass door models have a protective film on the window that should be removed.
- Read "Dryer Use."
- Wipe the dryer drum interior thoroughly with a damp cloth to remove any dust.
- Test dryer operation by selecting a Timed Dry heated cycle and starting the dryer. For this test, do not select the Air Only modifier.

#### If the dryer will not start, check the following:

- Controls are set in a running or "On" position.
- Start button has been pushed firmly.
- Dryer is plugged into an outlet and/or electrical supply is on.
- Household fuse is intact and tight, or circuit breaker has not tripped.
- Dryer door is closed.

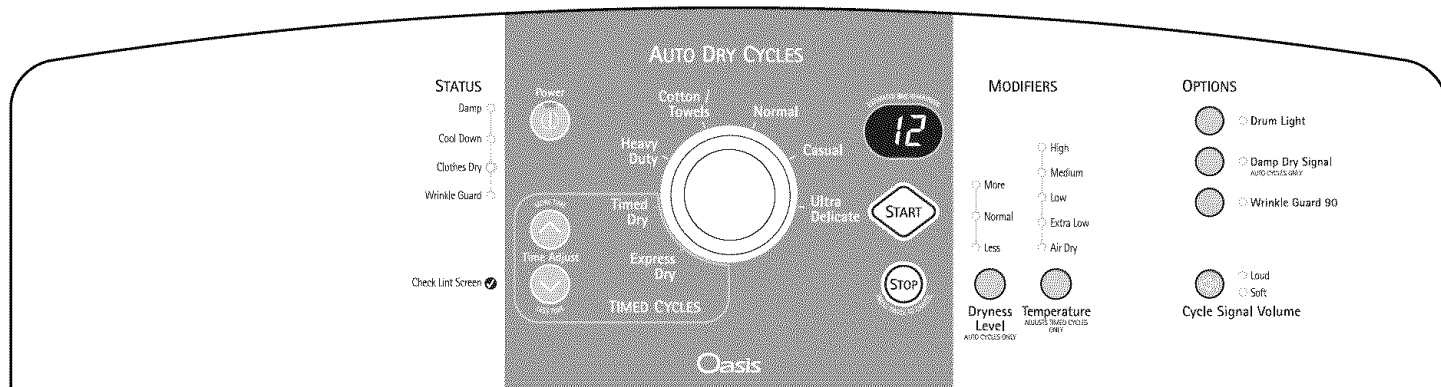
- When the dryer has been running for 5 minutes, open the dryer door and feel for heat. If you feel heat, cancel cycle and close the door.

#### If you do not feel heat, turn off the dryer and check the following:

- There may be 2 household fuses or circuit breakers for the dryer. Check that both fuses are intact and tight, or that both circuit breakers have not tripped. If there is still no heat, contact a qualified technician.

**NOTE:** You may notice an odor when the dryer is first heated. This odor is common when the heating element is first used. The odor will go away.

# DRYER USE



## Starting Your Dryer

### ⚠ WARNING



#### Explosion Hazard

Keep flammable materials and vapors, such as gasoline, away from dryer.

Do not dry anything that has ever had anything flammable on it (even after washing).

Failure to follow these instructions can result in death, explosion, or fire.

### ⚠ WARNING



#### Fire Hazard

No washer can completely remove oil.

Do not dry anything that has ever had any type of oil on it (including cooking oils).

Items containing foam, rubber, or plastic must be dried on a clothesline or by using an Air Cycle.

Failure to follow these instructions can result in death or fire.

**WARNING:** To reduce the risk of fire, electric shock, or injury to persons, read the IMPORTANT SAFETY INSTRUCTIONS before operating this appliance.

This booklet covers several different models. Your dryer may not have all of the cycles and features described.

Follow these basic steps to start your dryer. Please refer to specific sections of this manual for more detailed information.

1. Clean lint screen before each load. See "Cleaning the Lint Screen."
2. Place laundry into dryer and shut door.
3. Press POWER.
4. Turn the cycle selector knob to the desired cycle. The preset settings for Auto Dry Cycles or Timed Cycles will illuminate. The estimated (Auto Dry Cycles) or actual (Timed Cycles) cycle time (in minutes) will show in the display.

**NOTE:** A default time is displayed when an Auto Dry Cycle is selected. During the first few minutes of the drying process, the cycle time may automatically vary from the default time based on the size and fabric type of the load. Toward the end of the drying process, the estimated time display will adjust again, showing the final drying time.

#### To make changes during an Auto Dry Cycle:

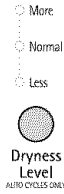
- Press STOP.

#### To use an Auto Dry Cycle

- Press POWER.
- Select an Auto Dry Cycle.
- Select DRYNESS LEVEL to adjust how dry you want the load. As the cycle runs, the control senses the dryness of the load and adjusts the time automatically for the selected dryness level.  
The default dryness setting is Normal when an Auto Dry Cycle is selected. You can select a different dryness level, depending on your load, by pressing DRYNESS LEVEL and choosing More, Normal or Less. Selecting More, Normal or Less automatically adjusts the dryness level at which the dryer will shut off. Once a dryness level is set, it cannot be changed without stopping the cycle.
- Select the desired Options.

■ Adjust Dryness Level.

**NOTE:** Dryness Level selections can be made only while using Auto Dry Cycles.

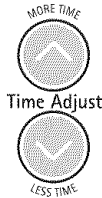


Auto Dry Cycles take the guesswork out of drying time and enhance fabric care. The amount of time that is displayed is the estimated time remaining in the cycle.

**To use a Timed Cycle**

- Select a Timed Cycle.
- Press the TIME ADJUST (More Time or Less Time) buttons until the desired drying time is displayed. Press MORE TIME or LESS TIME once and the time will change by 1-minute intervals. Press and hold MORE TIME or LESS TIME and the time will change by 5-minute intervals.

**NOTE:** The Time Adjust feature can be used only with Timed Cycles.



- Press TEMPERATURE until the desired temperature illuminates.

**NOTE:** During a Timed Cycle, you can change the settings for Time, Temperature, WRINKLE GUARD® and Cycle Signal.

**NOTE:** The Temperature feature can be used only with Timed Cycles.

5. (OPTIONAL STEP) If desired, select OPTIONS. For more details, see “Options.”
6. (OPTIONAL STEP) If desired, press CYCLE SIGNAL. A signal will sound to alert you when a cycle ends. For more details, see “Cycle Signal.”
7. Press START. Be sure the door is closed.
  - If you do not press Start within 5 minutes of selecting the cycle, the dryer automatically shuts off.
  - If you wish to end your drying cycle after pressing Start, press STOP twice.

## Stopping, Pausing or Restarting

### To stop or pause your dryer at any time

Open the door or press STOP once. Press STOP twice to cancel a cycle.

### To restart the dryer

Close the door. Press START until dryer starts.

**NOTE:** Drying will continue from where the cycle was interrupted if you close the door and press Start within 5 minutes. If the cycle is interrupted for more than 5 minutes, the dryer will shut off. Select new cycle settings before restarting the dryer.

## Drying and Cycle Tips

Select the correct cycle and dryness level or temperature for your load. If an Auto Dry Cycle is running, the display shows the estimated cycle time when your dryer is automatically sensing the dryness level of your load. If a Timed Cycle is running, the display shows the exact number of minutes remaining in the cycle.

Cool Down tumbles the load without heat during the last few minutes of all cycles. Cool Down makes the loads easier to handle and reduces wrinkling. The length of the Cool Down depends on the load size and dryness level.

### Drying tips

- Follow care label directions when they are available.
- If desired, add a fabric softener sheet. Follow package instructions.
- To reduce wrinkling, remove the load from the dryer as soon as tumbling stops. This is especially important for permanent press, knits and synthetic fabrics.
- Avoid drying heavy work clothes together with lighter fabrics. This could cause overdrying of lighter fabrics and lead to increased shrinkage or wrinkling.

### Cycle tips

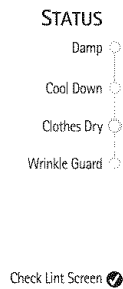
- Dry most loads using the preset cycle settings.
- Refer to the Auto or Timed Preset Cycle Settings charts (in the “Cycles” section) for a guide to drying various loads.
  - Drying temperature and dryness level are preset when you choose an Auto Dry Cycle. You can select a different dryness level, depending on your load, by pressing Dryness Level and choosing More, Normal or Less.
 

**NOTE:** You cannot use the Time Adjust and you cannot choose a Temperature with the Auto Dry Cycles.
  - If you wish to adjust the cycle length of a Timed Cycle, press the Time Adjust (More Time or Less Time) arrows. Adjust the temperature of a Timed Cycle by pressing Temperature until the desired temperature is selected.
 

**NOTE:** You cannot choose a dryness level with Timed Cycles.

## Status Lights

Follow the progress of your dryer with the drying Status indicator lights.



### Damp

The Damp light illuminates in an Auto Dry Cycle when the laundry is approximately 80% dry or suitable for ironing. Damp Dry Signal beeps, if selected. See "Options."

### Cool Down

The Cool Down light illuminates during the cool down part of the cycle. Laundry cools for ease in handling.

### Clothes Dry

The Clothes Dry light illuminates when the drying cycle is finished. This indicator stays on during WRINKLE GUARD®.

### WRINKLE GUARD®

The WRINKLE GUARD® light illuminates when this option is selected. This indicator stays on during WRINKLE GUARD®.

### Check Lint Screen

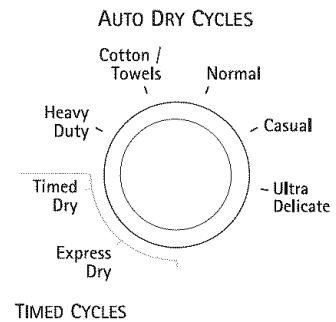
The Check Lint Screen light reminds you to check the lint screen. The light illuminates when the user selects a cycle. It goes out when the door is opened, Start is pressed, or after 5 minutes elapses.

### Indicator lights

Other indicator lights show Cycle, Options, Modifiers and Cycle Signal settings selected. The display shows the estimated or actual time remaining.

## Cycles

Select the drying cycle that matches the type of load you are drying. See Auto or Timed Preset Cycle Settings charts.



### AUTO DRY CYCLES

Auto Dry Cycles allow you to match the cycle to the load you are drying. See the following Auto Preset Cycle Settings chart. Each cycle dries certain fabrics at the recommended temperature. A sensor detects the moisture in the load and automatically adjusts the drying time for optimal drying.

#### Heavy Duty

Use this cycle to get high heat for heavyweight mixed loads, cottons and jeans.

#### Cotton/Towels

Use this cycle to get high heat for drying heavy fabrics such as towels, sheets or cottons.

#### Normal

Use this cycle to get medium heat for drying sturdy fabrics such as work clothes.

#### Casual

Use this cycle to get low heat for drying no-iron fabrics, such as sport shirts, casual business clothes and permanent press blends.

#### Ultra Delicate/Delicate

Use this cycle to get extra-low heat to gently dry items such as lingerie, blouses or washable knit fabrics.

### Auto Preset Cycle Settings

Follow care label directions.

Auto Dry Cycles Load Type	Temperature	Time* (Minutes)
<b>HEAVY DUTY</b> Heavyweight mixed loads, cottons, jeans	High	50
<b>COTTON/TOWELS</b> Towels, sheets, cottons	High	45
<b>NORMAL</b> Corduroys, work clothes	Medium	40
<b>CASUAL</b> Business casual clothes, permanent press, synthetics	Low	35
<b>ULTRA DELICATE/ DELICATE</b> Lingerie, blouses, washable knit fabrics	Extra-Low	25

\* Estimated Time with Auto Dry Level (Normal) setting. Time will vary depending on load type and load size.

### TIMED CYCLES

Use Timed Cycles to select a specific amount of drying time and a drying temperature. When a Timed Cycle is selected, the Estimated Time Remaining display shows the actual time remaining in your cycle. You can change the actual time in the cycle by pressing the TIME ADJUST (More Time or Less Time) buttons. See "Changing Cycles, Modifiers and Options."

**NOTE:** Timed Cycles may also be used with the dryer rack. See "Dryer Rack."

#### Timed Dry

Use this cycle to complete drying if items are still damp after an Auto Dry Cycle. Timed Dry is also useful for drying heavyweight and bulky items, such as blankets and work clothes. Lightweight garments, such as exercise wear, can be dried using Timed Dry on a low temperature setting.

#### EXPRESS DRY™

Use this cycle for drying small loads or loads that need a short drying time.

### Timed Preset Cycle Settings

Timed Cycles Load Type	Default Temperature	Default Time* (Minutes)
<b>TIMED DRY</b> Heavyweight, bulky items, blankets, work clothes	High	40
<b>EXPRESS DRY™</b> Small loads	High	23

\* Default times are remembered from the previous cycle.

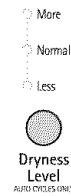
### Modifiers

#### Auto Dry Cycle Modifiers

Use the Dryness Level Modifier to select dryness levels for the Auto Dry Cycles. Press Dryness Level until the desired Dryness Level setting illuminates.

The preset dryness setting is Normal when an Automatic Cycle is selected. You can select a different dryness level, depending on your load, by pressing Dryness Level and choosing More, Normal or Less. Selecting More, Normal or Less automatically adjusts the dryness level at which the dryer will shut off. Once a dryness level is set, it cannot be changed without stopping the cycle.

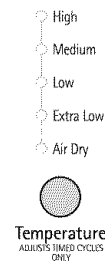
**NOTE:** Dryness Level selections cannot be used with the Timed Cycles.



#### Timed Cycle Modifiers

Use the Temperature Modifier to select temperatures for the Timed Cycles. Press Temperature until the desired temperature setting illuminates.

**NOTE:** Temperature modifiers cannot be used with the Auto Dry Cycles.



## Air Dry

Use the Air Dry Modifier for items that require drying without heat such as rubber, plastic and heat-sensitive fabrics. This table shows examples of items that can be dried using Air Dry.

Type of Load	Time* (Minutes)
Foam rubber - pillows, padded bras, stuffed toys	20 - 30
Plastic - Shower curtains, tablecloths	20 - 30
Rubber-backed rugs	40 - 50
Olefin, polypropylene, sheer nylon	10 - 20

\*Reset cycle to complete drying, if needed.

## When using Air Dry

- Check that coverings are securely stitched.
- Shake and fluff pillows by hand periodically during the cycle.
- Dry item completely. Foam rubber pillows are slow to dry.

**NOTE:** Air Dry is not available with Auto Dry Cycles.

## Options

You can customize your cycles by selecting options.

### OPTIONS

- Drum Light
- Damp Dry Signal
- Wrinkle Guard 90

## Drum Light

On some models, you may select Drum Light to turn on the light inside the dryer drum. During a cycle, if Drum Light is selected, the drum light turns on and will remain on until DRUM LIGHT is pressed again, the door is open and closed, or the door is left open for 5 minutes.

When the dryer is not running, the drum light will turn on when DRUM LIGHT is pressed or the dryer door is opened, and it will remain on until the dryer door has been open for 5 minutes, the dryer door is closed or DRUM LIGHT is pressed again.

Press DRUM LIGHT at any time to turn the drum light ON or OFF.

## Damp Dry Signal

Select the Damp Dry Signal to alert you that your clothes are approximately 80% dry or suitable for ironing. This is useful when you want to remove lightweight items in a mixed load to avoid overdrying or remove partially dry items that may need ironing.

The DAMP DRY SIGNAL is useful when drying bedsheets/linens in a mixed load. When the signal goes off, open the door to stop the dryer, rearrange the load inside the dryer, close the door and restart the dryer to finish the drying cycle. Rearranging the load will aid in the drying process.

**NOTE:** The Damp Dry Signal is available only with the Auto Dry Cycles.

## WRINKLE GUARD® (30, 60, 90, 150 minutes)

WRINKLE GUARD® helps smooth out wrinkles that may form when clothes are not removed promptly at the end of a cycle. During this option, the dryer stops tumbling and then tumbles again for a brief period without heat when pressed.

- Press WRINKLE GUARD® to get heat-free, periodic tumbling at the end of a cycle. WRINKLE GUARD® periodically starts and stops the dryer, tumbling the load without heat for 30, 60, 90 or 150 minutes (depending on your model) unless you open the dryer door.
- Stop WRINKLE GUARD® at any time by pressing WRINKLE GUARD®, opening the dryer door or pressing STOP.
- For the Casual Cycle, WRINKLE GUARD® is preset to ON. The other Auto Dry Cycles will retain the WRINKLE GUARD® setting. For example, if you select WRINKLE GUARD® in the Normal cycle, WRINKLE GUARD® will be on the next time you select the Normal cycle.

**NOTE:** If you do not select WRINKLE GUARD®, the dryer stops after cool down.

## Cycle Signal

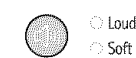
### Cycle Signal

The Cycle Signal produces an audible sound when the drying cycle is finished. Promptly removing clothes at the end of the cycle reduces wrinkling.

Press CYCLE SIGNAL VOLUME until the desired volume (Loud or Soft) is selected. On some models, press CYCLE SIGNAL to turn the Cycle Signal On or Off.



Cycle Signal



Cycle Signal Volume

**NOTE:** When WRINKLE GUARD® is selected, a tone sounds every 5 minutes until the clothes are removed, or WRINKLE GUARD® ends.

## Changing Cycles, Modifiers and Options

You can change Auto and Timed Cycles, Modifiers and Options anytime before pressing Start.

- Three short tones sound if an unavailable combination is selected. The last selection will not be accepted.

### Changing Cycles after pressing Start

1. Press STOP twice.
2. Select the desired cycle and options.
3. Press START. The dryer starts at the beginning of the new cycle.

**NOTE:** If you do not press Start within 5 minutes of selecting the cycle, the dryer automatically shuts off.

### Changing Modifiers and Options after pressing Start

You can change a Modifier or Option anytime before the selected Modifier or Option begins.

1. Press STOP once.
2. Select the new Modifier and/or Options.
3. Press START to continue the cycle.

**NOTE:** If you happen to press STOP twice, the program clears and your dryer shuts down. Restart the selection process.

### Changing the Preset Dryness Level Settings

If all your loads on all Auto Dry cycles are consistently not as dry as you would like, you may change the preset Dryness Level settings to increase the dryness. This change will affect all of your Auto Dry cycles.

Your Dryness Level settings can be adjusted to adapt to different installations, environmental conditions or personal preference. There are 3 drying settings: 1 (factory preset dryness level), 2 (slightly dryer clothes, approximately 15% more drying time) and 3 (much dryer clothes, approximately 30% more drying time).

1. The Dryness Level settings cannot be changed while the dryer is running.
2. Press and hold the Dryness Level button for 5 seconds. The dryer will beep, and "CF" will be displayed for 1 second followed by the current drying setting.
3. To select a new drying setting, press the Dryness Level key again until the desired drying setting is shown.  
**NOTE:** While cycling through the settings, the current setting will not flash, but the other settings will flash.
4. Press START to save the drying setting.
5. The drying setting you selected will become your new preset drying setting for all Auto Dry cycles.

### Dryer Rack

The dryer rack was shipped in the dryer drum.

Use the dryer rack for items that you do not want to tumble dry, such as sweaters.

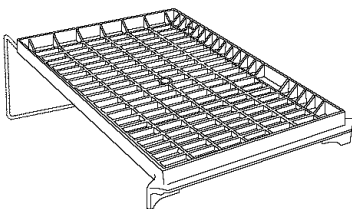
Use Timed Dry to select the desired time.

**NOTE:** Do not use Auto Dry Cycles with the dryer rack.

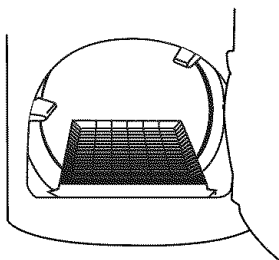
#### To use the dryer rack:

Do not remove the lint screen.

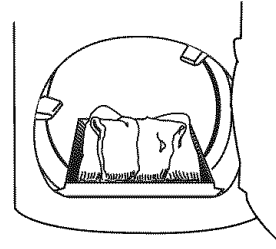
1. Open dryer door.



2. Slide dryer rack over the bottom of the dryer door opening. rest the back wire on the dryer back ledge. Push down on the frame front to secure over lint screen.



3. Place wet items on top of the rack. Allow space around items for air to circulate. The rack does not move, but the drum will rotate. Make sure items do not hang over the edges or between rack grille.



4. Close the door.
5. Select TIMED DRY and TIME ADJUST MORE TIME or LESS TIME. Refer to the following table.
6. Select the desired temperature setting to match the fabrics in your load by pressing TEMPERATURE. Items containing foam, rubber or plastic must be dried on a clothesline or by using an air cycle. Refer to the following table.
7. Start the dryer.

**NOTE:** Check the lint screen and remove any lint accumulated from items dried on the rack.

Suggested Items for Rack Drying	Cycle Setting	Suggested Time* (Minutes)
Washable wool items (block to shape and lay flat on rack)	Low	20
Stuffed toys or pillows (cotton or polyester fiber filling)	Low	30
Stuffed toys (foam rubber filled)	Air Dry	50
Galoshes (rubber)	Air Dry	20
Foam rubber pillows	Air Dry	50
Tennis shoes	Air Dry	20

\* Reset time as needed to complete drying.

**NOTE:** You must remove rack for normal tumbling. To remove the dryer rack, lift it straight up and out of the dryer.

# DRYER CARE

## Cleaning the Dryer Location

Keep dryer area clear and free from items that would obstruct the flow of combustion and ventilation air.

### **WARNING**



#### **Explosion Hazard**

Keep flammable materials and vapors, such as gasoline, away from dryer.

Place dryer at least 18 inches (46 cm) above the floor for a garage installation.

Failure to do so can result in death, explosion, or fire.

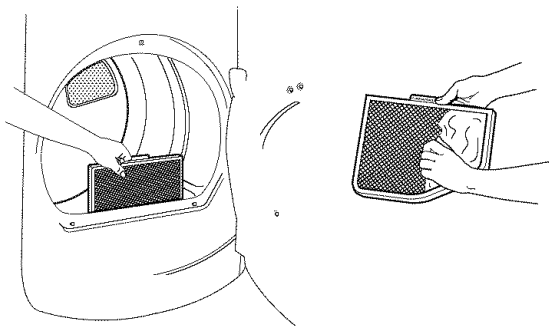
## Cleaning the Lint Screen

### Every load cleaning

The lint screen is located in the door opening of the dryer. The control panel has an indicator light to remind you to clean the lint screen before each load. A screen blocked by lint can increase drying time.

### To clean

1. Pull the lint screen straight up. Roll lint off the screen with your fingers. Do not rinse or wash screen to remove lint. Wet lint is hard to remove.



2. Push the lint screen firmly back into place.

### IMPORTANT:

- Do not run the dryer with the lint screen loose, damaged, blocked, or missing. Doing so can cause overheating and damage to both the dryer and fabrics.
- If lint falls off the screen into the dryer during removal, check the exhaust hood and remove the lint. See "Venting Requirements."

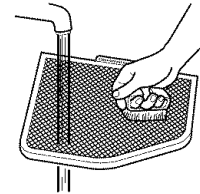
### As needed cleaning

Laundry detergent and fabric softener residue can build up on the lint screen. This buildup can cause longer drying times for your clothes, or cause the dryer to stop before your load is completely dry. The screen is probably clogged if lint falls off while the screen is in the dryer.

Clean the lint screen with a nylon brush every 6 months, or more frequently, if it becomes clogged due to a residue buildup.

### To wash

1. Roll lint off the screen with your fingers.
2. Wet both sides of lint screen with hot water.
3. Wet a nylon brush with hot water and liquid detergent. Scrub lint screen with the brush to remove residue buildup.



4. Rinse screen with hot water.
5. Thoroughly dry lint screen with a clean towel. Replace screen in dryer.

## Cleaning the Dryer Interior

### To clean dryer drum

1. Make a paste with powdered laundry detergent and very warm water.
2. Apply paste to a soft cloth.

### OR

Apply a liquid, nonflammable household cleaner to the stained area and rub with a soft cloth until all excess dye and stains are removed.

3. Wipe drum thoroughly with a damp cloth.
4. Tumble a load of clean cloths or towels to dry drum.

**NOTE:** Garments that contain unstable dyes, such as denim jeans or brightly colored cotton items, may discolor the dryer interior. These stains are not harmful to your dryer and will not stain future loads of clothes. Dry unstable dye items inside out to avoid dye transfer.



## Removing Accumulated Lint

### From Inside the Dryer Cabinet

Lint should be removed every 2 years, or more often, depending on dryer usage. Cleaning should be done by a qualified person.

### From the Exhaust Vent

Lint should be removed every 2 years, or more often, depending on dryer usage.

## Vacation and Moving Care

### Vacation care

Operate your dryer only when you are at home. If you will be on vacation or not using your dryer for an extended period of time, you should:

1. Unplug dryer or disconnect power.
2. Clean lint screen. See "Cleaning the Lint Screen."

### Moving care

#### For power supply cord-connected dryers:

1. Unplug the power supply cord.
2. Make sure leveling legs are secure in dryer base.
3. Use masking tape to secure dryer door.

#### For direct-wired dryers:

## **⚠ WARNING**



### Electrical Shock Hazard

Disconnect power before servicing.

Replace all parts and panels before operating.

Failure to do so can result in death or electrical shock.

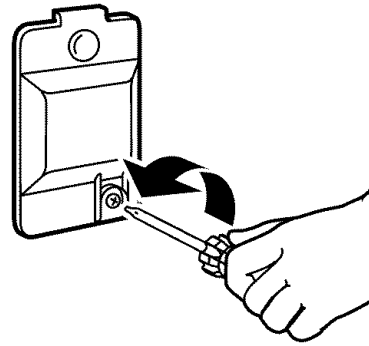
1. Disconnect power.
2. Disconnect wiring.
3. Make sure leveling legs are secure in dryer base.
4. Use masking tape to secure dryer door.

## Changing the Drum Light

The dryer light automatically turns on inside the dryer drum when you open the door.

### To change the drum light

1. Unplug dryer or disconnect power.
2. Open the dryer door. Locate the light bulb cover on the back wall of the dryer. Remove the screw located in the lower right corner of the cover. Remove the cover.



3. Turn bulb counterclockwise. Replace the bulb with a 10-watt appliance bulb only. Replace the cover and secure with the screw.
4. Plug in dryer or reconnect power.

# TROUBLESHOOTING

First try the solutions suggested here and possibly avoid the cost of a service call...

## Dryer Operation

### Dryer will not run

- **Has a household fuse blown, or has a circuit breaker tripped?**  
Replace the fuse or reset the circuit breaker. There may be 2 household fuses or circuit breakers for the electric dryer. Check that both fuses are intact and tight, or that both circuit breakers have not tripped. If the problem continues, call an electrician.
- **Is the correct power supply available?**  
Electric dryers require 240-volt power supply. Check with a qualified electrician.
- **Was a regular fuse used?**  
Use a time-delay fuse.
- **Is the dryer door firmly closed?**
- **Was the Start button firmly pressed?**  
Large loads may require pressing and holding the Start button for 2-5 seconds.

### No heat

- **Has a household fuse blown, or has a circuit breaker tripped?**  
The drum may be turning, but you may not have heat. Electric dryers use 2 household fuses or breakers. Replace the fuse or reset the circuit breaker. If the problem continues, call an electrician.

### Unusual sounds

- **Has the dryer had a period of non-use?**  
If the dryer hasn't been used for a while, there may be a thumping sound during the first few minutes of operation.
- **Is a coin, button or paper clip caught between the drum and front or rear of the dryer?**  
Check the front and rear edges of the drum for small objects. Clean out pockets before laundering.
- **Are the four legs installed, and is the dryer level front to back and side to side?**  
The dryer may vibrate if not properly installed. See "Installation Instructions."
- **Is the clothing knotted or balled up?**  
When balled up, the load will bounce, causing the dryer to vibrate. Separate the load items and restart the dryer.

### Dryer displaying code message

- **"PF" (power failure), check the following:**  
Was the drying cycle interrupted by a power failure? Press and hold START to restart the dryer.
- **"AF" (dryer is experiencing a low airflow condition):**  
To clear the code, press STOP once and the estimated time remaining countdown will return to the display. "AF" will continue to appear with each cycle until the low airflow condition is resolved.  
**Try the following:**  
Clean lint screen.  
Check that the vent pipe from the dryer to the wall is clear.  
Check at the outside of the home that the vent exhaust hood is not blocked.  
Have your home venting run cleaned professionally.  
If the problem continues, call for service. To contact Sears Service, call **1-800-4-MY-HOME® (1-800-469-4663)** or see the back page of this manual.
- **"F" Variable (F1, F2, F20, etc.) service codes:**  
Call for service. To contact Sears Service, call **1-800-4-MY-HOME® (1-800-469-4663)** or see the back page of this manual.

## Dryer Results

### Clothes are not drying satisfactorily, drying times are too long, or load is too hot

- **Is the lint screen clogged with lint?**  
Lint screen should be cleaned before each load.

## ⚠ WARNING



### Fire Hazard

Use a heavy metal vent.

Do not use a plastic vent.

Do not use a metal foil vent.

Failure to follow these instructions can result in death or fire.

- **Is the exhaust vent or outside exhaust hood clogged with lint, restricting air movement?**  
Run the dryer for 5-10 minutes. Hold your hand under the outside exhaust hood to check air movement. If you do not feel air movement, clean exhaust system of lint or replace exhaust vent with heavy metal or flexible metal vent. See "Installation Instructions."

- **Are fabric softener sheets blocking the grille?**  
Use only one fabric softener sheet, and use it only once.
- **Is the exhaust vent the correct length?**  
Check that the exhaust vent is not too long or has too many turns. Long venting will increase drying times. See "Installation Instructions."
- **Is the exhaust vent diameter the correct size?**  
Use 4" (10.2 cm) diameter vent material.

## ⚠ WARNING



### Explosion Hazard

Keep flammable materials and vapors, such as gasoline, away from dryer.

Place dryer at least 18 inches (46 cm) above the floor for a garage installation.

Failure to do so can result in death, explosion, or fire.

- **Is the dryer located in a room with temperature below 45°F (7°C)?**  
Proper operation of dryer cycles requires temperatures above 45°F (7°C).
- **Is the dryer located in a closet?**  
Closet doors must have ventilation openings at the top and bottom of the door. The rear of the dryer requires 5" (12.7 cm) of airspace. See "Installation Instructions."
- **Has the Air Only modifier been selected?**  
Select the right temperature for the types of garments being dried. See "Modifiers."
- **Is the load too large and heavy to dry quickly?**  
Separate the load to tumble freely.
- **Are all your Auto Dry cycle loads consistently not as dry as you would like?**  
You may change the preset Dryness Level settings to increase dryness for all Auto Dry cycles. See "Changing Cycles, Modifiers and Options."

## Cycle time too short

## ⚠ WARNING

### Excessive Weight Hazard

Use two or more people to move and install dryer.  
Failure to do so can result in back or other injury.

- **Is the Auto Dry Cycle ending early?**  
The load may not be contacting the sensor strips. Level the dryer.  
  
Change the dryness level setting on Auto Dry Cycles. Increasing or decreasing the dryness level will change the amount of drying time in a cycle.  
  
Do not use a dryer rack with an Auto Dry Cycle.

## Lint on load

- **Is the lint screen clogged?**  
Clean lint screen. Check for air movement.

## Stains on load or drum

- **Was dryer fabric softener properly used?**  
Add dryer fabric softener sheets at the beginning of the cycle. Fabric softener sheets added to a partially dried load can stain your garments.  
  
Drum stains are caused by dyes in clothing (usually blue jeans). This will not transfer to other clothing.

## Loads are wrinkled

- **Was the load removed from dryer at the end of the cycle?**
- **Was the dryer overloaded?**  
Dry smaller loads that can tumble freely.

## Odors

- **Have you recently been painting, staining or varnishing in the area where your dryer is located?**  
If so, ventilate the area. When the odors or fumes are gone from the area, rewash and dry the clothing.
- **Is the electric dryer being used for the first time?**  
The new electric heating element may have an odor. The odor will be gone after the first cycle.

# ÍNDICE

CONTRATOS DE PROTECCIÓN.....	28
GARANTÍA.....	29
SEGURIDAD DE LA SECADORA.....	30
INSTRUCCIONES DE INSTALACIÓN.....	31
Herramientas y piezas.....	31
Requisitos de ubicación.....	31
Requisitos eléctricos.....	32
Conexión eléctrica.....	34
Requisitos de ventilación.....	39
Planificación del sistema de ventilación.....	40
Instalación del sistema de ventilación.....	42
Instalación de las patas niveladoras.....	42
Conexión del ducto de escape.....	42
Nivelación de la secadora.....	42
Cómo invertir el cierre de la puerta.....	42
Complete la instalación.....	44
USO DE LA SECADORA.....	45
Puesta en marcha de la secadora.....	45
Detención o reanudación de la marcha.....	46
Sugerencias de ciclos y secado.....	46
Luces de estado.....	47
Ciclos.....	47
Modificadores.....	49
Opciones.....	49
Señal de ciclo (Cycle Signal).....	50
Cambio de ciclos, modificadores y opciones.....	50
Estante de la secadora.....	51
CUIDADO DE LA SECADORA.....	52
Limpieza del lugar donde está la secadora.....	52
Limpieza del filtro de pelusa.....	52
Limpieza del interior de la secadora.....	52
Eliminación de pelusa acumulada.....	53
Cuidado para las vacaciones y la mudanza.....	53
Cambio de la luz del tambor.....	53
SOLUCIÓN DE PROBLEMAS.....	54
NÚMEROS DE SERVICIO.....	CONTRAPORTADA

# CONTRATOS DE PROTECCIÓN

## Contratos Maestros de Protección

¡Felicitaciones por su inteligente adquisición! Su nuevo producto Kenmore® ha sido diseñado y fabricado para brindarle años de funcionamiento confiable. Pero al igual que todos los productos, puede necesitar mantenimiento preventivo o reparación de vez en cuando. Es allí donde el Contrato Maestro de Protección puede ahorrarle dinero e inconvenientes.

*Adquiera un Contrato Maestro de Protección hoy y protéjase contra molestias y gastos inesperados.*

El Contrato Maestro de Protección también ayuda a prolongar la vida de su nuevo producto. He aquí lo que se incluye en el Contrato:

- ✓ **Servicio experto** por nuestros 12.000 especialistas en reparación competentes
- ✓ **Servicio ilimitado y gratuito** para repuestos y mano de obra en todas las reparaciones protegidas por el contrato
- ✓ **Garantía "sin disgustos"** - reemplazo de su producto protegido si ocurren cuatro o más fallas del producto en el transcurso de doce meses
- ✓ **Reemplazo del producto** si su producto protegido no puede ser reparado
- ✓ **Revisión Anual de Mantenimiento Preventivo** a solicitud suya - sin costo adicional
- ✓ **Ayuda rápida por teléfono** - asistencia por teléfono a cargo de un técnico de Sears para productos que deban ser reparados en su hogar, además de un horario de reparación conveniente
- ✓ **Protección de sobrevoltaje** contra daños eléctricos debido a fluctuaciones de electricidad
- ✓ **Reembolso de la renta** si la reparación de su producto protegido tarda más de lo prometido

Una vez adquirido el Contrato, tan sólo tiene que llamar para fijar la visita de servicio técnico. Usted puede llamar a cualquier hora, de día o de noche, o fijar una visita técnica en internet.

Sears cuenta con un equipo de más de 12.000 especialistas en reparación competentes, quienes tienen a disposición más de 4,5 millones de repuestos y accesorios de calidad. Ése es el tipo de profesionalismo con el que usted puede contar para ayudarlo a prolongar la vida de su nuevo artefacto por muchos años más. ¡Adquiera hoy su Contrato Maestro de Protección!

**Se aplican algunas limitaciones y exclusiones. Para obtener precios e información adicional, llame al 1-800-827-6655.**

## Servicio de Instalación de Sears

Para la instalación profesional de Sears de artefactos electrodomésticos, abridores de puertas de garaje, calentadores de agua y otros artículos importantes de la casa, en los EE.UU. llame al **1-800-4-MY-HOME®**.

# GARANTÍA DE LOS ELECTRODOMÉSTICOS KENMORE ELITE®

## GARANTÍA LIMITADA DE UN AÑO

Cuando este electrodoméstico haya sido instalado, operado y mantenido según las instrucciones provistas con el producto, si este electrodoméstico falla por defectos de material o de mano de obra dentro de un año a partir de la fecha de compra, llame al 1-800-4-MY-HOME® para gestionar la reparación libre de cargo.

Si este electrodoméstico es empleado para algún otro uso que no sea el doméstico familiar, esta garantía sólo tiene vigencia por 90 días a partir de la fecha de compra.

## ESTA GARANTÍA CUBRE SOLAMENTE LOS DEFECTOS DE MATERIAL Y MANO DE OBRA. SEARS NO PAGARÁ POR LO SIGUIENTE:

1. Los artículos no reutilizables que pueden gastarse por el uso normal, incluyendo, pero sin limitación, filtros, correas, focos y bolsas.
2. Un técnico de servicio para enseñarle al usuario cómo instalar, operar o mantener el producto adecuadamente.
3. Un técnico de servicio para limpiar o mantener este producto.
4. Daños a este producto o fallas del mismo en caso de no ser instalado, operado o mantenido conforme a todas las instrucciones provistas con el producto.
5. Daños a este producto o fallas del mismo como resultado de accidente, abuso, uso indebido o un uso diferente de aquel para el cual fue creado.
6. Daños a este producto o fallas del mismo causados por el uso de detergentes, limpiadores, productos químicos o utensilios diferentes de los recomendados en todas las instrucciones provistas con el producto.
7. Daños a piezas o sistemas o fallas de los mismos como resultado de modificaciones no autorizadas que se hayan efectuado en este producto.

## EXCLUSIÓN DE GARANTÍAS IMPLÍCITAS; LIMITACIÓN DE RECURSOS

El único y exclusivo recurso del cliente según los términos de esta garantía limitada será el de reparar el producto según se estipula en la presente. Las garantías implícitas, incluyendo las garantías de comerciabilidad o de capacidad para un propósito particular, serán limitadas a un año o al período más corto permitido por ley. Sears no se hará responsable por daños incidentales o consecuentes. Algunos estados y provincias no permiten la exclusión o limitación de daños incidentales o consecuentes, o limitaciones acerca de cuánto debe durar una garantía implícita de comerciabilidad o capacidad, de modo que las limitaciones o exclusiones arriba mencionadas pueden no aplicarse en su caso.

Esta garantía se aplica sólo mientras este electrodoméstico se usa en los Estados Unidos y Canadá.

Esta garantía le otorga derechos legales específicos, y es posible que usted tenga también otros derechos, los cuales varían de un estado a otro.

**Sears, Roebuck and Co.**  
**Dept. 817WA, Hoffman Estates, IL 60179**  
**Sears Canada Inc.**  
**Toronto, Ontario, Canada M5B 2B8**

## REGISTRO DEL PRODUCTO

En el espacio a continuación, anote el número completo de modelo y serie así como la fecha de compra. Usted puede encontrar esta información en la etiqueta con el número de modelo y de serie ubicada en el producto.

Tenga esta información disponible para facilitarle la obtención de asistencia o servicio con prontitud siempre que llame a Sears con respecto a su electrodoméstico.

Número de modelo \_\_\_\_\_

Número de serie \_\_\_\_\_

Fecha de compra \_\_\_\_\_

**Guarde estas instrucciones y su comprobante de compra para referencia futura.**

ESPAÑOL

# SEGURIDAD DE LA SECADORA

## Su seguridad y la seguridad de los demás es muy importante.

Hemos incluido muchos mensajes importantes de seguridad en este manual y en su electrodoméstico. Lea y obedezca siempre todos los mensajes de seguridad.



Este es el símbolo de advertencia de seguridad.

Este símbolo le llama la atención sobre peligros potenciales que pueden ocasionar la muerte o una lesión a usted y a los demás.

Todos los mensajes de seguridad irán a continuación del símbolo de advertencia de seguridad y de la palabra "PELIGRO" o "ADVERTENCIA". Estas palabras significan:

**! PELIGRO**

Si no sigue las instrucciones de inmediato, usted puede morir o sufrir una lesión grave.

**! ADVERTENCIA**

Si no sigue las instrucciones, usted puede morir o sufrir una lesión grave.

Todos los mensajes de seguridad le dirán el peligro potencial, le dirán cómo reducir las posibilidades de sufrir una lesión y lo que puede suceder si no se siguen las instrucciones.

## INSTRUCCIONES IMPORTANTES DE SEGURIDAD

**ADVERTENCIA:** A fin de reducir el riesgo de incendio, descarga eléctrica o de daño a las personas que usen la secadora, deben seguirse las precauciones básicas, incluidas las siguientes:

- Lea todas las instrucciones antes de usar la secadora.
- No coloque los objetos expuestos a aceite para cocinar en su secadora. Los objetos expuestos a aceites para cocinar pueden contribuir a una reacción química que podría causar que una carga se inflame.
- No seque artículos que ya se hayan limpiado, lavado, remojado o manchado con gasolina, disolventes de limpieza en seco, u otras sustancias inflamables o explosivas ya que despiden vapores que pueden encenderse o causar una explosión.
- No permita que jueguen los niños sobre o dentro de la secadora. Es necesaria la cuidadosa vigilancia de los niños toda vez que se use la secadora cerca de ellos.
- Quite la puerta de la secadora al compartimiento de secado antes de ponerla fuera de funcionamiento o de descartarla.
- No introduzca las manos en la secadora cuando el tambor está en movimiento.
- No instale o almacene esta secadora donde estará expuesta a agua o a la intemperie.
- No trate de forzar los controles.
- No repare o reemplace ninguna pieza de la secadora ni trate de repararla a menos que esto se recomiende específicamente en el Manual del propietario o en instrucciones de reparación publicadas para el usuario que usted comprenda y sólo si cuenta con la experiencia necesaria para llevar a cabo dicha reparación.
- No utilice suavizadores de tejidos o productos para eliminar el estático de prendas a menos que lo recomiende el fabricante del suavizador de tejidos o las instrucciones del producto en uso.
- No utilice calor para secar prendas que contengan espuma de caucho o materiales de caucho con textura similar.
- Limpie el filtro de pelusa antes o después de cada carga de ropa.
- Mantenga el área alrededor de la apertura de ventilación y las áreas adyacentes a esta apertura sin pelusa, polvo o tierra.
- La parte interior de la secadora y el ducto de escape se deben limpiar periódicamente. Esta limpieza la debe llevar a cabo un reparador calificado.
- Vea la instrucciones de instalación para los requisitos de conexión a tierra.

**GUARDE ESTAS INSTRUCCIONES**

# INSTRUCCIONES DE INSTALACIÓN

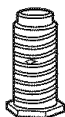
## Herramientas y piezas

Reúna las herramientas y piezas necesarias antes de comenzar la instalación. Lea y siga las instrucciones provistas con cualquiera de las herramientas enlistadas aquí.

- Destornillador de cuchilla plana
- Destornillador Phillips # 2
- Llave de tuercas ajustable que se abra a 1" (2,5 cm) o una llave de cubo de cabeza hexagonal (para regular las patas de la secadora)
- Desfornador de alambre (instalaciones de cableado directo)
- Tijeras de lata (instalaciones del nuevo ducto de escape)
- Nivel
- Abrazaderas para ducto
- Pistola y masilla para calafateo (para instalar el nuevo ducto de escape)
- Cinta para medir

### Piezas suministradas:

Retire el paquete de piezas del tambor de la secadora. Verifique que estén todas las piezas.



4 patas niveladoras

### Piezas necesarias:

Verifique los códigos locales, verifique el suministro eléctrico existente y la ventilación y vea "Requisitos eléctricos" y "Requisitos de ventilación" antes de comprar las piezas.

Las instalaciones en casas rodantes necesitan artículos de ferretería para sistemas de ventilación de metal que se pueden comprar en su tienda Sears o en el centro de servicio técnico Sears de su localidad. Para más información, llame por favor **1-800-4-MY-HOME® (1-800-469-4663)**.

## Requisitos de ubicación

### ⚠ ADVERTENCIA



#### Peligro de Explosión

**Mantenga los materiales y vapores inflamables, como la gasolina, lejos de la secadora.**

**Coloque la secadora a un mínimo de 46 cm sobre el piso para la instalación en un garaje.**

**No seguir estas instrucciones puede ocasionar la muerte, explosión o incendio.**

### Usted necesitará

- Una ubicación que permita una instalación adecuada del ducto de escape. Consulte "Requisitos de ventilación".
- Un circuito separado de 30 amperios.
- Si está usando un cable de suministro de energía, un contacto con conexión a tierra ubicado a no más de 2 pies (61 cm) de cualquiera de los lados de la secadora. Vea "Requisitos eléctricos".
- Un piso resistente para soportar la secadora con un peso total de 200 lbs (90,7 kgs). Asimismo se debe considerar el peso de otro artefacto que la acompañe.
- Un piso nivelado con un declive máximo de 1" (2,5 cm) debajo de la secadora completa.

No ponga a funcionar su secadora a temperaturas inferiores a 45°F (7°C). A temperaturas inferiores, es posible que la secadora no se apague al final de un ciclo automático. Los tiempos de secado pueden prolongarse.

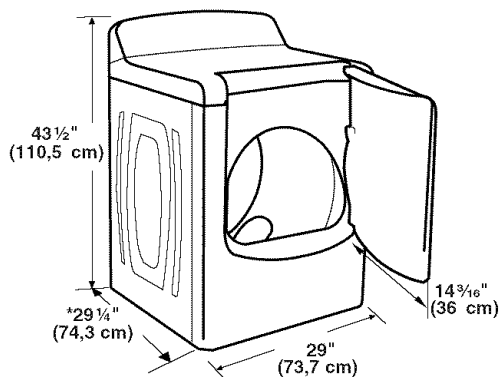
No debe instalarse ni guardarse la secadora en un área en donde pueda estar expuesta al agua y/o a la intemperie.

Verifique los requisitos de los códigos. Algunos códigos limitan, o no permiten, la instalación de la secadora en garajes, clósets, casas rodantes o en dormitorios. Póngase en contacto con el inspector de construcciones de su localidad.

## Espacios de instalación

La ubicación debe ser lo suficientemente grande para poder abrir completamente la puerta de la secadora.

## Dimensiones de la secadora

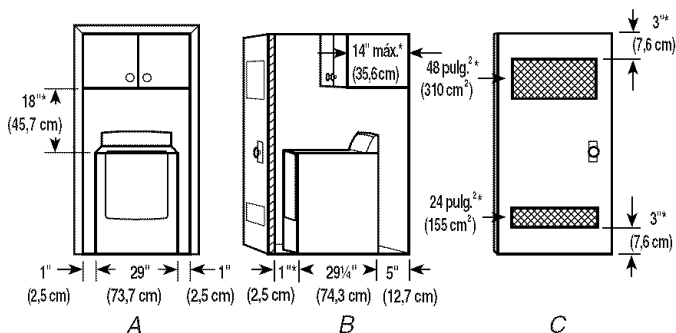


\* La mayoría de las instalaciones requieren un espacio mínimo de 5" (12,7 cm) detrás de la secadora para acomodar el ducto de escape con codo. Vea "Requisitos de ventilación".

## Espacio para la instalación en un lugar empotrado o en un clóset

Se recomiendan las siguientes medidas de espacio para esta secadora. Esta secadora ha sido puesta a prueba para espacios de 0" (0 cm) en los costados y en la parte posterior. El espacio recomendado debe ser considerado por los siguientes motivos:

- Debe considerarse el espacio adicional para facilitar la instalación y el servicio técnico.
- Se podrían necesitar espacios libres adicionales para las molduras de la pared, puerta y piso.
- Se debe considerar agregar espacio adicional en todos los lados de la secadora para reducir la transferencia de ruido.
- Para la instalación en clóset, con una puerta, se requieren aberturas de ventilación mínimas en la parte superior e inferior de la puerta. Se aceptan puertas tipo persianas con aberturas de ventilación equivalentes.
- También se debe considerar espacio adicional para otro electrodoméstico que le acompañe.
- Debe considerarse espacio adicional si va a ventilar la secadora hacia el exterior por la parte posterior izquierda o derecha.



A. Lugar empotrado  
B. Vista lateral - clóset o lugar confinado  
C. Puerta del clóset con orificios de ventilación

\* Espacio necesario

## Requisitos de instalación adicionales para las casas rodantes

Esta secadora es apropiada para instalaciones en casas rodantes. La instalación debe ajustarse al Estándar de seguridad y construcción de casas fabricadas, Título 24 CFR, Parte 3280 (anteriormente conocido como Estándar federal para la seguridad y construcción de casas rodantes, Título 24, HUD Parte 280).

### Las instalaciones en casas rodantes necesitan:

- Artículos de ferretería para sistemas de ventilación de metal que se pueden comprar en su tienda Sears o en el centro de servicio Sears de su localidad.
- Se deben tomar medidas especiales en el caso de casas rodantes para introducir el aire del exterior en la secadora. La abertura (como la de una ventana adyacente) deberá ser por lo menos el doble de tamaño que la abertura de ventilación de la secadora.

## Requisitos eléctricos

### Usted es responsable de

- Ponerse en contacto con un instalador eléctrico calificado.
- Asegurarse de que la conexión eléctrica sea adecuada y de conformidad con el Código Nacional Eléctrico, ANSI/NFPA 70 - última edición y con todos los códigos y ordenanzas locales.

El Código Nacional Eléctrico requiere una conexión de suministro eléctrico de 4 hilos para aquellos hogares construidos después de 1996, para los circuitos de secadora que se hayan reformado después de 1996 y todas las instalaciones de casas rodantes.

Usted puede obtener una copia de todas las normas arriba indicadas en:

National Fire Protection Association, One Batterymarch Park, Quincy, MA 02269.

- Proveer el suministro eléctrico requerido de 3 ó 4 alambres, monofásico, de 120/240 voltios, 60 Hz, CA solamente (o un suministro eléctrico de 3 ó 4 alambres, de 120/208 voltios, si se especifica en la placa indicadora de corriente/de la serie) en un circuito separado de 30 amperios, protegido con fusibles en ambos lados de la línea. Se recomienda un fusible retardador o un cortacircuitos. Conéctela a un circuito derivado individual. No tenga un fusible en el circuito neutro o de conexión a tierra.
- No use un cable eléctrico de extensión.
- Si los códigos lo permiten y se emplea un alambre de conexión a tierra separado, es recomendable que un electricista calificado determine si la trayectoria de conexión a tierra es adecuada.



## Conexión eléctrica

Para instalar su secadora adecuadamente, usted debe determinar el tipo de conexión eléctrica que va a usar y seguir las instrucciones que aquí se proveen para el caso.

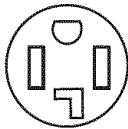
- Si los códigos locales no permiten la conexión de un conductor para conexión a tierra del equipo al alambre neutro, vea la sección "Conexión opcional de 3 hilos".
- Esta secadora ha sido manufacturada lista para ser instalada en una conexión de suministro de energía eléctrica de 3 hilos. El hilo neutro de puesta a tierra está permanentemente conectado al conductor neutral (cable blanco) dentro de la secadora. Si la secadora está instalada con una conexión de suministro eléctrico de 4 hilos, el hilo neutro de puesta a tierra se debe quitar del tornillo de puesta a tierra exterior (tornillo verde) y ajustar debajo del terminal neutral (cable central o blanco) del bloque de terminal. Cuando el hilo neutro de puesta a tierra esté ajustado debajo del terminal neutral (cable central o blanco) del bloque de terminal, el gabinete de la secadora queda aislado del conductor neutral.
- Deberá usarse una conexión con suministro de energía de 4 hilos cuando el aparato esté instalado en una ubicación en la cual esté prohibida la conexión a tierra a través del conductor neutro. Está prohibido hacer la puesta a tierra a través del conductor neutro para (1) las nuevas instalaciones de circuito derivado, (2) casas rodantes, (3) vehículos de recreación y (4) áreas donde los códigos locales prohíben la conexión a tierra a través de conductores neutros.

### Si emplea un cable de suministro eléctrico:

Use un juego aprobado de UL para cable de suministro eléctrico que esté marcado para ser usado en secadoras de ropa. El juego deberá contener:

- Un cable de suministro eléctrico de 30 amperios aprobado de UL, con 120/240 voltios mínimo. El cable deberá ser del tipo SRD o SRDT y deberá tener un largo de por lo menos 4 pies (1,22 m). Los hilos que conectan con la secadora deberán terminar en terminales de anillo o de horquilla con los extremos hacia arriba.
- Un protector de cables aprobado de UL.

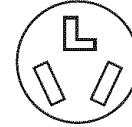
### Si el contacto de pared luce como éste:



Contacto de 4 alambres (14-30R)

Entonces elija un cable de suministro eléctrico de 4 alambres con terminales de anillo o de horquilla y con protector de cables aprobado de UL. El cable de suministro eléctrico de 4 hilos, de por lo menos 4 pies (1,22 m) de largo, deberá tener 4 hilos de cobre de calibre 10 y coincidir con un receptáculo de 4 hilos tipo NEMA 14-30R. El hilo de conexión a tierra (conductor a tierra) puede ser verde o desnudo. El conductor neutro debe ser identificado con una cubierta blanca.

### Si el contacto de pared luce como éste:



Contacto de 3 alambres (10-30R)

Entonces elija un cable de suministro eléctrico de 3 alambres con terminales de anillo o de horquilla y con protector de cables aprobado de UL. El cable de suministro eléctrico de 3 hilos, de por lo menos 4 pies (1,22 m) de largo, deberá tener 3 hilos de cobre de calibre 10 y coincidir con un receptáculo de 3 hilos tipo NEMA 10-30R.

### Si hace la conexión con cableado directo:

El cable de suministro eléctrico debe ser igual al del suministro eléctrico (de 4 alambres o de 3 alambres) y debe ser:

- Cable blindado flexible o cable de cobre forrado no metálico (con alambre puesto a tierra), protegido con un conducto metálico flexible. Todos los alambres conductores de corriente deben estar aislados.
- Alambre de cobre sólido de calibre 10 (no utilice aluminio).
- Por lo menos 5 pies (1,52 m) de largo.

## INSTRUCCIONES PARA LA CONEXIÓN A TIERRA

- Para la conexión de una secadora mediante cable eléctrico conectado a tierra:

Esta secadora debe estar conectada a tierra. En el caso de funcionamiento defectuoso o avería, la conexión a tierra reducirá el riesgo de choque eléctrico al proporcionar una vía de menor resistencia para la corriente eléctrica. Esta secadora usa un cable que cuenta con un conductor para la conexión a tierra del equipo y un enchufe de conexión a tierra. El enchufe debe conectarse en un contacto apropiado, que esté debidamente instalado y conectado a tierra de acuerdo con todos los códigos y ordenanzas locales.

- Para la conexión permanente de una secadora:

Esta secadora debe estar conectada a un sistema de cableado de metal permanente, conectado a tierra, o se debe tender un conducto para la conexión a tierra del equipo con los conductores de circuito y conectado al terminal de tierra del equipo o al conductor de suministro de la secadora.

**ADVERTENCIA:** La conexión indebida del conductor para la conexión a tierra del equipo puede ocasionar un riesgo de choque eléctrico. Verifique con un electricista, representante o personal de servicio técnico calificado para asegurarse de que la conexión a tierra de la secadora sea apropiada. No modifique el enchufe que viene con el cable eléctrico. Si no encaja en el contacto, contrate un electricista calificado para que instale un contacto adecuado.

**GUARDE ESTAS INSTRUCCIONES**

### Cable de suministro eléctrico

#### ⚠ ADVERTENCIA



#### Peligro de Incendio

Use un cable de suministro eléctrico nuevo de 30 amperes que esté en la lista de UL.

Use un protector de cables que esté en la lista de UL.

Desconecte el suministro eléctrico antes de hacer las conexiones eléctricas.

Conecte el alambre neutro (el blanco o el del centro) al terminal central (plateada).

El alambre de tierra (el verde o el no aislado) se debe conectar con el conector verde de tierra.

Conecte los 2 alambres de suministro restantes con las 2 terminales restantes (las doradas).

Apriete firmemente todas las conexiones eléctricas.

No seguir estas instrucciones puede ocasionar la muerte, incendio, o choque eléctrico.

### Cable directo

#### ⚠ ADVERTENCIA



#### Peligro de Incendio

Utilice alambres de cobre sólido de ancho 10.

Use un protector de cables que esté en la lista de UL.

Desconecte el suministro eléctrico antes de hacer las conexiones eléctricas.

Conecte el alambre neutro (el blanco o el del centro) al terminal central (plateada).

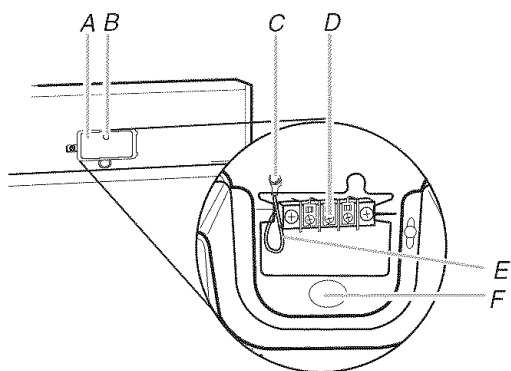
El alambre de tierra (el verde o el no aislado) se debe conectar con el conector verde de tierra.

Conecte los 2 alambres de suministro restantes con las 2 terminales restantes (las doradas).

Apriete firmemente todas las conexiones eléctricas.

No seguir estas instrucciones puede causar la muerte, incendio o choque eléctrico.

1. Desconecte el suministro de energía.
2. Quite el tornillo de sujeción y la cubierta del bloque de terminal.

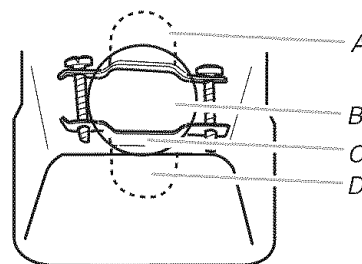


- A. Cubierta del bloque de terminal
- B. Tornillo de sujeción
- C. Tornillo conductor a tierra externo
- D. Tornillo del bloque de terminal de color plateado, del centro
- E. Alambre de conexión a tierra neutro
- F. Orificio debajo de la abertura del bloque de terminal

3. Instale el protector de cables.

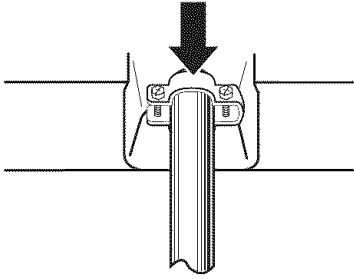
#### Estilo 1: Protector de cables del cable de suministro de energía

- Quite los tornillos de un protector de cables de ¾" (1,9 cm) que esté en la lista de UL (con la marca UL en el protector de cables). Coloque las lengüetas de las dos secciones de la abrazadera en el orificio que está debajo de la abertura del bloque de terminal de manera que una lengüeta esté apuntando hacia arriba y la otra esté apuntando hacia abajo, y sujételas en su lugar. Apriete los tornillos del protector de cables lo suficiente para mantener las dos secciones de la abrazadera juntas.



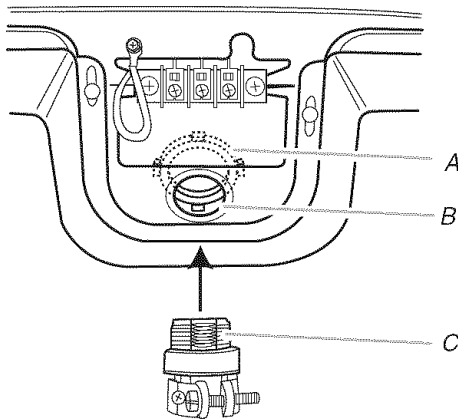
- A. Lengüeta del protector de cables apuntando hacia arriba
- B. Orificio debajo de la abertura del bloque de terminal
- C. Sección de la abrazadera
- D. Lengüeta del protector de cables apuntando hacia abajo

- Haga pasar el cable de suministro de energía a través del protector de cables. Asegúrese de que el aislamiento de cables del cable de suministro de energía esté dentro del protector de cables. El protector de cables deberá encajar bien con el gabinete de la secadora y estar en posición horizontal. No ajuste más los tornillos del protector de cables en este momento.



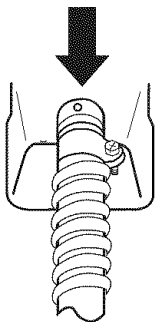
### Estilo 2: Protector de cables para cable directo

- Desatornille el conector de conducto removible y cualquier tornillo del protector de cables de  $\frac{3}{4}$ " (1,9 cm) que esté en la lista de UL (con la marca UL en el protector de cables). Haga pasar la sección roscada del protector de cables a través del orificio que está debajo de la abertura del bloque de terminal. Busque dentro de la abertura del bloque de terminal y atornille el conector de conducto removible sobre las roscas del protector de cables.



A. Conector del conducto removible  
B. Orificio debajo de la abertura del bloque de terminal  
C. Roscas del protector de cables

- Haga pasar el cable directo a través del protector de cables. El protector de cables deberá encajar bien con el gabinete de la secadora y estar en posición horizontal. Apriete el tornillo del protector de cables contra el cable directo.

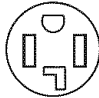
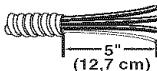

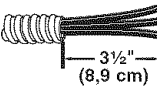


- Ahora termine la instalación siguiendo las instrucciones para el tipo de su conexión eléctrica:

**Alambre de 4 hilos** (se recomienda)

**Alambre de 3 hilos** (si no dispone de alambre de 4 hilos)

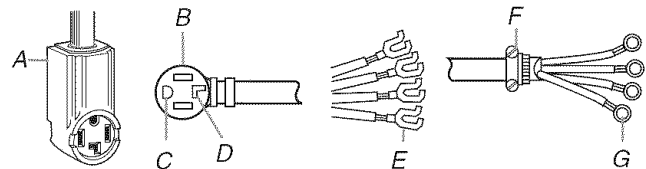
### Opciones para la conexión eléctrica

Si su casa tiene:	Y usted va a conectar con:	Vaya a la sección:
Un contacto de 4 hilos (Tipo NEMA 14-30R) 	Un cable de suministro eléctrico para secadora, aprobado de UL, de 120/240 voltios mínimo y 30 amperios*	Conexión de 4 hilos: Cable de suministro eléctrico
Cable directo de 4 hilos 	Un desconector con fusible o una caja de disyuntor*	Conexión de 4 hilos: Cable directo
Contacto de 3 hilos (Tipo NEMA 10-30R) 	Un cable de suministro eléctrico para secadora, aprobado de UL, de 120/240 voltios mínimo y 30 amperios*	Conexión de 3 hilos: Cable de suministro eléctrico
Cable directo de 3 hilos 	Un desconector con fusible o una caja de disyuntor*	Conexión de 3 hilos: Cable directo

\*Si los códigos locales no permiten la conexión de un conductor de conexión a tierra del gabinete al cable neutro, prosiga a la sección "Conexión opcional de 3 hilos".

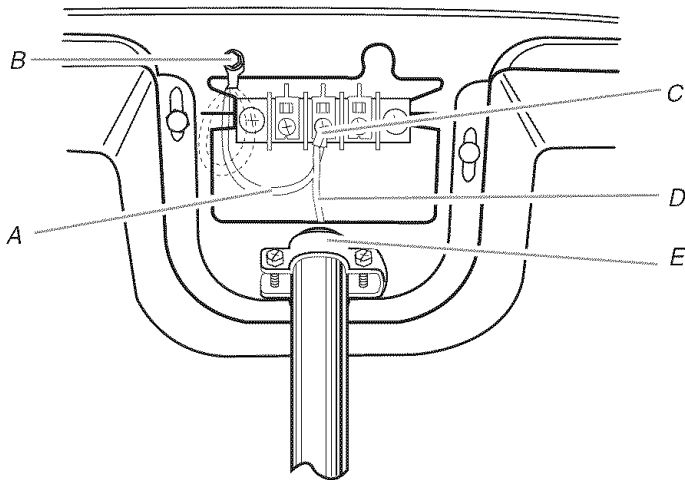
### Conexión de 4 hilos: Cable de suministro eléctrico

**IMPORTANTE:** Se necesita una conexión de alambre de 4 hilos para las casas rodantes y para los casos en que los códigos locales no permitan el uso de conexiones de 3 hilos.



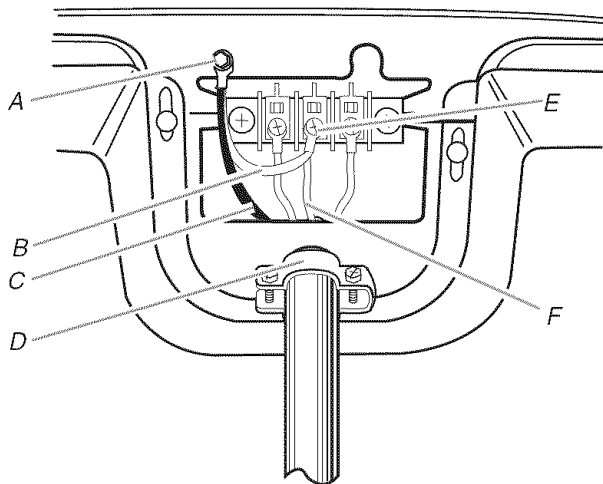
A. Contacto de 4 hilos (tipo NEMA 14-30R)  
B. Enchufe de 4 terminales  
C. Terminal de conexión a tierra  
D. Terminal de conexión a neutro  
E. Terminales de horquilla con los extremos hacia arriba  
F. Protector de cables aprobado de UL, de  $\frac{3}{4}$ " (1,9 cm)  
G. Terminales anulares

1. Saque el tornillo central del bloque de terminal.
2. Saque el hilo de tierra neutro del aparato del tornillo conductor de tierra externo. Conecte el hilo neutro de puesta a tierra y el hilo neutro (hilo blanco o central) del cable de suministro de energía debajo del tornillo central de color plateado del bloque de terminal. Apriete el tornillo.



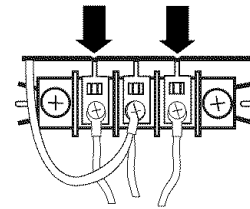
- A. Hilo neutro de puesta a tierra  
 B. Tornillo conductor de tierra externo – La línea punteada ilustra la posición del hilo de tierra NEUTRO antes de moverlo al tornillo central de color plateado del bloque de terminal.  
 C. Tornillo central de color plateado del bloque de terminal  
 D. Hilo neutro (hilo blanco o central)  
 E. Protector de cables de  $\frac{3}{4}$ " (1,9 cm), que esté en la lista de UL

3. Conecte el hilo de tierra (verde o desnudo) del cable de suministro eléctrico al tornillo conductor de tierra externo. Apriete el tornillo.



- A. Tornillo conductor de tierra externo  
 B. Hilo neutro de puesta a tierra  
 C. Hilo de tierra (verde o desnudo) del cable de suministro de energía  
 D. Protector de cables de  $\frac{3}{4}$ " (1,9 cm), que esté en la lista de UL  
 E. Tornillo central de color plateado del bloque de terminal  
 F. Hilo neutro (hilo blanco o central)

4. Conecte los otros hilos a los tornillos exteriores del bloque de terminal. Apriete los tornillos.



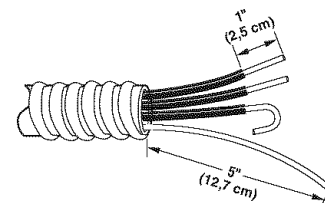
5. Apriete los tornillos del protector de cables.
6. Introduzca la lengüeta de la cubierta del bloque de terminal en la ranura del panel posterior de la secadora. Asegure la cubierta con el tornillo de sujeción.
7. Usted ha completado la conexión eléctrica. Ahora vaya a "Requisitos de ventilación".

#### Conexión de 4 hilos: Cable directo

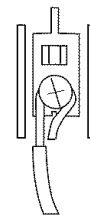
**IMPORTANTE:** Se necesita una conexión de alambre de 4 hilos para las casas rodantes y para los casos en que los códigos locales no permitan el uso de conexiones de 3 hilos.

El cable de conexión directa debe tener 5 pies (1,52 m) extra de largo para poder mover la secadora si fuese necesario.

Pele 5" (12,7 cm) de la cubierta exterior desde el extremo del cable, dejando el hilo de tierra desnudo a 5" (12,7 cm). Corte  $1\frac{1}{2}$ " (3,8 cm) de los 3 hilos restantes. Pele el aislamiento 1" (2,5 cm) hacia atrás. Doble los extremos de los hilos para formar un gancho.

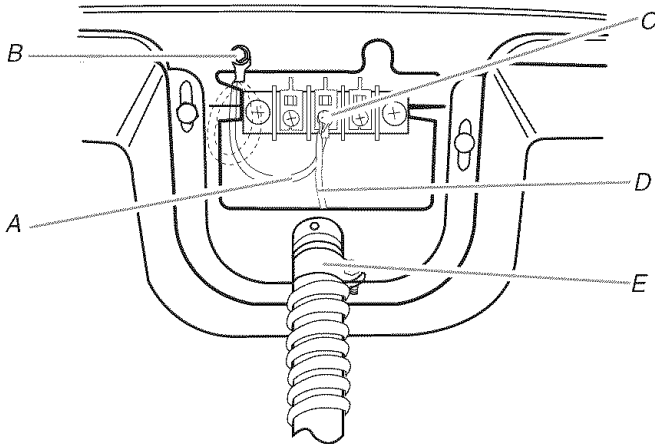


Al conectar el hilo al bloque de terminal, coloque el extremo del hilo en forma de gancho debajo del tornillo del bloque de terminal (con el gancho mirando hacia la derecha). Apriete y junte el extremo en forma de gancho y apriete el tornillo, como se muestra.



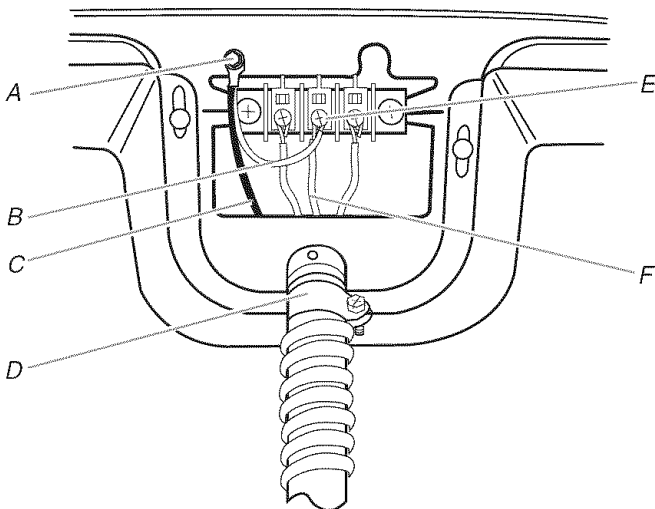
1. Saque el tornillo central de color plateado del bloque de terminal.

2. Saque el hilo de tierra neutro del tornillo conductor de tierra externo. Conecte el hilo neutro de puesta a tierra y coloque el extremo en forma de gancho (gancho mirando hacia la derecha) del hilo neutro (blanco o central) del cable de conexión directa debajo del tornillo central del bloque de terminal. Apriete y junte los extremos en forma de gancho. Apriete el tornillo.



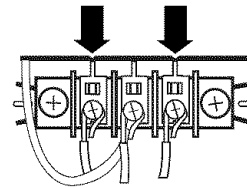
- A. Hilo neutro de puesta a tierra
- B. Tornillo conductor de tierra externo – La línea punteada ilustra la posición del hilo de tierra NEUTRO antes de moverlo al tornillo central de color plateado del bloque de terminal.
- C. Tornillo central de color plateado del bloque de terminal
- D. Hilo neutro (hilo blanco o central)
- E. Protector de cables de 3/4" (1,9 cm), que esté en la lista de UL

3. Conecte el hilo de tierra (verde o desnudo) del cable de suministro eléctrico directo al tornillo del conductor de tierra externo. Apriete el tornillo.



- A. Tornillo conductor de tierra externo
- B. Hilo neutro de puesta a tierra
- C. Hilo de tierra (verde o desnudo) del cable de suministro de energía
- D. Protector de cables de 3/4" (1,9 cm), que esté en la lista de UL
- E. Tornillo central de color plateado del bloque de terminal
- F. Hilo neutro (hilo blanco o central)

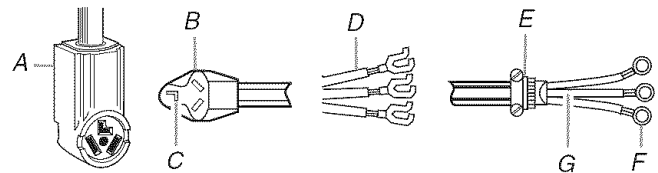
4. Coloque los extremos en forma de gancho de los otros hilos del cable directo debajo de los tornillos exteriores del bloque de terminal (con los ganchos mirando hacia la derecha). Apriete y junte los extremos en forma de gancho. Apriete los tornillos.



5. Apriete los tornillos del protector de cables.
6. Introduzca la lengüeta de la cubierta del bloque de terminal en la ranura del panel posterior de la secadora. Asegure la cubierta con el tornillo de sujeción.
7. Usted ha completado la conexión eléctrica. Ahora vaya a "Requisitos de ventilación".

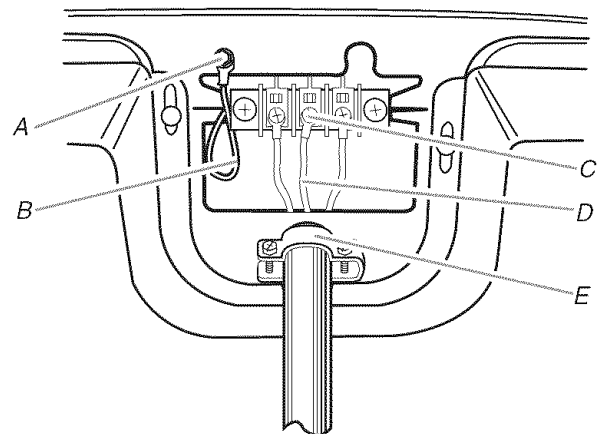
### Conexión de 3 hilos: Cable de suministro eléctrico

Use cuando los códigos locales permitan la conexión del conductor de tierra del gabinete al hilo neutro.



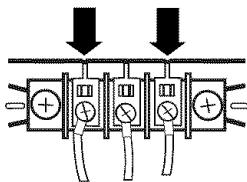
- A. Contacto de 3 hilos (tipo NEMA 10-30R)
- B. Enchufe de 3 hilos
- C. Terminal neutro
- D. Terminales de horquilla con extremos hacia arriba
- E. Protector de cables que esté en la lista de UL de 3/4" (1,9 cm)
- F. Terminales anulares
- G. Hilo neutro (hilo blanco o central)

1. Afloje o saque el tornillo central de color plateado del bloque de terminal.
2. Conecte el hilo neutro (hilo blanco o central) del cable de suministro eléctrico al tornillo central de color plateado del bloque de terminal. Apriete el tornillo.



- A. Tornillo conductor de tierra externo
- B. Hilo neutro de puesta a tierra
- C. Tornillo central de color plateado del bloque de terminal
- D. Hilo neutro (hilo blanco o central)
- E. Protector de cables que esté en la lista de UL de 3/4" (1,9 cm)

3. Conecte los otros hilos a los tornillos exteriores del bloque de terminal. Apriete los tornillos.



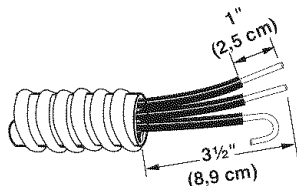
4. Apriete los tornillos del protector de cables.
5. Introduzca la lengüeta de la cubierta del bloque de terminal en la ranura del panel posterior de la secadora. Asegure la cubierta con el tornillo de sujeción.
6. Usted ha completado la conexión eléctrica. Ahora vaya a "Requisitos de ventilación".

### Conexión de 3 hilos: Cable directo

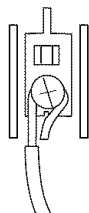
#### Use cuando los códigos locales permitan la conexión del conductor de tierra del gabinete al hilo neutro.

El cable de conexión directa debe tener 5 pies (1,52 m) extra de largo para poder mover la secadora si fuese necesario.

Pele 3 1/2" (8,9 cm) de la cubierta exterior desde el extremo del cable. Pele el aislamiento 1" (2,5 cm) hacia atrás. Si usa un cable trifilar con hilo de tierra, corte el hilo desnudo para que quede nivelado con la cubierta exterior. Doble los extremos de los hilos para formar un gancho.

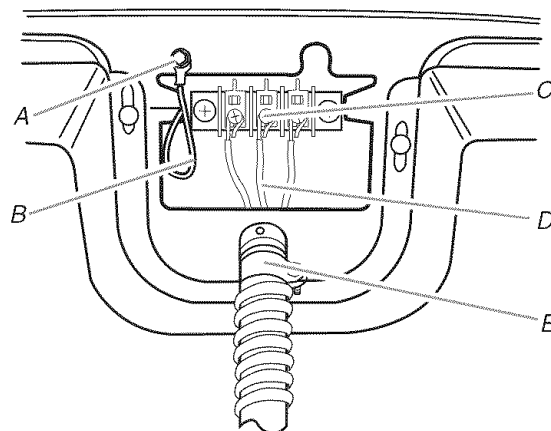


Al conectar el hilo al bloque de terminal, coloque el extremo del hilo en forma de gancho debajo del tornillo del bloque de terminal (con el gancho mirando hacia la derecha). Apriete y junte el extremo en forma de gancho y apriete el tornillo, como se muestra.



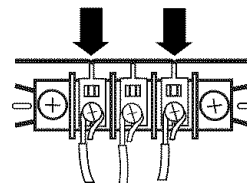
1. Afloje o saque el tornillo central de color plateado del bloque de terminal.

2. Coloque el extremo en forma de gancho del hilo neutro (hilo blanco o central) del cable directo debajo del tornillo central del bloque de terminal (con el gancho mirando hacia la derecha). Apriete y junte el extremo en forma de gancho. Apriete el tornillo.



- A. Tornillo conductor de tierra externo
- B. Hilo neutro de puesta a tierra
- C. Tornillo central de color plateado del bloque de terminal
- D. Hilo neutro (hilo blanco o central)
- E. Protector de cables que esté en la lista de UL de 3/4" (1,9 cm)

3. Coloque los extremos en forma de gancho de los otros hilos del cable directo debajo de los tornillos exteriores del bloque de terminal (con los ganchos mirando hacia la derecha). Apriete y junte los extremos en forma de gancho. Apriete los tornillos.

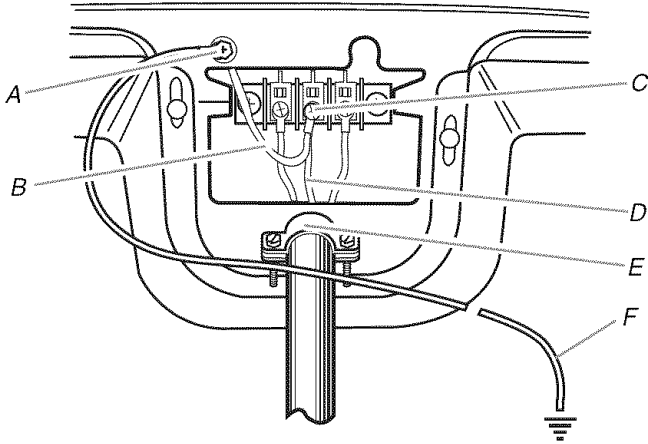


4. Apriete el tornillo del protector de cables.
5. Introduzca la lengüeta de la cubierta del bloque de terminal en la ranura del panel posterior de la secadora. Asegure la cubierta con el tornillo de sujeción.
6. Usted ha completado la conexión eléctrica. Ahora vaya a "Requisitos de ventilación".

## Conexión opcional de 3 hilos

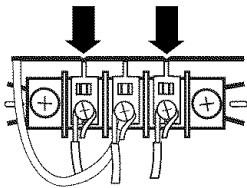
Use para cable directo o cable de suministro eléctrico donde los códigos locales no permitan la conexión del conductor de tierra del gabinete con el hilo neutro.

1. Saque el tornillo central de color plateado del bloque de terminal.
2. Saque el hilo de tierra neutro del tornillo conductor de tierra externo. Conecte el hilo neutro de tierra y el hilo neutro (hilo blanco o central) del cordón/cable de suministro eléctrico debajo del tornillo central de color plateado del bloque de terminal. Apriete el tornillo.



- A. Tornillo conductor de tierra externo  
B. Hilo neutro de puesta a tierra  
C. Tornillo central de color plateado del bloque de terminal  
D. Hilo neutro (hilo blanco o central)  
E. Protector de cables de 3/4" (1,9 cm), que esté en la lista de UL  
F. Camino de puesta a tierra determinado por un electricista capacitado

3. Conecte los otros hilos a los tornillos exteriores del bloque de terminal. Apriete los tornillos.



4. Apriete los tornillos del protector de cables.
5. Introduzca la lengüeta de la cubierta del bloque de terminal en la ranura del panel posterior de la secadora. Asegure la cubierta con el tornillo de sujeción.
6. Conecte un hilo de tierra de cobre separado desde el tornillo conductor de tierra externo a tierra adecuada.

## Requisitos de ventilación

### ! ADVERTENCIA



#### Peligro de Incendio

Use un ducto de escape de metal pesado.

No use un ducto de escape de plástico.

No use un ducto de escape de aluminio.

No seguir estas instrucciones puede ocasionar la muerte o incendio.

**ADVERTENCIA:** Para reducir el riesgo de incendio, esta secadora DEBE VENTILARSE HACIA EL EXTERIOR.

**IMPORTANTE:** Observe todas las normas y ordenanzas vigentes.

El ducto de escape de la secadora no debe conectarse en ningún ducto de escape de gas, chimenea, pared, techo o el espacio oculto de un edificio.

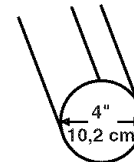
#### Si usa un sistema de ventilación existente

- Limpie la pelusa que está en toda la longitud del sistema y asegúrese de que la capota de ventilación no esté obstruida con pelusa.
- Reemplace cualquier ducto de escape de plástico o de hoja de metal por uno de metal pesado rígido o flexible.
- Vuelva a consultar el cuadro del sistema de ventilación. Modifique el sistema de ventilación existente si fuera necesario para lograr el mejor rendimiento de la secadora.

#### Si este es un nuevo sistema de ventilación

##### Material de ventilación

- Use un ducto de escape de metal pesado. No use ducto de escape de plástico o de hoja de metal.
- Se debe usar un ducto de escape de metal pesado de 4" (10,2 cm) y abrazaderas. Los productos de ventilación DURASAFE™ son recomendables.



Ducto de escape de metal pesado de 4" (10,2 cm)

Los productos de ventilación DURASAFE™ pueden adquirirse en su distribuidor. Para obtener más información, sírvase llamar al 1-800-4-MY-HOME® (1-800-469-4663) o visite nuestro sitio en la internet en [www.sears.com](http://www.sears.com).

### Ducto de escape de metal rígido

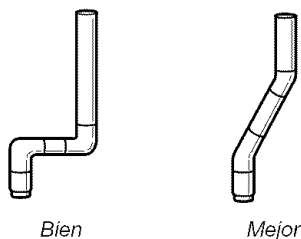
- Para un óptimo rendimiento de secado, se recomiendan ductos de escape de metal rígido.
- Se recomienda el ducto de escape de metal rígido para evitar que se aplaste o se tuerza.

### Ducto de escape de metal flexible

- Los ductos de escape de metal flexible son aceptables únicamente si se puede acceder a los mismos para limpiarlos.
- El ducto de escape de metal flexible debe extenderse y sostenerse por completo cuando la secadora está en su ubicación final.
- Quite el exceso del ducto de metal flexible para evitar que se doble y se tuerza, lo cual podría dar lugar a una reducción del flujo de aire y a un rendimiento insuficiente.
- No instale el ducto de escape de metal flexible en paredes, techos o pisos encerrados.

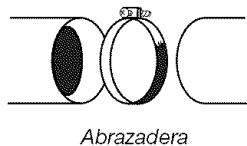
### Codos

Los codos de 45° proveen un mejor flujo de aire que los codos de 90°.



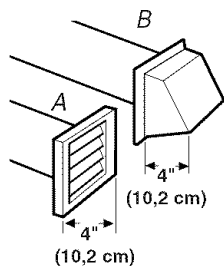
### Abrazaderas

- Utilice abrazaderas para sellar todas las juntas.
- No debe conectarse ni asegurarse el ducto de escape con tornillos ni con ningún otro dispositivo que se extienda hacia el interior de dicho ducto. No utilice cinta adhesiva para conductos.



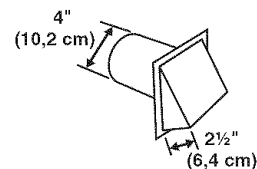
### Respiradero

Los estilos recomendados de capotas de ventilación se ilustran aquí.



A. Estilo de capota con ventilación tipo persiana  
B. Estilo de capota con ventilación tipo caja

El estilo de capota de ventilación angular (que se ilustra aquí) es aceptable.



- Una capota de ventilación debe tapan el ducto de escape para evitar el ingreso de roedores e insectos a la casa.
- La capota de ventilación debe estar por lo menos a 12" (30,5 cm) de distancia del piso o de cualquier objeto que pudiese estar en el trayecto del ducto de escape (como flores, rocas o arbustos, limite de nieve, etc).
- No use capotas de ventilación con pestillos magnéticos.

**La ventilación inadecuada puede ocasionar la acumulación de humedad y pelusa en la casa, lo cual puede dar como resultado:**

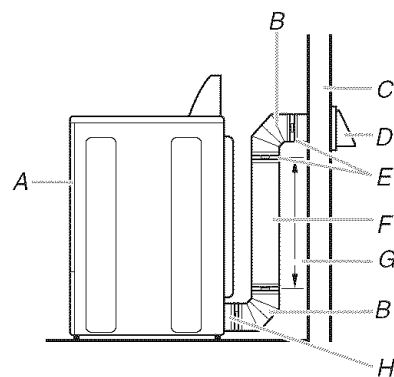
- Daños de humedad en la carpintería, muebles, pintura, empapelado, alfombras, etc.
- Problemas en la limpieza de la casa y de salud.

## Planificación del sistema de ventilación

### Seleccione su tipo de instalación de escape

#### Instalaciones recomendadas de escape

Las instalaciones típicas tienen la ventilación en la parte posterior de la secadora. Otras instalaciones son posibles.



A. Secadora  
B. Codo  
C. Pared  
D. Capota de ventilación  
E. Abrazaderas  
F. Ducto de metal rígido o de metal flexible  
G. Longitud necesaria del ducto de escape para conectar los codos  
H. Salida de ventilación



## Instalaciones opcionales de escape

Los sistemas de ventilación vienen en una amplia gama. Seleccione el tipo más apropiado para su instalación.

# ADVERTENCIA



### Peligro de Incendio

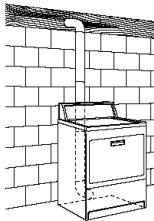
Cubra el orificio de escape no usado con el juego siguiente:

8212503

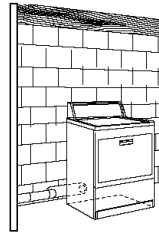
Comuníquese con su distribuidor local.

No seguir estas instrucciones puede ocasionar la muerte, incendio, choque eléctrico, o lesiones graves.

Esta secadora puede convertirse para ventilarse al exterior a través de la parte inferior. Si lo prefiere, póngase en contacto con su distribuidor local para hacer convertir su secadora. Esta secadora también puede ventilarse al exterior por su parte posterior derecha o izquierda. Se necesitan juegos opcionales para este tipo de instalaciones de ventilación. Consulte las instrucciones del fabricante para ver las instrucciones de instalación del juego.



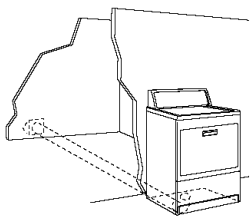
A



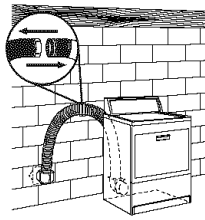
B

A. Instalación estándar con ventilación en la parte posterior y conexiones indirectas

B. Instalación de ventilación en la parte posterior derecha o izquierda



C



D

C. Instalación con ventilación en la parte inferior

D. Instalación en la parte superior (también está disponible con un codo de desviación)

**NOTA:** Se pueden adquirir los siguientes juegos para instalaciones. Para más información, por favor llame al 1-800-4-MY-HOME® (1-800-469-4663).

- Instalación de ventilación en la parte posterior derecha o izquierda:

Pieza número 8212504

- Instalación con ventilación en la parte inferior:

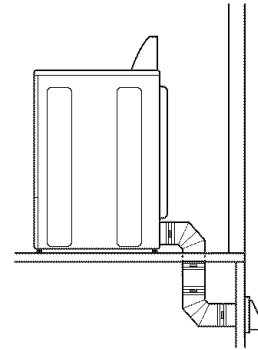
Pieza número 8212503

- Instalación en la parte superior:

Pieza número 26-49900

## Previsiones especiales para las instalaciones en casas rodantes

El ducto de escape deberá sujetarse firmemente en un lugar no inflamable de la estructura de la casa rodante y no debe terminar debajo de la casa rodante. El ducto de escape debe terminar en el exterior.



### Determinación de la vía del ducto de escape

- Seleccione la vía que proporcione el trayecto más recto y directo al exterior.
- Planifique la instalación a fin de usar el menor número posible de codos y vueltas.
- Cuando use los codos o haga vueltas, deje todo el espacio que sea posible.
- Doble el ducto gradualmente para evitar torceduras.
- Use la menor cantidad posible de vueltas de 90°.

### Determinación de la longitud del ducto de escape y de los codos necesarios para obtener un óptimo rendimiento de secado

- Use el cuadro del sistema de ventilación a continuación para determinar el tipo de material para ducto y la combinación de capota aceptable a usar.

**NOTA:** No use tendidos de ducto de escape más largos que los especificados en el cuadro del sistema de ventilación. Los sistemas de ventilación más largos que los especificados:

- Acortarán la vida de la secadora.
- Reducirán el rendimiento, dando lugar a tiempos de secado más largos y un aumento en el consumo de energía.

El cuadro del sistema de ventilación indica los requisitos de ventilación que le ayudarán a alcanzar el mejor rendimiento de secado.

### Cuadro del sistema de ventilación

**NOTA:** Para el funcionamiento del ducto de escape inferior, deberá considerarse como si fueran dos codos. Para determinar la longitud máxima del ducto de escape, agregue dos codos al cuadro.

**NOTA:** Para el funcionamiento del ducto de escape posterior a ambos lados de la secadora, deberá considerarse como si fuera un codo. Para determinar la longitud máxima del ducto de escape, agregue un codo al cuadro.

No. de vueltas de 90° o codos	Tipo de ducto	Capotas de ventilación de caja o tipo persiana	Capotas angulares
0	<b>Metal rígido</b>	64 pies (20 m)	58 pies (17,7 m)
	<b>Metal flexible</b>	36 pies (11 m)	28 pies (8,5 m)
1	<b>Metal rígido</b>	54 pies (16,5 m)	48 pies (14,6 m)
	<b>Metal flexible</b>	31 pies (9,4 m)	23 pies (7 m)
2	<b>Metal rígido</b>	44 pies (13,4 m)	38 pies (11,6 m)
	<b>Metal flexible</b>	27 pies (8,2 m)	19 pies (5,8 m)
3	<b>Metal rígido</b>	35 pies (10,7 m)	29 pies (8,8 m)
	<b>Metal flexible</b>	25 pies (7,6 m)	17 pies (5,2 m)
4	<b>Metal rígido</b>	27 pies (8,2 m)	21 pies (6,4 m)
	<b>Metal flexible</b>	23 pies (7 m)	15 pies (4,6 m)

### Instalación del sistema de ventilación

1. Instale la capota de ventilación. Emplee una masilla de calafateo para sellar la abertura de la pared externa alrededor de la capota de ventilación.
2. Conecte el ducto de escape a la capota de ventilación. El ducto de escape debe encajar dentro de la capota de ventilación. Asegure el ducto de escape a la capota de ventilación con una abrazadera de 4" (10,2 cm).
3. Extienda el ducto de escape a la ubicación de la secadora. Use la trayectoria más recta posible. Vea "Determinación de la vía del ducto de escape" en "Planificación del sistema de ventilación". Evite giros de 90°. Use abrazaderas para sellar todas las juntas. No use cinta adhesiva para conductos, tornillos ni otros dispositivos de fijación que se extiendan dentro del ducto de escape, para fijar el mismo.

### Instalación de las patas niveladoras

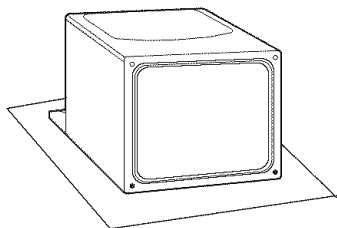
## ! ADVERTENCIA

### Peligro de Peso Excesivo

Use dos o más personas para mover e instalar la secadora.

No seguir esta instrucción puede ocasionar una lesión en la espalda u otro tipo de lesiones.

1. Para proteger el piso, use un pedazo de cartón grande y plano del embalaje de la secadora. Coloque el cartón debajo de todo el borde posterior de la secadora.
2. Sujete con firmeza el cuerpo de la secadora (no la parte superior o el panel de la consola). Coloque la secadora cuidadosamente sobre el cartón. Vea la ilustración.



3. Examine las patas niveladoras. Localice la marca en forma de diamante.



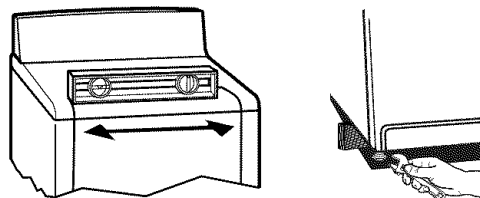
4. Atornille con la mano las patas en los orificios de las patas. Use una llave de tuercas para terminar de atornillar las patas hasta que la marca en forma de diamante no quede visible.
5. Coloque un esquinale de cartón del empaque de la secadora debajo de cada una de las 2 esquinas posteriores de la secadora. Ponga la secadora de pie. Deslice la secadora sobre los postes esquinales hasta que quede cerca de su ubicación final. Deje suficiente espacio para conectar el ducto de escape.

### Conexión del ducto de escape

1. Usando una abrazadera de 4" (10,2 cm), conecte el ducto de escape a la salida de aire de la secadora. Si se conecta a un ducto de escape existente, asegúrese de que el mismo esté limpio. El ducto de escape de la secadora debe encajar sobre la salida de aire de la secadora y dentro de la capota de ventilación. Cerciórese de que el ducto de escape esté asegurado a la capota de ventilación con una abrazadera de 4" (10,2 cm).
2. Mueva la secadora a su posición final. No aplaste ni retuerza el ducto de escape.
3. (En modelos a gas) Asegúrese de que no hayan torceduras en la línea de gas flexible.
4. Una vez que la conexión del ducto de escape esté lista, quite los esquinales y el cartón.

### Nivelación de la secadora

Revise la nivelación de la secadora. Verifique primero de lado a lado y luego del frente hacia atrás.



Si la secadora no está nivelada, apunte la secadora, usando un bloque de madera. Use una llave de tuercas para regular las patas hacia arriba o hacia abajo y verifique nuevamente si la secadora está nivelada.

### Cómo invertir el cierre de la puerta

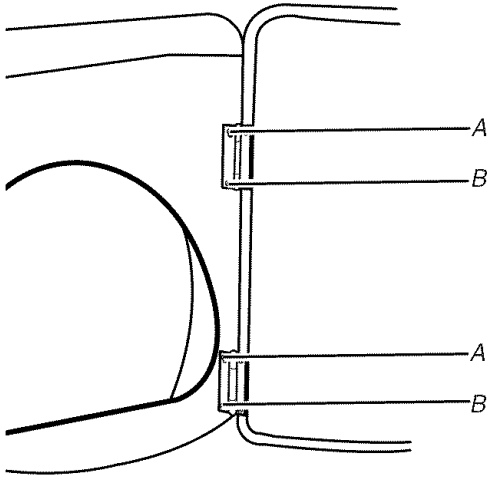
Usted puede invertir el cierre de la puerta de la apertura a la derecha a la apertura a la izquierda, si lo desea.

1. Coloque una toalla o un paño suave en la parte superior de la secadora o de la superficie de trabajo, para proteger la superficie.

### Cómo quitar el ensamblaje de la puerta

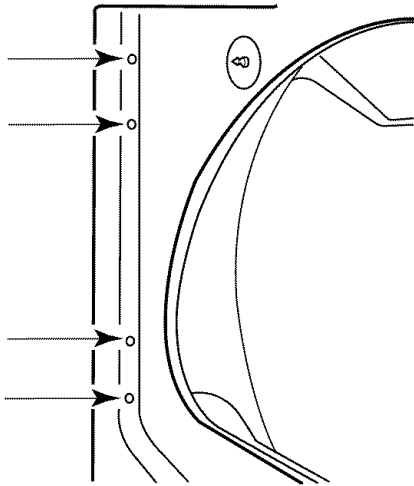
1. Abra la puerta de la secadora.
2. Quite el tornillo inferior de cada una de las 2 bisagras que unen la puerta de la secadora al panel frontal de la secadora.

- Afloje el tornillo superior de cada una de las 2 bisagras en el paso 2.



A. Afloje estos tornillos.  
B. Saque estos tornillos.

- Quite la puerta de la secadora y las bisagras levantando la puerta. Coloque la puerta sobre una superficie plana y protegida con la parte interior de la puerta mirando hacia arriba. Quite los 2 tornillos flojos restantes del panel frontal de la secadora.
- Quite los 4 tapones de plástico ubicados fuera de la abertura de la puerta de la secadora.

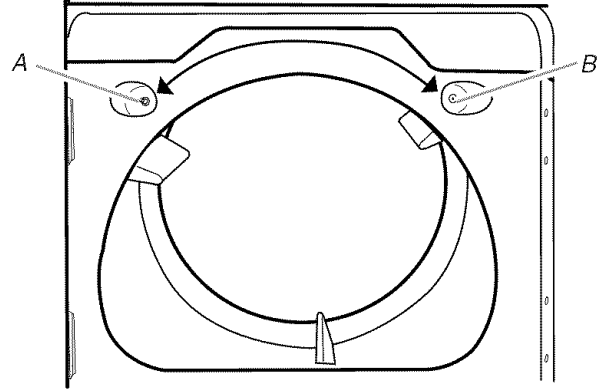


- Instale los 4 tapones de plástico en los orificios de los tornillos de la secadora que quedaron cuando se quitaron las bisagras en el paso 4.

#### Cómo invertir el tope

- Quite el tope de la puerta de la abertura de la puerta de la secadora.

- Quite el tornillo de adorno del lado opuesto del tope de la puerta.



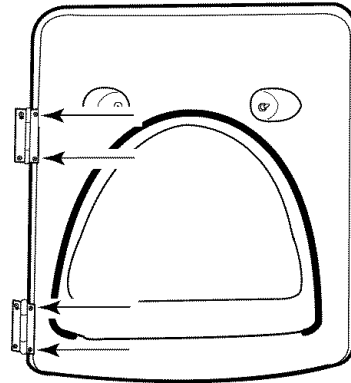
A. Tope de la puerta  
B. Tornillo de adorno

- Vuelva a instalar el tope de la puerta y el tornillo de adorno en el lado opuesto de la abertura de la puerta de la secadora de donde se quitaron.

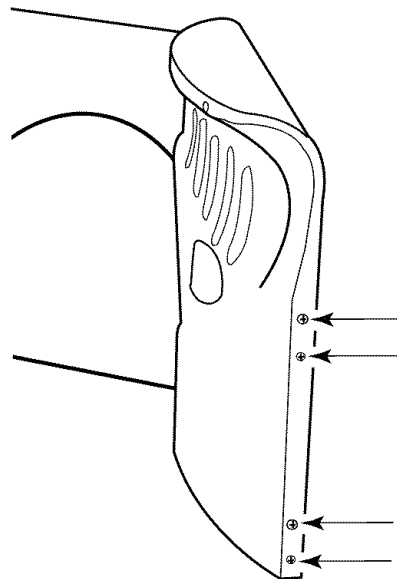
**NOTA:** El tope de la puerta y los tapones deben estar del mismo lado de la abertura de la puerta de la secadora.

#### Vuelva a instalar la puerta

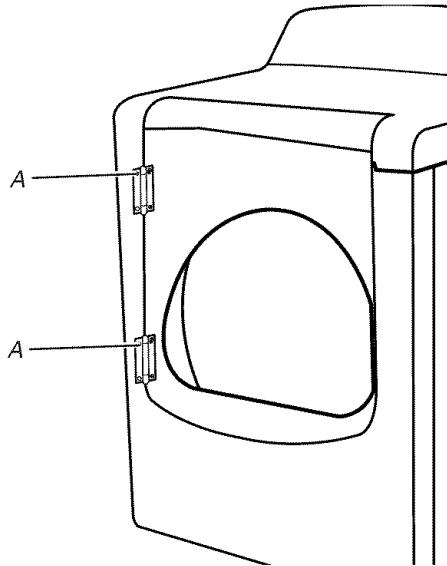
- Quite los 4 tornillos y las 2 bisagras de la puerta de la secadora.
- Vuelva a colocar los 4 tornillos en los mismos orificios.



- Quite los 4 tornillos del lado opuesto de la puerta.

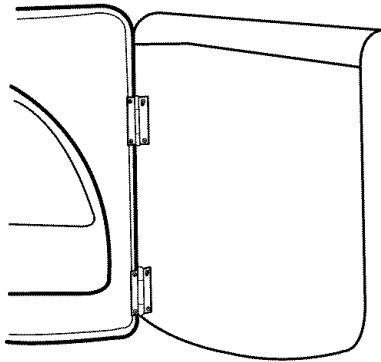


4. Instale las 2 bisagras en el panel frontal de la secadora usando 4 tornillos. Utilice el lado sin ranuras para ajustar la bisagra al panel frontal.
5. Coloque los tornillos en los orificios superiores en ambas bisagras en la puerta. No apriete los tornillos. Deje aproximadamente ¼" (5 mm) de tornillo expuesto.



A. Instale estos tornillos primero.

6. Cuelgue la puerta colocando las cabezas de tornillo en los orificios superiores con ranuras de las bisagras y deslícela hacia abajo. Alinee los orificios de tornillo inferiores en la bisagra y la puerta. Instale los dos tornillos inferiores. Apriete todos los tornillos de las bisagras.



7. Cierre la puerta para enganchar el tope.

## Complete la instalación

1. Revise para cerciorarse de que todas las piezas estén instaladas. Si hay alguna pieza extra, vuelva a revisar todos los pasos para ver cuál se omitió.
2. Verifique si tiene todas las herramientas.
3. Deshágase de todos los materiales de embalaje o recíclelos.
4. Revise la ubicación final de la secadora. Asegúrese de que el ducto de escape no esté aplastado o retorcido.
5. Verifique si la secadora está nivelada. Vea "Nivelación de la secadora".
6. Para una instalación con cable de suministro de energía, enchufe en un contacto. Para una instalación con cableado directo, encienda el suministro de energía.
7. Quite la película protectora o la cinta adhesiva que haya quedado en la secadora.  
**NOTA:** Los modelos con puerta de vidrio tienen una película protectora en la ventana, la cual debe quitarse.
8. Lea "Uso de la secadora".
9. Limpie el interior del tambor de la secadora meticulosamente con un paño húmedo para quitar residuos de polvo.
10. Pruebe el funcionamiento de la secadora seleccionando un ciclo de secado programado (Timed Dry) con calor y ponga la secadora en marcha. Para esta prueba no seleccione el modificador de sólo aire (Air Only).

### Si la secadora no funciona, revise lo siguiente:

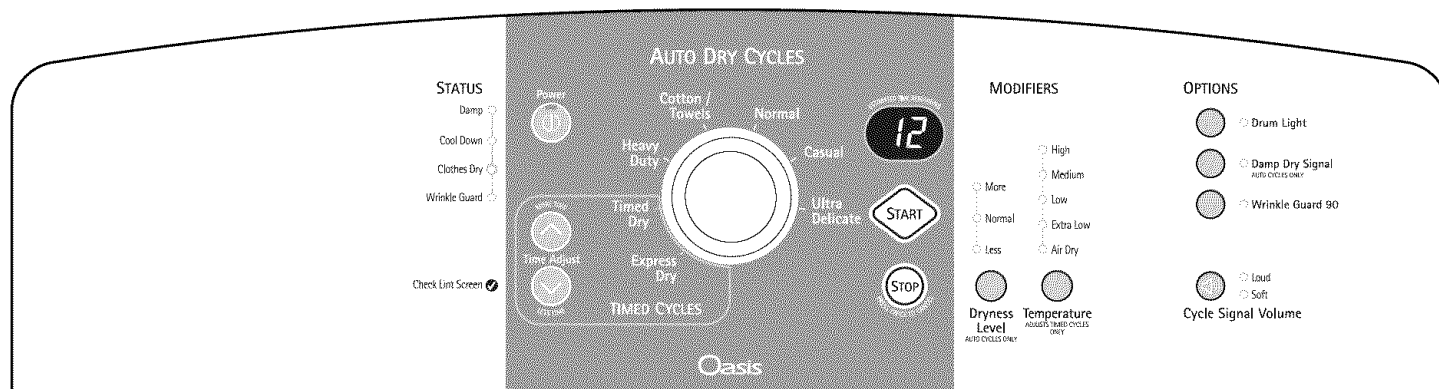
- Que los controles estén fijados en una posición de funcionamiento u "On" (encendido).
  - Que se ha presionado con firmeza el botón de puesta en marcha.
  - Que la secadora está enchufada en un contacto y/o el suministro de energía eléctrica está encendido.
  - Que el fusible de la casa esté intacto y ajustado, o que no se haya disparado el cortacircuitos.
  - Que la puerta de la secadora esté cerrada.
11. Después de que la secadora haya estado funcionando durante 5 minutos, abra la puerta y fíjese si está caliente. Si siente calor, cancele el ciclo y cierre la puerta.

### Si no está caliente, apague la secadora y revise lo siguiente:

- Posiblemente hayan 2 fusibles o disyuntores para la secadora. Revise para asegurarse de que ambos fusibles estén intactos y ajustados, o que ambos disyuntores no se hayan disparado. Si después de esto todavía no calienta, póngase en contacto con un técnico competente.

**NOTA:** Cuando caliente la secadora por primera vez quizás sienta un olor a quemado. Este olor es común cuando se usa por primera vez el elemento de calefacción. El olor desaparecerá.

# USO DE LA SECADORA



## Puesta en marcha de la secadora

### ⚠ ADVERTENCIA



#### Peligro de Explosión

Mantenga los materiales y vapores inflamables, tales como la gasolina, alejados de la secadora.

No seque ningún artículo que haya tenido alguna vez cualquier sustancia inflamable (aún después de lavarlo).

No seguir estas instrucciones puede ocasionar la muerte, explosión o incendio.

### ⚠ ADVERTENCIA



#### Peligro de Incendio

Ninguna lavadora puede eliminar completamente el aceite.

No seque ningún artículo que haya tenido alguna vez cualquier tipo de aceite (incluyendo los aceites de cocina).

Los artículos que contengan espuma, hule o plástico deben secarse en un tendedero o usando un Ciclo de Aire.

No seguir estas instrucciones puede ocasionar la muerte o incendio.

**ADVERTENCIA:** A fin de reducir el riesgo de incendio, de choque eléctrico o de daños personales, lea las INSTRUCCIONES IMPORTANTES DE SEGURIDAD antes de operar el aparato.

Este folleto cubre varios modelos diferentes. Es posible que su secadora no tenga todos los ciclos y las características descritos.

Siga estos pasos básicos para poner su secadora en marcha. Por favor consulte las secciones específicas de este manual para obtener información más detallada.

1. Limpie el filtro de pelusa antes de cada carga. Vea "Limpieza del filtro de pelusa".
2. Coloque la ropa en la secadora y cierre la puerta.
3. Presione el botón de suministro de energía (POWER).
4. Gire la perilla del selector de ciclos hacia el ciclo deseado. Los ajustes prefijados para los ciclos de secado automático o para los ciclos programados se iluminarán. El tiempo estimado (ciclos de secado automático) o real (programados) del ciclo (en minutos) aparecerá en la pantalla.

**NOTA:** Cuando se selecciona un ciclo de secado automático aparece en la pantalla un tiempo prefijado. Durante los primeros minutos del proceso de secado, el tiempo de secado podrá variar automáticamente del tiempo prefijado de acuerdo con el tamaño de la carga y el tipo de tela. Hacia el final del proceso de secado, el tiempo estimado de la pantalla se ajustará nuevamente, mostrando el tiempo final de secado.

#### Para usar un ciclo de secado automático

- Presione el botón de suministro de energía (POWER).
- Seleccione un ciclo de secado automático (Auto Dry Cycle).

- Seleccione Nivel de secado (DRYNESS LEVEL) para regular el nivel de sequedad que usted desea para su ropa. A medida que avanza el ciclo, el control detecta el nivel de sequedad de la carga y regula automáticamente el tiempo según el nivel de sequedad seleccionado.

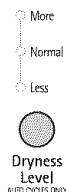
El ajuste de sequedad prefijado es Normal cuando se selecciona un ciclo de secado automático. Puede seleccionar un nivel de sequedad diferente según la carga, presionando Nivel de sequedad (DRYNESS LEVEL) y eligiendo Más (More), Normal o Menos (Less). Al seleccionar Más (More), Normal o Menos (Less) se ajusta automáticamente el nivel de sequedad, en el cual se apagará la secadora. Una vez que se haya fijado el nivel de sequedad, no podrá cambiarse si no se detiene el ciclo.

- Seleccione las Opciones deseadas.

#### Para hacer cambios durante un ciclo de secado automático:

- Presione Parada (STOP).
- Regule el nivel de secado.

**NOTA:** Las selecciones de Nivel de secado (Dryness Level) se pueden hacer únicamente con los ciclos de secado automático.

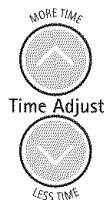


Los ciclos de secado automático (Auto Dry) eliminan el cálculo para el tiempo de secado y mejoran el cuidado de la tela. El tiempo que aparece en la pantalla corresponde al tiempo estimado que le falta al ciclo.

#### Para usar un ciclo programado

- Seleccione un ciclo programado (Timed cycle).
- Presione los botones de ajuste de tiempo (TIME ADJUST) Más tiempo (MORE TIME) o Menos tiempo (LESS TIME) hasta que el tiempo de secado deseado aparezca en la pantalla. Toque MORE TIME o LESS TIME una vez y el tiempo cambiará en intervalos de 1 minuto. Presione y sostenga MORE TIME o LESS TIME y el tiempo cambiará en intervalos de 5 minutos.

**NOTA:** Las características de ajuste de tiempo (Time Adjust) pueden ser usadas sólo con ciclos programados.



- Presione Temperatura (TEMPERATURE) hasta que la temperatura deseada se ilumine.

**NOTA:** Durante un ciclo programado (Timed cycle), puede cambiar los ajustes de tiempo (Time), temperatura (Temperature), protección antiarrugas (WRINKLE GUARD®) y la señal de ciclo (Cycle Signal).

**NOTA:** La característica de temperatura puede usarse solamente con los ciclos programados.

- (PASO OPCIONAL) Si lo desea, seleccione Opciones (OPTIONS). Para obtener más detalles, vea "Opciones".
- (PASO OPCIONAL) Si lo desea, presione la señal de ciclo (CYCLE SIGNAL). Sonará una señal para avisarle cuando un ciclo ha terminado. Para obtener más detalles, vea "Señal de ciclo".
- Presione puesta en marcha (START). Cerciérese de que la puerta esté cerrada.
  - Si no presiona puesta en marcha dentro de los 5 minutos de haber seleccionado el ciclo, la secadora se apaga automáticamente.
  - Si desea terminar el ciclo de secado después de presionar puesta en marcha, presione Parada (STOP) dos veces.

## Detención o reanudación de la marcha

### Para hacer una pausa de la secadora en cualquier momento

Abra la puerta u oprima STOP una vez. Presione STOP dos veces para cancelar un ciclo.

### Para reanudar la marcha de la secadora

Cierre la puerta. Presione y sostenga START hasta que la secadora inicie la marcha.

**NOTA:** El secado continuará desde la etapa en que se interrumpió el ciclo si usted cierra la puerta y presiona puesta en marcha dentro de los 5 minutos siguientes. Si se interrumpe el ciclo durante más de 5 minutos, la secadora se apagará. Seleccione nuevos ajustes de ciclo antes de volver a poner la secadora en marcha.

## Sugerencias de ciclos y secado

Seleccione el ciclo y el nivel de secado o la temperatura correctos para su carga. Si está en marcha un ciclo de secado automático (Auto Dry Cycle) la pantalla muestra el tiempo estimado del ciclo, que la secadora determina al detectar automáticamente el nivel de sequedad de la carga. Si está funcionando un ciclo programado (Timed Cycle), la pantalla muestra el número exacto de minutos restantes en el ciclo.

El enfriamiento (Cool Down) hace rotar la ropa sin calor durante los últimos minutos de todos los ciclos. El enfriamiento hace que las prendas se puedan manejar con más facilidad y reduce la formación de arrugas. La duración del enfriamiento depende del tamaño de la carga y el nivel de sequedad.

### Sugerencias de secado

- Siga las instrucciones de cuidado de la etiqueta cuando estén disponibles.
- Si desea, agregue una hoja de suavizante de telas. Siga las instrucciones del paquete.
- Quite la carga de la secadora tan pronto se detenga la rotación para reducir la formación de arrugas. Esto es de especial importancia para los tejidos de planchado permanente, de punto y de fibras sintéticas.
- Evite el secar la ropa de trabajo pesada junto con telas más livianas. Esto podría ocasionar un secado excesivo de las telas más livianas, dando lugar a un mayor encogimiento o formación de arrugas de las mismas.

## Sugerencias de ciclos

- Seque la mayoría de las cargas usando los ajustes prefijados de ciclos.
- Consulte el cuadro de Ajustes prefijados automáticos o programados (en la sección "Ciclos") a fin de obtener una guía para el secado de diversas cargas de ropa.
- La temperatura de secado y el nivel de secado automático están prefijados cuando usted elige un ciclo de secado automático. Usted puede seleccionar un nivel de sequedad distinto, según su carga de ropa, al presionar Nivel de sequedad (Dryness Level) y elegir Más (More), Normal o Menos (Less).

**NOTA:** Usted no puede usar el ajuste de tiempo (Time Adjust) ni puede elegir la temperatura con los ciclos de secado automático (Auto Dry Cycles).

- Si desea regular la duración de un ciclo programado, presione las flechas de Más tiempo (More Time) o Menos tiempo (Less Time) del ajuste de tiempo (Time Adjust). Ajuste la temperatura de un ciclo programado presionando Temperatura (Temperature) hasta seleccionar la temperatura deseada.

**NOTA:** Usted no puede elegir el nivel de sequedad (Dryness Level) con los ciclos programados (Timed Cycles).

## Luces de estado

Observe el progreso de su secadora con las luces indicadoras de estado.



### Húmedo (Damp)

La luz de Damp se ilumina en un ciclo de secado automático cuando la ropa está aproximadamente 80% seca o lista para plancharse. La señal de semi seco (Damp Dry Signal) suena, si se ha seleccionado. Vea "Opciones".

### Enfriamiento (Cool Down)

La luz de Cool Down se ilumina durante la etapa de enfriamiento del ciclo. La ropa se enfría para facilitar su manejo.

### Ropa Seca (Clothes Dry)

La luz de Clothes Dry se ilumina cuando el ciclo de secado ha terminado. Esta luz indicadora permanece encendida con WRINKLE GUARD®.

### Protector antiarrugas (WRINKLE GUARD®)

La luz de WRINKLE GUARD® se ilumina cuando se ha seleccionado esta opción. Esta luz indicadora permanece encendida con WRINKLE GUARD®.

## Revisar el filtro de pelusa (Check Lint Screen)

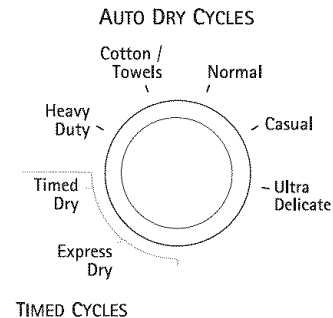
La luz de revisar el filtro de pelusa (Check Lint Screen) le recuerda que debe controlar el filtro de pelusa. La luz se enciende cuando el usuario selecciona un ciclo. Se apaga cuando se abre la puerta, cuando se presiona puesta en marcha (Start) o después de que pasen 5 minutos.

## Luces indicadoras (Indicator Lights)

Las otras luces indicadoras muestran los ajustes de ciclo, opciones, modificadores y la señal de ciclo seleccionados. La pantalla muestra el tiempo estimado o real restante.

## Ciclos

Seleccione el ciclo de secado de acuerdo con el tipo de carga que va a secar. Vea los cuadros de Ajustes prefijados de ciclos automáticos o programados.



## CICLOS DE SECADO AUTOMÁTICO

Los ciclos de secado automático (Auto Dry Cycles) le permiten regular el ciclo según la carga que va a secar. Vea el siguiente cuadro de Ajustes prefijados de ciclos automáticos. Cada ciclo seca determinadas telas a la temperatura recomendada. Un sensor detecta la humedad de la carga y regula automáticamente el tiempo de secado para lograr un secado óptimo.

### Secado intenso (Heavy Duty)

Use este ciclo para obtener calor alto para cargas pesadas mixtas, algodón y telas de mezclilla.

### Algodón/Toallas (Cotton/Towels)

Use este ciclo para obtener calor alto para secar los tejidos pesados, tales como toallas, sábanas o prendas de algodón.

### Normal

Use este ciclo para obtener calor medio para secar telas resistentes como ropa de trabajo.

### Informal (Casual)

Use este ciclo para obtener calor bajo para secar telas que no necesitan planchado como camisas deportivas, ropa de oficina informal y mezclas de planchado permanente.

### Ropa ultradelicada (Ultra Delicate)/Ropa delicada (Delicate)

Use este ciclo para obtener calor extra bajo para secar cuidadosamente artículos como lencería, blusas o tejidos de punto lavables.

### Ajustes prefijados de ciclos automáticos

Siga las instrucciones de cuidado de la etiqueta.

Ciclos de secado automático Tipo de carga	Temperatura	Tiempo* (Minutos)
<b>Secado intenso (HEAVY DUTY)</b> Cargas pesadas mixtas, algodón y pantalones de mezclilla	Alta	50
<b>Algodón/toallas (COTTON/TOWELS)</b> Toallas, sábanas, prendas de algodón	Alta	45
<b>NORMAL</b> Ropa de pana, ropa de trabajo	Media	40
<b>Informal (CASUAL)</b> Ropa de oficina informal, fibras de planchado permanente, fibras sintéticas	Baja	35
<b>Ropa ultradelicada (ULTRA DELICATE)/Ropa delicada (DELICATE)</b> Lencería, blusas, tejidos de punto lavables	Extra baja	25

\*Tiempo estimado con ajuste de nivel (normal) de secado automático. El tiempo variará según el tipo y tamaño de carga.

### CICLOS PROGRAMADOS

Use los ciclos programados (Timed Cycles) para seleccionar una cantidad específica de tiempo de secado y temperatura de secado. Al seleccionar un ciclo programado, la pantalla de Tiempo estimado restante (Estimated Time Remaining) muestra el tiempo real restante del ciclo. Puede cambiar el tiempo real del ciclo presionando los botones de ajuste de tiempo (TIME ADJUST) (Más tiempo o Menos tiempo). Vea "Cambio de ciclos, modificadores y opciones".

**NOTA:** Los ciclos programados pueden también usarse con el estante de la secadora. Vea "Estante de la secadora".

#### Secado programado (Timed Dry)

Use este ciclo para terminar el secado de artículos que todavía están húmedos después de un ciclo de secado automático. El secado programado es también útil para secar artículos pesados y voluminosos como cubrecamas y ropa de trabajo. Las prendas de peso liviano tales como ropa de ejercicio pueden secarse usando el secado programado (Timed Dry) en un ajuste bajo de temperatura.

#### Secado expreso (EXPRESS DRY™)

Use este ciclo para secar cargas pequeñas o cargas que necesitan un tiempo de secado corto.

#### Ajustes prefijados de ciclos programados

Ciclos programados Tipo de carga	Temperatura por omisión	Tiempo por omisión* (Minutos)
<b>Secado programado (TIMED DRY)</b> Ropa pesada, ropa voluminosa, cubrecamas, ropa de trabajo	Alta	40
<b>Secado expreso (EXPRESS DRY™)</b> Cargas pequeñas	Alta	23

\*Los tiempos prefijados quedan grabados del ciclo previo.



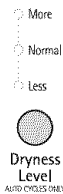
## Modificadores

### Modificadores del ciclo de secado automático

Use el modificador de nivel de sequedad para (Dryness Level) seleccionar los niveles de sequedad para los ciclos de secado automático (Auto Dry Cycles). Presione el nivel de sequedad hasta que se ilumine el ajuste deseado de nivel de sequedad.

El ajuste de sequedad prefijado es Normal cuando se selecciona un ciclo automático. Puede seleccionar un nivel de sequedad diferente según la carga, presionando Nivel de sequedad (Dryness Level) y eligiendo Más (More), Normal o Menos (Less). Al seleccionar Más (More), Normal o Menos (Less) se ajusta automáticamente el nivel de sequedad, en el cual se apagará la secadora. Una vez que se haya fijado el nivel de sequedad, no podrá cambiarse si no se detiene el ciclo.

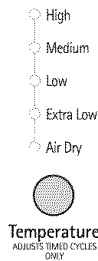
**NOTA:** Las selecciones de nivel de sequedad no pueden usarse con los ciclos programados.



### Modificadores de los ciclos programados

Use el modificador de temperatura para seleccionar las temperaturas para los ciclos programados. Presione Temperatura (TEMPERATURE) hasta que se ilumine el ajuste deseado de temperatura.

**NOTA:** Los modificadores de temperatura no se pueden usar con los ciclos de secado automático.



### Secado al aire (Air Dry)

Use el modificador de sólo aire para artículos que necesiten secarse sin calor como artículos de goma, de plástico y telas sensibles al calor. Esta tabla muestra ejemplos de artículos que pueden secarse usando secado al aire (Air Dry).

Tipo de carga	Tiempo* (Minutos)
Goma espuma – almohadas, brasieres acolchados, juguetes de peluche	20 - 30
Plástico – cortinas de baño, manteles	20 - 30
Alfombras con reverso de goma	40 - 50
Olefina, polipropileno, nilón transparente	10 - 20

\* Reajuste el ciclo para terminar de secar si fuera necesario.

### Cuando use sólo aire

- Revise las cubiertas para ver si las costuras están firmes.
- Sacuda y palmoree las almohadas con la mano periódicamente durante el ciclo.
- Seque el artículo completamente. Las almohadas de goma espuma tardan en secar.

**NOTA:** El modificador de sólo aire no está disponible en los ciclos de secado automático.

## Opciones

Usted puede personalizar sus ciclos al seleccionar opciones.

### OPTIONS

- Drum Light
- Damp Dry Signal  
AUTO CYCLES ONLY
- Wrinkle Guard 90

### Luz del tambor

En algunos modelos, puede seleccionar la luz del tambor (Drum Light) para encender la luz que está dentro del tambor de la secadora. Durante un ciclo, si se selecciona la luz del tambor, ésta se enciende y permanecerá encendida hasta que se presione nuevamente la luz del tambor (DRUM LIGHT), se abra y cierre la puerta o se deje la misma abierta por 5 minutos.

Cuando la secadora no esté funcionando, la luz del tambor se encenderá cuando se la presione (DRUM LIGHT) o se abra la puerta de la secadora; permanecerá encendida hasta que la puerta de la secadora se haya dejado abierta por 5 minutos, se cierre la puerta de la secadora o se presione nuevamente la luz del tambor (DRUM LIGHT).

Presione DRUM LIGHT en cualquier momento para encender (ON) o apagar (OFF) la luz del tambor.

### Señal de semi seco (Damp Dry Signal)

Seleccione la señal de semi seco para alertarle cuando su ropa esté aproximadamente 80% seca o lista para plancharse. Esto es útil cuando usted quiere quitar artículos livianos en una carga mixta para evitar que se sequen en exceso, o para quitar artículos parcialmente secos que pudiesen necesitar un planchado.

La señal de semi seco (DAMP DRY SIGNAL) es útil cuando seca sábanas/artículos de lino en una carga mixta. Cuando suene la señal, abra la puerta para detener la secadora, vuelva a arreglar la carga dentro de la secadora, cierre la puerta y vuelva a poner la secadora en marcha para terminar el ciclo de secado. El volver a arreglar la carga, ayudará en el proceso de secado.

**NOTA:** La señal de semi seco está disponible solamente con los ciclos de secado automático.

### Protector antiarrugas (WRINKLE GUARD®) (30, 60, 90 y 150 minutos)

WRINKLE GUARD® ayuda a prevenir las arrugas que se forman cuando usted no puede descargar la secadora tan pronto termina el ciclo. Durante esta opción, la secadora deja de girar y vuelve a girar nuevamente por un breve período sin calor cuando se la presiona.

- Presione protección antiarrugas (WRINKLE GUARD®) para obtener una rotación periódica sin calor al final del ciclo. WRINKLE GUARD® periódicamente comienza y detiene la secadora, haciendo girar la ropa sin calor por 30, 60, 90 ó 150 minutos (dependiendo del modelo) a menos que usted abra la puerta de la secadora.
- Detenga el protector antiarrugas (WRINKLE GUARD®) en cualquier momento presionando el botón WRINKLE GUARD®, abriendo la puerta de la secadora o presionando Parada (STOP).
- Para el ciclo informal (Casual), la protección antiarrugas WRINKLE GUARD® está prefijada en encendido (ON). Los otros ciclos de secado automático retendrán el ajuste de WRINKLE GUARD®. Por ejemplo, si usted selecciona WRINKLE GUARD® en el ciclo Normal, WRINKLE GUARD® estará encendida la próxima vez que seleccione el ciclo Normal.

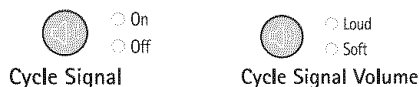
**NOTA:** Si usted no selecciona WRINKLE GUARD®, la secadora se detiene después del período de enfriamiento.

## Señal de ciclo (Cycle Signal)

### Señal de ciclo (Cycle Signal)

La señal de ciclo emite un sonido audible una vez que el ciclo de secado ha terminado. El quitar la ropa con prontitud al final del ciclo reduce la formación de arrugas.

Presione el volumen de la señal de ciclo (CYCLE SIGNAL VOLUME) hasta seleccionar el volumen deseado (Alto o Bajo). En algunos modelos, presione la señal de ciclo (CYCLE SIGNAL) para encender o apagar la señal de ciclo.



**NOTA:** Cuando se selecciona protección antiarrugas (WRINKLE GUARD®), se escuchará un sonido audible cada 5 minutos hasta que se saque la ropa o hasta que el período de protección antiarrugas (WRINKLE GUARD®) se haya terminado.

## Cambio de ciclos, modificadores y opciones

Usted puede cambiar los ciclos automáticos y programados, modificadores y opciones en cualquier momento antes de presionar Puesta en marcha (Start).

- Al seleccionar una combinación no disponible se escuchan tres tonos audibles cortos. No se aceptará la última selección.

### Cambio de ciclos después de presionar puesta en marcha

1. Presione Parada (STOP) dos veces.
2. Seleccione el ciclo y las opciones deseados.
3. Presione START. La secadora vuelve a funcionar al comienzo del nuevo ciclo.

**NOTA:** Si usted no oprime puesta en marcha dentro de los 5 minutos de haber seleccionado el ciclo, la secadora se apaga automáticamente.

### Cambio de modificadores y opciones después de presionar puesta en marcha

Usted puede cambiar un modificador u opción en cualquier momento antes de que comience el modificador u opción seleccionado.

1. Presione STOP una vez.
2. Seleccione el nuevo modificador y/u opción.
3. Presione START para continuar el ciclo.

**NOTA:** Si accidentalmente presiona parada (STOP) dos veces, el programa se despejará y la secadora se apagará. Vuelva a iniciar el proceso de selección.

### Cómo cambiar los ajustes prefijados de nivel de sequedad

Si todas las cargas de los ciclos de secado automático (Auto Dry) no están tan secas como usted quisiera, puede cambiar los ajustes prefijados de nivel de sequedad (Dryness Level) para aumentar la sequedad. Este cambio afectará todos los ciclos de secado automático.

Los ajustes de nivel de sequedad pueden ajustarse para adecuarse a las diferentes instalaciones, las condiciones del medio ambiente o las preferencias personales. Existen 3 ajustes de secado: 1 (nivel de sequedad prefijado de fábrica), 2 (prendas ligeramente más secas, aproximadamente 15% más de tiempo de secado) y 3 (prendas mucho más secas, aproximadamente 30% más de tiempo de secado).

1. Los ajustes de nivel de sequedad no pueden cambiarse mientras esté funcionando la secadora.
2. Presione y sostenga el botón de nivel de secado (Dryness Level) por 5 segundos. La secadora sonará, y aparecerá en la pantalla "CF" por 1 segundo seguido del ajuste de secado actual.
3. Para seleccionar un nuevo ajuste de secado, presione nuevamente el botón de nivel de sequedad (Dryness Level) hasta que aparezca el ajuste de secado deseado.  
**NOTA:** Entre los ciclos de ajustes, el ajuste actual no destellará, pero sí los otros ajustes.
4. Presione puesta en marcha (START) para grabar el ajuste de secado.
5. El ajuste de secado que usted seleccionó se convertirá en el nuevo ajuste de secado prefijado para todos los ciclos de secado automático.

## Estante de la secadora

El estante de la secadora fue embalado dentro del tambor de la secadora.

Use el estante de la secadora para artículos que usted no quiere secar con rotación, como son suéters.

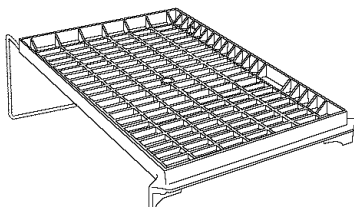
Use el Secado programado (Timed Dry) para seleccionar la duración deseada.

**NOTA:** No use ciclos de secado automático con el estante de secado.

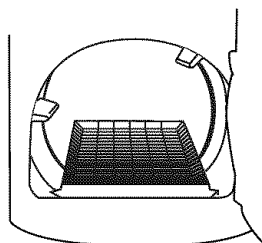
### Para usar el estante de la secadora:

No quite el filtro de pelusa.

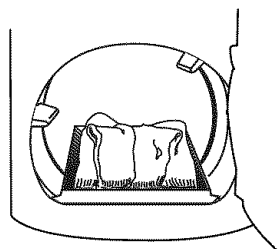
1. Abra la puerta de la secadora.



2. Deslice el estante de la secadora sobre la parte inferior de la abertura de la secadora. Deje el alambre posterior sobre el reborde de la parte posterior de la secadora. Empuje hacia abajo el frente del marco para asegurarlo sobre el filtro de pelusa.



3. Coloque los artículos mojados encima del estante. Deje espacio alrededor de los artículos para que circule el aire. El estante no se mueve, pero el tambor rotará. Asegúrese que los artículos no cuelguen por los bordes o entre las rejillas del estante.



4. Cierre la puerta.
5. Seleccione secado programado (TIMED DRY) y ajuste el tiempo (TIME ADJUST) más tiempo (MORE TIME) o menos tiempo (LESS TIME). Consulte el cuadro a continuación.
6. Seleccione el ajuste deseado de temperatura para el tipo de telas en la carga presionando temperatura (TEMPERATURE). Los artículos que contengan espuma, hule o plástico deben secarse en un tendedero o usando un ciclo de aire. Consulte el cuadro a continuación.
7. Ponga la secadora en marcha.

**NOTA:** Revise el filtro de pelusa y quite cualquier pelusa acumulada proveniente de los artículos que se han secado en el estante.

Artículos sugeridos para el secado en el estante	Ajuste de ciclo	Tiempo sugerido* (Minutos)
Artículos lavables de lana (déles forma y extiéndalos en sentido plano en el estante)	Bajo (Low)	20
Juguetes de peluche o almohadas (con relleno de algodón o fibra de poliéster)	Bajo	30
Juguetes de peluche (con relleno de goma espuma)	Secado al aire (Air Dry)	50
Galochas (de goma)	Secado al aire	20
Almohadas de goma espuma	Secado al aire	50
Zapatillas de tenis	Secado al aire	20

\*Vuelva a fijar el tiempo de secado según como sea necesario para lograr un secado completo.

**NOTA:** Usted debe quitar el estante para un secado normal. Para quitar el estante de secado, levántelo directamente hacia arriba y afuera de la secadora.

# CUIDADO DE LA SECADORA

## Limpieza del lugar donde está la secadora

Mantenga el área donde está la secadora despejada y libre de artículos que pudieran obstruir el flujo de aire para la combustión y la ventilación.

### ⚠ ADVERTENCIA



#### Peligro de Explosión

Mantenga los materiales y vapores inflamables, como la gasolina, lejos de la secadora.

Coloque la secadora a un mínimo de 46 cm sobre el piso para la instalación en un garaje.

No seguir estas instrucciones puede ocasionar la muerte, explosión o incendio.

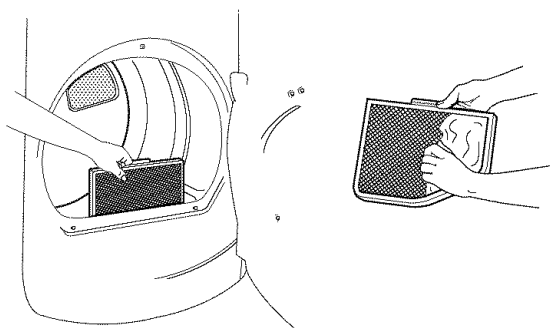
## Limpieza del filtro de pelusa

### Limpieza de cada carga

El filtro de pelusa está ubicado en la abertura de la puerta de la secadora. El panel de control tiene una luz indicadora para recordarle que tiene que limpiar el filtro de pelusa antes de cada carga. Un filtro obstruido con pelusa puede aumentar el tiempo de secado.

#### Para limpiar

1. Jale el filtro de pelusa en sentido recto hacia arriba. Quite la pelusa del filtro enrollándola con sus dedos. No enjuague ni lave el filtro para quitar la pelusa. La pelusa mojada es difícil de quitar.



2. Empuje el filtro de pelusa firmemente de vuelta en su lugar.

### IMPORTANTE:

- No ponga a funcionar la secadora con un filtro de pelusa flojo, dañado, obstruido o sin él. El hacerlo puede causar un sobrecalentamiento y dañar tanto la secadora como la ropa.
- Si al quitar la pelusa del filtro, ésta cae en la secadora, revise la capota de ventilación y quite la pelusa. Vea "Requisitos de ventilación".

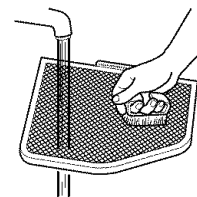
### Limpieza según la necesidad

Los residuos de detergente de lavandería y suavizante de telas pueden acumularse en el filtro de pelusa. Esta acumulación puede ocasionar tiempos de secado más prolongados para su ropa, o hacer que la secadora se detenga antes que su carga esté completamente seca. Si la pelusa se cae del filtro cuando éste está en la secadora, es probable que el filtro esté obstruido.

Limpie el filtro de pelusa con un cepillo de nailon cada 6 meses o con más frecuencia si se obstruye debido a la acumulación de residuos.

#### Para lavar

1. Quite la pelusa del filtro enrollándola con sus dedos.
2. Moje ambos lados del filtro de pelusa con agua caliente.
3. Moje un cepillo de nailon con agua caliente y detergente líquido. Refriegue el filtro de pelusa con el cepillo para quitar la acumulación de residuos.



4. Enjuague el filtro con agua caliente.
5. Seque meticulosamente el filtro de pelusa con una toalla limpia. Vuelva a colocar el filtro en la secadora.

## Limpieza del interior de la secadora

### Para limpiar el tambor de la secadora

1. Haga una pasta con un detergente de lavandería en polvo y agua tibia.
2. Aplique la pasta a un paño suave.  
○ Aplique al área manchada un producto de limpieza doméstico líquido, no inflamable y frótelo con un paño suave hasta quitar todo el exceso de tinte y manchas.
3. Limpie el tambor meticulosamente con un paño húmedo.
4. Ponga a funcionar la secadora con una carga de ropa limpia o toallas para secar el tambor.

**NOTA:** Las prendas que contienen tintes desteñibles, tales como los pantalones de mezclilla o artículos de algodón de colores vivos, pueden teñir el interior de la secadora. Estas manchas no dañan su secadora y no mancharán las cargas de ropa futuras. Seque al revés los artículos que destiñen para evitar la transferencia de tintes.

## Eliminación de pelusa acumulada

### En el interior del gabinete de la secadora

Según el uso de la secadora, se debe quitar la pelusa cada 2 años, o con más frecuencia. La limpieza deberá efectuarla una persona calificada.

### En el ducto de escape

La pelusa debe ser quitada cada 2 años, o con más frecuencia, de acuerdo con el uso de la secadora.

## Cuidado para las vacaciones y la mudanza

### Cuidado para las vacaciones

Ponga la secadora a funcionar sólo cuando esté en casa. Si va a salir de vacaciones o no va a usar su secadora por un tiempo prolongado, usted deberá:

1. Desenchufar la secadora o desconectar el suministro de energía.
2. Limpiar el filtro de pelusa. Vea "Limpieza del filtro de pelusa".

### Cuidado para la mudanza

#### Para secadoras conectadas al cable de suministro eléctrico:

1. Desenchufe el cable de suministro de energía.
2. Asegúrese de que las patas niveladoras estén fijas en la base de la secadora.
3. Use cinta adhesiva para asegurar la puerta de la secadora.

#### Para secadoras con cableado directo:

## ⚠ ADVERTENCIA



### Peligro de Choque Eléctrico

Desconecte el suministro de energía antes de darle mantenimiento.

Vuelva a colocar todos los componentes y paneles antes de hacerlo funcionar.

No seguir estas instrucciones puede ocasionar la muerte o choque eléctrico.

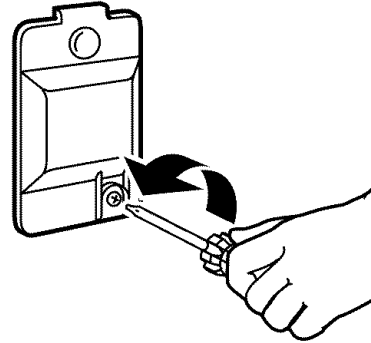
1. Desconecte el suministro de energía.
2. Desconecte el cableado.
3. Asegúrese de que las patas niveladoras estén fijas en la base de la secadora.
4. Use cinta adhesiva para asegurar la puerta de la secadora.

## Cambio de la luz del tambor

La luz de la secadora se enciende automáticamente en el interior del tambor de la secadora cuando usted abre la puerta.

### Para cambiar la luz del tambor

1. Desenchufe la secadora o desconecte el suministro de energía.
2. Abra la puerta de la secadora. Localice la cubierta del foco de luz en la pared posterior de la secadora. Quite el tornillo ubicado en la esquina inferior derecha de la cubierta. Quite la cubierta.



3. Gire el foco en sentido contrario a las manecillas del reloj. Reemplácelo únicamente con un foco para electrodomésticos de 10 W. Vuelva a colocar la cubierta en su lugar y asegúrela con un tornillo.
4. Enchufe la secadora o reconecte el suministro de energía.

# SOLUCIÓN DE PROBLEMAS

Pruebe primero las soluciones aquí sugeridas y posiblemente se evite el costo de una visita de servicio técnico...

## Funcionamiento de la secadora

### La secadora no funciona

- **¿Hay un fusible de la casa fundido o se disparó el cortacircuitos?**  
Reemplace el fusible o reposicione el cortacircuitos. Es posible que la secadora tenga 2 fusibles o cortacircuitos. Asegúrese de que ambos fusibles estén intactos y ajustados, o de que ambos cortacircuitos no se hayan disparado. Si el problema continúa, llame a un electricista.
- **¿Es el suministro de energía el correcto?**  
Las secadoras eléctricas requieren un suministro eléctrico de 240 voltios. Verifique con un electricista calificado.
- **¿Se usó un fusible normal?**  
Use un fusible retardador.
- **¿Está cerrada con firmeza la puerta de la secadora?**
- **¿Se oprimió con firmeza el botón de Puesta en marcha?**  
Para cargas más grandes puede ser necesario presionar y sostener el botón de Puesta en marcha (Start) 2 a 5 segundos.

### Sin calor

- **¿Hay un fusible de la casa fundido o se disparó el cortacircuitos?**  
El tambor quizás rote pero sin calor. Las secadoras eléctricas utilizan 2 fusibles o disyuntores. Reemplace el fusible o reposicione el cortacircuitos. Si el problema continúa, llame a un electricista.

### Sonidos raros

- **¿Ha estado la secadora sin uso por una temporada?**  
Si no se ha usado la secadora por una temporada, es posible que se escuche un sonido fuerte durante los primeros minutos de funcionamiento.
- **¿Hay una moneda, botón o sujetapapeles entre el tambor y la parte frontal o trasera de la secadora?**  
Revise los bordes frontales y traseros del tambor para verificar si hay objetos pequeños. Limpie los bolsillos antes del lavado.
- **¿Están las cuatro patas instaladas y está la secadora nivelada de frente hacia atrás y de lado a lado?**  
La secadora puede vibrar si no está instalada adecuadamente. Vea "Instrucciones de instalación".
- **¿Las prendas están enredadas o hechas un ovillo?**  
Si la carga está hecha un ovillo, rebotará haciendo vibrar a la secadora. Separe los artículos de la carga y reinicie la secadora.

### La secadora muestra mensajes codificados

- **"PF" (corte de corriente), revise lo siguiente:**  
¿Se ha interrumpido el ciclo de secado por un corte de corriente? Presione y sostenga Puesta en marcha (START) para reanudar la marcha de la secadora.
- **¿Están las hojas del suavizante de telas bloqueando la rejilla?**

- **"AF" (la secadora está experimentando un problema de bajo flujo de aire):**  
Para despejar el código, oprima Parada (STOP) una vez y el tiempo estimado restante reaparecerá en la pantalla. "AF" continuará apareciendo en cada ciclo hasta que se resuelva el problema de bajo flujo de aire.

#### Intente lo siguiente:

Limpie el filtro de pelusa.

Verifique que el tubo de ventilación desde la secadora hasta la pared esté despejado.

Verifique en el exterior de la casa que la capota de ventilación no esté bloqueada.

Haga limpiar por un profesional el tendido de los ductos de escape de su casa.

Si el problema persiste, llame al servicio técnico. Para contactar el servicio técnico de Sears, sírvase llamar al **1-800-4-MY-HOME® (1-800-469-4663)** o vea la contraportada de este manual.

- **"F" códigos de servicio técnico variables (F1, F2, F20, etc):**  
Llame solicitando servicio técnico. Para contactar el servicio técnico de Sears, sírvase llamar al **1-800-4-MY-HOME® (1-800-469-4663)** o vea la contraportada de este manual.

## Resultados de la secadora

**Las prendas no se secan satisfactoriamente, los tiempos de secado son demasiado largos o la carga está demasiado caliente**

- **¿Está el filtro de pelusa obstruido con pelusa?**  
El filtro de pelusa debe ser limpiado antes de cada carga.

## ⚠ ADVERTENCIA



### Peligro de Incendio

Use un ducto de escape de metal pesado.

No use un ducto de escape de plástico.

No use un ducto de escape de aluminio.

No seguir estas instrucciones puede ocasionar la muerte o incendio.

- **¿Está obstruido con pelusa el ducto de escape o la capota de ventilación, restringiendo el flujo del aire?**  
Ponga a funcionar la secadora unos 5 a 10 minutos. Ponga su mano debajo de la capota de ventilación para verificar el movimiento del aire. Si no lo siente, limpie la pelusa del sistema de ventilación o reemplace el ducto de escape con uno de metal pesado o de metal flexible. Vea "Instrucciones de instalación".

Use únicamente una hoja del suavizante de telas y úsela una sola vez.

- **¿Tiene el ducto de escape el largo correcto?**  
 Controle el ducto de escape para verificar que no sea demasiado largo o no dé demasiadas vueltas. Una ventilación larga aumentará el tiempo de secado. Vea "Instrucciones de instalación".
- **¿Es el diámetro del ducto de escape del tamaño correcto?**  
 Use un material de ventilación de 4" (10,2 cm) de diámetro.

## ⚠ ADVERTENCIA



### Peligro de Explosión

Mantenga los materiales y vapores inflamables, como la gasolina, lejos de la secadora.

Coloque la secadora a un mínimo de 46 cm sobre el piso para la instalación en un garaje.

No seguir estas instrucciones puede ocasionar la muerte, explosión o incendio.

- **¿Está la secadora ubicada en una habitación cuya temperatura está debajo de 45°F (7°C)?**  
 El funcionamiento apropiado de los ciclos de la secadora requiere temperaturas superiores a 45°F (7°C).
- **¿Está la secadora ubicada en un armario?**  
 Las puertas del armario deben tener aberturas de ventilación en la parte superior e inferior de la puerta. La parte posterior de la secadora necesita un espacio libre de 5" (12,7 cm). Vea "Instrucciones de instalación".
- **¿Se ha seleccionado el modificador de sólo aire (Air Only)?**  
 Seleccione la temperatura correcta para el tipo de prendas que se estén secando. Vea "Modificadores".
- **¿Está la carga demasiado voluminosa y pesada para secarse con rapidez?**  
 Separe la carga de modo que pueda rotar libremente.
- **¿No están todas las cargas de los ciclos de secado automático tan secas como usted desearía?**  
 Puede cambiar los ajustes prefijados de Nivel de sequedad para aumentar la sequedad de todos los ciclos de secado automático. Vea "Cambio de ciclos, modificadores y opciones".

## El tiempo del ciclo es demasiado corto

## ⚠ ADVERTENCIA

### Peligro de Peso Excesivo

Use dos o más personas para mover e instalar la secadora.

No seguir esta instrucción puede ocasionar una lesión en la espalda u otro tipo de lesiones.

- **¿Está terminando más rápido el ciclo de secado automático?**  
 Quizás la carga no está haciendo contacto con las bandas del detector. Nivele la secadora.  
 Cambie el ajuste del nivel de sequedad en ciclos de secado automáticos. Aumentar o disminuir el nivel de sequedad cambiará la cantidad de tiempo de secado en un ciclo.  
 No use un estante de secado con un ciclo automático.

## Pelusa en la ropa

- **¿Está obstruido el filtro de pelusa?**  
 Limpie el filtro de pelusa. Verifique si hay movimiento de aire.

## Manchas en la carga o en el tambor

- **¿Se ha empleado adecuadamente el suavizante de telas?**  
 Agregue hojas de suavizante de telas al comienzo del ciclo. Las hojas del suavizante de telas que se agregan a una carga parcialmente seca pueden manchar las prendas.  
 Las manchas en el tambor están causadas por los tintes en las prendas (habitualmente los pantalones de mezclilla). Esto no se transferirá a otras prendas.

## Ropa arrugada

- **¿Se ha sacado la ropa de la secadora al final del ciclo?**
- **¿Se ha sobrecargado la secadora?**  
 Seque cargas más pequeñas que puedan rotar con libertad.

## Olores

- **¿Ha estado pintando, tiñendo o barnizando recientemente el área donde se encuentra la secadora?**  
 De ser así, ventile el área. Cuando los olores o humos se hayan esfumado del área, vuelva a lavar y secar la ropa.
- **¿Se está usando la secadora por primera vez?**  
 El nuevo elemento calefactor eléctrico puede despedir un olor. El olor desaparecerá después del primer ciclo.

# Get it fixed, at your home or ours!

## Your Home

For repair—in **your home**—of **all** major brand appliances, lawn and garden equipment, or heating and cooling systems, **no matter who made it, no matter who sold it!**

For the replacement parts, accessories and owner's manuals that you need to do-it-yourself.

For Sears professional installation of home appliances and items like garage door openers and water heaters.

**1-800-4-MY-HOME®** (1-800-469-4663)

Call anytime, day or night (U.S.A. and Canada)

[www.sears.com](http://www.sears.com)    [www.sears.ca](http://www.sears.ca)

## Our Home

For repair of carry-in items like vacuums, lawn equipment, and electronics, call or go on-line for the location of your nearest **Sears Parts & Repair Center.**

**1-800-488-1222**

Call anytime, day or night (U.S.A. only)

[www.sears.com](http://www.sears.com)

To purchase a protection agreement (U.S.A.) or maintenance agreement (Canada) on a product serviced by Sears:

**1-800-827-6655** (U.S.A.)

**1-800-361-6665** (Canada)

Para pedir servicio de reparación a domicilio, y para ordenar piezas:

**1-888-SU-HOGAR®**

(1-888-784-6427)

Au Canada pour service en français:

**1-800-LE-FOYER<sup>MC</sup>**

(1-800-533-6937)

[www.sears.ca](http://www.sears.ca)





## Free Manuals Download Website

<http://myh66.com>

<http://usermanuals.us>

<http://www.somanuals.com>

<http://www.4manuals.cc>

<http://www.manual-lib.com>

<http://www.404manual.com>

<http://www.luxmanual.com>

<http://aubethermostatmanual.com>

Golf course search by state

<http://golfingnear.com>

Email search by domain

<http://emailbydomain.com>

Auto manuals search

<http://auto.somanuals.com>

TV manuals search

<http://tv.somanuals.com>