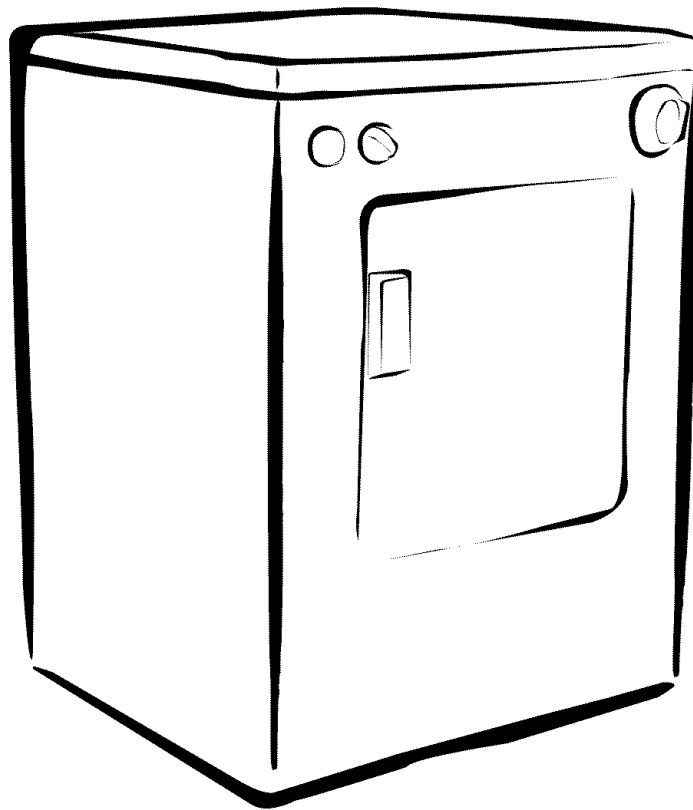




**240-Volt
Compact
Electric Dryer**
Use & Care Guide

**Secadora
Compacta Eléctrica
de 240 voltios**
Manual de uso y cuidado

Model/Modelo **110.84182**



ENGLISH ESPAÑOL

TABLE OF CONTENTS

PROTECTION AGREEMENTS.....	2
WARRANTY.....	3
DRYER SAFETY.....	4
INSTALLATION INSTRUCTIONS.....	5
Tools and Parts.....	5
Location Requirements.....	5
Electrical Requirements.....	6
Electrical Connection.....	8
Venting Requirements.....	12
Plan Vent System.....	12
Install Vent System.....	13
Install Leveling Legs.....	14
Level Dryer.....	14
Connect Vent.....	14
Complete Installation.....	14
DRYER USE.....	15
Starting Your Dryer.....	15
Stopping and Restarting.....	15
Loading.....	16
Drying, Cycle, and Temperature Tips.....	16
Cycles.....	16
Fabric Temperature Control.....	17
DRYER CARE.....	17
Cleaning the Dryer Location.....	17
Cleaning the Lint Screen.....	17
Cleaning the Dryer Interior.....	18
Removing Accumulated Lint.....	18
Vacation and Moving Care.....	18
TROUBLESHOOTING.....	19
SERVICE NUMBERS.....	BACK COVER

PROTECTION AGREEMENTS

Master Protection Agreements

Congratulations on making a smart purchase. Your new Kenmore® product is designed and manufactured for years of dependable operation. But like all products, it may require preventive maintenance or repair from time to time. That's when having a Master Protection Agreement can save you money and aggravation.

Purchase a Master Protection Agreement now and protect yourself from unexpected hassle and expense.

The Master Protection Agreement also helps extend the life of your new product. Here's what's included in the Agreement:

- ✓ **Expert service** by our 12,000 professional repair specialists
- ✓ **Unlimited service and no charge** for parts and labor on all covered repairs
- ✓ **"No-lemon" guarantee** – replacement of your covered product if four or more product failures occur within twelve months
- ✓ **Product replacement** if your covered product can't be fixed
- ✓ **Annual Preventive Maintenance Check** at your request – no extra charge
- ✓ **Fast help by phone** – phone support from a Sears technician on products requiring in-home repair, plus convenient repair scheduling
- ✓ **Power surge protection** against electrical damage due to power fluctuations
- ✓ **Rental reimbursement** if repair of your covered product takes longer than promised

Once you purchase the Agreement, a simple phone call is all that it takes for you to schedule service. You can call anytime day or night, or schedule a service appointment online.

Sears has over 12,000 professional repair specialists, who have access to over 4.5 million quality parts and accessories. That's the kind of professionalism you can count on to help prolong the life of your new purchase for years to come. Purchase your Master Protection Agreement today!

Some limitations and exclusions apply. For prices and additional information, call 1-800-827-6655.

Sears Installation Service

For Sears professional installation of home appliances, garage door openers, water heaters, and other major home items, in the U.S.A. call **1-800-4-MY-HOME®**.

WARRANTY

FULL ONE-YEAR WARRANTY ON MECHANICAL AND ELECTRICAL PARTS

For one year from the date of purchase, when this dryer is installed and operated according to the instructions provided in this Use and Care Guide, Sears will repair this dryer, free of charge, if defective in materials or workmanship.

NOTE: Exhausting this dryer with a plastic vent can void this warranty. See "Installation Instructions" for the complete exhaust requirements for this dryer.

Warranty Restriction

If the dryer is subject to other than private family use, the above warranty coverage is effective for only 90 days.

Warranty Service

Warranty service is available by contacting the nearest Sears Service Center. This warranty applies only while the product is in use in the United States.

This warranty gives you specific legal rights and you may also have other rights which vary from state to state.

For Sears Warranty information or to contact a Sears Service Center, please refer to the service numbers located on the back page of this manual.

**Sears, Roebuck and Co.
D/817WA, Hoffman Estates, IL 60179**

Product Record

In the space following, record your complete model number, serial number, and purchase date. You can find this information on the model and serial number label, located at the top inside dryer door well.

Have this information available to help you quickly obtain assistance or service when you contact Sears concerning your appliance.

Model number 110. _____

Serial number _____

Purchase date _____

Save these instructions and your sales receipt for future reference.

ENGLISH

DRYER SAFETY

Your safety and the safety of others are very important.

We have provided many important safety messages in this manual and on your appliance. Always read and obey all safety messages.



This is the safety alert symbol.

This symbol alerts you to potential hazards that can kill or hurt you and others.

All safety messages will follow the safety alert symbol and either the word "DANGER" or "WARNING."

These words mean:

⚠ DANGER

You can be killed or seriously injured if you don't immediately follow instructions.

⚠ WARNING

You can be killed or seriously injured if you don't follow instructions.

All safety messages will tell you what the potential hazard is, tell you how to reduce the chance of injury, and tell you what can happen if the instructions are not followed.

IMPORTANT SAFETY INSTRUCTIONS

WARNING: To reduce the risk of fire, electric shock, or injury to persons when using the dryer, follow basic precautions, including the following:

- Read all instructions before using the dryer.
- Do not place items exposed to cooking oils in your dryer. Items contaminated with cooking oils may contribute to a chemical reaction that could cause a load to catch fire.
- Do not dry articles that have been previously cleaned in, washed in, soaked in, or spotted with gasoline, dry-cleaning solvents, other flammable, or explosive substances as they give off vapors that could ignite or explode.
- Do not allow children to play on or in the dryer. Close supervision of children is necessary when the dryer is used near children.
- Before the dryer is removed from service or discarded, remove the door to the drying compartment.
- Do not reach into the dryer if the drum is moving.
- Do not install or store the dryer where it will be exposed to the weather.
- Do not tamper with controls.
- Do not repair or replace any part of the dryer or attempt any servicing unless specifically recommended in this Use and Care Guide or in published user-repair instructions that you understand and have the skills to carry out.
- Do not use fabric softeners or products to eliminate static unless recommended by the manufacturer of the fabric softener or product.
- Do not use heat to dry articles containing foam rubber or similarly textured rubber-like materials.
- Clean lint screen before or after each load.
- Keep area around the exhaust opening and adjacent surrounding areas free from the accumulation of lint, dust, and dirt.
- The interior of the dryer and exhaust vent should be cleaned periodically by qualified service personnel.
- See installation instructions for grounding requirements.

SAVE THESE INSTRUCTIONS

INSTALLATION INSTRUCTIONS

Tools and Parts

Tools needed

Gather the required tools and parts before starting installation. Read and follow the safety instructions provided with any tools listed here.

- Flat-blade screwdriver
- #2 Phillips screwdriver
- Level
- Adjustable wrench
- 1/4" nut driver
- Wire stripper (direct wire installations)
- Wood block
- Caulking gun and compound (for installing new exhaust vent)
- Tin snips (new vent installations)
- Vent clamps

Parts supplied

Remove parts package from the dryer drum. Check that all parts listed are included.

- 3 - Control knobs
- 4 - Leveling legs

Parts needed

Check local codes, existing electrical supply and venting, and see "Venting Requirements" and "Electrical Requirements" before purchasing parts.

Mobile home installations require metal exhaust system hardware available for purchase from your local Sears store or Sears Service Center. For further information, please call **1-800-4-MY-HOME® (1-800-469-4663)**.

Location Requirements

⚠ WARNING



Explosion Hazard

Keep flammable materials and vapors, such as gasoline, away from dryer.

Place dryer at least 18 inches (46 cm) above the floor for a garage installation.

Failure to do so can result in death, explosion, or fire.

You will need

- A location that allows for proper exhaust installation. See "Venting Requirements."
- A separate 30 amp circuit.
- A grounded electrical outlet located within 2 ft (61 cm) of either side of the dryer. See "Electrical Requirements."
- A sturdy floor to support the dryer weight (dryer and load) of 115 lbs (52 kg). The combined weight of a companion appliance should also be considered.
- A level floor with a maximum slope of 1" (2.5 cm) under entire dryer.

Do not operate your dryer at temperatures below 45°F (7°C). At lower temperatures, the dryer might not shut off at the end of an automatic cycle. Drying times can be extended.

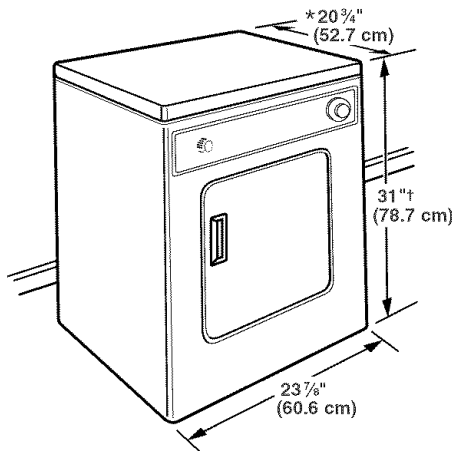
The dryer must not be installed or stored in an area where it will be exposed to water and/or weather.

Check code requirements. Some codes limit, or do not permit, installation of the dryer in garages, closets, mobile homes, or sleeping quarters. Contact your local building inspector.

Installation Clearances

The location must be large enough to allow the dryer door to open fully.

Dryer Dimensions



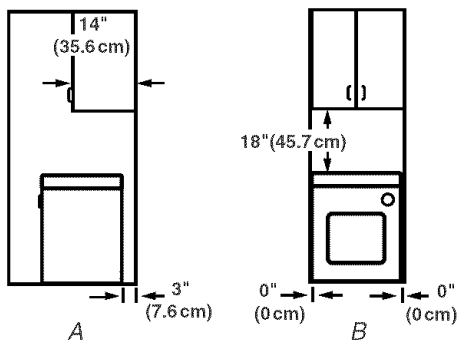
*Most installations require a minimum 5½" (14.0 cm) clearance behind the dryer for the exhaust vent with elbows. See "Venting Requirements."

Minimum installation spacing for recessed area and closet installation

The following dimensions shown are for the minimum spacing allowed when the unit is to be operated with, or without, the Stack Stand Kit. To purchase a Stack Stand Kit, please call **1-800-4-MY-HOME® (1-800-469-4663)**.

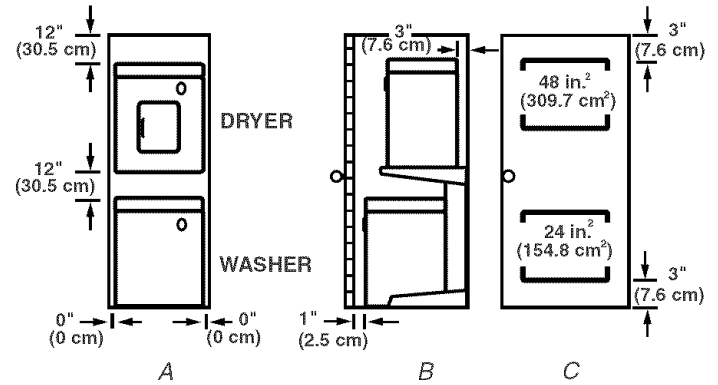
- Additional spacing should be considered for ease of installation and servicing.
- Additional clearances might be required for wall, door, and floor moldings.
- Additional spacing of 1" (2.5 cm) on all sides of the dryer is recommended to reduce noise transfer.
- For closet installation with a door, minimum ventilation openings in the top and bottom of the door are required. Louvered doors with equivalent ventilation openings are acceptable.
- Companion appliance spacing should also be considered.

Recessed or closet installation - Dryer only



A. Side view - closet or confined area
B. Recessed area

Recessed or closet installation - Stacked



A. Recessed area
B. Side view - closet or confined area
C. Closet door with vents

Mobile Home - Additional Location Requirements

This dryer is suitable for mobile home installations. The installation must conform to the Manufactured Home Construction and Safety Standard, Title 24 CFR, Part 3280 (formerly the Federal Standard for Mobile Home Construction and Safety, Title 245, HUD Part 280).

Mobile home installations require:

- Metal exhaust system hardware which is available for purchase from your local Sears store or Sears Service Center.
- Special provisions must be made in mobile homes to introduce outside air into the dryer. The opening (such as a nearby window) should be at least twice as large as the dryer exhaust opening.

Electrical Requirements

It is your responsibility

- To contact a qualified electrical installer.
- To be sure that the electrical connection is adequate and in conformance with the National Electrical Code, ANSI/NFPA 70-latest edition and all local codes and ordinances.
The National Electric Code requires a 4-wire supply connection for homes built after 1996, dryer circuits involved in remodeling after 1996, and all mobile home installations.
A copy of the above code standards can be obtained from: National Fire Protection Association, One Batterymarch Park, Quincy, MA 02269.
- To supply the required 3 or 4 wire, single phase, 120/240-volt, 60-Hz., AC-only electrical supply (or 3 or 4 wire, 120/208-volt electrical supply, if specified on the serial/rating plate) on a separate 30-amp circuit, fused on both sides of the line. A time-delay fuse or circuit breaker is recommended. Connect to an individual branch circuit. Do not have a fuse in the neutral or grounding circuit.
- Do not use an extension cord.
- If codes permit and a separate ground wire is used, it is recommended that a qualified electrician determine that the ground path is adequate.

Electrical Connection

To properly install your dryer, you must determine the type of electrical connection you will be using and follow the instructions provided for it here.

- This dryer is manufactured ready to install with a 3-wire electrical supply connection. The green cabinet-grounding conductor is permanently connected to the neutral conductor (white wire) within the dryer. If the dryer is installed with a 4-wire electrical supply connection, the green cabinet-grounding conductor must be removed from the external ground conductor screw (green screw), and secured under the neutral terminal (center or white wire) of the terminal block. When the green cabinet-grounding conductor is secured under the neutral terminal (center or white wire) of the terminal block, the dryer cabinet is isolated from the neutral conductor.
- If local codes do not permit the connection of a cabinet ground conductor to the neutral wire, see "Optional 3-wire connection" section.
- Use a 4-wire conductor cord when the dryer is installed in a mobile home or an area where local codes do not permit grounding through the neutral.

If using a power supply cord:

Use a UL listed power supply cord kit marked for use with clothes dryers. The kit should contain:

- A UL listed 30 amp power supply cord, rated 120/240-volt minimum. The cord should be type SRD or SRDT and be at least 4 ft (1.22 m) long. The wires that connect to the dryer must end in ring terminals or spade terminals with upturned ends.
- A UL listed strain relief.

If your outlet looks like this:



4-wire receptacle (14-30R)

Then choose a 4-wire power supply cord with ring or spade terminals and UL listed strain relief. The 4-wire power supply cord, at least 4 ft (1.22 m) long, must have 4, 10-gauge copper wires and match a 4-wire receptacle of NEMA Type 14-30R. The ground wire (ground conductor) may be either green or bare. The neutral conductor must be identified by a white cover.

If your outlet looks like this:



3-wire receptacle (10-30R)

Then choose a 3-wire power supply cord with ring or spade terminals and UL listed strain relief. The 3-wire power supply cord, at least 4 ft (1.22 m) long, must have 3, 10-gauge copper wires and match a 3-wire receptacle of NEMA Type 10-30R.

If connecting by direct wire:

Power supply cable must match power supply (4-wire or 3-wire) and be:

- Flexible armored cable or nonmetallic sheathed copper cable (with ground wire), protected with flexible metallic conduit. All current-carrying wires must be insulated.
- 10-gauge solid copper wire (do not use aluminum).
- At least 5 ft (1.52 m) long.

GROUNDING INSTRUCTIONS

- For a grounded, cord-connected dryer:
This dryer must be grounded. In the event of malfunction or breakdown, grounding will reduce the risk of electric shock by providing a path of least resistance for electric current. This dryer uses a cord having an equipment-grounding conductor and a grounding plug. The plug must be plugged into an appropriate outlet that is properly installed and grounded in accordance with all local codes and ordinances.
- For a permanently connected dryer:
This dryer must be connected to a grounded metal, permanent wiring system, or an equipment-grounding conductor must be run with the circuit conductors and connected to the equipment-grounding terminal or lead on the dryer.

WARNING: Improper connection of the equipment-grounding conductor can result in a risk of electric shock. Check with a qualified electrician or service representative or personnel if you are in doubt as to whether the dryer is properly grounded. Do not modify the plug on the power supply cord: if it will not fit the outlet, have a proper outlet installed by a qualified electrician.

SAVE THESE INSTRUCTIONS

Power Supply Cord

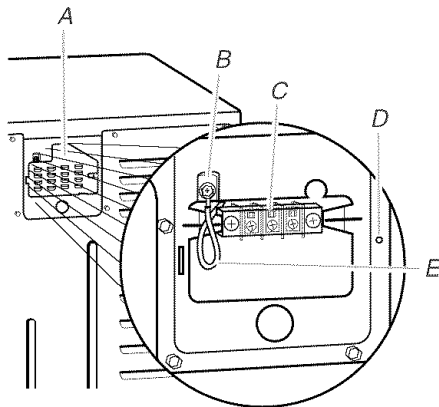
⚠ WARNING



Fire Hazard

Use a new UL listed 30 amp power supply cord.
 Use a UL listed strain relief.
 Disconnect power before making electrical connections.
 Connect neutral wire (white or center wire) to center terminal (silver).
 Ground wire (green or bare wire) must be connected to green ground connector.
 Connect remaining 2 supply wires to remaining 2 terminals (gold).
 Securely tighten all electrical connections.
 Failure to do so can result in death, fire, or electrical shock.

1. Disconnect power.
2. Remove the hold-down screw and terminal block cover.



- A. Terminal block cover
- B. External ground conductor screw
- C. Center, silver-colored terminal block screw
- D. Hold-down screw location
- E. Neutral grounding wire (green with yellow stripes)

Direct Wire

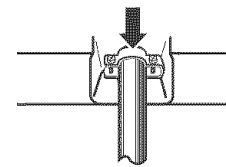
⚠ WARNING



Fire Hazard


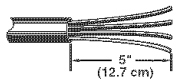

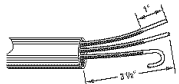
Use 10 gauge solid copper wire.
 Use a UL listed strain relief.
 Disconnect power before making electrical connections.
 Connect neutral wire (white or center wire) to center terminal (silver).
 Ground wire (green or bare wire) must be connected to green ground connector.
 Connect remaining 2 supply wires to remaining 2 terminals (gold).
 Securely tighten all electrical connections.
 Failure to do so can result in death, fire, or electrical shock.

3. Assemble a 3/4" (1.9 cm) UL listed strain relief (UL marking on strain relief) into the hole below the terminal block opening. Tighten strain relief screws just enough to hold the two clamp sections together. Put power supply cord through the strain relief. The strain relief should have a tight fit with the dryer cabinet and be in a horizontal position.



4. Now complete installation following instructions for your type of electrical connection:
 4-wire (recommended)
 3-wire (if 4-wire is not available)

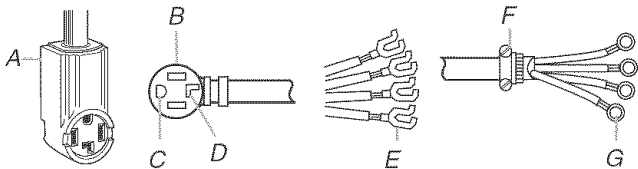
Electrical Connection Options

If your home has:	And you will be connecting to:	Go to Section
4-wire receptacle (NEMA Type 14-30R) 	A UL listed, 120/240 volt minimum, 30 amp, dryer power supply cord*	4-wire connection: Power supply cord
4-wire direct 	A fused disconnect or circuit breaker box*	4-wire connection: Direct Wire
3-wire receptacle (NEMA type 10-30R) 	A UL listed, 120/240 volt minimum, 30 amp, dryer power supply cord*	3-wire connection: Power supply cord
3-wire direct 	A fused disconnect or circuit breaker box*	3-wire connection: Direct Wire

*If local codes do not permit the connection of a frame-grounding conductor to the neutral wire, go to "Optional 3-wire connection" section.

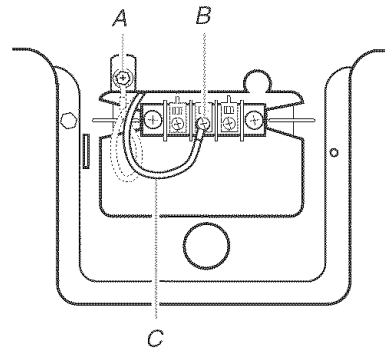
4-wire connection: Power supply cord

IMPORTANT: A 4-wire connection is required for mobile homes and where local codes do not permit the use of 3-wire connections.



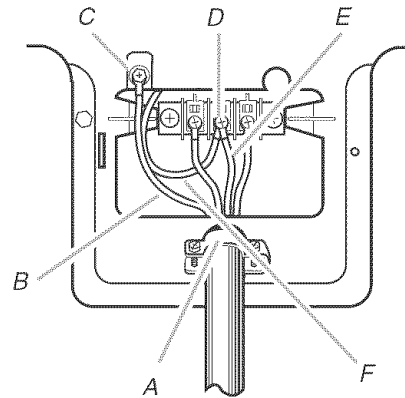
- A. 4-wire receptacle (NEMA type 14-30R)
- B. 4-prong plug
- C. Ground prong
- D. Neutral prong
- E. Spade terminals with upturned ends
- F. $\frac{3}{4}$ " (1.9 cm) UL listed strain relief
- G. Ring terminals

1. Remove center terminal block screw.
2. Remove neutral grounding wire (green with yellow stripes) from external ground conductor screw. Fasten it under center, silver-colored terminal block screw.



- A. External ground conductor screw - Dotted line shows position of NEUTRAL grounding wire before being moved to center terminal block screw
- B. Center silver-colored terminal block screw
- C. Green/yellow wire of harness

3. Connect ground wire (green or bare) of power supply cord to external ground conductor screw. Tighten screw.
4. Connect neutral wire (white or center wire) of power supply cord under center screw of the terminal block.



- A. $\frac{3}{4}$ " (1.9 cm) UL listed strain relief
- B. Ground wire (green or bare) of power supply cord
- C. External ground conductor screw
- D. Center silver-colored terminal block screw
- E. Neutral wire (white or center wire)
- F. Neutral grounding wire (green with yellow stripes)

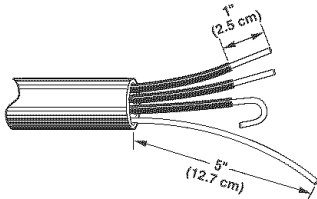
5. Connect the other wires to outer terminal block screws. Tighten screws.
6. Tighten strain relief screws.
7. Insert tab of terminal block cover into slot of dryer rear panel. Secure cover with hold-down screw.

4-wire connection: Direct Wire

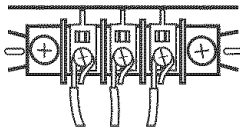
IMPORTANT: A 4-wire connection is required for mobile homes and where local codes do not permit the use of 3-wire connections.

Direct wire cable must have 5 ft (1.52 m) of extra length so dryer can be moved if needed.

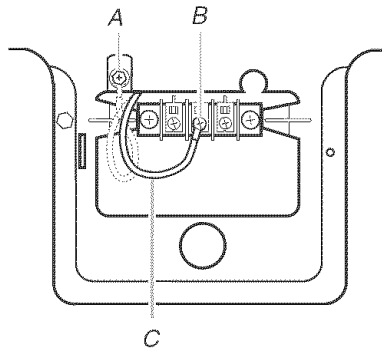
Strip 5" (12.7 cm) of outer covering from end of cable, leaving bare ground wire at 5" (12.7 cm). Cut 1½" (3.8 cm) from 3 remaining wires. Strip insulation back 1" (2.5 cm). Shape ends of wires into a hook shape.



When connecting to the terminal block, place the hooked end of the wire under the screw of the terminal block (hook facing right), squeeze hooked end together and tighten screw. See example below.



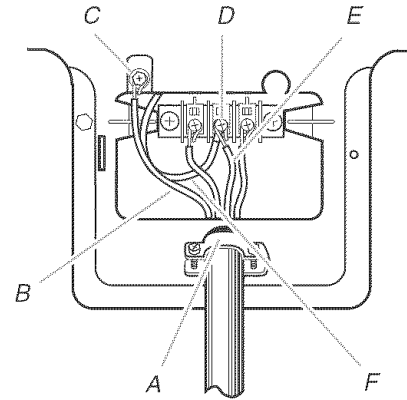
1. Remove center terminal block screw.
2. Remove neutral grounding wire (green with yellow stripes) from external ground conductor screw. Fasten it under center, silver-colored terminal block screw.



- A. External ground conductor screw - Dotted line shows position of NEUTRAL grounding wire before being moved to center terminal block screw
 B. Center silver-colored terminal block screw
 C. Green/yellow wire of harness

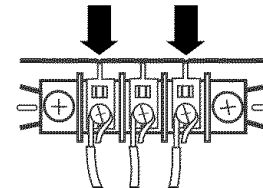
3. Connect ground wire (green or bare) of power supply cable to external ground conductor screw. Tighten screw.

4. Place the hooked end of the neutral wire (white or center wire) of power supply cable under the center screw of terminal block (hook facing right). Squeeze hooked end together. Tighten screw.



- A. ¼" (1.9 cm) UL listed strain relief
 B. Green or bare wire of power supply cable
 C. External ground conductor screw
 D. Center silver-colored terminal block screw
 E. Neutral wire (white or center wire)
 F. Neutral grounding wire (green with yellow stripes)

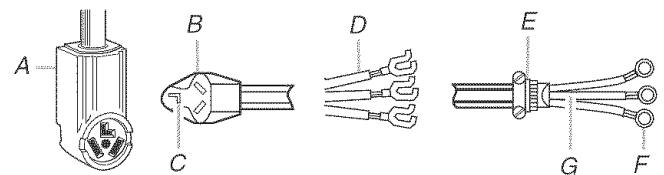
5. Place the hooked ends of the other power supply cable wires under the outer terminal block screws (hooks facing right). Squeeze hooked ends together. Tighten screws.



6. Tighten strain relief screws.
7. Insert tab of terminal block cover into slot of dryer rear panel. Secure cover with hold-down screw.

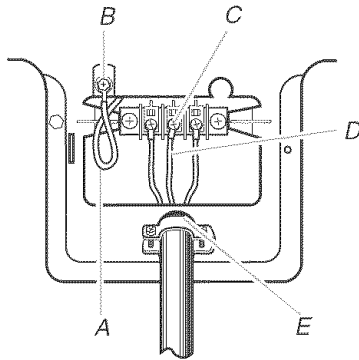
3-wire connection: Power supply cord

Use where local codes permit connecting cabinet-ground conductor to neutral wire.



- A. 3-wire receptacle (NEMA type 10-30R)
 B. 3-wire plug
 C. Neutral prong
 D. Spade terminals with up turned ends
 E. ¼" (1.9 cm) UL listed strain relief
 F. Ring terminals
 G. Neutral (white or center wire)

1. Loosen or remove center terminal block screw.
2. Connect neutral wire (white or center wire) of power supply cord to the center, silver-colored terminal screw of the terminal block. Tighten screw.



- A. Neutral grounding wire (green with yellow stripes)
- B. External ground conductor screw
- C. Center silver-colored terminal block screw
- D. Neutral wire (white or center wire)
- E. 3/4" (1.9 cm) UL listed strain relief

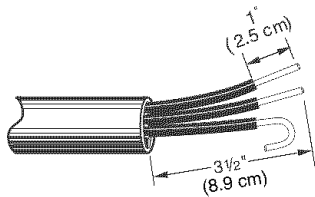
3. Connect the other wires to outer terminal block screws. Tighten screws.
4. Tighten strain relief screws.
5. Insert tab of terminal block cover into slot of dryer rear panel. Secure cover with hold-down screw.

3-wire connection: Direct Wire

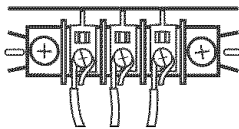
Use where local codes permit connecting cabinet-ground conductor to neutral wire.

Direct wire cable must have 5 ft (1.52 m) of extra length so dryer can be moved if needed.

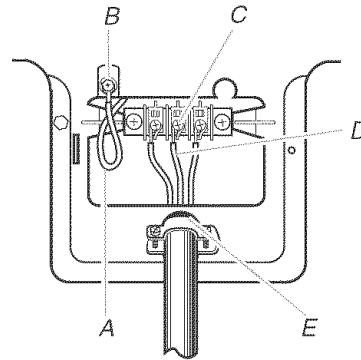
Strip 3 1/2" (8.9 cm) of outer covering from end of cable. Strip insulation back 1" (2.5 cm). If using 3-wire cable with ground wire, cut bare wire even with outer covering. Shape ends of wires into a hook shape.



When connecting to the terminal block, place the hooked end of the wire under the screw of the terminal block (hook facing right), squeeze hooked end together and tighten screw.

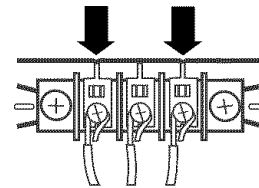


1. Loosen or remove center terminal block screw.
2. Place the hooked end of the neutral wire (white or center wire) of power supply cable under the center screw of terminal block (hook facing right). Squeeze hooked end together. Tighten screw.



- A. Neutral grounding wire (green with yellow stripes)
- B. External ground conductor screw
- C. Center silver-colored terminal block screw
- D. Neutral wire (white or center wire)
- E. 3/4" (1.9 cm) UL listed strain relief

3. Place the hooked ends of the other power supply cable wires under the outer terminal block screws (hooks facing right). Squeeze hooked ends together. Tighten screws.

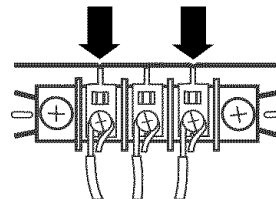


4. Tighten strain relief screws.
5. Insert tab of terminal block cover into slot of dryer rear panel. Secure cover with hold-down screw.

Optional 3-wire connection

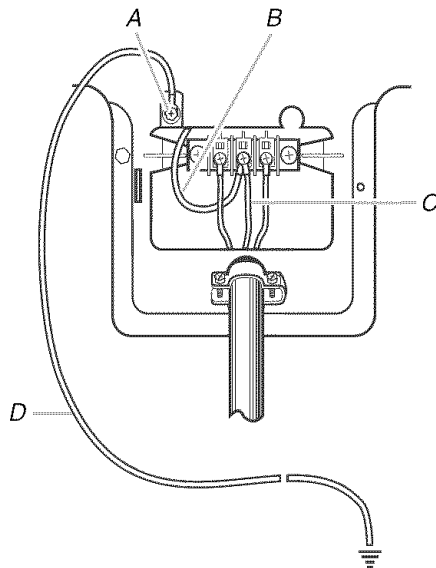
Use for direct wire or power supply cord where local codes do not permit connecting cabinet-ground conductor to neutral wire.

1. Remove center terminal block screw.
2. Remove neutral grounding wire (green with yellow stripes) from external ground conductor screw. Connect appliance ground wire and the neutral wire (white or center wire) of power supply cord/cable under center, silver-colored terminal block screw. Tighten screw.
3. Connect the other wires to outer terminal block screws. Tighten screws.



4. Tighten strain relief screws.
5. Insert tab of terminal block cover into slot of dryer rear panel. Secure cover with hold-down screw.

- Connect a separate copper ground wire from the external ground conductor screw to an adequate ground.



A. External ground conductor screw
 B. Neutral grounding wire (green/yellow)
 C. Neutral wire (white or center wire)
 D. Grounding path determined by a qualified electrician

- Use clamps to seal all joints. Exhaust vent must not be connected or secured with screws or other fastening devices which extend into the interior of the duct. Do not use duct tape.

IMPORTANT: Observe all governing codes and ordinances.

Improper venting can cause moisture and lint to collect indoors, which may result in:

- Moisture damage to woodwork, furniture, paint, wallpaper, carpets, etc.
- Housecleaning problems and health problems.

Use a heavy metal vent. Do not use plastic or metal foil vent. Rigid metal vent is recommended to prevent crushing and kinking.

Flexible metal vent must be fully extended and supported when the dryer is in its final position. Remove excess flexible metal vent to avoid sagging and kinking that may result in reduced airflow.

An exhaust hood should cap the vent to prevent rodents and insects from entering the home.

Exhaust hood must be at least 12" (30.5 cm) from the ground or any object that may be in the path of the exhaust (such as flowers, rocks or bushes, etc.).

If using an existing vent system, clean lint from the entire length of the system and make sure exhaust hood is not plugged with lint. Replace any plastic or metal foil vent with rigid metal or flexible metal vent.

Venting Requirements

⚠ WARNING

Fire Hazard

Use a heavy metal vent.

Do not use a plastic vent.

Do not use a metal foil vent.

Failure to follow these instructions can result in death or fire.

WARNING: To reduce the risk of fire, this dryer **MUST BE EXHAUSTED OUTDOORS.**

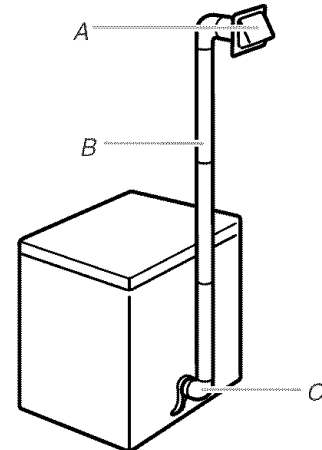
4" (10.2 cm) heavy metal exhaust vent and clamps must be used. DURASAFE™ venting products are recommended and are available from your local Sears store or Sears Service Center.

DURASAFE™ vent products can be purchased from your dealer. For further information, please call **1-800-4-MY-HOME® (1-800-469-4663)** or visit our Internet site at: **www.sears.com.**

- The dryer exhaust must not be connected into any gas vent, chimney, wall, ceiling, or a concealed space of a building.
- Do not use an exhaust hood with a magnetic latch.
- Do not install flexible metal vent in enclosed walls, ceilings or floors.

Plan Vent System

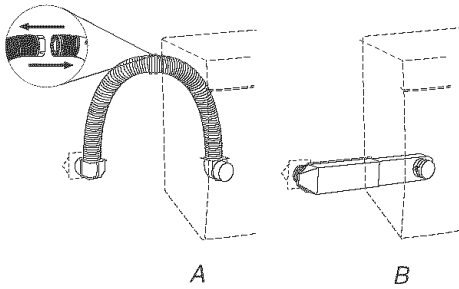
Typical installations vent the dryer from the rear of the dryer.



A. Exhaust hood
 B. Flexible metal vent or rigid metal vent
 C. Elbow

Alternate installations for close clearances

Venting systems come in many varieties. Select the type best for your installation. Two close-clearance installations are shown. Refer to the manufacturer's instructions provided with the vent system.



A. Over-The-Top installation (also available with one offset elbow)
B. Periscope installation

NOTE: The following kits for close clearance alternate installations are available for purchase. For ordering information please call **1-800-4-MY-HOME® (1-800-469-4663)**.

Over-The-Top Installation:

Part Number 4396028

Periscope Installation (for use with dryer vent to wall vent mismatch):

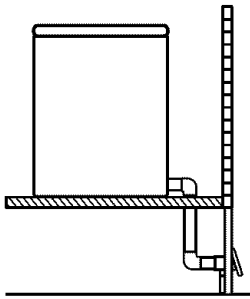
Part Number 4396037 - for mismatch of 0" (0 cm) to 18" (45.72 cm)

Part Number 4396011 - for mismatch of 18" (45.72 cm) to 29" (73.66 cm)

Part Number 4396014 - for mismatch of 29" (73.66 cm) to 50" (127 cm)

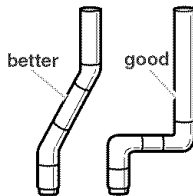
Special provisions for mobile home installations

The exhaust vent must be securely fastened to a noncombustible portion of the mobile home structure and must not terminate beneath the mobile home. Terminate the exhaust vent outside.



Determine vent length

1. Select the route that will provide the straightest and most direct path outdoors. Plan the installation to use the fewest number of elbows and turns. When using elbows or making turns, allow as much room as possible. Bend vent gradually to avoid kinking. Avoid 90° turns when possible.

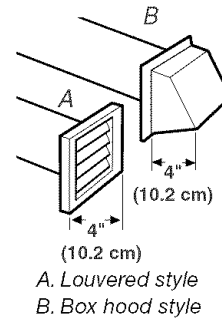


2. Determine vent length.

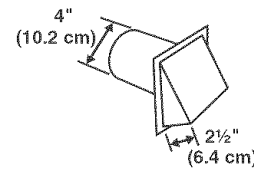
The maximum length of the exhaust system depends upon:

- The type of vent (rigid metal or flexible metal).
- The number of elbows used.
- Type of hood.

Recommended hood styles are shown here.



The angled hood style (shown following) is acceptable.



See the exhaust vent length chart that matches your hood type for the maximum vent lengths you can use.

Exhaust systems longer than specified will:

- Shorten the life of the dryer.
- Reduce performance, resulting in longer drying times and increased energy usage.

3. Determine the number of elbows you will need.

IMPORTANT: Do not use vent runs longer than specified in the Vent Length Chart.

In the column listing the type of metal vent you are using (rigid metal or flexible metal), find the maximum length of metal vent on the same line as the number of elbows.

Vent Length Chart

Number of 90° turns or elbows	Type of vent	Box or louvered hoods	Angled hoods
0	Rigid metal	36 ft (11 m)	26 ft (7.9 m)
	Flexible metal	28 ft (8.5 m)	22 ft (6.7 m)
1	Rigid metal	26 ft (7.9 m)	16 ft (4.9 m)
	Flexible metal	18 ft (5.5 m)	12 ft (3.7 m)
2	Rigid metal	16 ft (4.9 m)	6 ft (1.8 m)
	Flexible metal	8 ft (2.8 m)	2 ft (0.6 m)

Install Vent System

1. Install exhaust hood. Use caulking compound to seal exterior wall opening around exhaust hood.
2. Connect vent to exhaust hood. Vent must fit inside exhaust hood. Secure vent to exhaust hood with 4" (10.2 cm) clamp.
3. Run vent to dryer location. Use the straightest path possible. See "Determine vent length." Avoid 90° turns. Use clamps to seal all joints. Do not use duct tape, screws or other fastening devices that extend into the interior of the vent to secure vent.

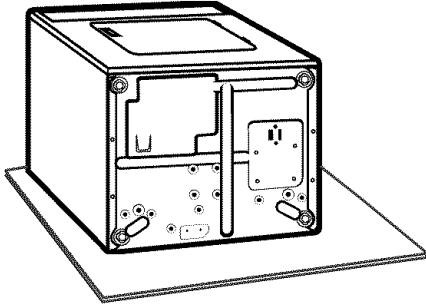
Install Leveling Legs

⚠ WARNING

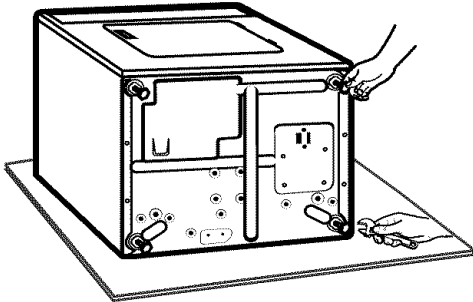
Excessive Weight Hazard

Use two or more people to move and install dryer.
Failure to do so can result in back or other injury.

1. To protect the floor, use a large flat piece of cardboard from the dryer carton. Place cardboard under the entire back edge of the dryer. See illustration.
2. Firmly grasp the body of the dryer (not the console panel). Gently lay the dryer on the cardboard.



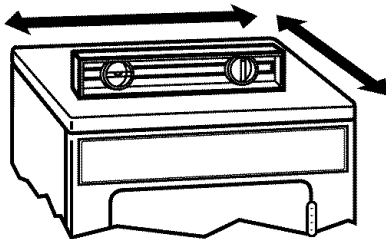
3. Start to screw the legs into the holes by hand. Use a wrench to finish turning the legs. They should stick out about 1" (2.5 cm).



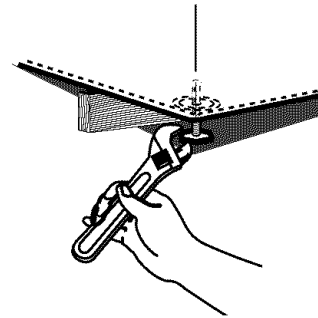
4. Place a carton corner post under each of the 2 dryer back corners. Stand the dryer up. Slide the dryer on the corner posts until it is close to its final position. Leave enough room to connect the exhaust vent.

Level Dryer

Check levelness of dryer. Check levelness first side to side, then front to back.



If dryer is not level, prop the dryer up using a wood block. Use a wrench to adjust the legs up or down and check again for levelness.



NOTE: It may be necessary to level the dryer again after it is moved into its final position.

Connect Vent

1. Using a 4" (10.2 cm) clamp, connect vent to exhaust outlet in dryer. If connecting to existing vent, make sure the vent is clean. The dryer vent must fit over the dryer exhaust outlet and inside the exhaust hood. Make sure the vent is secured to exhaust hood with a 4" (10.2 cm) clamp.
2. Move dryer into final position. Do not crush or kink vent. Make sure dryer is level.
3. (On gas models) Check to be sure there are no kinks in the flexible gas line.

Complete Installation

1. Check to be sure all parts are now installed. If there is an extra part, go back through the steps to see which step was skipped.
2. Check to be sure you have all of your tools.
3. Dispose of/recycle all packaging materials.
4. Check the dryer's final location. Be sure the vent is not crushed or kinked.
5. Check to be sure the dryer is on a level surface.
6. Plug into a grounded 3 prong outlet. Turn power on.
7. Remove the blue protective film on the console and any tape remaining on the dryer. Remove tape from the lint screen (located on inside back wall of dryer).
8. Read "Dryer Use."
9. Wipe the dryer drum interior thoroughly with a damp cloth to remove any dust.
10. To test the dryer, set the dryer on a full heat cycle (not an air cycle) for 20 minutes and start the dryer.

If the dryer will not start, check the following:

- Controls are set in a running or "On" position.
- Push to Start button has been firmly pressed.
- Dryer is plugged into a grounded 3 prong outlet.
- Electrical supply is connected.
- House fuse is intact and tight, or circuit breaker has not tripped.
- Dryer door is closed.

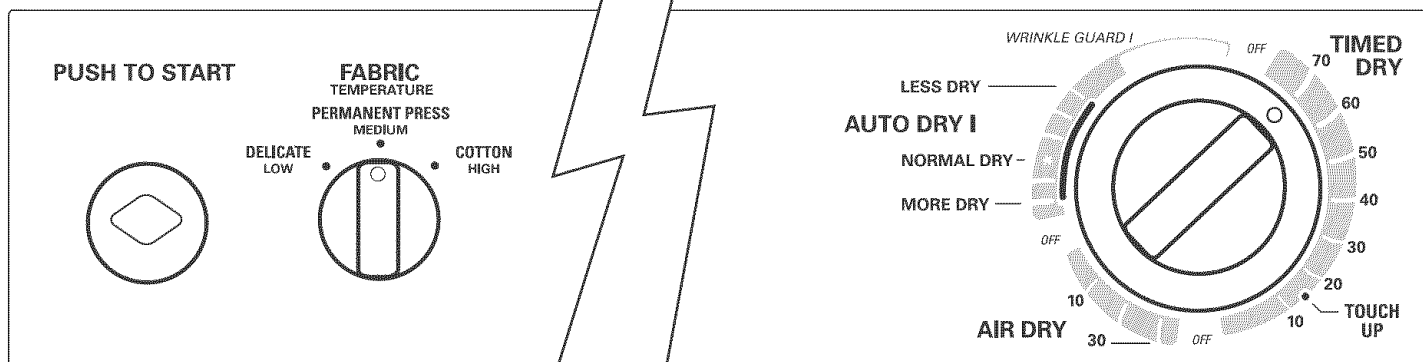
11. When the dryer has been running for 5 minutes, open the dryer door and feel for heat.

If you do not feel heat, check the following:

- Controls are set on a heated cycle, not an air cycle.

NOTE: You may notice a burning odor when dryer is first heated. This odor is common when the heating element is first used. The odor will go away.

DRYER USE



Starting Your Dryer

⚠ WARNING



Explosion Hazard

Keep flammable materials and vapors, such as gasoline, away from dryer.

Do not dry anything that has ever had anything flammable on it (even after washing).

Failure to follow these instructions can result in death, explosion, or fire.

⚠ WARNING



Fire Hazard

No washer can completely remove oil.

Do not dry anything that has ever had any type of oil on it (including cooking oils).

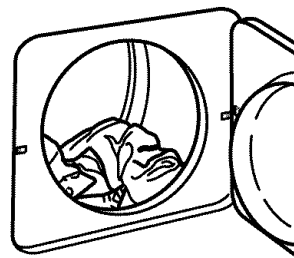
Items containing foam, rubber, or plastic must be dried on a clothesline or by using an Air Cycle.

Failure to follow these instructions can result in death or fire.

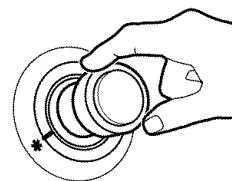
WARNING: To reduce the risk of fire, electric shock, or injury to persons, read the IMPORTANT SAFETY INSTRUCTIONS before operating this appliance.

Before using your dryer, wipe the dryer drum with a damp cloth to remove dust from storing and shipping.

1. Clean the lint screen before or after each cycle. See "Cleaning the Lint Screen."
2. Load clothes loosely into the dryer and close the door. Do not pack the dryer. Allow space for clothes to tumble freely.



3. Turn the Cycle Control knob to the recommended cycle for the type of load being dried. See "Drying, Cycle, and Temperature Tips."



4. Set the Fabric Temperature Control knob to the recommended cycle for the type of load being dried. See "Fabric Temperature Control."
5. Press the PUSH TO START button.

Stopping and Restarting

You can stop your dryer any time during a cycle.

To stop your dryer

Open the dryer door or turn the Cycle Control knob to OFF.

NOTE: The Cycle Control knob should point to an Off area when the dryer is not in use.

To restart your dryer

1. Close the door.
2. Select a new cycle and temperature (if desired).
3. Press the PUSH TO START button.

Loading

Load clothes loosely into the dryer. Do not pack the dryer. Allow space for clothes to tumble freely. The following chart shows the maximum load you can place in your compact dryer. Expect longer drying times.

Heavy work clothes	2 pair of pants, 3 work shirts
Delicates	1 camisole, 2 slips, 4 undergarments, 1 set of sleepwear, 1 half slip
Towels	9 bath towels; or 6 bath towels, 3 hand towels, 6 washcloths
Mixed Load	2 pillowcases, 1 T-shirt, 2 shirts, 1 pair slacks
Knits	2 slacks, 2 shirts; or 3 dresses
Perm. Press	6 shirts; or 2 double sheets & 2 pillowcases; or 2 singles sheets & 2 pillowcases

Drying, Cycle, and Temperature Tips

Select the correct cycle and temperature for your load.

Your dryer tumbles the load without heat during the last few minutes of all cycles to make the load easier to handle.

Drying tips

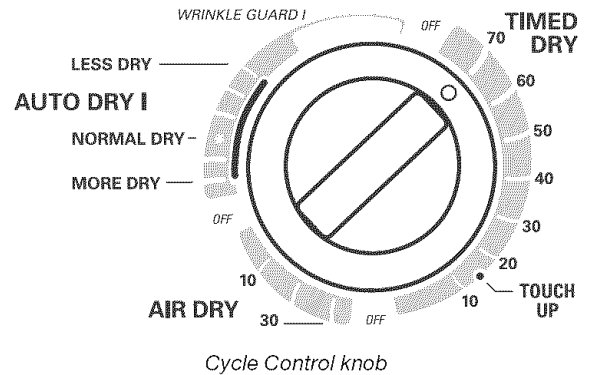
- Follow care label directions when they are available.
- If desired, add a fabric softener sheet. Follow package instructions.
- Remove the load from the dryer as soon as tumbling stops to reduce wrinkling. This is especially important for permanent press, knits, and synthetic fabrics.

Cycle and temperature tips

- Dry most loads using Normal Dry (*).
- Use a no heat (air) setting for rubber, plastic, or heat-sensitive fabrics.
- Line dry bonded or laminated fabrics.

NOTE: If you have questions about drying temperatures for various loads, refer to the care label directions.

Cycles



Auto Dry I

Auto Dry I may be used for most loads. This automatic cycle gives the best drying results in the shortest time. Drying time varies according to the type of fabric, size of the load, and dryness setting.

The Cycle Control knob may be set to NORMAL DRY (*), which is good for most fabrics. At the end of the cycle, you may check the dryness of the load.

- If the load is drier than you like, you may select a setting closer to Less Dry the next time you dry a similar load.
- If a load is not as dry as you like, you may complete drying using a Timed cycle. You may select a setting closer to More Dry the next time you dry a similar load.

Dryness is determined by thermostats that react to the amount of moisture in the air exhausted from the dryer. Moist air indicates that clothes are still damp. Dry air indicates that moisture has been removed.

Timed Dry

Use this cycle to get up to 70 minutes of heated drying time or to complete drying if items are still damp after the automatic cycle. Approximately 10 minutes before the end of the automatic cycle, clothes are tumbled without heat to help reduce wrinkles and make clothes easier to handle.

Timed Dry is also useful for:

- Heavyweight items and work clothes that require a long drying time.
- Lightweight items, such as lingerie, blouses and knits that require a short drying time.

Touch Up

This cycle may be used to smooth synthetic and permanent press clothes that are clean but wrinkled from being crowded in a closet or suitcase. This setting provides approximately 15 minutes of heated tumbling followed by a cool down period of up to 10 minutes. Remove clothes immediately when tumbling stops.

Air Dry

Use this cycle to get up to 30 minutes of drying time in room temperature air. This setting may be used for items such as plastics, rubber and heat-sensitive fabrics.

See the following chart for examples of items that can be dried using an air cycle.

Type of Load	Time*
Foam rubber - pillows, padded bras, stuffed toys	20 - 30
Plastic - shower curtains, tablecloths	20 - 30
Rubber-backed rugs	40 - 50
Olefin, polypropylene, sheer nylon	10 - 20

*(Minutes). Reset cycle to complete drying, if needed.

When using an air cycle

- Check to see that coverings are securely stitched.
- Shake and fluff pillows by hand periodically during cycle.
- Dry item completely. Foam rubber pillows are slow to dry.

End of Cycle Signal

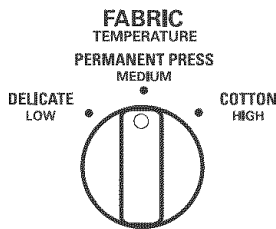
The dryer sounds a signal to let you know when the cycle is finished. The signal is not adjustable and cannot be turned off. The signal is helpful when you are drying permanent press, synthetics, and other items that should be taken out as soon as the dryer stops.

WRINKLE GUARD® I

WRINKLE GUARD® I helps prevent wrinkles that form when clothes are not removed promptly at the end of a cycle. WRINKLE GUARD® I periodically starts and stops the dryer, tumbling the load without heat for 30 minutes, unless you open the dryer door.

During WRINKLE GUARD® I, the End of Cycle Signal will sound every 5 minutes unless the signal is turned off.

Fabric Temperature Control



Fabric Temperature Control knob

Use the Fabric Temperature Control knob to select the drying temperature that matches the fabric in your load.

- Select LOW for delicate fabrics.
- Select MEDIUM for permanent press, synthetics and blends.
- Select HIGH for durable fabrics, such as sturdy work clothes or bath towels.

NOTE: The Fabric Temperature Control will not work when the Cycle Control knob is set to the Air Dry cycle.

The following table lists suggested auto dry or timed dry settings for various loads. This is only a guide.

FABRIC/TEMPERATURE	LOAD TYPE	AUTO MOISTURE SETTING	TIMED DRY SETTING*
COTTON High	Heavyweight items - quilts, towels, jeans, cottons, bedspreads	More Dry	50 - 70 minutes
PERMANENT PRESS Medium	Medium weight items - shirts, sheets, slacks, play clothes, diapers, synthetics (polyester, acrylic, etc.)	Normal Dry	30 - 50 minutes
DELICATE Low	Lightweight items - lingerie, blouses, dresses, synthetics, and blends	Less Dry	20 - 30 minutes

DRYER CARE

Cleaning the Dryer Location

Keep dryer area clear and free from items that would obstruct the flow of combustion and ventilation air.

⚠ WARNING



Explosion Hazard

Keep flammable materials and vapors, such as gasoline, away from dryer.

Place dryer at least 18 inches (46 cm) above the floor for a garage installation.

Failure to do so can result in death, explosion, or fire.

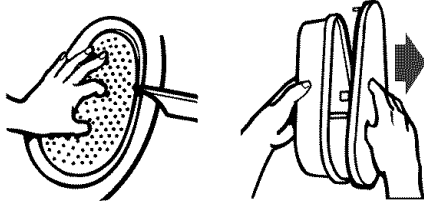
Cleaning the Lint Screen

Every load cleaning

The lint screen is located inside the dryer drum, on the back wall. Clean it before each load. A screen blocked by lint can increase drying time.

To clean

1. Open the door and pull the lint screen straight out.



2. Squeeze body of lint screen lightly while pulling off the cover.
3. Roll lint off the screen with your fingers. Do not rinse or wash screen to remove lint. Wet lint is hard to remove.
4. Replace cover on lint screen body. Push the lint screen firmly back into place and close the door.

IMPORTANT:

- Do not run the dryer with the lint screen loose, damaged, blocked, or missing. Doing so can cause overheating and damage to both the dryer and fabrics.
- Some towels made of synthetic fibers and natural fibers (polyester and cotton blends) may shed more lint than other towels, causing your dryer's lint screen to fill up faster. Be sure to remove lint from the lint screen before and after drying new towels.

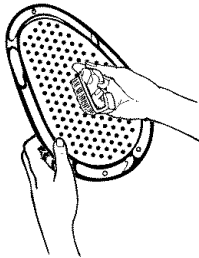
As needed cleaning

Laundry detergent and fabric softener residue can build up on the lint screen. This buildup can cause longer drying times for your clothes, or cause the dryer to stop before your load is completely dry. The screen is probably clogged if lint falls off the screen.

Clean the lint screen with a nylon brush every six months, or more frequently if it becomes clogged due to a residue buildup.

To wash

1. Roll lint off the screen with your fingers.
2. Wet both the lint screen cover and body with hot water.
3. Wet a nylon brush with hot water and liquid detergent. Scrub lint screen cover and body with the brush to remove residue buildup.



4. Rinse with hot water.
5. Thoroughly dry lint screen body and cover with a clean towel. Replace in dryer.

Cleaning the Dryer Interior

To clean dryer drum

1. Make a paste with powdered laundry detergent and very warm water.
2. Apply paste to a soft cloth.
OR
Apply a liquid, nonflammable household cleaner to the stained area and rub with a soft cloth until all excess dye is removed.
3. Wipe drum thoroughly with a damp cloth.
4. Tumble a load of clean cloths or towels to dry drum.

NOTE: Garments which contain unstable dyes, such as denim blue jeans or brightly colored cotton items, may discolor the dryer interior. These stains are not harmful to your dryer and will not stain future loads of clothes. Dry unstable dye items inside-out to prevent dye transfer.

Removing Accumulated Lint

From Inside the Dryer Cabinet

Lint should be removed every 2 years, or more often, depending on dryer usage. Cleaning should be done by a qualified person.

From the Exhaust Vent

Lint should be removed every 2 years, or more often, depending on dryer usage.

Vacation and Moving Care

Vacation care

Operate your dryer only when you are at home. If you will be on vacation or not using your dryer for an extended period of time, you should:

1. Unplug dryer or disconnect power.
2. Clean lint screen. See "Cleaning the Lint Screen."

Moving care

⚠ WARNING



Electrical Shock Hazard

Disconnect power before servicing.

Replace all parts and panels before operating.

Failure to do so can result in death or electrical shock.

1. Unplug the power supply cord. Disconnect wiring if dryer is direct wired.
2. Make sure leveling legs are secure in dryer base.
3. Use masking tape to secure dryer door.

TROUBLESHOOTING

First try the solutions suggested here and possibly avoid the cost of a service call...

Clothes are not drying satisfactorily

- **The compact dryer operates at a lower wattage. Expect longer drying times.**
- **Check the following:**
 - Is the lint screen clogged with lint?
 - Is the exhaust vent or outside exhaust hood clogged with lint, restricting air movement? Run the dryer for 5-10 minutes. Hold your hand under the outside exhaust hood to check air movement. If you do not feel air movement, clean exhaust system of lint or replace exhaust vent with heavy metal or flexible metal vent. See "Installation Instructions."
 - Is the exhaust vent crushed or kinked? Replace with heavy metal or flexible metal vent. See "Installation Instructions."
 - Has an air dry cycle been selected? Select the right cycle for the types of garments being dried. See "Drying, Cycle, and Temperature Tips."
 - Are fabric softener sheets blocking the grille? Use only one fabric softener sheet and only use it once.
 - Is the automatic cycle ending early? This cycle will end early if dryer load is not contacting the sensor strips. Level the dryer. See "Installation Instructions."
- **Is the dryer located in a room with temperature below 45°F (7°C)?**

Proper operation of dryer cycles requires temperatures above 45°F (7°C).
- **Was a cold rinse water used? Was the load very wet?**

Expect longer drying times with items rinsed in cold water and with items that hold moisture (cottons).
- **Is the load too large and heavy to dry quickly?**

Separate the load to tumble freely.

Dryer will not run

- **Check the following:**
 - Is the power cord plugged into a grounded 3 prong outlet?
 - Has a fuse blown, or has a circuit breaker tripped?
 - Was a regular fuse used? Use a time-delay fuse.
 - Is the dryer door firmly closed?
 - Was the PUSH TO START button firmly pressed?
 - Is a cycle selected?

Unusual sounds

- **Has the dryer had a period of non-use?**

If the dryer hasn't been used for a while, there may be a thumping sound during the first few minutes of operation.

Lint on load

- **Is the lint screen clogged?**

Clean lint screen. Check for air movement.
- **Is the load properly sorted?**

Sort lint givers (towels, chenille) from lint takers (corduroy, synthetics). Also sort by color.

- **Is the load too big or too heavy?**

Dry smaller loads so lint can be carried to the lint screen.
- **Was the load overdried?**

Use correct dryer settings for load type. Overdrying can cause lint-attracting static electricity. See "Drying, Cycle, and Temperature Tips."
- **Was paper or tissue left in pockets?**
- **Is pilling being mistaken for lint?**

Pilling (surface fuzz) is caused by normal wear and laundering.

Stains on load or color change

- **Was dryer fabric softener properly used?**

Add dryer fabric softener sheets at the beginning of the cycle. Fabric softener sheets added to a partially dried load can stain your garments.
- **Were items soiled when placed in the dryer?**

Items should be clean before being dried.
- **Were items properly sorted?**

Sort light colors from dark colors. Sort colorfast items from noncolorfast items.

Items shrinking

- **Was the dryer overloaded?**

Dry smaller loads that can tumble freely.
- **Did the load overdry?**

Check the manufacturer's care label. Match dryer setting to load type. See "Drying, Cycle, and Temperature Tips."

Loads are wrinkled

- **Was the load removed from dryer at the end of the cycle?**
- **Was the dryer overloaded?**

Dry smaller loads that can tumble freely.
- **Did the load overdry?**

Check the manufacturer's care label. Match dryer setting to load type. See "Drying, Cycle, and Temperature Tips."

Odors

- **Have you recently been painting, staining, or varnishing in the area where your dryer is located?**

If so, ventilate the area. When the odors or fumes are gone from the area, rewash and dry the clothing.
- **Is the dryer being used for the first time?**

The new electric heating element may have an odor. The odor will be gone after the first cycle.

Garment damage

- **Check the following:**
 - Were zippers, snaps, and hooks left open?
 - Were strings and sashes tied to prevent tangling?
 - Were care label instructions followed?
 - Were items damaged before drying?

ÍNDICE

CONTRATOS DE PROTECCIÓN.....	20
GARANTÍA.....	21
SEGURIDAD DE LA SECADORA.....	22
INSTRUCCIONES DE INSTALACIÓN.....	23
Herramientas y piezas.....	23
Requisitos de ubicación.....	23
Requisitos eléctricos.....	24
Conexión eléctrica.....	26
Requisitos de ventilación.....	30
Planificación del sistema de ventilación.....	30
Instalación del sistema de ventilación.....	32
Instalación de las patas niveladoras.....	32
Nivelación de la secadora.....	33
Conexión del ducto de escape.....	33
Complete la instalación.....	33
USO DE LA SECADORA.....	34
Puesta en marcha de su secadora.....	34
Para detener y volver a poner en marcha.....	34
Cómo cargar la secadora.....	35
Consejos de secado, ciclos y temperatura.....	35
Ciclos.....	35
Control de tela/temperatura.....	36
CUIDADO DE LA SECADORA.....	37
Limpieza del lugar donde está la secadora.....	37
Limpieza del filtro de pelusa.....	37
Limpieza del interior de la secadora.....	37
Eliminación de pelusa acumulada.....	38
Cuidado para las vacaciones y la mudanza.....	38
SOLUCIÓN DE PROBLEMAS.....	38
NÚMEROS DE SERVICIO.....	CONTRAPORTADA

CONTRATOS DE PROTECCIÓN

Contratos Maestros de Protección

¡Felicitaciones por su inteligente adquisición! Su nuevo producto Kenmore® ha sido diseñado y fabricado para brindarle años de funcionamiento confiable. Pero al igual que todos los productos, puede necesitar mantenimiento preventivo o reparación de vez en cuando. Es allí donde el Contrato Maestro de Protección puede ahorrarle dinero e inconvenientes.

Adquiera un Contrato Maestro de Protección hoy y protéjase contra molestias y gastos inesperados.

El Contrato Maestro de Protección también ayuda a prolongar la vida de su nuevo producto. He aquí lo que se incluye en el Contrato:

- ✓ **Servicio experto** por nuestros 12.000 especialistas en reparación competentes
- ✓ **Servicio ilimitado y gratuito** para repuestos y mano de obra en todas las reparaciones protegidas por el contrato
- ✓ **Garantía "sin disgustos"** - reemplazo de su producto protegido si ocurren cuatro o más fallas del producto en el transcurso de doce meses
- ✓ **Reemplazo del producto** si su producto protegido no puede ser reparado
- ✓ **Revisión Anual de Mantenimiento Preventivo** a solicitud suya - sin costo adicional
- ✓ **Ayuda rápida por teléfono** - asistencia por teléfono a cargo de un técnico de Sears para productos que deban ser reparados en su hogar, además de un horario de reparación conveniente
- ✓ **Protección de sobrevoltaje** contra daños eléctricos debido a fluctuaciones de electricidad
- ✓ **Reembolso de la renta** si la reparación de su producto protegido tarda más de lo prometido

Una vez adquirido el Contrato, tan sólo tiene que llamar para fijar la visita de servicio técnico. Usted puede llamar a cualquier hora, de día o de noche, o fijar una visita técnica en internet.

Sears cuenta con un equipo de más de 12.000 especialistas en reparación competentes, quienes tienen a disposición más de 4,5 millones de repuestos y accesorios de calidad. Ése es el tipo de profesionalismo con el que usted puede contar para ayudarlo a prolongar la vida de su nuevo artefacto por muchos años más. ¡Adquiera hoy su Contrato Maestro de Protección!

Se aplican algunas limitaciones y exclusiones. Para obtener precios e información adicional, llame al 1-800-827-6655.

Servicio de Instalación de Sears

Para la instalación profesional de Sears de artefactos electrodomésticos, abridores de puertas de garaje, calentadores de agua y otros artículos importantes de la casa, en los EE.UU. llame al **1-800-4-MY-HOME®**.

GARANTÍA

Garantía completa de un año para las piezas mecánicas y componentes eléctricos

Durante un año a partir de la fecha de compra, si se instala y pone en funcionamiento la secadora de conformidad con las instrucciones proporcionadas en este Manual de Uso y Cuidado, Sears reparará esta secadora, gratuitamente, si tuviese defectos en el material o la mano de obra.

NOTA: El empleo de un ducto de escape de plástico para esta secadora puede anular esta garantía. Consulte la sección de "Instrucciones de instalación" para obtener información completa sobre los requisitos de ventilación para esta secadora.

Restricción de la garantía

Si se somete a esta secadora a un uso ajeno al doméstico privado, la cobertura de las garantías arriba citadas quedan restringidas a sólo 90 días.

Servicio de reparación de la garantía

El servicio de reparación de la garantía está a su disposición al contactarse con el Centro de Servicio Sears más cercano. Esta garantía corresponde sólo mientras se use el producto en los Estados Unidos.

Esta garantía le otorga derechos legales específicos y es posible que usted tenga también otros derechos que pueden variar de un estado a otro.

Para obtener información respecto a la garantía de Sears o para ponerse en contacto con un Centro de Servicio de Sears, sírvase tomar como referencia los números de servicio técnico ubicados en la contraportada del manual.

**Sears, Roebuck and Co.
D/817WA, Hoffman Estates, IL 60179**

Registro del producto

Use el espacio a continuación para anotar el número completo del modelo y de la serie, así como la fecha de compra. Usted podrá encontrar esta información en la etiqueta con el número de modelo y de serie, en la cavidad interna superior de la puerta de la secadora.

Siempre que se ponga en contacto con Sears respecto a su electrodoméstico, tenga esta información a mano para facilitar la obtención de ayuda o servicio técnico.

Número de modelo **110**. _____

Número de serie _____

Fecha de compra _____

Guarde estas instrucciones y su comprobante de compra para referencia futura.

SEGURIDAD DE LA SECADORA

Su seguridad y la seguridad de los demás es muy importante.

Hemos incluido muchos mensajes importantes de seguridad en este manual y en su electrodoméstico. Lea y obedezca siempre todos los mensajes de seguridad.



Este es el símbolo de advertencia de seguridad.

Este símbolo le llama la atención sobre peligros potenciales que pueden ocasionar la muerte o una lesión a usted y a los demás.

Todos los mensajes de seguridad irán a continuación del símbolo de advertencia de seguridad y de la palabra "PELIGRO" o "ADVERTENCIA". Estas palabras significan:

! PELIGRO

Si no sigue las instrucciones de inmediato, usted puede morir o sufrir una lesión grave.

! ADVERTENCIA

Si no sigue las instrucciones, usted puede morir o sufrir una lesión grave.

Todos los mensajes de seguridad le dirán el peligro potencial, le dirán cómo reducir las posibilidades de sufrir una lesión y lo que puede suceder si no se siguen las instrucciones.

INSTRUCCIONES IMPORTANTES DE SEGURIDAD

ADVERTENCIA: A fin de reducir el riesgo de incendio, descarga eléctrica o de daño a las personas que usen la secadora, deben seguirse las precauciones básicas, incluidas las siguientes:

- Lea todas las instrucciones antes de usar la secadora.
- No coloque los objetos expuestos a aceite para cocinar en su secadora. Los objetos expuestos a aceites para cocinar pueden contribuir a una reacción química que podría causar que una carga se inflame.
- No seque artículos que ya se hayan limpiado, lavado, remojado o manchado con gasolina, disolventes de limpieza en seco, u otras sustancias inflamables o explosivas ya que despiden vapores que pueden encenderse o causar una explosión.
- No permita que jueguen los niños sobre o dentro de la secadora. Es necesaria la cuidadosa vigilancia de los niños toda vez que se use la secadora cerca de ellos.
- Quite la puerta de la secadora al compartimiento de secado antes de ponerla fuera de funcionamiento o de descartarla.
- No introduzca las manos en la secadora cuando el tambor está en movimiento.
- No instale o almacene esta secadora donde estará expuesta a agua o a la intemperie.
- No trate de forzar los controles.
- No repare o reemplace ninguna pieza de la secadora ni trate de repararla a menos que esto se recomiende específicamente en el Manual del propietario o en instrucciones de reparación publicadas para el usuario que usted comprenda y sólo si cuenta con la experiencia necesaria para llevar a cabo dicha reparación.
- No utilice suavizadores de tejidos o productos para eliminar el estático de prendas a menos que lo recomiende el fabricante del suavizador de tejidos o las instrucciones del producto en uso.
- No utilice calor para secar prendas que contengan espuma de caucho o materiales de caucho con textura similar.
- Limpie el filtro de pelusa antes o después de cada carga de ropa.
- Mantenga el área alrededor de la apertura de ventilación y las áreas adyacentes a esta apertura sin pelusa, polvo o tierra.
- La parte interior de la secadora y el ducto de escape se deben limpiar periódicamente. Esta limpieza la debe llevar a cabo un reparador calificado.
- Vea la instrucciones de instalación para los requisitos de conexión a tierra.

GUARDE ESTAS INSTRUCCIONES

INSTRUCCIONES DE INSTALACIÓN

Herramientas y piezas

Herramientas para adquirir

Reúna las herramientas y piezas necesarias antes de comenzar la instalación. Lea y siga las instrucciones provistas con cualquiera de las herramientas enlistadas aquí.

- Destornillador de hoja plana
- Destornillador Phillips # 2
- Nivel
- Llave de tuercas ajustable
- Llave de tuercas de 1/4"
- Desforrador de alambre (instalaciones de cableado directo)
- Bloque de madera
- Pistola y masilla para calafateo (para instalar la nueva ventilación de escape)
- Tijeras de lata (instalaciones del nuevo ducto de escape)
- Abrazaderas para ducto

Piezas suministradas

Retire el paquete de piezas del tambor de la secadora. Verifique que estén todas las piezas.

- 3 - Perillas de la consola
- 4 - Patas niveladoras

Piezas para adquirir

Verifique los códigos locales, verifique el suministro eléctrico existente y la ventilación y vea "Requisitos de ventilación" y "Requisitos eléctricos" antes de comprar las piezas.

Las instalaciones en casas rodantes necesitan artículos de ferretería para sistemas de ventilación de metal que se pueden comprar en su tienda Sears o en el centro de servicio técnico Sears de su localidad. Para más información, llame por favor al 1-800-4-MY-HOME® (1-800-469-4663).

Requisitos de ubicación

⚠ ADVERTENCIA



Peligro de Explosión

Mantenga los materiales y vapores inflamables, como la gasolina, lejos de la secadora.

Coloque la secadora a un mínimo de 46 cm sobre el piso para la instalación en un garaje.

No seguir estas instrucciones puede ocasionar la muerte, explosión o incendio.

Usted necesitará

- Una ubicación que permita una instalación adecuada del ducto de escape. Consulte "Requisitos de ventilación".
- Un circuito separado de 30 amperios.

- Un contacto con conexión a tierra ubicado a unos 2 pies (61 cm) de cualquiera de los lados de la secadora. Vea "Requisitos eléctricos".
- Un piso resistente para soportar la secadora con un peso total (secadora y carga) de 115 lbs (52 kgs). Asimismo se debe considerar el peso de otro artefacto que la acompañe.
- Un piso nivelado con un declive máximo de 1" (2,5 cm) debajo de la secadora completa.

No ponga a funcionar su secadora a temperaturas inferiores a 45°F (7°C). A temperaturas inferiores, es posible que la secadora no se apague al final de un ciclo automático. Los tiempos de secado pueden prolongarse.

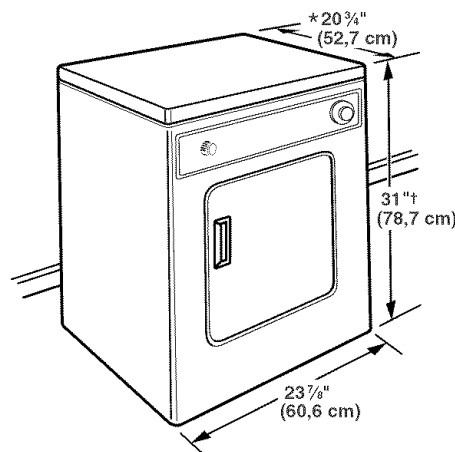
No debe instalarse ni guardarse la secadora en un área en donde pueda estar expuesta al agua y/o a la intemperie.

Verifique los requisitos de los códigos. Algunos códigos limitan, o no permiten, la instalación de la secadora en garajes, clósets, casas rodantes o en dormitorios. Póngase en contacto con el inspector de construcciones de su localidad.

Espacios para la Instalación

La ubicación debe ser lo suficientemente grande para poder abrir completamente la puerta de la secadora.

Dimensiones de la secadora



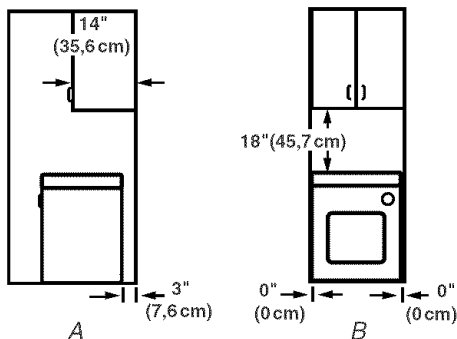
* La mayoría de las instalaciones requieren un espacio libre mínimo de 5 1/2" (14 cm) detrás de la secadora para acomodar el ducto de escape con codo. Vea "Requisitos de ventilación".

Espacio mínimo para la instalación en un lugar empotrado o en un clóset

- Las siguientes dimensiones ilustradas son para el espacio mínimo permitido cuando la secadora funcione con o sin el Juego de Pedestales para Apilar (Stack Stand Kit). Para comprar un Juego de Pedestales para Apilar, sírvase llamar al 1-800-4 MY-HOME® (1-800-469-4663).

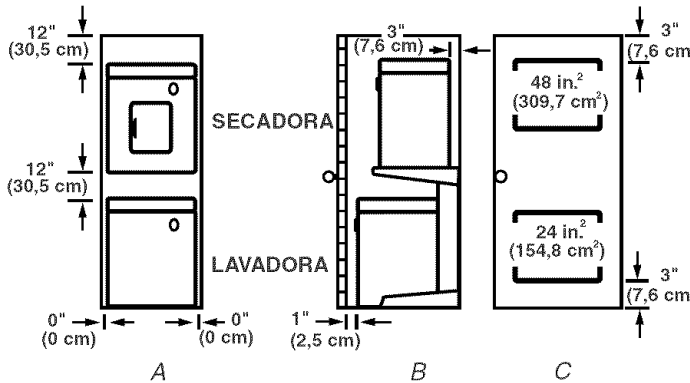
- Debe considerarse el espacio adicional para facilitar la instalación y el servicio técnico.
- Se podrían necesitar espacios libres adicionales para la pared y las molduras de la puerta y del piso.
- Se recomienda un espacio adicional de 1" (2,5 cm) en todos los lados de la secadora para reducir la transferencia de ruido.
- Para la instalación en clóset, con una puerta, se requieren aberturas de ventilación mínimas en la parte superior e inferior de la puerta. Se aceptan puertas tipo persianas con aberturas de ventilación equivalentes.
- También se debe considerar espacio adicional para otro electrodoméstico que le acompañe.

Instalación en un clóset o lugar empotrado - Solamente secadora



A. Vista lateral - clóset o lugar confinado
B. Lugar empotrado

Instalación en un clóset o lugar empotrado - Apiladas



A. Lugar empotrado
B. Vista lateral - clóset o lugar confinado
C. Puerta del clóset con orificios de ventilación

Requisitos de instalación adicionales para las casas rodantes

Esta secadora es apropiada para instalaciones en casas rodantes. La instalación debe ajustarse al Estándar de seguridad y construcción de casas fabricadas, Título 24 CFR, Parte 3280 (anteriormente conocido como Estándar federal para la seguridad y construcción de casas rodantes, Título 245, HUD Parte 280).

Las instalaciones en casas rodantes necesitan:

- Artículos de ferretería para sistemas de ventilación de metal que se pueden comprar en su tienda Sears o en el centro de servicio técnico Sears de su localidad.
- Se deben tomar medidas especiales en el caso de casas rodantes para introducir el aire del exterior en la secadora. La abertura (como la de una ventana adyacente) deberá ser por lo menos el doble de tamaño que la abertura de ventilación de la secadora.

Requisitos eléctricos

Usted es responsable de:

- Ponerse en contacto con un instalador eléctrico calificado.
- Asegurarse de que la conexión eléctrica sea adecuada y de conformidad con el Código Nacional Eléctrico, ANSI/NFPA 70 - última edición y con todos los códigos y ordenanzas locales.

El Código Nacional Eléctrico requiere una conexión de suministro eléctrico de 4 hilos para aquellos hogares construidos después de 1996, para los circuitos de secadora que se hayan reformado después de 1996 y todas las instalaciones de casas rodantes.

Usted puede obtener una copia de todas las normas arriba indicadas en:
National Fire Protection Association, One Batterymarch Park, Quincy, MA 02269.

- Proveer el suministro eléctrico requerido de 3 ó 4 alambres, monofásico, de 120/240 voltios, 60 Hz, CA solamente (o un suministro eléctrico de 3 ó 4 alambres, de 120/208 voltios, si se especifica en la placa indicadora de corriente/de la serie) en un circuito separado de 30 amperios, protegido con fusibles en ambos lados de la línea. Se recomienda un fusible retardador o un cortacircuitos. Conéctela a un circuito derivado individual. No tenga un fusible en el circuito neutro o de conexión a tierra.
- No use un cable eléctrico de extensión.
- Si los códigos lo permiten y se emplea un alambre de conexión a tierra separado, es recomendable que un electricista calificado determine si la trayectoria de conexión a tierra es adecuada.

Conexión eléctrica

Para instalar su secadora adecuadamente, usted debe determinar el tipo de conexión eléctrica que va a usar y seguir las instrucciones que aquí se proveen para el caso.

- Esta secadora ha sido manufacturada lista para ser instalada en una conexión de suministro de energía eléctrica de 3 hilos. El conductor verde de puesta a tierra del gabinete está permanentemente conectado al conductor neutral (cable blanco) dentro de la secadora. Si la secadora está instalada con una conexión de suministro eléctrico de 4 hilos, el conductor verde de puesta a tierra del gabinete se debe quitar del conductor de puesta a tierra exterior (tornillo verde) y ajustar debajo del terminal neutral (cable central o blanco) de la caja de terminales. Cuando el conductor verde de puesta a tierra del gabinete esté ajustado debajo del terminal neutral (cable central o blanco) de la caja de terminales, el gabinete de la secadora queda aislado del conductor neutral.
- Si los códigos locales no permiten la conexión de un conductor para conexión a tierra del equipo al alambre neutro, vea la sección "Conexión opcional de 3 hilos".
- Use un cable conductor de 4 alambres cuando se instale la secadora en una casa rodante o un área donde los códigos locales no permiten la conexión a tierra mediante el alambre neutro.

Si emplea un cable de suministro eléctrico:

Use un juego aprobado de UL para cable de suministro eléctrico que esté marcado para ser usado en secadoras de ropa. El juego deberá contener:

- Un cable de suministro eléctrico de 30 amperios aprobado de UL, con 120/240 voltios mínimo. El cable deberá ser del tipo SRD o SRDT y deberá tener un largo de por lo menos 4 pies (1,22 m). Los hilos que conectan con la secadora deberán terminar en terminales de anillo o de horquilla con los extremos hacia arriba.
- Un protector de cables aprobado de UL.

Si el contacto de pared luce como éste:



Contacto de 4 alambres (14-30R)

Entonces elija un cable de suministro eléctrico de 4 alambres con terminales de anillo o de horquilla y con protector de cables aprobado de UL. El cable de suministro eléctrico de 4 hilos, de por lo menos 4 pies (1,22 m) de largo, deberá tener 4 hilos de cobre de calibre 10 y coincidir con un receptáculo de 4 hilos tipo NEMA 14-30R. El hilo de conexión a tierra (conductor a tierra) puede ser verde o desnudo. El conductor neutro debe ser identificado con una cubierta blanca.

Si el contacto de pared luce como éste:



Contacto de 3 alambres (10-30R)

Entonces elija un cable de suministro eléctrico de 3 alambres con terminales de anillo o de horquilla y con protector de cables aprobado de UL. El cable de suministro eléctrico de 3 hilos, de por lo menos 4 pies (1,22 m) de largo, deberá tener 3 hilos de cobre de calibre 10 y coincidir con un receptáculo de 3 hilos tipo NEMA 10-30R.

Si hace la conexión con cableado directo:

El cable de suministro eléctrico debe ser igual al del suministro eléctrico (de 4 alambres o de 3 alambres) y debe ser:

- Cable blindado flexible o cable de cobre forrado no metálico (con alambre puesto a tierra), protegido con un conducto metálico flexible. Todos los alambres conductores de corriente deben estar aislados.
- Alambre de cobre sólido de calibre 10 (no utilice aluminio.)
- Por lo menos 5 pies (1,52 m) de largo.

INSTRUCCIONES PARA LA CONEXIÓN A TIERRA

- Para la conexión de una secadora mediante cable eléctrico conectado a tierra:

Esta secadora debe estar conectada a tierra. En el caso de funcionamiento defectuoso o avería, la conexión a tierra reducirá el riesgo de choque eléctrico al proporcionar una vía de menor resistencia para la corriente eléctrica. Esta secadora usa un cable que cuenta con un conductor para la conexión a tierra del equipo y un enchufe de conexión a tierra. El enchufe debe conectarse en un contacto apropiado, que esté debidamente instalado y conectado a tierra de acuerdo con todos los códigos y ordenanzas locales.

- Para la conexión permanente de una secadora:

Esta secadora debe estar conectada a un sistema de cableado de metal permanente, conectado a tierra, o se debe tender un conducto para la conexión a tierra del equipo con los conductores de circuito y conectado al terminal de tierra del equipo o al conductor de suministro de la secadora.

ADVERTENCIA: La conexión indebida del conductor para la conexión a tierra del equipo puede ocasionar un riesgo de choque eléctrico. Verifique con un electricista, representante o personal de servicio técnico calificado para asegurarse de que la conexión a tierra de la secadora sea apropiada. No modifique el enchufe que viene con el cable eléctrico. Si no encaja en el contacto, contrate un electricista calificado para que instale un contacto adecuado.

GUARDE ESTAS INSTRUCCIONES

Cable de suministro eléctrico

⚠ ADVERTENCIA



Peligro de Incendio

Use un cable de suministro eléctrico nuevo de 30 amperes que esté en la lista de UL.

Use un protector de cables que esté en la lista de UL.

Desconecte el suministro eléctrico antes de hacer las conexiones eléctricas.

Conecte el alambre neutro (el blanco o el del centro) al terminal central (plateada).

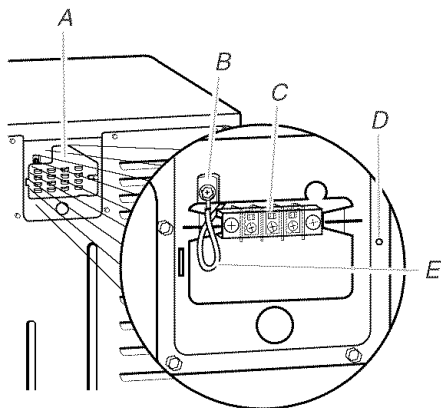
El alambre de tierra (el verde o el no aislado) se debe conectar con el conector verde de tierra.

Conecte los 2 alambres de suministro restantes con las 2 terminales restantes (las doradas).

Apriete firmemente todas las conexiones eléctricas.

No seguir estas instrucciones puede causar la muerte, incendio, o choque eléctrico.

1. Desconecte el suministro de energía.
2. Quite el tornillo de sujeción y la tapa del bloque de terminal.



- A. Tapa del bloque de terminal
- B. Tornillo conductor a tierra externo
- C. Tornillo de bloque de terminal de color plateado, del centro
- D. Ubicación del tornillo de sujeción
- E. Alambre de conexión a tierra neutro (verde con rayas amarillas)

Cableado directo

⚠ ADVERTENCIA



Peligro de Incendio

Utilice alambres de cobre sólido de ancho 10.

Use un protector de cables que esté en la lista de UL.

Desconecte el suministro eléctrico antes de hacer las conexiones eléctricas.

Conecte el alambre neutro (el blanco o el del centro) al terminal central (plateada).

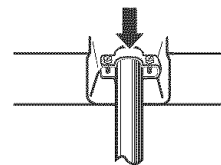
El alambre de tierra (el verde o el no aislado) se debe conectar con el conector verde de tierra.

Conecte los 2 alambres de suministro restantes con las 2 terminales restantes (las doradas).

Apriete firmemente todas las conexiones eléctricas.


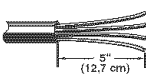

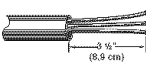
No seguir estas instrucciones puede causar la muerte, incendio o choque eléctrico.

3. Monte un protector de cables que esté en la lista de UL de 3/4" (1,9 cm) (el protector de cables tiene la marca de UL) en el orificio que está debajo de la abertura del bloque de terminal. Ajuste los tornillos del protector de cables lo suficiente para mantener las dos secciones de la abrazadera juntas. Haga pasar el cable de suministro eléctrico a través del protector de cables. El protector de cables deberá encajar bien con el gabinete de la secadora y estar en posición horizontal.



4. Ahora termine la instalación siguiendo las instrucciones para el tipo de su conexión eléctrica:
 Alambre de 4 hilos (se recomienda)
 Alambre de 3 hilos (si no dispone de alambre de 4 hilos)

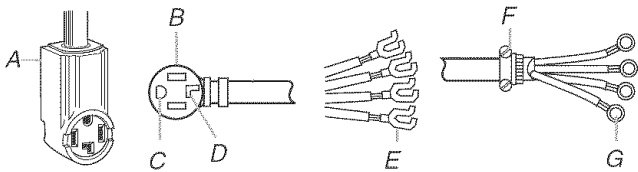
Opciones para la conexión eléctrica

Si su casa tiene:	Y usted va a conectar con:	Vaya a la sección:
Un contacto de 4 hilos (tipo NEMA 14-30R) 	Un cordón de suministro eléctrico para secadora, aprobado de UL, de 120/240 voltios mínimo y 30 amperios*	Conexión de 4 hilos: Cordón de suministro eléctrico
Cable directo de 4 hilos 	Un desconectador con fusible o una caja de disyuntor*	Conexión de 4 hilos: Cable directo
Contacto de 3 hilos (Tipo NEMA 10-30R) 	Un cordón de suministro eléctrico para secadora, aprobado de UL, de 120/240 voltios mínimo y 30 amperios*	Conexión de 3 hilos: Cordón de suministro eléctrico
Cable directo de 3 hilos 	Un desconectador con fusible o una caja de disyuntor*	Conexión de 3 hilos: Cable directo

* Si los códigos locales no permiten la conexión de un conductor de conexión a masa al cable neutro, prosiga a la sección "Conexión opcional de 3 hilos".

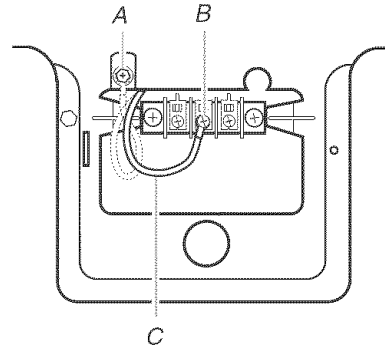
Conexión de 4 hilos: Cordón de suministro eléctrico

IMPORTANTE: Se necesita una conexión de alambre de cuatro hilos para las casas rodantes y para los casos en que los códigos locales no permitan el uso de conexiones de 3 hilos.



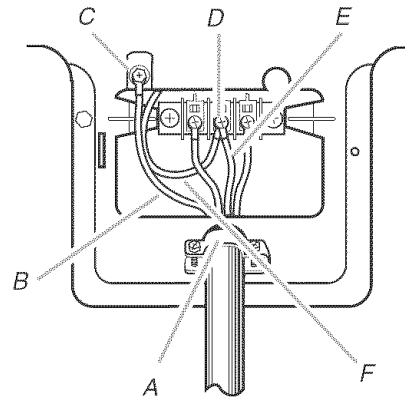
- A. Contacto de 4 alambres (tipo NEMA 14-30R)
- B. Enchufe de 4 terminales
- C. Terminal de conexión a tierra
- D. Terminal neutro
- E. Terminales de horquilla con los extremos hacia arriba
- F. Protector de cables que esté en la lista de UL, de $\frac{3}{4}$ " (1,9 cm)
- G. Terminales anulares

1. Saque el tornillo central del bloque de terminal.
2. Saque el hilo de tierra neutro del aparato (verde con rayas amarillas) del tornillo conductor de tierra externo. Fíjelo debajo del tornillo central de color plateado del bloque de terminal.



- A. Tornillo conductor de tierra externo – La línea punteada ilustra la posición del hilo de tierra NEUTRO antes de moverlo al tornillo central del bloque de terminal
- B. Tornillo central de color plateado del bloque de terminal
- C. Hilo verde/amarillo del mazo de conductores

3. Conecte el hilo de tierra (verde o desnudo) del cordón de suministro eléctrico al tornillo conductor de tierra externo. Apriete el tornillo.
4. Conecte el hilo neutro (hilo blanco o central) del cordón de suministro eléctrico debajo del tornillo central del bloque de terminal.



- A. Protector de cables que esté en la lista de UL de $\frac{3}{4}$ " (1,9 cm)
- B. Hilo de tierra (verde o desnudo) del cordón de suministro eléctrico
- C. Tornillo conductor de tierra externo
- D. Tornillo central de color plateado del bloque de terminal
- E. Hilo neutro (hilo blanco o central)
- F. Hilo neutro de puesta a tierra (verde con rayas amarillas)

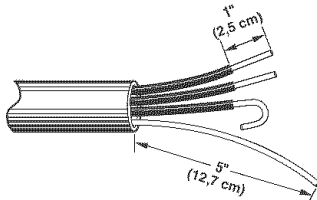
5. Conecte los otros hilos a los tornillos exteriores del bloque de terminal. Apriete los tornillos.
6. Apriete los tornillos del protector de cables.
7. Introduzca la lengüeta de la cubierta del bloque de terminal en la ranura del panel posterior de la secadora. Asegure la cubierta con el tornillo de sujeción.

Conexión de 4 hilos: Cable directo

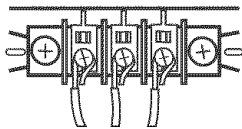
IMPORTANTE: Se necesita una conexión de alambre de 4 hilos para las casas rodantes y para los casos en que los códigos locales no permitan el uso de conexiones de 3 hilos.

El cable de conexión directa debe tener 5 pies (1,52 m) extra de largo para poder mover la secadora si fuese necesario.

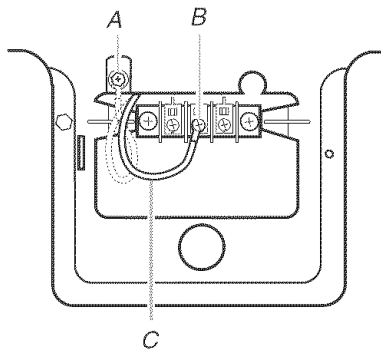
Pele 5" (12,7 cm) de la cubierta exterior desde el extremo del cable, dejando el hilo de tierra desnudo a 5" (12,7 cm). Corte 1½" (3,8 cm) de los 3 hilos restantes. Pele el aislamiento 1" (2,5 cm) hacia atrás. Doble los extremos de los hilos para formar un gancho.



Al conectar el hilo al bloque de terminal, coloque el extremo del hilo en forma de gancho debajo del tornillo del bloque de terminal (con el gancho mirando hacia la derecha). Apriete y junte el extremo en forma de gancho y apriete el tornillo. Vea el ejemplo a continuación.



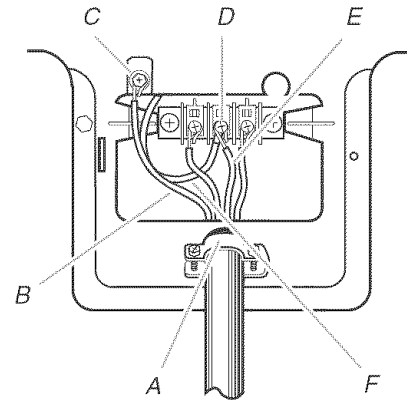
1. Saque el tornillo central del bloque de terminal.
2. Saque el hilo de tierra neutro (verde con rayas amarillas) del tornillo conductor de tierra externo. Fíjelo debajo del tornillo central de color plateado del bloque de terminal.



- A. Tornillo conductor de tierra externo – La línea punteada ilustra la posición del hilo de tierra NEUTRO antes de moverlo al tornillo central del bloque de terminal
 B. Tornillo central de color plateado del bloque de terminal
 C. Hilo verde/amarillo del mazo de conductores

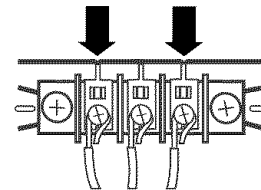
3. Conecte el hilo de tierra (verde o desnudo) del cable de suministro eléctrico al tornillo del conductor de tierra externo. Apriete el tornillo.

4. Coloque el extremo del hilo neutro en forma de gancho (hilo blanco o central) del cable de suministro eléctrico debajo del tornillo central del bloque de terminal (con el gancho mirando hacia la derecha). Apriete y junte el extremo enganchado. Apriete el tornillo.



- A. Protector de cables que esté en la lista de UL de ¾" (1,9 cm)
 B. Hilo verde del cordón de suministro eléctrico o hilo de cobre desnudo
 C. Tornillo conductor de tierra externo
 D. Tornillo central de color plateado del bloque de terminal
 E. Hilo neutro (hilo blanco o central)
 F. Hilo neutro de puesta a tierra (verde con rayas amarillas)

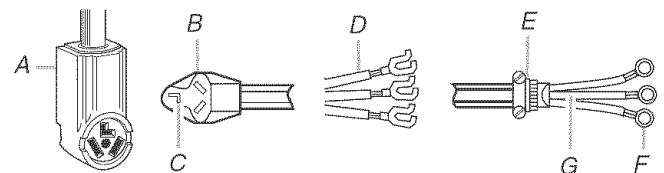
5. Coloque los extremos enganchados de los otros hilos del cable de suministro eléctrico debajo de los tornillos exteriores del bloque de terminal (con los ganchos mirando hacia la derecha). Apriete y junte los extremos enganchados. Apriete los tornillos.



6. Apriete los tornillos del protector de cables.
7. Introduzca la lengüeta de la cubierta del bloque de terminal en la ranura del panel posterior de la secadora. Asegure la cubierta con el tornillo de sujeción.

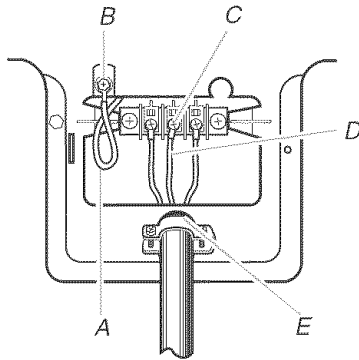
Conexión de 3 hilos: Cordón de suministro eléctrico

Use cuando los códigos locales permitan la conexión del conductor de tierra del gabinete al hilo neutro.



- A. Tomacorriente de 3 hilos (NEMA tipo 10-30R)
 B. Enchufe de 3 hilos
 C. Terminal neutro
 D. Terminales de horquilla con extremos hacia arriba
 E. Protector de cables que esté en la lista de UL de ¾" (1,9 cm)
 F. Terminales anulares
 G. Hilo neutro (hilo blanco o central)

1. Afloje o saque el tornillo central del bloque de terminal.
2. Conecte el hilo neutro (hilo blanco o central) del cordón de suministro eléctrico al tornillo central de color plateado del bloque de terminal. Apriete el tornillo.



- A. Hilo neutro de puesta a tierra (verde con rayas amarillas)
- B. Tornillo conductor de tierra externo
- C. Tornillo central de color plateado del bloque de terminal
- D. Hilo neutro (hilo blanco o central)
- E. Protector de cables que esté en la lista de UL de 3/4" (1,9 cm)

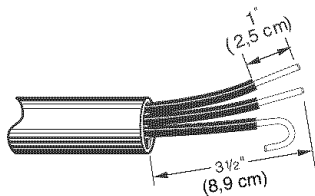
3. Conecte los otros hilos a los tornillos exteriores del bloque de terminal. Apriete los tornillos.
4. Apriete los tornillos del protector de cables.
5. Introduzca la lengüeta de la cubierta del bloque de terminal en la ranura del panel posterior de la secadora. Asegure la cubierta con el tornillo de sujeción.

Conexión de 3 hilos: Cable directo

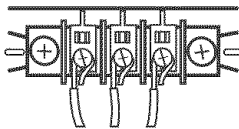
Use cuando los códigos locales permitan la conexión del conductor de tierra del gabinete al hilo neutro.

El cable de conexión directa debe tener 5 pies (1,52 m) extra de largo para poder mover la secadora si fuese necesario.

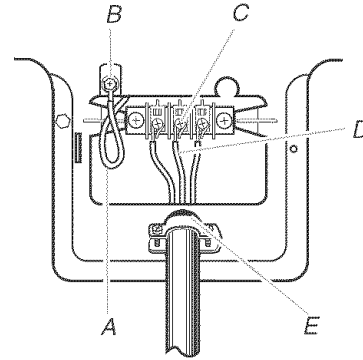
Pele 3 1/2" (8,9 cm) de la cubierta exterior desde el extremo del cable. Pele el aislamiento 1" (2,5 cm) hacia atrás. Si usa un cable trifilar con hilo de tierra, corte el hilo desnudo para que quede nivelado con la cubierta exterior. Doble los extremos de los hilos para formar un gancho.



Al conectar el hilo al bloque de terminal, coloque el extremo del hilo en forma de gancho debajo del tornillo del bloque de terminal (con el gancho mirando hacia la derecha). Apriete y junte el extremo en forma de gancho y apriete el tornillo.

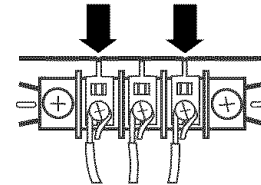


1. Afloje o saque el tornillo central del bloque de terminal.
2. Coloque el extremo en forma de gancho del hilo neutro (hilo blanco o central) del cable de suministro eléctrico debajo del tornillo central del bloque de terminal (con el gancho mirando hacia la derecha). Apriete y junte el extremo enganchado. Apriete el tornillo.



- A. Hilo neutro de puesta a tierra (verde con rayas amarillas)
- B. Tornillo conductor de tierra externo
- C. Tornillo central de color plateado del bloque de terminal
- D. Hilo neutro (hilo blanco o central)
- E. Protector de cables que esté en la lista de UL de 3/4" (1,9 cm)

3. Coloque los extremos enganchados de los otros hilos del cable de suministro eléctrico debajo de los tornillos exteriores del bloque de terminal (con los ganchos mirando hacia la derecha). Apriete y junte los extremos enganchados. Apriete los tornillos.

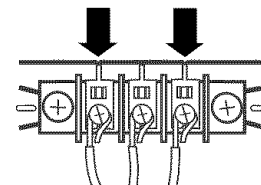


4. Apriete los tornillos del protector de cables.
5. Introduzca la lengüeta de la cubierta del bloque de terminal en la ranura del panel posterior de la secadora. Asegure la cubierta con el tornillo de sujeción.

Conexión opcional de 3 hilos

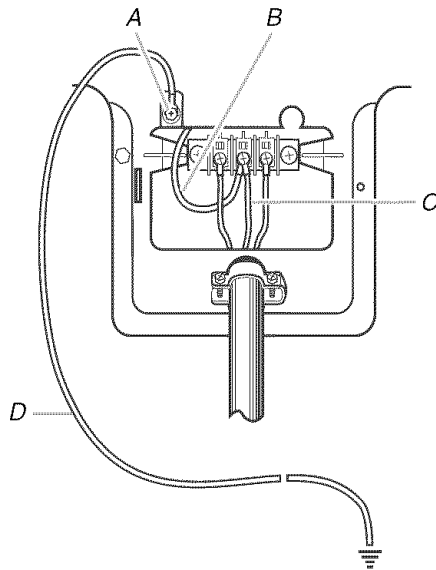
Use para cable directo o cordón de suministro eléctrico donde los códigos locales no permitan la conexión del conductor de tierra del gabinete con el hilo neutro.

1. Saque el tornillo central del bloque de terminal.
2. Saque el hilo de tierra neutro del aparato (verde con rayas amarillas) del tornillo conductor de tierra externo. Conecte el hilo de tierra del aparato y el hilo neutro (hilo blanco o central) del cordón/cable de suministro eléctrico debajo del tornillo central de color plateado del bloque de terminal. Apriete el tornillo.
3. Conecte los otros hilos a los tornillos exteriores del bloque de terminal. Apriete los tornillos.



4. Apriete los tornillos del protector de cables.

- Introduzca la lengüeta de la cubierta del bloque de terminal en la ranura del panel posterior de la secadora. Asegure la cubierta con el tornillo de sujeción.
- Conecte un hilo de tierra de cobre separado desde el tornillo conductor de tierra externo a tierra adecuada.



- A. Tornillo conductor de tierra externo
 B. Hilo neutro de puesta a tierra (verde/amarillo)
 C. Hilo neutro (hilo blanco o central)
 D. Camino de puesta a tierra determinado por un electricista capacitado

- No instale el ducto de escape de metal flexible en paredes, techos o pisos encerrados.
- Utilice abrazaderas para sellar todas las juntas. No debe conectarse ni asegurarse el ducto de escape con tornillos ni ningún otro dispositivo que se extienda hacia el interior de dicho ducto. No utilice cinta adhesiva para conductos.

IMPORTANTE: Observe todos las normas y ordenanzas vigentes.

La ventilación inadecuada puede ocasionar la acumulación de humedad y pelusa en la casa, lo cual puede dar como resultado:

- Daños de humedad en la carpintería, muebles, pintura, empapelado, alfombras, etc.
- Problemas en la limpieza de la casa y de salud.

Use un ducto de escape de metal pesado. No use ductos de escape de plástico o de hoja de metal.

Se recomienda un ducto de escape de metal pesado para evitar que se aplaste o se tuerza.

El ducto de escape de metal flexible debe extenderse y sostenerse por completo cuando la secadora está en su ubicación final. Quite el exceso del ducto de metal flexible para evitar que se doble y se tuerza, lo cual podría dar lugar a una reducción del flujo de aire.

Una capota de ventilación debe tapar el ducto de escape para evitar el ingreso de roedores e insectos a la casa.

La capota de ventilación debe estar por lo menos a 12" (30,5 cm) de distancia del piso o de cualquier objeto que pudiese estar en el trayecto del ducto de escape (como flores, rocas o arbustos, etc).

Si se usa un sistema de ventilación existente, limpie la pelusa que está en toda la longitud del sistema y asegúrese de que la capota de ventilación no esté obstruida con pelusa. Reemplace cualquier ducto de escape de plástico o de hoja de metal por uno de metal rígido o de metal flexible.

Requisitos de ventilación

⚠ ADVERTENCIA



Peligro de Incendio

- Use un ducto de escape de metal pesado.
- No use un ducto de escape de plástico.
- No use un ducto de escape de aluminio.
- No seguir estas instrucciones puede ocasionar la muerte o incendio.

ADVERTENCIA: Para reducir el riesgo de incendio, esta secadora DEBE VENTILARSE HACIA EL EXTERIOR.

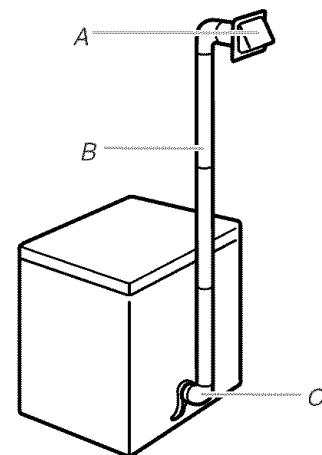
Se debe usar un ducto de escape de metal pesado de 4" (10,2 cm) y abrazaderas. Los productos de ventilación DURASAFE™ son recomendables y se encuentran disponibles en la tienda Sears o el centro de servicio técnico Sears de su localidad.

Los productos de ventilación DURASAFE™ pueden adquirirse de su distribuidor. Para más información, por favor llame al **1-800-4-MY-HOME® (1-800-469-4663)** o visite nuestro sitio de internet en: **www.sears.com**.

- La salida de la secadora no debe conectarse en ningún ducto de escape de gas, chimenea, pared, techo o el espacio oculto de un edificio.
- No use capotas de ventilación con pestillos magnéticos.

Planificación del sistema de ventilación

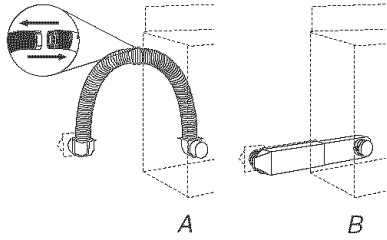
Las instalaciones típicas tienen la ventilación de la secadora en la parte posterior de la secadora.



- A. Capota de ventilación
 B. Ducto de escape de metal rígido o de metal flexible
 C. Codo

Instalaciones alternas para espacios limitados

Los sistemas de ventilación vienen en una amplia gama. Seleccione el tipo más apropiado para su instalación. A continuación se ilustran dos tipos de instalación para espacios limitados. Consulte las instrucciones del fabricante provistas con el sistema del ducto de escape.



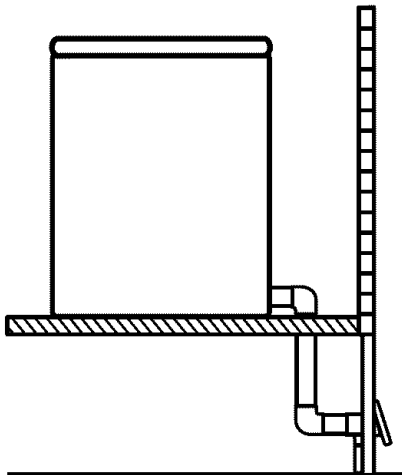
A. Instalación en la parte superior (también está disponible con un codo de desviación)
B. Instalación de periscopio

NOTA: Se pueden adquirir los siguientes juegos para instalaciones alternas en espacios limitados. Para información sobre pedidos sírvase llamar al **1-800-4-MY-HOME® (1-800-469-4663)**.

- Instalación en la parte superior:
 - Pieza número 4396028
- Instalación de periscopio (Para usar si hay desacoplo entre el ducto de escape de la pared y el ducto de escape de la secadora):
 - Pieza número 4396037 – Desacoplo de 0" (0 cm) a 18" (45,72 cm)
 - Pieza número 4396011 – Desacoplo de 18" (45,72 cm) a 29" (73,66 cm)
 - Pieza número 4396014 – Desacoplo de 29" (73,66 cm) a 50" (127 cm)

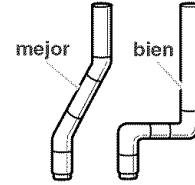
Previsiones especiales para las instalaciones en casas rodantes

El ducto de escape deberá sujetarse firmemente en un lugar no inflamable de la estructura de la casa rodante y no debe terminar debajo de la casa rodante. El ducto de escape debe terminar en el exterior.



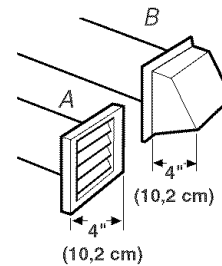
Determinación de la longitud del ducto de escape

1. Seleccione la vía que proporcione el trayecto más recto y directo al exterior. Planifique la instalación a fin de usar el menor número posible de codos y vueltas. Cuando use los codos o haga vueltas, deje todo el espacio que sea posible. Doble el ducto de escape gradualmente para evitar que se retuerza. Evite vueltas de 90° en la medida de lo posible.



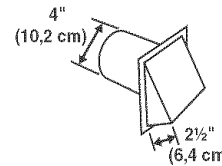
2. Determine la longitud del ducto de escape. La longitud máxima del sistema de ventilación depende de:
 - El tipo de ducto de escape (metal rígido o metal flexible).
 - El número de codos utilizados.
 - Tipo de capota.

Los estilos recomendados de capotas de ventilación se ilustran aquí.



A. Estilo de capota de ventilación tipo persiana
B. Estilo de capota de ventilación tipo caja

El estilo de capota de ventilación angular (que se ilustra a continuación) es aceptable.



Vea el cuadro de la longitud del ducto de escape que vaya de acuerdo con su tipo de capota de ventilación para fijarse en las longitudes máximas del ducto de escape que usted puede usar.

Los sistemas de ventilación más largos que los especificados:

- Acortarán la vida de la secadora.
- Reducirán el rendimiento, dando lugar a tiempos de secado más largos y un aumento en el consumo de energía.

- Determine el número de codos que va a necesitar.

NOTA: No use tendidos de ducto de escape más largos que los especificados en el cuadro de longitud del ducto de escape.

En la columna que indica el tipo de ducto de escape de metal que usted está usando (metal rígido o metal flexible), encuentre la longitud máxima de ducto de escape metálico en la misma línea que el número de codos.

Cuadro de longitud del ducto de escape

No. de vueltas de 90° o codos	Tipo de ducto	Capotas de ventilación de caja o tipo persianas	Capotas angulares
0	Metal rígido	36 pies (11 m)	26 pies (7,9 m)
	Metal flexible	28 pies (8,5 m)	22 pies (6,7 m)
1	Metal rígido	26 pies (7,9 m)	16 pies (4,9 m)
	Metal flexible	18 pies (5,5 m)	12 pies (3,7 m)
2	Metal rígido	16 pies (4,9 m)	6 pies (1,8 m)
	Metal flexible	8 pies (2,8 m)	2 pies (0,6 m)

Instalación del sistema de ventilación

- Instale la capota de ventilación. Emplee una masilla de calafateo para sellar la abertura de la pared externa alrededor de la capota de ventilación.
- Conecte el ducto de escape a la capota de ventilación. El ducto de escape debe encajar dentro de la capota de ventilación. Asegure el ducto de escape a la capota de ventilación con una abrazadera de 4" (10,2 cm).
- Extienda el ducto de escape a la ubicación de la secadora. Use la trayectoria más recta posible. Vea "Determinación de la longitud del ducto de escape". Evite giros de 90°. Use abrazaderas para sellar todas las juntas. No use cinta adhesiva para conductos, tornillos ni otros dispositivos de fijación que se extiendan dentro del ducto de escape, para fijar el mismo.

Instalación de las patas niveladoras

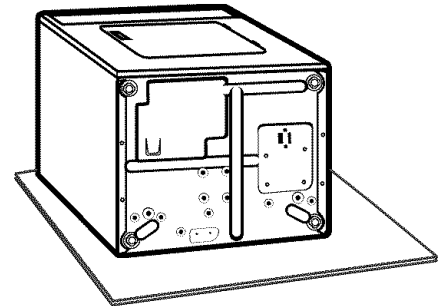
! ADVERTENCIA

Peligro de Peso Excesivo

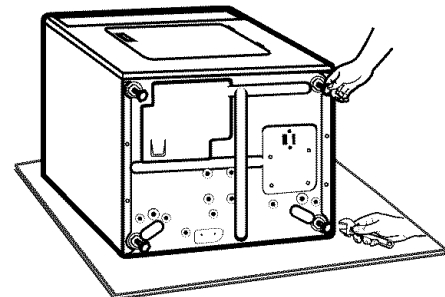
Use dos o más personas para mover e instalar la secadora.

No seguir esta instrucción puede ocasionar una lesión en la espalda u otro tipo de lesiones.

- Para proteger el piso, use un pedazo de cartón grande y plano del cartón de la secadora. Coloque el cartón debajo de todo el borde posterior de la secadora. Vea la ilustración.
- Sujete con firmeza el cuerpo de la secadora (no el panel de la consola). Coloque la secadora cuidadosamente sobre el cartón.



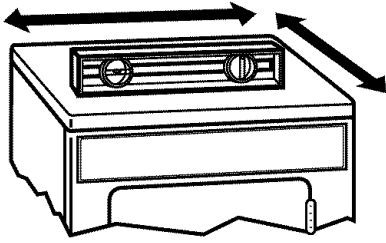
- Comience a atornillar con la mano las patas en los orificios de las patas. Use una llave de tuercas para terminar de atornillar las patas. Deben sobresalir alrededor de 1" (2,5 cm).



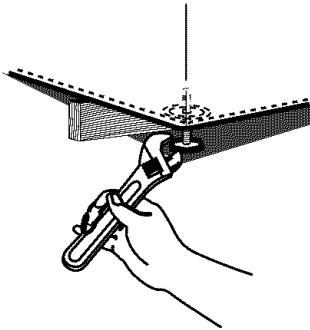
- Coloque un poste esquinal de cartón debajo de cada uno de los 2 esquinales posteriores de la secadora. Ponga la secadora de pie. Deslice la secadora sobre los postes esquinales hasta que quede cerca de su ubicación final. Deje suficiente espacio para conectar el ducto de escape.

Nivelación de la secadora

Revise la nivelación de la secadora. Verifique primero de lado a lado y luego del frente hacia atrás.



Si la secadora no está nivelada, apunte la secadora, usando un bloque de madera. Use una llave de tuercas para regular las patas hacia arriba o hacia abajo y verifique nuevamente si la secadora está nivelada.



NOTA: Quizás sea necesario nivelar la secadora nuevamente después de trasladarla a su ubicación final.

Conexión del ducto de escape

1. Usando una abrazadera de 4" (10,2 cm), conecte el ducto de escape a la salida de aire de la secadora. Si se conecta a un ducto de escape existente, asegúrese de que el mismo esté limpio. El ducto de escape de la secadora debe encajar sobre la salida de aire de la secadora y dentro de la capota de ventilación. Cerciórese de que el ducto de escape esté asegurado a la capota de ventilación con una abrazadera de 4" (10,2 cm).
2. Mueva la secadora a su posición final. No aplaste ni retuerza el ducto de escape. Asegúrese de que la secadora esté nivelada.
3. (En modelos a gas) Asegúrese de que no hayan torceduras en la línea de gas flexible.

Complete la instalación

1. Revise para cerciorarse de que todas las piezas estén instaladas. Si hay alguna pieza extra, vuelva a revisar todos los pasos para ver cuál se omitió.
2. Verifique si tiene todas las herramientas.
3. Deshágase de todos los materiales de embalaje o recíclelos.
4. Revise la ubicación final de la secadora. Asegúrese de que el ducto de escape no esté aplastado o retorcido.
5. Verifique que la secadora esté nivelada.
6. Enchufe en un contacto con conexión a tierra de 3 terminales. Conecte el suministro de energía.
7. Quite la película protectora azul que está en la consola y cualquier cinta adhesiva que haya quedado en la secadora. Quite la cinta adhesiva del filtro de pelusa (ubicado en la parte interna de la pared posterior de la secadora).
8. Lea "Uso de la Secadora".
9. Limpie el interior del tambor de la secadora meticulosamente con un paño húmedo para quitar residuos de polvo.
10. Para probar la secadora, ajústela en un ciclo completo de calor (no en un ciclo de aire) por 20 minutos y póngala en marcha.

Si la secadora no funciona, revise lo siguiente:

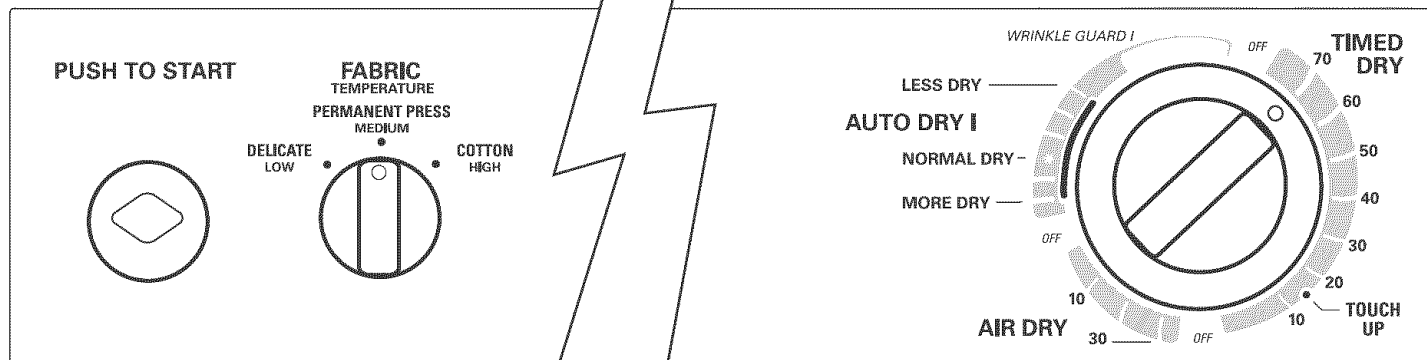
- Que los controles estén fijados en una posición de funcionamiento u "On" (encendido).
 - Que se ha presionado con firmeza el botón de presione para poner en marcha.
 - Que la secadora esté conectada en un contacto de 3 terminales con conexión a tierra.
 - Que el suministro eléctrico esté conectado.
 - Que el fusible de la casa esté intacto y ajustado, o que no se haya disparado el cortacircuitos.
 - Que la puerta de la secadora esté cerrada.
11. Cuando la secadora haya estado funcionando por 5 minutos, abra la puerta y sienta si hay calor.

Si no siente calor, revise lo siguiente:

- Que los controles estén fijados en un ciclo con calor, y no en un ciclo de aire.

NOTA: Es posible que sienta olor a quemado cuando la secadora se caliente por primera vez. Este olor es común cuando se usa por primera vez el elemento de calefacción. El olor desaparecerá.

USO DE LA SECADORA



Puesta en marcha de su secadora

⚠ ADVERTENCIA



Peligro de Explosión

Mantenga los materiales y vapores inflamables, tales como la gasolina, alejados de la secadora.

No seque ningún artículo que haya tenido alguna vez cualquier sustancia inflamable (aún después de lavarlo).

No seguir estas instrucciones puede ocasionar la muerte, explosión o incendio.

⚠ ADVERTENCIA



Peligro de Incendio

Ninguna lavadora puede eliminar completamente el aceite.

No seque ningún artículo que haya tenido alguna vez cualquier tipo de aceite (incluyendo los aceites de cocina).

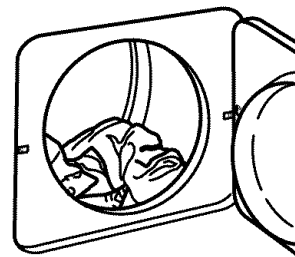
Los artículos que contengan espuma, hule o plástico deben secarse en un tendedero o usando un Ciclo de Aire.

No seguir estas instrucciones puede ocasionar la muerte o incendio.

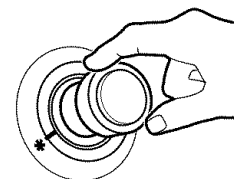
ADVERTENCIA: A fin de reducir el riesgo de incendio, de choque eléctrico o de daños personales, lea las INSTRUCCIONES IMPORTANTES DE SEGURIDAD antes de operar el aparato.

Antes de usar su secadora, limpie el tambor de la secadora con un trapo húmedo para quitar el polvo del almacenaje y empaque.

1. Limpie el filtro de pelusa antes o después de cada ciclo. Vea "Limpieza del filtro de pelusa".
2. Coloque la ropa holgadamente en la secadora y cierre la puerta. No sobrecargue la secadora. Deje espacio para que la ropa pueda rotar libremente.



3. Gire la Perilla de Control de Ciclos al ciclo recomendado para el tipo de carga que se está secando. Vea "Consejos de secado, ciclos y temperatura".



4. Fije la perilla de Control de Tela/Temperatura en el ciclo recomendado para el tipo de carga a secar. Vea "Control de Tela/Temperatura".
5. Oprima el botón de presione para iniciar (PUSH TO START).

Para detener y volver a poner en marcha

Usted puede detener su secadora en cualquier momento durante un ciclo.

Para detener su secadora

Abra la puerta de la secadora o gire la perilla de Control de Ciclos a Apagado (OFF).

NOTA: La perilla de Control de Ciclos debe apuntar hacia el área de Fin cuando la secadora no está en uso.

Para volver a poner en marcha su secadora

1. Cierre la puerta.
2. Seleccione un nuevo ciclo y temperatura (si lo desea).
3. Oprima el botón de Presione para iniciar (PUSH TO START).

Cómo cargar la secadora

Coloque la ropa en la secadora de modo suelto. No la llene en exceso. Deje suficiente espacio para que la ropa rote con libertad. El cuadro siguiente muestra la carga máxima de ropa que usted puede poner en la secadora compacta. Cuente con tiempos más largos de secado.

Ropa pesada de trabajo	2 pantalones, 3 camisas de trabajo
Artículos delicados	1 camisola, 2 fondos, 4 piezas de ropa interior, 1 juego de pijamas, 1 medio fondo
Toallas	9 toallas para baño; -o- 6 toallas para baño, 3 toallas para manos, 6 toallas faciales
Carga mixta	2 fundas para almohadas, 1 camiseta, 2 camisas, 1 pantalón
Tejidos	2 pantalones, 2 camisas; -o- 3 vestidos
Planchado permanente	6 camisas; -o- 2 sábanas tamaño matrimonial y 2 fundas para almohadas; -o- 2 sábanas sencillas y 2 fundas para almohadas

Consejos de secado, ciclos y temperatura

Seleccione el ciclo y temperatura correctos para su ropa.

Su secadora hace girar la carga sin calor durante los últimos minutos de todos los ciclos para poder manipularla más fácilmente.

Consejos de secado

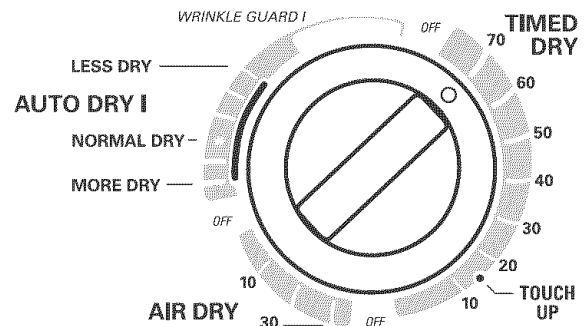
- Siga las instrucciones de cuidado de la etiqueta siempre que estén disponibles.
- Si desea, agregue una hoja de suavizante de telas. Siga las instrucciones del paquete.
- Quite la carga de ropa de la secadora tan pronto se detenga la rotación para evitar que las prendas se arruguen. Esto es de singular importancia para las prendas de planchado permanente, tejidos de punto y fibras sintéticas.

Consejos de ciclos y temperatura

- Seque la mayoría de sus cargas con Secado Normal (Normal Dry) (*).
- Use un ajuste de aire sin calor (air) para artículos de goma, plástico o telas sensibles al calor.
- Seque en el tendedero las telas laminadas o tratadas.

NOTA: Si tiene duda respecto a la temperatura que debe seleccionar para varias cargas de ropa, consulte las instrucciones de cuidado de las etiquetas.

Ciclos



Perilla de control de ciclos

Secado automático I (Auto Dry I)

Puede usarse el secado automático I para la mayoría de las cargas. Este ciclo automático le proporciona los mejores resultados de secado en el tiempo más corto. El tiempo de secado varía según el tipo de tela, tamaño de la carga y el ajuste de secado.

Se puede fijar la perilla del control de ciclos en Secado normal (NORMAL DRY) (*) que sirve para la mayoría de las cargas. Al final del ciclo, puede verificar el nivel de sequedad de la carga.

- Si la carga está más seca de lo que a usted le gustaría, puede seleccionar un ajuste más cercano a Menos Seco (Less Dry) la próxima vez que seque una carga similar.
- Si una carga no está lo suficientemente seca como a usted le gustaría, puede terminar de secarla usando un ciclo de secado programado. Puede seleccionar un ajuste más cercano a Más Seco (More Dry) la próxima vez que seque una carga similar.

El nivel de secado está determinado por termostatos que reaccionan a la cantidad de humedad del aire que sale de la secadora. El aire húmedo indica que la ropa todavía está mojada. Aire seco indica que se ha quitado la humedad.

Secado programado (Timed Dry)

Use este ciclo para obtener hasta 70 minutos de tiempo de secado con calor o para terminar el secado de artículos que todavía están húmedos después de un ciclo automático. Las prendas giran sin calor por 10 minutos aproximadamente antes que termine el ciclo automático. Esto ayudará a reducir las arrugas y será más fácil manejar las prendas.

El ciclo de Secado programado también es útil para:

- Artículos muy pesados y ropa de trabajo que requieren un tiempo de secado prolongado.
- Artículos de peso ligero, tales como lencería, blusas y tejidos de punto que requieren un tiempo de secado corto.

Retoque (Touch Up)

Se puede usar este ciclo para quitar las arrugas de ropa limpia de telas sintéticas o de planchado permanente que ha estado empacada apretadamente en una valija o ropero. Este ajuste le proporciona unos 15 minutos de secado con rotación seguidos de un período de enfriamiento de hasta 10 minutos. Quite la ropa tan pronto termine la rotación.

Secado al aire (Air Dry)

Use este ciclo para obtener hasta 30 minutos de tiempo de secado al aire a temperatura ambiente. Este ajuste puede usarse para artículos tales como plásticos, goma y telas sensibles al calor.

Vea el siguiente cuadro para ejemplos de artículos que pueden secarse usando un ciclo de secado al aire.

Tipo de carga	Tiempo*
Goma espuma - almohadas, brasieres acolchados, juguetes de peluche	20 - 30
Plástico - cortinas de ducha, manteles	20 - 30
Alfombras con reverso de goma	40 - 50
Olefina, polipropileno, nailon diáfano	10 - 20

* (Minutos). Si lo necesita, vuelva a fijar el ciclo para completar el secado.

Siempre que use un ciclo de secado al aire

- Revise para ver si las cubiertas están debidamente cosidas.
- Sacuda y ahueque las almohadas a mano periódicamente durante el ciclo.
- Seque el artículo por completo. Las almohadas de goma espuma tardan en secar.

Señal de fin de ciclo

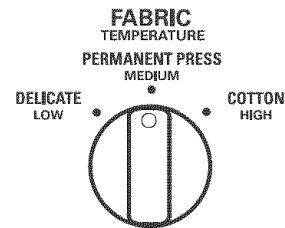
La secadora emite una señal para indicarle que el ciclo ha terminado. La señal no es ajustable y no se puede apagar. Esta señal es útil cuando usted está secando artículos de planchado permanente, tela sintética u otros artículos que se deben retirar de la secadora tan pronto ésta se detenga.

PROTECCIÓN ANTIARRUGAS (WRINKLE GUARD® I)

WRINKLE GUARD® I ayuda a prevenir arrugas que se forman cuando la ropa no se retira en el momento apropiado al final del ciclo. WRINKLE GUARD® I periódicamente comienza y detiene la secadora, haciendo girar la ropa sin calor por 30 minutos a menos que usted abra la puerta de la secadora.

Durante WRINKLE GUARD® I, la señal de fin de ciclo sonará durante 5 minutos, a menos que se apague.

Control de tela/temperatura



Perilla del control de tela/temperatura

Use la perilla del control de tela/temperatura para seleccionar la temperatura de secado que coincida con las telas en su carga.

- Seleccione Baja (LOW) para telas delicadas.
- Seleccione Media (MEDIUM) para planchado permanente, prendas sintéticas y mezclas.
- Seleccione Alta (HIGH) para telas duraderas, como ser ropa de trabajo o toallas de baño.

NOTA: El control de tela/temperatura no funcionará cuando la perilla de Control de ciclos esté en el ajuste de ciclo de Secado al aire (Air Dry).

La tabla siguiente muestra los ajustes sugeridos de secado automático o de secado programado para varias cargas. Esto es sólo una guía.

TELA/ TEMPERATURA	TIPO DE CARGA	AJUSTE AUTOMÁ- TICO DE HUMEDAD	AJUSTE DE SECADO PROGRA- MADO*
Algodón (COTTON) Alta	Artículos pesados - cobijas, toallas, pantalones de mezclilla, prendas de algodón, edredones	Más Seco	50 - 70 minutos
Planchado permanente (PERMANENT PRESS) Media	Artículos de peso mediano - camisas, sábanas, pantalones, prendas de jugar para niños, pañales, artículos sintéticos (poliéster, acrílico, etc.)	Secado normal	30 - 50 minutos
Delicado (DELICATE) Baja	Artículos de peso liviano - lencería, blusas, vestidos, artículos sintéticos y mezclas	Menos Seco	20 - 30 minutos

CUIDADO DE LA SECADORA

Limpieza del lugar donde está la secadora

Mantenga el área donde está la secadora despejada y libre de artículos que pudieran obstruir el flujo de aire para la combustión y la ventilación.

⚠ ADVERTENCIA



Peligro de Explosión

Mantenga los materiales y vapores inflamables, como la gasolina, lejos de la secadora.

Coloque la secadora a un mínimo de 46 cm sobre el piso para la instalación en un garaje.

No seguir estas instrucciones puede ocasionar la muerte, explosión o incendio.

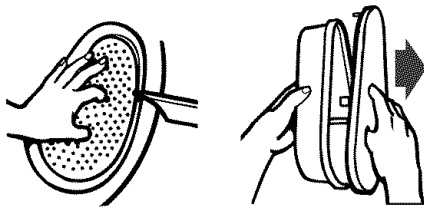
Limpieza del filtro de pelusa

Limpieza en cada carga

El filtro de pelusa está localizado en el tambor de la secadora, en la pared posterior. Límpielo antes del secado de cada carga. Un filtro obstruido con pelusa puede aumentar el tiempo de secado.

Para limpiar

1. Abra la puerta y jale el filtro de pelusa directamente hacia afuera.



2. Apriete el cuerpo del filtro de pelusa delicadamente, mientras va quitando la cubierta.
3. Quite la pelusa enrollándola con los dedos. No enjuague o lave el filtro para quitar la pelusa. La pelusa mojada es difícil de quitar.
4. Vuelva a poner la cubierta sobre el cuerpo del filtro de pelusa. Empuje el filtro de pelusa firmemente otra vez en su lugar y cierre la puerta.

IMPORTANTE:

- No ponga a funcionar la secadora con el filtro de pelusa flojo, dañado, obstruido o sin él. El hacerlo puede causar un sobrecalentamiento y dañar tanto la secadora como las prendas.

- Algunas toallas fabricadas con fibras sintéticas y fibras naturales (mezclas de poliéster y algodón) pueden soltar más pelusa que otras toallas, dando como resultado que el filtro de pelusa de su secadora se llene más rápido. Asegúrese de quitar la pelusa del filtro antes y después de secar toallas nuevas.

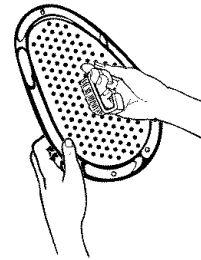
Limpieza periódica

Los residuos de detergente y suavizante de telas pueden acumularse en el filtro de pelusa. Esta acumulación puede dar lugar a períodos más prolongados de secado de su ropa, o causar que la secadora se detenga antes de que su ropa esté completamente seca. El filtro está probablemente obstruido si la pelusa se cae del filtro.

Limpie el filtro de pelusa con un cepillo de nylon cada 6 meses o con más frecuencia si se obstruye debido a la acumulación de residuos.

Para lavar

1. Quite la pelusa enrollándola con los dedos.
2. Moje tanto la cubierta del filtro de pelusa como el cuerpo del mismo con agua caliente.
3. Moje un cepillo de nylon con agua caliente y detergente líquido. Cepille el filtro de pelusa con el cepillo para quitar la acumulación de residuos.



4. Enjuague el filtro con agua caliente.
5. Seque minuciosamente el cuerpo del filtro de pelusa y su cubierta con una toalla limpia. Vuelva a colocar el filtro en la secadora.

Limpieza del interior de la secadora

Para limpiar el tambor de la secadora

1. Haga una pasta con detergente en polvo y agua tibia.
2. Aplique la pasta a un paño suave.

O

Aplique un producto de limpieza líquido no inflamable en el área manchada y frote con un paño suave hasta quitar todo el tinte en exceso.

3. Limpie el tambor minuciosamente con un paño húmedo.
4. Coloque una carga de ropa limpia o toallas para secar el tambor.

NOTA: Las prendas de colores que destiñen tales como mezclillas o artículos de algodón de colores vivos, pueden teñir el interior de la secadora. Estas manchas no dañan su secadora ni mancharán las cargas futuras de ropa. Seque los artículos de colores que destiñen al revés para evitar la transferencia del tinte.

Eliminación de pelusa acumulada

En el interior del gabinete de la secadora

Según el uso de la secadora, se debe quitar la pelusa cada 2 años, o con más frecuencia. La limpieza deberá efectuarla una persona calificada.

En el ducto de escape

La pelusa debe ser quitada nuevamente cada 2 años, o con más frecuencia, de acuerdo con el uso de la secadora.

Cuidado para las vacaciones y la mudanza

Cuidado para las vacaciones

Ponga la secadora a funcionar sólo cuando esté en casa. Si va a salir de vacaciones o no va a usar su secadora por un tiempo prolongado, usted deberá:

1. Desenchufar la secadora o desconectar el suministro de energía.
2. Lavar el filtro de pelusa. Vea "Limpieza del filtro de pelusa".

Cuidado para la mudanza

⚠ ADVERTENCIA



Peligro de Choque Eléctrico

Desconecte el suministro de energía antes de darle mantenimiento.

Vuelva a colocar todos los componentes y paneles antes de hacerlo funcionar.

No seguir estas instrucciones puede ocasionar la muerte o choque eléctrico.

1. Desenchufe el cable de suministro de energía. Desconecte el cable si la secadora está conectada por cableado directo.
2. Asegúrese de que las patas niveladoras estén fijadas en la base de la secadora.
3. Use cinta adhesiva para asegurar la puerta de la secadora.

SOLUCIÓN DE PROBLEMAS

Primero, pruebe las soluciones aquí sugeridas y quizás se ahorre el costo de una visita de servicio técnico...

La ropa no está secándose de modo satisfactorio

- **La secadora compacta funciona a un vataje más bajo. El secado demora más tiempo.**
- **Revise lo siguiente:**
 - ¿Está el filtro de pelusa obstruido con pelusa?
¿Está el ducto de escape a la capota de ventilación exterior obstruido con pelusa, restringiendo el flujo de aire? Ponga a funcionar la secadora de 5 a 10 minutos. Ponga su mano debajo de la capota de ventilación para verificar el movimiento del aire. Si no lo siente, limpie la pelusa del sistema de ventilación o reemplace el ducto de escape con uno de metal pesado o de metal flexible. Consulte "Instrucciones de Instalación."
 - ¿Está el ducto de escape aplastado o retorcido?
Reemplácelo con un ducto de metal duro o flexible. Consulte "Instrucciones de Instalación."
 - ¿Se ha seleccionado un ciclo de Secado al Aire? Seleccione el ciclo correcto para el tipo de prendas que se estén secando. Consulte "Consejos de secado, ciclos y temperatura".
 - ¿Están las hojas de suavizante de telas de tejidos bloqueando el filtro? Use únicamente una hoja de suavizante de telas y sólo una vez.
 - ¿El ciclo automático termina con anticipación? Este ciclo terminará con anticipación si la carga de la secadora no entra en contacto con las tiras detectoras. Nivele la secadora. Consulte "Instrucciones de Instalación."

- **¿Está la secadora ubicada en una habitación cuya temperatura está debajo de 7°C (45°F)?**
El funcionamiento apropiado de los ciclos de la secadora requiere temperaturas superiores a 7°C (45°F).
- **¿Se usó un enjuague frío? ¿Estaba la carga muy mojada?**
Espere tiempos de secado más prolongados para artículos enjuagados en agua fría y para artículos que retienen humedad (prendas de algodón).
- **¿Está la carga demasiado voluminosa y pesada para secarse con rapidez?**
Separe la carga de modo que pueda rotar libremente.

La secadora no funciona

- **Revise lo siguiente:**
 - ¿Está el cable eléctrico enchufado a un tomacorriente de tres terminales?
¿Se ha quemado un fusible, o se ha disparado el interruptor de corriente de su casa?
¿Se usó un fusible normal? Use un fusible retardador.
 - ¿Está cerrada con firmeza la puerta de la secadora?
¿Se oprimió con firmeza el botón de Presione para iniciar (PUSH TO START)?
¿Se ha seleccionado un ciclo?

Ruidos Extraños

- **¿Ha estado la secadora sin uso durante un período largo?**
Si la secadora ha estado sin uso por una temporada, podría oírse un ruido pesado durante los primeros minutos de funcionamiento.

Pelusa en la carga

- **¿Está obstruido el filtro de pelusa?**
Limpie el filtro de pelusa. Revise el movimiento del aire.
- **¿Se ha separado la carga de modo apropiado?**
Separe las prendas que sueltan pelusa (toallas, ropa afelpada) de las que atraen pelusa (pana, artículos sintéticos). También separe por color.
- **¿Está la carga demasiado voluminosa o demasiado pesada?**
Seque cargas menos voluminosas para que la pelusa pueda ser trasladada al filtro de pelusa.
- **¿Se secó la carga en exceso?**
Use los ajustes correctos de la secadora según el tipo de carga. Secar en exceso puede dar lugar a la electricidad estática que atrae pelusa. Consulte "Consejos de secado, ciclos y temperatura".
- **¿Se dejó papel o pañuelo de papel en los bolsillos?**
- **¿Se está confundiendo las motitas con la pelusa?**
Las motitas (en la superficie de las prendas) son causadas por el desgaste normal y el lavado.

Manchas en la carga o cambio de color

- **¿Se usó de modo apropiado el suavizante de telas para secadoras?**
Agregue las hojas del suavizante de telas para secadoras al inicio del ciclo. Sus prendas se pueden manchar si las tiras de suavizante de telas se agregan a una carga parcialmente seca.
- **¿Estaban sucios los artículos en el momento de ponerlos en la secadora?**
Los artículos deberían estar limpios antes de ponerlos a secar.
- **¿Se separaron los artículos de modo apropiado?**
Separe los colores claros de los colores oscuros. Separe los artículos que no destiñen de los que destiñen.

Las prendas se encogen

- **¿Se sobrecargó la secadora?**
Seque cargas menos voluminosas que puedan rotar con libertad.
- **¿Se secó la carga en exceso?**
Verifique la etiqueta de cuidado del fabricante. Ponga el ajuste de la secadora según el tipo de carga. Consulte "Consejos de secado, ciclos y temperatura".

Las cargas están arrugadas

- **¿Se quitó la carga de la secadora al terminar el ciclo?**
- **¿Estaba la secadora sobrecargada?**
Seque cargas menos voluminosas que puedan rotar con libertad.
- **¿Se secó la carga en exceso?**
Verifique la etiqueta de cuidado del fabricante. Ponga el ajuste de la secadora según el tipo de carga. Consulte "Consejos de secado, ciclos y temperatura".

Olores

- **¿Pintó, tiñó o barnizó recientemente en el área donde se encuentra su secadora?**
Si es así, ventile el área. Cuando los olores y el humo se hayan ido del área, vuelva a lavar la ropa y luego séquela.
- **¿Se está usando la secadora por primera vez?**
El nuevo elemento calefactor eléctrico puede despedir un olor. El olor desaparecerá después del primer ciclo.

Prendas dañadas

- **Revise lo siguiente:**
 - ¿Se dejaron abiertos los cierres, broches de presión y ganchos?
 - ¿Se ataron los cordones y tirantes para evitar que se enreden?
 - ¿Se siguieron las instrucciones de la etiqueta de cuidado de la prenda?
 - ¿Se dañaron los artículos antes del secado?

Get it fixed, at your home or ours!

Your Home

For repair – **in your home** – of **all** major brand appliances, lawn and garden equipment, or heating and cooling systems, **no matter who made it, no matter who sold it!**

For the replacement parts, accessories and owner's manuals that you need to do-it-yourself.

For Sears professional installation of home appliances and items like garage door openers and water heaters.

1-800-4-MY-HOME[®] (1-800-469-4663)

Call anytime, day or night (U.S.A. and Canada)

www.sears.com www.sears.ca

Our Home

For repair of carry-in items like vacuums, lawn equipment, and electronics, call or go on-line for the location of your nearest **Sears Parts & Repair Center.**

1-800-488-1222

Call anytime, day or night (U.S.A. only)

www.sears.com

To purchase a protection agreement (U.S.A.) or maintenance agreement (Canada) on a product serviced by Sears:

1-800-827-6655 (U.S.A.)

1-800-361-6665 (Canada)

Para pedir servicio de reparación a domicilio, y para ordenar piezas:

1-888-SU-HOGARSM

(1-888-784-6427)

Au Canada pour service en français:

1-800-LE-FOYER^{MC}

(1-800-533-6937)

www.sears.ca

SEARS

Free Manuals Download Website

<http://myh66.com>

<http://usermanuals.us>

<http://www.somanuals.com>

<http://www.4manuals.cc>

<http://www.manual-lib.com>

<http://www.404manual.com>

<http://www.luxmanual.com>

<http://aubethermostatmanual.com>

Golf course search by state

<http://golfingnear.com>

Email search by domain

<http://emailbydomain.com>

Auto manuals search

<http://auto.somanuals.com>

TV manuals search

<http://tv.somanuals.com>