



HE⁴

Electric Dryer

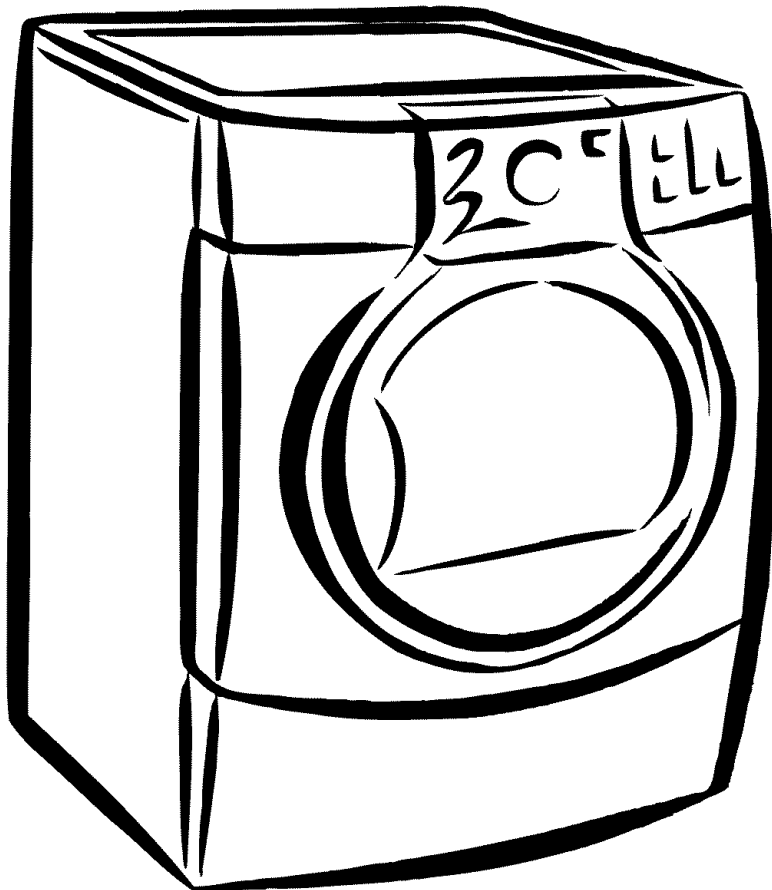
Use & Care Guide

Sécheuse électrique

Guide d'utilisation et d'entretien

Models/Modèles **110.C8508***, **C8586***, **C8587***

* = color number/numéro de couleur



ENGLISH | FRANÇAIS

TABLE OF CONTENTS

MAINTENANCE AGREEMENTS	2
WARRANTY	3
PEDESTAL OPTION WARRANTY	3
DRYER SAFETY	4
INSTALLATION INSTRUCTIONS	5
Tools and Parts	5
Optional Pedestal	5
Location Requirements	6
Electrical Requirements.....	7
Venting Requirements	8
Plan Vent System	8
Install Vent System	10
Install Leveling Legs	10
Level Dryer.....	10
Connect Vent.....	11
Reverse Door Swing.....	11
Complete Installation.....	12
DRYER USE	13
Starting Your Dryer.....	13
Stopping Your Dryer.....	14
Pausing or Restarting.....	14
Control Locked.....	14
Loading.....	14
Drying and Cycle Tips	14
Status Lights.....	15
Cycles	15
Options	16
Modifiers	17
Changing Cycles, Options and Modifiers	17
End of Cycle Signal	17
TUMBLE FREE™ Heated Dryer Rack.....	17
DRYER CARE	18
Cleaning the Dryer Location.....	18
Cleaning the Lint Screen	18
Cleaning the Dryer Interior	19
Removing Accumulated Lint	19
Vacation and Moving Care.....	19
Changing the Drum Light	19
TROUBLESHOOTING	20
SERVICE NUMBERS	BACK COVER

MAINTENANCE AGREEMENTS

Maintenance Agreements

Your purchase has added value because you can depend on Sears HomeCentral® for service. With over 2,400 Service Technicians and more than a million parts and accessories, we have the tools, parts, knowledge and skills to back our pledge: We Service What We Sell.

Your Kenmore® product is designed, manufactured and tested to provide years of dependable operation. But like all products, it may require service from time to time. The Sears Maintenance Agreement offers you an outstanding service program, affordably priced.

The Sears Maintenance Agreement

- Is your way to buy tomorrow's service at today's price
- Eliminates repair bills resulting from normal wear and tear
- Provides phone support from a Sears technician on products requiring in-home repair
- Even if you don't need repairs, provides an annual Preventive Maintenance Check, at your request, to ensure that your product is in proper running condition.

Some limitations apply. For more information about Sears Canada Maintenance Agreements, call 1-800-361-6665.

WARRANTY

Full One-Year Warranty on Mechanical and Electrical Parts

For one year from date of purchase, when this dryer is installed and operated according to the instructions provided in this Use and Care Guide, Sears will repair this dryer, free of charge, if defective in material or workmanship.

Service must be provided by a Sears Service Department in Canada or authorized agent.

NOTE: Exhausting this dryer with a plastic vent can void this warranty. See "Installation Instructions" for the complete exhaust requirements for this dryer.

Limited Two-Year Warranty on SENSOR SMART™ Electronic Control Board

For the second year from date of purchase, Sears will replace the electronic control board if defective in materials or workmanship. You will be charged for labor after the first year.

Warranty Restrictions

If the dryer is subject to other than private family use, the above warranty is effective for only 90 days.

Travel or transportation expenses for customers who reside in remote areas are not covered by this warranty.

Warranty Service

Warranty service is available by contacting the nearest Sears Service Center in Canada. This warranty applies only while the product is in use in Canada.

This warranty gives you specific legal rights and you may also have other rights which vary from province to province.

Warranty terms may vary in Canada.

For Sears Warranty information or to contact a Sears Service Center, please reference the service numbers located on the back page of this manual.

**Sears Canada Inc.
Toronto, Ontario, Canada M5B 2B8**

Product Record

In the space following, record your complete model number, serial number, and purchase date. You can find this information on the model and serial number label, located at the top inside dryer door well.

Have this information available to help you quickly obtain assistance or service when you contact Sears concerning your appliance.

Model number 110. _____

Serial number _____

Purchase date _____

Save these instructions and your sales receipt for future reference.

PEDESTAL OPTION WARRANTY

Full One-Year Warranty on Mechanical Parts

For one year from the date of purchase, supplier will repair or replace any of its mechanical parts if defective in material or workmanship. This Pedestal must be installed with this dryer according to the instructions provided in the Pedestal Installation Instructions.

Warranty Restriction

If the Pedestal is subject to other than private family use and/or used with any other product than those listed in the installation instructions, this warranty is null and void.

In the space following, record your complete model number, serial number, and purchase date. You can find this information on the model and serial number label.

Have this information available to help you quickly obtain assistance or service when you contact Sears concerning your appliance.

Model number 110. _____

Serial number _____

Purchase date _____

Save these instructions and your sales receipt for future reference.

DRYER SAFETY

Your safety and the safety of others are very important.

We have provided many important safety messages in this manual and on your appliance. Always read and obey all safety messages.



This is the safety alert symbol.

This symbol alerts you to potential hazards that can kill or hurt you and others.

All safety messages will follow the safety alert symbol and either the word "DANGER" or "WARNING."

These words mean:

⚠ DANGER

You can be killed or seriously injured if you don't immediately follow instructions.

⚠ WARNING

You can be killed or seriously injured if you don't follow instructions.

All safety messages will tell you what the potential hazard is, tell you how to reduce the chance of injury, and tell you what can happen if the instructions are not followed.

IMPORTANT SAFETY INSTRUCTIONS

WARNING: To reduce the risk of fire, electric shock, or injury to persons when using the dryer, follow basic precautions, including the following:

- Read all instructions before using the dryer.
- Do not place items exposed to cooking oils in your dryer. Items contaminated with cooking oils may contribute to a chemical reaction that could cause a load to catch fire.
- Do not dry articles that have been previously cleaned in, washed in, soaked in, or spotted with gasoline, dry-cleaning solvents, other flammable, or explosive substances as they give off vapors that could ignite or explode.
- Do not allow children to play on or in the dryer. Close supervision of children is necessary when the dryer is used near children.
- Before the dryer is removed from service or discarded, remove the door to the drying compartment.
- Do not reach into the dryer if the drum is moving.
- Do not install or store the dryer where it will be exposed to the weather.
- Do not tamper with controls.
- Do not repair or replace any part of the dryer or attempt any servicing unless specifically recommended in this Use and Care Guide or in published user-repair instructions that you understand and have the skills to carry out.
- Do not use fabric softeners or products to eliminate static unless recommended by the manufacturer of the fabric softener or product.
- Do not use heat to dry articles containing foam rubber or similarly textured rubber-like materials.
- Clean lint screen before or after each load.
- Keep area around the exhaust opening and adjacent surrounding areas free from the accumulation of lint, dust, and dirt.
- The interior of the dryer and exhaust vent should be cleaned periodically by qualified service personnel.
- See installation instructions for grounding requirements.

SAVE THESE INSTRUCTIONS

INSTALLATION INSTRUCTIONS

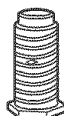
Tools and Parts

Gather the required tools and parts before starting installation. Read and follow the safety instructions provided with any tools listed here.

- Flat-blade screwdriver
- Adjustable wrench that opens to 1" (2.54 cm) or hex-head socket wrench (for adjusting dryer feet)
- Level
- #2 Phillips screwdriver
- Vent clamps
- Caulking gun and compound (for installing new exhaust vent)
- Tin snips (new vent installations)
- ¼" nut driver or socket wrench

Parts supplied

Remove parts package from dryer drum. Check that all parts are included.



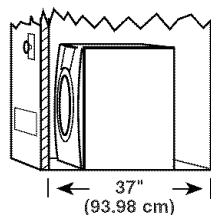
4 Leveling legs

NOTE: Do not use leveling legs if installing the dryer on a pedestal.

Parts needed

Check local codes. Check existing electrical supply and venting. See "Electrical Requirements" and "Venting Requirements" before purchasing parts.

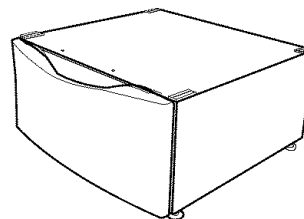
- For close-clearance installations between 31.5" (80.01 cm) and 37" (93.98 cm), see "Plan Vent System" section for venting requirements.



Mobile home installations require metal exhaust system hardware available for purchase from your local Sears store or Sears Service Center. For further information, please call **1-800-4-MY-HOME® (1-800-469-4663)**.

Optional Pedestal

Are you placing the dryer on a pedestal? You have the option of purchasing pedestals of different heights separately for this dryer. You may select a 13" (33 cm) or a 15.5" (39.4 cm) pedestal. These pedestals will add to the total height of the unit for a total height of approximately 51" (129.5 cm) or 53" (135 cm).



Optional pedestal

The pedestal (with storage drawer) is available in several colors. To order, call your local Sears store. For further information, please call **1-800-4-MY-HOME® (1-800-469-4663)**.

Pedestal Height	Color	Part Number
13" (33 cm)	White	43002
13" (33 cm)	Bisque	43004
13" (33 cm)	Graphite	43006
15.5" (39.4 cm)	White	55842
15.5" (39.4 cm)	Bisque	55844
15.5" (39.4 cm)	Graphite	55846
15.5" (39.4 cm)	Pacific Blue	55847
15.5" (39.4 cm)	Champagne	55848
15.5" (39.4 cm)	Sedona	55849

Location Requirements

⚠ WARNING



Explosion Hazard

Keep flammable materials and vapors, such as gasoline, away from dryer.

Place dryer at least 18 inches (46 cm) above the floor for a garage installation.

Failure to do so can result in death, explosion, or fire.

You will need

- A location that allows for proper exhaust installation. See "Venting Requirements."
- A separate 30-amp circuit.
- A grounded electrical outlet located within 2 ft (61 cm) of either side of the dryer. See "Electrical Requirements."
- A sturdy floor to support the total dryer weight of 200 lbs (90.7 kg). The combined weight of a companion appliance should also be considered.
- A level floor with a maximum slope of 1" (2.5 cm) under entire dryer. (If slope is greater than 1" [2.5 cm], install Extended Dryer Feet Kit, Part Number 279810.) Clothes may not tumble properly and automatic sensor cycles may not operate correctly if dryer is not level.
- For a garage installation, you will need to place the dryer at least 18" (46 cm) above the floor. If using a pedestal, you will need an additional 6" (15.24 cm).

Do not operate your dryer at temperatures below 45°F (7°C). At lower temperatures, the dryer might not shut off at the end of an automatic cycle. Drying times can be extended.

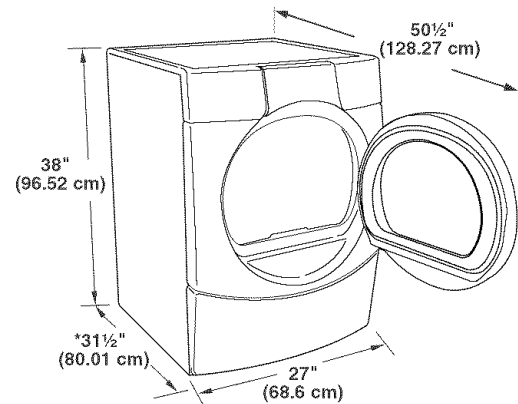
The dryer must not be installed or stored in an area where it will be exposed to water and/or weather.

Check code requirements. Some codes limit, or do not permit, installation of the dryer in garages, closets, mobile homes, or sleeping quarters. Contact your local building inspector.

Installation clearances

The location must be large enough to allow the dryer door to open fully.

Dryer Dimensions



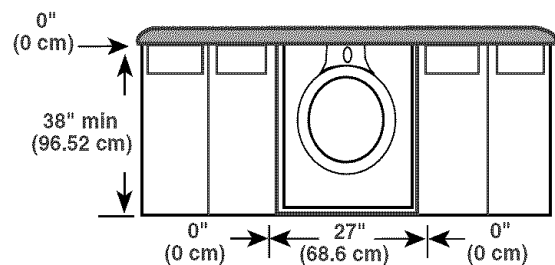
*Most installations require a minimum 5½" (14 cm) clearance behind the dryer for the exhaust vent with elbow. See "Venting Requirements."

Minimum installation spacing for recessed area, custom undercounter or closet installation

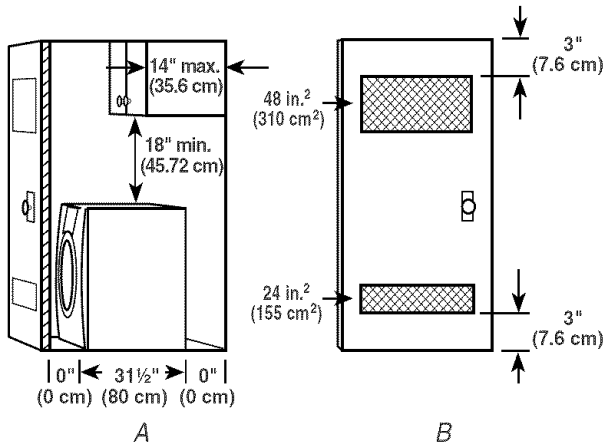
The following dimensions shown are for the minimum spacing allowed.

- Additional spacing should be considered for ease of installation and servicing.
- Additional clearances might be required for wall, door and floor moldings.
- Additional spacing of 1" (2.5 cm) on all sides of the dryer is recommended to reduce noise transfer.
- For closet installation, with a door, minimum ventilation openings in the top and bottom of the door are required. Louvered doors with equivalent ventilation openings are acceptable.
- Companion appliance spacing should also be considered.

Custom undercounter installation - Dryer only

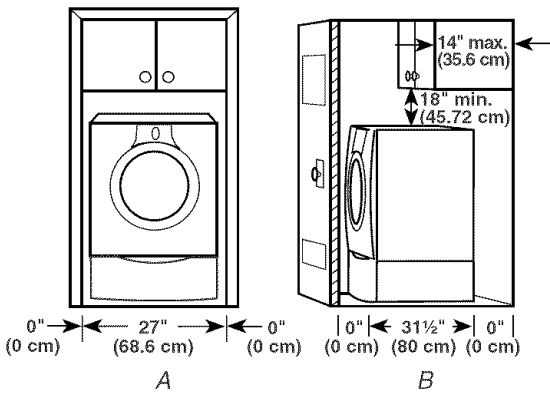


Closet installation - Dryer only



A. Side view - closet or confined area
B. Closet door with vents

Recessed or closet installation - Dryer on pedestal



A. Recessed area
B. Side view - closet or confined area

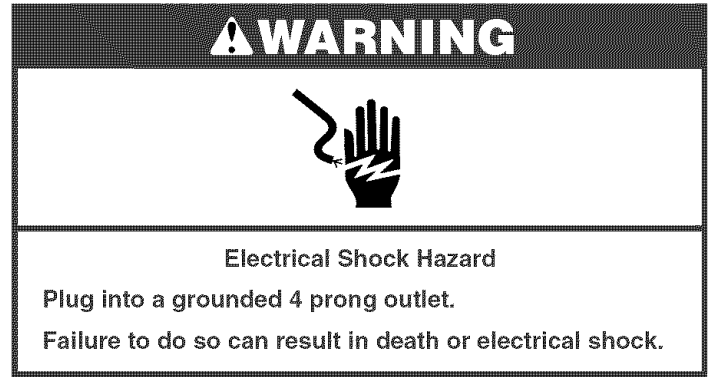
Mobile home - additional installation requirements

This dryer is suitable for mobile home installations. The installation must conform to the Canadian Manufactured Home Standard, CAN/CSA Z240 MH.

Mobile home installations require:

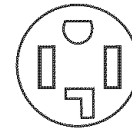
- Metal exhaust system hardware which is available for purchase from your local Sears store or Sears Service Center.
- Special provisions must be made in mobile homes to introduce outside air into the dryer. The opening (such as a nearby window) should be at least twice as large as the dryer exhaust opening.

Electrical Requirements



It is your responsibility

- To contact a qualified electrical installer.
- To be sure that the electrical connection is adequate and in conformance with the Canadian Electrical Code, C22.1-latest edition and all local codes. A copy of the above codes standard may be obtained from: Canadian Standards Association, 178 Rexdale Blvd., Toronto, ON M9W 1R3 Canada.
- To supply the required 4 wire, single phase, 115/230-volt, 60-Hz., AC-only electrical supply on a separate 30-amp circuit, fused on both sides of the line. A time-delay fuse or circuit breaker is recommended. Connect to an individual branch circuit.
- This dryer is equipped with a CSA International Certified Power Cord intended to be plugged into a standard 14-30R wall receptacle. The cord is 5 ft (1.52 m) in length. Be sure wall receptacle is within reach of dryer's final location.



4-wire receptacle 14-30R

- Do not use an extension cord.

If using a replacement power supply cord, it is recommended that you use Power Supply Cord Replacement Part Number 3394208. For further information, please call **1-800-4-MY-HOME® (1-800-469-4663)**.

GROUNDING INSTRUCTIONS

- For a grounded, cord-connected dryer:

This dryer must be grounded. In the event of malfunction or breakdown, grounding will reduce the risk of electric shock by providing a path of least resistance for electric current. This dryer is equipped with a cord having an equipment-grounding conductor and a grounding plug. The plug must be plugged into an appropriate outlet that is properly installed and grounded in accordance with all local codes and ordinances.

WARNING: Improper connection of the equipment-grounding conductor can result in a risk of electric shock. Check with a qualified electrician or service representative or personnel if you are in doubt as to whether the dryer is properly grounded. Do not modify the plug provided with the dryer: if it will not fit the outlet, have a proper outlet installed by a qualified electrician.

SAVE THESE INSTRUCTIONS

IMPORTANT: Observe all governing codes and ordinances.

Improper venting can cause moisture and lint to collect indoors, which may result in:

- Moisture damage to woodwork, furniture, paint, wallpaper, carpets, etc.
- Housecleaning problems and health problems.

Use a heavy metal vent. Do not use plastic or metal foil vent. Rigid metal vent is recommended to prevent crushing and kinking.

Flexible metal vent must be fully extended and supported when the dryer is in its final position. Remove excess flexible metal vent to avoid sagging and kinking that may result in reduced airflow and poor performance.

An exhaust hood should cap the vent to prevent rodents and insects from entering the home.

Exhaust hood must be at least 12" (30.5 cm) from the ground or any object that may be in the path of the exhaust (such as flowers, rocks or bushes, etc.).

If using an existing vent system, clean lint from the entire length of the system and make sure exhaust hood is not plugged with lint. Replace any plastic or metal foil vent with rigid metal or flexible metal vent.

Venting Requirements

WARNING



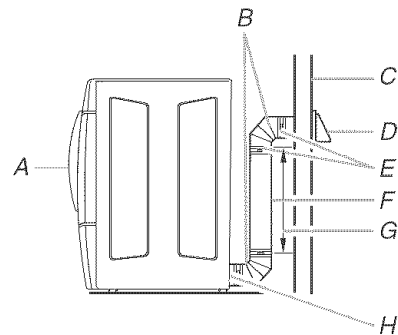
Fire Hazard

- Use a heavy metal vent.
- Do not use a plastic vent.
- Do not use a metal foil vent.
- Failure to follow these instructions can result in death or fire.

Plan Vent System

Typical exhaust installations

Typical installations vent the dryer from the rear of the dryer. Other installations are possible.



- A. Dryer
- B. Elbow
- C. Wall
- D. Exhaust hood
- E. Clamps
- F. Rigid metal or flexible metal vent
- G. Vent length necessary to connect elbows
- H. Exhaust outlet

WARNING: To reduce the risk of fire, this dryer **MUST BE EXHAUSTED OUTDOORS.**

4" (10.2 cm) heavy metal exhaust vent and clamps must be used. DURASAFE™ venting products are recommended and are available from your local Sears store or Sears Service Center.


DURASAFE™ vent products can be purchased from your dealer. For further information, please call **1-800-4-MY-HOME®** (1-800-469-4663) or visit our Internet site at: www.sears.ca.

- The dryer exhaust must not be connected into any gas vent, chimney, wall, ceiling, or a concealed space of a building.
- Do not use an exhaust hood with a magnetic latch.
- Do not install flexible metal vent in enclosed walls, ceilings or floors.
- Use clamps to seal all joints. Exhaust vent must not be connected or secured with screws or other fastening devices which extend into the interior of the duct. Do not use duct tape.

Optional exhaust installations

This dryer can be converted to exhaust out the right side, left side, or through the bottom. Contact your local dealer to have the dryer converted.

⚠ WARNING



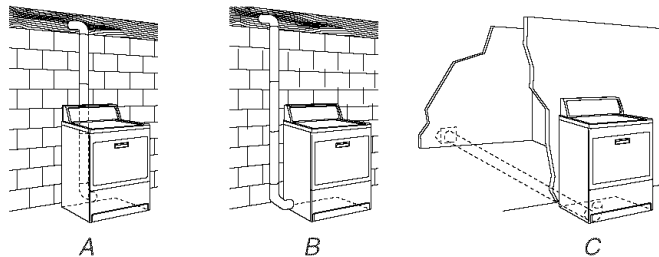
Fire Hazard

Cover unused exhaust holes with one of the following kits:

- 279818 (white)
- 279915 (graphite)
- 279925 (biscuit)
- 280102 (pacific blue)
- 280103 (champagne)
- 280104 (sedona)

Contact your local dealer.

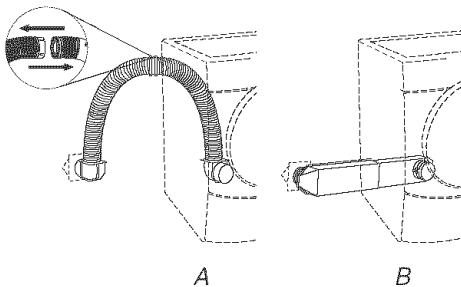
Failure to follow these instructions can result in death, fire, electrical shock, or serious injury.



A. Standard rear offset exhaust installation
 B. Left or right side exhaust installation
 C. Bottom exhaust installation (Not an option with pedestal installations.)

Alternate installations for close clearances

Venting systems come in many varieties. Select the type best for your installation. Two close-clearance installations are shown. Refer to the manufacturer's instructions.



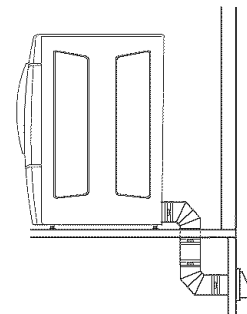
A. Over-The-Top installation (also available with one offset elbow)
 B. Periscope installation

NOTE: The following kits for close clearance alternate installations are available for purchase. For further information, please call **1-800-4-MY-HOME® (1-800-469-4663)**.

- Over-The-Top Installation:
Part Number 26-49900
- Periscope Installation (For use with dryer vent to wall vent mismatch):
 Part Number 26-49901 - Less than 5" (12.7 cm) mismatch
 Part Number 26-49908 - 5" (12.7 cm) to 18" (45.72 cm) mismatch
 Part Number 26-49904 - 18" (45.72 cm) to 29" (73.66 cm) mismatch
 Part Number 26-49905 - 29" (73.66 cm) to 50" (127 cm) mismatch

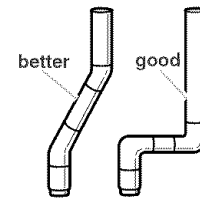
Special provisions for mobile home installations

The exhaust vent must be securely fastened to a noncombustible portion of the mobile home structure and must not terminate beneath the mobile home. Terminate the exhaust vent outside.



Determine vent length

1. Select the route that will provide the straightest and most direct path outdoors. Plan the installation to use the fewest number of elbows and turns. When using elbows or making turns, allow as much room as possible. Bend vent gradually to avoid kinking. Avoid 90° turns when possible.

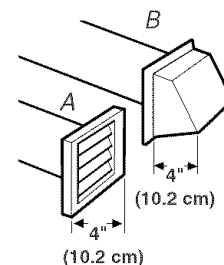


2. Determine vent length

The maximum length of the exhaust system depends upon:

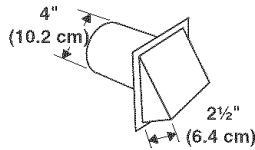
- The type of vent (rigid metal or flexible metal).
- The number of elbows used.
- Type of hood.

Recommended hood styles are shown here.



A. Louvered hood style
 B. Box hood style

The angled hood style (shown following) is acceptable.



See the exhaust vent length chart that matches your hood type for the maximum vent lengths you can use.

Exhaust systems longer than specified will:

- Shorten the life of the dryer.
- Reduce performance, resulting in longer drying times and increased energy usage.

3. Determine the number of elbows you will need.

IMPORTANT: Do not use vent runs longer than those specified in the Vent Length Chart.

The following chart helps you determine your maximum vent length based on the number of 90° turns or elbows you will need and the type of vent (rigid or flexible metal) and hood that you will use.

Vent Length Chart

Number of 90° turns or elbows	Type of vent	Box or Louvered hoods	Angled hoods
0	Rigid metal	64 ft (20 m)	58 ft (17.7 m)
	Flexible metal	36 ft (11 m)	28 ft (8.5 m)
1	Rigid metal	54 ft (16.5 m)	48 ft (14.6 m)
	Flexible metal	31 ft (9.4 m)	23 ft (7 m)
2	Rigid metal	44 ft (13.4 m)	38 ft (11.6 m)
	Flexible metal	27 ft (8.2 m)	19 ft (5.8 m)
3	Rigid metal	35 ft (10.7 m)	29 ft (8.8 m)
	Flexible metal	25 ft (7.6 m)	17 ft (5.2 m)
4	Rigid metal	27 ft (8.2 m)	21 ft (6.4 m)
	Flexible metal	23 ft (7 m)	15 ft (4.6 m)

NOTE: Side and bottom exhaust installations have a 90° turn inside the dryer. To determine maximum exhaust length, add one 90° turn to the chart.

Install Vent System

1. Install exhaust hood. Use caulking compound to seal exterior wall opening around exhaust hood.
2. Connect vent to exhaust hood. Vent must fit inside exhaust hood. Secure vent to exhaust hood with 4" (10.2 cm) clamp.
3. Run vent to dryer location. Use the straightest path possible. See "Determine vent length." Avoid 90° turns. Use clamps to seal all joints. Do not use duct tape, screws or other fastening devices that extend into the interior of the vent to secure vent.

Install Leveling Legs

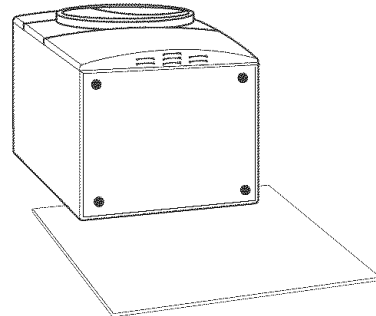
⚠ WARNING

Excessive Weight Hazard

Use two or more people to move and install dryer.

Failure to do so can result in back or other injury.

1. To protect the floor, use a large flat piece of cardboard from the dryer carton. Place cardboard under the entire back edge of the dryer. See illustration.
2. Firmly grasp the body of the dryer (not the console panel). Gently lay the dryer on the cardboard.



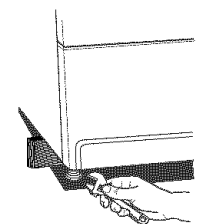
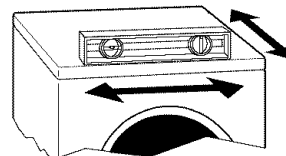
3. Examine the leveling legs. Find the diamond marking.



4. Screw the legs into the leg holes by hand. Use a wrench to finish turning the legs until the diamond marking is no longer visible.
5. Place a carton corner post under each of the 2 dryer back corners. Stand the dryer up. Slide the dryer on the corner posts until it is close to its final location. Leave enough room to connect the exhaust vent.
6. Once connection is made and dryer is in final location, remove corner posts and cardboard.

Level Dryer

Check the levelness of the dryer. Check levelness first side to side, then front to back.



If the dryer is not level, prop up the dryer using a wood block. Use a wrench to adjust the legs up or down and check again for levelness.

NOTE: It might be necessary to level the dryer again after it has been moved into its final position.

Connect Vent

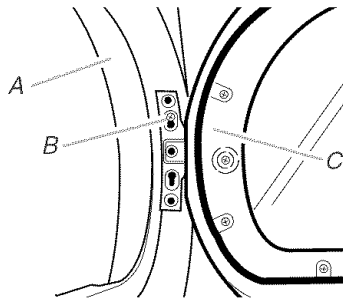
- Using a 4" (10.2 cm) clamp, connect vent to exhaust outlet in dryer. If connecting to existing vent, make sure the vent is clean. The dryer vent must fit over the dryer exhaust outlet and inside the exhaust hood. Make sure the vent is secured to exhaust hood with a 4" (10.2 cm) clamp.
- Move dryer into final position. Do not crush or kink vent. Make sure dryer is level.
- (On gas models) Check to be sure there are no kinks in the flexible gas line.

Reverse Door Swing

You can change your door swing from a right-side opening to a left-side opening, if desired.

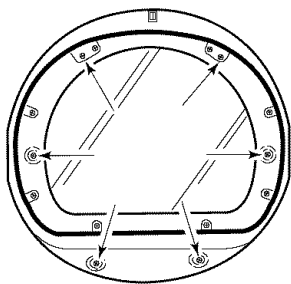
Remove the door

- Place a towel or soft cloth on top of the dryer or work space to protect the surface.
- Open the dryer door. Remove the 4 screws that hold the door hinge on the front panel of the dryer. Loosen, but do not remove, the screw with the top keyhole opening last (2nd from the top).



A. Dryer
B. Do not remove
C. Dryer door

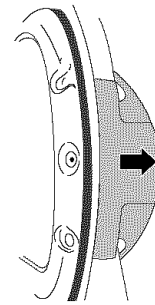
- Lift and pull forward on the door so that the keyhole clears the screw head. Remove the door.
- Lay the dryer door on a flat, protected surface with the inside door assembly facing up. Remove the last screw from Step 2. Remove the 6 screws to release the outer door assembly from the inner door assembly, as indicated below. See illustration. It is important that you remove only the 6 indicated screws.



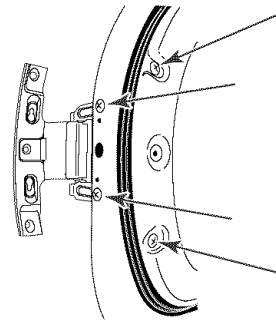
- Lift the inner door assembly off of the outer door assembly. Set the outer door assembly aside.

Reverse the hinge and hinge cover

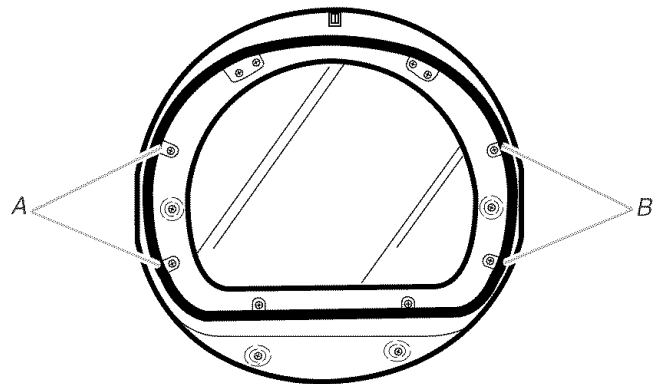
- Place the inner door, screw head side up, on the work space.
- Gently pull the plastic cover out and down. This unsnaps the plastic hinge cover from the inside door assembly.



- Remove the 4 screws that hold the hinge to the door.

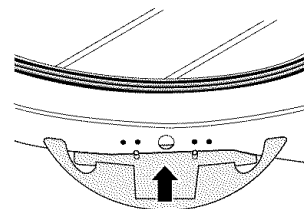


- Move the 2 large hole screw plugs to the opposite side and insert in the original screw holes.



A. Hinge screws
B. Hole screw plugs

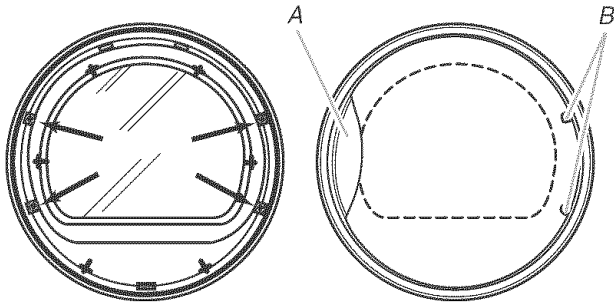
- Move hinge to the other side and reattach with the 4 screws removed in Step 3.
- Reverse the plastic cover. Slide it up over the inner door assembly edge and gently snap into place.



- Set the inner door assembly aside.

Reverse the door handle

1. Place the outer door assembly face down on work space.
2. Remove the 2 screws that hold the door handle and the 2 screws holding the hole plugs. If hole plugs do not easily fall out after screws are removed, insert a small screwdriver into the holes and gently push the plugs out.

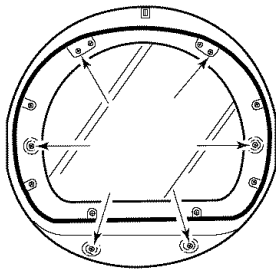


A. Door handle
B. Hole plugs

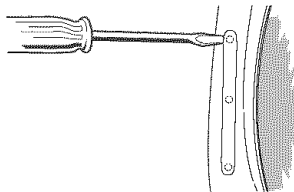
3. Move the door handle to the other side and reattach with the 2 screws removed from the door handle in Step 2.
4. Move the hole plugs to the new hinge side and attach with the 2 screws removed from the hole plugs in Step 2.

Reinstalling the door

1. Check for fingerprints on the glass. Clean if necessary.
2. Place the inner door assembly into the outer door assembly. Align the hinge cover and hinge in the openings on each side. To fit correctly, the inside door assembly edge is completely inside the outside door assembly edge.
3. Reassemble the inner and outer door assemblies with the 6 screws.

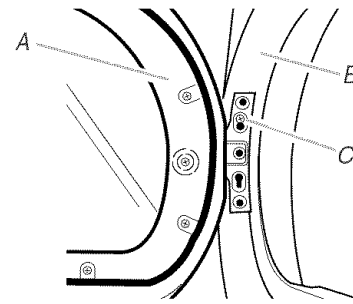


4. Use a small flat-blade screwdriver to remove plug strip from the door opening. Slide the head of the screwdriver under the top portion of the plug strip, being careful not to scratch the dryer surface. Lift up. Repeat in the middle and at the bottom. Remove the plug strip in the door opening and insert in the opposite side.



5. Insert a screw in the 2nd opening from the top of the hinge opening and partially tighten. Hang the door by placing the top hinge keyhole over the 2nd screw head and tighten the

screw. By putting this screw in first, the door will hang in place while you insert and tighten the remaining 4 screws.



A. Dryer door
B. Dryer
C. Insert this screw first

6. Close the door and check that it latches securely.

Complete Installation

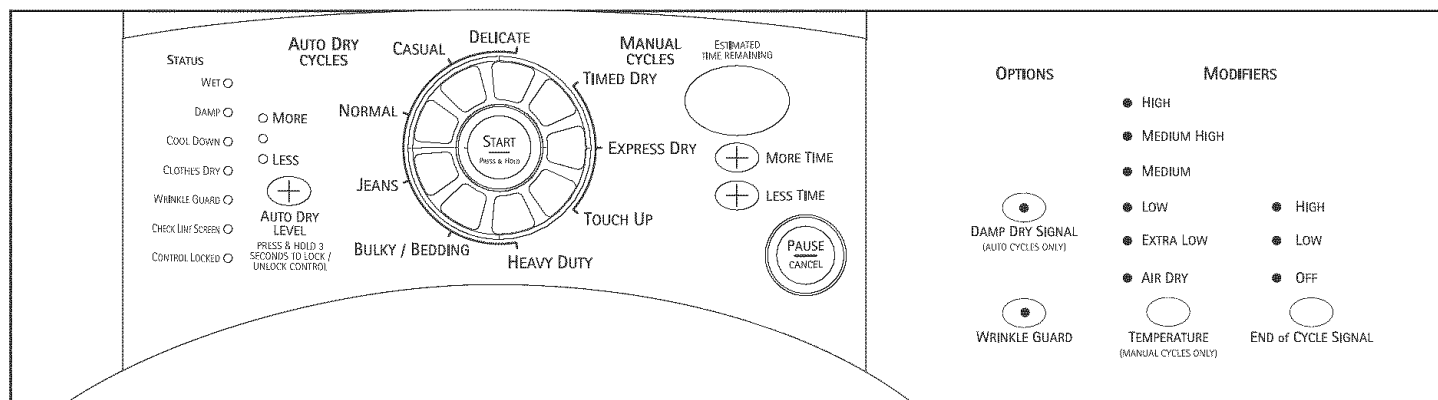
1. Check to be sure all parts are now installed. If there is an extra part, go back through the steps to see which step was skipped.
2. Check to be sure you have all of your tools.
3. Dispose of/recycle all packaging materials.
4. Check the dryer's final location. Be sure the vent is not crushed or kinked.
5. Check to be sure the dryer is level. See "Level Dryer."
6. Plug into a grounded outlet. Turn on power.
7. Remove the blue protective film on the console and any tape remaining on the dryer.
8. Read "Dryer Use."
9. Wipe the dryer drum interior thoroughly with a damp cloth to remove any dust.
10. Set the dryer on a full heat cycle (not an air cycle) for 20 minutes and start the dryer.

If the dryer will not start, check the following:

- Controls are set in a running or "On" position.
 - Start button has been pushed firmly.
 - Dryer is plugged into a grounded outlet.
 - Electrical supply is connected.
 - House fuse is intact and tight, or circuit breaker has not tripped.
 - Dryer door is closed.
11. When the dryer has been running for 5 minutes, open the dryer door and feel for heat.
- ### If you do not feel heat, turn off the dryer and check the following:
- There may be 2 fuses or circuit breakers for the dryer. Check to make sure both fuses are intact and tight, or that both circuit breakers have not tripped. If there is still no heat, contact a qualified technician.

NOTE: You may notice a burning odor when the dryer is first heated. This odor is common when the heating element is first used. The odor will go away.

DRYER USE



Starting Your Dryer

⚠ WARNING



Explosion Hazard

Keep flammable materials and vapors, such as gasoline, away from dryer.

Do not dry anything that has ever had anything flammable on it (even after washing).

Failure to follow these instructions can result in death, explosion, or fire.

⚠ WARNING



Fire Hazard

No washer can completely remove oil.

Do not dry anything that has ever had any type of oil on it (including cooking oils).

Items containing foam, rubber, or plastic must be dried on a clothesline or by using an Air Cycle.

Failure to follow these instructions can result in death or fire.

WARNING: To reduce the risk of fire, electric shock, or injury to persons, read the IMPORTANT SAFETY INSTRUCTIONS before operating this appliance.

Follow these basic steps to start your dryer. Please refer to specific sections of this manual for more detailed information.

1. Clean lint screen before or after each cycle. See "Cleaning the Lint Screen."
2. Place laundry in dryer and shut door. See "Loading."
3. Press the selected cycle pad. The preset settings for Auto Dry Cycles or Manual Cycles will glow. The estimated or actual cycle time (in minutes) will show in the display.

To use an Auto Dry Cycle

- Select an Auto Dry Cycle.
- Select AUTO DRY LEVEL to adjust how dry you want the load. As the cycle runs, the control senses the dryness of the load and adjusts the time automatically for the selected dryness level.
- Select the desired Options.

To make changes during an Auto Dry Cycle:

- Press PAUSE/CANCEL.
- Adjust Auto Dry Level and/or Options.

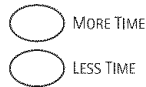
NOTE: Auto Dry Level selections can be made only while using Auto Dry Cycles. You can select a different dryness level, depending on your load, by pressing Auto Dry Level and choosing More or Less. Selecting More or Less automatically adjusts the sensed time needed.



To use a Manual Cycle

- Select a Manual Cycle.
- Press MORE TIME or LESS TIME until the desired drying time is displayed. Tap MORE TIME or LESS TIME and the time will change by 1-minute intervals. Press and hold MORE TIME or LESS TIME and the time will change by 5-minute intervals.

NOTE: The More Time and Less Time features can be used only with Manual Cycles.



- Press TEMPERATURE until the desired temperature glows.

NOTE: During a Manual Cycle, you can change the settings for Time, Temperature, WRINKLE GUARD® and End of Cycle Signal. Press PAUSE/CANCEL twice to stop the dryer and clear the settings. Select another cycle or option.

- (OPTIONAL STEP) If desired, select OPTIONS. For more details, see "Options."
- (OPTIONAL STEP) If desired, set the END of CYCLE SIGNAL. Select HIGH or LOW to alert you when a cycle ends.
- Press and hold START for approximately 3 seconds until dryer starts. Be sure the door is closed.
 - If you do not press Start within 5 minutes of selecting the cycle, the dryer automatically shuts off.
 - If you wish to end your drying cycle after pressing Start, press PAUSE/CANCEL twice.

Stopping Your Dryer

To stop your dryer at any time

Press PAUSE/CANCEL twice or open the door.

Pausing or Restarting

To pause the dryer at any time

Open the door or press PAUSE/CANCEL once.

To restart the dryer

Close the door. Press and hold START until dryer starts.

NOTE: Drying will continue from where the cycle was interrupted if you close the door and press Start within 5 minutes. If the cycle is interrupted for more than 5 minutes, the dryer will shut off. Select new cycle settings before restarting the dryer.

Control Locked

This feature allows you to lock your settings to prevent unintended use of the dryer. You can also use the Control Locked feature to prevent unintended cycle or option changes during dryer operation.

To enable the Control Locked feature:

Press and hold AUTO DRY LEVEL for 3 seconds. Control Locked glows and a single beep tone is heard. To unlock, press and hold AUTO DRY LEVEL for 3 seconds. The indicator light turns off.

Loading

Properly loading your dryer can lower your utility bill and prolong the life of your garments.

Loading suggestions

- Load the dryer by the amount of space items take up, not by their weight.
- Do not overload the dryer. This causes uneven drying and wrinkling.

Super Capacity Dryers

Heavy Work Clothes

4 jeans	2 sweatpants
4 workpants	2 sweatshirts
4 workshirts	

Towels

10 bath towels	14 washcloths
10 hand towels	

Mixed Load

3 sheets (1 king, 2 twin)	9 T-shirts
4 pillowcases	9 shorts
3 shirts	10 handkerchiefs
3 blouses	

Drying and Cycle Tips

Select the correct cycle and dryness level or temperature for your load. If an Auto Dry Cycle is running, the display shows the estimated cycle time when your dryer is automatically sensing the dryness level of your load. If a Manual Cycle is running, the display shows the exact number of minutes remaining in the cycle.

Cool Down tumbles the load without heat during the last few minutes of all cycles. Cool Down makes the loads easier to handle and reduces wrinkling. The length of the Cool Down depends on the load size and dryness level.

Drying tips

- Follow care label directions when they are available.
- If desired, add a fabric softener sheet. Follow package instructions.
- To reduce wrinkling, remove the load from the dryer as soon as tumbling stops. This is especially important for permanent press, knits, and synthetic fabrics.
- Avoid drying heavy work clothes together with lighter fabrics. This could cause overdrying of lighter fabrics and lead to increased shrinkage or wrinkling.

Cycle tips

- Dry most loads using the preset cycle settings.
- Refer to the Auto Dry chart or Manual Preset Cycle Settings chart (in the "Cycles" section) for a guide to drying various loads.
 - Drying temperature and Auto Dry Level are preset when you choose an Auto Dry Cycle. You can select a different dryness level, depending on your load, by pressing Auto Dry Level and choosing More or Less.
 - If you wish to adjust the cycle length of a Manual Cycle, press More Time or Less Time. Adjust the temperature of a Manual Cycle by pressing Temperature until the desired temperature is selected.

NOTE: You cannot choose an Auto Dry Level with Manual Cycles.

Status Lights

Follow the progress of your dryer with the drying Status indicator lights.

- WET ●
- DAMP ●
- COOL DOWN ●
- CLOTHES DRY ●
- WRINKLE GUARD ●
- CHECK LINT SCREEN ●
- CONTROL LOCKED ●

Wet

The Wet light glows at the beginning of Auto Dry or Manual cycles if a wet item is detected.

- In an Auto Dry Cycle, if a wet item is not detected after 5 minutes, the dryer goes directly into Cool Down and the Cool Down and WRINKLE GUARD® indicators glow, if selected.
- In a Manual Cycle, if a wet item is not detected, the dryer will continue to run for the length of time selected, but the Wet light will not glow.

Damp

The Damp light glows in an Auto Dry Cycle when the laundry is approximately 80% dry. Damp Dry Signal beeps, if selected. See "Options."

Cool Down

The Cool Down light glows during the cool down part of the cycle. Laundry cools for ease in handling.

Clothes Dry

The Clothes Dry light glows when the drying cycle is finished. This indicator stays on during WRINKLE GUARD®.

WRINKLE GUARD®

The WRINKLE GUARD® light glows when this option is selected. This indicator stays on with Clothes Dry.

Check Lint Screen

The Check Lint Screen light reminds you to check the lint screen. The light glows when the user selects a cycle. It goes out when the door is opened, Start is pressed, or after 5 minutes elapses.

Control Locked

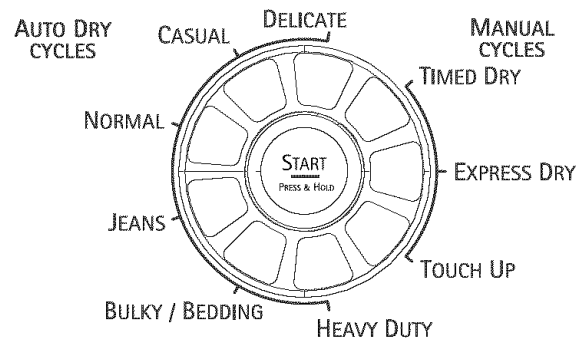
The Control Locked light glows when this option is enabled.

Indicator lights

Other indicator lights show Cycle, Options, Modifiers and End of Cycle settings selected. The display shows the estimated or actual time remaining.

Cycles

Select the drying cycle that matches the type of load you are drying. See Auto Dry chart or Manual Preset Cycle Settings chart.



Auto Dry Cycles

Auto Dry Cycles allow you to match the cycle to the load you are drying. See the following Auto Dry Preset Cycle Settings chart. Each cycle dries certain fabrics at the recommended temperature. A sensor detects the moisture in the load and automatically adjusts the drying time for optimal drying.

Heavy Duty

Use this cycle to get high heat for heavy fabrics such as cotton towels or bedspreads.

Bulky/Bedding

Use this cycle to get medium heat for drying large items that require long drying times, such as jackets, comforters and pillows. Rearrange the load when the Damp Dry Signal sounds. This will aid in the drying process. The Damp Dry Signal is preset to ON. See "Options."

Jeans

Use this cycle to get medium high heat for drying denims.

Normal

Use this cycle to get medium heat for drying sturdy fabrics such as work clothes.

Casual

Use this cycle to get low heat for drying no-iron fabrics, such as sport shirts, casual business clothes and permanent press blends.

Delicate

Use this cycle to get extra-low heat to gently dry items such as lingerie, blouses, or washable knit fabrics.

Auto Dry Preset Cycle Settings

Auto Dry Cycles Load Type	Temperature	Time* (Minutes)
HEAVY DUTY Heavyweight, towels	High	44
BULKY/BEDDING Jackets, comforters, pillows	Medium	64
JEANS Denim jeans, jackets	Medium High	54
NORMAL Corduroys, work clothes	Medium	41
CASUAL Permanent press, synthetics	Low	36
DELICATE Lingerie, blouses, washable knit fabrics	Extra Low	22

*Estimated Time with Auto Dry Level (Normal) setting. Time will vary depending on load type and load size.

Manual Cycles

Use Manual Cycles to select a specific amount of drying time and a drying temperature. When a Manual Cycle is selected, the Estimated Time Remaining display shows the actual time remaining in your cycle. You can change the actual time in the cycle by pressing More Time or Less Time. See "Changing Cycles, Options and Modifiers."

Timed Dry

Use this cycle to complete drying if items are still damp after an Auto Dry Cycle. Timed Dry is also useful for drying heavyweight and bulky items, such as bedspreads and work clothes. Lightweight garments, such as exercise wear, can be dried using Timed Dry on a low temperature setting.

EXPRESS DRY™

Use this cycle for drying small loads or loads that need a short drying time.

Touch Up

Use this cycle to remove wrinkles from items, such as clothes packed in a suitcase or items wrinkled from being left in the dryer too long.

Manual Preset Cycle Settings

Manual Cycles Load Type	Temperature	Default Time (Minutes)
TIMED DRY Heavyweight, bulk, bedspreads, work clothes	High	40
EXPRESS DRY™ Small loads	High	27
TOUCH UP Remove wrinkles	Medium High	20

Options

You can customize your cycles by selecting options.



DAMP DRY SIGNAL
(AUTO CYCLES ONLY)



WRINKLE GUARD

Damp Dry Signal

Select the Damp Dry Signal to alert you that your clothes are approximately 80% dry. This is useful when you want to remove lightweight items in a mixed load to prevent overdrying or remove partially dry items that may need ironing.

The Damp Dry Signal is useful when drying bedsheets/linens in a mixed load or large items in the "Bulky/Bedding" cycle. When the signal goes off, open the door to stop the dryer, rearrange the load inside the dryer, close the door and restart the dryer to finish the drying cycle. Rearranging the load will aid in the drying process.

For the "Bulky/Bedding" cycle, the Damp Dry Signal is preset to ON.

NOTE: The Damp Dry Signal is available only with the Auto Dry Cycles.

WRINKLE GUARD®

WRINKLE GUARD® prevents wrinkles that form when you cannot unload the dryer promptly at the end of a cycle. During this option, the dryer stops tumbling and then tumbles again for a brief period.

- Press WRINKLE GUARD® to get up to 2½ hours of heat-free, periodic tumbling at the end of a cycle.
- Stop WRINKLE GUARD® at any time by pressing WRINKLE GUARD® or opening the dryer door.
- For the Casual Auto Dry Cycle, WRINKLE GUARD® is preset to ON. The other Auto Dry Cycles will retain the WRINKLE GUARD® setting. For example, if you select WRINKLE GUARD® in the Normal cycle, WRINKLE GUARD® will be on the next time you select the Normal cycle.

NOTE: If you do not select WRINKLE GUARD®, the dryer stops after cool down.

Modifiers

Use Modifiers to select temperatures for the Manual Cycles. Press Temperature until the desired temperature setting glows. Temperature modifiers cannot be used with the Auto Dry Cycles.

- HIGH
- MEDIUM HIGH
- MEDIUM
- LOW
- EXTRA LOW
- AIR DRY



Air Dry

Use the Air Dry Modifier for items that require drying without heat such as rubber, plastic and heat-sensitive fabrics. This table shows examples of items that can be dried using Air Dry.

Type of Load	Time* (Minutes)
Foam rubber - pillows, padded bras, stuffed toys	20 - 30
Plastic - Shower curtains, tablecloths	20 - 30
Rubber-backed rugs	40 - 50
Olefin, polypropylene, sheer nylon	10 - 20

*Reset cycle to complete drying, if needed.

When using Air Dry

- Check to see that coverings are securely stitched.
- Shake and fluff pillows by hand periodically during the cycle.
- Dry item completely. Foam rubber pillows are slow to dry.

NOTE: Air Dry is not available with Auto Dry Cycles.

Changing Cycles, Options and Modifiers

You can change Auto Dry and Manual Cycles, Options and Modifiers any time before pressing Start.

- Three short tones sound if an unavailable combination is selected. The last selection will not be accepted.

Changing Cycles after pressing Start

1. Press PAUSE/CANCEL twice.
2. Select the desired cycle and options.
3. Press and hold START. The dryer starts at the beginning of the new cycle.

NOTE: If you do not press Start within 5 minutes of selecting the cycle, the dryer automatically shuts off.

Changing Options and Modifiers after pressing Start

You can change an Option or Modifier anytime before the selected Option or Modifier begins.

1. Press PAUSE/CANCEL once.
2. Select the new Option and/or Modifiers.
3. Press and hold START to continue the cycle.

NOTE: If you happen to press Pause/Cancel twice, the program clears and your dryer shuts down. Restart the selection process.

End of Cycle Signal

End of Cycle Signal

The End of Cycle Signal produces an audible sound when the drying cycle is finished. Promptly removing clothes at the end of the cycle reduces wrinkling.

- HIGH
- LOW
- OFF



Press END of CYCLE SIGNAL to adjust the sound level or turn off the signal.

NOTE: When WRINKLE GUARD® is selected and the End of Cycle Signal is on, a tone sounds every 5 minutes until the clothes are removed, or WRINKLE GUARD® ends.

TUMBLE FREE™ Heated Dryer Rack

The dryer rack is shipped in place in your dryer. Remove and discard any packing material before use.

Use the TUMBLE FREE™ Heated Dryer Rack for items that you do not want to tumble dry, such as sweaters. When you use the heated dryer rack, the heated air inside the dryer flows in a concentrated pattern to allow efficient and uniform drying.

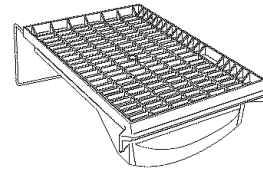
Use Timed Dry to select the desired time.

NOTE: Do not use Auto Cycles with the dryer rack.

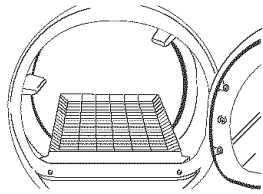
To use the heated dryer rack:

Do not remove the lint screen.

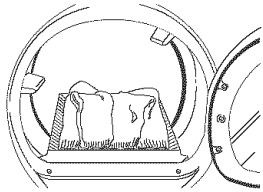
1. Open dryer door.



- Place dryer rack over the bottom of the dryer door opening. Rest the back wire on the dryer back ledge. Push down on the frame front to secure over lint screen.



- Place wet items on top of the rack. Allow space around items for air to circulate. The rack does not move, but the drum will rotate. Make sure items do not hang over the edges or between rack grille.



- Close the door.
- Select **TIMED DRY** and **MORE TIME** or **LESS TIME**. Reset time as needed to complete drying. Refer to the following table.
- Select the desired temperature setting to match the fabrics in your load by pressing **TEMPERATURE**. Items containing foam, rubber, or plastic must be dried on a clothesline or by using the **Air Dry** temperature setting. Refer to the following table.
- Start the dryer.

NOTE: You must remove rack for normal tumbling. To remove the dryer rack, lift it straight up and out of the dryer.

NOTE: Check the lint screen and remove any lint accumulated from items dried on the rack.

Suggested Items for Rack Drying	Temperature Setting	Suggested Time* (Minutes)
Washable wool items (block to shape and lay flat on rack)	Low	20
Stuffed toys (cotton or polyester fiber filling)	Low	20
Stuffed toys (foam rubber filled)	Air Dry	50
Galoshes (rubber)	Air Dry	20
Foam rubber pillows	Air Dry	50
Tennis shoes	Air Dry	20

*Reset time as needed to complete drying.

DRYER CARE

Cleaning the Dryer Location

Keep dryer area clear and free from items that would obstruct the flow of combustion and ventilation air.

⚠ WARNING



Explosion Hazard

Keep flammable materials and vapors, such as gasoline, away from dryer.

Place dryer at least 18 inches (46 cm) above the floor for a garage installation.

Failure to do so can result in death, explosion, or fire.

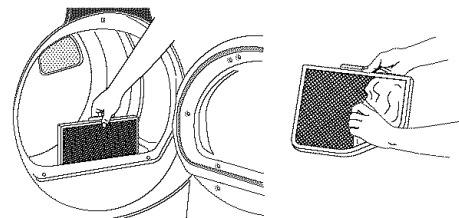
Cleaning the Lint Screen

Every load cleaning

The lint screen is located in the door opening of the dryer. The control panel has an indicator light to remind you to clean the lint screen before or after each load. A screen blocked by lint can increase drying time.

To clean

- Pull the lint screen straight up. Roll lint off the screen with your fingers. Do not rinse or wash screen to remove lint. Wet lint is hard to remove.



- Push the lint screen firmly back into place.

IMPORTANT:

- Do not run the dryer with the lint screen loose, damaged, blocked, or missing. Doing so can cause overheating and damage to both the dryer and fabrics.
- Some towels made of synthetic fibers and natural fibers (polyester and cotton blends) may shed more lint than other towels, causing your dryer's lint screen to fill up faster. Be sure to remove lint from the lint screen before and after drying new towels.
- If lint falls off the screen into the dryer during removal, check the exhaust hood and remove the lint. See "Venting Requirements."

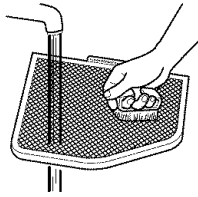
As needed cleaning

Laundry detergent and fabric softener residue can build up on the lint screen. This buildup can cause longer drying times for your clothes, or cause the dryer to stop before your load is completely dry. The screen is probably clogged if lint falls off while the screen is in the dryer.

Clean the lint screen with a nylon brush every 6 months, or more frequently, if it becomes clogged due to a residue buildup.

To wash

1. Roll lint off the screen with your fingers.
2. Wet both sides of lint screen with hot water.
3. Wet a nylon brush with hot water and liquid detergent. Scrub lint screen with the brush to remove residue buildup.



4. Rinse screen with hot water.
5. Thoroughly dry lint screen with a clean towel. Replace screen in dryer.

Cleaning the Dryer Interior

To clean dryer drum

1. Make a paste with powdered laundry detergent and very warm water.
2. Apply paste to a soft cloth.

OR

Apply a liquid, nonflammable household cleaner to the stained area and rub with a soft cloth until all excess dye and stains are removed.

3. Wipe drum thoroughly with a damp cloth.
4. Tumble a load of clean cloths or towels to dry drum.

NOTE: Garments which contain unstable dyes, such as denim blue jeans or brightly colored cotton items, may discolor the dryer interior. These stains are not harmful to your dryer and will not stain future loads of clothes. Dry unstable dye items inside out to prevent dye transfer.

Removing Accumulated Lint

From Inside the Dryer Cabinet

Lint should be removed every 2 years or more often, depending on dryer usage. Cleaning should be done by a qualified person.

From the Exhaust Vent

Lint should be removed every 2 years, or more often, depending on dryer usage.

Vacation and Moving Care

Vacation care

Operate your dryer only when you are at home. If you will be on vacation or not using your dryer for an extended period of time, you should:

1. Unplug dryer or disconnect power.
2. Clean lint screen. See "Cleaning the Lint Screen."

Moving care

For power supply cord-connected dryers:

1. Unplug the power supply cord.
2. Make sure leveling legs are secure in dryer base.
3. Use masking tape to secure dryer door.

⚠ WARNING



Electrical Shock Hazard

Disconnect power before servicing.

Replace all parts and panels before operating.

Failure to do so can result in death or electrical shock.

For direct-wired dryers:

1. Disconnect wiring.
2. Make sure leveling legs are secure in dryer base.
3. Use masking tape to secure dryer door.

Changing the Drum Light

The dryer light automatically turns on inside the dryer drum when you open the door.

To change the drum light

1. Unplug dryer or disconnect power.
2. Open the dryer door. Locate the light bulb cover on the back wall of the dryer. Remove the screw located in the lower right corner of the cover. Remove the cover.
3. Turn bulb counterclockwise. Replace the bulb with a 10-watt appliance bulb only. Replace the cover and secure with the screw.
4. Plug in dryer or reconnect power.

TROUBLESHOOTING

First try the solutions suggested here and possibly avoid the cost of a service call...

Dryer displaying code message

- **“PF” (power failure), check the following:**
Was the drying cycle interrupted by a power failure?
Press and hold START to restart the dryer.
 - **“E” Variable (E1, E2, E3) service codes:**
Call for service.
-

Clothes are not drying satisfactorily

- **Check the following:**
Is the lint screen clogged with lint?
 - Is the exhaust vent or outside exhaust hood clogged with lint, restricting air movement? Run the dryer for 5-10 minutes. Hold your hand under the outside exhaust hood to check air movement. If you do not feel air movement, clean exhaust system of lint or replace exhaust vent with heavy metal or flexible metal vent. See “Installation Instructions.”
 - Is the exhaust vent crushed or kinked? Replace with a heavy metal or flexible metal vent. See “Installation Instructions.”
 - Has a fuse blown, or has a circuit breaker tripped? Electric dryers use 2 household fuses or breakers. The drum may be turning, but you may not have heat.
 - Has an Air Dry cycle been selected? Select the right cycle for the types of garments being dried. See “Cycles.”
 - Is an automatic cycle ending early? The load may not be contacting the electronic sensor strips, level the dryer.
 - Are fabric softener sheets blocking the grille? Use only one fabric softener sheet and use it only once.
 - **Is the dryer located in a room with temperature below 45°F (7°C)?**
Proper operation of dryer cycles requires temperatures above 45°F (7°C).
 - **Was a cold rinse water used? Was the load very wet?**
Expect longer drying times with items rinsed in cold water and with items that hold moisture (cottons).
 - **Is the load too large and heavy to dry quickly?**
Separate the load to tumble freely.
-

Dryer will not run

- **Check the following:**
Is the power cord plugged in?
Has a fuse blown, or has a circuit breaker tripped?
Was a regular fuse used? Use a time-delay fuse.
Is the dryer door firmly closed?
Was Start firmly pressed and held for at least 1 second?
Is a cycle selected?
-

Unusual sounds

- **Has the dryer had a period of non-use?**
If the dryer hasn't been used for a while, there may be a thumping sound during the first few minutes of operation.
-

Lint on load

- **Is the lint screen clogged?**
Clean lint screen. Check for air movement.
 - **Is load properly sorted?**
Sort lint givers (towels, chenille) from lint takers (corduroy, synthetics). Also sort by color.
 - **Is the load too big or too heavy?**
Dry smaller loads so lint can be carried to the lint screen.
 - **Was the load overdried?**
Use correct dryer settings for load type. See “Changing Cycles, Options and Modifiers.” Overdrying can cause lint-attracting static electricity.
 - **Was paper or tissue left in pockets?**
 - **Is pilling being mistaken for lint?**
Pilling (surface fuzz) is caused by normal wear and laundering.
-

Stains on load or color change

- **Was dryer fabric softener properly used?**
Add dryer fabric softener sheets at the beginning of the cycle when the load is cold. Do not add fabric softener sheets to a warm load.
 - **Were items soiled when placed in the dryer?**
Items should be clean before being dried.
 - **Were items properly sorted?**
Sort light colors from dark colors. Sort colorfast items from noncolorfast items.
-

Items shrinking

- **Was the dryer overloaded?**
Dry smaller loads that can tumble freely.
- **Did the load overdry?**
Check the manufacturer's care label. Match dryer setting to load type. See "Cycles."

Loads are wrinkled

- **Was load removed from dryer at the end of the cycle?**
- **Was dryer overloaded?**
Dry smaller loads that can tumble freely.
- **Did load overdry?**
Check the manufacturer's care label. Match dryer setting to load type. See "Cycles."

Odors

- **Have you recently been painting, staining or varnishing in the area where your dryer is located?**
If so, ventilate the area. When the odors or fumes are gone from the area, rewash and dry the clothing.
- **Is the dryer being used for the first time?**
The new electric heating element may have an odor. The odor will be gone after the first cycle.

Garment damage

- **Check the following:**
Were zippers, snaps, and hooks left open?
Were strings and sashes tied to prevent tangling?
Were care label instructions followed?
Were items damaged before drying?

TABLE DES MATIÈRES

CONTRATS D'ENTRETIEN	22
GARANTIE	23
GARANTIE DU PIÉDESTAL FACULTATIF.....	23
SÉCURITÉ DE LA SÈCHEUSE	24
INSTRUCTIONS D'INSTALLATION.....	25
Outillage et pièces	25
Piédestal facultatif	25
Emplacement d'installation	26
Spécifications électriques	27
Exigences concernant l'évacuation	28
Planification du système d'évacuation	28
Installation du conduit d'évacuation	30
Installation des pieds de nivellement	31
Mise à niveau de la sècheuse	31
Conduit d'évacuation	31
Inversion de l'ouverture de la porte	31
Achever l'installation.....	33
UTILISATION DE LA SÈCHEUSE.....	34
Mise en marche de la sècheuse.....	34
Arrêt de la sècheuse.....	35
Arrêt et remise en marche.....	35
Verrouillage des commandes.....	35
Chargement.....	35
Conseils pour le séchage et les programmes	36
Voyants lumineux	36
Programmes	37
Options	38
Modificateurs.....	38
Changement des programmes, options et modificateurs.....	39
Signal de fin de programme.....	39
Grille de séchage avec chaleur TUMBLE FREE™.....	39
ENTRETIEN DE LA SÈCHEUSE	40
Nettoyage de l'emplacement de la sècheuse.....	40
Nettoyage du filtre à charpie.....	40
Nettoyage de l'intérieur de la sècheuse.....	41
Retrait de la charpie accumulée.....	41
Précautions à prendre pour les vacances et avant un déménagement.....	41
Changement de l'ampoule d'éclairage du tambour	42
DÉPANNAGE.....	42
NUMÉROS DE SERVICE.....	COUVERTURE ARRIÈRE

CONTRATS D'ENTRETIEN

Contrats d'entretien

Votre achat a plus de valeur parce que vous pouvez compter sur Sears HomeCentral® pour le service. Avec plus de 2400 spécialistes formés et l'accès à plus d'un million de pièces et accessoires, nous avons les outils et les pièces ainsi que les connaissances et compétences pour remplir cette promesse que nous vous faisons : Nous assurons le service de nos produits.

Votre produit Kenmore® est conçu, fabriqué et vérifié pour qu'il puisse vous fournir de nombreuses années de service en toute confiance. Cependant, tout produit peut nécessiter des interventions de service de temps à autre. Le contrat d'entretien Sears vous offre un programme de service remarquable à un prix abordable.

Le contrat d'entretien Sears

- Constitue une manière d'acheter un service pour demain au prix d'aujourd'hui
- Élimine les factures pour les réparations imputables à l'usure normale
- Fournit un support téléphonique assuré par un technicien de chez Sears pour les produits nécessitant une réparation à domicile
- Même si vous n'avez pas besoin de réparations, comprend une inspection annuelle d'entretien préventif (sur votre demande) pour maintenir votre appareil en bon état de fonctionnement.

Certaines limitations s'appliquent. Pour plus de renseignements concernant les contrats d'entretien de Sears Canada, composer le 1-800-361-6665.

GARANTIE

Garantie complète de un an sur les pièces mécaniques et électriques

Pendant un an à compter de la date d'achat, lorsque cette sècheuse est installée et utilisée conformément aux instructions fournies dans ce Guide d'utilisation et d'entretien, Sears réparera cette sècheuse, sans frais, s'il existe des défauts de matériau ou de fabrication.

Le service doit être fourni par un département de service Sears au Canada ou un agent autorisé.

REMARQUE : L'évacuation de cette sècheuse à l'aide d'un conduit en plastique peut annuler cette garantie. Voir les "Instructions d'installation" pour des renseignements détaillés sur les exigences d'évacuation pour cette sècheuse.

Garantie limitée de deux ans sur le panneau de commande électronique SENSOR SMART™

Pendant deux ans à partir de la date d'achat, Sears remplacera tout panneau de commande électronique comportant des vices de matériaux ou de fabrication. Les frais de main-d'oeuvre seront à la charge de l'utilisateur après la première année.

Restrictions sur la garantie

Lorsque la sècheuse est utilisée à des fins autres que l'usage unifamilial normal, la garantie ci-dessus est valable seulement pendant 90 jours.

Les frais de voyage ou de transport pour les clients qui habitent dans des régions éloignées ne sont pas couverts par cette garantie.

Service sous garantie

On peut se prévaloir du service sous garantie en communiquant avec le centre de service Sears le plus proche au Canada. Cette garantie ne s'applique qu'aux appareils utilisés au Canada.

Cette garantie vous confère des droits juridiques spécifiques et vous pouvez également jouir d'autres droits qui peuvent varier d'une province à l'autre.

Les conditions de garantie peuvent varier au Canada.

Pour toute information sur la garantie Sears ou pour communiquer avec un centre de service Sears, veuillez consulter les numéros de service mentionnés au dos de ce manuel.

Sears Canada Inc.
Toronto, Ontario, Canada M5B 2B8

Enregistrement de produit

Dans l'espace suivant, inscrire, au complet, les numéros de modèle et de série et la date d'achat. Cette information est donnée sur l'étiquette indiquant les numéros de modèle et de série, située dans la partie supérieure du logement de la porte à l'intérieur de la sècheuse.

Pour un service plus rapide, veiller à avoir ces renseignements avant de demander de l'aide ou du service lorsqu'on communique avec Sears relativement à cet appareil électroménager.

Numéro de modèle **110.** _____

Numéro de série _____

Date d'achat _____

Conservez ces instructions et le reçu de vente pour référence ultérieure.

GARANTIE DU PIÉDESTAL FACULTATIF

Garantie complète de un an sur les pièces mécaniques

Pendant une année à partir de la date d'achat, le fournisseur réparera ou remplacera toute pièce mécanique qui devient défectueuse à cause d'un vice de matériau ou de main-d'oeuvre. Ce piédestal doit être installé avec cette sècheuse conformément aux instructions fournies dans le guide d'installation du piédestal.

Restriction sur la garantie

Si le piédestal est sujet à une utilisation autre qu'une utilisation familiale privée et/ou s'il est utilisé avec un produit autre que ceux mentionnés dans les instructions d'installation, cette garantie est nulle et sans effet.

Dans l'espace suivant, inscrire, au complet, les numéros de modèle et de série et la date d'achat. Cette information est donnée sur l'étiquette indiquant les numéros de modèle et de série.

Pour un service plus rapide, veiller à avoir ces renseignements avant de demander de l'aide ou du service lorsqu'on communique avec Sears relativement à cet appareil électroménager.

Numéro de modèle **110.** _____

Numéro de série _____

Date d'achat _____

Conservez ces instructions et le reçu de vente pour référence ultérieure.

SÉCURITÉ DE LA SÈCHEUSE

Votre sécurité et celle des autres est très importante.

Nous donnons de nombreux messages de sécurité importants dans ce manuel et sur votre appareil ménager. Assurez-vous de toujours lire tous les messages de sécurité et de vous y conformer.



Voici le symbole d'alerte de sécurité.

Ce symbole d'alerte de sécurité vous signale les dangers potentiels de décès et de blessures graves à vous et à d'autres.

Tous les messages de sécurité suivront le symbole d'alerte de sécurité et le mot "DANGER" ou "AVERTISSEMENT". Ces mots signifient :

! DANGER

Risque possible de décès ou de blessure grave si vous ne suivez pas immédiatement les instructions.

! AVERTISSEMENT

Risque possible de décès ou de blessure grave si vous ne suivez pas les instructions.

Tous les messages de sécurité vous diront quel est le danger potentiel et vous disent comment réduire le risque de blessure et ce qui peut se produire en cas de non-respect des instructions.

IMPORTANTES INSTRUCTIONS DE SÉCURITÉ

AVERTISSEMENT : Pour réduire le risque d'incendie, de choc électrique ou de blessure lors de l'utilisation de la sècheuse, il convient d'observer certaines précautions élémentaires dont les suivantes :

- Lire toutes les instructions avant d'utiliser la sècheuse.
- Ne pas placer des articles exposés aux huiles de cuisson dans votre sècheuse. Les articles contaminés par des huiles de cuisson peuvent contribuer à une réaction chimique qui pourrait causer à la charge de s'enflammer.
- Ne pas faire sécher dans la machine des articles qui ont déjà été nettoyés, lavés, imbibés, ou tachés d'essence, de solvants pour nettoyage à sec, d'autres substances inflammables, ou de substances explosives puisqu'elles dégagent des vapeurs qui peuvent provoquer un incendie ou une explosion.
- Ne pas permettre à des enfants de jouer sur ou à l'intérieur de la sècheuse. Une surveillance étroite est nécessaire lorsque la sècheuse est utilisée près d'eux.
- Avant d'enlever la sècheuse du service ou la jeter, enlever la porte du compartiment de séchage.
- Ne pas mettre la main dans la sècheuse si le tambour est en mouvement.
- Ne pas installer ni entreposer la sècheuse où elle sera exposée aux intempéries.
- Ne pas jouer avec les commandes.
- Ne pas réparer ni remplacer une pièce de la sècheuse ou essayer d'en faire l'entretien à moins d'une recommandation spécifique dans le guide d'utilisation et d'entretien, ou publiée dans les instructions de réparation par l'utilisateur que vous comprenez et pouvez exécuter avec compétence.
- Ne pas utiliser un produit assouplissant de tissu ou des produits pour éliminer la statique à moins qu'ils ne soient recommandés par le fabricant du produit assouplissant de tissu ou du produit.
- Ne pas utiliser la chaleur pour faire sécher des articles fabriqués avec du caoutchouc mousse ou des matériaux semblables.
- Nettoyer le filtre à charpie avant et après chaque charge.
- Ne pas laisser la charpie, la poussière, ou la saleté s'accumuler autour du système d'évacuation ou autour de l'appareil.
- Un nettoyage périodique de l'intérieur de la sècheuse et du conduit d'évacuation doit être effectué par une personne qualifiée.
- Voir les instructions d'installation pour les exigences de liaison de l'appareil à la terre.

CONSERVEZ CES INSTRUCTIONS

INSTRUCTIONS D'INSTALLATION

Outillage et pièces

Rassembler les outils et pièces nécessaires avant de commencer l'installation. Lire et suivre les instructions de sécurité fournies avec les outils indiqués ici.

- Tournevis à lame plate
- Clé à molette avec ouverture jusqu'à 1" (2,54 cm) ou clé à douille hexagonale (pour ajuster les pieds de la sècheuse)
- Niveau
- Tournevis Phillips n° 2
- Clapets d'évacuation
- Pistolet à calfeutrage et composé de calfeutrage (pour l'installation d'un nouveau circuit d'évacuation)
- Cisaille de ferblantier (pour l'installation d'un nouveau conduit)
- Tourne-écrou ou clé à douille de 1/4"

Pièces fournies

Retirer le sachet de pièces du tambour de la sècheuse. Vérifier que toutes les pièces de la liste sont présentes.



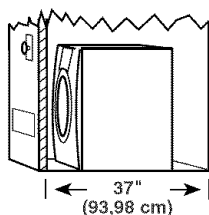
4 pieds de nivellement

REMARQUE : Ne pas utiliser les pieds de nivellement si la sècheuse est installée sur un piédestal.

Pièces nécessaires

Consulter les codes locaux, vérifier l'alimentation électrique et le circuit d'évacuation existants, et consulter les sections "Spécifications électriques" et "Exigences concernant l'évacuation" avant d'acheter les pièces nécessaires.

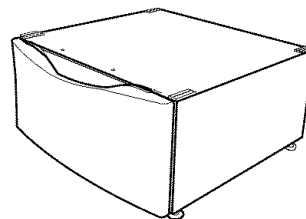
- Pour les installations à dégagement étroit entre 31,5" (80,01 cm) et 37" (93,98 cm), voir la section "Planification du système d'évacuation" pour les besoins d'évacuation.



L'installation dans une maison mobile exige un système d'évacuation en métal qui peut être acheté du magasin Sears local ou d'un centre de service Sears. Pour obtenir plus de renseignements, veuillez composer le **1-800-4-MY-HOME® (1-800-469-4663)**.

Piédestal facultatif

Installez-vous la sècheuse sur un piédestal? Vous pouvez acheter des piédestaux de différentes hauteurs séparément pour cette sècheuse. Vous pouvez choisir un piédestal de 13" (33 cm) ou de 15,5" (39,4 cm). Ces piédestaux augmenteront la hauteur totale de l'appareil pour une hauteur totale d'environ 51" (129,5 cm) ou 53" (135 cm).



Piédestal facultatif

Hauteur du piédestal	Couleur	Pièce n°
13" (33 cm)	Blanc	43002
13" (33 cm)	Biscuit	43004
13" (33 cm)	Graphite	43006
15,5" (39,4 cm)	Blanc	55842
15,5" (39,4 cm)	Biscuit	55844
15,5" (39,4 cm)	Graphite	55846
15,5" (39,4 cm)	Bleu pacifique	55847
15,5" (39,4 cm)	Champagne	55848
15,5" (39,4 cm)	Sedona	55849

Le piédestal (avec tiroir de remisage) est disponible en plusieurs couleurs.

Pour commander, téléphoner à votre magasin Sears local. Pour obtenir plus de renseignements, veuillez composer le **1-800-4-MY HOME® (1-800-469-4663)**.

Emplacement d'installation

⚠ AVERTISSEMENT



Risque d'explosion

Garder les matières et les vapeurs inflammables, telle que l'essence, loin de la sècheuse.

Placer la sècheuse au moins 46 cm (18 po) au-dessus du plancher pour une installation dans un garage.

Le non-respect de ces instructions peut causer un décès, une explosion ou un incendie.

On a besoin

- D'un emplacement permettant une installation d'évacuation correcte. Voir "Exigences concernant l'évacuation".
- D'un circuit séparé de 30 ampères.
- D'une prise électrique avec liaison à la terre située à moins de 2 pi (61 cm) de l'un des côtés de la sècheuse. Voir "Spécifications électriques".
- D'un plancher robuste capable de supporter le poids total de 200 lb (90,7 kg) de la sècheuse. Le poids combiné d'un appareil assorti doit aussi être considéré.
- D'un plancher horizontal avec une pente maximale de 1" (2,5 cm) sous l'ensemble de la sècheuse. (Si la pente est supérieure à 1" [2,5 cm], installer l'ensemble de pieds longs n° de pièce 279810.) Si la sècheuse n'est pas d'aplomb, le linge peut ne pas culbuter convenablement et les programmes commandés par des détecteurs automatiques peuvent ne pas fonctionner correctement.
- Pour l'installation dans un garage, vous aurez besoin de placer la sècheuse à au moins 18" (46 cm) au-dessus du plancher. Si un piédestal est utilisé, vous aurez besoin d'un espace additionnel de 6" (15,24 cm).

Ne pas faire fonctionner la sècheuse là où la température est inférieure à 45°F (7°C). À des températures inférieures, la sècheuse risque de ne plus s'arrêter à la fin d'un programme automatique. Les temps de séchage risquent alors d'augmenter.

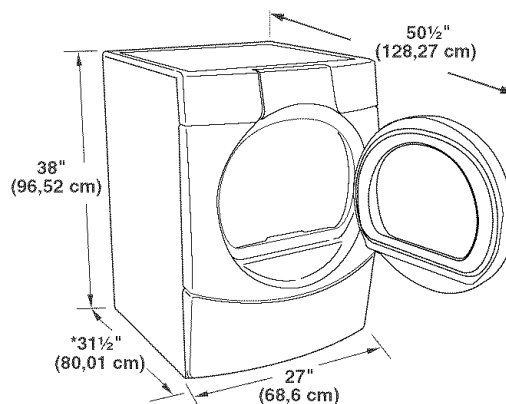
La sècheuse ne doit pas être installée ou remise dans un endroit où elle sera exposée à l'eau et/ou aux intempéries.

Vérifier les règlements locaux. Certains codes limitent ou n'autorisent pas l'installation des sècheuses dans un garage, un placard, une maison mobile ou une chambre à coucher. Communiquer avec l'inspecteur des bâtiments local.

Espacements d'installation

L'emplacement doit être assez grand pour permettre d'ouvrir complètement la porte de la sècheuse.

Dimensions de la sècheuse



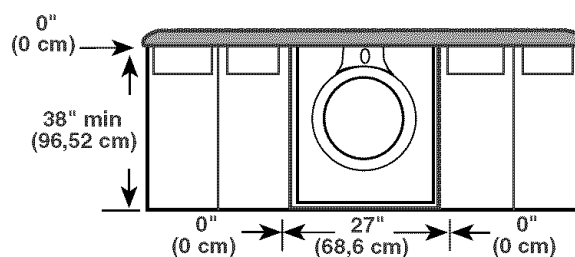
*La plupart des installations requièrent un espace minimum de 5 1/2" (14 cm) derrière la sècheuse pour le conduit d'évacuation avec coude. Voir "Exigences concernant l'évacuation".

Espace minimum d'installation pour les endroits encastrés, les dessous de comptoir ou l'installation dans un placard

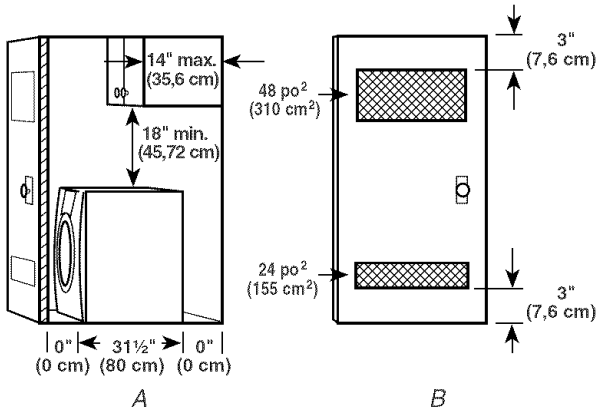
Les dimensions suivantes indiquées sont pour l'espace minimal accordé.

- On prévoira un peu plus d'espace pour faciliter l'installation et l'entretien.
- Un espace supplémentaire peut être requis pour les moulures de porte et de plancher et pour les plinthes.
- Un espace supplémentaire de 1" (2,5 cm) sur les côtés de la sècheuse est recommandé pour réduire le transfert du bruit.
- Pour l'installation dans un placard, avec porte, on doit prévoir des orifices d'entrée d'air en haut et en bas de la porte. Les portes à claire-voie offrant une surface équivalente de passage de l'air sont acceptables.
- Il faut aussi prendre en compte l'espace requis entre les appareils voisins.

Installation personnalisée sous un comptoir - sècheuse seulement

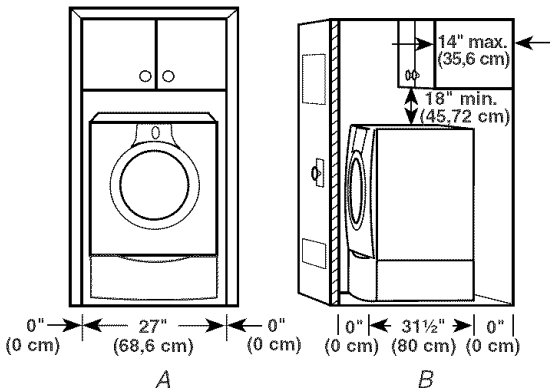


Installation dans un placard - sècheuse seulement



A. Vue latérale - placard ou endroit exigu
B. Porte du placard avec orifices d'entrée d'air

Installation encastrée ou dans un placard - sècheuse sur piedestal



A. Encastrement
B. Vue latérale - placard ou endroit exigu

Exigences concernant l'installation dans une maison mobile

Cette sècheuse peut être installée dans une maison mobile. L'installation de l'appareil doit satisfaire la Norme canadienne CAN/CSA - Z240 MH pour les habitations préfabriquées.

L'installation dans une maison mobile exige :

- Un système d'évacuation en métal qui peut être acheté dans le magasin Sears local ou dans un centre de service Sears.
- Il faut prendre des dispositions spéciales pour l'apport d'air de l'extérieur dans la sècheuse lors d'une installation dans une maison mobile. La surface de toute ouverture pour l'apport d'air extérieur (telle qu'une fenêtre à proximité) devrait être au moins deux fois plus grande que l'ouverture de décharge de la sècheuse.

Spécifications électriques

! AVERTISSEMENT



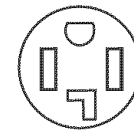
Risque de choc électrique

Brancher sur une prise à 4 alvéoles reliée à la terre.

Le non-respect de cette instruction peut causer un décès ou un choc électrique.

C'est à l'utilisateur qu'incombe la responsabilité de

- Communiquer avec un électricien qualifié.
- S'assurer que les connexions électriques sont adéquates et conformes au Code canadien de l'électricité, C22.1 - dernière édition et à tous les codes locaux. Pour obtenir un exemplaire de la norme des codes ci-dessus, contacter : Association canadienne de normalisation, 178 Rexdale Blvd., Toronto, ON M9W 1R3 Canada.
- Alimenter l'appareil uniquement par un circuit monophasé de 115/230 volts CA, 60 Hz à 4 fils, sur un circuit séparé de 30 ampères, fusionné aux deux extrémités de la ligne. On recommande l'emploi d'un fusible temporisé ou disjoncteur. On recommande également que cet appareil soit alimenté par un circuit indépendant.
- Cette sècheuse est équipée d'un cordon électrique homologué par la CSA International à introduire dans une prise murale standard 14-30R. Le cordon mesure 5 pi (1,52 m). Veiller à ce que la prise murale se trouve à proximité de l'emplacement définitif de la sècheuse.



Prise murale à 4 fils 14-30R

- Ne pas utiliser de cordon de rallonge.

Si on utilise un cordon d'alimentation de rechange, il est recommandé d'utiliser le cordon d'alimentation de rechange numéro de pièce 3394208. Pour obtenir plus de renseignements, veuillez composer le **1-800-4-MY-HOME® (1-800-469-4663)**.

INSTRUCTIONS DE LIAISON À LA TERRE

- Pour une sècheuse reliée à la terre et connectée par un cordon :

Cette sècheuse doit être reliée à la terre. En cas de mauvais fonctionnement ou de panne, la liaison à la terre réduira le risque de choc électrique en offrant au courant électrique un acheminement d'évacuation de moindre résistance. Cette sècheuse est alimentée par un cordon électrique comportant un conducteur relié à la terre et une fiche de branchement munie d'une broche de liaison à la terre. La fiche doit être branchée sur une prise appropriée qui est bien installée et reliée à la terre conformément à tous les codes et règlements locaux.

AVERTISSEMENT : Le raccordement incorrect de cet appareil au conducteur de liaison à la terre peut susciter un risque de choc électrique. En cas de doute quant à la qualité de liaison à la terre de la sècheuse, consulter un électricien ou un technicien ou un personnel qualifié. Ne pas modifier la fiche de branchement fournie avec la sècheuse; si la fiche ne correspond pas à la configuration de la prise de courant, demander à un électricien qualifié d'installer une prise de courant appropriée.

CONSERVEZ CES INSTRUCTIONS

- Ne pas utiliser un clapet d'évacuation à fermeture magnétique.
- Ne pas installer le conduit flexible dans les cavités fermées des murs, plafonds ou planchers.
- Utiliser des brides de serrage pour sceller tous les joints. Le système d'évacuation ne doit pas être connecté ou fixé avec des vis ou autres dispositifs de serrage qui se prolongent à l'intérieur du conduit. Ne pas utiliser de ruban adhésif.

IMPORTANT : Respecter toutes les prescriptions des codes et règlements en vigueur.

Une mauvaise évacuation de l'air peut causer de l'humidité et une accumulation de charpie à l'intérieur de la maison qui peut causer :

- Dommages par l'humidité aux boiseries, meubles, peinture, papier-peint, tapis, etc.
- Problèmes de nettoyage dans la maison et problèmes de santé.

Utiliser un conduit métallique lourd. Ne pas utiliser un conduit de plastique ou en feuille métallique.

On recommande d'utiliser un conduit métallique rigide pour réduire les risques d'écrasement et de déformation.

Un conduit métallique souple doit être totalement déployé et soutenu lorsque la sècheuse est à sa position finale. Enlever tout excès de conduit souple en métal pour éviter tout affaissement et déformation susceptibles de réduire la capacité d'évacuation et d'entraîner un mauvais fonctionnement.

Terminer le conduit d'évacuation par un clapet de décharge qui empêchera les rongeurs et insectes d'entrer dans l'habitation.

Le clapet de décharge doit être situé à au moins 12" (30,5 cm) au-dessus du sol ou de tout autre objet susceptible de se trouver sur le trajet de l'air humide rejeté (par exemple, fleurs, roches ou arbustes, etc.).

Lors de l'utilisation d'un système de décharge existant, nettoyer et éliminer la charpie sur toute la longueur du système et veiller à ce que le clapet de décharge ne soit pas obstrué par une accumulation de charpie. Remplacer tout conduit de plastique ou de feuille métallique par un conduit métallique rigide ou souple.

Exigences concernant l'évacuation

⚠ AVERTISSEMENT



Risque d'incendie

Utiliser un conduit d'évacuation en métal lourd.

Ne pas utiliser un conduit d'évacuation en plastique.

Ne pas utiliser un conduit d'évacuation en feuille de métal.

Le non-respect de ces instructions peut causer un décès ou un incendie.

AVERTISSEMENT : Pour réduire le risque d'incendie, l'air de cette sècheuse DOIT ÊTRE ÉVACUÉ VERS L'EXTÉRIEUR.

Utiliser un conduit d'évacuation métallique robuste de 4" (10,2 cm) et des brides de fixation. Les produits d'évacuation DURASAFE™ sont recommandés et sont disponibles au magasin Sears ou centre de service Sears le plus proche.

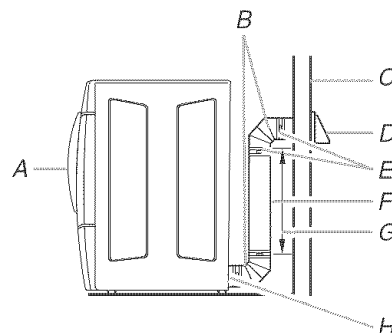
On peut se procurer les produits d'évacuation DURASAFE™ auprès du concessionnaire. Pour obtenir plus d'information, téléphoner au **1-800-4-MY-HOME® (1-800-469-4663)** ou visiter notre site Internet à l'adresse : **www.sears.ca**.

- Le système d'évacuation de la sècheuse ne doit pas être connecté à une évacuation de gaz, une cheminée, un mur, un plafond ou un vide dans le bâtiment.

Planification du système d'évacuation

Installations typiques d'évacuation

Les installations typiques consistent à acheminer le conduit d'évacuation à l'arrière de la sècheuse. D'autres installations sont possibles.



A. Sècheuse

B. Coude

C. Mur

D. Clapet de décharge

E. Brides

F. Conduit métallique rigide ou souple

G. Longueur de conduit nécessaire pour raccorder les coudes

H. Bouche de décharge

Installations facultatives d'évacuation

Cette sècheuse peut être convertie pour avoir un système d'évacuation par le côté droit, le côté gauche ou par le bas. Contactez votre marchand local pour faire convertir la sècheuse.

⚠ AVERTISSEMENT



Risque d'incendie

Recouvrir tous les orifices d'évacuation non utilisés avec l'une des trouses suivantes :

279818 (blanche)

279915 (graphite)

279925 (bisque)

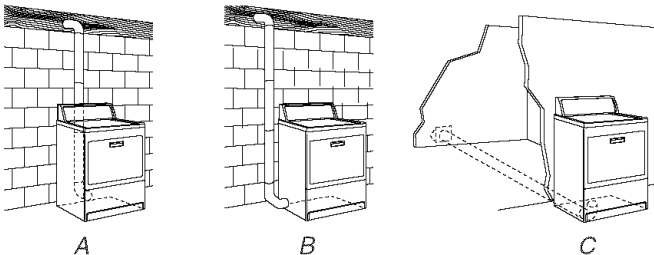
280102 (bleu pacifique)

280103 (champagne)

280104 (sedona)

Contactez votre marchand local.

Le non-respect de ces instructions peut causer un décès, un incendie, un choc électrique ou une blessure grave.



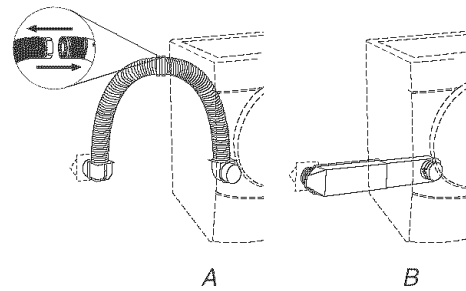
A. Acheminement standard du conduit d'évacuation par l'arrière

B. Acheminement du conduit d'évacuation par la gauche ou par la droite

C. Acheminement du conduit d'évacuation par le bas (Non compatible avec les installations sur piédestal.)

Autres installations où le dégagement est réduit

Il existe de nombreux types de systèmes d'évacuation. Choisir le type qui convient le mieux à l'installation. Deux installations à dégagement réduit sont illustrées. Voir les instructions du fabricant.



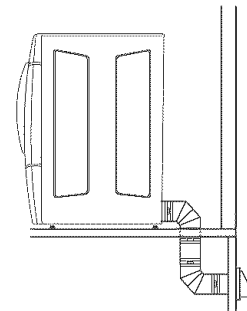
A. Installation au-dessus de la sècheuse (aussi disponible avec un coude décalé)
B. Installation de périscope

REMARQUE : On peut acheter les trouses suivantes pour les installations où le dégagement est réduit. Pour obtenir plus de renseignements, veuillez composer le **1-800-4-MY-HOME® (1-800-469-4663)**.

- Installation au-dessus de la sècheuse :
Pièce numéro 26-49900
- Installation de périscope (pour l'utilisation en cas de non-concordance de la bouche de décharge de la sècheuse avec le clapet) :
Pièce numéro 26-49901 - moins de 5" (12,7 cm) de décalage
Pièce numéro 26-49908 - 5" (12,7 cm) à 18" (45,72 cm) de décalage
Pièce numéro 26-49904 - 18" (45,72 cm) à 29" (73,66 cm) de décalage
Pièce numéro 26-49905 - 29" (73,66 cm) à 50" (127 cm) de décalage

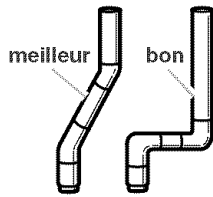
Dispositions spéciales pour les installations dans une maison mobile

Le système d'évacuation doit être solidement fixé à une section non combustible de la structure de la maison mobile et ne doit pas se terminer en dessous de la maison mobile. Faire en sorte que le système d'évacuation se termine à l'extérieur.



Détermination de la longueur du conduit

- Choisir l'itinéraire d'acheminement vers l'extérieur qui sera le plus direct et le plus rectiligne. Planifier l'installation pour introduire le nombre minimal de coudes et changements de direction. Si des coudes sont utilisés pour les changements de direction, prévoir autant d'espace que possible. Plier le conduit graduellement pour éviter de le déformer. Éviter les changements de direction à 90° si possible.

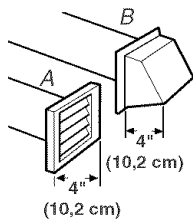


- Déterminer la longueur du conduit.

La longueur maximale du circuit de décharge dépend de plusieurs facteurs :

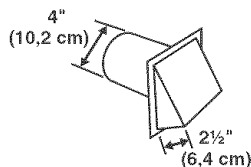
- Le type de conduit (métal rigide ou souple).
- Le nombre de coudes incorporés au circuit.
- Type de clapet.

Les styles de clapet recommandés sont illustrés ci-dessous.



A. Clapet à persiennes
B. Clapet de type boîte

Le clapet incliné (illustré ci-dessous) est acceptable.



Consulter le tableau correspondant au type de clapet de décharge utilisé pour déterminer la longueur maximale de conduit utilisable.

Si la longueur du circuit est supérieure à la valeur spécifiée dans le tableau, on observera :

- Une réduction de la longévité de la sècheuse.
- Une réduction du rendement, avec temps de séchage plus long et plus grande consommation d'énergie.

- Déterminer le nombre de coudes nécessaires.

IMPORTANT : Ne pas installer un conduit de longueur supérieure à la valeur spécifiée dans le tableau.

Le tableau suivant aide à déterminer la longueur maximale requise du conduit d'évacuation en fonction du nombre de changements de direction ou coudes à 90° et des types de conduit (métal rigide ou souple) et de clapet utilisés.

Tableau de longueur du conduit d'évacuation

Nombre de changements de direction à 90° ou coudes	Type de conduit	Clapets de type boîte ou à persiennes	Clapets inclinés
0	Métallique rigide	64 pi (20 m)	58 pi (17,7 m)
	Métallique souple	36 pi (11 m)	28 pi (8,5 m)
1	Métallique rigide	54 pi (16,5 m)	48 pi (14,6 m)
	Métallique souple	31 pi (9,4 m)	23 pi (7 m)
2	Métallique rigide	44 pi (13,4 m)	38 pi (11,6 m)
	Métallique souple	27 pi (8,2 m)	19 pi (5,8 m)
3	Métallique rigide	35 pi (10,7 m)	29 pi (8,8 m)
	Métallique souple	25 pi (7,6 m)	17 pi (5,2 m)
4	Métallique rigide	27 pi (8,2 m)	21 pi (6,4 m)
	Métallique souple	23 pi (7 m)	15 pi (4,6 m)

REMARQUE : Les installations d'évacuation du conduit par le côté ou par le bas comportent un changement de direction à 90° à l'intérieur de la sècheuse. Pour établir la longueur maximale du conduit, ajouter un changement de direction à 90° au tableau.

Installation du conduit d'évacuation

- Installer le clapet d'évacuation. Calfeutrer au pistolet l'ouverture murale à l'extérieur autour du clapet d'évacuation.
- Raccorder le conduit d'évacuation au clapet. Le conduit doit être inséré à l'intérieur du clapet. Fixer ensemble le conduit et le clapet avec une bride de 4" (10,2 cm).
- Acheminer le conduit d'évacuation jusqu'à l'emplacement de la sècheuse. Utiliser l'itinéraire le plus rectiligne possible. Voir "Détermination de la longueur du conduit". Éviter les changements de direction à 90°. Utiliser des brides pour sceller tous les joints. Ne pas utiliser de ruban adhésif pour conduit, des vis ou autres dispositifs de fixation qui se prolongent à l'intérieur du conduit pour fixer celui-ci.

Installation des pieds de nivellement

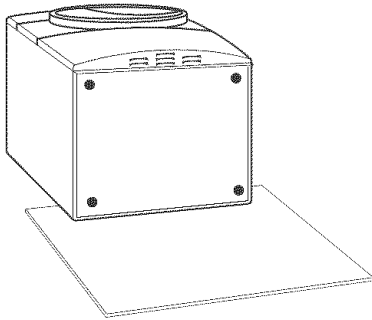
AVERTISSEMENT

Risque du poids excessif

Utiliser deux ou plus de personnes pour déplacer et installer la sécheuse.

Le non-respect de cette instruction peut causer une blessure au dos ou d'autre blessure.

1. Pour protéger le plancher, utiliser une grande pièce de carton de la boîte de la sécheuse. Placer la pièce de carton sous toute la longueur du bord arrière de la sécheuse. Voir l'illustration.
2. Saisir fermement la sécheuse par la caisse (et non par le tableau de console). Déposer délicatement la sécheuse sur le carton.



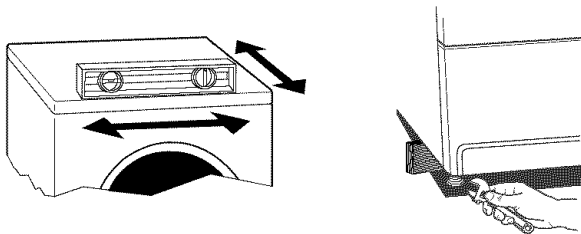
3. Examiner les pieds de nivellement. Trouver le symbole de repérage (losange).



4. Engager manuellement les vis des pieds dans les trous. Utiliser une clé à molette pour visser les pieds jusqu'à ce que le symbole de repérage (losange) ne soit plus visible.
5. Placer une cornière en carton sous chacun des deux coins arrière de la sécheuse. Placer la sécheuse debout. Glisser la sécheuse sur les cornières jusqu'à ce que l'appareil soit proche de son emplacement final. Laisser assez d'espace pour connecter le conduit d'évacuation.
6. Une fois la connexion faite et la sécheuse sur son emplacement final, enlever les cornières et le carton.

Mise à niveau de la sécheuse

Contrôler l'aplomb de la sécheuse. Contrôler l'aplomb tout d'abord transversalement, puis dans le sens avant/arrière.



Si la sécheuse n'est pas de niveau, la déposer sur un bloc de bois. Utiliser une clé à molette pour ajuster les pieds vers le haut ou vers le bas, et vérifier à nouveau si elle est de niveau.

REMARQUE : Il peut être nécessaire de remettre de niveau la sécheuse une fois qu'on l'installe à son emplacement définitif.

Conduit d'évacuation

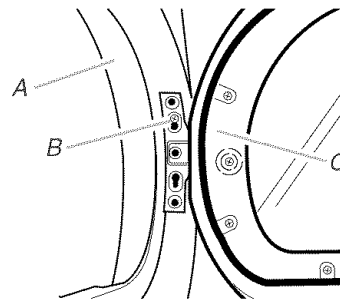
1. À l'aide d'une bride de fixation de 4" (10,2 cm), relier le conduit d'évacuation à la bouche d'évacuation de la sécheuse. Si on utilise un système d'évacuation existant, s'assurer qu'il est propre. Le conduit d'évacuation de la sécheuse doit être fixé sur la bouche d'évacuation de la sécheuse et dans le clapet d'évacuation. S'assurer que le conduit d'évacuation est fixé au clapet d'évacuation à l'aide d'une bride de fixation de 4" (10,2 cm).
2. Placer la sécheuse à l'emplacement final. Ne pas écraser ni déformer le conduit d'évacuation. Vérifier que la sécheuse est de niveau.
3. (Sur les modèles à gaz) Vérifier que le tuyau de gaz flexible n'est pas déformé ou écrasé.

Inversion de l'ouverture de la porte

On peut changer l'ouverture de la porte du côté droit au côté gauche si désiré.

Enlever la porte

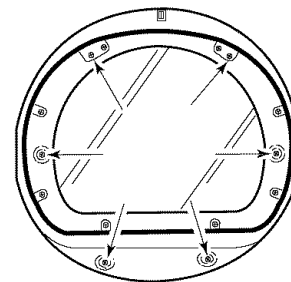
1. Placer une serviette ou un linge doux sur le dessus de la sécheuse ou l'espace de travail pour protéger la surface.
2. Ouvrir la porte de la sécheuse. Enlever les 4 vis qui retiennent la charnière de la porte sur le panneau avant de la sécheuse. Desserrer, mais ne pas enlever, la vis avec trou de serrure au-dessus s'ouvrant en dernier (la 2e en partant du sommet).



A. Sécheuse
B. Ne pas enlever
C. Porte de la sécheuse

3. Soulever et tirer tout droit sur la porte de sorte que les têtes de vis se dégagent du trou de serrure. Enlever la porte.
4. Placer la porte de la sécheuse sur une surface plane et protégée, côté interne de la porte vers le haut. Enlever la dernière vis de l'étape 2.

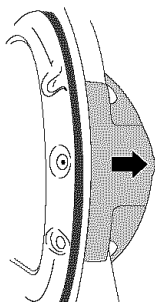
Enlever les 6 vis pour dégager la face externe de la porte de la face interne, tel qu'indiqué ci-dessous. Voir l'illustration. Il est important d'enlever seulement les 6 vis indiquées.



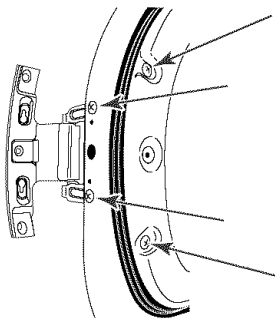
5. Soulever la face interne de la porte hors de la face externe. Mettre de côté la face externe de la porte.

Inverser la charnière et le couvre-charnière

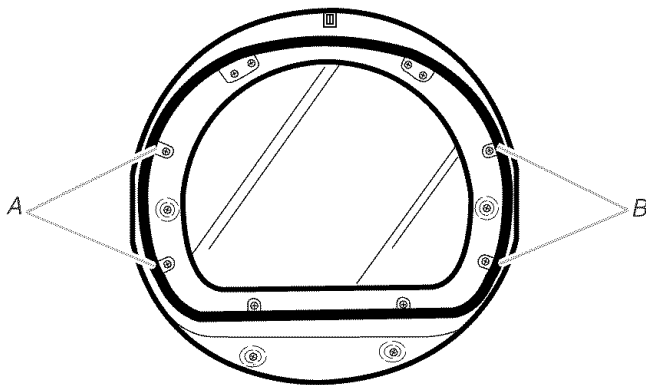
1. Placer la face interne de la porte, côté tête de vis vers le haut, sur l'espace de travail.
2. Retirer délicatement le couvercle en plastique vers le bas et vers l'extérieur. Cette action désenclenche le couvre-charnière en plastique de la face interne de la porte.



3. Enlever les 4 vis qui retiennent la charnière à la porte.



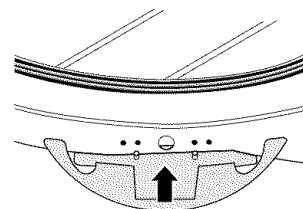
4. Inverser les 2 bouchons de trou de vis pour les placer du côté opposé et les insérer dans les trous originaux des vis.



A. Vis de la charnière
B. Bouchons de trous de vis

5. Placer la charnière de l'autre côté et la réinstaller à l'aide des 4 vis enlevées à l'étape 3.

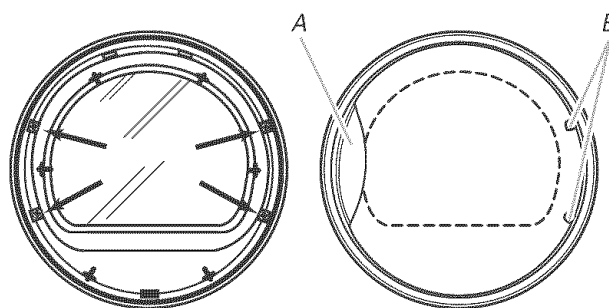
6. Inverser le couvercle de plastique. Le glisser par-dessus le bord de la face interne de la porte et enclencher délicatement en place.



7. Mettre de côté la face interne de la porte.

Inverser la poignée de la porte

1. Placer la face externe de la porte sur l'espace de travail.
2. Enlever les 2 vis qui retiennent la poignée de la porte et les 2 vis qui retiennent les bouchons des trous. Si les bouchons des trous ne tombent pas facilement après que les vis sont enlevées, insérer un petit tournevis dans les trous et retirer délicatement les bouchons.

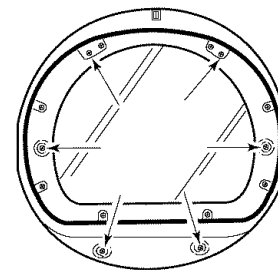


A. Poignée de la porte
B. Bouchons des trous

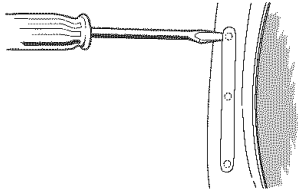
3. Déplacer la poignée de la porte de l'autre côté et la réinstaller à l'aide des 2 vis enlevées à l'étape 2.
4. Déplacer les bouchons des trous du nouveau côté de la charnière et les fixer avec les 2 vis enlevées à l'étape 2.

Réinstallation de la porte

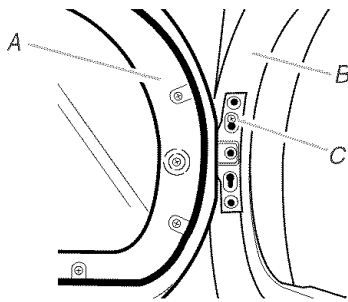
1. Vérifier s'il y a des marques de doigt sur le verre. Nettoyer au besoin.
2. Placer la face interne de la porte dans la face externe. Aligner le couvre-charnière et la charnière dans les ouvertures de chaque côté. Pour une installation correcte, le bord de la face interne de la porte doit être complètement à l'intérieur du bord de la face externe.
3. Assembler de nouveau les faces interne et externe de la porte avec les 6 vis.



- Utiliser un petit tournevis à lame plate pour enlever la tringle des pitons d'obturation des trous dans l'ouverture de la porte. Glisser la lame du tournevis sous le haut de la tringle, en prenant soin de ne pas égratigner la surface de la sècheuse. Soulever. Répéter l'opération pour le milieu et le bas. Enlever la tringle des pitons d'obturation des trous dans l'ouverture de la porte et l'insérer du côté opposé.



- Insérer une vis dans la 2^e ouverture du sommet de l'ouverture de la charnière et serrer partiellement. Suspendre la porte en plaçant la serrure supérieure de la charnière sur la 2^e tête de vis et serrer la vis. En plaçant cette vis en premier, la porte sera suspendue en place pendant que vous insérez et serrez les 4 autres vis qui restent.



A. Porte de la sècheuse
B. Sècheuse
C. Insérer cette vis en premier

- Fermer la porte et vérifier si elle s'enclenche bien.

Achever l'installation

- Vérifier que toutes les pièces sont installées. S'il reste une pièce, passer en revue les différentes étapes pour découvrir laquelle aurait été oubliée.
- S'assurer d'avoir récupéré tout l'outillage.
- Jeter ou recycler tout le matériel d'emballage.
- Vérifier l'emplacement définitif de la sècheuse. S'assurer que le conduit d'évacuation n'est pas écrasé ou déformé.
- Vérifier que la sècheuse est de niveau. Voir "Mise à niveau de la sècheuse".
- Brancher la sècheuse sur une prise reliée à la terre. Mettre le courant.
- Retirer la pellicule de protection bleue sur le panneau de commande et le ruban resté sur la sècheuse.
- Lire "Utilisation de la sècheuse".
- Essuyer soigneusement le tambour de la sècheuse avec un chiffon humide pour éliminer toute trace de poussière.
- Régler la sècheuse sur un programme de séchage complet (pas le programme de séchage à l'air) de 20 minutes et mettre la sècheuse en marche.

Si la sècheuse ne démarre pas, vérifier ce qui suit :

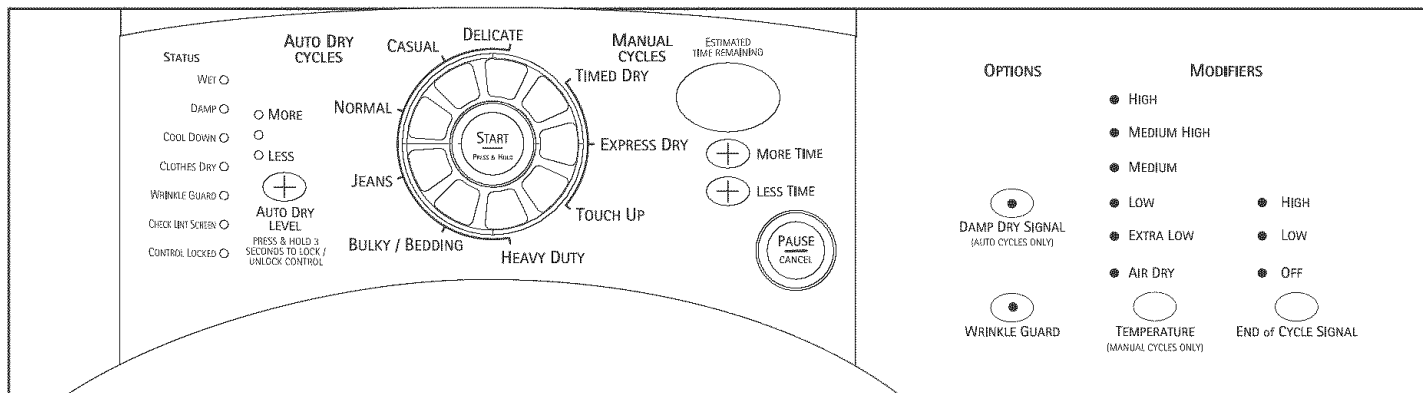
- Les commandes sont réglées à la position de marche ou "On".
 - Le bouton Start (mise en marche) a été enfoncé fermement.
 - La sècheuse est branchée sur une prise reliée à la terre.
 - L'alimentation électrique est connectée.
 - Les fusibles sont intacts et serrés, ou le disjoncteur n'est pas déclenché.
 - La porte de la sècheuse est fermée.
- Après 5 minutes de fonctionnement, ouvrir la porte de la sècheuse et voir s'il y a de la chaleur.

Si la sècheuse n'est pas chaude à l'intérieur, désactiver la sècheuse et vérifier ce qui suit :

- Il peut y avoir 2 fusibles ou disjoncteurs pour la sècheuse. Vérifier que les fusibles sont intacts et serrés ou que les deux disjoncteurs ne se sont pas déclenchés. S'il n'y a toujours pas de chaleur, contacter un technicien qualifié.

REMARQUE : Il est possible que la sècheuse dégage une odeur de brûlé lors du chauffage initial. Cette odeur est normale lorsque l'élément chauffant est utilisé pour la première fois. L'odeur disparaîtra.

UTILISATION DE LA SÈCHEUSE



Mise en marche de la sècheuse

AVERTISSEMENT




Risque d'explosion

Garder les matières et les vapeurs inflammables, telle que l'essence, loin de la sècheuse.

Ne pas faire sécher un article qui a déjà été touché par un produit inflammable (même après un lavage).

Le non-respect de ces instructions peut causer un décès, une explosion ou un incendie.

AVERTISSEMENT



Risque d'incendie

Aucune laveuse ne peut complètement enlever l'huile.

Ne pas faire sécher des articles qui ont été salis par tout genre d'huile (y compris les huiles de cuisson).

Les articles contenant mousse, caoutchouc ou plastique doivent être séchés sur une corde à linge ou par le programme de séchage à l'air.

Le non-respect de ces instructions peut causer un décès ou un incendie.

AVERTISSEMENT : Pour réduire le risque d'incendie, de choc électrique ou de blessures corporelles, lire les IMPORTANTES INSTRUCTIONS DE SÉCURITÉ avant de faire fonctionner cet appareil.

Suivre ces étapes de base pour mettre la laveuse en marche. Prière de consulter les sections spécifiques de ce guide pour obtenir des renseignements plus détaillés.

1. Nettoyer le filtre à charpie avant ou après chaque programme. Voir "Nettoyage du filtre à charpie".
2. Charger les vêtements dans la sècheuse et fermer la porte. Voir "Chargement".
3. Appuyer sur la touche du programme choisi. Les réglages pré-établis pour les programmes de séchage automatique ou les programmes manuels s'illuminent. La durée estimative ou réelle du programme (en minutes) apparaîtra sur l'affichage.

Utilisation d'un programme de séchage automatique

- Sélectionner un programme de séchage automatique.
- Sélectionner AUTO DRY LEVEL (niveau de séchage automatique) pour régler le degré de séchage désiré. Au cours du programme, la commande détecte le degré de séchage de la charge et règle la durée automatiquement selon le degré de séchage sélectionné.

- Sélectionner les options désirées.

Pour effectuer des changements durant un programme de séchage automatique :

- Appuyer sur PAUSE/CANCEL (pause/annulation).
- Ajuster le niveau de séchage automatique et/ou les options.

REMARQUE : Les sélections de niveau de séchage automatique ne peuvent être faites que durant l'utilisation des programmes de séchage automatique. On peut sélectionner un niveau de séchage différent, en fonction de la charge, en appuyant sur Auto Dry Level (niveau de séchage automatique) et en choisissant More (plus) ou Less (moins). La sélection de More (plus) ou Less (moins) ajuste automatiquement la durée détectée nécessaire.



Utilisation d'un programme manuel

- Sélectionner un programme manuel.
- Appuyer sur MORE TIME (plus de temps) ou LESS TIME (moins de temps) jusqu'à ce que la durée de séchage désirée s'affiche. Appuyer légèrement sur MORE TIME ou LESS TIME et la durée changera par tranches de 1 minute. Appuyer sans relâcher sur MORE TIME ou LESS TIME et la durée changera par tranches de 5 minutes.

REMARQUE : Les caractéristiques More Time (plus de temps) et Less Time (moins de temps) peuvent être utilisées seulement avec les programmes manuels.



- Appuyer sur TEMPERATURE jusqu'à ce que la température désirée s'allume.

REMARQUE : Durant un programme manuel, on peut changer les réglages de durée, de température, de WRINKLE GUARD® (Protection contre le froissement) et du signal de fin de programme. Appuyer deux fois sur PAUSE/CANCEL (pause/annulation) pour arrêter la sécheuse et annuler les réglages. Sélectionner un autre programme ou une autre option.

4. (ÉTAPE FACULTATIVE) Si désiré, choisir OPTIONS. Pour plus de détails, voir "Options".
5. (ÉTAPE FACULTATIVE) Si désiré, régler le END OF CYCLE SIGNAL (signal de fin de programme). Sélectionner HIGH (fort) ou LOW (faible) pour être prévenu de la fin d'un programme par un signal.
6. Appuyer sans relâcher sur START (mise en marche) pendant environ 3 secondes jusqu'à ce que la sécheuse se mette en marche. Vérifier que la porte est fermée.
 - Si on n'appuie pas sur Start dans les 5 minutes après avoir choisi le programme, la sécheuse s'arrête automatiquement.
 - Si on désire mettre fin au programme de séchage après avoir appuyé sur Start, appuyer sur PAUSE/CANCEL deux fois.

Arrêt de la sécheuse

Pour arrêter la sécheuse à n'importe quel moment

Appuyer sur PAUSE/CANCEL deux fois ou ouvrir la porte.

Arrêt et remise en marche

Pour mettre la sécheuse en pause à n'importe quel moment

Ouvrir la porte ou appuyer sur PAUSE/CANCEL une fois.

Pour remettre la sécheuse en marche

Fermer la porte. Appuyer sans relâcher sur START jusqu'à ce que la sécheuse se mette en marche.

REMARQUE : Le séchage reprendra où le programme a été interrompu si on referme la porte et appuie sur START dans les 5 minutes qui suivent. Si le programme est interrompu pendant plus de 5 minutes, la sécheuse s'arrête. Sélectionner les nouveaux réglages de programme avant de remettre la sécheuse en marche.

Verrouillage des commandes

Cette caractéristique permet de verrouiller les réglages et d'empêcher l'utilisation non intentionnelle de la sécheuse. On peut aussi utiliser la caractéristique de verrouillage des commandes pour empêcher des changements non intentionnels de programme ou d'option durant le fonctionnement de la sécheuse.

Activation de la caractéristique de verrouillage des commandes :

Appuyer sans relâcher sur AUTO DRY LEVEL (niveau de séchage automatique) pendant 3 secondes. Control Locked (verrouillage des commandes) s'allume et un signal sonore unique se fait entendre. Pour déverrouiller, appuyer sans relâcher sur AUTO DRY LEVEL pendant 3 secondes. Le témoin lumineux s'éteint.

Chargement

Un chargement adéquat de la sécheuse peut contribuer à réduire la note d'électricité et de gaz et à prolonger la vie des vêtements.

Suggestions de chargement

- Charger la sécheuse selon l'espace occupé par les articles plutôt que selon leur poids.
- Ne pas trop charger la sécheuse. Un chargement excessif entraîne un séchage médiocre et des faux plis.

Sécheuses à super capacité

Vêtements de travail

lourds	2 pantalons de survêtement
4 jeans	2 chandails
4 pantalons de travail	
4 chemises de travail	

Serviettes

10 serviettes de bain	14 débarbouillettes
10 serviettes à main	

Charge mixte

3 draps (1 très grand, 2 simples)	9 tee-shirts
4 taies d'oreiller	9 shorts
3 chemises	10 mouchoirs
3 chemisiers	

Conseils pour le séchage et les programmes

Choisir le programme et le degré de séchage ou la température corrects pour la charge. Si un programme de séchage automatique est en cours, l'affichage indique la durée estimée du programme lorsque la sècheuse détecte automatiquement le degré de séchage de la charge. Si un programme manuel est en cours, l'affichage indique la durée exacte restante en minutes jusqu'à la fin du programme.

La période de refroidissement fait culbuter la charge sans chaleur au cours des quelques dernières minutes de tous les programmes. La période de refroidissement permet de manipuler les charges plus facilement et réduit le froissement. La durée de refroidissement varie en fonction de la charge et du degré de séchage.

Conseils de séchage

- Suivre les directives sur l'étiquette lorsqu'elles sont disponibles.
- Ajouter une feuille d'assouplissant de tissus, si désiré. Suivre les instructions sur l'emballage.
- Sortir la charge de la sècheuse aussitôt que le culbutage cesse pour réduire le froissement. Cette action est particulièrement importante pour les tissus à pressage permanent, les tricotés et les tissus synthétiques.
- Éviter de sécher des vêtements de travail épais avec des tissus plus légers. Il pourrait en résulter un surséchage des tissus plus légers et un rétrécissement ou froissement accru.

Conseils pour les programmes

- On recommande de sécher la plupart des charges en utilisant les réglages préétablis.
- Consulter le tableau des réglages des programmes de séchage automatique ou manuel pré-réglés (à la section "Programmes") pour un guide de séchage de charges diverses.
 - La température de séchage et la fonction Auto Dry Level sont sélectionnées lorsqu'on choisit un programme de séchage automatique. Vous pouvez choisir un niveau de séchage différent en fonction de votre charge en appuyant sur Auto Dry Level (niveau de séchage automatique), puis sur More (plus) ou Less (moins).
 - Si on désire ajuster la durée d'un programme manuel, il faut appuyer sur More Time (plus de temps) ou Less Time (moins de temps). Ajuster la température d'un programme manuel en appuyant sur Temperature jusqu'à ce que la température désirée soit sélectionnée.

REMARQUE : On ne peut pas choisir la fonction Auto Dry Level (niveau de séchage automatique) avec les programmes manuels.

Voyants lumineux

Suivez le progrès de votre sècheuse grâce aux voyants lumineux de l'état d'avancement du séchage de séchage.

- WET ●
- DAMP ●
- COOL DOWN ●
- CLOTHES DRY ●
- WRINKLE GUARD ●
- CHECK LINT SCREEN ●
- CONTROL LOCKED ●

Wet (Mouillé)

Le voyant Wet s'allume au début du programme automatique et du programme manuel si un article mouillé est détecté.

- Dans un programme automatique de séchage, si un article mouillé n'est pas détecté après 5 minutes, la sècheuse se met directement au mode de refroidissement et les indicateurs Cool Down (Refroidissement) et WRINKLE GUARD® (Protection contre le froissement) s'illuminent si sélectionnés.
- Dans un programme manuel, si un article mouillé n'est pas détecté, la sècheuse continuera à fonctionner pour la durée sélectionnée, mais le voyant Wet (Mouillé) ne s'illuminera pas.

Damp (Humide)

Le voyant Damp s'allume au cours d'un programme automatique de séchage lorsque le linge est à peu près sec à 80%. Le signal Damp Dry (Séchage Humide) se fait entendre si sélectionné. Voir "Options".

Cool Down (Refroidissement)

Le voyant Cool Down s'allume durant la partie refroidissement du programme. Le linge refroidit afin d'en faciliter la manipulation.

Clothes Dry (Vêtements secs)

Le voyant Clothes Dry s'allume lorsque le programme de séchage est terminé. Cet indicateur reste allumé durant WRINKLE GUARD® (Protection contre le froissement).

WRINKLE GUARD® (Protection contre le froissement)

Le voyant WRINKLE GUARD® s'allume lorsque cette option est choisie. L'indicateur demeure allumé avec la fonction Clothes Dry (Vêtements secs).

Check Lint Screen (Vérifier le filtre à charpie)

Le voyant Check Lint Screen vous rappelle de vérifier le filtre à charpie. Le voyant s'allume lorsque l'utilisateur choisit un programme. Il s'éteint lorsque la porte est ouverte, si l'on appuie sur Start (Mise en marche) ou après un délai de 5 minutes.

Control Locked (Verrouillage des commandes)

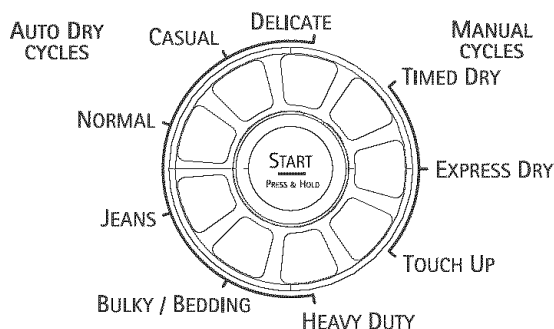
Le voyant Control Locked s'allume lorsque cette option est activée.

Voyants lumineux

D'autres voyants lumineux indiquent les fonctions choisies, Cycle (Programme), Options, Modifiers (Modificateurs) et End of Cycle (Fin de programme). L'affichage indique la durée restante réelle ou estimée.

Programmes

Choisir le programme de séchage qui correspond au type de charge que vous séchez. Voir les tableaux Réglages des programmes pré-établis de séchage automatique ou Réglages des programmes pré-établis de séchage manuel.



Programmes de séchage automatique

Les programmes de séchage automatique vous permettent d'assortir le programme à la charge que vous séchez. Voir le tableau ci-après Réglages du programme pré-établi de séchage automatique. Chaque programme sèche certains tissus à la température recommandée. Un capteur détecte le degré d'humidité dans le linge et ajuste automatiquement la durée de séchage pour un séchage optimal.

Heavy Duty (service intense)

Utiliser ce programme afin d'obtenir une température très élevée pour les tissus épais tels que les serviettes de coton ou les couvre-lits.

Bulky/Bedding (volumineux/literie)

Utiliser ce programme pour le séchage à chaleur moyenne des articles de grande taille qui nécessitent des temps de séchage très longs, tels que les vestes, les couettes et les oreillers. Réarranger la charge lorsque le signal de séchage humide a été émis. Ceci aidera les articles à mieux sécher. Le signal de séchage humide est pré-réglé à ON (marche). Voir "Options".

Jeans

Utiliser ce programme afin d'obtenir une température de moyenne à élevée pour sécher les jeans.

Normal

Utiliser ce programme afin d'obtenir une température moyenne pour sécher des tissus robustes tels que les vêtements de travail.

Casual (tout-aller)

Utiliser ce programme afin d'obtenir une température basse pour sécher des tissus qui ne nécessitent aucun repassage, tels les chemises sports, les vêtements de travail et les tissus de pressage permanent.

Delicate (délicat)

Utiliser ce programme afin d'obtenir une température extrêmement basse pour sécher en douceur les articles tels que la lingerie, les chemisiers, ou les tricotés lavables.

Réglages des programmes pré-établis de séchage automatique

Programmes de séchage automatique Type de charge	Température	Durée* (en minutes)
HEAVY DUTY (service intense) Tissus épais, serviettes	Élevée	44
BULKY/BEDDING (volumineux/literie) Vestes, couettes, oreillers	Moyenne	64
JEANS Pantalons, vestes	Moyenne à élevée	54
NORMAL Velours côtelé, vêtements de travail	Moyenne	41
CASUAL (tout-aller) Pressage permanent, synthétiques	Basse	36
DELICATE (délicat) Lingerie, chemisiers, tricotés lavables	Extrêmement basse	22

*Estimation de la durée avec le programme Auto Dry Level (Niveau de séchage automatique) (Normal). La durée varie en fonction du type de charge et de la quantité de linge.

Programmes manuels

Utiliser les programmes manuels afin de choisir une durée déterminée et un certain degré de température de séchage. Lorsqu'un programme manuel est choisi, l'affichage Estimated Time Remaining (estimation du temps restant) indique la durée réelle restante au cours de ce programme. Vous pouvez modifier la durée réelle dans le programme en appuyant sur More Time (plus de temps) ou Less Time (moins de temps). Voir "Changement des programmes, options et modificateurs".

Timed Dry (séchage minuté)

Utiliser ce programme pour compléter le séchage si les articles sont encore humides après un programme de séchage automatique. Le séchage minuté est également utile pour le séchage d'articles très résistants et volumineux, tels que les couvre-lits et les vêtements de travail. Les vêtements légers tels que les vêtements de gymnastique peuvent être séchés en utilisant le séchage minuté au réglage de température basse.

EXPRESS DRY™ (séchage rapide)

Utiliser ce programme afin de sécher de petites charges ou des charges ne nécessitant qu'un court temps de séchage.

Touch Up (retouche)

Utiliser ce programme afin d'enlever les faux plis d'articles tels que des vêtements remisés dans une valise ou des articles froissés après avoir séjourné trop longtemps dans la sècheuse.

Réglages des programmes pré-établis de séchage manuel

Programmes manuels Type de charge	Température	Durée pré-établie (en minutes)
TIMED DRY (séchage minuté) Articles volumineux, grosse charge, couvre-lits, vêtements de travail	Élevée	40
EXPRESS DRY™ (séchage rapide) Petites charges	Élevée	27
TOUCH UP (retouche) Défroissage	Moyenne à élevée	20

Options

Vous pouvez personnaliser vos programmes en choisissant des options.



Damp Dry Signal (signal de séchage humide)

Si on sélectionne Damp Dry Signal, on est prévenu lorsque les vêtements sont à peu près secs à 80 %. Ceci est utile si l'on désire sortir les articles à séchage rapide d'une charge mixte afin d'éviter le séchage excessif ou bien pour enlever des vêtements partiellement secs qui pourraient avoir besoin d'être repassés.

Le signal de séchage humide s'utilise pour sécher des draps, de la literie en charge mixte ou des articles de grande taille avec un programme Bulky/Bedding (volumineux/literie). Lorsque le signal s'éteint, ouvrir la porte pour arrêter la sécheuse et réarranger la charge à l'intérieur. Fermer la porte et remettre la sécheuse en marche pour achever le programme de séchage. Réarranger la charge aidera les vêtements à mieux sécher.

Dans le cas du programme Bulky/Bedding, le signal de séchage humide est pré-réglé à ON (marche).

REMARQUE : Le signal de séchage humide est une option uniquement disponible avec les programmes de séchage automatique.

WRINKLE GUARD® (protection contre le froissement)

WRINKLE GUARD® empêche la formation de faux plis lorsque la sécheuse n'est pas vidée rapidement à la fin du programme. Au cours de ce programme, la sécheuse arrête le culbutage puis se remet en marche brièvement.

- Appuyer sur WRINKLE GUARD® afin d'obtenir jusqu'à 2 h ½ de culbutage à froid et intermittent à la fin d'un programme.

- Arrêter WRINKLE GUARD® à tout moment en appuyant sur la touche WRINKLE GUARD® ou en ouvrant la porte de la sécheuse.
- Pour le programme Casual (tout-aller) de séchage automatique, la fonction WRINKLE GUARD® est pré-réglée à ON. Les autres programmes de séchage automatique garderont le réglage de WRINKLE GUARD®. Par exemple, si vous sélectionnez WRINKLE GUARD® dans le programme Normal, la fonction WRINKLE GUARD® sera maintenue la prochaine fois que vous choisirez le programme Normal.

REMARQUE : Si vous ne choisissez pas WRINKLE GUARD®, la sécheuse s'arrête après la période de refroidissement.

Modificateurs

Utiliser les modificateurs afin de sélectionner des températures pour les programmes manuels. Appuyer sur la touche Temperature jusqu'à ce que la température désirée s'illumine. Les modificateurs de température ne peuvent pas être utilisés avec les programmes de séchage automatiques.

- HIGH
 - MEDIUM HIGH
 - MEDIUM
 - LOW
 - EXTRA LOW
 - AIR DRY
-
- TEMPERATURE
(MANUAL CYCLES ONLY)

Air Dry (séchage à l'air)

Utiliser le modificateur de séchage à l'air pour les articles nécessitant un séchage sans chaleur, par exemple les articles en caoutchouc, en plastique ou les tissus sensibles à la chaleur. Ce tableau montre des exemples d'articles qui peuvent être séchés en utilisant le séchage à l'air.

Type de charge	Durée* (en minutes)
Caoutchouc mousse – oreillers, soutiens-gorge rembourrés, jouets en peluche	20 - 30
Plastique – Rideaux de douche, nappes	20 - 30
Tapis à endos de caoutchouc	40 - 50
Oléfine, polypropylène, nylon fin	10 - 20

*Au besoin, régler à nouveau le programme pour achever le séchage.

Lors de l'utilisation du séchage à l'air

- S'assurer que les recouvrements sont bien cousus.
- Secouer et faire bouffer régulièrement les oreillers à la main durant le programme.
- Sécher complètement les articles. Les coussins en caoutchouc mousse mettent longtemps à sécher.

REMARQUE : Le séchage à l'air n'est pas disponible avec les programmes de séchage automatique.

Changement des programmes, options et modificateurs

Il est possible de changer les programmes Séchage automatique et Manuel, les options et modificateurs en tout temps avant d'appuyer sur le bouton Start (Mise en marche).

- Trois brefs signaux sonores marquent le choix d'une combinaison non disponible. La dernière sélection ne sera pas acceptée.

Changement des programmes après avoir appuyé sur Start

1. Appuyer deux fois sur PAUSE/CANCEL (pause/annulation).
2. Choisir le programme de séchage et les options désirés.
3. Appuyer sans relâcher sur START. La sécheuse recommence au début d'un nouveau programme.

REMARQUE : Si on n'appuie pas sur Start dans les 5 minutes qui suivent le choix de programme, la sécheuse s'arrête automatiquement.

Changement des options et modificateurs après avoir appuyé sur Start

Il est possible de changer une option ou un modificateur en tout temps avant que l'option ou le modificateur choisi ne commence.

1. Appuyer sur PAUSE/CANCEL une fois.
2. Choisir la nouvelle option et/ou les nouveaux modificateurs.
3. Appuyer sans relâcher sur START pour continuer le programme.

REMARQUE : Si on appuie deux fois sur Pause/Cancel, le programme s'annulera, la sécheuse s'arrêtera et il faudra recommencer le processus de sélection.

Signal de fin de programme

Signal de fin de programme

La sécheuse émet un signal sonore qui indique la fin du programme. Sortir rapidement les vêtements à la fin du programme réduit le froissement.

- HIGH
- LOW
- OFF



END of CYCLE SIGNAL

Appuyer sur END of CYCLE SIGNAL (signal de fin de programme) pour régler la sonorité ou désactiver le signal.

REMARQUE : Lorsqu'on choisit le programme WRINKLE GUARD® et que le signal de fin de programme est activé, un signal sonore se fait entendre à intervalles de cinq minutes jusqu'à ce qu'on sorte les vêtements de la sécheuse, ou jusqu'à ce que le programme WRINKLE GUARD® soit terminé.

Grille de séchage avec chaleur TUMBLE FREE™

La grille de séchage est expédiée en place dans la sécheuse. La déballez et jeter l'emballage avant de l'utiliser.

Utiliser la grille de séchage avec chaleur TUMBLE FREE™ pour faire sécher sans culbutage des articles tels que les chandails. Lorsqu'on utilise la grille de séchage, l'air chauffé à l'intérieur de la sécheuse circule de façon concentrée pour permettre un séchage efficace et uniforme.

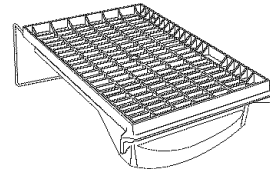
Utiliser Timed Dry (séchage minuté) pour choisir la durée de séchage.

REMARQUE : Ne pas utiliser de programme automatique avec la grille de séchage.

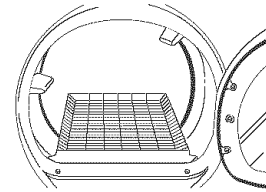
Utilisation de la grille de séchage avec chaleur :

Ne pas retirer le filtre à charpie.

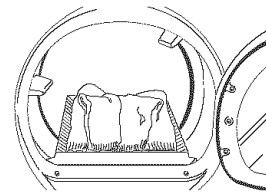
1. Ouvrir la porte de la sécheuse.



2. Glisser la grille de séchage par dessus le bas de l'ouverture de la porte de la sécheuse. Faire reposer la broche arrière sur le rebord arrière de la sécheuse. Appuyer sur le cadre à l'avant pour le fixer au-dessus du filtre à charpie.



3. Placer les articles mouillés sur la grille de séchage. Laisser suffisamment d'espace entre les articles pour permettre à l'air de circuler. Le tambour tourne, mais la grille ne bouge pas. Veiller à ce que les articles ne pendent pas par dessus le bord de la grille ou entre les barreaux de la grille.



4. Fermer la porte.
5. Choisir TIMED DRY (séchage minuté) et MORE TIME (plus de temps) ou LESS TIME (moins de temps). Modifier la durée si nécessaire pour compléter le séchage. Se reporter au tableau suivant.

6. Choisir le réglage de la température désirée en fonction des tissus de votre charge en appuyant sur TEMPERATURE. Faire sécher les articles contenant mousse, caoutchouc ou plastique sur une corde à linge ou en choisissant le réglage de la température Air Dry (séchage à l'air). Se reporter au tableau suivant.
7. Mettre la sècheuse en marche.

REMARQUE : Il faut retirer la grille pour un culbutage normal. Pour retirer la grille de séchage, la soulever droit vers le haut et hors de la sècheuse.

REMARQUE : Vérifier le filtre à charpie et retirer toute charpie accumulée pendant le séchage sur la grille de séchage.

Suggestions d'articles à sécher sur la grille de séchage	Réglage de la température	Durée suggérée* (en minutes)
Articles en laine lavables (former la taille et étaler à plat sur la grille)	Low (faible)	20
Jouets rembourrés (garnissage de coton ou de polyester)	Low (faible)	20
Jouets rembourrés (garnissage de caoutchouc mousse)	Air Dry (Séchage à l'air)	50
Couvre-chaussures (caoutchouc)	Air Dry (Séchage à l'air)	20
Oreillers en caoutchouc mousse	Air Dry (Séchage à l'air)	50
Chaussures de tennis	Air Dry (Séchage à l'air)	20

*Régler de nouveau la durée au besoin pour compléter le séchage.

ENTRETIEN DE LA SÈCHEUSE

Nettoyage de l'emplacement de la sècheuse

Éviter de laisser des éléments qui pourraient obstruer le débit de combustion et empêcher une bonne ventilation autour de la sècheuse.

AVERTISSEMENT



Risque d'explosion

Garder les matières et les vapeurs inflammables, telle que l'essence, loin de la sècheuse.

Placer la sècheuse au moins 46 cm (18 po) au-dessus du plancher pour une installation dans un garage.

Le non-respect de ces instructions peut causer un décès, une explosion ou un incendie.

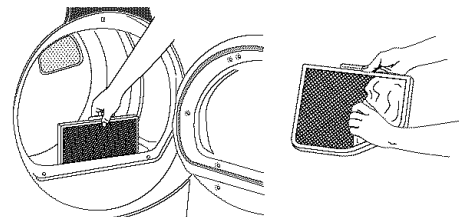
Nettoyage du filtre à charpie

Nettoyage à chaque charge

Le filtre à charpie se trouve dans la porte de la sècheuse. Le tableau de commande comporte un voyant lumineux pour vous rappeler de nettoyer le filtre à charpie avant ou après chaque charge. Un filtre obstrué de charpie peut augmenter le temps de séchage.

Nettoyage

1. Enlever le filtre à charpie en le tirant directement vers le haut. Enlever la charpie du filtre en la roulant avec les doigts. Ne pas rincer ni laver le filtre pour enlever la charpie. La charpie mouillée s'enlève difficilement.



2. Remettre le filtre à charpie fermement en place.

IMPORTANT :

- Ne pas faire fonctionner la sècheuse avec un filtre à charpie déplacé, endommagé, bloqué ou manquant. Une telle action peut causer un échauffement ou des dommages pour la sècheuse et les tissus.

- Certaines serviettes en fibres synthétiques et en fibres naturelles (mélange de polyester et de coton) peuvent produire plus de charpie que les autres serviettes, de telle sorte que le filtre à charpie de la sècheuse se remplit plus rapidement. Veiller à enlever la charpie du filtre avant et après le séchage des serviettes neuves.
- Si de la charpie tombe dans la sècheuse au moment du retrait du filtre, vérifier le conduit d'évacuation et retirer la charpie. Voir "Exigences concernant l'évacuation".

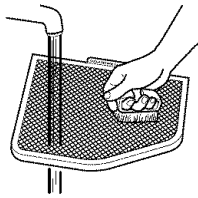
Nettoyage au besoin

Les détergents et les assouplissants de tissu peuvent causer une accumulation de résidus sur le filtre à charpie. Cette accumulation peut augmenter les temps de séchage ou entraîner un arrêt de la sècheuse avant que la charge ne soit sèche. Si de la charpie tombe du filtre, le filtre est probablement encrassé.

Nettoyer le filtre à charpie avec une brosse en nylon tous les 6 mois ou plus fréquemment s'il devient obstrué par suite d'une accumulation de résidus.

Lavage

1. Enlever la charpie du filtre en la roulant avec les doigts.
2. Mouiller les deux côtés du filtre à charpie avec de l'eau chaude.
3. Mouiller une brosse en nylon avec de l'eau chaude et du détergent liquide; frotter le filtre avec la brosse pour enlever l'accumulation de résidus.



4. Rincer le filtre à l'eau chaude.
5. Bien sécher le filtre à charpie avec une serviette propre. Remplacer le filtre dans la sècheuse.

Nettoyage de l'intérieur de la sècheuse

Nettoyage du tambour de la sècheuse

1. Préparer une pâte avec un détergent à lessive en poudre et de l'eau très chaude.
2. Appliquer la pâte sur un linge doux.

OU

Verser un nettoyant liquide domestique ininflammable sur la surface tachée et frotter avec un linge doux jusqu'à ce que toute la teinture et les taches soient enlevées.

3. Essuyer complètement le tambour avec un linge humide.
4. Faire culbuter une charge de linge ou de serviettes propres pour sécher le tambour.

REMARQUE : Les vêtements contenant des teintures instables, tels que jeans en denim ou articles en coton de couleur, peuvent décolorer l'intérieur de la sècheuse. Ces taches ne sont pas nuisibles à votre sècheuse et ne tacheront pas les vêtements dans les charges futures. Faire sécher les articles à teinture instable en les tournant à l'envers pour empêcher le transfert de la teinture.

Retrait de la charpie accumulée

Dans la caisse de la sècheuse

Il faut retirer la charpie accumulée dans la caisse de la sècheuse tous les 2 ans ou plus souvent, selon l'utilisation de la sècheuse. Le nettoyage devrait être fait par une personne qualifiée.

Dans le conduit d'évacuation

La charpie devrait être nettoyée tous les 2 ans ou plus souvent, selon l'utilisation de la sècheuse.

Précautions à prendre pour les vacances et avant un déménagement

Période de vacances

On ne doit faire fonctionner la sècheuse que lorsqu'on est sur place. Si l'utilisateur doit partir en vacances ou n'utilise pas la sècheuse pendant une période prolongée, il convient d'exécuter les opérations suivantes :

1. Débrancher la sècheuse ou déconnecter la source de courant électrique.
2. Nettoyer le filtre à charpie. Voir "Nettoyage du filtre à charpie".

Précautions à prendre avant un déménagement

Pour les sècheuses raccordées avec cordon d'alimentation électrique :

1. Débrancher le cordon d'alimentation électrique.
2. Veiller à ce que les pieds de nivellement soient fixés solidement à la base de la sècheuse.
3. Utiliser du ruban masque pour fixer la porte de la sècheuse.

⚠ AVERTISSEMENT



Risque de choc électrique

Déconnecter la source de courant électrique avant l'entretien.

Remplacer pièces et panneaux avant de faire la remise en marche.

Le non-respect de ces instructions peut causer un décès ou un choc électrique.

Pour les sècheuses à raccordement direct :

1. Débrancher le câblage si la sècheuse est en prise directe
2. Veiller à ce que les pieds de nivellement soient fixés solidement à la base de la sècheuse.
3. Utiliser du ruban masque pour fixer la porte de la sècheuse.

Changement de l'ampoule d'éclairage du tambour

La lumière de la sècheuse s'allume automatiquement à l'intérieur du tambour lorsqu'on ouvre la porte.

Changement de l'ampoule du tambour

1. Débrancher la sècheuse ou déconnecter la source de courant électrique.
 2. Ouvrir la porte de la sècheuse. Trouver le couvercle de l'ampoule d'éclairage sur la paroi arrière de la sècheuse. Enlever la vis située au coin inférieur droit du couvercle. Enlever le couvercle.
 3. Tourner l'ampoule dans le sens antihoraire. Remplacer l'ampoule seulement par une ampoule de 10 watts pour appareil électroménager. Réinstaller le couvercle et le fixer avec la vis.
 4. Brancher la sècheuse ou reconnecter la source de courant électrique.
-

DÉPANNAGE

Essayer d'abord les solutions suggérées ici; elles pourraient vous éviter le coût d'une visite de service...

La sècheuse affiche un message codé

- **"PF" (panne de courant), vérifier ce qui suit :**
Le programme de séchage a-t-il été interrompu par une panne de courant? Appuyer sans relâcher sur START (Mise en marche) pour remettre la sècheuse en marche.
 - **Codes de service "E" (E1, E2, E3) :**
Faire un appel de service.
-

Séchage insatisfaisant des vêtements

- **Vérifier ce qui suit :**
Le filtre à charpie est-il obstrué de charpie?
 - Le conduit ou la hotte d'évacuation à l'extérieur sont-ils obstrués de charpie qui restreint le mouvement de l'air? Faire fonctionner la sècheuse pendant 5 à 10 minutes. Tenir la main sous la hotte d'évacuation à l'extérieur pour vérifier le déplacement de l'air. Si on ne sent pas de déplacement d'air, enlever la charpie du système d'évacuation ou remplacer le conduit d'évacuation par un conduit en métal lourd ou en métal souple. Voir les "Instructions d'installation".
 - Le conduit d'évacuation est-il écrasé ou déformé? Le remplacer par un conduit en métal lourd ou en métal souple. Voir les "Instructions d'installation".
 - Un fusible est-il grillé ou un disjoncteur s'est-il ouvert? Les sècheuses électriques emploient 2 fusibles ou disjoncteurs. Le tambour peut tourner, mais il n'y a pas de chaleur.
 - A-t-on choisi un programme Air Dry (séchage à l'air)? Choisir le bon programme pour le type de vêtements à faire sécher. Voir "Programmes".
 - Le programme automatique se termine-t-il trop tôt? La charge n'entre peut-être pas en contact avec les bandelettes à détecteur électronique. Mettre la sècheuse d'aplomb.
 - Des feuilles d'assouplissant de tissu bloquent-elles la grille? N'utiliser qu'une seule feuille d'assouplissant et ne l'utiliser qu'une seule fois.
-

- **La sècheuse se trouve-t-elle dans une pièce où la température ambiante est inférieure à 45°F (7°C)?**
Le bon fonctionnement des programmes de la sècheuse nécessite une température ambiante supérieure à 45°F (7°C).
 - **A-t-on utilisé un rinçage à l'eau froide? La charge était-elle très mouillée?**
Prévoir des durées de séchage plus longues avec les articles rincés à l'eau froide et ceux qui retiennent l'humidité (cotons).
 - **La charge est-elle trop considérable ou trop lourde pour un séchage rapide?**
Séparer la charge pour que les vêtements culbutent librement.
-

La sècheuse ne fonctionne pas

- **Vérifier ce qui suit :**
Le cordon d'alimentation est-il branché?
Un fusible est-il grillé ou un disjoncteur s'est-il ouvert?
Utilise-t-on un fusible régulier? Utiliser un fusible temporisé.
La porte de la sècheuse est-elle bien fermée?
A-t-on appuyé fermement sur Start pendant au moins 1 seconde?
A-t-on choisi un programme?
-

Sons inhabituels

- **La sècheuse est-elle restée hors service pendant un certain temps?**
Si la sècheuse n'a pas été utilisée pendant un certain temps, il est possible qu'on entende un bruit de cognement au cours des premières minutes de fonctionnement.
-

Charpie sur la charge

- **Le filtre à charpie est-il obstrué?**
Nettoyer le filtre à charpie. Vérifier la circulation de l'air.
- **La charge est-elle bien triée?**
Séparer le linge qui produit de la charpie (serviettes, chenille) du linge qui en recueille (velours côtelé, tissus synthétiques). Trier aussi les couleurs.
- **La charge est-elle trop considérable ou trop lourde?**
Faire sécher des charges plus petites de telle sorte que la charpie soit dirigée vers le filtre à charpie.
- **La charge a-t-elle été séchée à l'excès?**
Choisir le bon réglage de séchage pour le type de charge. Voir "Changement des programmes, options et modificateurs". Un séchage excessif peut provoquer de l'électricité statique attirant la charpie.
- **A-t-on laissé du papier ou des mouchoirs en papier dans les poches?**
- **Prend-on le boulochage pour de la charpie?**
Le boulochage (surface boulochée) est causé par l'usure normale et le lavage.

Présence de taches sur les vêtements ou décoloration

- **L'assouplissant de tissu pour sècheuse a-t-il été utilisé de façon appropriée?**
Ajouter les feuilles d'assouplissant de tissu pour sècheuse au début du programme lorsque le linge est encore froid. Ne pas ajouter de feuilles d'assouplissant de tissu à une charge chaude.
- **A-t-on placé des articles sales dans la sècheuse?**
Les articles doivent être propres avant d'être séchés.
- **Les articles ont-ils été triés correctement?**
Séparer les articles de couleur pâle des articles de couleur foncée. Séparer les couleurs grand teint des couleurs qui déteignent.

Rétrécissement des articles

- **La sècheuse a-t-elle été surchargée?**
Faire sécher de plus petites charges qui peuvent culbuter librement.
- **Le linge a-t-il été séché à l'excès?**
Vérifier l'étiquette d'entretien des vêtements du fabricant. Faire correspondre le réglage de la sècheuse au type de charge. Voir "Programmes".

Linge froissé

- **A-t-on sorti le linge de la sècheuse dès la fin du programme?**
- **La sècheuse a-t-elle été surchargée?**
Faire sécher de plus petites charges qui peuvent culbuter librement.
- **Le linge a-t-il été séché à l'excès?**
Vérifier l'étiquette d'entretien des vêtements du fabricant. Faire correspondre le réglage de la sècheuse au type de charge. Voir "Programmes".

Odeurs

- **A-t-on récemment utilisé de la peinture, de la teinture ou du vernis dans la pièce où se trouve la sècheuse?**
Si c'est le cas, aérer la pièce. Une fois les odeurs ou émanations disparues, laver et sécher à nouveau les vêtements.
- **La sècheuse est-elle utilisée pour la première fois?**
Les éléments de chauffage électriques neufs peuvent produire une certaine odeur. L'odeur disparaîtra après le premier programme.

Vêtements endommagés

- **Vérifier ce qui suit :**
Les fermetures à glissière, les boutons pression et les agrafes ont-ils été laissés ouverts?
A-t-on attaché les cordons et ceintures écharpes pour éviter qu'ils ne s'emmêlent?
A-t-on suivi les instructions d'entretien des vêtements sur l'étiquette du fabricant?
Les articles étaient-ils endommagés avant le séchage?

Get it fixed, at your home or ours!

Just Call:

1-800-4-MY-HOME®

(1-800-469-4663)

24 hours a day, 7 days a week

For the repair of major brand appliances **in your own home...**
no matter who made it, no matter who sold it!

For your nearest **Sears Parts and Service** location,
to bring in products like vacuums, lawn equipment and electronics.

For **Sears Parts & Service**, to order the replacement parts,
accessories and owner's manuals that you need to do-it-yourself.

www.sears.ca

To purchase or inquire about a Sears Maintenance Agreement, call:

1-800-361-6665

9 a.m. – 8 p.m. EST, Mon. – Fri., 4 p.m. Sat.

Pour service en français:

1-800-LE-FOYER^{MC}

(1-800-533-6937)

www.sears.ca

The Sears logo is centered at the bottom of the page. It features the word "Sears" in a bold, serif font. A horizontal line is positioned below the letters "e" and "a".

Free Manuals Download Website

<http://myh66.com>

<http://usermanuals.us>

<http://www.somanuals.com>

<http://www.4manuals.cc>

<http://www.manual-lib.com>

<http://www.404manual.com>

<http://www.luxmanual.com>

<http://aubethermostatmanual.com>

Golf course search by state

<http://golfingnear.com>

Email search by domain

<http://emailbydomain.com>

Auto manuals search

<http://auto.somanuals.com>

TV manuals search

<http://tv.somanuals.com>