

Use & Care Guide

Guía de Uso y Cuidado

Guide d'utilisation et d'entretien

English / Español / Français

Models / Modelos / Modèles: 417.8413*, 417.9413*

Kenmore Elite®

Front Load Dryer

Secadora a Cargo Frontal

Sécheuse à Chargement Frontal

* = Color number, número de color, le numéro de couleur

P/N 137413300 A (1012)

Sears Brands Management Corporation

Hoffman Estates, IL 60179 U.S.A.

www.kenmore.com

www.sears.com

Sears Canada Inc.

Toronto, Ontario, Canada M5B 2C3

www.sears.ca



Record Model/Serial Numbers

The model and serial numbers of your washer are found on the washer serial plate located on the inside of the door. Record and retain these numbers.

Model Number _____

Serial Number _____

Purchase Date _____

WARNING

For your safety the following information in this manual must be followed to minimize the risk of fire or explosion or to prevent property damage, personal injury or death.

Do not store or use gasoline or other flammable vapors and liquids in the vicinity of this or any other appliance.

WHAT TO DO IF YOU SMELL GAS:

- Do not try to light any appliance.
- Do not touch any electrical switch; do not use any phone in your building.
- Clear the room, building or area of all occupants.
- Immediately call your gas supplier from a neighbor's phone. Follow the gas supplier's instructions.
- If you cannot reach your gas supplier, call the fire department.

Installation and service must be performed by a qualified installer, service agency or the gas supplier.

Table of Contents

Important Safety Instructions.....	2-4
Warranty / Protection Agreement.....	5
Features.....	6
Operating Instructions.....	7-15
Care and Cleaning.....	16
Solutions to Common Problems.....	17-19
Notes.....	20
Español.....	21
Français.....	41

Important Safety Instructions


This **Use and Care Guide** provides general operating instructions for your dryer. It also contains information about features for several other models. Your dryer may not have every feature included.

The instructions appearing in this **Use and Care Guide** are not meant to cover every possible condition and situation that may occur. Common sense and caution must be practiced when installing, operating and maintaining any appliance. Use the dryer only as instructed in this **Use & Care Guide**.

Recognize safety symbols, words and labels

Safety items throughout this manual are labeled with a **WARNING** or **CAUTION** based on the risk type as described below:

Definitions

 This is the safety alert symbol. It is used to alert you to potential personal injury hazards. Obey all safety messages that follow this symbol to avoid possible injury or death.

DANGER

DANGER indicates an imminently hazardous situation which, if not avoided, will result in death or serious injury.

WARNING

WARNING indicates a potentially hazardous situation which, if not avoided, could result in death or serious injury.

CAUTION

CAUTION indicates a potentially hazardous situation which, if not avoided, may result in minor or moderate injury.

IMPORTANT

IMPORTANT indicates installation, operation or maintenance information which is important but not hazard-related.

**Save these instructions
for future reference.**

Important Safety Instructions

240 v Electric Dryer

10-30R
3-wire
(fused 30 amp)

14-30R
4-wire
(fused 30 amp)

UL-approved service cord must be installed on electric dryers (not provided with unit except those manufactured for sale in Canada).

120 v Gas Dryer

Grounding type wall receptacle

Do not, under any circumstances, cut, remove, or bypass the grounding prong.

Power cord with 3-prong grounded plug

Avoid fire hazard or electrical shock. Do not use an adaptor plug or extension cord or remove grounding prong from electrical power cord. Failure to follow this warning can cause serious injury, fire or death.

WARNING - RISK OF FIRE

To reduce the risk of fire, electrical shock, or injury to persons when using this dryer, comply with the basic warnings listed below. Failure to comply with these warnings could result in serious personal injuries.

You can be killed or seriously injured if you don't follow these Important Safety Instructions:

PREVENT FIRE

- Do not dry items that have been previously cleaned in, soaked in, or spotted with gasoline, cleaning solvents, kerosene, waxes, etc. Do not store these items on or near the dryer. These substances give off vapors that could ignite or explode.
- Do not place items exposed to cooking oils in your dryer. Items contaminated with cooking oils may contribute to a chemical reaction that could cause a load to catch fire.
- Do not dry articles containing rubber, plastic or similar materials such as bras, galoshes, bath mats, rugs, bibs, baby pants, plastic bags and pillows that may melt or burn. Some rubber materials, when heated, can under certain circumstances produce fire by spontaneous combustion.
- Clean the lint screen before or after each load. The interior of the dryer, lint screen housing and exhaust duct should be cleaned approximately every 18 months by qualified service personnel. An excessive amount of lint build-up in these areas could result in inefficient drying and possible fire. See Care and Cleaning.
- Do not operate the dryer if the lint screen is blocked, damaged or missing. Fire hazard, overheating and damage to fabrics can occur.
- Do not obstruct the flow of ventilating air. Do not stack or place laundry or throw rugs against the front or back of the dryer.
- Do not spray any type of aerosol into, on or near dryer at any time.
- Do not use fabric softeners or products to eliminate static unless recommended by the manufacturer of the fabric softener or product.
- Do not continue to use the dryer if you hear squeaking, grinding, rubbing or other unusual noises. This could be a sign of mechanical breakdown and lead to fire or serious injury. Contact a qualified technician immediately.
- Failure to comply with these warnings could result in fire, explosion, serious bodily injury and/or damage to the rubber or plastic parts of the dryer.



WARNING

FIRE HAZARD

A clothes dryer produces combustible lint. The dryer must be connected to an outdoors exhaust. Regularly inspect the outdoor exhaust opening and remove any accumulation of lint around the opening and in the surrounding area.

Important Safety Instructions

PROTECT CHILDREN

- Do not allow children to play on or in the dryer. Close supervision of children is necessary when the dryer is used near children. As children grow, teach them the proper, safe use of all appliances.
- Destroy the carton, plastic bag and other packing materials after the dryer is unpacked. Children might use them for play. Cartons covered with rugs, bedspreads or plastic sheets can become airtight chambers.
- Keep laundry products out of children's reach. To prevent personal injury, observe all warnings on product labels.
- Before the dryer is removed from service or discarded, remove the dryer door to prevent accidental entrapment.
- Failure to comply with these warnings could result in serious personal injuries.

PREVENT INJURY

- To prevent shock hazard and assure stability during operation, the dryer must be installed and electrically grounded by a qualified service person in accordance with local codes. Installation instructions are packed in the dryer for the installer's reference. Refer to INSTALLATION INSTRUCTIONS for detailed grounding procedures. If the dryer is moved to a new location, have it checked and reinstalled by a qualified service person.
- To prevent personal injury or damage to the dryer, the electrical power cord of a gas dryer must be plugged into a properly grounded and polarized 3-prong outlet. The third grounding prong must never be removed. Never ground the dryer to a gas pipe. Do not use an extension cord or an adaptor plug.

- ALWAYS disconnect the dryer from the electrical supply before attempting any service or cleaning. Failure to do so can result in electrical shock or injury.
- Do not use any type spray cleanser when cleaning dryer interior. Hazardous fumes or electrical shock could occur.
- To prevent injury, do not reach into the dryer if the drum is moving. Wait until the dryer has stopped completely before reaching into the drum.

PREVENT INJURY AND DAMAGE TO THE DRYER

- All repairs and servicing must be performed by a Sears or other qualified service dealer unless specifically recommended in this Use and Care Guide. Use only authorized factory parts.
- Do not tamper with controls.
- Do not install or store the dryer where it will be exposed to the weather.
- A thermal limiter switch automatically turns off the motor in the unlikely event of an overheated situation (electric dryers only). A service technician must replace the thermal limiter switch after correcting the fault.
- Failure to comply with these warnings could result in serious personal injuries.

CAUTION

The California Safe Drinking Water and Toxic Enforcement Act requires the Governor of California to publish a list of substances known to the state to cause cancer, birth defects or other reproductive harm, and requires businesses to warn customer of potential exposure to such substances. Included in this list are soot and carbon monoxide, both of which may be produced by the use of this product.

NOTE

The instructions appearing in this Use and Care Guide are not meant to cover every possible condition and situation that may occur. Common sense and caution must be practiced when installing, operating and maintaining any appliance.

Kenmore Appliance Warranty

One Year Limited Warranty

When installed, operated and maintained according to all instructions supplied with the product, if this appliance fails due to a defect in material or workmanship within one year from the date of purchase, call 1-800-4-MY-HOME® to arrange for free repair.

If this appliance is used for other than private family purposes, this warranty applies for only 90 days from the date of purchase.

This warranty covers only defects in material and workmanship. Sears will NOT pay for:

1. Expendable items that can wear out from normal use, including but not limited to filters, belts, light bulbs and bags.
2. A service technician to instruct the user in correct product installation, operation or maintenance.
3. A service technician to clean or maintain this product.
4. Damage to or failure of this product if it is not installed, operated or maintained according to all instructions supplied with the product.
5. Damage to or failure of this product resulting from accident, abuse, misuse or use for other than its intended purpose.
6. Damage to or failure of this product caused by the use of detergents, cleaners, chemicals or utensils other than those recommended in all instructions supplied with the product.
7. Damage to or failure of parts or systems resulting from unauthorized modifications made to this product.

Disclaimer of implied warranties; limitation of remedies

Customer's sole and exclusive remedy under this limited warranty shall be product repair as provided herein. Implied warranties, including warranties of merchantability or fitness for a particular purpose, are limited to one year or the shortest period allowed by law. Sears shall not be liable for incidental or consequential damages. Some states and provinces do not allow the exclusion or limitation of incidental or consequential damages, or limitations on the duration of implied warranties of merchantability or fitness, so these exclusions or limitations may not apply to you.

This warranty applies only while this appliance is used in the United States and Canada.

This warranty gives you specific legal rights, and you may also have other rights which vary from state to state.

Sears Brands Management Corporation, Hoffman Estates, IL 60179

Sears Canada Inc., Toronto, Ontario, Canada M5B 2C3

Master Protection Agreements

Congratulations on making a smart purchase. Your new Kenmore® product is designed and manufactured for years of dependable operation. But like all products, it may require preventive maintenance or repair from time to time. That's when having a Master Protection Agreement can save you money and aggravation.

The Master Protection Agreement also helps extend the life of your new product. Here's what the Agreement* includes:

- Parts and labor needed to help keep products operating properly under normal use, not just defects. Our coverage goes well beyond the product warranty. No deductibles, no functional failure excluded from coverage – real protection.
- Expert service by a force of more than 10,000 authorized Sears service technicians, which means someone you can trust will be working on your product.
- Unlimited service calls and nationwide service, as often as you want us, whenever you want us.
- "No-lemon" guarantee – replacement of your covered product if four or more product failures occur within twelve months.
- Product replacement if your covered product can not be fixed.
- Annual Preventive Maintenance Check at your request – no extra charge.
- Fast help by phone – we call it Rapid Resolution – phone support from a Sears representative on all products. Think of us as a "talking owner's manual".
- Power surge protection against electrical damage due to power fluctuations.
- \$250 Food Loss Protection annually for any food spoilage that is the result of mechanical failure of any covered refrigerator or freezer.
- Rental reimbursement if repair of your covered product takes longer than promised.
- 10% discount off the regular price of any non-covered repair service and related installed parts.

Once you purchase the Agreement, a simple phone call is all that it takes for you to schedule service. You can call anytime day or night, or schedule a service appointment online.

The Master Protection Agreement is a risk free purchase. If you cancel for any reason during the product warranty period, we will provide a full refund. Or, a prorated refund anytime after the product warranty period expires. Purchase your Master Protection Agreement today!

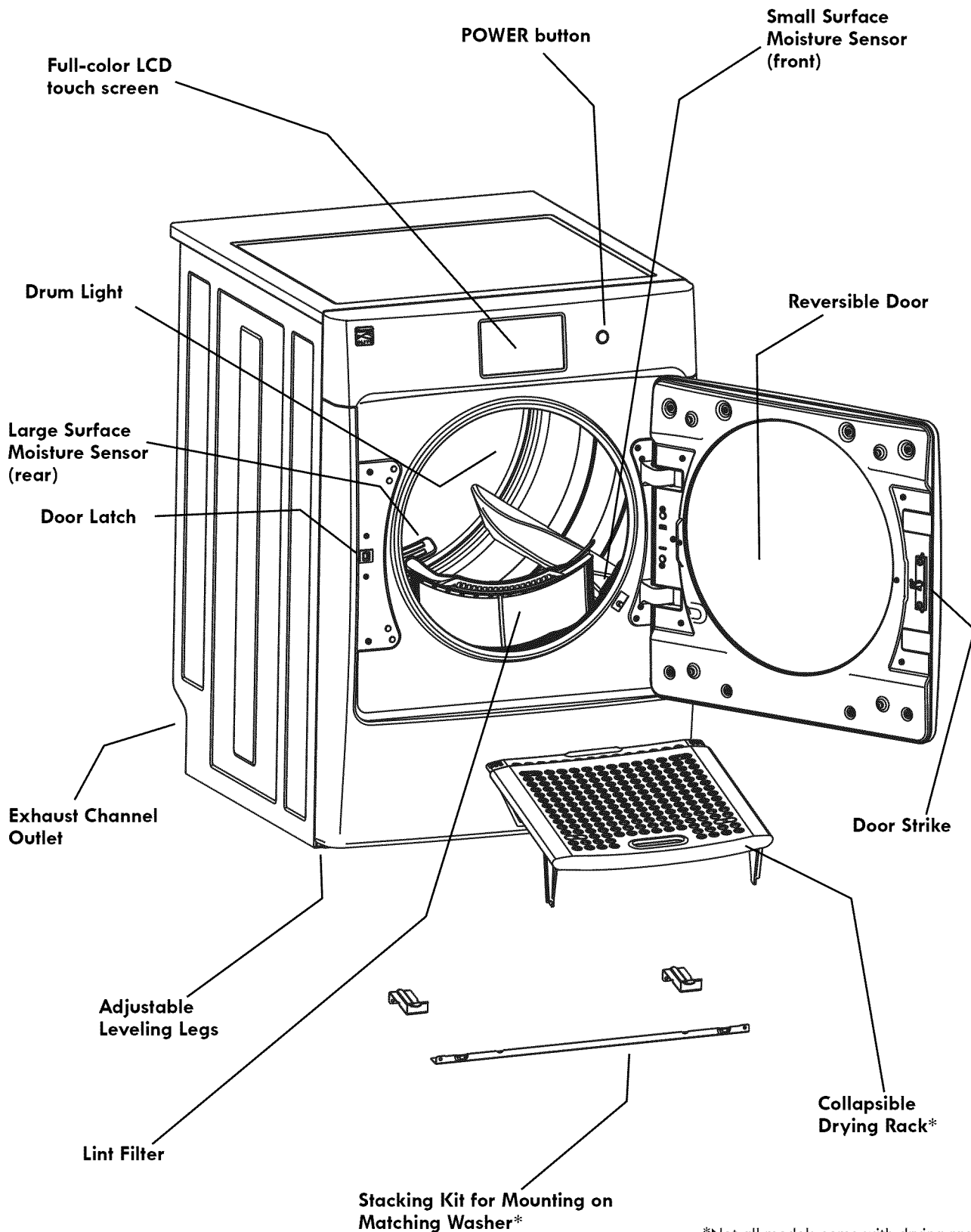
Some limitations and exclusions apply. For prices and additional information in the U.S.A. call 1-800-827-6655.

* Coverage in Canada varies on some items. For full details call Sears Canada at 1-800-361-6665.

Sears Installation Service

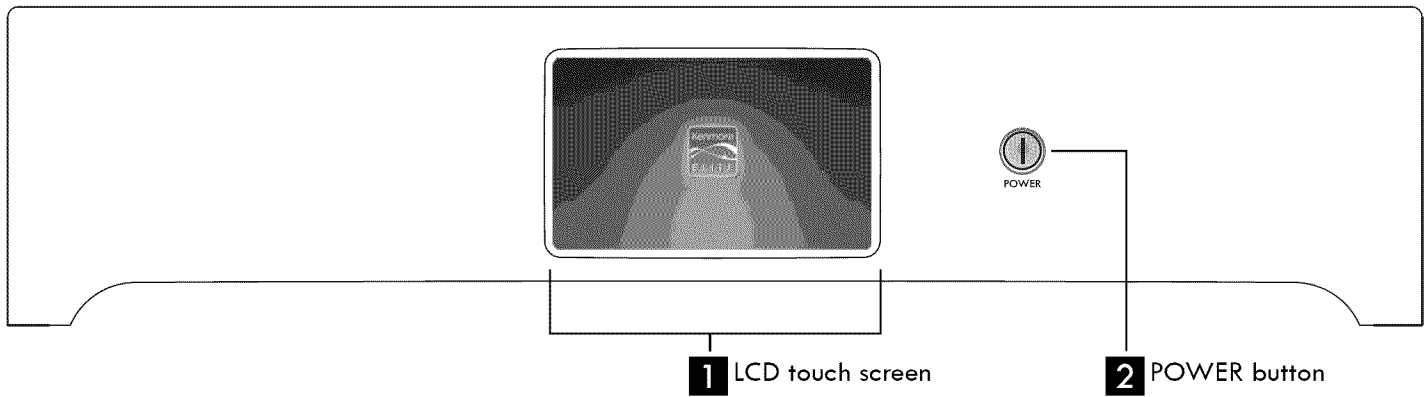
For Sears professional installation of home appliances, garage door openers, water heaters, and other major home items, in the U.S.A. or Canada call 1-800-4-MY-HOME®.

Features



*Not all models come with drying rack and stacking kit from the factory. They may be purchased as accessories.

Operating Instructions



This manual covers many models and not all cycles, options, or features listed are available on every model. Screen images shown are for reference only. Your model may differ.

Cycle Selection

Press the **POWER** button to turn on the unit. Use the touch screen to select the desired cycle. To scroll through the cycles 1) press the left or right arrow, 2) "press and drag" the list or 3) "touch and flick" the list. Touch the desired cycle to select it. The selected cycle will be highlighted.

To change the cycle once the cycle has begun, press **PAUSE** then **CANCEL**, select a new cycle, and press **▶ START** again.

SCREEN DISPLAY MODES

Standby Mode - after 5 minutes of inactivity LCD backlight goes down to 10%. Touching the screen brings back the backlight to the user settings.

Sleep Mode - after 25 minutes of inactivity from Standby, the LCD turns completely off. To wake up LCD press **POWER**.



For best results

Follow the fabric care label instructions on items to be dried.

Auto Dry Cycles

Auto Dry cycles take the guesswork out of selecting the correct drying time for each load. Moisture sensing bars at the back of the dryer drum sense the moisture level of the load as it tumbles through the heated air. With Auto Dry cycles, the load will automatically be dried at the selected temperature to the desired dryness level.

Auto Dry cycles save time and energy and protect fabrics. When the load has reached the selected dryness level, it will continue to tumble during a cool down period. This helps reduce wrinkling and makes items easier to handle during unloading.

Drying time varies depending on size and dampness of load and fabric type. If the load is too small or almost dry, the moisture sensing bars may not detect enough moisture to continue the cycle and the cycle may end after a few minutes. If this occurs, select a Timed Dry cycle.

Room temperature and humidity, type of installation and electrical voltage or gas pressure can also affect drying time.

Normal

Select this cycle to dry everyday fabrics including cottons, linens and sheets.

Heavy Duty

Select this Auto Dry cycle to dry durable fabrics such as heavily soiled jeans and overalls.

Towels

Select this cycle to dry heavy loads such as towels and non-rubber-backed bath mats.

Operating Instructions

Cycle Selection, continued

Khaki/Jeans

Select this Auto Dry cycle for drying an entire load of lightly to normally soiled denim jeans or similarly-colored cotton khakis.

Kids Wear

Select this specialty cycle for drying kids clothing and baby wear with **Soft Heat** technology.

Delicates

Select this Auto Dry cycle for knits and delicate items.

Ultra Delicates

Select this Auto Dry cycle for silks and other very delicate items.

Allergen

Select this Auto Dry cycle where you wish to reduce allergens as you dry your load. Items prone to heat damage are not recommended for this cycle.

Sanitize

Select this Auto Dry cycle for durable fabrics and towels to remove harmful bacteria from your clothing or other items where sanitization is desired.

NOTE

This cycle has been certified by NSF International®, an independent third-party testing and certification organization dedicated to public health, safety and environmental protection.



NSF Protocol P154
Sanitization Performance of
Residential Clothes Dryers

This option will kill 99.9% of bacteria with no carryover of bacteria between loads. A higher temperature is required. Please check fabric care labels to prevent damage.

Bulky/Bedding

Select this Auto Dry cycle to dry bedding and bulky items such as comforters, blankets, sleeping bags and parkas.

Casual

Select this cycle to dry cottons, blends and permanent press items with a no-iron finish.

Mixed Load

Select this Auto Dry cycle to dry loads containing a mix of fabrics.

Timed Dry Cycles

WARNING

FIRE HAZARD

To avoid fire hazard, do not use heat to dry items containing feathers or down, foam rubber, plastics similarly textured, rubber-like materials. Use the Timed Dry cycle and the Air Only setting.

Steam Refresh

Select this cycle to refresh fabrics, release wrinkles, remove odors, and reduce static by injecting the perfect amount of steam into clothing that has been left in the dryer, stored in crowded closets, drawers, or unpacked luggage.

NOTE

- Steam may not necessarily be visible inside drum during the **Steam Refresh** cycle.
- Steam may not be present during entire cycle.
- It is not recommended to use fabric softener sheets with **Steam Cycles** or **Options** as it may cause staining on clothes.

Express Dry

Select this timed cycle to quickly dry small loads in 18 minutes.

Touch Up

Select **Touch Up** to help remove wrinkles from clean and dry items that were not taken from the dryer at the end of the cycle. It provides approximately 10 minutes of tumbling followed by a 5-minute cool down period.

Timed Dry

To manually select the drying time for any load, scroll to select to **Timed Dry**. Select the appropriate drying time with the drying time button on the setting panel.

Because this is not an Auto Dry cycle, you will not be able to select a dryness level.

♥ MyCycle

Choose on of your three most used cycles preloaded with your favorite settings and options. Up to three users can each have three favorite ♥ **MyCycles**.

See ♥ **Save MyCycle** in the "Home Screen Options" section of this guide for instructions on customizing up to 3 cycles.

Cycle Settings

Appropriate drying Temperature and Dryness Level will automatically be displayed for each cycle. The settings can be changed before the cycle is started.

To adjust cycle settings, press any of the settings buttons to navigate to the cycle settings screen. Scroll through the temperature, dry level, or drying time selections by pressing the up or down arrows corresponding to each setting.

To protect your fabrics, not all settings are available with every cycle. Only the settings available for a particular cycle will be displayed. After you have made the desired adjustments, press the **Back** button to return to the home screen or **▶ START** to begin the cycle.



NOTE

To change the settings after the cycle starts, press **▶ PAUSE** and then press the **Cycle Settings** button. Adjust the settings and press **▶ START** to resume the cycle.



DRYING TEMPERATURE

Extra High

Recommended for towels and heavy duty loads.

High

Recommended for durable fabrics.

Medium High

Recommended for most cotton fabrics.

Medium

Recommended for wrinkle free, easy care, lightweight fabrics and bulky loads.

Medium Low

Recommended for knits.

Low

Recommended for delicate fabrics.

Air Only

This setting (no heat) can only be used with a **Timed Dry** cycle to dry items containing feathers, down, foam rubber, plastics or rubber-like materials; to refresh clothing, stuffed animal, pillows or blankets; and to dust draperies.

DRY LEVEL (Auto Dry)

Select the **Normal** dry level for most Auto Dry cycles.

Occasionally a load may seem too damp or over-dried at the end of the cycle. To increase drying time for similar loads in the future, select a higher setting. For loads requiring less drying time, select a lower setting.

Select **Damp Dry** for items you wish to partially dry before hanging or ironing.

DRYING TIME (Timed Dry)

Press the time button to select from 10 to 90 minutes of drying time in 10-minute increments. This setting is only available with the **Timed Dry** cycle.

Operating Instructions

Cycle Options

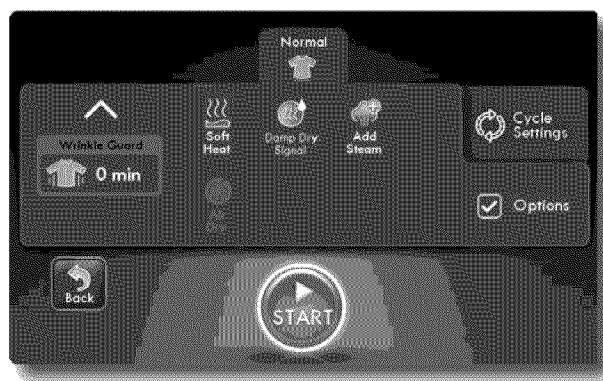
Appropriate Options will automatically be displayed for each cycle. The number of options selected will be displayed numerically on the **Options** button. Options can be added or deleted before the cycle is started.

To adjust options, press the **Options** button to navigate to the options screen. To add options, press the corresponding options buttons. Selected options will be highlighted. To delete options, press the corresponding options buttons again.

To protect your fabrics, not all options are available with every cycle. If an option is not available with a particular cycle, it is faded out. Occasionally, options in the same cycle will conflict with each other, such as **Soft Heat** and **Air Dry**. When this happens, the option selected first will cause the conflicting option to not be selectable. After you have made the desired adjustments, press the **Back** button to return to the home screen or **START** to begin the cycle.

NOTE

To change the options after the cycle starts, press **PAUSE** and then press the **Cycle Settings** button. Adjust the settings and press **START** to resume the cycle.



Wrinkle Guard

Select **Wrinkle Guard** if the dried load might not be removed promptly at the end of the cycle. The dry load will continue tumbling without heat to help reduce wrinkling. When **Chime** is selected, a beep will be heard periodically. The load may be removed any time during **Wrinkle Guard**.

Soft Heat

Select the **Soft Heat** option to protect a load from excessive heat which can lead to shrinking and over-drying. The drying temperature will be gradually reduced as the load dries.

Add Steam

The **Add Steam** option injects steam into the clothing prior to cool down to reduce wrinkling.

NOTE

- Steam may not necessarily be visible inside drum during the **Add Steam** option.
- It is not recommended to use fabric softener sheets with **Steam Cycles** or **Options** as it may cause staining on clothes.

Damp Dry Signal

For loads that contain some items you plan to hang dry, flat dry or iron, add the **Damp Dry Signal** option to any Auto Dry cycle. If the **Chime** is turned up, a chime will sound when the load has reached the **Damp Dry** dryness level to remind you to remove those items to hang dry, dry flat or iron dry. Open the door, remove those items, close the door and press the **START** button to continue drying the remaining items.

Air Dry

This setting (no heat) can only be used with a **Timed Dry** cycle to dry items containing feathers, down, foam rubber, plastics or rubber-like materials; to refresh clothing, stuffed animal, pillows or blankets; and to dust draperies.

Home Screen Options



💡 Drum Light (1)

The drum light will come on whenever the door is opened to illuminate the drum during loading and unloading. Closing the door turns off the light. The drum light will automatically turn off if the door is left open more than 3 minutes.

You can activate the drum light during a cycle by pressing light bulb icon . The light will stay on during the cycle for 3 minutes. To turn it off, press the icon again.

🔒 Control Lockout, Press & Hold (2)

To lock the controls between or during cycles, press and hold the **Control Lockout** icon for **5** seconds. Press the large lock icon to unlock the controls when you are ready to operate the washer. Use this feature to reduce the likelihood of accidental operation by children.

♥ Save MyCycle (3)

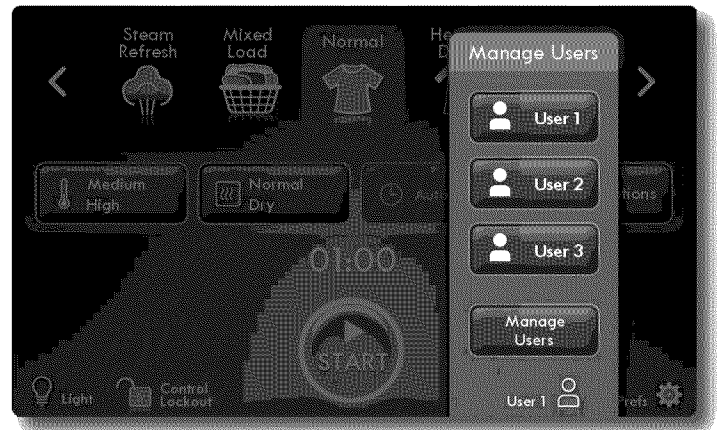
Customize and save your most used cycles with your preferred settings and options. Press **Save** for up to three custom **MyCycles**. The customized cycle will be saved to the active User. If you have populated all three available **MyCycles**, you will be asked which one you would like to overwrite if you request to save another.

NOTE

If you pause a **MyCycle** and adjust options or settings, the adjustments will not automatically be saved. You must press **Save** again to retain the adjustments.

User (4)

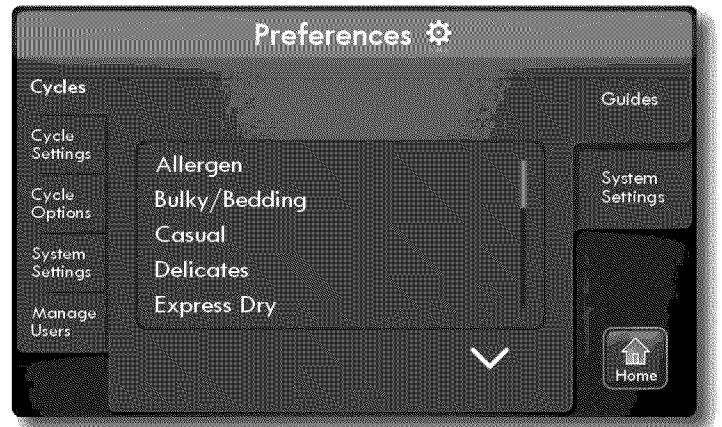
Manage users by pressing the User icon on the Home screen.



Up to three Users are available. Within the Manage Users screen you may clear Users, change User icons, or delete **MyCycles** within a particular user.

⚙ Preferences (5) - Guides

Enter the Preferences screen by pressing the **Prefs** icon on the Home screen.



On the Guides tab you can: browse descriptions of each wash cycle; view details of cycle settings, options and systems settings; and follow directions on how to manage users.

⚙ Preferences (5) - System Settings



On the System Settings tab you can adjust the Chime setting from Off to Loud and adjust the display brightness for ease of viewing in your installation setting. Using the lower buttons you may: change the interface language; run the Install Cycle; reset the unit to factory defaults; or calibrate the touch screen.

Operating Instructions

Dryer Settings Chart

These temperatures, dryness levels and options are available with the following cycles:

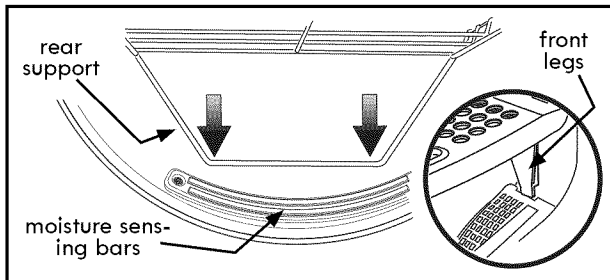
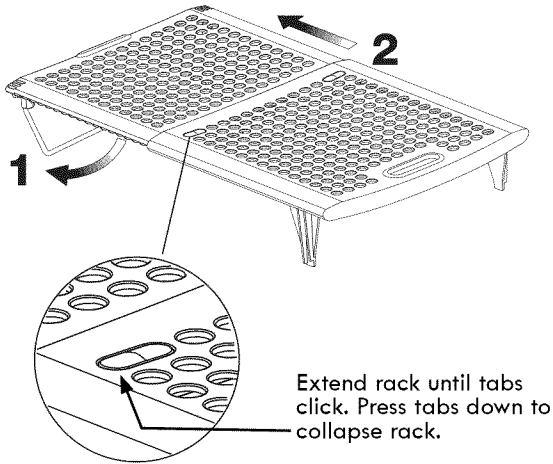
	Normal	Heavy Duty	Touch Up	Towels	Khaki/Jeans	Kids Wear	Delicates	Ultra Delicate	Timed Dry	Allergen	Sanitize	Bulky/Bedding	Casual	Express Dry	Steam Refresh	Mixed Load
Temp																
Extra High		✓		✓					✓	✓	✓			✓		
High	✓	✓		✓	✓	✓			✓					✓	✓	
Medium High	✓	✓		✓	✓	✓			✓			✓	✓	✓		✓
Medium	✓				✓	✓	✓		✓			✓	✓	✓		✓
Medium Low			✓				✓		✓			✓	✓			✓
Low								✓	✓							
Air Only									✓							
Dry Level																
Extra		✓		✓	✓					✓	✓					
More	✓	✓		✓	✓	✓										✓
Normal	✓	✓		✓	✓	✓	✓					✓	✓			✓
Less	✓	✓			✓	✓	✓	✓				✓	✓			✓
Damp	✓				✓		✓	✓					✓			✓
Options																
Wrinkle Guard	✓	✓			✓	✓	✓	✓	✓			✓	✓			✓
Add Steam	✓				✓		✓						✓		✓	
Damp Dry Signal	✓	✓			✓	✓	✓	✓				✓	✓			✓
Soft Heat	✓	✓			✓	✓	✓	✓	✓			✓	✓			✓
Air Dry			✓						✓							
Drum Light	✓	✓	✓	✓	✓	✓	✓	✓	✓	✓	✓	✓	✓	✓	✓	✓
Control Lockout	✓	✓	✓	✓	✓	✓	✓	✓	✓	✓	✓	✓	✓	✓	✓	✓

✓ = Available selections.  = Cycle defaults.  = Non-modifiable presets.

Other Features

Drying Rack

Use the drying rack to dry items which should not be tumble dried. Fold down the metal support on the back of the rack and slowly extend the rack until the lock tabs click into place. Insert the rack into the dryer drum, resting the back support on the moisture sensor bars and the front legs on each side of the lint filter slot.



Place items to be dried on top of the rack, leaving space between items and not allowing them to hang over the sides or through the holes. The weight should not exceed 10 lbs (4.5 kg). Select **Timed Dry** with **Air Fluff** option for items containing plastic, foam rubber, rubber-like materials, feathers or down.

When items are dry, remove the rack, push the two center tabs to collapse the rack and fold up the back support. Store the drying rack in a convenient location.

Reversible Door

Your dryer is equipped with a reversible door. The door can be hinged on the right or left side.

NOTE

For step-by-step instructions on DOOR REVERSAL, refer to the *Installation Instructions* supplied with this dryer.

Check Exhaust

The **Check Exhaust** feature may alert you to performance characteristics that are indicative of poor airflow through your venting system. If such a situation occurs, a "**Check Exhaust**" warning will be displayed during the remainder of the cycle. You should immediately unplug your dryer and inspect your venting system. Make any repairs or perform any cleaning procedures necessary. Also call 1-800-4-MY-HOME® for information regarding duct cleaning services offered through Sears.

IMPORTANT

The **Check Exhaust** feature is not intended to replace the requirements for scheduled vent inspection and routine maintenance as described in this *Use and Care Guide* and also in the *Installation Instructions*. It is the owner's responsibility to continue to maintain a free-flowing vent system.

If **Check Exhaust** alerts are repeatedly overlooked, decreased drying performance will be noticed and some cycles may not perform complete duration.

Maintaining a clean exhaust system improves operating efficiency and helps minimize service calls, saving you time and money.

Operating Instructions

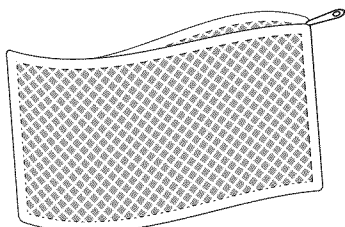
Operating Your Dryer

WARNING

To reduce the risk of fire, electric shock or injury to persons, read the **IMPORTANT SAFETY INSTRUCTIONS** in this Use and Care Guide before operating your dryer.

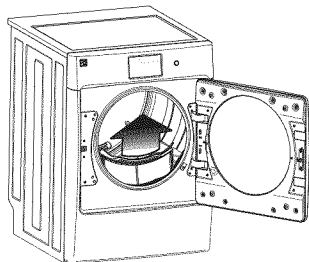
1 Prepare load for drying.

- Dry items of similar fabric, weight and construction in the same load.
- Separate dark items from light-colored items. Separate items that shed lint from those that attract lint.
- Check for stains which may not have been removed in washing. Repeat stain removal process and wash again before drying. Dryer heat may permanently set some stains.
- Place delicate or small items in a mesh bag.
- Be sure buckles, buttons and trim are heat-proof and won't damage the drum finish. Close zippers, button buttons, fasten hooks and Velcro®-like fasteners. Tie strings and sashes to prevent snagging and tangling.



(Mesh bag not included.)

2 Check that the lint filter is clean and in place.



3 Load the dryer and close the door.

- Load items loosely. The average wet load will fill the drum 1/3 to 1/2 full. Items need room to tumble freely for even drying and less wrinkling.
- If desired, place a dryer fabric softener sheet on top of the load at the beginning of the cycle.
- To save energy and time and avoid uneven drying and wrinkling, do not overload the dryer.
- When drying large items, dry only two or three items at a time. Fill out the load with small and medium sized items.
- For delicate or very small loads, add two or three similar items to improve tumbling action.

4 Select the appropriate cycle and settings for each load.

NOTE

Over-drying can cause wrinkles, shrinkage, lint, harshness and a build up of static electricity.

- Press the **POWER** button turn on the unit.
- Scroll in either direction to select the cycle desired.
- The estimated cycle time, suitable drying temperature, dryness level and the number of options will automatically be indicated for the cycle selected. See the **Dryer Settings Chart** for more details.
- To change the settings, press the **Temperature** or **Dry Level** buttons to enter the cycle settings screen. Make your desired adjustments and press the Back button.
- To change options, press the **Options** button to enter the options screen. A check mark will indicate each option has been selected. To deselect an option, simply press a checked option and the check mark will be removed.

NOTE

To provide the best care for your laundry, not every setting or option is available with every cycle. If a setting or option is not available for the cycle selected, the indicator will not light.

5 Start the cycle.

- Close the door and press ► **START**. The dryer will not operate with the door open. A pop-up window will be displayed as a reminder to close the door.
- To change the cycle once the cycle has begun, press **POWER** to cancel the current cycle, press **POWER** to turn on unit again, select a new cycle, and press ► **START** again.
- To add or remove items when the dryer is running, open the door. The dryer will stop when the door is opened. Allow the drum to come to a complete stop before reaching inside.
- Close the door and press ► **START** to resume the cycle.
- A signal will sound at the end of the cycle if the **Chime** preference is activated.

6 When the cycle ends, remove items immediately and hang or fold.

IMPORTANT

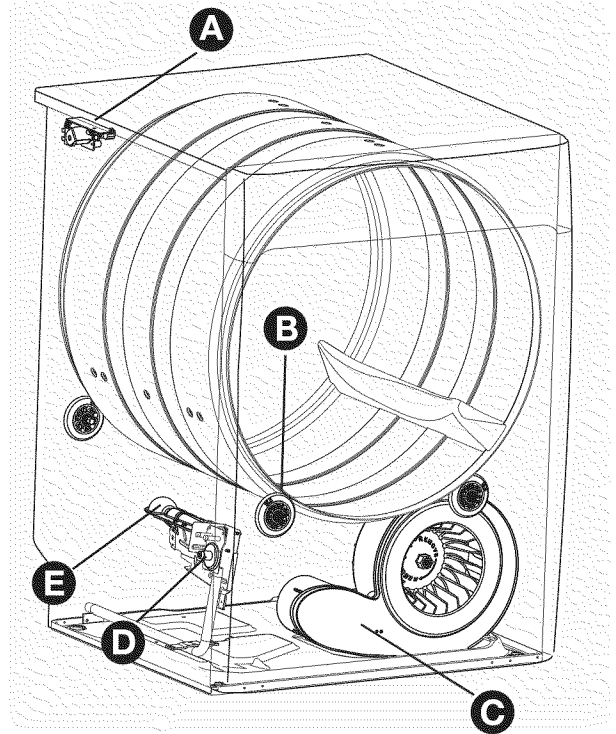
Clean the lint filter after every load.

Operating Instructions

Normal Operating Sounds

You may or may not hear the following sounds from your new dryer:

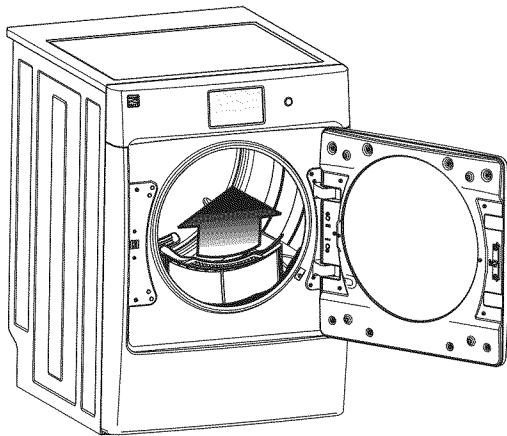
- A. WATER VALVE** The flow of water is controlled by electric solenoids. During operation there may be a clicking sound as the valve opens and closes to control the water flow.
- B. SUSPENSION ROLLERS** The dryer drum is supported by a set of suspension rollers. At times there may be a thumping or rolling sound when the dryer starts. This may happen if the dryer has not been in use for a period of time, or after a heavy load has remained in the dryer drum for an extended period, creating a temporary flat spot on the edge of the roller. The noise should dissipate as the dryer operates and any flat spots smooth out.
- C. AIR FLOW SYSTEM** Your dryer is equipped with a high volume air handling system. In some installations there may be some sounds associated with air movement throughout the dryer, including the air duct, blower, and exhaust system. This is normal and can vary with load size and type.
- D. GAS VALVE (Gas models only.)** The flow of gas is controlled by electric solenoids. During operation there may be a clicking sound as the valve opens and closes to control the gas flow.
- E. GAS BURNER (Gas models only.)** When the burner is operating, there may be sounds generated as the air flow mixes with the gas flame. This noise is normal and will only occur when the gas is ignited in the combustion tube.



CAUTION

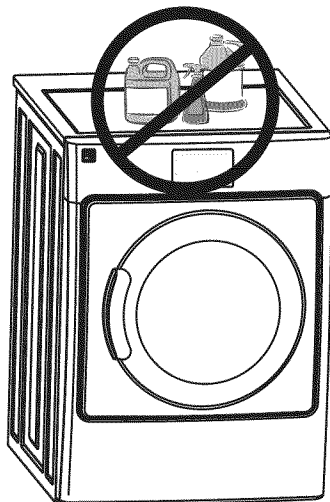
Do not continue to use the dryer if you hear squeaking, grinding, rubbing or other unusual noises. This could be a sign of mechanical breakdown and lead to fire or serious injury. Contact a qualified technician immediately.

Care and Cleaning



→ IMPORTANT

Clean the lint filter after every load.



→ IMPORTANT

Do not store or place laundry products on top of dryer at any time. They can damage the finish or controls.

⚠ WARNING

FIRE HAZARD

A clothes dryer produces combustible lint. The dryer must be connected to an outdoors exhaust. Regularly inspect the outdoor exhaust opening and remove any accumulation of lint around the opening and in the surrounding area.

⚠ WARNING

To reduce risk of fire or serious injury to persons or property, comply with the basic warnings listed in the Important Safety Instructions and those listed below.

- Before cleaning the dryer interior, unplug the electrical power cord to avoid electrical shock hazards.
- Do not use any type of spray cleanser when cleaning the dryer interior. Hazardous fumes or electrical shock could occur.

INSIDE

- Clean the lint filter after every load. Lint build-up on the filter restricts air flow, which causes longer drying times. The filter is located at the bottom of the door opening. Remove by pulling straight up. Remove the lint and replace the filter.
- Occasionally a waxy build-up may form on the lint filter and/or moisture sensing bars from using dryer-added fabric softener sheets. To remove this build-up, wash the filter and bars with warm, soapy water. Dry the filter thoroughly and replace. Do not operate the dryer without the lint filter in place.
- If the dryer drum becomes stained from noncolorfast fabrics, clean the drum with a damp cloth and a mild liquid household cleanser. Remove cleanser residue before drying the next load.
- Every 18 months an authorized servicer should clean the dryer cabinet interior and exhaust duct. These areas can collect lint and dust over time. An excessive amount of lint build-up could result in inefficient drying and possible fire hazard.

OUTSIDE

- Clean the cabinet with mild soap and water. Never use harsh, gritty or abrasive cleansers.
- If the cabinet becomes stained, clean with diluted chlorine bleach (1 part bleach to 8 parts water). Rinse several times with clear water.
- Remove glue residue remaining from tape or labels with a mixture of warm water and mild detergent.
- When cleaning chrome parts use a window cleaner with ammonia or mild soap and water.
- Before moving the dryer, place a strip of cardboard or thin fiberboard under the front leveling legs to prevent damage to the floor.

Instructions for Cleaning LCD Touch Screen

DO

- Use a soft cloth to clean the screen.
- Gently wipe in one direction - top to bottom, or side to side.
- Cleaners can be used for heavily soiled screens. Approved cleaners are: glass cleaners or mild soap and water. Apply first to a soft cloth and then wipe the screen.
- After using an approved cleaner, ensure all edges and corners are dry after wiping.

DON'T

- Spray cleaner directly to the screen
- Apply excessive force to the screen during cleaning.
- Use harsh solvents or abrasive cleaners on the screen. Unapproved cleaners or applicators include: bleach, drain cleaners, oven cleaners, strong acids, abrasive towels, brushes, or steel wool.

Solutions to Common Problems

Common Drying Problems

Many drying problems involve poor cleaning results from washing, including poor soil and stain removal, residues of lint and scum, and fabric damage. For satisfactory drying results, follow these suggestions provided by The Soap and Detergent Association.

PROBLEM	POSSIBLE CAUSES	SOLUTIONS	PREVENTIVE MEASURES
Greasy, oily stains	<ul style="list-style-type: none"> Fabric softener sheet. 	<ul style="list-style-type: none"> Rub fabric softener stains with bar soap. Rinse and rewash. 	<ul style="list-style-type: none"> Add a few bath towels to small loads for proper tumbling. Some "silk-like" fabrics should be air dried. Use proper drying temperature. Place fabric softener sheet on top of load before starting the dryer.
Lint	<ul style="list-style-type: none"> Overloading. Overdrying causes static electricity. Lint screen not clean when cycle began. Lint "pills" clinging to fabric 	<ul style="list-style-type: none"> Reduce load size and rewash using liquid fabric softener in the final rinse. Or, add a fabric softener sheet and tumble without heat. Use lint brush or roller to remove lint. 	<ul style="list-style-type: none"> Do not overload dryer. Use fabric softener in washer or dryer to reduce static electricity. Remove items when they are slightly damp to avoid overdrying. Check that lint filter is clean and in place.
Pilling (Fibers break off, ball up and cling to fabric.)	<ul style="list-style-type: none"> Overdrying. 	<ul style="list-style-type: none"> Use a lint brush or shaver to remove lint pills. 	<ul style="list-style-type: none"> Use fabric softener to lubricate fibers. When ironing, use spray starch or fabric finish on collars and cuffs. Turn items inside out to reduce abrasion.
Shrinking	<ul style="list-style-type: none"> Temperature too high. Overdrying. 	<ul style="list-style-type: none"> Irreversible condition. 	<ul style="list-style-type: none"> Follow fabric care label directions. If shrinking is a concern, check load often. Remove items while slightly damp and hang or lay flat to complete drying. Block knits into shape.
Wrinkling	<ul style="list-style-type: none"> Overloading. Leaving items in dryer after cycle ends. 	<ul style="list-style-type: none"> Reduce load size and tumble at medium or low heat for 5-10 minutes. Remove items immediately. Hang or fold. 	<ul style="list-style-type: none"> Do not overload dryer. Remove items as soon as cycle ends.

Solutions to Common Problems

Avoid Service Checklist

Before calling for service, review this list. It may save both time and expense. The list includes common occurrences that are not the result of defective workmanship or materials in this dryer.

IMPORTANT

Disconnect dryer from electrical service before performing any work on unit or on associated systems (including electrical supply, gas inlet, water inlet or exhaust venting).

OCCURRENCE	POSSIBLE CAUSE	SOLUTION
Dryer does not start.	Electrical power cord is not securely plugged in or plug may be loose.	Make sure the plug fits tightly in wall outlet.
	House fuse blown or circuit breaker tripped.	Reset circuit breaker or replace fuse.
	Thermal limiter tripped.	Make sure electrical line is not overloaded and the dryer is on a separate circuit. Call Sears or another qualified service dealer for replacement.
Dryer runs but won't heat.	There are 2 house fuses in the dryer circuit. If 1 of the 2 fuses is blown, the drum may turn but the heater will not operate (electric models).	Replace fuse.
	Gas supply valve is not open (gas models).	Check to make sure supply valve is open. See INSTALLATION INSTRUCTIONS for procedure.
	Dryer does not have enough air supply to support the burner flame (gas models).	See INSTALLATION INSTRUCTIONS .
	LP gas supply tank is empty or there has been a utility interruption of natural gas (gas models).	Refill or replace tank. Dryer should heat when utility service is restored.
Drying cycle takes too long, outside of the dryer feels too hot or smells hot.	Lint filter is clogged with lint.	Make sure all lint has been removed from the dryer lint filter before starting each cycle.
	Exhaust duct requirements have not been met.	Exhaust duct must be at least 4 inches in diameter and made of rigid or semi-rigid metal. When in place, the duct must have no more than four 90° bends and must not exceed length listed in INSTALLATION INSTRUCTIONS .
	Electric dryer is connected to a 208 volt circuit.	Drying time will be 20% longer than drying on a 240 volt circuit.
	Drying procedures have not been followed.	See "Operating Instructions."
	Outside exhaust hood or exhaust duct may be clogged or restricted.	Clean out any obstruction.
	High humidity.	Use a dehumidifier near the dryer.
	Drying cycle stops after only a few minutes, leaving load wet	Check Exhaust alerts have been overlooked and the dryer shuts down after a few minutes.
Excessive wrinkling.	Dryer is overloaded.	Do not overload. See "Operating Instructions."
	Items left in dryer too long.	Remove items as soon as cycle ends.
	Insufficient sorting of items.	See "Operating Instructions."
	Drying temperature too high.	Follow fabric care label instructions.
Scratching or chipping of the drum finish.	Foreign objects such as coins, pins, clips or buttons are inside the dryer.*	Always remove foreign objects from pockets before laundering. Remove objects from drum and restart dryer.
	Permanently attached items such as belt buckles, zippers and fasteners may be hitting the inside of the drum.*	It may be necessary to sew a scrap of material securely around ornaments before drying to prevent scratching and damage to the dryer.

*Drum damage caused by foreign objects or permanently attached items is not covered by the warranty.

Solutions to Common Problems

Avoid Service Checklist, continued

DISPLAYED IN LCD	POSSIBLE CAUSE	SOLUTION
Check Exhaust (Displayed during or at the end of a full cycle)	Check Exhaust feature has detected performance issues related to vent restriction.	Immediately inspect your venting system and make any repairs or perform any cleaning procedures necessary.
	Check Exhaust feature has detected performance issues from overloading dryer drum.	Reduce load in drum and restart.
Check Exhaust (Displayed at the end of a short, terminated cycle, leaving a wet load in the drum)	Check Exhaust alerts have been overlooked and the dryer shuts down after a few minutes.	Immediately inspect your venting system and make any repairs or perform any cleaning procedures necessary.
Service Cord	Incorrectly installed service cord on electric dryer.	Unplug dryer and refer to <i>Installation Instructions</i> for correct service cord wiring procedures.
Load too small	Load is too small to estimate correct dry time in Auto Dry cycle.	Dry items in a Timed Dry cycle.
No Gas	Gas is not detected at burner tube of gas dryer.	Inspect that gas line connection is still installed on dryer gas inlet, and fully open gas supply valve. If gas line is not yet installed, correctly install gas line connection according to <i>Installation Instructions</i> .
Call Service	Error detected can only be resolved by calling service technician.	Call 1-800-4-MY-HOME (1-800-469-4663) for assistance.

Notes

Free Manuals Download Website

<http://myh66.com>

<http://usermanuals.us>

<http://www.somanuals.com>

<http://www.4manuals.cc>

<http://www.manual-lib.com>

<http://www.404manual.com>

<http://www.luxmanual.com>

<http://aubethermostatmanual.com>

Golf course search by state

<http://golfingnear.com>

Email search by domain

<http://emailbydomain.com>

Auto manuals search

<http://auto.somanuals.com>

TV manuals search

<http://tv.somanuals.com>