



# **120-Volt Compact Electric Dryer**

Use & Care Guide

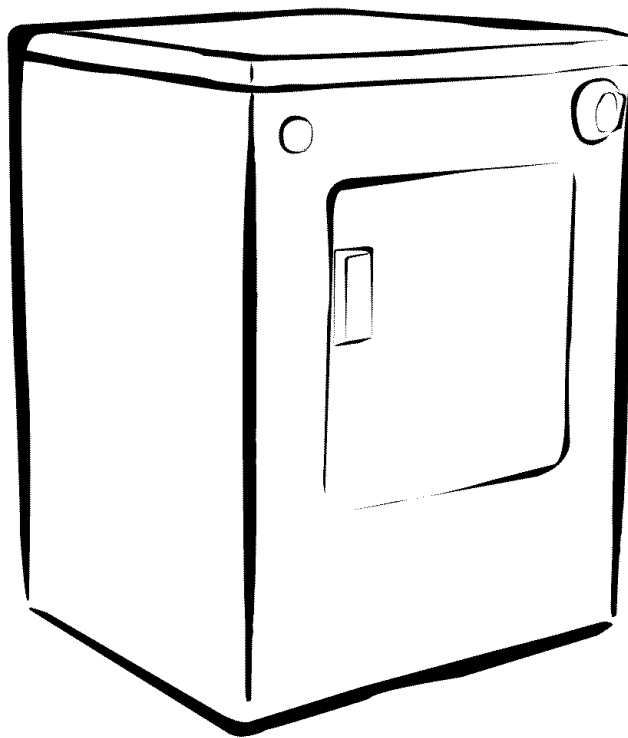
# **Secadora Compacta Eléctrica de 120 voltios**

Manual de uso y cuidado

# **Sécheuse électrique compacte 120 volts**

Guide d'utilisation et d'entretien

Model/Modelo/Modèle **110.84722**



**W10034900**

Sears Roebuck and Co., Hoffman Estates, IL 60179 U.S.A.  
Sears Canada Inc., Toronto, Ontario, Canada M5B 2B8

**www.sears.com**  
**www.sears.ca**

**ENGLISH | ESPAÑOL | FRANÇAIS**

---

# TABLE OF CONTENTS

<b>PROTECTION AGREEMENTS</b> .....	<b>2</b>
In the U.S.A.....	2
In Canada .....	3
<b>WARRANTY</b> .....	<b>3</b>
<b>DRYER SAFETY</b> .....	<b>4</b>
<b>INSTALLATION INSTRUCTIONS</b> .....	<b>5</b>
Tools and Parts .....	5
Location Requirements .....	5
Electrical Requirements.....	6
Venting Requirements .....	7
Plan Vent System .....	7
Install Vent System .....	8
Install Cord Bracket and Casters .....	9
Connect Vent.....	9
Complete Installation.....	9
<b>DRYER USE</b> .....	<b>10</b>
Starting Your Dryer.....	10
Stopping and Restarting .....	10
Loading.....	11
Drying, Cycle, and Temperature Tips .....	11
Cycles .....	11
<b>DRYER CARE</b> .....	<b>12</b>
Cleaning the Dryer Location.....	12
Cleaning the Lint Screen .....	12
Cleaning the Dryer Interior .....	12
Removing Accumulated Lint.....	12
Vacation and Moving Care.....	12
<b>TROUBLESHOOTING</b> .....	<b>13</b>
<b>SERVICE NUMBERS</b> .....	<b>BACK COVER</b>

---

# PROTECTION AGREEMENTS

---

In the U.S.A.

## Master Protection Agreements

Congratulations on making a smart purchase. Your new Kenmore® product is designed and manufactured for years of dependable operation. But like all products, it may require preventive maintenance or repair from time to time. That's when having a Master Protection Agreement can save you money and aggravation.

*Purchase a Master Protection Agreement now and protect yourself from unexpected hassle and expense.*

The Master Protection Agreement also helps extend the life of your new product. Here's what's included in the Agreement:

- ✓ **Expert service** by our 12,000 professional repair specialists
- ✓ **Unlimited service and no charge** for parts and labor on all covered repairs
- ✓ **"No-lemon" guarantee** – replacement of your covered product if four or more product failures occur within twelve months
- ✓ **Product replacement** if your covered product can't be fixed
- ✓ **Annual Preventive Maintenance Check** at your request – no extra charge
- ✓ **Fast help by phone** – phone support from a Sears technician on products requiring in-home repair, plus convenient repair scheduling
- ✓ **Power surge protection** against electrical damage due to power fluctuations
- ✓ **Rental reimbursement** if repair of your covered product takes longer than promised

Once you purchase the Agreement, a simple phone call is all that it takes for you to schedule service. You can call anytime day or night, or schedule a service appointment online.

Sears has over 12,000 professional repair specialists, who have access to over 4.5 million quality parts and accessories. That's the kind of professionalism you can count on to help prolong the life of your new purchase for years to come. Purchase your Master Protection Agreement today!

**Some limitations and exclusions apply. For prices and additional information, call 1-800-827-6655.**

## Sears Installation Service

For Sears professional installation of home appliances, garage door openers, water heaters, and other major home items, in the U.S.A. call **1-800-4-MY-HOME®**.

**Maintenance Agreements**

Your purchase has added value because you can depend on Sears HomeCentral® for service. With over 2,400 Service Technicians and more than a million parts and accessories, we have the tools, parts, knowledge and skills to back our pledge: We Service What We Sell.

Your Kenmore® product is designed, manufactured and tested to provide years of dependable operation. But like all products, it may require service from time to time.

The Sears Maintenance Agreement offers you an outstanding service program, affordably priced.

**The Sears Maintenance Agreement**

- Is your way to buy tomorrow's service at today's price
- Eliminates repair bills resulting from normal wear and tear
- Provides phone support from a Sears technician on products requiring in-home repair
- Even if you don't need repairs, provides an annual Preventive Maintenance Check, at your request, to ensure that your product is in proper running condition.

**Some limitations apply. For more information about Sears Canada Maintenance Agreements, call 1-800-361-6665.**

# KENMORE APPLIANCE WARRANTY

**ONE YEAR LIMITED WARRANTY**

When installed, operated and maintained according to all instructions supplied with the product, if this appliance fails due to a defect in material or workmanship within one year from the date of purchase, call 1-800-4-MY-HOME® to arrange for free repair.

If this appliance is used for other than private family purposes, this warranty applies for only 90 days from the date of purchase.

**THIS WARRANTY COVERS ONLY DEFECTS IN MATERIAL AND WORKMANSHIP. SEARS WILL NOT PAY FOR:**

1. Expendable items that can wear out from normal use, including but not limited to filters, belts, light bulbs, and bags.
2. A service technician to instruct the user in correct product installation, operation or maintenance.
3. A service technician to clean or maintain this product.
4. Damage to or failure of this product if it is not installed, operated or maintained according to all instructions supplied with the product.
5. Damage to or failure of this product resulting from accident, abuse, misuse or use for other than its intended purpose.
6. Damage to or failure of this product caused by the use of detergents, cleaners, chemicals or utensils other than those recommended in all instructions supplied with the product.
7. Damage to or failure of parts or systems resulting from unauthorized modifications made to this product.

**DISCLAIMER OF IMPLIED WARRANTIES; LIMITATION OF REMEDIES**

Customer's sole and exclusive remedy under this limited warranty shall be product repair as provided herein. Implied warranties, including warranties of merchantability or fitness for a particular purpose, are limited to one year or the shortest period allowed by law. Sears shall not be liable for incidental or consequential damages. Some states and provinces do not allow the exclusion or limitation of incidental or consequential damages, or limitations on the duration of implied warranties of merchantability or fitness, so these exclusions or limitations may not apply to you.

This warranty applies only while this appliance is used in the United States and Canada.

This warranty gives you specific legal rights, and you may also have other rights which vary from state to state.

**Sears, Roebuck and Co.**  
**Dept. 817WA, Hoffman Estates, IL 60179**  
**Sears Canada Inc.**  
**Toronto, Ontario, Canada M5B 2B8**

**PRODUCT RECORD**

In the space below, record your complete model number, serial number, and purchase date. You can find this information on the model and serial number label located on the product.

Have this information available to help you obtain assistance or service more quickly whenever you contact Sears concerning your appliance.

**Model number** \_\_\_\_\_

**Serial number** \_\_\_\_\_

**Purchase date** \_\_\_\_\_

**Save these instructions and your sales receipt for future reference.**

# DRYER SAFETY

## Your safety and the safety of others are very important.

We have provided many important safety messages in this manual and on your appliance. Always read and obey all safety messages.



This is the safety alert symbol.

This symbol alerts you to potential hazards that can kill or hurt you and others.

All safety messages will follow the safety alert symbol and either the word "DANGER" or "WARNING."

These words mean:

**⚠ DANGER**

You can be killed or seriously injured if you don't immediately follow instructions.

**⚠ WARNING**

You can be killed or seriously injured if you don't follow instructions.

All safety messages will tell you what the potential hazard is, tell you how to reduce the chance of injury, and tell you what can happen if the instructions are not followed.

## IMPORTANT SAFETY INSTRUCTIONS

**WARNING:** To reduce the risk of fire, electric shock, or injury to persons when using the dryer, follow basic precautions, including the following:

- Read all instructions before using the dryer.
- Do not place items exposed to cooking oils in your dryer. Items contaminated with cooking oils may contribute to a chemical reaction that could cause a load to catch fire.
- Do not dry articles that have been previously cleaned in, washed in, soaked in, or spotted with gasoline, dry-cleaning solvents, other flammable, or explosive substances as they give off vapors that could ignite or explode.
- Do not allow children to play on or in the dryer. Close supervision of children is necessary when the dryer is used near children.
- Before the dryer is removed from service or discarded, remove the door to the drying compartment.
- Do not reach into the dryer if the drum is moving.
- Do not install or store the dryer where it will be exposed to the weather.
- Do not tamper with controls.
- Do not repair or replace any part of the dryer or attempt any servicing unless specifically recommended in this Use and Care Guide or in published user-repair instructions that you understand and have the skills to carry out.
- Do not use fabric softeners or products to eliminate static unless recommended by the manufacturer of the fabric softener or product.
- Do not use heat to dry articles containing foam rubber or similarly textured rubber-like materials.
- Clean lint screen before or after each load.
- Keep area around the exhaust opening and adjacent surrounding areas free from the accumulation of lint, dust, and dirt.
- The interior of the dryer and exhaust vent should be cleaned periodically by qualified service personnel.
- See installation instructions for grounding requirements.

**SAVE THESE INSTRUCTIONS**

# INSTALLATION INSTRUCTIONS

## Tools and Parts

### Tools needed

Gather the required tools and parts before starting installation. Read and follow the safety instructions provided with any tools listed here.

- Flat-blade screwdriver
- Level
- Adjustable wrench
- Vent clamps
- Caulking gun and compound (for installing new exhaust vent)
- Tin snips (new vent installations)

### Parts supplied

Remove parts package from the dryer drum. Check that all parts listed are included.

- 1 - Cycle Control (timer) knob
- 1 - Push to Start button
- 4 - Casters
- 2 - Cord brackets
- 2 - Screws

### Parts needed

Check local codes, existing electrical supply and venting, and see "Venting Requirements" and "Electrical Requirements" before purchasing parts.

- Mobile home installations require metal exhaust system hardware
- Permanent installations require 4 dryer feet

The above are available for purchase from your local Sears store or Sears Service Center. For further information, please call **1-800-4-MY-HOME® (1-800-469-4663)**.

## Location Requirements

### ⚠ WARNING



#### Explosion Hazard

Keep flammable materials and vapors, such as gasoline, away from dryer.

Place dryer at least 18 inches (46 cm) above the floor for a garage installation.

Failure to do so can result in death, explosion, or fire.

### You will need

- A location that allows for proper exhaust installation. See "Venting Requirements."
- A 120-volt, 60-Hz., AC-only, 15- or 20-amp circuit.
- A grounded electrical outlet located within 2 ft (61 cm) of either side of the dryer. See "Electrical Requirements."

- A sturdy floor to support the dryer weight (dryer and load) of 115 lbs (52 kg). The combined weight of a companion appliance should also be considered.
- A level floor with a maximum slope of 1" (2.5 cm) under entire dryer.

Do not operate your dryer at temperatures below 45°F (7°C). At lower temperatures, the dryer might not shut off at the end of an automatic cycle. Drying times can be extended.

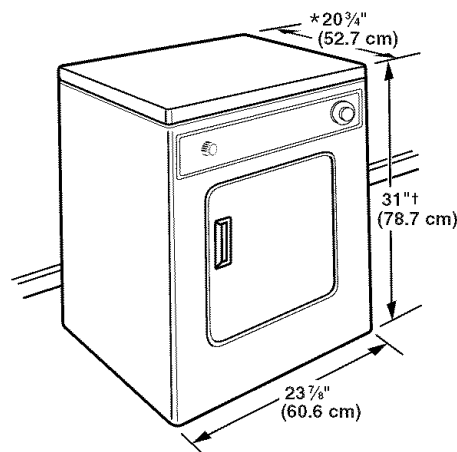
The dryer must not be installed or stored in an area where it will be exposed to water and/or weather.

Check code requirements. Some codes limit, or do not permit, installation of the dryer in garages, closets, mobile homes, or sleeping quarters. Contact your local building inspector.

### Installation Clearances

The location must be large enough to allow the dryer door to open fully.

### Dryer Dimensions



†Height with caster is 32½" (82.6 cm)

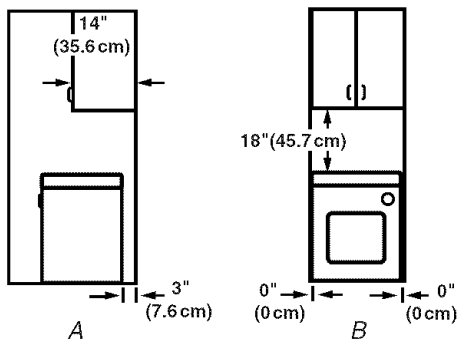
\*Most installations require a minimum 5½" (14.0 cm) clearance behind the dryer for the exhaust vent with elbows. See "Venting Requirements."

### Minimum installation spacing for recessed area and closet installation

The following dimensions shown are for the minimum spacing allowed when the unit is to be operated with, or without, the Stack Stand Kit. To purchase a Stack Stand Kit, please call **1-800-4-MY-HOME® (1-800-469-4663)**.

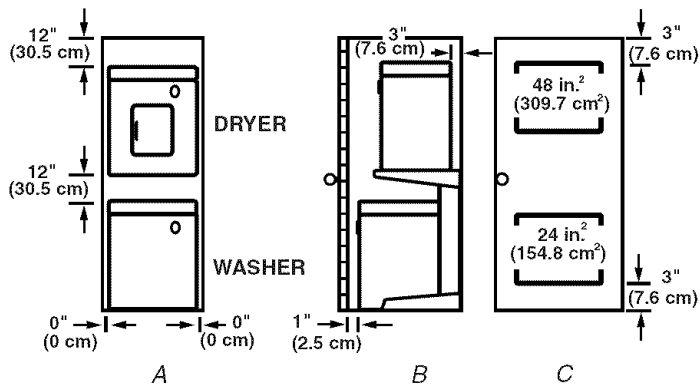
- Additional spacing should be considered for ease of installation and servicing.
- Additional clearances might be required for wall, door, and floor moldings.
- Additional spacing of 1" (2.5 cm) on all sides of the dryer is recommended to reduce noise transfer.
- For closet installation with a door, minimum ventilation openings in the top and bottom of the door are required. Louvered doors with equivalent ventilation openings are acceptable.
- Companion appliance spacing should also be considered.

## Recessed or closet installation - Dryer only



A. Side view - closet or confined area  
B. Recessed area

## Recessed or closet installation - Stacked



A. Recessed area  
B. Side view - closet or confined area  
C. Closet door with vents

## Mobile Home - Additional Location Requirements

This dryer is suitable for mobile home installations. The installation must conform to the Manufactured Home Construction and Safety Standard, Title 24 CFR, Part 3280 (formerly the Federal Standard for Mobile Home Construction and Safety, Title 245, HUD Part 280) or Standard CAN/CSA-Z240 MH.

### Mobile home installations require:

- Metal exhaust system hardware which is available for purchase from your local Sears store or Sears Service Center.
- Special provisions must be made in mobile homes to introduce outside air into the dryer. The opening (such as a nearby window) should be at least twice as large as the dryer exhaust opening.

## Electrical Requirements

### ⚠ WARNING



#### Electrical Shock Hazard

Plug into a grounded 3 prong outlet.

Do not remove ground prong.

Do not use an adapter.

Do not use an extension cord.

Failure to follow these instructions can result in death, fire, or electrical shock.

- A 120-volt, 60-Hz., AC-only, 15- or 20-amp fused electrical supply is required.
- A time-delay fuse or circuit breaker is recommended. Be sure fuse or circuit breaker matches the rating of your line.
- Use a separate circuit serving only your dryer.
- Do not use an extension cord.

### GROUNDING INSTRUCTIONS

- For a grounded, cord-connected dryer:  
This dryer must be grounded. In the event of malfunction or breakdown, grounding will reduce the risk of electric shock by providing a path of least resistance for electric current. This dryer is equipped with a cord having an equipment-grounding conductor and a grounding plug. The plug must be plugged into an appropriate outlet that is properly installed and grounded in accordance with all local codes and ordinances.

**WARNING:** Improper connection of the equipment-grounding conductor can result in a risk of electric shock. Check with a qualified electrician or service representative or personnel if you are in doubt as to whether the dryer is properly grounded. Do not modify the plug provided with the dryer: if it will not fit the outlet, have a proper outlet installed by a qualified electrician.

**SAVE THESE INSTRUCTIONS**

## Venting Requirements

### **⚠ WARNING**



#### Fire Hazard

Use a heavy metal vent.

Do not use a plastic vent.

Do not use a metal foil vent.

Failure to follow these instructions can result in death or fire.

**WARNING:** To reduce the risk of fire, this dryer MUST BE EXHAUSTED OUTDOORS.

4" (10.2 cm) heavy metal exhaust vent and clamps must be used. DURASAFE™ venting products are recommended and are available from your local Sears store or Sears Service Center. DURASAFE™ vent products can be purchased from your dealer. For further information, please call **1-800-4-MY-HOME®** (1-800-469-4663) or visit our Internet site at: [www.sears.com](http://www.sears.com) or [www.sears.ca](http://www.sears.ca).

- The dryer exhaust must not be connected into any gas vent, chimney, wall, ceiling, or a concealed space of a building.
- Do not use an exhaust hood with a magnetic latch.
- Do not install flexible metal vent in enclosed walls, ceilings or floors.
- Use clamps to seal all joints. Exhaust vent must not be connected or secured with screws or other fastening devices which extend into the interior of the duct. Do not use duct tape.

**IMPORTANT:** Observe all governing codes and ordinances.

#### Improper venting can cause moisture and lint to collect indoors, which may result in:

- Moisture damage to woodwork, furniture, paint, wallpaper, carpets, etc.
- Housecleaning problems and health problems.

Use a heavy metal vent. Do not use plastic or metal foil vent.

Rigid metal vent is recommended to prevent crushing and kinking.

Flexible metal vent must be fully extended and supported when the dryer is in its final position. Remove excess flexible metal vent to avoid sagging and kinking that may result in reduced airflow.

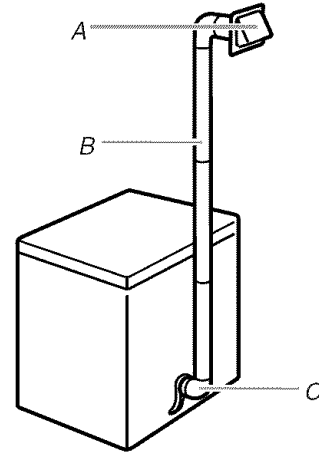
An exhaust hood should cap the vent to prevent rodents and insects from entering the home.

Exhaust hood must be at least 12" (30.5 cm) from the ground or any object that may be in the path of the exhaust (such as flowers, rocks or bushes, etc.).

If using an existing vent system, clean lint from the entire length of the system and make sure exhaust hood is not plugged with lint. Replace any plastic or metal foil vent with rigid metal or flexible metal vent.

## Plan Vent System

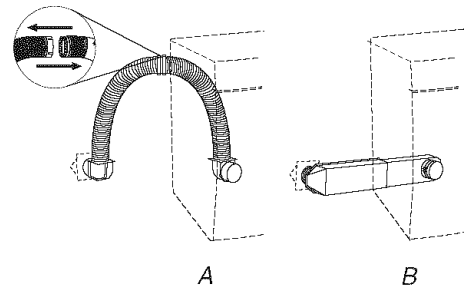
Typical installations vent the dryer from the rear of the dryer.



A. Exhaust hood  
B. Flexible metal vent or rigid metal vent  
C. Elbow

### Alternate installations for close clearances

Venting systems come in many varieties. Select the type best for your installation. Two close-clearance installations are shown. Refer to the manufacturer's instructions provided with the vent system.



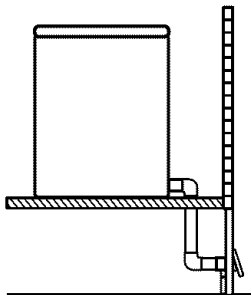
A. Over-The-Top installation (also available with one offset elbow)  
B. Periscope installation

**NOTE:** The following kits for close clearance alternate installations are available for purchase. For further information, please call **1-800-4-MY-HOME®** (1-800-469-4663).

- Over-The-Top Installation:  
Part Number 26-49900
- Periscope Installation (For use with dryer vent to wall vent mismatch):  
Part Number 26-49901 - Less than 5" (12.7 cm) mismatch  
Part Number 26-49908 - 5" (12.7 cm) to 18" (45.72 cm) mismatch  
Part Number 26-49904 - 18" (45.72 cm) to 29" (73.66 cm) mismatch  
Part Number 26-49905 - 29" (73.66 cm) to 50" (127 cm) mismatch

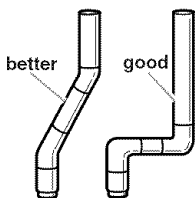
### Special provisions for mobile home installations

The exhaust vent must be securely fastened to a noncombustible portion of the mobile home structure and must not terminate beneath the mobile home. Terminate the exhaust vent outside.



### Determine vent length

1. Select the route that will provide the straightest and most direct path outdoors. Plan the installation to use the fewest number of elbows and turns. When using elbows or making turns, allow as much room as possible. Bend vent gradually to avoid kinking. Avoid 90° turns when possible.

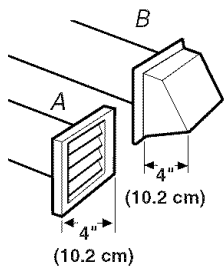


2. Determine vent length.

The maximum length of the exhaust system depends upon:

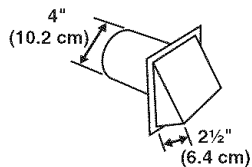
- The type of vent (rigid metal or flexible metal).
- The number of elbows used.
- Type of hood.

Recommended hood styles are shown here.



A. Louvered style  
B. Box hood style

The angled hood style (shown following) is acceptable.



See the exhaust vent length chart that matches your hood type for the maximum vent lengths you can use.

Exhaust systems longer than specified will:

- Shorten the life of the dryer.
- Reduce performance, resulting in longer drying times and increased energy usage.

3. Determine the number of elbows you will need.

**IMPORTANT:** Do not use vent runs longer than those specified in the Vent Length Chart.

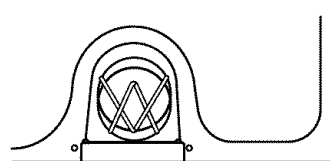
In the column listing the type of metal vent you are using (rigid metal or flexible metal), find the maximum length of metal vent on the same line as the number of elbows.

### Vent Length Chart

Number of 90° turns or elbows	Type of vent	Box or louvered hoods	Angled hoods
0	Rigid metal	36 ft (11 m)	26 ft (7.9 m)
	Flexible metal	28 ft (8.5 m)	22 ft (6.7 m)
1	Rigid metal	26 ft (7.9 m)	16 ft (4.9 m)
	Flexible metal	18 ft (5.5 m)	12 ft (3.7 m)
2	Rigid metal	16 ft (4.9 m)	6 ft (1.8 m)
	Flexible metal	8 ft (2.8 m)	2 ft (0.6 m)

### Install Vent System

1. Before installing the vent system, be sure to remove the wire exhaust guard that is located at the exhaust outlet.



2. Install exhaust hood. Use caulking compound to seal exterior wall opening around exhaust hood.
3. Connect vent to exhaust hood. Vent must fit inside exhaust hood. Secure vent to exhaust hood with 4" (10.2 cm) clamp.
4. Run vent to dryer location. Use the straightest path possible. See "Determine vent length." Avoid 90° turns. Use clamps to seal all joints. Do not use duct tape, screws or other fastening devices that extend into the interior of the vent to secure vent.



## Install Cord Bracket and Casters

Do not move dryer into its final position until the following steps have been performed.

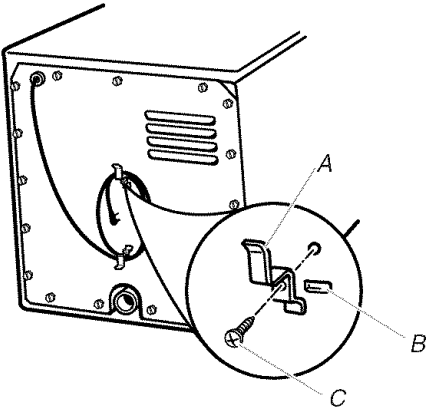
### **⚠ WARNING**

#### **Excessive Weight Hazard**

**Use two or more people to move and install dryer.  
Failure to do so can result in back or other injury.**

#### **Install cord bracket**

1. Remove tape from the power cord and the rear panel.
2. Insert cord brackets into slotted holes in rear panel and secure with screws provided.

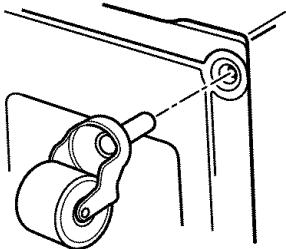


A. Cord bracket  
B. Slotted hole  
C. Screw

**NOTE:** Power supply cord may be wrapped around the brackets for storage convenience when dryer is not in use.

#### **Install casters**

1. Lay the dryer on its side.
2. Use the carton to prevent damage to the dryer.



3. Screw casters into dryer base at four corners and tighten securely.
4. Set the dryer upright. In doing so, be careful that the dryer does not roll away from you.

**NOTE:** Permanent installations require 4 dryer feet. For ordering information please see the back cover of this manual.

## Connect Vent

1. Using a 4" (10.2 cm) clamp, connect vent to exhaust outlet in dryer. If connecting to existing vent, make sure the vent is clean. The dryer vent must fit over the dryer exhaust outlet and inside the exhaust hood. Make sure the vent is secured to exhaust hood with a 4" (10.2 cm) clamp.
2. Move dryer into final position. Do not crush or kink vent. Make sure dryer is level.
3. (On gas models) Check to be sure there are no kinks in the flexible gas line.

## Complete Installation

1. Check to be sure all parts are now installed. If there is an extra part, go back through the steps to see which step was skipped.
2. Check to be sure you have all of your tools.
3. Dispose of/recycle all packaging materials.
4. Check the dryer's final location. Be sure the vent is not crushed or kinked.
5. Check to be sure the dryer is on a level surface.
6. Plug into a grounded 3 prong outlet. Turn power on.
7. Remove the blue protective film on the console and any tape remaining on the dryer. Remove tape from the lint screen (located on inside back wall of dryer).
8. Read "Dryer Use."
9. Wipe the dryer drum interior thoroughly with a damp cloth to remove any dust.
10. To test the dryer, set the dryer on a full heat cycle (not an air cycle) for 20 minutes and start the dryer.

#### **If the dryer will not start, check the following:**

- Controls are set in a running or "On" position.
- Push to Start button has been firmly pressed.
- Dryer is plugged into a grounded 3 prong outlet.
- Electrical supply is connected.
- House fuse is intact and tight, or circuit breaker has not tripped.
- Dryer door is closed.

11. When the dryer has been running for 5 minutes, open the dryer door and feel for heat.

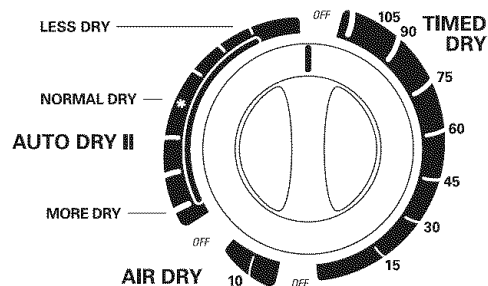
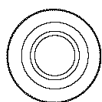
#### **If you do not feel heat, check the following:**

- Controls are set on a heated cycle, not an air cycle.

**NOTE:** You may notice a burning odor when dryer is first heated. This odor is common when the heating element is first used. The odor will go away.

# DRYER USE

PUSH TO START



## Starting Your Dryer

### ⚠ WARNING



#### Explosion Hazard

Keep flammable materials and vapors, such as gasoline, away from dryer.

Do not dry anything that has ever had anything flammable on it (even after washing).

Failure to follow these instructions can result in death, explosion, or fire.

### ⚠ WARNING



#### Fire Hazard

No washer can completely remove oil.

Do not dry anything that has ever had any type of oil on it (including cooking oils).

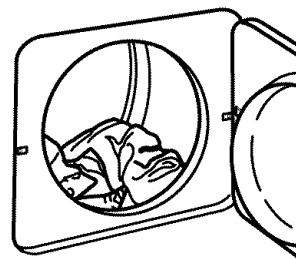
Items containing foam, rubber, or plastic must be dried on a clothesline or by using an Air Cycle.

Failure to follow these instructions can result in death or fire.

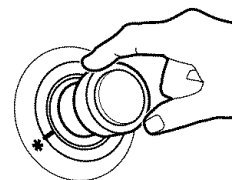
**WARNING:** To reduce the risk of fire, electric shock, or injury to persons, read the IMPORTANT SAFETY INSTRUCTIONS before operating this appliance.

Before using your dryer, wipe the dryer drum with a damp cloth to remove dust from storing and shipping.

1. Clean lint screen before or after each cycle. See "Cleaning the Lint Screen."
2. Load clothes loosely into the dryer and close the door. Do not pack the dryer. Allow space for clothes to tumble freely. See "Loading."



3. Turn the Cycle Control knob to the recommended cycle for the type of load being dried. See "Drying, Cycle, and Temperature Tips."



4. Press the PUSH TO START button.

## Stopping and Restarting

You can stop your dryer any time during a cycle.

### To stop your dryer

Open the dryer door or turn the Cycle Control knob to OFF.

**NOTE:** The Cycle Control knob should point to an Off area when the dryer is not in use.

### To restart your dryer

1. Close the door.
2. Select a new cycle and temperature (if desired).
3. Press the PUSH TO START button.

## Loading

Load clothes loosely into the dryer. Do not pack the dryer. Allow space for clothes to tumble freely. The following chart shows the maximum load you can place in your compact dryer. Expect longer drying times.

<b>Heavy work clothes</b>	2 pair of pants, 3 work shirts
<b>Delicates</b>	1 camisole, 2 slips, 4 undergarments, 1 set of sleepwear, 1 half slip
<b>Towels</b>	9 bath towels; or 6 bath towels, 3 hand towels, 6 washcloths
<b>Mixed Load</b>	2 pillowcases, 1 T-shirt, 2 shirts, 1 pair slacks
<b>Knits</b>	2 slacks, 2 shirts; or 3 dresses
<b>Perm. Press</b>	6 shirts; or 2 double sheets & 2 pillowcases; or 2 single sheets & 2 pillowcases

## Drying, Cycle, and Temperature Tips

Select the correct cycle for your load.

Your dryer tumbles the load without heat during the last few minutes of all cycles to make the load easier to handle.

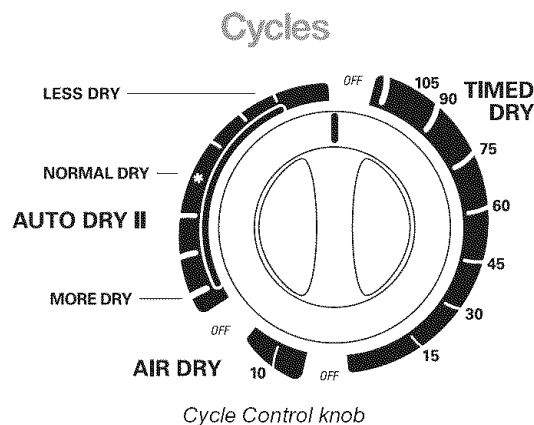
### Drying tips

- Follow care label directions when they are available.
- If desired, add a fabric softener sheet. Follow package instructions.
- Remove the load from the dryer as soon as tumbling stops to reduce wrinkling. This is especially important for permanent press, knits, and synthetic fabrics.

### Cycle and temperature tips

- Dry most loads using the Normal Dry setting (\*).
- Use a no heat (air) setting for rubber, plastic, or heat-sensitive fabrics.
- Line dry bonded or laminated fabrics.

**NOTE:** If you have questions about drying temperatures for various loads, refer to the care label directions.



### Auto Dry II

Use this cycle to dry most loads. Dryness is determined by thermostats that react to the amount of moisture in the air exhausted from the dryer. Moist air indicates clothes are damp. Dry air indicates that moisture has been removed.

This cycle includes a 10 minute (approximately) cool down period at the end of the cycle to make clothes easier to handle and reduce wrinkling.

Dry most loads using the Normal Dry (\*) setting. When the cycle ends, check the dryness of the load.

- If the load is drier than you like, select a setting closer to LESS DRY the next time you dry a similar load.
- If the load is not as dry as you like, complete drying using the Timed Dry cycle. The next time you dry a similar load, select a setting closer to MORE DRY.

**NOTE:** Drying time with an automatic cycle varies according to the type of fabric, size of load, and temperature setting. See "Drying, Cycle and Temperature Tips."

### Timed Dry

Use this cycle to complete drying if items are still damp after the Auto Dry II cycle. Timed Dry is also useful for heavyweight and bulky items, such as bedspreads, work clothes, and large loads that require a long drying time. Use this cycle to get up to 105 minutes of heated drying time. The heating cycle is followed by a 10 minute (approximately) cool down period.

### Air Dry

Use the Air Dry cycle for items that require drying without heat such as rubber, plastic and heat-sensitive fabrics. This chart shows examples of items that can be dried using an air cycle.

Type of Load	Minutes*
Foam rubber—pillows, padded bras, stuffed toys	20 - 30
Plastic—shower curtains, tablecloths	20 - 30
Rubber-backed rugs	40 - 50
Olefin, polypropylene, sheer nylon	10 - 20

\*Reset time as needed to allow items to dry completely.

### When using Air Dry

- Check to see that coverings are securely stitched.
- Shake and fluff pillows by hand periodically during the cycle.
- Dry item completely. Foam rubber pillows are slow to dry.

### End of Cycle Signal

Your dryer sounds a signal when a drying cycle is finished. This signal is helpful when you are drying items that need to be removed as soon as the dryer stops in order to prevent wrinkles.

# DRYER CARE

## Cleaning the Dryer Location

Keep dryer area clear and free from items that would obstruct the flow of combustion and ventilation air.

### ⚠ WARNING



#### Explosion Hazard

Keep flammable materials and vapors, such as gasoline, away from dryer.

Place dryer at least 18 inches (46 cm) above the floor for a garage installation.

Failure to do so can result in death, explosion, or fire.

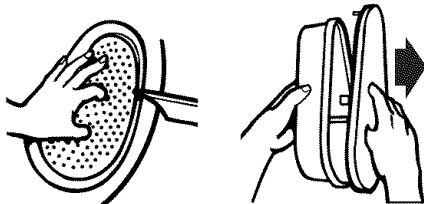
## Cleaning the Lint Screen

### Every load cleaning

The lint screen is located inside the dryer drum, on the back wall. Clean it before each load. A screen blocked by lint can increase drying time.

#### To clean

1. Open the door and pull the lint screen straight out.



2. Squeeze body of lint screen lightly while pulling off the cover.
3. Roll lint off the screen with your fingers. Do not rinse or wash screen to remove lint. Wet lint is hard to remove.
4. Replace cover on lint screen body. Push the lint screen firmly back into place and close the door.

#### IMPORTANT:

- Do not run the dryer with the lint screen loose, damaged, blocked, or missing. Doing so can cause overheating and damage to both the dryer and fabrics.
- Some towels made of synthetic fibers and natural fibers (polyester and cotton blends) may shed more lint than other towels, causing your dryer's lint screen to fill up faster. Be sure to remove lint from the lint screen before and after drying new towels.

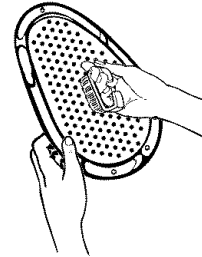
### As needed cleaning

Laundry detergent and fabric softener residue can build up on the lint screen. This buildup can cause longer drying times for your clothes, or cause the dryer to stop before your load is completely dry. The screen is probably clogged if lint falls off the screen.

Clean the lint screen with a nylon brush every 6 months, or more frequently if it becomes clogged due to a residue buildup.

#### To wash

1. Roll lint off the screen with your fingers.
2. Wet both the lint screen cover and body with hot water.
3. Wet a nylon brush with hot water and liquid detergent. Scrub lint screen cover and body with the brush to remove residue buildup.



4. Rinse with hot water.
5. Thoroughly dry lint screen body and cover with a clean towel. Replace in dryer.

## Cleaning the Dryer Interior

### To clean dryer drum

1. Make a paste with powdered laundry detergent and very warm water.
2. Apply paste to a soft cloth.  
**OR**  
Apply a liquid, nonflammable household cleaner to the stained area and rub with a soft cloth until all excess dye is removed.
3. Wipe drum thoroughly with a damp cloth.
4. Tumble a load of clean cloths or towels to dry drum.

**NOTE:** Garments which contain unstable dyes, such as denim blue jeans or brightly colored cotton items, may discolor the dryer interior. These stains are not harmful to your dryer and will not stain future loads of clothes. Dry unstable dye items inside-out to prevent dye transfer.

## Removing Accumulated Lint

### From Inside the Dryer Cabinet

Lint should be removed every 2 years, or more often, depending on dryer usage. Cleaning should be done by a qualified person.

### From the Exhaust Vent

Lint should be removed every 2 years, or more often, depending on dryer usage.

## Vacation and Moving Care

### Vacation care

Operate your dryer only when you are at home. If you will be on vacation or not using your dryer for an extended period of time, you should:

1. Unplug dryer or disconnect power.
2. Wash lint screen. See "Cleaning the Lint Screen."

### Moving care

1. Unplug the power supply cord.
2. Make sure leveling legs are secure in dryer base.
3. Use masking tape to secure dryer door.

---

# TROUBLESHOOTING

---

First try the solutions suggested here and possibly avoid the cost of a service call...

---

## Clothes are not drying satisfactorily

---

- **The compact dryer operates at a lower wattage. Expect longer drying times.**
- **Check the following:**
  - Is the wire exhaust guard removed from the back of the dryer?
  - Is the lint screen clogged with lint?
  - Is the exhaust vent or outside exhaust hood clogged with lint, restricting air movement? Run the dryer for 5-10 minutes. Hold your hand under the outside exhaust hood to check air movement. If you do not feel air movement, clean exhaust system of lint or replace exhaust vent with heavy metal or flexible metal vent. See "Installation Instructions."
  - Is the exhaust vent crushed or kinked? Replace with heavy metal or flexible metal vent. See "Installation Instructions."
  - Has an air dry cycle been selected? Select the right cycle for the types of garments being dried. See "Drying, Cycle, and Temperature Tips."
  - Are fabric softener sheets blocking the grille? Use only one fabric softener sheet and use it only once.
  - Is the automatic cycle ending early? This cycle will end early if dryer load is not contacting the sensor strips. Level the dryer. See "Installation Instructions."
- **Is the dryer located in a room with temperature below 45°F (7°C)?**

Proper operation of dryer cycles requires temperatures above 45°F (7°C).
- **Was a cold rinse water used? Was the load very wet?**

Expect longer drying times with items rinsed in cold water and with items that hold moisture (cottons).
- **Is the load too large and heavy to dry quickly?**

Separate the load to tumble freely.

---

## Dryer will not run

---

- **Check the following:**
  - Is the power cord plugged into a grounded 3 prong outlet?
  - Has a fuse blown, or has a circuit breaker tripped?
  - Was a regular fuse used? Use a time-delay fuse.
  - Is the dryer door firmly closed?
  - Was the PUSH TO START button firmly pressed?
  - Is a cycle selected?

---

## Unusual sounds

---

- **Has the dryer had a period of non-use?**

If the dryer hasn't been used for a while, there may be a thumping sound during the first few minutes of operation.

---

## Lint on load

---

- **Is the lint screen clogged?**

Clean lint screen. Check for air movement.
- **Is the load properly sorted?**

Sort lint givers (towels, chenille) from lint takers (corduroy, synthetics). Also sort by color.

- **Is the load too big or too heavy?**

Dry smaller loads so lint can be carried to the lint screen.
- **Was the load overdried?**

Use correct dryer settings for load type. Overdrying can cause lint-attracting static electricity. See "Drying, Cycle, and Temperature Tips."
- **Was paper or tissue left in pockets?**
- **Is pilling being mistaken for lint?**

Pilling (surface fuzz) is caused by normal wear and laundering.

---

## Stains on load or color change

---

- **Was dryer fabric softener properly used?**

Add dryer fabric softener sheets at the beginning of the cycle. Fabric softener sheets added to a partially dried load can stain your garments.
- **Were items soiled when placed in the dryer?**

Items should be clean before being dried.
- **Were items properly sorted?**

Sort light colors from dark colors. Sort colorfast items from noncolorfast items.

---

## Items shrinking

---

- **Was the dryer overloaded?**

Dry smaller loads that can tumble freely.
- **Did the load overdry?**

Check the manufacturer's care label. Match dryer setting to load type. See "Drying, Cycle, and Temperature Tips."

---

## Loads are wrinkled

---

- **Was the load removed from dryer at the end of the cycle?**
- **Was the dryer overloaded?**

Dry smaller loads that can tumble freely.
- **Did the load overdry?**

Check the manufacturer's care label. Match dryer setting to load type. See "Drying, Cycle, and Temperature Tips."

---

## Odors

---

- **Have you recently been painting, staining, or varnishing in the area where your dryer is located?**

If so, ventilate the area. When the odors or fumes are gone from the area, rewash and dry the clothing.
- **Is the dryer being used for the first time?**

The new electric heating element may have an odor. The odor will be gone after the first cycle.

---

## Garment damage

---

- **Check the following:**
  - Were zippers, snaps, and hooks left open?
  - Were strings and sashes tied to prevent tangling?
  - Were care label instructions followed?
  - Were items damaged before drying?

# ÍNDICE

CONTRATOS DE PROTECCIÓN.....	14
GARANTÍA.....	15
SEGURIDAD DE LA SECADORA.....	15
INSTRUCCIONES DE INSTALACIÓN.....	16
Herramientas y piezas.....	16
Requisitos de ubicación.....	17
Requisitos eléctricos.....	18
Requisitos de ventilación.....	18
Planificación del sistema de ventilación.....	19
Instalación del sistema de ventilación.....	20
Instale el soporte del cable y las ruedecillas.....	21
Conexión del ducto de escape.....	21
Complete la instalación.....	21
USO DE LA SECADORA.....	22
Puesta en marcha de su secadora.....	22
Para detener y volver a poner en marcha.....	22
Cómo cargar la secadora.....	23
Consejos de secado, ciclos y temperatura.....	23
Ciclos.....	23
CUIDADO DE LA SECADORA.....	24
Limpieza del lugar donde está la secadora.....	24
Limpieza del filtro de pelusa.....	24
Limpieza del interior de la secadora.....	25
Eliminación de pelusa acumulada.....	25
Cuidado para las vacaciones y la mudanza.....	25
SOLUCIÓN DE PROBLEMAS.....	25
NÚMEROS DE SERVICIO.....	CONTRAPORTADA

# CONTRATOS DE PROTECCIÓN

## Contratos Maestros de Protección

¡Felicitaciones por su inteligente adquisición! Su nuevo producto Kenmore® ha sido diseñado y fabricado para brindarle años de funcionamiento confiable. Pero al igual que todos los productos, puede necesitar mantenimiento preventivo o reparación de vez en cuando. Es allí donde el Contrato Maestro de Protección puede ahorrarle dinero e inconvenientes.

*Adquiera un Contrato Maestro de Protección hoy y protéjase contra molestias y gastos inesperados.*

El Contrato Maestro de Protección también ayuda a prolongar la vida de su nuevo producto. He aquí lo que se incluye en el Contrato:

- ✓ **Servicio experto** por nuestros 12.000 especialistas en reparación competentes
- ✓ **Servicio ilimitado y gratuito** para repuestos y mano de obra en todas las reparaciones protegidas por el contrato
- ✓ **Garantía "sin disgustos"** - reemplazo de su producto protegido si ocurren cuatro o más fallas del producto en el transcurso de doce meses
- ✓ **Reemplazo del producto** si su producto protegido no puede ser reparado
- ✓ **Revisión Anual de Mantenimiento Preventivo** a solicitud suya - sin costo adicional
- ✓ **Ayuda rápida por teléfono** - asistencia por teléfono a cargo de un técnico de Sears para productos que deban ser reparados en su hogar, además de un horario de reparación conveniente
- ✓ **Protección de sobrevoltaje** contra daños eléctricos debido a fluctuaciones de electricidad
- ✓ **Reembolso de la renta** si la reparación de su producto protegido tarda más de lo prometido

Una vez adquirido el Contrato, tan sólo tiene que llamar para fijar la visita de servicio técnico. Usted puede llamar a cualquier hora, de día o de noche, o fijar una visita técnica en internet.

Sears cuenta con un equipo de más de 12.000 especialistas en reparación competentes, quienes tienen a disposición más de 4,5 millones de repuestos y accesorios de calidad. Ése es el tipo de profesionalismo con el que usted puede contar para ayudarlo a prolongar la vida de su nuevo artefacto por muchos años más. ¡Adquiera hoy su Contrato Maestro de Protección!

**Se aplican algunas limitaciones y exclusiones. Para obtener precios e información adicional, llame al 1-800-827-6655.**

## Servicio de Instalación de Sears

Para la instalación profesional de Sears de artefactos electrodomésticos, abridores de puertas de garaje, calentadores de agua y otros artículos importantes de la casa, en los EE.UU. llame al **1-800-4-MY-HOME®**.

# GARANTÍA DE LOS ELECTRODOMÉSTICOS KENMORE

## GARANTÍA LIMITADA DE UN AÑO

Cuando este electrodoméstico haya sido instalado, operado y mantenido según las instrucciones provistas con el producto, si este electrodoméstico falla por defectos de material o de mano de obra dentro de un año a partir de la fecha de compra, llame al 1-800-4-MY-HOME® para gestionar la reparación libre de cargo.

Si este electrodoméstico es empleado para algún otro uso que no sea el doméstico familiar, esta garantía sólo tiene vigencia por 90 días a partir de la fecha de compra.

## ESTA GARANTÍA CUBRE SOLAMENTE LOS DEFECTOS DE MATERIAL Y MANO DE OBRA. SEARS NO PAGARÁ POR LO SIGUIENTE:

1. Los artículos no reutilizables que pueden gastarse por el uso normal, incluyendo, pero sin limitación, filtros, correas, focos y bolsas.
2. Un técnico de servicio para enseñarle al usuario cómo instalar, operar o mantener el producto adecuadamente.
3. Un técnico de servicio para limpiar o mantener este producto.
4. Daños a este producto o fallas del mismo en caso de no ser instalado, operado o mantenido conforme a todas las instrucciones provistas con el producto.
5. Daños a este producto o fallas del mismo como resultado de accidente, abuso, uso indebido o un uso diferente de aquel para el cual fue creado.
6. Daños a este producto o fallas del mismo causados por el uso de detergentes, limpiadores, productos químicos o utensilios diferentes de los recomendados en todas las instrucciones provistas con el producto.
7. Daños a piezas o sistemas o fallas de los mismos como resultado de modificaciones no autorizadas que se hayan efectuado en este producto.

## EXCLUSIÓN DE GARANTÍAS IMPLÍCITAS; LIMITACIÓN DE RECURSOS

El único y exclusivo recurso del cliente según los términos de esta garantía limitada será el de reparar el producto según se estipula en la presente. Las garantías implícitas, incluyendo las garantías de comerciabilidad o de capacidad para un propósito particular, serán limitadas a un año o al período más corto permitido por ley. Sears no se hará responsable por daños incidentales o consecuentes. Algunos estados y provincias no permiten la exclusión o limitación de daños incidentales o consecuentes, o limitaciones acerca de cuánto debe durar una garantía implícita de comerciabilidad o capacidad, de modo que las limitaciones o exclusiones arriba mencionadas pueden no aplicarse en su caso.

Esta garantía se aplica sólo mientras este electrodoméstico se usa en los Estados Unidos y Canadá.

Esta garantía le otorga derechos legales específicos, y es posible que usted tenga también otros derechos, los cuales varían de un estado a otro.

**Sears, Roebuck and Co.**  
**Dept. 817WA, Hoffman Estates, IL 60179**  
**Sears Canada Inc.**  
**Toronto, Ontario, Canada M5B 2B8**

## REGISTRO DEL PRODUCTO

En el espacio a continuación, anote el número completo de modelo y serie así como la fecha de compra. Usted puede encontrar esta información en la etiqueta con el número de modelo y de serie ubicada en el producto.

Tenga esta información disponible para facilitarle la obtención de asistencia o servicio con prontitud siempre que llame a Sears con respecto a su electrodoméstico.

Número de modelo \_\_\_\_\_

Número de serie \_\_\_\_\_

Fecha de compra \_\_\_\_\_

**Guarde estas instrucciones y su comprobante de compra para referencia futura.**

# SEGURIDAD DE LA SECADORA

## Su seguridad y la seguridad de los demás es muy importante.

Hemos incluido muchos mensajes importantes de seguridad en este manual y en su electrodoméstico. Lea y obedezca siempre todos los mensajes de seguridad.



Este es el símbolo de advertencia de seguridad.

Este símbolo le llama la atención sobre peligros potenciales que pueden ocasionar la muerte o una lesión a usted y a los demás.

Todos los mensajes de seguridad irán a continuación del símbolo de advertencia de seguridad y de la palabra "PELIGRO" o "ADVERTENCIA". Estas palabras significan:

**⚠ PELIGRO**

Si no sigue las instrucciones **de inmediato**, usted puede morir o sufrir una lesión grave.

**⚠ ADVERTENCIA**

Si no sigue las instrucciones, usted puede morir o sufrir una lesión grave.

Todos los mensajes de seguridad le dirán el peligro potencial, le dirán cómo reducir las posibilidades de sufrir una lesión y lo que puede suceder si no se siguen las instrucciones.

## INSTRUCCIONES IMPORTANTES DE SEGURIDAD

**ADVERTENCIA:** A fin de reducir el riesgo de incendio, descarga eléctrica o de daño a las personas que usen la secadora, deben seguirse las precauciones básicas, incluidas las siguientes:

- Lea todas las instrucciones antes de usar la secadora.
- No coloque los objetos expuestos a aceite para cocinar en su secadora. Los objetos expuestos a aceites para cocinar pueden contribuir a una reacción química que podría causar que una carga se inflame.
- No seque artículos que ya se hayan limpiado, lavado, remojado o manchado con gasolina, disolventes de limpieza en seco, u otras sustancias inflamables o explosivas ya que despiden vapores que pueden encenderse o causar una explosión.
- No permita que jueguen los niños sobre o dentro de la secadora. Es necesaria la cuidadosa vigilancia de los niños toda vez que se use la secadora cerca de ellos.
- Quite la puerta de la secadora al compartimiento de secado antes de ponerla fuera de funcionamiento o de descartarla.
- No introduzca las manos en la secadora cuando el tambor está en movimiento.
- No instale o almacene esta secadora donde estará expuesta a agua o a la intemperie.
- No trate de forzar los controles.
- No repare o reemplace ninguna pieza de la secadora ni trate de repararla a menos que esto se recomiende específicamente en el Manual del propietario o en instrucciones de reparación publicadas para el usuario que usted comprenda y sólo si cuenta con la experiencia necesaria para llevar a cabo dicha reparación.
- No utilice suavizadores de tejidos o productos para eliminar el estático de prendas a menos que lo recomiende el fabricante del suavizador de tejidos o las instrucciones del producto en uso.
- No utilice calor para secar prendas que contengan espuma de caucho o materiales de caucho con textura similar.
- Limpie el filtro de pelusa antes o después de cada carga de ropa.
- Mantenga el área alrededor de la apertura de ventilación y las áreas adyacentes a esta apertura sin pelusa, polvo o tierra.
- La parte interior de la secadora y el ducto de escape se deben limpiar periódicamente. Esta limpieza la debe llevar a cabo un reparador calificado.
- Vea la instrucciones de instalación para los requisitos de conexión a tierra.

GUARDE ESTAS INSTRUCCIONES

## INSTRUCCIONES DE INSTALACIÓN

### Herramientas y piezas

#### Herramientas para adquirir

Reúna las herramientas y piezas necesarias antes de comenzar la instalación. Lea y siga las instrucciones provistas con cualquiera de las herramientas enlistadas aquí.

- Destornillador de hoja plana
- Nivel
- Llave de tuercas ajustable
- Abrazaderas para ducto
- Pistola y masilla para calafateo (para instalar el nuevo ducto de escape)
- Tijeras de lata (instalaciones del nuevo ducto de escape)

#### Piezas suministradas

Retire el paquete de piezas del tambor de la secadora. Verifique que estén todas las piezas.

- 1 - perilla de control de ciclos (temporizador)
- 1 - botón de oprimir para poner en marcha
- 4 - ruedecillas
- 2 - soportes para el cable eléctrico
- 2 - tornillos

#### Piezas para adquirir

Verifique los códigos locales; verifique el suministro eléctrico y la ventilación y vea "Requisitos de ventilación" y "Requisitos eléctricos" antes de comprar las piezas.

- Las instalaciones en casas rodantes requieren herramientas para el sistema de ventilación de metal.
- Las instalaciones permanentes requieren 4 patas para secadora.

Los juegos mencionados arriba se encuentran disponibles en su tienda de Sears o en un Centro de servicio Sears de su localidad. Para obtener más información, sírvase llamar al **1-800-4-MY-HOME® (1-800-469-4663)**.



## Requisitos de ubicación

### ⚠ ADVERTENCIA



#### Peligro de Explosión

Mantenga los materiales y vapores inflamables, como la gasolina, lejos de la secadora.

Coloque la secadora a un mínimo de 46 cm sobre el piso para la instalación en un garaje.

No seguir estas instrucciones puede ocasionar la muerte, explosión o incendio.

#### Usted necesitará

- Una ubicación que permita una instalación adecuada del ducto de escape. Vea "Requisitos de ventilación".
- Un circuito de 120 voltios, 60 hertzios, CA solamente, de 15 ó 20 amperios.
- Un contacto con conexión a tierra ubicado a no más de 2 pies (61 cm) de cualquiera de los lados de la secadora. Vea "Requisitos eléctricos".
- Un piso resistente que sostenga el peso de la secadora (la secadora y la carga) de 115 lbs (52 kg). Asimismo se debe considerar el peso combinado con otro artefacto que la acompañe.
- Un piso nivelado con un declive máximo de 1" (2,5 cm) debajo de la secadora completa.

No ponga a funcionar su secadora en un lugar cuyas temperaturas sean inferiores a 45°F (7°C). A temperaturas inferiores, es posible que la secadora no se apague al final de un ciclo automático. Los tiempos de secado pueden prolongarse.

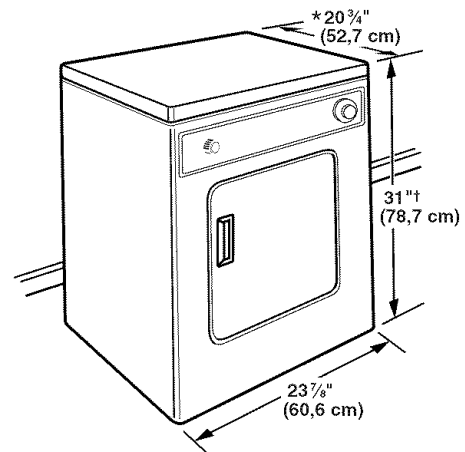
No debe instalarse ni guardarse la secadora en un área en donde pueda estar expuesta al agua y/o a la intemperie.

Verifique los requisitos de los códigos. Algunos códigos limitan, o no permiten, la instalación de la secadora en garajes, clósets, casas rodantes o en dormitorios. Póngase en contacto con el inspector de construcciones de su localidad.

#### Espacios libres para la instalación

El lugar debe ser lo suficientemente grande para permitir que la puerta de la secadora se abra completamente.

## Dimensiones de la secadora



†La altura con las ruedecillas es de 32 1/2" (82,6 cm)

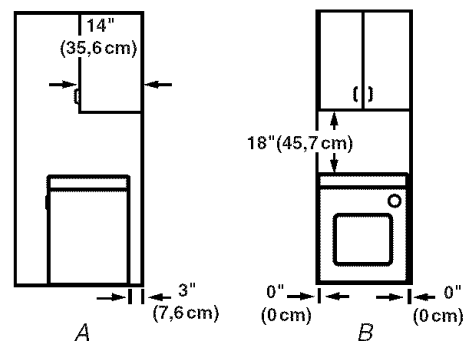
\* La mayoría de las instalaciones requieren un espacio libre mínimo de 5 1/2" (14,0 cm) detrás de la secadora para acomodar el ducto de escape con codo. Vea "Requisitos de ventilación".

#### Espacio de instalación mínimo para la instalación en un lugar empotrado o en un clóset

Las siguientes dimensiones ilustradas son para el espacio mínimo permitido cuando la secadora funcione con o sin el Juego de Pedestales para Apilar (Stack Stand Kit). Para comprar un Juego de Pedestales para Apilar, llame por favor al **1-800-4 MY-HOME® (1-800-469-4663)**.

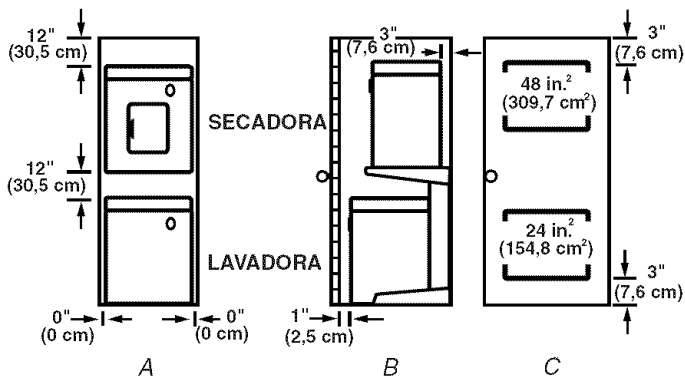
- Debe considerarse el espacio adicional para facilitar la instalación y el servicio técnico.
- Se podrían necesitar espacios libres adicionales para las molduras de la pared, de la puerta y del piso.
- Se recomienda un espacio adicional de 1" (2,5 cm) en todos los lados de la secadora para reducir la transferencia de ruido.
- Para la instalación en clóset, con una puerta, se requieren aberturas de ventilación mínimas en la parte superior e inferior de la puerta. Se aceptan puertas tipo persianas con aberturas de ventilación equivalentes.
- También se debe considerar espacio adicional para otro electrodoméstico que le acompañe.

#### Instalación en un clóset o lugar empotrado - Solamente secadora



A. Vista lateral - clóset o lugar confinado  
B. Lugar empotrado

## Instalación en un clóset o lugar empotrado - Apiladas



A. Lugar empotrado  
B. Vista lateral - clóset o lugar confinado  
C. Puerta de clóset con orificios de ventilación

## Requisitos de instalación adicionales para las casas rodantes

Esta secadora es apropiada para instalaciones en casas rodantes. La instalación debe ajustarse al Estándar de seguridad y construcción de casas fabricadas, Título 24 CFR, Parte 3280 (anteriormente conocido como Estándar federal para la seguridad y construcción de casas rodantes, Título 245, HUD Parte 280) o al Estándar CAN/CSA-Z240 MH.

### Las instalaciones en casas rodantes necesitan:

- Artículos de ferretería para sistemas de ventilación de metal que se pueden comprar en su tienda Sears o en el centro de servicio técnico Sears de su localidad.
- Se deben tomar medidas especiales en el caso de casas rodantes para introducir el aire del exterior en la secadora. La abertura (como la de una ventana adyacente) deberá ser por lo menos el doble de tamaño que la abertura de ventilación de la secadora.

## Requisitos eléctricos

### ⚠ ADVERTENCIA



#### Peligro de Choque Eléctrico

Conecte a un contacto de pared de conexión a tierra de 3 terminales.

No quite la terminal de conexión a tierra.

No use un adaptador.

No use un cable eléctrico de extensión.

No seguir estas instrucciones puede ocasionar la muerte, incendio o choque eléctrico.

- Se necesita un suministro eléctrico de 120 voltios, 60 hertzios, CA solamente, de 15 ó 20 amperios y protegido con fusible.
- Se recomienda un fusible retardador o un cortacircuitos. Asegúrese de que el fusible o cortacircuitos tenga la misma potencia nominal de su línea de electricidad.

- Use un circuito independiente que preste servicio únicamente a su secadora.
- No use un cable eléctrico de extensión.

## INSTRUCCIONES PARA LA CONEXIÓN A TIERRA

- Para la conexión de una secadora mediante cable eléctrico conectado a tierra:

Esta secadora debe estar conectada a tierra. En el caso de funcionamiento defectuoso o avería, la conexión a tierra reducirá el riesgo de choque eléctrico al proporcionar una vía de menor resistencia para la corriente eléctrica. Esta secadora está equipada con un cable que cuenta con un conductor para la conexión a tierra del equipo y un enchufe de conexión a tierra. El enchufe debe conectarse en un contacto apropiado, que esté debidamente instalado y conectado a tierra de acuerdo con todos los códigos y ordenanzas locales.

**ADVERTENCIA:** La conexión indebida del conductor para la conexión a tierra del equipo puede ocasionar un riesgo de choque eléctrico. Verifique con un electricista, representante o personal de servicio técnico calificado para asegurarse de que la conexión a tierra de la secadora sea apropiada. No modifique el enchufe proporcionado con la secadora. Si no encaja en el contacto, contrate un electricista calificado para que instale un contacto adecuado.

### GUARDE ESTAS INSTRUCCIONES

## Requisitos de ventilación

### ⚠ ADVERTENCIA



#### Peligro de Incendio

Use un ducto de escape de metal pesado.

No use un ducto de escape de plástico.

No use un ducto de escape de aluminio.

No seguir estas instrucciones puede ocasionar la muerte o incendio.

**ADVERTENCIA:** Para reducir el riesgo de incendio, esta secadora DEBE VENTILARSE HACIA EL EXTERIOR.

Se debe usar un ducto de escape de metal pesado de 4" (10,2 cm) y abrazaderas. Los productos de ventilación DURASAFE™ son recomendables y se encuentran disponibles en la tienda Sears o el centro de servicio técnico Sears de su localidad.

Los productos de ventilación DURASAFE™ pueden adquirirse de su distribuidor. Para más información, por favor llame al **1-800-4-MY-HOME® (1-800-469-4663)** o visite nuestro sitio de internet en: [www.sears.com](http://www.sears.com) o [www.sears.ca](http://www.sears.ca).

- La salida de la secadora no debe conectarse en ningún ducto de escape de gas, chimenea, pared, techo o el espacio oculto de un edificio.

- No use capotas de ventilación con pestillos magnéticos.
- No instale el ducto de escape de metal flexible en paredes, techos o pisos encerrados.
- Utilice abrazaderas para sellar todas las juntas. No debe conectarse ni asegurarse el ducto de escape con tornillos ni ningún otro dispositivo que se extienda hacia el interior de dicho ducto. No utilice cinta adhesiva para conductos.

**IMPORTANTE:** Observe todos las normas y ordenanzas vigentes.

**La ventilación inadecuada puede ocasionar la acumulación de humedad y pelusa en la casa, lo cual puede dar como resultado:**

- Daños de humedad en la carpintería, muebles, pintura, empapelado, alfombras, etc.
- Problemas en la limpieza de la casa y de salud.

Use un ducto de escape de metal pesado. No use ductos de escape de plástico o de hoja de metal.

Se recomienda un ducto de escape de metal pesado para evitar que se aplaste o se tuerza.

El ducto de escape de metal flexible debe extenderse y sostenerse por completo cuando la secadora está en su ubicación final. Quite el exceso del ducto de metal flexible para evitar que se doble y se tuerza, lo cual podría dar lugar a una reducción del flujo de aire.

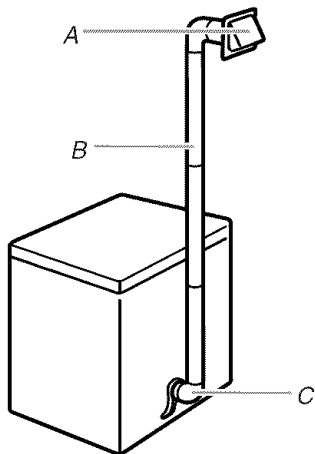
Una capota de ventilación debe tapar el ducto de escape para evitar el ingreso de roedores e insectos a la casa.

La capota de ventilación debe estar por lo menos a 12" (30,5 cm) de distancia del piso o de cualquier objeto que pudiese estar en el trayecto del ducto de escape (como flores, rocas o arbustos, etc).

Si se usa un sistema de ventilación existente, limpie la pelusa que está en toda la longitud del sistema y asegúrese de que la capota de ventilación no esté obstruida con pelusa. Reemplace cualquier ducto de escape de plástico o de hoja de metal por uno de metal rígido o de metal flexible.

## Planificación del sistema de ventilación

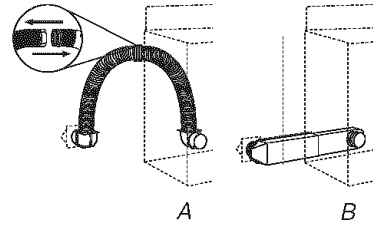
Las instalaciones típicas tienen la ventilación de la secadora en la parte posterior de la secadora.



A. Capota de ventilación  
B. Ducto de escape de metal rígido o de metal flexible  
C. Codo

## Instalaciones alternas para espacios limitados

Los sistemas de ventilación vienen en una amplia gama. Seleccione el tipo más apropiado para su instalación. A continuación se ilustran dos tipos de instalación para espacios limitados. Consulte las instrucciones del fabricante provistas con el sistema del ducto de escape.



A. Instalación en la parte superior (también está disponible con un codo de desviación)  
B. Instalación de periscopio

**NOTA:** Se pueden adquirir los siguientes juegos para instalaciones alternas en espacios limitados. Para obtener más información, sírvase llamar al **1-800-4-MY-HOME® (1-800-469-4663)**.

- Instalación en la parte superior:

Pieza número 26-49900

- Instalación de periscopio (Para usar si hay desacople entre el ducto de escape de la pared y el ducto de escape de la secadora):

Pieza número 26-49901 – Desacople de menos de 5" (12,7 cm)

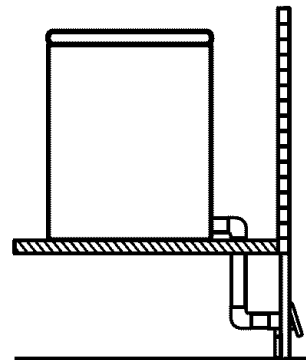
Pieza número 26-49908 – Desacople de 5" (12,7 cm) a 18" (45,72 cm)

Pieza número 26-49904 – Desacople de 18" (45,72 cm) a 29" (73,66 cm)

Pieza número 26-49905 – Desacople de 29" (73,66 cm) a 50" (127 cm)

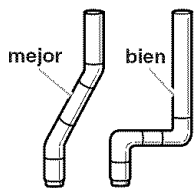
## Previsiones especiales para las instalaciones en casas rodantes

El ducto de escape deberá sujetarse firmemente en un lugar no inflamable de la estructura de la casa rodante y no debe terminar debajo de la casa rodante. El ducto de escape debe terminar en el exterior.



## Determinación de la longitud del ducto de escape

1. Seleccione la vía que proporcione el trayecto más recto y directo al exterior. Planifique la instalación a fin de usar el menor número posible de codos y vueltas. Cuando use los codos o haga vueltas, deje todo el espacio que sea posible. Doble el ducto de escape gradualmente para evitar que se retuerza. Evite vueltas de 90° en la medida de lo posible.

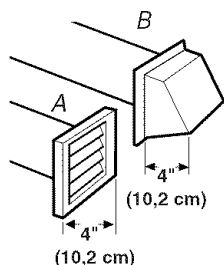


2. Determine la longitud del ducto de escape.

La longitud máxima del sistema de ventilación depende de:

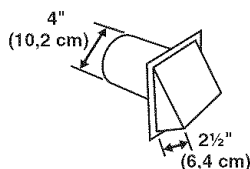
- El tipo de ducto de escape (metal rígido o metal flexible).
- El número de codos utilizados.
- Tipo de capota.

Los estilos recomendados de capotas de ventilación se ilustran aquí.



A. Estilo de capota de ventilación tipo persiana  
B. Estilo de capota de ventilación tipo caja

El estilo de capota de ventilación angular (que se ilustra a continuación) es aceptable.



Vea el cuadro de la longitud del ducto de escape que vaya de acuerdo con su tipo de capota de ventilación para fijarse en las longitudes máximas del ducto de escape que usted puede usar.

Los sistemas de ventilación más largos que los especificados:

- Acortarán la vida de la secadora.
- Reducirán el rendimiento, dando lugar a tiempos de secado más largos y un aumento en el consumo de energía.

3. Determine el número de codos que va a necesitar.

**NOTA:** No use tendidos de ducto de escape más largos que los especificados en el cuadro de longitud del ducto de escape.

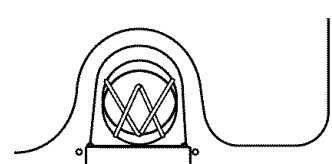
En la columna que indica el tipo de ducto de escape de metal que usted está usando (metal rígido o metal flexible), encuentre la longitud máxima de ducto de escape metálico en la misma línea que el número de codos.

### Cuadro de longitud del ducto de escape

No. de vueltas de 90° o codos	Tipo de ducto	Capotas de ventilación de caja o tipo persianas	Capotas angulares
0	<b>Metal rígido</b>	36 pies (11 m)	26 pies (7,9 m)
	<b>Metal flexible</b>	28 pies (8,5 m)	22 pies (6,7 m)
1	<b>Metal rígido</b>	26 pies (7,9 m)	16 pies (4,9 m)
	<b>Metal flexible</b>	18 pies (5,5 m)	12 pies (3,7 m)
2	<b>Metal rígido</b>	16 pies (4,9 m)	6 pies (1,8 m)
	<b>Metal flexible</b>	8 pies (2,8 m)	2 pies (0,6 m)

### Instalación del sistema de ventilación

1. Antes de instalar el sistema de ventilación, asegúrese de quitar la protección de alambre del ducto de escape que está ubicada en el orificio de salida del mismo.



2. Instale la capota de ventilación. Emplee una masilla de calafateo para sellar la abertura de la pared externa alrededor de la capota de ventilación.
3. Conecte el ducto de escape a la capota de ventilación. El ducto de escape debe encajar dentro de la capota de ventilación. Asegure el ducto de escape a la capota de ventilación con una abrazadera de 4" (10,2 cm).
4. Extienda el ducto de escape a la ubicación de la secadora. Use la trayectoria más recta posible. Vea "Determinación de la longitud del ducto de escape". Evite giros de 90°. Utilice abrazaderas para sellar todas las juntas. No use cinta adhesiva para conductos, tornillos ni otros dispositivos de fijación que se extiendan dentro del ducto de escape, para fijar el mismo.

## Instale el soporte del cable y las ruedecillas

No mueva la secadora a su ubicación final hasta que haya ejecutado los pasos siguientes.

### **⚠ ADVERTENCIA**

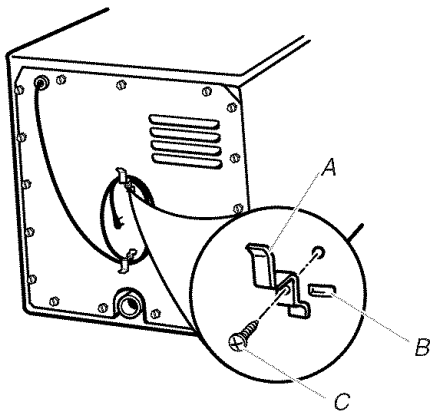
#### **Peligro de Peso Excesivo**

**Use dos o más personas para mover e instalar la secadora.**

**No seguir esta instrucción puede ocasionar una lesión en la espalda u otro tipo de lesiones.**

### Instalación del soporte del cable

1. Retire la cinta adhesiva del cable eléctrico y del panel trasero.
2. Inserte los soportes del cable en los orificios con ranuras del panel trasero y asegúrelos con los tornillos provistos.

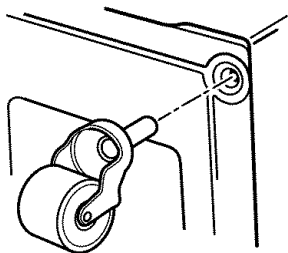


A. Soporte del cable  
B. Orificio con ranuras  
C. Tornillo

**NOTA:** El cable eléctrico se puede enrollar en los soportes para facilitar su almacenamiento cuando la secadora no está en uso.

### Instalación de las ruedecillas

1. Apoye la secadora de costado.
2. Use el cartón para evitar daños a la secadora.



3. Atornille las ruedecillas en las cuatro esquinas de la base de la secadora y apriételas fuertemente.
4. Coloque la secadora en posición vertical. Hágalo con cuidado a modo de no hacer rodar la secadora fuera de su alcance.

**NOTA:** Las instalaciones permanentes requieren 4 patas para secadora. Para obtener información sobre cómo encargar, vea por favor la contraportada de este manual.

## Conexión del ducto de escape

1. Usando una abrazadera de 4" (10,2 cm), conecte el ducto de escape a la salida de aire de la secadora. Si se conecta a un ducto de escape existente, asegúrese de que el mismo esté limpio. El ducto de escape de la secadora debe encajar sobre la salida de aire de la secadora y dentro de la capota de ventilación. Cerciórese de que el ducto de escape esté asegurado a la capota de ventilación con una abrazadera de 4" (10,2 cm).
2. Mueva la secadora a su posición final. No aplaste ni retuerza el ducto de escape. Asegúrese de que la secadora esté nivelada.
3. (En modelos a gas) Asegúrese de que no hayan torceduras en la línea de gas flexible.

## Complete la instalación

1. Revise para cerciorarse de que todas las piezas estén instaladas. Si hay alguna pieza extra, vuelva a revisar todos los pasos para ver cuál se omitió.
2. Verifique si tiene todas las herramientas.
3. Deshágase de todos los materiales de embalaje o recíclelos.
4. Revise la ubicación final de la secadora. Asegúrese de que el ducto de escape no esté aplastado o retorcido.
5. Verifique que la secadora esté sobre una superficie nivelada.
6. Conecte a un contacto de pared de conexión a tierra de 3 terminales. Conecte el suministro de energía.
7. Quite la película protectora azul que está en la consola y cualquier cinta adhesiva que haya quedado en la secadora. Quite la cinta adhesiva del filtro de pelusa (ubicado en la parte interna de la pared posterior de la secadora).
8. Lea "Uso de la Secadora".
9. Limpie el interior del tambor de la secadora meticulosamente con un paño húmedo para quitar residuos de polvo.
10. Para probar la secadora, ajústela en un ciclo completo de calor (no en un ciclo de aire) por 20 minutos y póngala en marcha.

### Si la secadora no funciona, revise lo siguiente:

- Que los controles estén fijados en una posición de funcionamiento u "On" (encendido).
  - Que se ha presionado con firmeza el botón de presione para poner en marcha.
  - Que la secadora esté conectada en un contacto de 3 terminales con conexión a tierra.
  - Que el suministro eléctrico esté conectado.
  - Que el fusible de la casa esté intacto y ajustado, o que no se haya disparado el cortacircuitos.
  - Que la puerta de la secadora esté cerrada.
11. Cuando la secadora haya estado funcionando por 5 minutos, abra la puerta y sienta si hay calor.

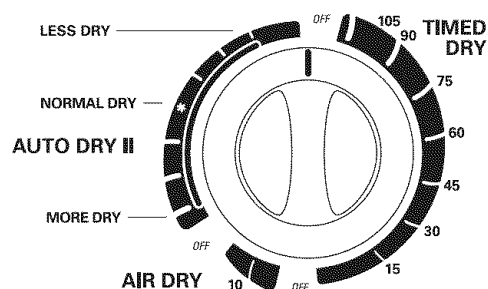
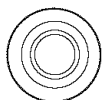
### Si no siente calor, revise lo siguiente:

- Que los controles estén fijados en un ciclo con calor, y no en un ciclo de aire.

**NOTA:** Es posible que sienta olor a quemado cuando la secadora se caliente por primera vez. Este olor es común cuando se usa por primera vez el elemento de calefacción. El olor desaparecerá.

# USO DE LA SECADORA

PUSH TO START



## Puesta en marcha de su secadora

### ⚠ ADVERTENCIA



#### Peligro de Explosión

Mantenga los materiales y vapores inflamables, tales como la gasolina, alejados de la secadora.

No seque ningún artículo que haya tenido alguna vez cualquier sustancia inflamable (aún después de lavarlo).

No seguir estas instrucciones puede ocasionar la muerte, explosión o incendio.

### ⚠ ADVERTENCIA



#### Peligro de Incendio

Ninguna lavadora puede eliminar completamente el aceite.

No seque ningún artículo que haya tenido alguna vez cualquier tipo de aceite (incluyendo los aceites de cocina).

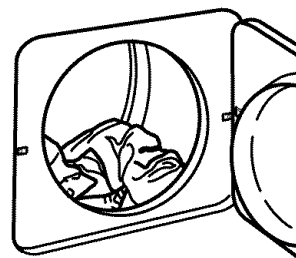
Los artículos que contengan espuma, hule o plástico deben secarse en un tendedero o usando un Ciclo de Aire.

No seguir estas instrucciones puede ocasionar la muerte o incendio.

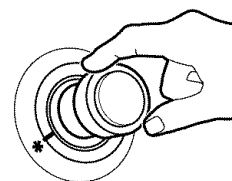
**ADVERTENCIA:** A fin de reducir el riesgo de incendio, de choque eléctrico o de daños personales, lea las INSTRUCCIONES IMPORTANTES DE SEGURIDAD antes de operar este aparato.

Antes de usar la secadora, limpie el tambor de la misma con un paño húmedo para quitar el polvo que se acumuló durante el almacenaje y envío.

1. Limpie el filtro de pelusa antes o después de cada ciclo. Vea "Limpieza del filtro de pelusa".
2. Cargue la ropa holgadamente en la secadora y cierre la puerta. No llene en exceso la secadora. Deje suficiente espacio para que la ropa rote con libertad. Vea "Cómo cargar".



3. Gire la perilla de control de ciclos hacia el ciclo recomendado para el tipo de carga que está secando. Vea "Consejos de secado, ciclos y temperatura".



4. Empuje el botón de presione para iniciar (PUSH TO START).

## Para detener y volver a poner en marcha

Usted puede detener su secadora en cualquier momento durante un ciclo.

### Para detener su secadora

Abra la puerta de la secadora o gire la perilla de Control de Ciclos a Apagado (OFF).

**NOTA:** La perilla de Control de Ciclos debe apuntar hacia un área de apagado cuando la secadora no esté en uso.

### Para volver a poner en marcha su secadora

1. Cierre la puerta.
2. Seleccione un nuevo ciclo y temperatura (si lo desea).
3. Oprima el botón de Presione para iniciar (PUSH TO START).

## Cómo cargar la secadora

Coloque la ropa en la secadora de modo suelto. No la llene en exceso. Deje suficiente espacio para que la ropa rote con libertad. El cuadro siguiente muestra la carga máxima de ropa que usted puede poner en la secadora compacta. Cuente con tiempos más largos de secado.

<b>Ropa pesada de trabajo</b>	2 pantalones, 3 camisas de trabajo
<b>Artículos delicados</b>	1 camisola, 2 fondos, 4 piezas de ropa interior, 1 juego de pijamas, 1 medio fondo
<b>Toallas</b>	9 toallas para baño; -o- 6 toallas para baño, 3 toallas para manos, 6 toallas faciales
<b>Carga mixta</b>	2 fundas para almohadas, 1 camiseta, 2 camisas, 1 pantalón
<b>Tejidos</b>	2 pantalones, 2 camisas; -o- 3 vestidos
<b>Planchado permanente</b>	6 camisas; -o- 2 sábanas tamaño matrimonial y 2 fundas para almohadas; -o- 2 sábanas sencillas y 2 fundas para almohadas

## Consejos de secado, ciclos y temperatura

Seleccione el ciclo y temperatura correctos para su ropa.

Su secadora hace girar la carga sin calor durante los últimos minutos de todos los ciclos para poder manipularla más fácilmente.

### Consejos de secado

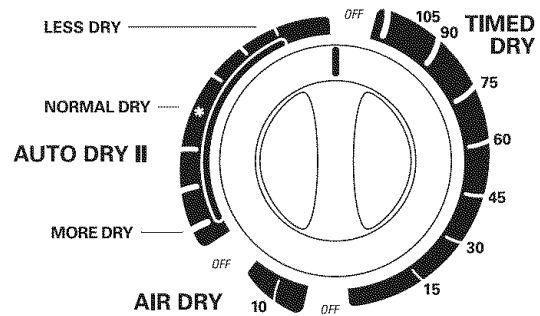
- Siga las instrucciones de cuidado de la etiqueta siempre que estén disponibles.
- Si desea, agregue una hoja de suavizante de telas. Siga las instrucciones del paquete.
- Quite la carga de ropa de la secadora tan pronto se detenga la rotación para evitar que las prendas se arruguen. Esto es de singular importancia para las prendas de planchado permanente, tejidos de punto y fibras sintéticas.

### Consejos de ciclos y temperatura

- Seque la mayoría de sus cargas usando el ajuste de secado normal (Normal Dry) (\*).
- Use un ajuste sin calor (de aire) para artículos de goma, plástico o telas sensibles al calor.
- Seque en el tendedero las telas laminadas o tratadas.

**NOTA:** Si tiene duda respecto a la temperatura que debe seleccionar para varias cargas de ropa, consulte las instrucciones de cuidado de las etiquetas.

## Ciclos



Perilla de control de ciclos

### Secado automático II (Auto Dry II)

Use este ciclo para secar la mayoría de sus cargas. El nivel de secado está determinado por termostatos que reaccionan a la cantidad de humedad del aire que sale de la secadora. El aire húmedo indica que la ropa está mojada. El aire seco indica que se ha quitado la humedad.

Este ciclo incluye un periodo de enfriamiento de 10 minutos (aproximadamente) al fin del ciclo para hacer que la ropa sea más cómoda de manejar y para reducir la formación de arrugas.

Seque la mayoría de las cargas usando el ajuste de secado normal (Normal Dry) (\*). Al final de ciclo, asegúrese de que la ropa esté seca.

- Si la carga está más seca de lo que a usted le gustaría, seleccione un ajuste más cercano a Menos Seco (LESS DRY) la próxima vez que seque una carga similar.
- Si la carga no está tan seca como a usted le gustaría, termine el secado con el ciclo de secado programado (Timed Dry). La próxima vez que seque una carga similar, seleccione un ajuste más cerca de Más Seco (MORE DRY).

**NOTA:** El tiempo de secado con un ciclo automático varía según el tipo de tela, el tamaño de la carga y el ajuste de la temperatura. Vea "Consejos de secado, ciclos y temperatura".

### Secado programado (Timed Dry)

Use este ciclo para terminar de secar si los artículos todavía están húmedos luego del ciclo de Secado automático II. El secado programado también es útil para artículos muy pesados o voluminosos, tales como cubrecamas, ropa de trabajo y cargas de ropa voluminosas que requieren un tiempo de secado prolongado. Use este ciclo para obtener hasta 105 minutos de tiempo de secado con calor. El ciclo con calor se sigue de un periodo de enfriamiento de 10 minutos (aproximadamente).

## Secado al aire (Air Dry)

Use el ciclo de secado al aire para artículos que requieren secado sin calor, tales como artículos de goma, plástico y tejidos sensibles al calor. Este cuadro muestra ejemplos de artículos que pueden secarse usando el ciclo de secado al aire.

Tipo de carga	Minutos*
Goma espuma - almohadas, sujetadores con relleno, juguetes de peluche	20 - 30
Plástico - cortinas de ducha, manteles	20 - 30
Alfombras con reverso de goma	40 - 50
Olefina, polipropileno, nailon diáfano	10 - 20

\*Vuelva a fijar el tiempo, según sea necesario, para permitir que los artículos se sequen completamente

## Siempre que use el secado al aire

- Revise para ver si las cubiertas están debidamente cosidas.
- Sacuda y ahueque las almohadas a mano periódicamente durante el ciclo.
- Seque el artículo por completo. Las almohadas de goma espuma tardan en secar.

## Señal de fin de ciclo (End of Cycle Signal)

La secadora emitirá una alarma una vez terminado el ciclo de secado. Esta alarma es útil cuando esté secando artículos que necesitan quitarse de la secadora tan pronto como se detenga para evitar que se formen arrugas.

# CUIDADO DE LA SECADORA

## Limpieza del lugar donde está la secadora

Mantenga el área donde está la secadora despejada y libre de artículos que pudieran obstruir el flujo de aire para la combustión y la ventilación.

**⚠ ADVERTENCIA**



**Peligro de Explosión**

Mantenga los materiales y vapores inflamables, como la gasolina, lejos de la secadora.

Coloque la secadora a un mínimo de 46 cm sobre el piso para la instalación en un garaje.

No seguir estas instrucciones puede ocasionar la muerte, explosión o incendio.

2. Apriete el cuerpo del filtro de pelusa delicadamente, mientras va quitando la cubierta.
3. Quite la pelusa enrollándola con los dedos. No enjuague o lave el filtro para quitar la pelusa. La pelusa mojada es difícil de quitar.
4. Vuelva a poner la cubierta sobre el cuerpo del filtro de pelusa. Empuje el filtro de pelusa firmemente otra vez en su lugar y cierre la puerta.

## IMPORTANTE:

- No ponga a funcionar la secadora con el filtro de pelusa flojo, dañado, obstruido o sin él. El hacerlo puede causar un sobrecalentamiento y dañar tanto la secadora como las prendas.
- Algunas toallas fabricadas con fibras sintéticas y fibras naturales (poliéster y mezclas de algodón) pueden soltar más pelusa que otras toallas, dando como resultado que el filtro de pelusa de su secadora se llene más rápido. Asegúrese de quitar la pelusa del filtro antes y después de secar toallas nuevas.

## Limpieza periódica

Los residuos de detergente y suavizante de telas pueden acumularse en el filtro de pelusa. Esta acumulación puede dar lugar a períodos más prolongados de secado de su ropa, o causar que la secadora se detenga antes de que su ropa esté completamente seca. El filtro está probablemente obstruido si la pelusa se cae del filtro.

Limpie el filtro de pelusa con un cepillo de nylon cada 6 meses o con más frecuencia si se obstruye debido a la acumulación de residuos.

## Para lavar

1. Quite la pelusa enrollándola con los dedos.
2. Moje tanto el cuerpo del filtro de pelusa como la cubierta con agua caliente.

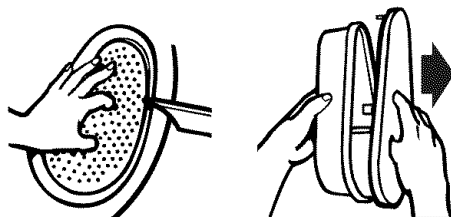
## Limpieza del filtro de pelusa

### Limpieza en cada carga

El filtro de pelusa está localizado en el tambor de la secadora, en la pared posterior. Límpielo antes del secado de cada carga. Un filtro obstruido con pelusa puede aumentar el tiempo de secado.

### Para limpiar

1. Abra la puerta y jale el filtro de pelusa directamente hacia afuera.





3. Moje un cepillo de nylon con agua caliente y detergente líquido. Frote la cubierta y el cuerpo del filtro de pelusa con el cepillo para quitar la acumulación de residuos.



4. Enjuague el filtro con agua caliente.
5. Seque minuciosamente el cuerpo del filtro de pelusa y la cubierta con una toalla limpia. Vuelva a colocar el filtro en la secadora.

## Limpieza del interior de la secadora

### Para limpiar el tambor de la secadora

1. Haga una pasta con detergente en polvo y agua tibia.
  2. Aplique la pasta a un paño suave.
- O

Aplique un producto de limpieza líquido no inflamable en el área manchada y frote con un paño suave hasta quitar todo el tinte en exceso.

3. Limpie el tambor minuciosamente con un paño húmedo.
4. Coloque una carga de ropa limpia o toallas para secar el tambor.

**NOTA:** Las prendas de colores que se destiñen tales como mezclillas o artículos de algodón de colores vivos, pueden teñir el interior de la secadora. Estas manchas no dañan su secadora ni mancharán las cargas futuras de ropa. Seque los artículos de colores que destiñen al revés para evitar la transferencia del tinte.

## Eliminación de pelusa acumulada

### En el interior del gabinete de la secadora

Según el uso de la secadora, se debe quitar la pelusa cada 2 años, o con más frecuencia. La limpieza deberá efectuarla una persona calificada.

### En el ducto de escape

La pelusa debe ser quitada cada 2 años, o con más frecuencia, de acuerdo con el uso de la secadora.

## Cuidado para las vacaciones y la mudanza

### Cuidado para las vacaciones

Ponga la secadora a funcionar sólo cuando esté en casa. Si va a salir de vacaciones o no va a usar su secadora por un tiempo prolongado, usted deberá:

1. Desenchufar la secadora o desconectar el suministro de energía.
2. Lavar el filtro de pelusa. Consulte "Limpieza del filtro de pelusa".

### Cuidado para la mudanza

1. Desenchufe el cable de suministro de energía.
2. Asegúrese de que las patas niveladoras estén fijadas en la base de la secadora.
3. Use cinta adhesiva para asegurar la puerta de la secadora.

# SOLUCIÓN DE PROBLEMAS

Primero, pruebe las soluciones aquí sugeridas y quizás se ahorre el costo de una visita de servicio técnico...

## La ropa no está secándose de modo satisfactorio

- **La secadora compacta funciona a un vataje más bajo. El secado demora más tiempo.**

- **Revise lo siguiente:**

¿Se ha retirado la protección de alambre del ducto de escape de la parte trasera de la secadora?

¿Está el filtro de pelusa obstruido con pelusa?

¿Está el ducto de escape o la capota de ventilación exterior obstruidos con pelusa, restringiendo el flujo de aire? Ponga a funcionar la secadora de 5 a 10 minutos. Ponga su mano debajo de la capota de ventilación exterior para verificar el movimiento del aire. Si no lo siente, limpie la pelusa del sistema de ventilación o reemplace el ducto de escape con uno de metal pesado o de metal flexible. Consulte "Instrucciones de Instalación".

¿Está el ducto de escape aplastado o retorcido? Reemplácelo con un ducto de metal duro o flexible. Consulte "Instrucciones de Instalación".

¿Se ha seleccionado un ciclo de secado al aire? Seleccione el ciclo correcto para el tipo de prendas que se estén secando. Consulte "Consejos de secado, ciclos y temperatura".

¿Están las hojas de suavizante de telas bloqueando el filtro? Use únicamente una hoja de suavizante de telas y sólo una vez.

¿El ciclo automático termina con anticipación? Este ciclo terminará con anticipación si la carga de la secadora no entra en contacto con las tiras detectoras. Nivele la secadora. Consulte "Instrucciones de Instalación".

- **¿Está la secadora ubicada en una habitación cuya temperatura está debajo de 7°C (45°F)?**

El funcionamiento apropiado de los ciclos de la secadora requiere temperaturas superiores a 7°C (45°F).

- **¿Se usó un enjuague con agua fría? ¿Estaba la carga muy mojada?**

Espere tiempos de secado más prolongados para artículos enjuagados en agua fría y para artículos que retienen humedad (prendas de algodón).

- **¿Está la carga demasiado voluminosa y pesada para secarse con rapidez?**

Separe la carga de modo que pueda rotar libremente.

---

## La secadora no funciona

---

### ■ Revise lo siguiente:

¿Está el cable eléctrico enchufado a un tomacorriente de tres terminales?

¿Se ha quemado un fusible, o se ha disparado el interruptor de corriente de su casa?

¿Se usó un fusible normal? Use un fusible retardador.

¿Está cerrada la puerta de la secadora?

¿Se oprimió con firmeza el botón de presione para iniciar (PUSH TO START)?

¿Se ha seleccionado un ciclo?

---

## Ruidos extraños

---

### ■ ¿Ha estado la secadora sin uso durante un período largo?

Si la secadora ha estado sin uso por una temporada, podría oírse un ruido pesado durante los primeros minutos de funcionamiento.

---

## Pelusa en la carga

---

### ■ ¿Está obstruido el filtro de pelusa?

Limpie el filtro de pelusa. Revise el movimiento del aire.

### ■ ¿Se ha separado la carga de modo apropiado?

Separe las prendas que sueltan pelusa (toallas, ropa afelpada) de las que atraen pelusa (pana, artículos sintéticos). También separe por color.

### ■ ¿Está la carga demasiado voluminosa o demasiado pesada?

Seque cargas menos voluminosas para que la pelusa pueda ser trasladada al filtro de pelusa.

### ■ ¿Se secó la carga en exceso?

Use los ajustes correctos de la secadora según el tipo de carga. Secar en exceso puede dar lugar a la electricidad estática que atrae pelusa. Consulte "Consejos de secado, ciclos y temperatura".

### ■ ¿Se dejó papel o pañuelo de papel en los bolsillos?

### ■ ¿Se está confundiendo las motitas con la pelusa?

Las motitas (en la superficie de las prendas) son causadas por el desgaste normal y el lavado.

---

## Manchas en la carga o cambio de color

---

### ■ ¿Se usó de modo apropiado el suavizante de telas para secadoras?

Agregue las hojas del suavizante de telas para secadoras al inicio del ciclo. Sus prendas se pueden manchar si las hojas de suavizante de telas se agregan a una carga parcialmente seca.

---

### ■ ¿Estaban sucios los artículos en el momento de ponerlos en la secadora?

Los artículos deberían estar limpios antes de ponerlos a secar.

### ■ ¿Se separaron los artículos de modo apropiado?

Separe los colores claros de los colores oscuros. Separe los artículos que no destiñen de los que destiñen.

---

## Las prendas se encogen

---

### ■ ¿Se sobrecargó la secadora?

Seque cargas menos voluminosas que puedan rotar con libertad.

### ■ ¿Se secó la carga en exceso?

Verifique la etiqueta de cuidado del fabricante. Ponga el ajuste de la secadora según el tipo de carga. Consulte "Consejos de secado, ciclos y temperatura".

---

## Las cargas están arrugadas

---

### ■ ¿Se quitó la carga de la secadora al terminar el ciclo?

### ■ ¿Estaba la secadora sobrecargada?

Seque cargas menos voluminosas que puedan rotar con libertad.

### ■ ¿Se secó la carga en exceso?

Verifique la etiqueta de cuidado del fabricante. Ponga el ajuste de la secadora según el tipo de carga. Consulte "Consejos de secado, ciclos y temperatura".

---

## Olores

---

### ■ ¿Pintó, tiñó o barnizó recientemente en el área donde se encuentra su secadora?

Si es así, ventile el área. Cuando los olores y el humo se hayan ido del área, vuelva a lavar la ropa y luego séquela.

### ■ ¿Se está usando la secadora por primera vez?

El nuevo elemento calefactor eléctrico puede despedir un olor. El olor desaparecerá después del primer ciclo.

---

## Prendas dañadas

---

### ■ Revise lo siguiente:

¿Se dejaron abiertos los cierres, broches de presión y ganchos?

¿Se ataron los cordones y tirantes para evitar que se enreden?

¿Se siguieron las instrucciones de la etiqueta de cuidado de la prenda?

¿Se dañaron los artículos antes del secado?

---

# TABLE DES MATIÈRES

CONTRATS D'ENTRETIEN .....	27
GARANTIE .....	28
SÉCURITÉ DE LA SÈCHEUSE.....	28
INSTRUCTIONS D'INSTALLATION .....	29
Outillage et pièces nécessaires .....	29
Emplacement d'installation .....	29
Spécifications électriques.....	31
Exigences concernant l'évacuation.....	31
Planification du système d'évacuation.....	32
Installation du conduit d'évacuation.....	33
Installation de la bride du cordon et des roulettes.....	33
Conduit d'évacuation.....	34
Achever l'installation .....	34
UTILISATION DE LA SÈCHEUSE .....	35
Mise en marche de la sècheuse .....	35
Arrêt et remise en marche .....	36
Chargement .....	36
Conseils pour séchage, programmes et température .....	36
Programmes.....	36
ENTRETIEN DE LA SÈCHEUSE.....	37
Nettoyage de l'emplacement de la sècheuse .....	37
Nettoyage du filtre à charpie .....	37
Nettoyage de l'intérieur de la sècheuse .....	38
Enlever la charpie accumulée.....	38
Précautions à prendre pour les vacances et avant un déménagement.....	38
DÉPANNAGE .....	38
NUMÉROS DE SERVICE .....	COUVERTURE ARRIÈRE

# CONTRATS D'ENTRETIEN

## Contrats d'entretien

Votre achat a plus de valeur parce que vous pouvez compter sur Sears HomeCentral® pour le service. Avec plus de 2400 spécialistes formés et l'accès à plus de d'un million de pièces et accessoires, nous avons les outils et les pièces ainsi que les connaissances et compétences pour remplir cette promesse que nous vous faisons : nous assurons le service de nos produits.

Votre appareil Kenmore® est conçu, fabriqué et vérifié pour qu'il puisse vous fournir de nombreuses années de service en toute confiance. Cependant, tout appareil ménager moderne peut nécessiter des interventions de service de temps à autre. Le contrat d'entretien Sears vous offre un programme de service remarquable à un prix abordable.

## Le contrat d'entretien Sears

- Garantit les prix d'aujourd'hui pour les services que vous utiliserez plus tard.
- Élimine les factures pour les réparations imputables à l'usure normale.
- Couvre les appels de service pour une aide non technique et pratique.
- Comprend une inspection annuelle d'entretien préventif (sur votre demande) pour maintenir votre appareil en bon état de fonctionnement.

**Certaines limitations s'appliquent. Pour des renseignements concernant les contrats d'entretien de Sears Home Central®, composer le 1-800-533-6937.**

# GARANTIE DES APPAREILS MÉNAGERS KENMORE

## GARANTIE LIMITÉE DE UN AN

Lorsqu'il est installé, utilisé et entretenu conformément à toutes les instructions fournies avec le produit, si cet appareil ménager fait défaut par suite d'un vice de matériau ou de fabrication au cours de l'année qui suit la date d'achat, composer le 1-800-4-MY-HOME® pour obtenir une réparation gratuite.

Si cet appareil ménager fonctionne à toute autre fin que l'utilisation familiale privée, la présente garantie ne s'appliquera que pendant 90 jours à partir de la date d'achat.

## LA PRÉSENTE GARANTIE COUVRE UNIQUEMENT LES VICES DE MATÉRIEAUX ET DE FABRICATION. SEARS NE PAIERA PAS POUR :

1. Les pièces courantes qui peuvent s'user suite à une utilisation normale, notamment les filtres, courroies, ampoules et sacs.
2. L'intervention d'un technicien pour montrer à l'utilisateur comment installer, utiliser et entretenir correctement le produit.
3. L'intervention d'un technicien pour nettoyer ou entretenir ce produit.
4. L'endommagement ou les défauts du produit si celui-ci n'est pas installé, utilisé ou entretenu conformément à toutes les instructions fournies avec le produit.
5. L'endommagement ou les défauts du produit résultant d'accident, usage impropre ou abusif ou utilisation autre que pour laquelle il est destiné.
6. L'endommagement ou les défauts du produit causés par l'utilisation de détergents, agents de nettoyage, produits chimiques ou ustensiles autres que ceux recommandés dans toutes les instructions fournies avec le produit.
7. L'endommagement ou les défauts des pièces ou systèmes résultant d'une modification non autorisée faite au produit.

## CLAUSE D'EXONÉRATION DE RESPONSABILITÉ AU TITRE DES GARANTIES IMPLICITES; LIMITATION DES RECOURS

Le seul et exclusif recours du client dans le cadre de la présente garantie limitée consiste en la réparation prévue ci-dessus. Les garanties implicites, y compris les garanties applicables de qualité marchande et d'aptitude à un usage particulier, sont limitées à un an ou à la plus courte période autorisée par la loi. Sears n'assume aucune responsabilité pour les dommages fortuits ou indirects. Certains États ou certaines provinces ne permettent pas l'exclusion ou la limitation des dommages fortuits ou indirects, ou la limitation de la durée des garanties implicites de qualité marchande ou d'aptitude à un usage particulier, de sorte que cette exclusion ou limitation peut ne pas être applicable dans votre cas.

Cette garantie s'applique seulement lorsque cet appareil ménager est utilisé aux États-Unis et au Canada.

Cette garantie vous confère des droits juridiques spécifiques et vous pouvez également jouir d'autres droits qui peuvent varier d'un État à l'autre.

Sears, Roebuck and Co.

Dept. 817WA, Hoffman Estates, IL 60179

Sears Canada Inc.

Toronto, Ontario, Canada M5B 2B8

## ENREGISTREMENT DU PRODUIT

Dans l'espace ci-dessous, inscrire les numéros de modèle et de série complets et la date d'achat. Vous trouverez ces renseignements sur la plaque signalétique située sur le produit.

Gardez ces renseignements à disposition pour obtenir plus rapidement assistance ou service lorsque vous communiquez avec Sears au sujet de votre appareil ménager.

Numéro de modèle \_\_\_\_\_

Numéro de série \_\_\_\_\_

Date d'achat \_\_\_\_\_

Conservez ces instructions et votre reçu de vente pour référence ultérieure.

# SÉCURITÉ DE LA SÈCHEUSE

## Votre sécurité et celle des autres est très importante.

Nous donnons de nombreux messages de sécurité importants dans ce manuel et sur votre appareil ménager. Assurez-vous de toujours lire tous les messages de sécurité et de vous y conformer.



Voici le symbole d'alerte de sécurité.

Ce symbole d'alerte de sécurité vous signale les dangers potentiels de décès et de blessures graves à vous et à d'autres.

Tous les messages de sécurité suivront le symbole d'alerte de sécurité et le mot "DANGER" ou "AVERTISSEMENT". Ces mots signifient :

**⚠ DANGER**

Risque possible de décès ou de blessure grave si vous ne suivez pas immédiatement les instructions.

**⚠ AVERTISSEMENT**

Risque possible de décès ou de blessure grave si vous ne suivez pas les instructions.

Tous les messages de sécurité vous diront quel est le danger potentiel et vous disent comment réduire le risque de blessure et ce qui peut se produire en cas de non-respect des instructions.

## IMPORTANTES INSTRUCTIONS DE SÉCURITÉ

**AVERTISSEMENT :** Pour réduire le risque d'incendie, de choc électrique ou de blessure lors de l'utilisation de la sècheuse, il convient d'observer certaines précautions élémentaires dont les suivantes :

- Lire toutes les instructions avant d'utiliser la sècheuse.
- Ne pas placer des articles exposés aux huiles de cuisson dans votre sècheuse. Les articles contaminés par des huiles de cuisson peuvent contribuer à une réaction chimique qui pourrait causer à la charge de s'enflammer.
- Ne pas faire sécher dans la machine des articles qui ont déjà été nettoyés, lavés, imbibés, ou tachés d'essence, de solvants pour nettoyage à sec, d'autres substances inflammables, ou de substances explosives puisqu'elles dégagent des vapeurs qui peuvent provoquer un incendie ou une explosion.
- Ne pas permettre à des enfants de jouer sur ou à l'intérieur de la sècheuse. Une surveillance étroite est nécessaire lorsque la sècheuse est utilisée près d'eux.
- Avant d'enlever la sècheuse du service ou la jeter, enlever la porte du compartiment de séchage.
- Ne pas mettre la main dans la sècheuse si le tambour est en mouvement.
- Ne pas installer ni entreposer la sècheuse où elle sera exposée aux intempéries.
- Ne pas jouer avec les commandes.
- Ne pas réparer ni remplacer une pièce de la sècheuse ou essayer d'en faire l'entretien à moins d'une recommandation spécifique dans le guide d'utilisation et d'entretien, ou publiée dans les instructions de réparation par l'utilisateur que vous comprenez et pouvez exécuter avec compétence.
- Ne pas utiliser un produit assouplissant de tissu ou des produits pour éliminer la statique à moins qu'ils ne soient recommandés par le fabricant du produit assouplissant de tissu ou du produit.
- Ne pas utiliser la chaleur pour faire sécher des articles fabriqués avec du caoutchouc mousse ou des matériaux semblables.
- Nettoyer le filtre à charpie avant et après chaque charge.
- Ne pas laisser la charpie, la poussière, ou la saleté s'accumuler autour du système d'évacuation ou autour de l'appareil.
- Un nettoyage périodique de l'intérieur de la sècheuse et du conduit d'évacuation doit être effectué par une personne qualifiée.
- Voir les instructions d'installation pour les exigences de liaison de l'appareil à la terre.

CONSERVEZ CES INSTRUCTIONS

## INSTRUCTIONS D'INSTALLATION

### Outillage et pièces nécessaires

#### Outillage requis

Rassembler les outils et pièces nécessaires avant de commencer l'installation. Lire et suivre les instructions fournies avec les outils indiqués ici.

- Tournevis à lame plate
- Niveau
- Clé à mollette
- Clapets d'évacuation
- Pistolet à calfeutrage et composé de calfeutrage (pour l'installation d'un nouveau conduit d'évacuation)
- Cisaille de ferblantier (nouvelles installations d'évacuation)

#### Pièces fournies

Retirer le sachet de pièces du tambour de la sècheuse. Vérifier que toutes les pièces de la liste sont présentes.

- 1 - bouton de commande de programme (minuterie)
- 1 - bouton de mise en marche
- 4 - roulettes
- 2 - brides du cordon
- 2 - vis

#### Pièces nécessaires

Consulter les codes locaux, vérifier l'alimentation électrique et le circuit d'évacuation existants, et consulter les sections "Spécifications électriques" et "Exigences concernant l'évacuation" avant d'acheter des pièces.

- Mobile home installations require metal exhaust system hardware
- Permanent installations require 4 dryer feet

The above are available for purchase from your local Sears store or Sears Service Center. For further information, please call **1-800-4-MY-HOME® (1-800-469-4663)**.

### Emplacement d'installation

#### AVERTISSEMENT



#### Risque d'explosion

**Garder les matières et les vapeurs inflammables, telle que l'essence, loin de la sècheuse.**

**Placer la sècheuse au moins 46 cm (18 po) au-dessus du plancher pour une installation dans un garage.**

**Le non-respect de ces instructions peut causer un décès, une explosion ou un incendie.**

#### Il vous faudra

- Un emplacement qui permet l'installation d'un système d'évacuation approprié. Voir "Exigences concernant l'évacuation".

- L'appareil doit être alimenté uniquement par un circuit de 120 V CA, 60 Hz, 15 ou 20 ampères.
- Une prise électrique avec liaison à la terre située à moins de 2 pi (61 cm) de l'un des côtés de la sècheuse. Voir "Spécifications électriques".
- Un plancher robuste capable de soutenir le poids total de la sècheuse (sècheuse et chargement) de 115 lb (52 kg). Il faut aussi prendre en compte le poids combiné d'un appareil ménager voisin.
- Un plancher de niveau ayant une pente maximale de 1" (2,5 cm) sous l'ensemble de la sècheuse.

Ne pas faire fonctionner la sècheuse à des températures inférieures à 45°F (7°C). À des températures inférieures, la sècheuse risque de ne plus s'arrêter à la fin d'un programme automatique. Ceci risque de prolonger les durées de séchage.

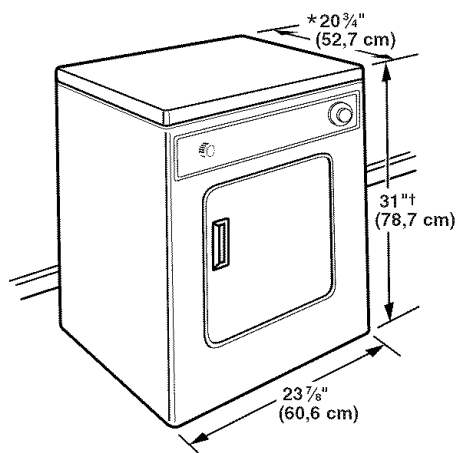
La sècheuse ne doit pas être installée ou remise dans un endroit où elle sera exposée à l'eau et/ou aux intempéries.

Vérifier les règlements locaux. Certains codes limitent ou n'autorisent pas l'installation des sècheuses dans un garage, un placard, une maison mobile ou une chambre à coucher. Communiquer avec l'inspecteur des bâtiments local.

### Espacements d'installation

L'emplacement doit être assez grand pour permettre d'ouvrir complètement la porte de la sècheuse.

### Dimensions de la sècheuse



†Hauteur roulettes comprises : 32 1/2" (82,6 cm)

\* La plupart des installations requièrent un espace minimum de 5 1/2" (14,0 cm) derrière la sècheuse pour le conduit d'évacuation avec coudes. Voir "Exigences concernant l'évacuation".

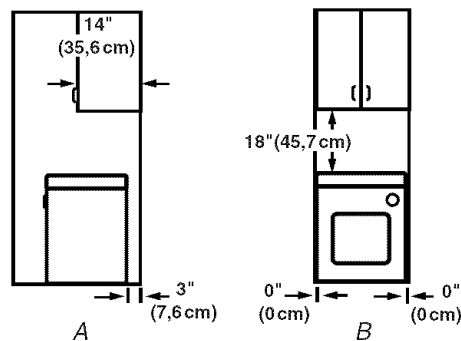
### Espacement minimum recommandé pour une installation dans un encastrement, ou dans un placard

Les espacements minimums suivants sont requis quand l'appareil doit fonctionner avec ou sans le nécessaire de superposition. Pour acheter le nécessaire de superposition, veuillez composer le 1-800-4-MY-HOME® (1-800-469-4663).

- On prévoira un peu plus d'espace pour faciliter l'installation et l'entretien.
- Un espace supplémentaire peut être requis pour les moulures de porte et de plancher et pour les plinthes.

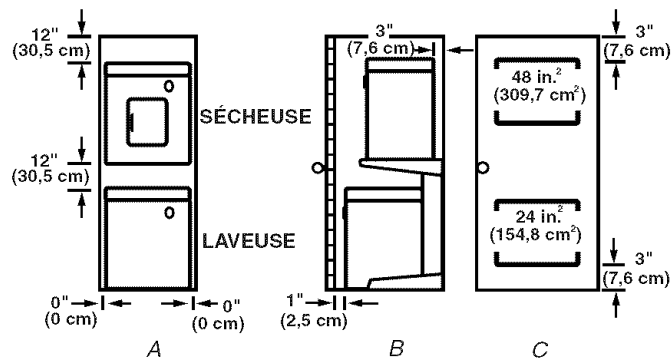
- Un espace supplémentaire de 1" (2,5 cm) de tous les côtés de la sècheuse est recommandé pour réduire le transfert du bruit.
- Si une porte de placard est installée, on doit prévoir des ouvertures minimums d'entrée d'air en haut et en bas de la porte. Les portes à claire-voie offrant des ouvertures équivalentes de passage de l'air sont acceptables.
- Il faut aussi prendre en compte l'espace requis entre les appareils voisins.

### Installation dans un encastrement ou placard - Sècheuse seulement



A. Vue latérale - placard ou endroit exigü  
B. Encastrement

### Installation dans un encastrement ou placard - Superposition



A. Encastrement  
B. Vue latérale - placard ou endroit exigü  
C. Porte de placard avec ouvertures d'entrée d'air

### Exigences concernant l'installation dans une maison mobile

Cette sècheuse peut être installée dans une maison mobile. L'installation doit être conforme à la norme canadienne sur les maisons préfabriquées CAN/CSA-Z240 MH.

#### L'installation dans une maison mobile exige :

- Un système d'évacuation en métal qui peut être acheté du magasin Sears local ou d'un centre de service Sears.
- Il faut prendre des dispositions spéciales pour l'apport d'air de l'extérieur dans la sècheuse dans les maisons mobiles. L'ouverture (telle qu'une fenêtre à proximité) devrait être au moins deux fois plus grande que l'ouverture de décharge de la sècheuse.

## Spécifications électriques

### **⚠ AVERTISSEMENT**



#### Risque de choc électrique

Brancher sur une prise à 3 alvéoles reliée à la terre.

Ne pas enlever la broche de liaison à la terre.

Ne pas utiliser un adaptateur.

Ne pas utiliser un câble de rallonge.

Le non-respect de ces instructions peut causer un décès, un incendie ou un choc électrique.

- L'appareil doit être alimenté uniquement par un circuit de 120 V CA, 60 Hz, 15 ou 20 ampères, protégé par fusible.
- On recommande d'utiliser un fusible ou un disjoncteur temporisé. S'assurer que le fusible ou le disjoncteur corresponde bien au calibre du circuit.
- Utiliser un circuit indépendant uniquement pour la sècheuse.
- Ne pas utiliser un cordon de rallonge.

#### INSTRUCTIONS DE LIAISON À LA TERRE

- Pour une sècheuse reliée à la terre et connectée par un cordon :

Cette sècheuse doit être reliée à la terre. En cas de mauvais fonctionnement ou de panne, la liaison à la terre réduira le risque de choc électrique en offrant au courant électrique un acheminement d'évacuation de moindre résistance. Cette sècheuse est alimentée par un cordon électrique comportant un conducteur relié à la terre et une fiche de branchement munie d'une broche de liaison à la terre. La fiche doit être branchée sur une prise appropriée qui est bien installée et reliée à la terre conformément à tous les codes et règlements locaux.

**AVERTISSEMENT :** Le raccordement incorrect de cet appareil au conducteur de liaison à la terre peut susciter un risque de choc électrique. En cas de doute quant à la qualité de liaison à la terre de la sècheuse, consulter un électricien ou un technicien ou un personnel qualifié. Ne pas modifier la fiche de branchement fournie avec la sècheuse; si la fiche ne correspond pas à la configuration de la prise de courant, demander à un électricien qualifié d'installer une prise de courant appropriée.

**CONSERVEZ CES INSTRUCTIONS**

## Exigences concernant l'évacuation

### **⚠ AVERTISSEMENT**



#### Risque d'incendie

Utiliser un conduit d'évacuation en métal lourd.

Ne pas utiliser un conduit d'évacuation en plastique.

Ne pas utiliser un conduit d'évacuation en feuille de métal.

Le non-respect de ces instructions peut causer un décès ou un incendie.

**AVERTISSEMENT :** Pour réduire le risque d'incendie, cette sècheuse DOIT S'ÉVACUER À L'EXTÉRIEUR.

Utiliser un conduit d'évacuation en métal lourd de 4" (10,2 cm) et des brides. Les produits d'évacuation DURASAFE™ sont recommandés et disponibles dans votre magasin local Sears ou au Centre de Services Sears.

On peut se procurer les produits d'évacuation DURASAFE™ auprès du concessionnaire. Pour obtenir plus d'information, téléphoner au 1-800-4-MY-HOME® (1-800-469-4663) ou visiter notre site Internet à l'adresse : [www.sears.ca](http://www.sears.ca).

- Le système d'évacuation de la sècheuse ne doit pas être connecté à une évacuation de gaz, une cheminée, un mur, un plafond ou un vide dans le bâtiment.
- Ne pas utiliser un clapet d'évacuation à fermeture magnétique.
- Ne pas installer le conduit flexible dans les cavités fermées des murs, plafonds ou planchers.
- Utiliser des brides de serrage pour sceller tous les joints. Le système d'évacuation ne doit pas être connecté ou fixé avec des vis ou autres dispositifs de serrage qui se prolongent à l'intérieur du conduit. Ne pas utiliser de ruban adhésif.

**IMPORTANT :** Respecter toutes les prescriptions des codes et règlements en vigueur.

**Une mauvaise évacuation de l'air peut causer de l'humidité et une accumulation de charpie à l'intérieur de la maison qui peut causer :**

- Dommages par l'humidité aux boiseries, meubles, peinture, papier-peint, tapis, etc.
- Problèmes de nettoyage dans la maison et problèmes de santé.

Utiliser un conduit métallique lourd. Ne pas utiliser un conduit de plastique ou en feuille métallique.

On recommande d'utiliser un conduit métallique rigide pour réduire les risques d'écrasement et de déformation.

Un conduit métallique souple doit être totalement déployé et soutenu lorsque la sècheuse est à sa position finale. Enlever tout excès de conduit souple en métal pour éviter tout affaissement et déformation susceptibles de réduire la capacité d'évacuation.

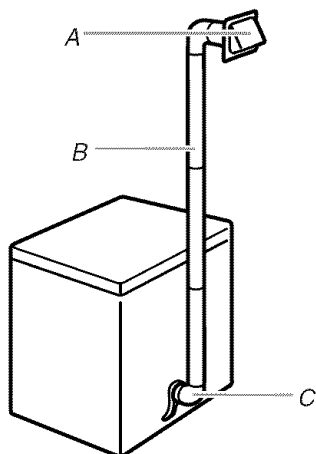
Terminer le conduit d'évacuation par un clapet de décharge pour empêcher les rongeurs et insectes d'entrer dans l'habitation.

Le clapet de décharge doit être situé à au moins 12" (30,5 cm) au-dessus du sol ou de tout autre objet susceptible de se trouver sur le trajet de l'air humide rejeté (par exemple, fleurs, roches ou arbustes, etc.).

Lors de l'utilisation d'un système de décharge existant, nettoyer et éliminer la charpie sur toute la longueur du système et veiller à ce que le clapet de décharge ne soit pas obstrué par une accumulation de charpie. Remplacer tout conduit de plastique ou de feuille métallique par un conduit métallique rigide ou souple.

## Planification du système d'évacuation

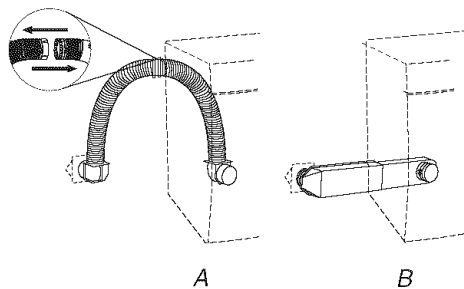
Les installations typiques consistent à acheminer le conduit d'évacuation à l'arrière de la sècheuse.



A. Clapet de décharge  
B. Conduit métallique rigide ou souple  
C. Coude

## Autres installations où le dégagement est réduit

Il existe de nombreux systèmes d'évacuation. Choisir le système qui convient le mieux à l'installation. Deux installations à dégagement réduit sont illustrées. Consulter les instructions du fabricant fournies avec le système d'évacuation.



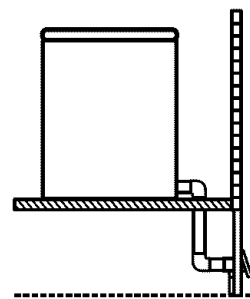
A. Installation au-dessus de la sècheuse (aussi disponible avec un coude décalé)  
B. Installation de périscope

**REMARQUE :** On peut acheter les trousse suivantes pour les installations où le dégagement est réduit. Pour obtenir plus de renseignements, veuillez composer le **1-800-4-MY-HOME®** (1-800-469-4663).

- Installation au-dessus de la sècheuse :  
Pièce numéro 26-49900
- Installation de périscope (pour l'utilisation en cas de non-concordance de la bouche de décharge de la sècheuse avec le clapet) :  
Pièce numéro 26-49901 - moins de 5" (12,7 cm) de décalage  
Pièce numéro 26-49908 - 5" (12,7 cm) à 18" (45,72 cm) de décalage  
Pièce numéro 26-49904 - 18" (45,72 cm) à 29" (73,66 cm) de décalage  
Pièce numéro 26-49905 - 29" (73,66 cm) à 50" (127 cm) de décalage

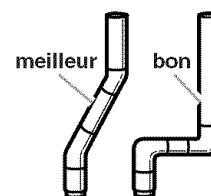
## Dispositions spéciales pour les installations dans une maison mobile

Le système d'évacuation doit être solidement fixé à une section non combustible de la structure de la maison mobile et ne doit pas se terminer en dessous de la maison mobile. Faire en sorte que le système d'évacuation se termine à l'extérieur.



## Détermination de la longueur du conduit

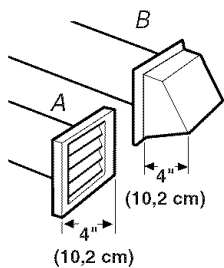
1. Choisir l'itinéraire d'acheminement vers l'extérieur qui sera le plus direct et le plus rectiligne. Planifier l'installation pour introduire le nombre minimal de coudes et changements de direction. Si des coudes sont utilisés pour les changements de direction, prévoir autant d'espace que possible. Plier le conduit graduellement pour éviter de le déformer. Éviter les changements de direction de 90° si possible.



2. Déterminer la longueur du conduit.  
La longueur maximale du circuit de décharge dépend de plusieurs facteurs :
  - Le type de conduit (métal rigide ou souple).
  - Le nombre de coudes incorporés au circuit.
  - Type de clapet.

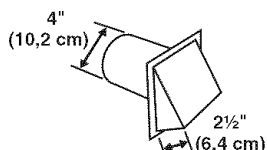


Les styles de clapet recommandés sont illustrés ci-dessous.



A. Clapet à persiennes  
B. Clapet de type boîte

Le clapet incliné (illustré ci-dessous) est acceptable.



Consulter le tableau correspondant au type de clapet de décharge utilisé pour déterminer la longueur maximale de conduit utilisable.

Si la longueur du circuit est supérieure à la valeur spécifiée dans le tableau, on observera :

- Une réduction de la longévité de la sècheuse.
- Une réduction du rendement, avec temps de séchage plus longs et une plus grande consommation d'énergie.

3. Déterminer le nombre de coudes nécessaires.

**IMPORTANT :** Ne pas installer un conduit de longueur supérieure à la valeur spécifiée dans le tableau.

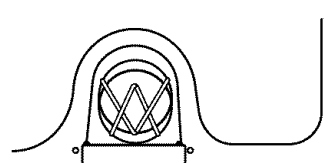
Dans la colonne correspondant au type de conduit métallique utilisé (rigide ou souple), identifier la longueur maximale de conduit métallique sur la ligne correspondant au nombre de coudes.

Tableau de longueur du conduit d'évacuation

Nombre de virages ou coudes à 90°	Type de conduit	Clapets de type boîte ou à persiennes	Clapets inclinés
0	Métal rigide	36 pi (11 m)	26 pi (7,9 m)
	Métal souple	28 pi (8,5 m)	22 pi (6,7 m)
1	Métal rigide	26 pi (7,9 m)	16 pi (4,9 m)
	Métal souple	18 pi (5,5 m)	12 pi (3,7 m)
2	Métal rigide	16 pi (4,9 m)	6 pi (1,8 m)
	Métal souple	8 pi (2,8 m)	2 pi (0,6 m)

## Installation du conduit d'évacuation

1. Avant d'installer le conduit d'évacuation, s'assurer d'enlever le protecteur en fil métallique situé sur la bouche d'évacuation.



2. Installer le clapet d'évacuation. Utiliser du composé de calfeutrage pour sceller l'ouverture murale, à l'extérieur autour du clapet d'évacuation.
3. Raccorder le conduit d'évacuation au clapet. Le conduit doit être inséré à l'intérieur du manchon du clapet. Fixer ensemble le conduit et le clapet avec une bride de 4" (10,2 cm).
4. Acheminer le conduit d'évacuation jusqu'à l'emplacement de la sècheuse. Utiliser l'itinéraire le plus rectiligne possible. Voir la section "Détermination de la longueur du conduit d'évacuation". Éviter les virages à 90°. Utiliser des brides pour sceller tous les joints. Ne pas utiliser de ruban adhésif pour conduit, des vis ou autres dispositifs de fixation qui se prolongent à l'intérieur du conduit pour fixer celui-ci.

## Installation de la bride du cordon et des roulettes

Ne pas placer la sècheuse dans sa position finale jusqu'à ce que les étapes suivantes aient été exécutées.

### ⚠ AVERTISSEMENT

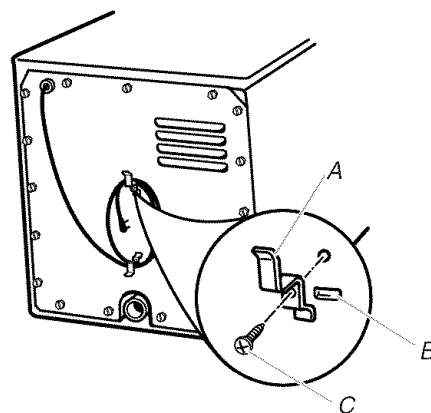
#### Risque du poids excessif

Utiliser deux ou plus de personnes pour déplacer et installer la sècheuse.

Le non-respect de cette instruction peut causer une blessure au dos ou d'autre blessure.

### Installer la bride du cordon

1. Enlever le ruban adhésif du cordon d'alimentation et du panneau arrière.
2. Insérer les brides du cordon dans les fentes du panneau arrière et les fixer avec les vis fournies.

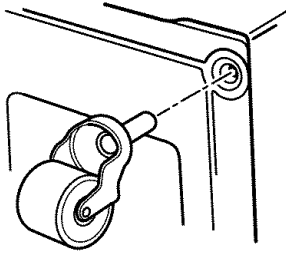


A. Bride du cordon d'alimentation  
B. Trou à fentes  
C. Vis

**REMARQUE :** Le cordon d'alimentation peut être enroulé autour des brides pour un rangement pratique quand la sècheuse n'est pas utilisée.

### Installer les roulettes

1. Poser la sècheuse sur le côté.
2. Utiliser le carton pour éviter d'endommager la sècheuse.



3. Visser les roulettes aux quatre coins de la base de la sècheuse et bien serrer.
4. Mettre la sècheuse debout. Pour cela, veiller à ce que la sècheuse ne roule pas loin de vous.

**REMARQUE :** Les installations permanentes exigent 4 pieds de sècheuse. Pour commander, veuillez vous référer aux informations situées au dos de ce manuel.

### Conduit d'évacuation

1. À l'aide d'une bride de fixation de 4" (10,2 cm), relier le conduit d'évacuation à la bouche d'évacuation de la sècheuse. Si on utilise un système d'évacuation existant, s'assurer qu'il est propre. Le conduit d'évacuation de la sècheuse doit être fixé sur la bouche d'évacuation de la sècheuse et dans le clapet d'évacuation. S'assurer que le conduit d'évacuation est fixé au clapet d'évacuation à l'aide d'une bride de fixation de 4" (10,2 cm).
2. Placer la sècheuse à l'emplacement final. Ne pas écraser ni déformer le conduit d'évacuation. Vérifier que la sècheuse est de niveau.
3. (Sur les modèles à gaz) Vérifier que le tuyau de gaz flexible n'est pas déformé ou écrasé.

### Achever l'installation

1. Vérifier que toutes les pièces sont maintenant installées. S'il reste une pièce, passer en revue les différentes étapes pour découvrir laquelle aurait été oubliée.
2. S'assurer d'avoir récupéré tous les outils.
3. Jeter/recycler tout le matériel d'emballage.
4. Vérifier l'emplacement définitif de la sècheuse. S'assurer que le conduit d'évacuation n'est pas écrasé ou déformé.
5. Vérifier que la sècheuse est bien d'aplomb.
6. Brancher la sècheuse sur une prise reliée à la terre à trois alvéoles. Mettre le courant.
7. Retirer la pellicule de protection bleue sur le panneau de commande et tout ruban qui reste sur la sècheuse. Retirer le ruban du filtre à charpie (situé sur la paroi intérieure arrière de la sècheuse).
8. Lire la section "Utilisation de la sècheuse".
9. Essuyer soigneusement le tambour de la sècheuse avec un chiffon humide pour éliminer toute trace de poussière.
10. Régler la sècheuse pour un programme de séchage complet (pas le programme de séchage à l'air) de 20 minutes et mettre la sècheuse en marche.

#### Si la sècheuse ne démarre pas, vérifier ce qui suit :

- Les commandes sont réglées à la position de marche ou "On".
  - Le bouton de mise en marche a été enfoncé fermement.
  - La sècheuse est branchée sur une prise reliée à la terre à trois alvéoles.
  - L'alimentation électrique est connectée.
  - Les fusibles sont intacts et serrés, ou le disjoncteur n'est pas déclenché.
  - La porte de la sècheuse est fermée.
11. Après 5 minutes de fonctionnement, ouvrir la porte de la sècheuse et voir s'il y a de la chaleur.

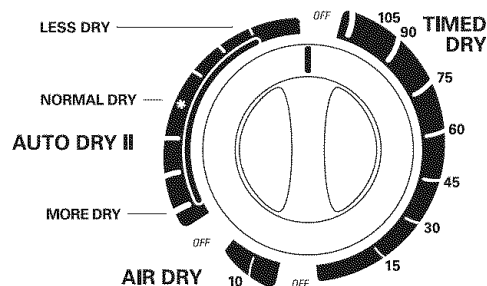
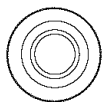
#### Si la sècheuse n'est pas chaude à l'intérieur, vérifier ce qui suit :

- Les commandes sont réglées sur un programme de séchage avec chaleur, non pas sur un programme de séchage à l'air.

**REMARQUE :** Il est possible que la sècheuse dégage une odeur de brûlé lors du chauffage initial. Cette odeur est normale lorsque l'élément chauffant est utilisé pour la première fois. L'odeur disparaîtra.

# UTILISATION DE LA SÈCHEUSE

PUSH TO START



## Mise en marche de la sècheuse

### ⚠ AVERTISSEMENT



#### Risque d'explosion

Garder les matières et les vapeurs inflammables, telle que l'essence, loin de la sècheuse.

Ne pas faire sécher un article qui a déjà été touché par un produit inflammable (même après un lavage).

Le non-respect de ces instructions peut causer un décès, une explosion ou un incendie.

### ⚠ AVERTISSEMENT



#### Risque d'incendie

Aucune laveuse ne peut complètement enlever l'huile.

Ne pas faire sécher des articles qui ont été salis par tout genre d'huile (y compris les huiles de cuisson).

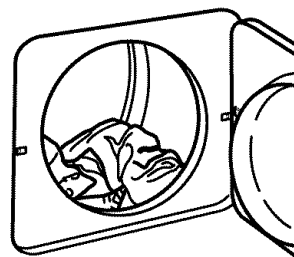
Les articles contenant mousse, caoutchouc ou plastique doivent être séchés sur une corde à linge ou par le programme de séchage à l'air.

Le non-respect de ces instructions peut causer un décès ou un incendie.

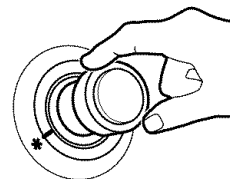
**AVERTISSEMENT** : Pour réduire le risque d'incendie, de choc électrique ou de blessures corporelles, lire les INSTRUCTIONS IMPORTANTES DE SÉCURITÉ avant de faire fonctionner cet appareil.

Avant d'utiliser la sècheuse, essuyer le tambour de la sècheuse avec un linge humide pour enlever la poussière accumulée au cours de l'entreposage et de l'expédition.

1. Nettoyer le filtre à charpie avant ou après chaque programme. Voir "Nettoyage du filtre à charpie".
2. Charger les vêtements sans les tasser dans la sècheuse et fermer la porte. Ne pas surcharger la sècheuse. Prévoir suffisamment d'espace pour que les vêtements puissent culbuter librement. Voir "Chargement".



3. Tourner le bouton de commande de programme au programme recommandé pour le type de charge que vous séchez. Voir "Conseils pour séchage, programmes et température".



4. Appuyer sur le bouton PUSH TO START (enfoncer pour mettre en marche).

## Arrêt et remise en marche

On peut arrêter la sécheuse à tout moment au cours d'un programme.

### Pour arrêter la sécheuse

Ouvrir la porte de la sécheuse ou tourner le bouton de commande de programme à OFF (arrêt).

**REMARQUE :** Le bouton de commande de programme doit pointer vers une zone d'arrêt quand la sécheuse n'est pas utilisée.

### Pour remettre la sécheuse en marche

1. Fermer la porte.
2. Choisir un nouveau programme et une nouvelle température (si désiré).
3. Appuyer sur le bouton PUSH TO START (mise en marche).

## Chargement

Mettre les vêtements dans la sécheuse sans les tasser. Ne pas surcharger la sécheuse. Prévoir suffisamment d'espace pour que les vêtements puissent culbuter librement. Le tableau suivant indique la charge maximale que vous pouvez placer dans votre sécheuse compacte. S'attendre à des temps de séchage plus longs.

<b>Vêtements de travail lourds</b>	2 pantalons, 3 chemises de travail
<b>Délicats</b>	1 chemisette, 2 combinaisons, 4 sous-vêtements, 1 vêtement de nuit, 1 jupon
<b>Serviettes</b>	9 serviettes de bain ou 6 serviettes de bain, 3 serviettes à main, 6 débarbouillettes
<b>Charge mixte</b>	2 taies d'oreiller, 1 t-shirt, 2 chemises, 1 pantalon
<b>Lainages</b>	2 pantalons, 2 chemises ou 3 robes
<b>Pressage permanent</b>	6 chemises ou 2 draps doubles et 2 taies d'oreiller, ou 2 draps simples et 2 taies d'oreiller

## Conseils pour séchage, programmes et température

Choisir le programme et la température corrects pour la charge.

La sécheuse fait culbuter la charge sans chaleur au cours des quelques dernières minutes de tous les programmes, ce qui permet de saisir les charges plus facilement.

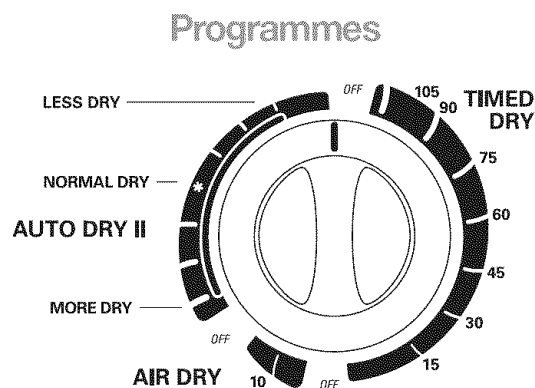
### Conseils de séchage

- Suivre les directives sur l'étiquette lorsqu'elles sont disponibles.
- Ajouter une feuille d'assouplissant de tissus, si désiré. Suivre les instructions sur l'emballage.
- Sortir la charge de la sécheuse aussitôt que le culbutage cesse pour réduire le froissement. Cette action est particulièrement importante pour les tissus à pressage permanent, les tricotés et les tissus synthétiques.

### Conseils pour les programmes et la température

- Sécher la plupart des charges en utilisant le réglage Normal Dry (\*) (séchage normal).
- Utiliser un réglage sans chaleur (air) pour le caoutchouc, le plastique ou les tissus sensibles à la chaleur.
- Sécher sur une corde à linge les tissus doublés ou laminés.

**REMARQUE :** Si vous avez des questions au sujet des températures de séchage pour diverses charges, consultez les directives sur l'étiquette du produit.



Bouton de commande des programmes

### Auto Dry II (séchage automatique II)

Utiliser ce programme pour sécher la plupart des charges. Le degré de séchage est déterminé par un thermostat qui réagit en fonction de la quantité d'humidité dans l'air évacué par la sécheuse. De l'air humide indique que les vêtements sont mouillés. De l'air sec indique que l'humidité a été enlevée.

Ce programme comprend une période de refroidissement de 10 minutes (environ) à la fin du programme pour que les vêtements soient plus faciles à manipuler et pour réduire les faux-plis.

Sécher la plupart des charges en utilisant le réglage Séchage Normal (\*). Quand le programme est terminé, vérifier le degré de séchage de la charge.

- Si la charge est plus sèche que vous le désirez, appuyer sur la touche LESS DRY (moins sec) la prochaine fois que vous séchez une charge semblable.
- Si la charge n'est pas aussi sèche que vous le désirez, compléter le séchage en utilisant le programme de séchage minuté. La prochaine fois que vous séchez une charge semblable, choisir un réglage plus proche de MORE DRY (plus sec).

**REMARQUE :** Le temps de séchage avec un programme automatique varie selon le type de tissu, la taille de la charge et le réglage de la température. Voir "Conseils pour séchage, programmes et température".

### Séchage minuté

Utiliser ce programme pour compléter le séchage si des articles sont encore humides après le programme Auto Dry II. Le séchage minuté est également utile pour des articles lourds et encombrants, tels que couettes, vêtements de travail et charges importantes qui nécessitent un temps de séchage long. Utiliser ce programme pour un temps de séchage avec chaleur allant jusqu'à 105 minutes. Le programme de chauffage est suivi par une période de refroidissement de 10 minutes (environ).

## Air Dry (Séchage sans chaleur)

Utiliser le programme de séchage sans chaleur pour les articles qui doivent être séchés sans chaleur, tels que le caoutchouc, le plastique et les tissus sensibles à la chaleur. Ce tableau donne des exemples d'articles qui peuvent être séchés au programme de séchage sans chaleur.

Type de charge	Durée en minutes*
Caoutchouc mousse - oreillers, soutiens-gorge rembourrés, jouets rembourrés	20 - 30
Plastique - rideaux de douche, nappes	20 - 30
Tapis à endos de caoutchouc	40 - 50
Plastique oléfinique, polypropylène, nylon diaphane	10 - 20

\*Régler à nouveau la durée si nécessaire pour permettre aux articles de sécher complètement.

## Utilisation du séchage sans chaleur

- Vérifier que les recouvrements sont bien cousus.
- Secouer et faire bouffer les oreillers à la main périodiquement pendant le programme.
- Sécher l'article complètement. Les oreillers en caoutchouc mousse sont lents à sécher.

## End of Cycle Signal (signal de fin de programme)

Votre laveuse émet un signal sonore lorsqu'un programme de séchage est terminé. Ce signal est utile lorsque vous séchez des articles qui doivent être retirés de la sècheuse dès la fin du programme pour éviter les faux plis.

# ENTRETIEN DE LA SÈCHEUSE

## Nettoyage de l'emplacement de la sècheuse

Éviter de laisser des éléments qui pourraient obstruer le débit de combustion et empêcher une bonne ventilation autour de la sècheuse.

## ⚠ AVERTISSEMENT



### Risque d'explosion

Garder les matières et les vapeurs inflammables, telle que l'essence, loin de la sècheuse.

Placer la sècheuse au moins 46 cm (18 po) au-dessus du plancher pour une installation dans un garage.

Le non-respect de ces instructions peut causer un décès, une explosion ou un incendie.

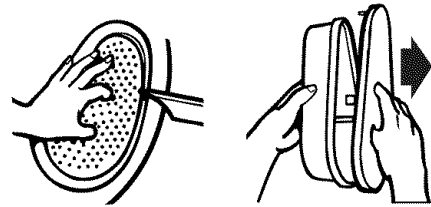
## Nettoyage du filtre à charpie

### Nettoyage avant chaque charge

Le filtre à charpie est situé à l'intérieur du tambour de la sècheuse, sur la paroi arrière. Le nettoyer avant chaque charge. Un filtre obstrué de charpie peut augmenter le temps de séchage.

### Nettoyage

1. Ouvrir la porte et tirer le filtre à charpie tout droit pour le sortir.



2. Presser légèrement le filtre à charpie en tirant le couvercle pour l'enlever.
3. Enlever la charpie du filtre en la roulant avec les doigts. Ne pas rincer ni laver le filtre pour enlever la charpie. La charpie mouillée s'enlève difficilement.
4. Replacer le couvercle sur le filtre à charpie. Remettre le filtre à charpie fermement en place et fermer la porte.

### IMPORTANT :

- Ne pas faire fonctionner la sècheuse avec un filtre à charpie dégagé, endommagé, bloqué ou manquant. Une telle action peut causer un échauffement ou des dommages pour la sècheuse et les tissus.
- Certaines serviettes fabriquées de fibres synthétiques et de fibres naturelles (mélange de polyester et de coton) peuvent produire plus de charpie que les autres serviettes, de telle sorte que le filtre à charpie de la sècheuse se remplit plus rapidement. Veiller à enlever la charpie du filtre avant et après le séchage des serviettes neuves.

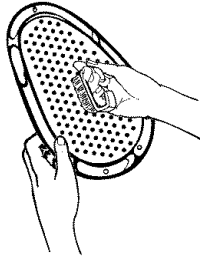
### Nettoyage au besoin

Les détergents et les assouplissants de tissus peuvent causer une accumulation de résidus sur le filtre à charpie. Cette accumulation peut augmenter les temps de séchage ou entraîner un arrêt de la sècheuse avant que la charge soit complètement sèche. Si de la charpie tombe du filtre, le filtre est probablement obstrué.

Nettoyer le filtre à charpie avec une brosse en nylon tous les 6 mois ou plus fréquemment s'il devient obstrué par suite d'une accumulation de résidus.

## Lavage

1. Enlever la charpie du filtre en la roulant avec les doigts.
2. Mouiller le filtre à charpie et le couvercle du filtre à charpie avec de l'eau chaude.
3. Mouiller une brosse en nylon avec de l'eau chaude et du détergent liquide. Frotter le filtre à charpie et le couvercle du filtre à charpie avec la brosse en nylon pour enlever l'accumulation de résidus.



4. Rincer à l'eau chaude.
5. Bien sécher le filtre à charpie et le couvercle avec une serviette propre. Replacer le filtre dans la sècheuse.

## Nettoyage de l'intérieur de la sècheuse

### Nettoyage du tambour de la sècheuse

1. Préparer une pâte avec un détergent à lessive en poudre et de l'eau très chaude.
2. Appliquer la pâte sur un linge doux.

#### OU

Appliquer un nettoyant liquide domestique ininflammable sur la surface tachée et frotter avec un linge doux jusqu'à ce que toute la teinture qui reste soit enlevée.

3. Essuyer complètement le tambour avec un linge humide.
4. Faire culbuter une charge de linge ou de serviettes propres pour sécher le tambour.

**REMARQUE :** Les vêtements contenant des teintures instables, tels que jeans en denim ou articles en coton de couleur, peuvent décolorer l'intérieur de la sècheuse. Ces taches ne sont pas nuisibles à votre sècheuse et ne tacheront pas les vêtements des charges subséquentes. Faire sécher les articles fabriqués d'une teinture instable en les tournant à l'envers pour empêcher le transfert de la teinture.

## Enlever la charpie accumulée

### De l'intérieur de la caisse de la sècheuse

Il faut retirer la charpie accumulée dans la caisse de la sècheuse tous les 2 ans ou plus souvent, selon l'utilisation de la sècheuse. Le nettoyage doit être effectué par une personne qualifiée.

### Du conduit d'évacuation

Il faut retirer la charpie accumulée tous les 2 ans ou plus souvent, selon l'utilisation de la sècheuse.

## Précautions à prendre pour les vacances et avant un déménagement

### Période de vacances

On ne doit faire fonctionner la sècheuse que lorsqu'on est présent sur place. Si l'utilisateur doit partir en vacances ou n'utilise pas la sècheuse pendant une période prolongée, il convient d'exécuter les opérations suivantes :

1. Débrancher la sècheuse ou déconnecter la source de courant électrique.
2. Nettoyer le filtre à charpie. Voir "Nettoyage du filtre à charpie".

### Précautions à prendre avant un déménagement

1. Débrancher le cordon d'alimentation électrique.
2. Veiller à ce que les pieds de nivellement soient fixés solidement à la base de la sècheuse.
3. Utiliser du ruban masque pour fixer la porte de la sècheuse.

# DÉPANNAGE

Essayer d'abord les solutions suggérées ici, ce qui vous évitera peut-être le coût d'une visite de service...

## Séchage des vêtements non satisfaisant

- **La sècheuse compacte fonctionne avec un wattage plus faible. S'attendre à des temps de séchage plus longs.**
- **Vérifier ce qui suit :**

A-t-on enlevé le fil de protection d'évacuation de l'arrière de la sècheuse?

Le filtre à charpie est-il obstrué de charpie?

Le conduit d'évacuation ou le clapet d'évacuation à l'extérieur est-il obstrué de charpie, restreignant le mouvement de l'air? Faire fonctionner la sècheuse pendant 5 à 10 minutes. Poser la main sous le clapet d'évacuation à l'extérieur pour vérifier le mouvement de l'air. Si vous ne ressentez pas de l'air en mouvement, nettoyer le système d'évacuation ou remplacer le conduit d'évacuation par un conduit en métal lourd ou flexible. Voir la section "Instructions d'installation".

Le conduit d'évacuation est-il écrasé ou déformé? Le remplacer par un conduit rigide en métal lourd ou par un conduit en métal flexible. Voir la section "Instructions d'installation".

A-t-on sélectionné un programme de séchage à l'air? Choisir le bon programme pour les types de vêtements à sécher. Voir la section "Conseils pour séchage, programmes et température".

Des feuilles d'assouplissant de tissus bloquent-elles la grille de sortie? N'utiliser qu'une seule feuille d'assouplissant et ne l'utiliser qu'une seule fois.

Le programme automatique se termine-t-il trop tôt? Ce programme se terminera tôt si la charge de la sècheuse n'est pas en contact avec les bandes du détecteur. Mettre la sècheuse de niveau. Voir la section "Instructions d'installation".

- **La sècheuse se trouve-t-elle dans une pièce où la température ambiante est inférieure à 45°F (7°C)?**  
Le bon fonctionnement des programmes de la sècheuse nécessite une température ambiante supérieure à 45°F (7°C).
- **De l'eau de rinçage froide a-t-elle été utilisée? La charge était-elle très mouillée?**  
Prévoir des durées de séchage plus longues pour les articles rincés à l'eau froide et les articles qui retiennent l'humidité (cotons).
- **La charge est-elle trop grosse et encombrante pour sécher rapidement?**  
Séparer la charge pour qu'elle culbute librement.

---

### Sècheuse en panne

---

- **Vérifier ce qui suit :**  
La sècheuse est branchée sur une prise reliée à la terre à trois alvéoles.  
Un fusible est-il grillé ou un disjoncteur s'est-il déclenché?  
A-t-on utilisé un fusible ordinaire? Utiliser un fusible temporisé.  
La porte de la sècheuse est-elle bien fermée?  
A-t-on bien enfoncé le bouton de mise en marche (START)?  
A-t-on sélectionné un programme?

---

### Bruits inhabituels

---

- **La sècheuse n'a-t-elle pas été utilisée depuis un certain temps?**  
Si la sècheuse n'a pas été utilisée depuis quelque temps, il est possible qu'elle émette des bruits saccadés au cours des premières minutes de fonctionnement.

---

### Charpie sur la charge

---

- **Le filtre à charpie est-il obstrué?**  
Nettoyer le filtre à charpie. Vérifier le mouvement de l'air.
- **La charge est-elle bien triée?**  
Trier les articles causant la charpie (serviettes, chenille) des articles qui retiennent la charpie (velours côtelé, synthétiques). Trier également en fonction des couleurs.
- **La charge est-elle trop grosse ou trop lourde?**  
Sécher des charges plus petites de sorte que la charpie puisse être dirigée vers le filtre à charpie.
- **La charge a-t-elle été séchée à l'excès?**  
Utiliser les bons réglages pour le type de charge. Un séchage excessif peut provoquer de l'électricité statique, attirant la charpie. Voir la section "Conseils pour séchage, programmes et température".
- **A-t-on laissé du papier ou des mouchoirs en papier dans les poches?**
- **Prend-on le boulochage pour de la charpie?**  
Le boulochage (duvet à la surface) est causé par l'usure normale et le lavage.

---

### Taches sur la charge ou décoloration

---

- **L'assouplissant de tissus pour sècheuse a-t-il été bien utilisé?**  
Ajouter les feuilles d'assouplissant de tissus au début du programme. Les feuilles d'assouplissant de tissus ajoutées à une charge partiellement sèche peuvent tacher les vêtements.
- **A-t-on placé des articles sales dans la sècheuse?**  
Les articles doivent être propres avant d'être séchés.
- **Les articles ont-ils été bien triés?**  
Séparer les couleurs pâles des couleurs foncées. Séparer les articles grand teint des articles qui déteignent.

---

### Rétrécissement des articles

---

- **La sècheuse a-t-elle été surchargée?**  
Faire sécher de plus petites charges qui peuvent culbutter librement.
- **Le linge a-t-il été séché à l'excès?**  
Vérifier l'étiquette d'entretien du fabricant. Adapter le réglage de la sècheuse au type de charge. Voir la section "Conseils pour séchage, programmes et température".

---

### Charges avec faux plis

---

- **La charge a-t-elle été retirée de la sècheuse à la fin du programme?**
- **La sècheuse a-t-elle été surchargée?**  
Faire sécher de plus petites charges qui peuvent culbutter librement.
- **Le linge a-t-il été séché à l'excès?**  
Vérifier l'étiquette d'entretien du fabricant. Adapter le réglage de la sècheuse au type de charge. Voir la section "Conseils pour séchage, programmes et température".

---

### Odeurs

---

- **Avez-vous récemment employé peinture, teinture ou vernis dans la pièce où est installée votre sècheuse?**  
Si c'est le cas, aérer la pièce. Une fois les odeurs ou émanations disparues, laver et sécher à nouveau les vêtements.
- **La sècheuse est-elle utilisée pour la première fois?**  
Le nouvel élément de séchage électrique peut émettre une odeur. L'odeur disparaîtra après le premier programme.

---

### Endommagement des vêtements

---

- **Vérifier ce qui suit :**  
Les fermetures à glissière, les boutons pressions et les agrafes ont-ils été laissés ouverts?  
Les cordons et les ceintures ont-ils été attachés pour empêcher l'emmêlement?  
A-t-on suivi les instructions de l'étiquette d'entretien?  
Les articles étaient-ils endommagés avant le séchage?

# Get it fixed, at your home or ours!

## Your Home

For repair – **in your home** – of **all** major brand appliances, lawn and garden equipment, or heating and cooling systems, **no matter who made it, no matter who sold it!**

For the replacement parts, accessories and owner's manuals that you need to do-it-yourself.

For Sears professional installation of home appliances and items like garage door openers and water heaters.

**1-800-4-MY-HOME® (1-800-469-4663)**

Call anytime, day or night (U.S.A. and Canada)

[www.sears.com](http://www.sears.com)    [www.sears.ca](http://www.sears.ca)

---

## Our Home

For repair of carry-in items like vacuums, lawn equipment, and electronics, call or go on-line for the location of your nearest **Sears Parts & Repair Center.**

**1-800-488-1222**

Call anytime, day or night (U.S.A. only)

[www.sears.com](http://www.sears.com)

---

To purchase a protection agreement (U.S.A.) or maintenance agreement (Canada) on a product serviced by Sears:

**1-800-827-6655** (U.S.A.)

**1-800-361-6665** (Canada)

---

Para pedir servicio de reparación a domicilio, y para ordenar piezas:

**1-888-SU-HOGAR<sup>SM</sup>**

(1-888-784-6427)

Au Canada pour service en français:

**1-800-LE-FOYER<sup>MC</sup>**

(1-800-533-6937)

[www.sears.ca](http://www.sears.ca)

# SEARS



## Free Manuals Download Website

<http://myh66.com>

<http://usermanuals.us>

<http://www.somanuals.com>

<http://www.4manuals.cc>

<http://www.manual-lib.com>

<http://www.404manual.com>

<http://www.luxmanual.com>

<http://aubethermostatmanual.com>

Golf course search by state

<http://golfingnear.com>

Email search by domain

<http://emailbydomain.com>

Auto manuals search

<http://auto.somanuals.com>

TV manuals search

<http://tv.somanuals.com>