

Owner's Manual



CENTRAL HUMIDIFIER 3000

18 Gallon Output Per Day

Humidifies up to 3,000 sq. ft.

Model No. 303.9380612



CAUTION:

Before using this product, read this manual and follow all its Safety Rules and Operating Instructions

- Safety
- Installation
- Operation
- Maintenance
- Repair Parts
- Español

Sears, Roebuck and Co., Hoffman Estates, IL 60179 U.S.A.
www.sears.com

TABLE OF CONTENTS

Warranty2	Water Supply10
Safety Instruction3	Operation12
Before You Start3	Water Level Check12
Understanding Humidity4	Humidistat12
Installation.....5	Maintenance13
Selecting a Location5	Adjusting the Float14
Humidistat7	Summer Shutdown / Fall Startup14
Standard Wiring Method.....8	Troubleshooting15
Alternate Wiring Methods9	Repair Parts16 & 17

FULL ONE YEAR WARRANTY ON HUMIDIFIER

If this humidifier fails due to a defect in material or workmanship within one year from the date of purchase, Sears will repair it free of charge.

The media pad is an expendable part, and its replacement is not covered by this warranty.

Warranty service is available in the United States by calling Sears at 1-800-4-MY-HOME®.

This warranty gives you specific legal rights, and you may also have other rights, which vary, from state to state.

Sears, Roebuck and Co., Hoffman Estates, IL 60179

MASTER PROTECTION AGREEMENT

Congratulations on making a smart purchase. Your new Kenmore® product is designed and manufactured for years of dependable operation. But like all products, it may require preventive maintenance or repair from time to time. That's when having a Master Protection Agreement can save you money and aggravation.

Purchase a Master Protection Agreement now and protect yourself from unexpected hassle and expense.

The Master Protection Agreement also helps extend the life of your new product. Here's what's included in the Agreement:

- **Expert service** by our 12,000 professional repair specialists.
- **Unlimited service and no charge** for parts and labor on all covered repairs.
- **"No-lemon" guarantee** – replacement of your covered product if four or more product failures occur within twelve months.
- **Product replacement** if your covered product can't be fixed.

- **Annual Preventive Maintenance Check** at your request – no extra charge.
- **Fast help by phone** – phone support from a Sears technician on products requiring in-home repair, plus convenient repair scheduling.
- **Power surge protection** against electrical damage due to power fluctuations.
- **Rental reimbursement** if repair of your covered product takes longer than promised.

Once you purchase the Agreement, a simple phone call is all that it takes for you to schedule service. You can call anytime day or night, or schedule a service appointment online.

Sears has over 12,000 professional repair specialists, who have access to over 4.5 million quality parts and accessories. That's the kind of professionalism you can count on to help prolong the life of your new purchase for years to come. Purchase your Master Protection Agreement today!

Some limitations and exclusions apply. For prices and additional information call 1-800-827-6655.

PRODUCT RECORD

In the space below, record the model and serial numbers and the date of your purchase. You will find the model and serial number on a silver sticker located on the side of the unit. Keep this manual and your Sears sales receipt in a safe place for future reference.

Model No. _____

Serial No: _____

Date of Purchase: _____

SAFETY INSTRUCTIONS

RULES FOR SAFE INSTALLATION & OPERATION

Read these rules and the instructions carefully. Failure to follow the rules and instructions could cause bodily injury and/or property damage.

- Check your local building codes and utility standards. The installation must comply with their rules.
- Ground the humidifier to prevent electric shock.
- Follow a regular service and maintenance schedule.
- Always shut off electricity and water to humidifier before servicing.
- When the furnace blower is used for air conditioning, the humidifier switch should be turned "OFF."
- Never oil any part of the humidifier.
- The humidifier must not be installed in an area where freezing is possible.

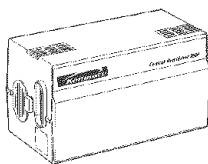
WARNING indicates a potentially hazardous situation which, if not avoided, could result in death or injury.

CAUTION indicates a potentially hazardous situation which, if not avoided, may result in minor or moderate injury. It may also be used to alert against unsafe practices.

BEFORE YOU START

KENMORE 3000 PRODUCT FEATURES:

- Self contained 120V 18 gallon model
- Designed for homes up to 3000 sq. ft.
- Works with Heat Pumps
- Quick electric and water disconnect
- Slide-out reservoir and media wheel with reusable liner
- Substantial water savings – no drain required
- Automatic water feed
- Convenient ON/OFF switch



CARTON CONTENTS

- Central Humidifier 3000
- Hardware Package
 - Screw (7): Fastens Plenum Stiffener to the Supply Air Plenum
 - Conduit Connectors (6): Connects wires together during wiring steps
 - Brass Inserts (2): Regulates water flow
 - Brass Compression Sleeve (1): Aids in connection of plastic tubing to the Quick Disconnect Socket
 - Capped Fastener: Secures upper case to Plenum Stiffener
- Saddle Valve Package
 - Saddle Valve
 - Brass Compression Sleeve
 - Brass Compression Nut
 - Brass Insert
 - Rubber Gasket
 - Screws (2)
 - Nuts (2)
- Humidistat (Humidity Control) Package
 - Humidistat
 - Gasket
 - Mounting Screws (2)
 - Operating Instructions
 - Wiring Diagram
- 1/4" Plastic Tubing (10 ft.)
- Float
- Float Arm
- Quick Disconnect Socket
- Plenum Stiffener
- Maintenance Label
- Owner's Manual

ACCESSORIES AND ATTACHMENTS

These accessories and attachments can be purchased at Sears or by contacting Sears Parts: **1-800-366-7278** or online at **www.sears.com**.

- Reservoir Liner (Part No. 215682-01)
- Remote Installation Kit (Sears Stock No. 9372)
- Replacement Media Pad (Sears Stock No. 42-9336)
- Sears All-Purpose Humidifier Cleaner (Sears Stock No. 42-14713)

TOOLS AND MATERIALS NEEDED

- Safety glasses
- Straight edge ruler
- Pencil or grease pencil
- Hand drill or grounded electric drill
- Drill bits, 5/32", 1/8"
- Tin snips or metal cutting saw
- Screwdriver (flat point and phillips, medium size)
- File
- Level
- Hammer
- Small adjustable wrench
- Center punch
- Electrical wiring supplies (120V) as needed and of the type required by local codes.
- Materials needed for an alternate installation, use remote mounting kit, Sears Stock No. 9372 (see *Typical Remote Installations, Page 5*).

DO-IT-YOURSELF CHECK LIST

If you feel the following operations are within your skills, you should have no difficulty installing this humidifier.

- Cutting and drilling sheet metal.
- Using hand tools: screwdriver, wrench, etc.
- Hooking up line voltage electrical connections.

UNDERSTANDING HUMIDITY

THANK YOU!

Thank you for selecting a Sears Humidifier. It will provide years of service if you give it a little care.

Humidity can be puzzling. It cannot be seen, heard, touched, smelled or tasted. Many people do not understand what a humidifier will or will not do.

Probably the best way to judge whether the humidity is too high, too low, or about right is to watch your windows. If they are heavily fogged you most likely have too much. If there is no moisture on them at all, especially in the corners, you have too little.

NOTE: Moisture will not normally form on thermopane or when storm windows are used. If there is some moisture in the window corners and along the edges, the humidity is just about right. This is a good rule of thumb, if you do not have an expensive piece of testing equipment. Your comfort is another good check.

TYPICAL QUESTIONS ASKED

1. Why do moisture requirements vary from home to home?

Requirements depend on the amount and dryness of air to be humidified. The larger and more loosely constructed the home, the greater the quantity of moisture required.

2. How can I best check my home's relative humidity?

First give your humidifier time to build up the humidity to an acceptable level. Instruments are available to measure relative humidity, but from a practical standpoint, your comfort is the best guide. You cannot depend on table top or wall hung dial gauges.

3. How long will it take my humidifier to build up the humidity in my home?

Much depends on the outside temperature, time of year, home construction, and how dried out the home has become. In some cases, it may take a week or more.

4. What are some of the common things that cause higher than average air leakage in the home, therefore causing low humidity?

- A. Jalousie windows
- B. Open fireplace dampers
- C. Cracks around windows and doors
- D. Open doors and windows
- E. Unusually large attic or foundation vents
- F. Range hoods and bath fans

5. What else causes static shock besides low humidity?

Some types of carpets tend to create more static than others. While the proper humidity level will reduce the static level, it may not eliminate static entirely.

6. What is the safe humidity level for my home?

In order to determine the safe relative humidity for homes exposed to various low outside temperatures, NESCA* conducted tests and published recommended humidity levels for various outdoor temperatures. These are shown in the chart below. These levels help prevent damage to your home such as water running down the walls or even building up inside the walls.

The safe indoor relative humidity percentage is not a fixed number but will increase or decrease as the outdoor temperatures rise or fall.

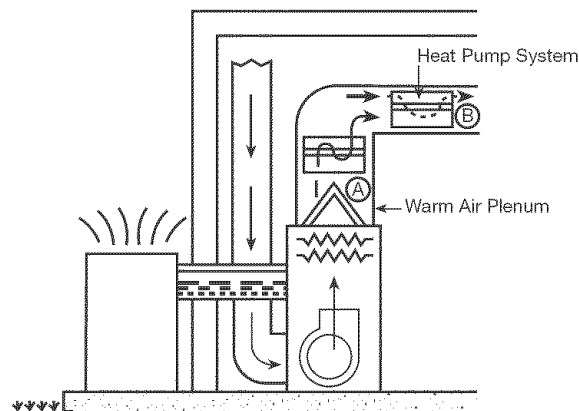
Outside Temperatures	Maximum Safe Recommended Indoor Relative Humidity
-10° F	20%
0° F	25%
10° F	30%
20° F	35%
30° F	35%

*NESCA = National Environmental Systems Contractors Association.

7. Can I install this Sears Humidifier with a heat pump?

Yes, you can! This is a normal installation using this Sears Furnace Mount Humidifier. No special accessory is required. The diagram below shows the functioning of the unit and also its placement on the plenum. Installed with a heat pump, it will evaporate 11 gallons, for a well insulated house up to 2400 sq. ft.

To install with a heat pump, the humidifier should be mounted on a warm air plenum (A) or duct (B) of a heat pump system. Some of the warm air is drawn from the duct, forced through the wetted media and returned to the same duct. A self-contained blower moves the air from the duct through the humidifier and back into the same duct. The heat pump air delivery across the coil is not disturbed, or altered, in any way. The heat pump, therefore, continues to operate at maximum efficiency.



INSTALLATION

SELECTING A LOCATION

Carefully study the location that you choose for your humidifier. Install the humidifier so that if the humidifier or any connection should leak, the water will not cause damage. Under no condition is Sears, Roebuck and Co., and the manufacturer, to be held liable for any water damage in connection with this humidifier.

NOTE: Never install humidifier in attic or crawl space where freezing may occur or leaking will cause water damage.

Measure the open area on the furnace supply air plenum (Fig. 1). You will need a space 20" wide and 13" high. The humidifier will mount on a supply air plenum 13½" wide by overhanging the sides. In addition, you should have 12" of working area on each side to make the electrical and water connections.

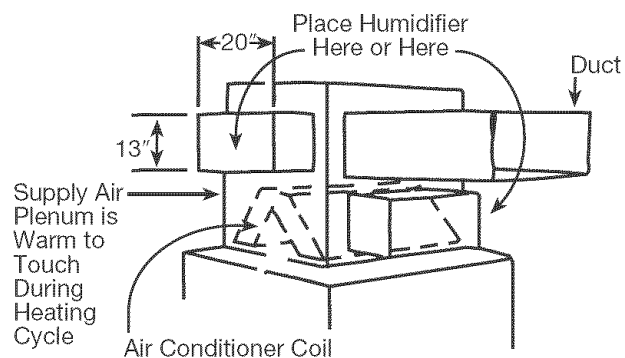


Fig. 1

NOTE: The easiest and quickest way to service the humidifier will be from the front. To service from the front you will need 23" of space in front of the plenum and only 2" of space below the humidifier (Fig. 2).

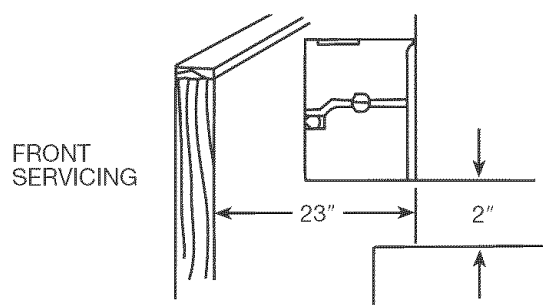


Fig. 2

If you do not have 23" of space in front, the humidifier must be serviced from the bottom. Servicing from the bottom will require 7½" clearance (Fig. 3).

If you do not have the space needed, or have a counterflow furnace, refer to the installations shown in Fig. 4, 5 and 6.

NOTE: If you have an air conditioning coil in your supply air plenum, install the humidifier above or to the slope side of the coil.

CAUTION: Be careful not to damage coil when cutting into plenum (Fig. 1).

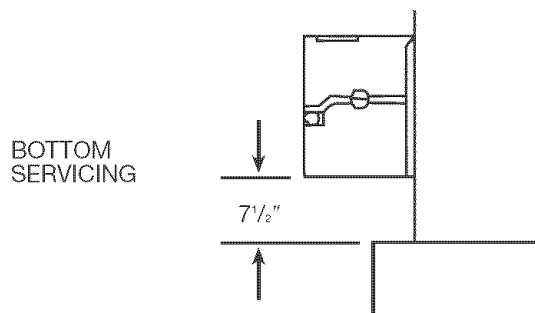


Fig. 3

TYPICAL REMOTE INSTALLATION

In some cases it is impossible to install the humidifier directly to the supply air plenum (plenum too small, horizontal attic furnace, etc.). For remote mounting, see Fig. 4. Connect the humidifier to the supply air plenum using the Remote Installation Kit – Sears Stock No. 9372.

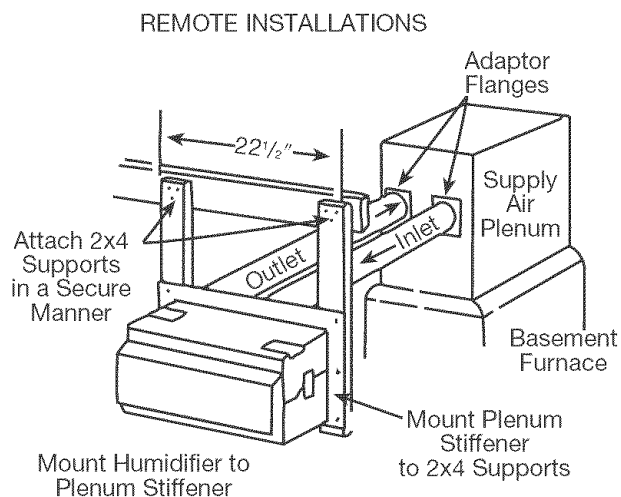


Fig. 4

HORIZONTAL FURNACE IN ATTIC OR CRAWL SPACE

Always insure that the humidifier is located in the living area (closet or utility room) to easily access for maintenance/servicing and to prevent freezing or water damage (Fig. 5).

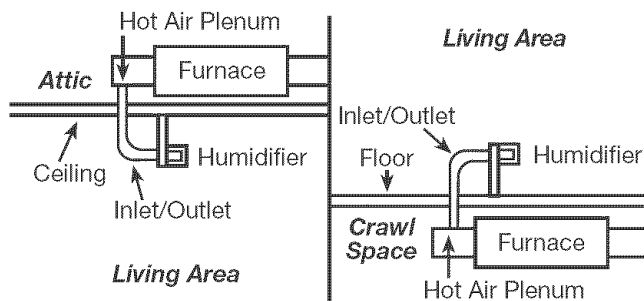


Fig. 5

COUNTERFLOW FURNACE INSTALLATION

For installation of your humidifier on a counterflow furnace, see Fig. 6. Connect the humidifier to the supply air plenum using Remote Installation Kit, Sears Stock No. 9372.

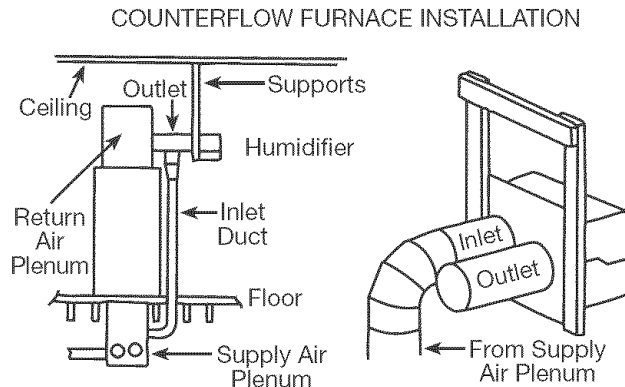


Fig. 6

GRAVITY FURNACE INSTALLATION

The humidifier works well on gravity furnaces because of its self-contained blower system. Use the Remote Installation Kit, Sears Stock No. 9372. The humidifier must be at least 6" away from the plenum, due to the higher operating temperature of the furnace.

NOTE: Furnace temperatures above 250°F may cause failure of fiberglass parts.

Fiber Plenum Ducts

NOTE: The mounting screws supplied are for standard installation on *sheet metal* plenum ducts.

If you have *fiber* plenum ducts, install the plenum stiffener and components with thru-bolts, nuts, and washers (not supplied). If necessary, reinforce the humidifier mounting area on fiber ducts with sheet metal and provide additional bracing as required to support the weight of the humidifier and water. (This fiber duct installation hardware is not supplied and must be purchased from your local hardware store.)

You may also consider using the remote mount installation if you have fiber ducts. Purchase the Remote Installation Kit separately from Sears, Stock No. 9372.

1. The Plenum Stiffener is mounted on the supply air plenum. Mark a level line at least 2" above the top of the furnace on the selected surface, if front service method (Fig. 2) is used. If the humidifier is to be serviced from the bottom (Fig. 3), mark a level line at least 7½" above the top of the furnace. Hold stiffener against the plenum with the bottom edge on a level line and bent edge flanges towards you. Using a pencil, mark the location of all holes except hole "A" on plenum (Fig. 7).

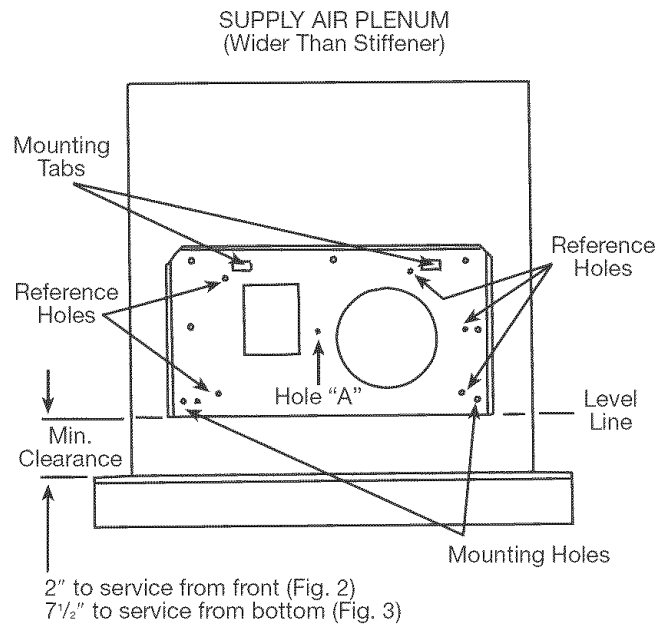


Fig. 7

If plenum is narrower than stiffener:

The stiffener can be mounted on a plenum as narrow as 13½". The stiffener sides will extend past the plenum (Fig 8). Begin installation as follows:

- New mounting holes will have to be drilled. Drill the new holes only as far from the edge as necessary. Use a 1/8" drill bit.
- Mark outline of rectangle as shown in Fig 8.
- Cut out this area of supply air plenum. If edges are rough, file them smooth.
- Proceed to step 6.

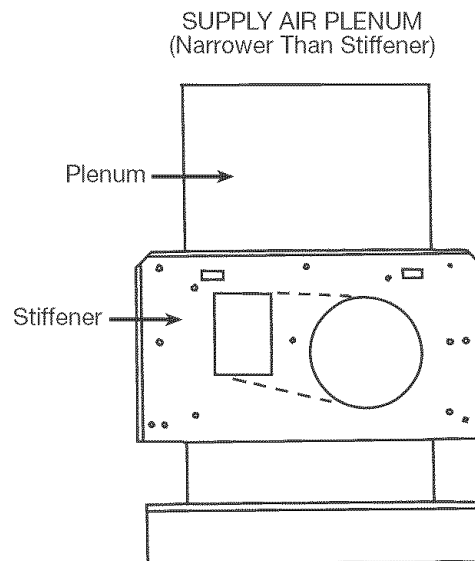


Fig. 8

If plenum is wider than stiffener:

2. The five reference hole marks you've made on the plenum outline the area that must be cut out. Mark straight lines connecting the five points.

WARNING: Wear safety glasses! Be sure not to drill or cut into air conditioner coil or tubing! If electric drill is used, be sure it is properly grounded.

3. Drill or punch a large hole in one corner of the area to be cut out. This will allow you to insert tin snips or a metal saw.
4. Cut along the lines connecting the five points. If any of the cut edges are rough, file them smooth.
5. Drill the remaining holes marked on the plenum with a 1/8" drill bit.
6. Mount the stiffener with the mounting tabs facing out toward you. Use the seven sheet metal screws, supplied, to fasten the stiffener. Make sure the stiffener is flush with the plenum and is airtight. Seal around the edge with caulking (not furnished) if necessary.
7. Using the two finger grips (Fig. 9) on the lower edge of the front panel, simply lift the front panel about 1/8" straight up, swing the lower edge out, pull down until the front panel is free. Remove lower rod screw (Fig. 9).

Disconnect media motor wiring at the electrical disconnect. Grasp both ends of the electrical disconnect and simply pull apart (Fig. 9).

WARNING: Do not pull on wires to separate electrical connector.

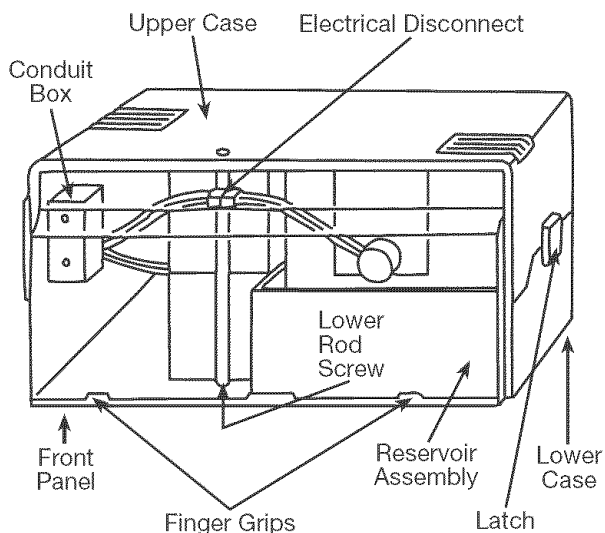


Fig. 9

Remove the reservoir assembly. Remove the lower case from the humidifier by unfastening the latches on both sides and removing the lower rod screw. Set the lower case, reservoir media wheel assembly, and front panel aside. Remove the humidistat from the lower case.

8. Hang the upper case assembly on plenum stiffener mounting tabs (Fig. 7). Tabs may have to be bent out slightly to fit into the slots in the back of the upper case assembly. Secure the upper case to the stiffener by pressing the capped fastener (No. 47, Page 16) through the back of the humidifier and into hole "A" (Fig. 10).

NOTE: It is very important that this fastener be used. If the upper case is not attached with the fastener, it could be dropped and damaged during routine maintenance.

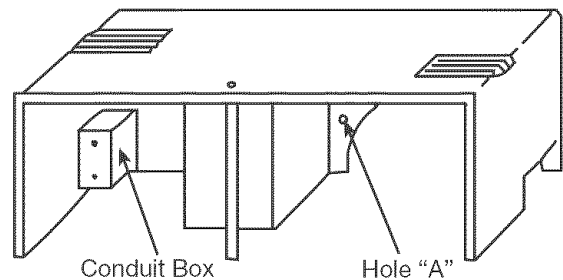


Fig. 10

HUMIDISTAT

1. Locate the humidistat on the return (cold) air plenum (Fig. 11). **DO NOT** install the humidistat on the supply (hot) air plenum because the humidistat cannot accurately measure indoor relative humidity and will cause the humidifier to function improperly.

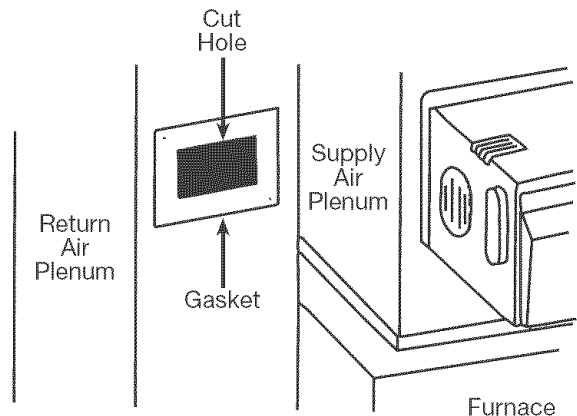


Fig. 11

2. The humidistat mounts in a horizontal position. Using gasket as a template, mark the location of the two mounting holes and the opening for the humidistat on the return air plenum.
3. Drill 1/8" holes for two mounting screws. Cut out the opening for the humidistat.

4. Peel off the paper from the back of the gasket and stick the gasket on the return air plenum.
5. Remove the humidistat knob by gently pulling straight out. Remove the cover screw and the cover (Fig. 12).

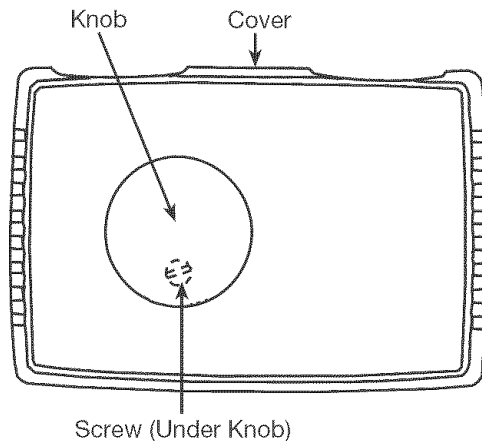


Fig. 12

6. Mount the humidistat on the return air plenum with the screws, furnished.
7. Follow the wiring diagram for the standard or alternate method of wiring you select. Use an approved electrical cable containing copper conductors only. Make all connections inside the junction boxes and use approved strain relief or conduit connectors to secure the cable to the junction boxes per local code.
8. For maximum safety, the **humidifier must be grounded**. Use separate wire or ground to the grounded 120V electric supply junction box by using electrical cable with ground wire, and connecting to the green wire in the humidistat junction box and the humidifier junction box.
9. **TEST** – Replace the cover on the humidifier conduit box. Replace the cover and knob on the humidistat. Turn electrical power on at the fuse box, turn the humidifier switch on (it is on the left side of the upper case exterior) and turn humidistat knob to “TEST” position to check for humidifier blower operation. The furnace may have to be running for the humidifier blower to operate depending on electrical wiring method used. If the humidifier blower does not start, turn off electricity at the fuse box. Go over each step in the wiring process. Retrace all the wiring. Make sure everything is connected properly.

CAUTION: Do not leave the humidistat set to the “TEST” position.

After the humidifier blower operation has been successfully tested, turn off electricity at the fuse box and continue with water supply installation.

STANDARD WIRING METHOD

To connect the wiring it is necessary to remove the cover of the conduit box located on the left side of the upper case assembly (Fig. 13).

When the humidifier is wired using the standard wiring method, it operates whether the furnace blower is running or not, (you will hear the humidifier run). It sounds much like your furnace because a blower is used to provide maximum humidity from this humidifier. This air movement sound is normal.

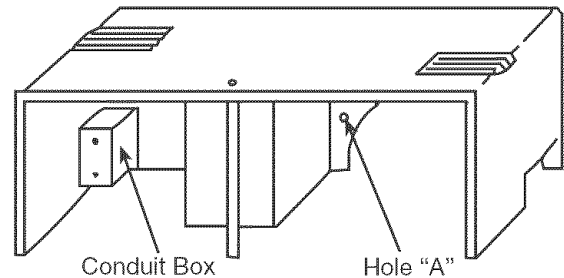


Fig. 13

CAUTION: Connect the humidifier to 120V, 60 Hz A.C. electric power only. Turn off the power at the fuse box before making any line voltage connections. Follow local electrical codes. Be sure proper grounding procedure is followed. If in doubt, consult a competent electrician.

DIRECT LINE WIRING METHOD FOR ANY FURNACE

The easiest wiring method for the do-it-yourself installer is direct line wiring. The humidifier will run whenever the humidistat calls for humidity, whether the furnace blower is running or not (Fig. 14).

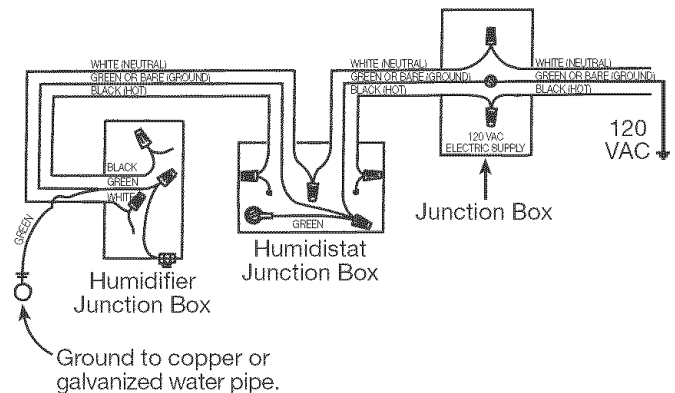


Fig. 14

ALTERNATE WIRING METHODS

The alternate wiring methods are for your humidifier to operate only when the furnace blower is on and the humidistat is calling for humidity. The method you select will depend on your furnace control system. Find the type of system you have and follow that method. Also, if the method selected requires a sail switch or relay, this item must be purchased separately.

Alternate Method – 1

For ANY Forced Air Furnace

Humidifier runs only when furnace blower is running and the humidistat calls for additional humidity. The humidifier must be turned off manually during cooling season (Fig.15).

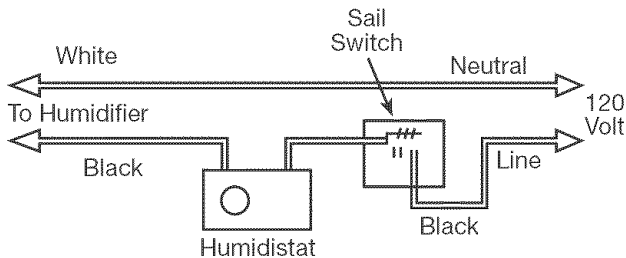


Fig. 15

Install Sail Switch In Return Air Plenum (use normally open contacts). Purchase this accessory separately if needed. Available from Sears Product Services: Phone: 1-800-366-7278 Specify Division 42 PLS 042 Part No. 9114

Alternate Method – 2

Any furnace with single speed, 120 VAC Blower

Humidifier runs only when furnace blower is running and the humidistat calls for additional humidity. It's not necessary to turn humidifier OFF during the summer (Fig. 16).

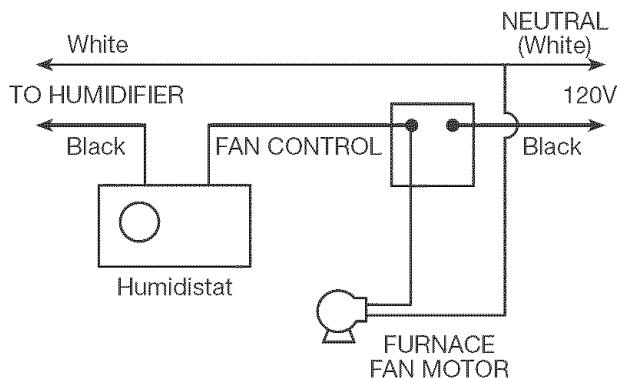


Fig. 16

Alternate Method – 3

Any furnace/air conditioning system with multi-speed furnace blower

Humidifier runs only when furnace blower is running and the humidistat calls for additional humidity. Humidifier is automatically "off" during cooling season. With the thermostat in the "FAN ON" position, the humidifier will not operate (Fig. 17).

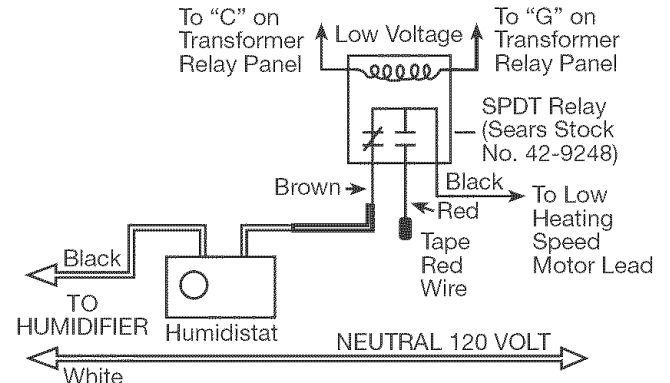


Fig. 17

Alternate Method – 4

Sears "15" and "20" furnace with electrical comfort center

Humidifier runs only when the furnace blower is running and the humidistat call for additional humidity. The humidifier must be turned off manually during the cooling season (Fig. 18).

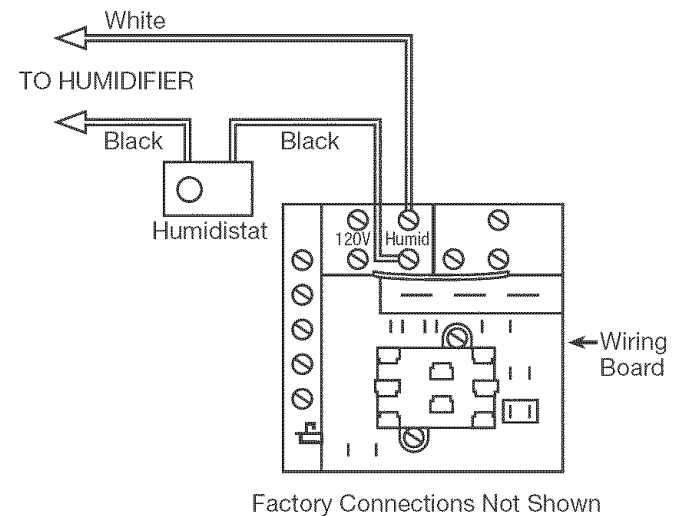


Fig. 18

NOTE: The humidifier and humidistat have a green ground wire which must be connected to ground (refer to Page 8, Step 8 of Humidistat).

WATER SUPPLY

1. Water for the humidifier must be taken from a nearby cold water line. Turn off the water supply. Drain by opening a faucet at a lower level of the line.
2. Position the saddle valve on the water line as close to the humidifier as possible. You have been supplied with 10 feet of 1/4" plastic tubing.

NOTE: When measuring the distance from the saddle valve location to the humidifier, keep in mind that the tubing must be supported; therefore, it must run along the ceiling and walls. Measure along the path that the tubing will follow.

3. Back out the piercing pin by turning the "T" handle counter clockwise and clamping the saddle valve body securely on the water line with a rubber gasket positioned as shown in Fig. 19. On galvanized or copper pipe over 5/8", first drill a 5/32" diameter hole in the pipe.

WARNING: For safety, use a hand drill or grounded electric drill.

4. Turn the handle clockwise until it has pierced the water line and valve is completely closed (Fig. 19).

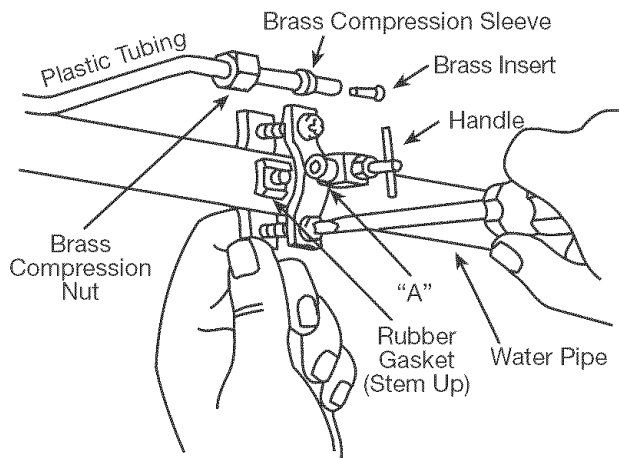


Fig. 19

5. Partially uncoil the tubing. Slide the brass compression nut over the tubing. The threads in the nut must face the tubing end. Place the brass compression sleeve as shown in (Fig. 19). Slip brass insert into end of the tubing.
6. Insert the tubing end into the saddle valve at threaded stem "A" (Fig. 19) as far as it will go. Thread the brass compression nut onto the valve, then tighten gently with a wrench. Take care not to over-tighten the nut.
7. Unwind the rest of the tubing. Take care not to kink it. Run the tubing along flat surfaces to the humidifier. Support the tubing as needed to avoid contact with furnace.

8. Close previously opened faucet. Turn on the main water supply. Place a pail under the end of the tubing. Open the saddle valve. Flush the line. Make sure there are no leaks along the line or at the valve. Turn valve off.
9. Reassembly of humidifier case.

a. **For Front Servicing:**

Attach the lower case making sure both side latches are secure. Slide the reservoir assembly (Fig. 20) into case, connect the electrical disconnect for the media motor. Install lower rod screw (Fig. 9).

b. **For Bottom Servicing:**

Place the reservoir assembly (Fig. 20) into the lower case and attach the lower case, making sure both side latches are secure. Connect the media motor electrical disconnect. Install lower rod screw (Fig. 9)

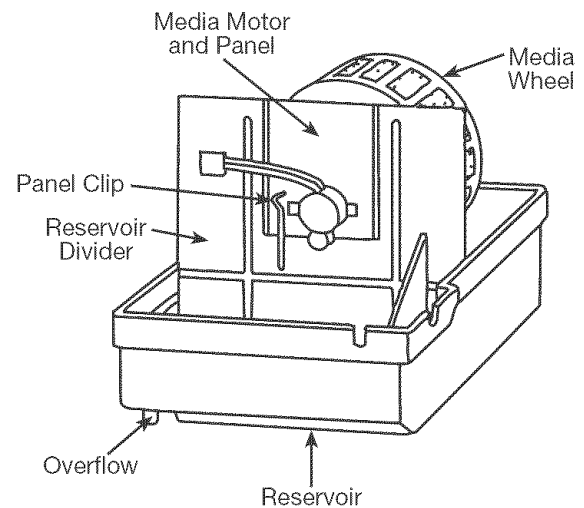


Fig. 20

NOTE: Make sure top edge of media motor panel and reservoir divider are firmly seated with panel clip installed (Fig. 21 & 22).

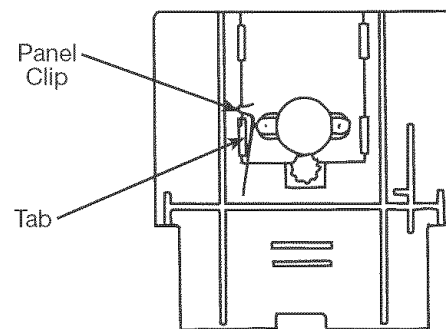


Fig. 21

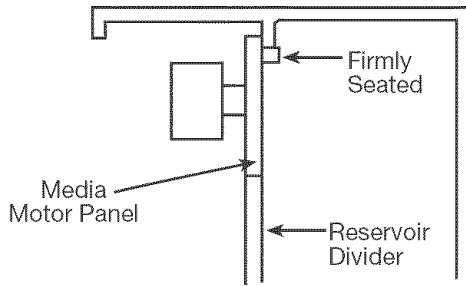


Fig. 22

10. Remove the quick disconnect socket, brass compression nut, and brass sleeve from hardware bag (Fig. 23). With water supply tubing cut to the proper length, slide the brass compression nut and sleeve over the tubing as described in Step 5, Page 10. Slip the brass insert into the end of the tubing.
11. Insert the tubing end into the quick disconnect socket as far as it will go and hold it there. Thread the brass compression nut onto the quick disconnect socket, then tighten using two wrenches, one to hold quick disconnect socket and one to tighten nut. Do not over-tighten nut (Fig. 23).

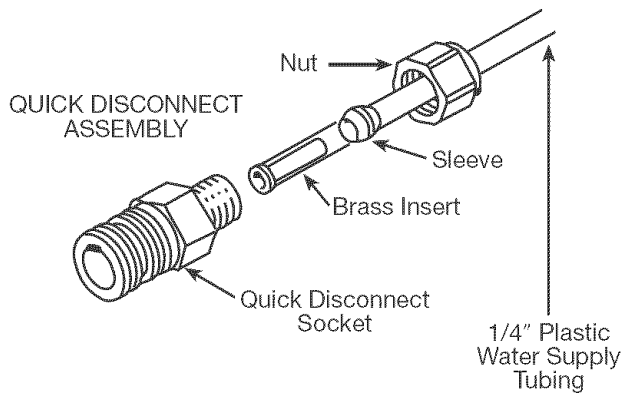


Fig. 23

12. Connect the quick disconnect socket to the plug on the valve body (Fig. 24).

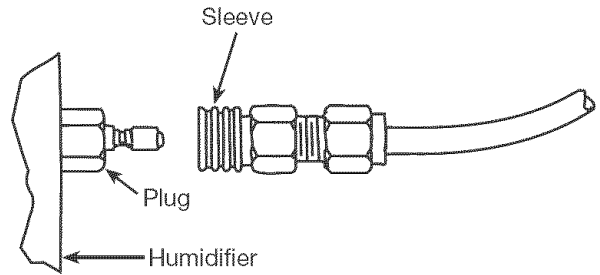


Fig. 24

To connect, pull back sleeve, push socket onto plug, release sleeve.

To disconnect, pull back sleeve, unlocking quick disconnect and sealing water supply line, separate from the plug.

13. **It is best to install an overflow line.** Local building codes may require it. The overflow hole is in the bottom left front corner of the reservoir (Fig. 20). Use 1/2" inner diameter rubber or plastic tubing to connect to drain. (Tubing not supplied. Purchase at your local hardware store.)

OPERATION

WATER LEVEL CHECK

1. Turn on the water supply at the saddle valve. Water should now flow into reservoir. If not, check that saddle valve is open. Check for leaks at *all* connections.
2. Allow Reservoir to fill and check that water level is correct. The water level should be between the two marks on the front side of the reservoir divider (Fig 25). If the water level is not between the two marks a float adjustment may be required. Refer to the Adjusting Float instructions found in the Maintenance Section on Page 13 to adjust float.

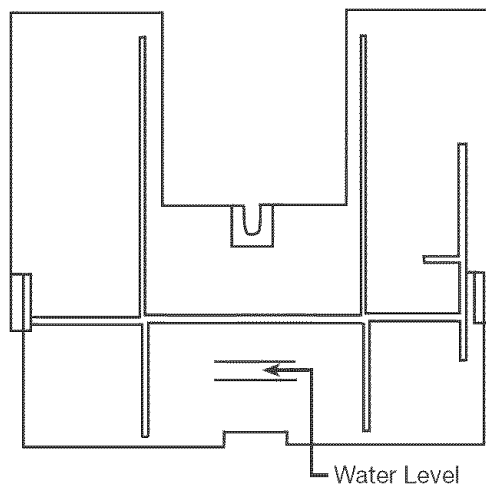


Fig. 25

3. **Test** – Turn on the electricity at the fuse box, turn the humidifier power switch to the “ON” position and turn humidistat knob to the “TEST” position. The humidifier blower should operate and the media wheel should rotate slowly at approximately one (1) revolution per minute. The furnace may have to be running for the humidifier to operate, depending on the wiring method used.
4. Install front panel by sliding top of panel into channel in upper case. Swing panel bottom in and down to engage channel in lower case.

HUMIDISTAT

1. Set the knob to the lowest outdoor temperature expected for a 24-hour period. Because of differences in house construction, you may want to try a higher or lower setting to achieve proper humidity (Fig 26).

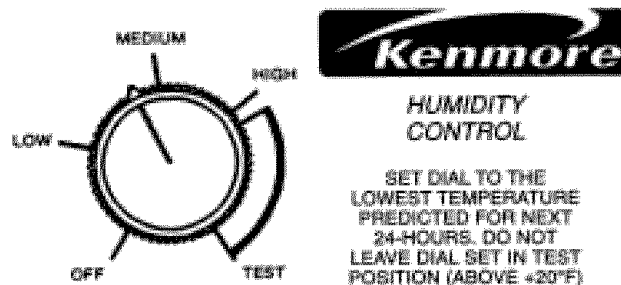




Fig. 26

2. Change the knob settings as outdoor temperature changes occur.

WARNING: Do not leave the knob in the in the “TEST” position above “+20” or the humidifier will run constantly.

If sweating of windows or walls occurs:

1. Check the indicator setting. The indicator should point to the number that represents the lowest expected 24-hour outdoor temperature. Wait 24 hours before changing the indicator setting.
2. If the indicator setting in Step 1 is correct, and conditions have not changed, rotate the knob back and forth from the “TEST” to minimum humidity setting. If the humidifier goes on and off, the control is operating properly.
3. Remember, to increase the indoor relative humidity, turn the indicator clockwise . To decrease indoor relative humidity, turn counter-clockwise .

NOTE: Because of differences in home construction, the number of occupants, and living habits in some homes, when the anticipated 24-hour lowest outdoor temperature is, for example, +10°F, your ideal humidistat setting may be the low position.

MAINTENANCE

Your humidifier will maintain its efficiency for a long period of time. If it is not serviced, damage may result. **Service it every month. Follow instructions below. Since water conditions vary, it may be necessary to service either more or less often. Establish your own servicing schedule.**

REGULAR MAINTENANCE

1. Turn off electricity at the fuse box.
2. Disconnect the water supply tubing at the quick disconnect. The water will automatically shut off.
3. Remove the drain line (if used) and catch any water with a pail.
4. **Front Service** (preferred):

Remove the front panel, disengage the media motor electrical disconnect, remove the overflow tubing, slide out the reservoir and media wheel assembly.

5. **Bottom Service** (only if insufficient space in front):

Remove the front panel, disengage the media motor electrical disconnect, remove the overflow tubing, remove the lower rod screw, unlatch and remove the lower case and slide out the reservoir and media wheel assembly.

Use care when removing either the reservoir assembly or the lower case and reservoir assembly since the reservoir is filled with water.

6. Remove the media motor and panel assembly by releasing the clip and sliding the assembly upward from the reservoir divider. Slide the reservoir divider upward from the reservoir and remove.
7. Empty the water from the reservoir.
8. Rinse and clean the reservoir, media, media wheel, and reservoir divider after removing any lime buildup. Detergent such as vinegar or Sears All-Purpose Humidifier Cleaner (Stock No. 42-14713) may be used to loosen lime deposits.

NOTE: To aid in future cleaning, an optional accessory Reservoir Liner may be purchased through the Sears Parts Department; call 1-800-4-MY-HOME to order Part No. 215682-01 (see Exploded View, Page 17). The liner may be flexed to aid in loosening accumulated lime buildup.

CAUTION: Do not put parts in a dishwashing machine. The high temperature in the washer may damage parts. Handle all parts carefully. Be careful that no water or cleaner enters the motor or electrical parts.

9. Deposits will form on the media pad. Unless the deposits are light and the pad can be cleaned, it must be replaced. Replacement pads are available from Sears (Stock No. 42-9336).
10. If the reservoir has been overflowing, the float valve button may be worn. In normal operation, this button will eventually erode much like a faucet washer. Remove the float valve button, turn it over, and reinsert. Replacement buttons are available by calling the Sears Parts Department; call 1-800-4-MY-HOME.
11. Reassemble the media pad in the media wheel. Replace the reservoir, divider, media wheel, media motor, and panel assembly. Engage panel clip.
12. Reassemble humidifier in the following manner:

A. **Front Service:**

Slide the reservoir and media wheel assembly into the humidifier, engage the media motor electrical disconnect, attach the overflow tubing, connect the water supply tubing.

B. **Bottom Service:**

Slide the reservoir assembly into the lower case, attach the lower case assembly to the humidifier (make certain side latches are secured), engage the media motor electrical disconnect, attach the overflow tubing and water supply tubing. Reinstall lower rod screw.

13. Connect the water supply tubing at the quick disconnect and allow the reservoir to fill. Check the water level, adjust the float if required, and reinstall the front cover.
14. Turn on the electricity at the fuse box, push the humidifier switch to "ON" and turn the humidistat to the "TEST" position to check the humidifier operation. The furnace may have to be running for the humidifier to operate, depending on electrical connection. Set the humidistat according to the outdoor temperature as instructed on label.

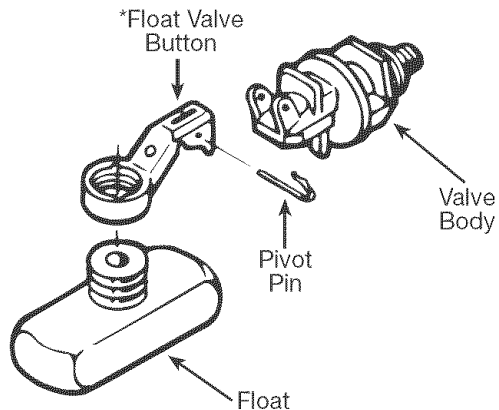
CAUTION: Do not leave in "TEST" position.

MAINTENANCE STICKER

It is suggested that you apply the Kenmore 303.93806 Furnace Humidifier Maintenance instructions sticker to either the return air plenum or a place in which they will be easily seen. These instructions provide a quick reference for typical maintenance that may be needed on this product.

ADJUSTING THE FLOAT

1. Disconnect the water supply at quick disconnect.
2. Remove the float and float arm by pulling out the float pivot pin (Fig. 27).



*Reverse button if it has not been used.
Replace with new button if both sides are worn.

Fig. 27

3. Raise the water level by rotating the float clockwise. Rotate the float counter-clockwise to lower the water level. (one complete turn will change the water level 1/8".)
4. Turn the humidifier power switch OFF.
5. Disconnect the media motor electrical disconnect.
6. Remove the reservoir and detach the clip.
7. Remove the media motor panel and media wheel.
8. Remove the reservoir divider. Pour the water from the reservoir into a suitable container.
9. Reassemble the humidifier. Reconnect the water supply and recheck the water level.

SERVICING THE FLOAT

If the humidifier has been overflowing, the float valve button may be worn. This button will wear much like a faucet washer.

To service:

1. Turn off the water at the saddle valve.
2. Disconnect the water line at the humidifier.
3. Remove the float from the humidifier (pull out pivot pin).
4. Remove the float valve button and turn it over or, replace it if both surfaces are worn, as shown in Fig. 27.
5. Reinstall and turn on the water and test the float.

CAUTION: Do not use tablets in an attempt to control lime deposits in this humidifier! Use of tablets may cause the humidifier to splash causing damage to the humidifier or furnace.

IF AIR IS TOO DRY (AND WINDOWS ARE NOT SWEATING):

1. Wait until the furnace blower comes on. Then rotate humidistat knob back and forth from TEST to the OFF humidity setting. If the humidifier goes on and off, the humidistat is operating properly. Check for proper operation of the humidifier.
2. If the humidifier is off when furnace blower is on, readjust the humidistat by turning the knob so the indicator points to the setting for the lowest 24-hour temperature predicted.

IF SWEATING OF WINDOWS OR WALLS OCCURS:

1. Press the switch on the humidifier to the OFF position. When moisture is no longer present, set the humidistat indicator to the setting for the lowest anticipated 24-hour outdoor temperature. Switch the humidifier to the ON position.
2. If sweating reoccurs, repeat Step 1, allowing for an additional 10°F lower setting of the outdoor temperature than anticipated in the next 24 hours. Continue this procedure until the humidity level is stabilized.

NOTE: Because of differences in home construction, the number of occupants, and living habits in some homes, when the anticipated 24-hour lowest outdoor temperature is, for example, +10°F, your ideal humidistat setting may be the low position.

SUMMER SHUTDOWN

Refer to the following when shutting down your humidifier for the summer:

- Turn the humidistat dial counter-clockwise to the minimum setting position.
- Push the switch to "OFF" and close the saddle valve.
- Clean as instructed above but leave the reservoir empty.
- As a reminder, you might want to put a tag or sticker on the unit indicating it has been shut down for the summer and will require start-up in the fall

FALL START UP

- Push the switch to "ON," and open the saddle valve.
- Set the humidistat in the "TEST" position.
- Check for proper water level and media wheel operation.
- Set the humidistat according to the outdoor temperature as instructed on Operation Instruction label. The unit is back in operation.

CAUTION: Do not leave in "TEST" position.

TROUBLESHOOTING

Frequently, what seems to be a major problem can be solved very easily. Listed below are the common concerns with any humidifier.

Check the simple things first. Remove the front panel and see if there is a crusty, white lime buildup on the

media pad. The lime buildup won't hurt the humidifier, but will reduce its output. Low output might just mean your humidifier needs cleaning. While you're checking for lime buildup, look to see if the media wheel is turning. If not, check the power supply.

PROBLEM	CHECK	CORRECTION
Too Little Humidity	<ol style="list-style-type: none"> 1. If humidifier needs cleaning 2. If media wheel is rotating 3. Humidistat setting 4. If not enough water is going to unit 5. If there is excessive air loss in house 6. If water level is correct 	<ol style="list-style-type: none"> 1. Clean humidifier and clean or replace media pad 2. <ol style="list-style-type: none"> a. Clean or replace media pad b. Inspect main fuse or circuit breaker c. Check to see if media motor gear is rotating and engaged with media wheel gear d. Check if humidistat setting is too low; turn knob clockwise to increase humidity 3. Set for proper outdoor temperature – lowest expected temperature for a 24-hour period 4. Turn on saddle valve and check for possible obstruction in water line. Is water supply connected? 5. Close fireplace damper, seal around doors and windows 6. Adjust float
Too Much Humidity	<ol style="list-style-type: none"> 1. Humidistat setting 2. For other humidification sources 	<ol style="list-style-type: none"> 1. Turn knob counter-clockwise to decrease humidity 2. May be a temporary condition caused by moisture from laundering, bathing, cooking, etc.
Humidifier Overflows	<ol style="list-style-type: none"> 1. Is the humidifier level? 2. Is the float valve button worn? 	<ol style="list-style-type: none"> 1. Level unit 2. Remove the float valve button and turn it over or, replace if both surfaces are worn, as shown in Fig. 27
Humidifier Making Noise	<ol style="list-style-type: none"> 1. Mounting or plenum 2. Water pressure 3. Media Wheel 4. Blower Motor 	<ol style="list-style-type: none"> 1. Tighten all fasteners 2. A slight sound is normal as water enters humidifier 3. Check clearance of media wheel in reservoir 4. Loosen mounting nuts on rubber grommets so they are just flush with mounting studs
Humidifier Motor Comes On When Furnace Isn't Running	<p>This is a normal condition</p> <ol style="list-style-type: none"> 1. If heating season is over 2. If heating season is just starting 	<ol style="list-style-type: none"> 1. Turn knob on humidistat to minimum setting 2. This is a normal condition since humidistat is controlling humidifier

REPAIR PARTS

KENMORE "3000" CENTRAL HUMIDIFIER MODEL NO. 303.9380612

KEY NO.	PART NO.	DESCRIPTION	KEY NO.	PART NO.	DESCRIPTION
1	21567101	Plenum Stiffener	25	03029401	Locknut
2	STD 610803	Screw (11 Req.) (No. 8A x 3/8" Slotted)	26	21569101	Float Valve Body
3	21568601	Upper Case	27	28110201	Pivot Pin
4	21595401	Rod	28	22513801	Float Arm
5	28126101	Switch	29	28110101	Float Valve Button (1 Req.)
6	21568301	Switch Plate	30	42063901	Float
7	21572501	Conduit Box	31	21568101	Reservoir
8	STD 541010	Nut (2 Req.) (No. 10-24)	32	STD 575026	Brass Compression Sleeve 1/4"
9	030060-04	Screw (Ground) (No. 10-24 x 1/4" Hex & Slotted Head)	33	35586301	Lower Case
10	28112004	Strain Relief	34	21591001	Reservoir Divider Assy. (Includes Key Nos. 35 & 36)
11	STD 511003	Screw (No. 10-24 x 3/8" Cross Recess)	35	21590701	Panel Clip
12	22515601	Conduit Box Cover	36	21567702	Reservoir Divider
13	STD 610803	Screw (2 Req.) (No. 8B x 3/8" Cross Recess)	37	35586101	Media Wheel & Gear (Includes Key No. 39)
14	21570101	Front Panel	38	35569203	Media Pad (42-9336)
15	35561801	Saddle Valve (Includes Key Nos. 23 & 32)	39	21575001	Clip (3 Req.)
16	21582703	Plastic Supply Tubing (1/4" x 10 ft.)	40	35587001	Blower Wheel
17	STD 541006	Nut (2 Req.) (No. 6-32)	41	03013712	(Nut (4 Req.) (No. 8-32)
18	21568401	Media Motor Panel	42	28084602	Grommet (4 Req.)
19	35585901	Media Motor (Includes Key Nos. 17 & 20)	43	28108701	Eyelet
20	STD 510603	Screw (2 Req.) (No. 6-32 x 3/8" Cross Recess)	44	21569801	Fan Blade
21	21572701	Plug, Quick Disconnect	45	35586201	Blower Motor (Includes Key No. 44)
22	21586101	Socket, Quick Disconnect	46	STD 375005	Wire Nut (2 Req.)
23	STD 575025	Brass Compression Nut	47	03021303	Capped Fastener
24	35561102	Float Valve (Includes Key Nos. 25 - 30)	48	21551001	Wire Clip
			49	28154601	Wire Harness
			50	41067501	Brass Insert (2 Req.)
			51	03028603	Screw (2 Req.)
			52	21568201	Optional Accessory Reservoir Liner
			*	21595801	Owner's Manual
			*	21593601	Humidistat

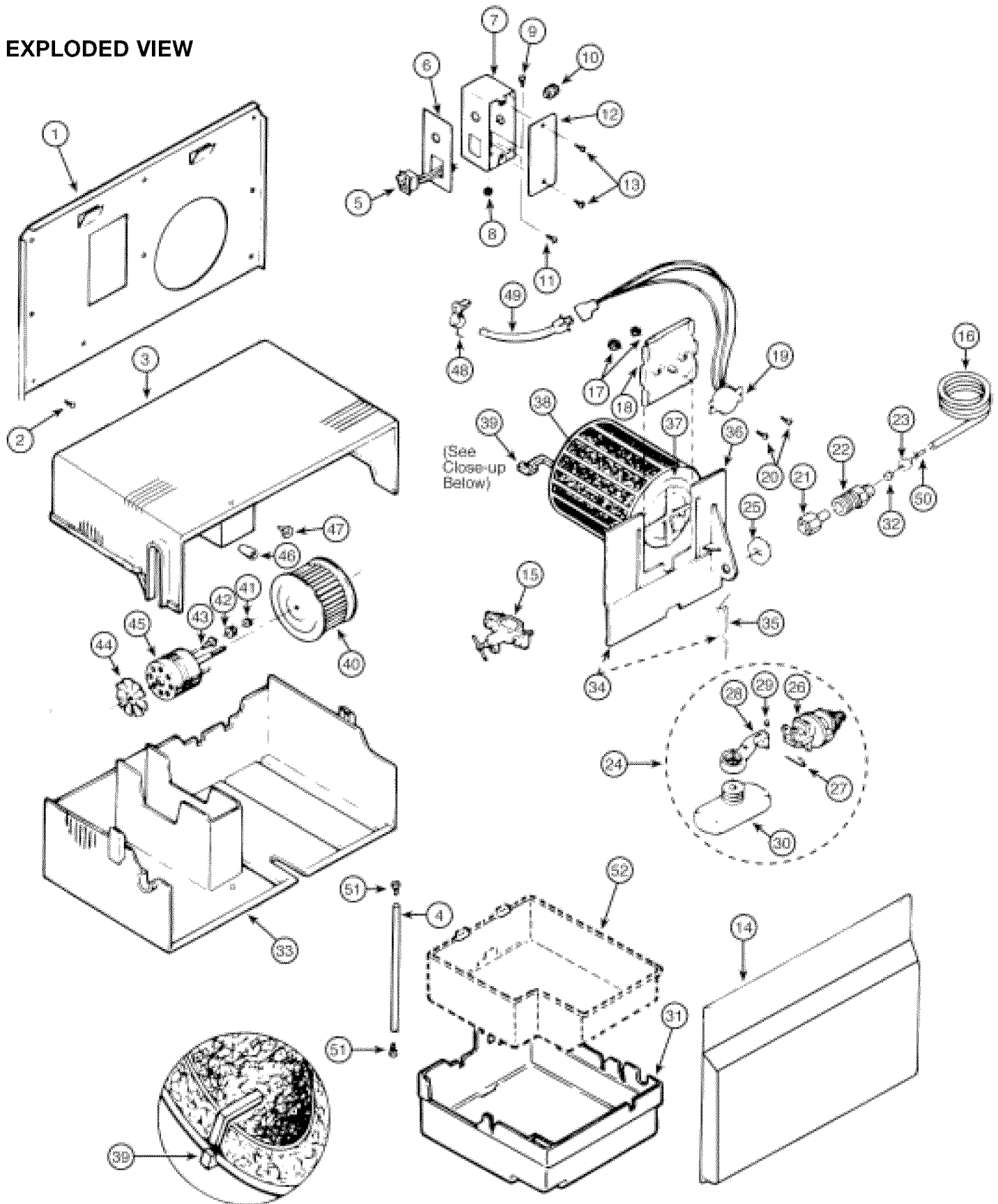
THIS IS A PARTS LIST, NOT A PACKING LIST.

*Not Shown

REPAIR PARTS

KENMORE "3000" CENTRAL HUMIDIFIER
MODEL NO. 303.9380612

EXPLODED VIEW



Get it fixed, at your home or ours!

Your Home

For repair – **in your home** – of **all** major brand appliances, lawn and garden equipment, or heating and cooling systems, **no matter who made it, no matter who sold it!**

For the replacement parts, accessories and owner's manuals that you need to do-it-yourself.

For Sears professional installation of home appliances and items like garage door openers and water heaters.

1-800-4-MY-HOME® (1-800-469-4663)

Call anytime, day or night (U.S.A. and Canada)

www.sears.com www.sears.ca

Our Home

For repair of carry-in items like vacuums, lawn equipment, and electronics, call or go on-line for the location of your nearest

Sears Parts & Repair Center.

1-800-488-1222

Call anytime, day or night (U.S.A. only)

www.sears.com

To purchase a protection agreement (U.S.A.) or maintenance agreement (Canada) on a product serviced by Sears:

1-800-827-6655 (U.S.A.)

1-800-361-6665 (Canada)

Para pedir servicio de reparación a domicilio, y para ordenar piezas:

1-888-SU-HOGARSM

(1-888-784-6427)

Au Canada pour service en français:

1-800-LE-FOYER^{MC}

(1-800-533-6937)

www.sears.ca

SEARS

© Registered Trademark / TM Trademark / SM Service Mark of Sears, Roebuck and Co.

© Marca Registrada / TM Marca de Fábrica / SM Marca de Servicio de Sears, Roebuck and Co.

^{MC} Marque de commerce / ^{MD} Marque déposée de Sears, Roebuck and Co.

© Sears, Roebuck and Co.

Free Manuals Download Website

<http://myh66.com>

<http://usermanuals.us>

<http://www.somanuals.com>

<http://www.4manuals.cc>

<http://www.manual-lib.com>

<http://www.404manual.com>

<http://www.luxmanual.com>

<http://aubethermostatmanual.com>

Golf course search by state

<http://golfingnear.com>

Email search by domain

<http://emailbydomain.com>

Auto manuals search

<http://auto.somanuals.com>

TV manuals search

<http://tv.somanuals.com>