

Kenmore

**installation instructions
owners manual and repair parts list**

Kenmore **GLIDE AWAY RANGE HOOD**

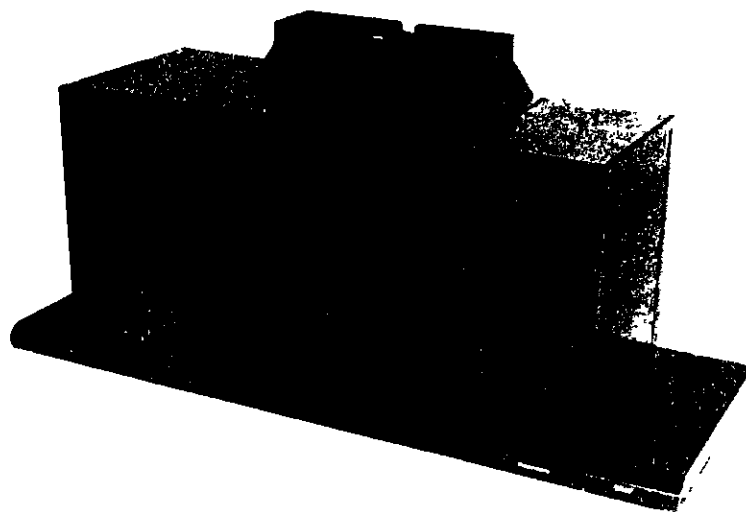
MODEL NUMBER

233.5998892

233.5998811

IMPORTANT Read instructions
carefully for safe installation and
operation

**SAVE THIS MANUAL FOR
FUTURE REFERENCE**



Kenmore. Solid as SEARS
Sold by Sears, Roebuck and Co., Chicago, IL 60684

Cleaning

WARNING

ALWAYS DISCONNECT ELECTRIC POWER SUPPLY BEFORE SERVICING HOOD.

Use a mild detergent suitable for painted surfaces. **DO NOT USE ABRASIVE CLOTH, STEEL WOOL PADS, OR SCOURING POWDERS.** Vacuum blower to clean. Do not immerse blower in water.

Wash the foam filter in a mild detergent solution.

The glass drawer assembly and light lens are easily removable for cleaning:

See Step 13 on page 4 for removal of glass drawer assembly. **DO NOT** clean in a dishwasher.

Remove the light lens by opening the filter panel (Step 6, page 2) and rotating the 2 metal clips holding the lens in place.

Light Bulb Replacement

Your hood uses a 24" long F20T12 fluorescent tube and an FS-2 starter, which are available at most hardware stores or home centers.

To check or replace tube: 1) Pull drawer out. 2) Rotate filter panel clips and lower filter panel.

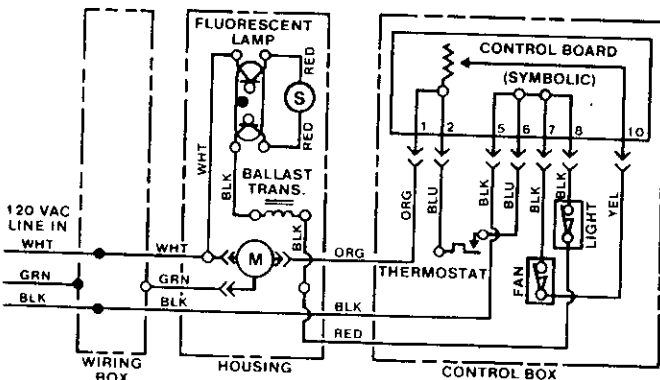
If the tube flickers or does not light, check the prongs on the ends of the tube to make sure they are properly seated in the tube holders.

If the tube continues to flicker or does not light, replace the tube. Slide the tube into the holders and rotate the tube so that the prongs in the holders grip the tube and hold it in place.

If the ends of the tube light but the center does not, the starter may require replacement. The starter is located behind the filter panel on the right hand side. Install the new starter by pushing the starter in and turning it clockwise.

If the tube still does not light, order a 99270651 Ballast Transformer available through Sears stores.

WIRING DIAGRAM



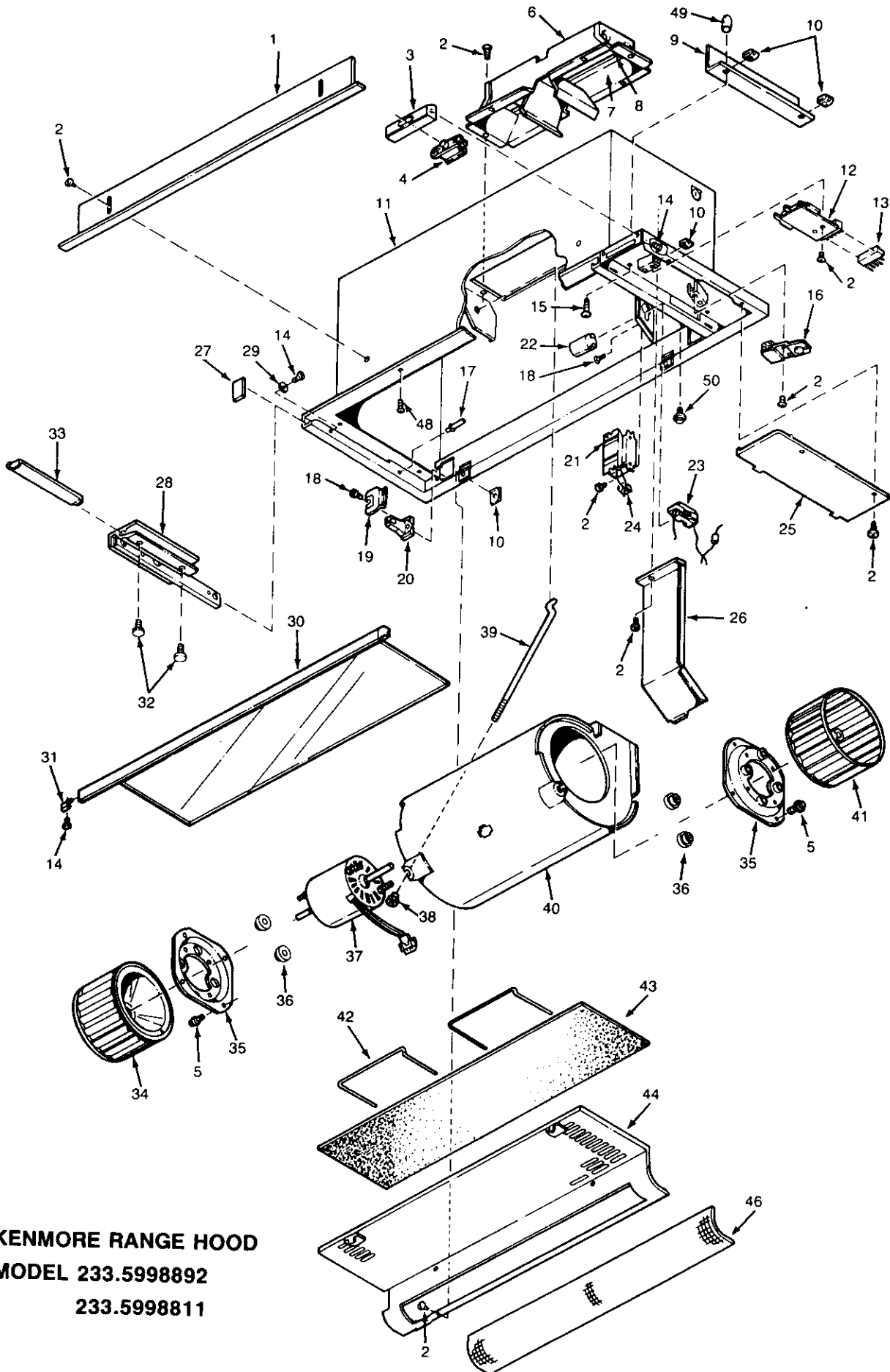
SERVICE PARTS

**Kenmore Range Hood - Model 233.5998892 Black
Model 233.5998811 White**

KEY NO.	BLACK PART NO.	WHITE PART NO.	DESCRIPTION
1	98006940	98007168	Front Trim
2	99150526	99150478	Screw #8-18 x 3/8 (14 Required)*
3	99090677	99090697	Control Trim
4	99360133	99360140	Control Knob
5	99170245	99170245	Screw #8-18 x 3/8 (8 Required)*
6	97006078	97006078	Damper Assembly (Includes Key Nos. 7 & 8)
7	98005221	98005221	Damper Flap
8	99100379	99100379	Damper Bushing
9	97008644	97008981	RH Mounting Bracket (Includes Key No. 10)
**	97008641	97008982	LH Mounting Bracket (Includes Key No. 10)
10	93260454	93260454	#8 Sheet Metal Nut "U" Type (11 Required)
11	97011874	97011873	Canopy
12	97008578	97008578	Control Board
13	97008618	97008618	Control Harness
14	99160344	99160344	Screw #8-32 x 3/16 (5 Required)*
15	99150538	99150538	Screw #8-18 x 2 (4 Required)*
**	99150537	99150537	Screw #8-18 x 1 (4 Required)*
16	97008594	97008594	Switch Assembly
17	99230345	99230342	Rivet (13 Required)
18	99160319	99160319	Screw #6-32 x 3/8 (4 Required)*
19	98005860	98005860	Lampholder Bracket (2 Required)
20	99270550	99270550	Lampholder (2 Required)
21	99270651	99270651	Ballast Transformer
22	99270553	99270553	Starter FS-2*
23	97008619	97008619	Light Harness
24	99400042	99400042	Strain Relief Bushing SR-4N-4 (2 Required)
25	98006937	98007164	Access Cover
26	98006938	98006938	Wire Box Cover
27	99100463	99100463	Drawer Stop (2 Required)
28	97008971	97008979	LH Drawer Bracket Assembly (Includes Key Nos. 32 & 33)
**	97008970	97008978	RH Drawer Bracket Assembly (Includes Key Nos. 32 & 33)
29	99250932	99250932	Washer (2 Required)*
30	97009057	97009117	Drawer Assembly (Includes Key Nos. 14 & 31)
31	99110683	99110699	Drawer End Cap
32	99420508	99420514	Thumb Screw (4 Required)
33	98007155	98007155	Drawer Clamp (2 Required)
34	99020139	99020139	Blower Wheel, Counterclockwise
35	98005212	98005212	Motor Retaining Ring (2 Required)
36	99100491	99100491	Rubber Motor Mount (4 Required)
37	99080359	99080359	Motor
38	99260476	99260476	Blower Mounting Rod Nut (2 Required)
39	99420464	99420464	Blower Mounting Rod (2 Required)
40	97007314	97007314	Blower Scroll Housing
41	99020138	99020138	Blower Wheel, Clockwise
42	99140156	99140156	Filter Spring (2 Required)
43	99010175	99010175	Filter Foam
44	97011138	97011139	Filter Panel
46	99050018	99050018	Light Lens
48	99150492	99150492	Screw #8-18 x 1/2 (2 Required)*
49	99100408	99100464	Plastic Cap (4 Required)
50	99150471	99150471	Screw #10-32 x 1/2 Green (2 Required)
**	97008628	97008628	Green Wire Assembly
**	97005985	97005985	Complete Blower Assembly (Includes Key Nos. 5, 34, 35, 36, 37, 40, 41)
**	99041399	99041399	Fluorescent Light Tube F20T12* (Not Included)
**			Instruction Book

*Standard Hardware. May be purchased locally.

**Not Illustrated.



KENMORE RANGE HOOD
MODEL 233.5998892
233.5998811

Free Manuals Download Website

<http://myh66.com>

<http://usermanuals.us>

<http://www.somanuals.com>

<http://www.4manuals.cc>

<http://www.manual-lib.com>

<http://www.404manual.com>

<http://www.luxmanual.com>

<http://aubethermostatmanual.com>

Golf course search by state

<http://golfingnear.com>

Email search by domain

<http://emailbydomain.com>

Auto manuals search

<http://auto.somanuals.com>

TV manuals search

<http://tv.somanuals.com>